



---

## SERVICE SHEETS

---

### RIDE-ON POWER TROWEL

Model FP836



 **WARNING**

To reduce the risk of injury, all operators and maintenance personnel must read and understand these instructions before operating, changing accessories, or performing maintenance on this power equipment. All possible situations cannot be covered in these instructions. Care must be exercised by everyone using, maintaining or working near this equipment.

## TABLE OF CONTENTS

	Page
Gearbox, Yoke Arm & Spider Plate Assembly.....	1
Steering Transmission Assembly.....	5
Frame, Guards & Tanks Assembly.....	8
Blade Transmission & Adjustment Assembly.....	10
Engine & Transmission Assembly.....	12
Water & Fuel Lines Assembly .....	14
Throttle Control & Safety Stop Switch Assembly.....	14
Contact Information.....	17

## SPECIFICATION

Part Number	F03836
Model	FP836
Path	78" (1980mm)
Engine	Honda GX670, 24hp (17.9kW)
Blade Speed:	140rpm
Travel Speed	380ft/min (116m/min)
Fuel Capacity	3 gal (11.4 litres)
Estimate Running Time	3 hours
Weight	330kg
Sound Level	105DbA
Vibration	<2.5m/s <sup>2</sup>



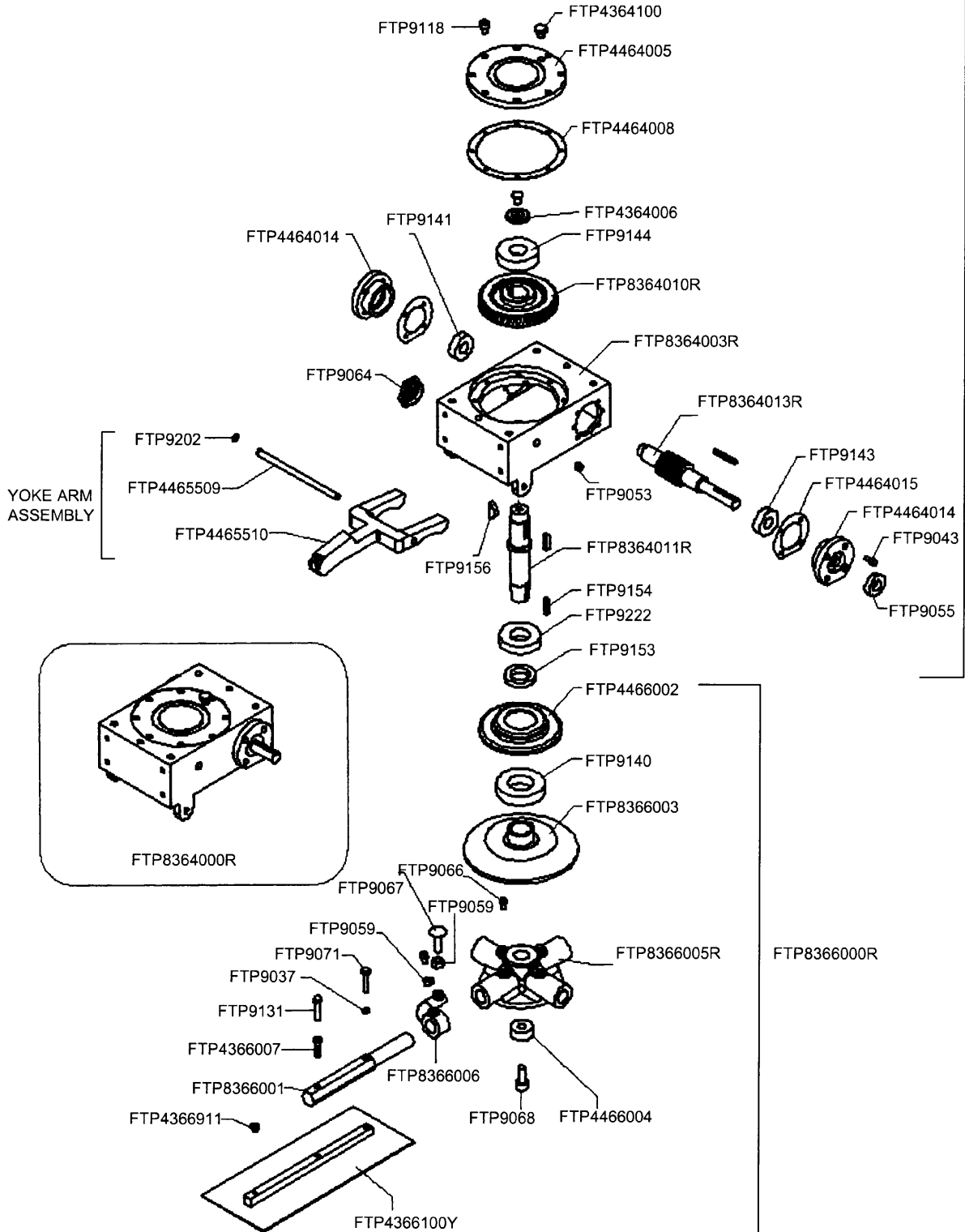
**Flextool**

SERVICE SHEET F03835 ISSUE 170507

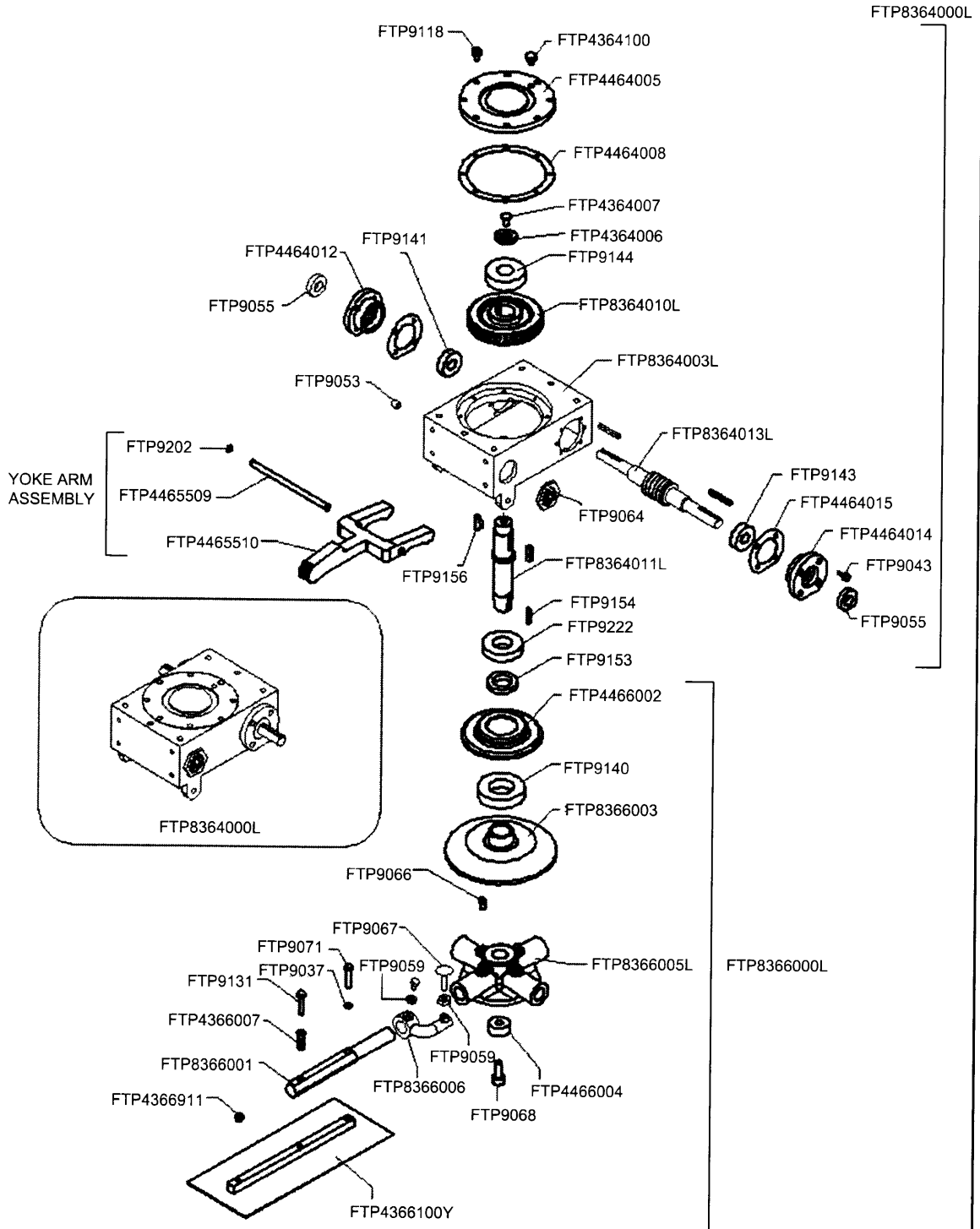
RIDE-ON POWER TROWEL  
MODEL FP836

PART NO.  
F03836

FTP8364000R



GEAR BOX AND SPIDER PLATE ASSEMBLY (FUEL TANK SIDE)



GEAR BOX AND SPIDER PLATE ASSEMBLY (ENGINE SIDE)



# Flextool

SERVICE SHEET F03835 ISSUE 160507

## RIDE-ON POWER TROWEL FP836 PARTS LIST

**PART NO.  
F03836**

ITEM NO.	PART NO.	DESCRIPTION	QUANTITY
<b>GEAR BOX &amp; SPIDER PLATE ASSEMBLIES</b>			
	<b>FTP8364000L</b>	<b>GEAR BOX ASSY.</b>	<b>1</b>
	<b>FTP8364000R</b>	<b>GEAR BOX ASSY.</b>	<b>1</b>
1	FTP8364003L	GEAR BOX BODY (LEFT)	1
2	FTP8364003R	GEAR BOX BODY (RIGHT)	1
3	FTP4464005	COVER	2
4	FTP4364006	PRESSURE RING	2
5	FTP4364007	BOLT (LEFT)	1
6	FTP4364100	RELEASE VALVE	2
7	FTP4464008	WASHER	2
8	FTP8364010L	WORM GEAR(LEFT)	1
9	FTP8364010R	WORM GEAR(RIGHT)	1
10	FTP8364011L	WORM GEAR SHAFT(LEFT)	1
11	FTP8364011R	WORM GEAR SHAFT(RIGHT)	1
12	FTP4464012	BEARING BASE(LEFT)	2
13	FTP8364013R	SHAFT(RIGHT)	1
14	FTP8364013L	SHAFT(LEFT)	1
15	FTP4464014	BEARING BASE(RIGHT)	1
16	FTP8364014	BEARING BASE	1
17	FTP4464015	WASHER	4
18	FTP9530	SCREW	1
19	FTP9043	SCREW	24
20	FTP9118	SCREW	16
21	FTP9143	BEARING	2
22	FTP9141	BEARING	2
23	FTP9064	WINDOW SCREW	2
24	FTP9055	SEAL	3
25	FTP9152	O-RING	4
26	FTP9531	KEY	2
27	FTP9222	BEARING	2
28	FTP9144	BEARING	2
29	FTP9153	SEAL	2
30	FTP9154	KEY	2
31	FTP9156	KEY	2
32	FTP9053	SCREW PLUG	4
33	FTP9532	KEY	3
	<b>FTP8366000L</b>	<b>SPIDER PLATE ASSY.</b>	<b>1</b>
	<b>FTP8366000R</b>	<b>SPIDER PLATE ASSY.</b>	<b>1</b>
1	FTP8366001	BLADE SHAFT	8
2	FTP4466002	PLATE COVER	2
3	FTP4466003	PRESSURE PLATE	2
4	FTP8366005(L)	SPIDER PLATE(LEFT)	1
5	FTP8366005(R)	SPIDER PLATE(RIGHT)	1
6	FTP4466004	WASHER	2
7	FTP4466006	ANGLE ARM	4



# Flextool

SERVICE SHEET F03835 ISSUE 160507

## RIDE-ON POWER TROWEL FP836 PARTS LIST

**PART NO.  
F03836**

ITEM NO.	PART NO.	DESCRIPTION	QUANTITY
8	FTP8366006	ANGLE ARM(OTHER SIDE)	4
9	FTP4366100Y	BLADE SET (IMPERIAL)	8
10	FTP9540	SCREW	8
11	FTP9066	SCREW	8
12	FTP9037	SPRING WASHER	16
13	FTP9059	NUT	16
14	FTP9067	SCREW	8
15	FTP9068	SCREW	2
16	FTP9069	GREASE CAP	8
17	FTP9140	BEARING	2
18	FTP9046	SPRING WASHER	8
19	FTP9071	BOLT	16
20	FTP9040	BOLT	16
21	FTP9131	BOLT	4
22	FTP4366007	BOLT	4
23	FTP4366911	SCREW	8
		<b>YOKE ARM ASSEMBLY</b>	<b>2</b>
1	FTP4465509	YOKE ARM SHAFT	2
2	FTP4465510	YOKE ARM	2
3	FTP9202	RING	4

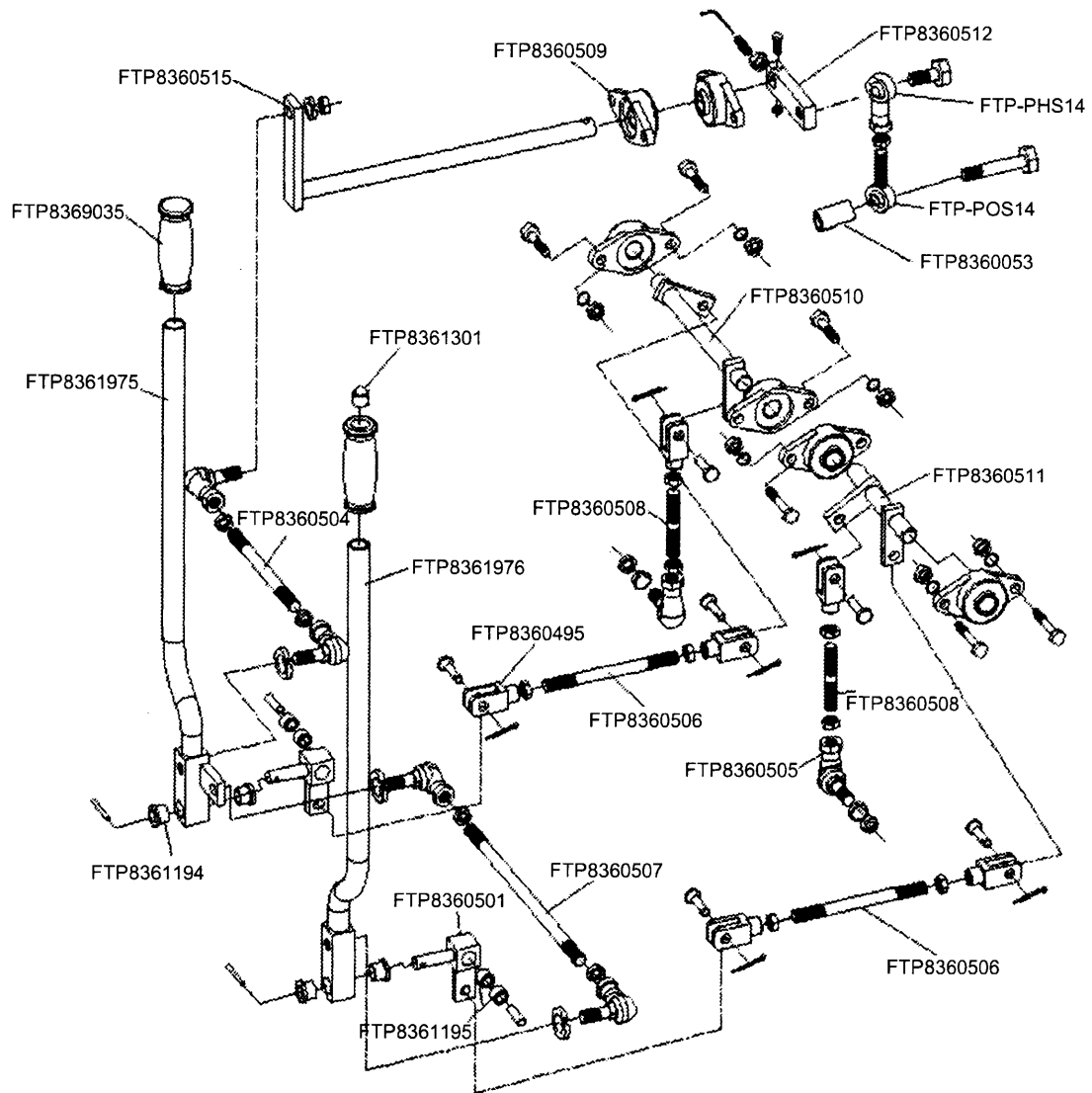


**Flextool**

SERVICE SHEET F03835 ISSUE 170507

RIDE-ON POWER TROWEL  
MODEL FP836

PART NO.  
F03836



STEERING TRANSMISSION ASSEMBLIES



SERVICE SHEET F03835 ISSUE 160507

**RIDE-ON POWER TROWEL  
FP836 PARTS LIST**

**PART NO.  
F03836**

ITEM NO.	PART NO.	DESCRIPTION	QUANTITY
<b>STEERING TRANSMISSION ASSEMBLY</b>			
1	FTP8361975	STEERING ASSEMBLY(LEFT)	1
2	FTP8361975A	HANDLE BASE(RIGHT)	1
3	FTP8361975B	HANDLE CONNECTION PLATE	1
4	FTP8361975C	HANDLE ASSEMBLY(LEFT)	1
5	FTP8361976	STEERING ASSEMBLY(RIGHT)	1
6	FTP8361976A	HANDLE BASE (LEFT)	1
7	FTP8361976C	HANDLE ASSEMBLY(RIGHT)	1
8	FTP8361975C1	HANDLE CONNECTOR(LEFT)	1
9	FTP8361976C1	HANDLE CONNECTOR(RIGHT)	1
10	FTP8361194	BUSHING	4
11	FTP8360515	MOVING SHAFT	1
12	FTP8360515A	MOVING SHAFT PLATE	1
13	FTP8360515B	MOVING SHAFT CONNECTOR	1
14	FTP8360512	ROTARY PLATE	1
15	FTP8360501	T-SHAFT ASSEMBLY	2
16	FTP8360501A	T-SHAFT HEAD	2
17	FTP8360501B	T-SHAFT CONNECTOR	2
18	FTP8361195	SHAFT BUSHING	4
19	FTP8360495	FORK CONNECTOR	6
20	FTP8360506	SCREW	2
21	FTP8360507	SCREW	1
22	FTP8360504	SCREW	1
23	FTP8360508	SCREW	2
24	FTP-POS14	CONNECTOR	1
25	FTP-PHS14	CONNECTOR	1
26	FTP8360511	SHORT SHAFT CONNECTOR	1
27	FTP8360511A	SHORT SHAFT	1
28	FTP8360510	LONG SHAFT CONNECTOR	1
29	FTP8360510A	LONG SHAFT	1
30	FTP8360510B	LONG SHAFT CONNECTOR	1
31	FTP8360053	GUIDE CONNECTOR	1
32	FTP8360509	BEARING	6
33	FTP8360505	SCREW END BEARING	6
34	FTP9500	SCREW HEAD BEARING	1
35	FTP9501	SCREW HEAD BEARING	1
36	FTP9030	LOCKING PIN	2
37	FTP9502	OIL CUP	2
38	FTP9503	NUT	4
39	FTP9504	SPRING WASHER	9
40	FTP9505	PIN SHAFT	6
41	FTP9506	LOCK	6
42	FTP9226	SCREW	2
43	FTP9507	BOLT	10
44	FTP9508	PLATE WASHER	12
45	FTP9509	SPRING WASHER	12





SERVICE SHEET F03835 ISSUE 160507

**RIDE-ON POWER TROWEL  
FP836 PARTS LIST**

**PART NO.  
F03836**

ITEM NO.	PART NO.	DESCRIPTION	QUANTITY
46	FTP9510	PIN	2
47	FTP9040	BOLT	1
48	FTP9036	NUT	2
49	FTP9037	SPRING WASHER	1
50	FTP9511	BOLT	2
51	FTP9512	BOLT	1
52	FTP8369035	PLASTIC COVER	2
53	FTP9259	LOCK NUT	12
54	FTP9513	LOCK NUT	1
55	FTP9514	PLATE NUT	13
56	FTP9068	BOLT	2



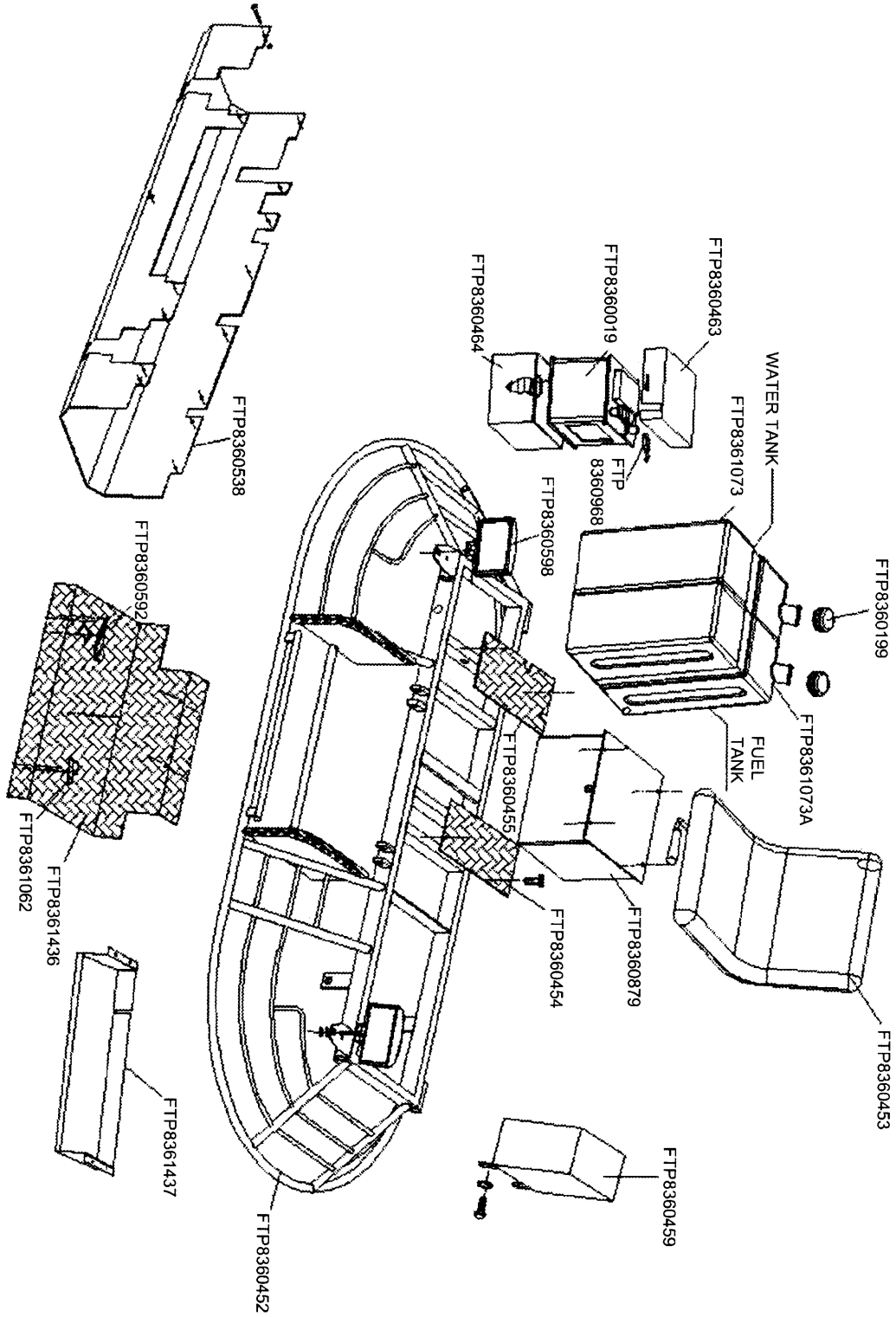
**Flextool**

SERVICE SHEET F03835 ISSUE 170507

RIDE-ON POWER TROWEL  
MODEL FP836

PART NO.  
F03836

FRAME, GUARD & TANK ASSEMBLIES





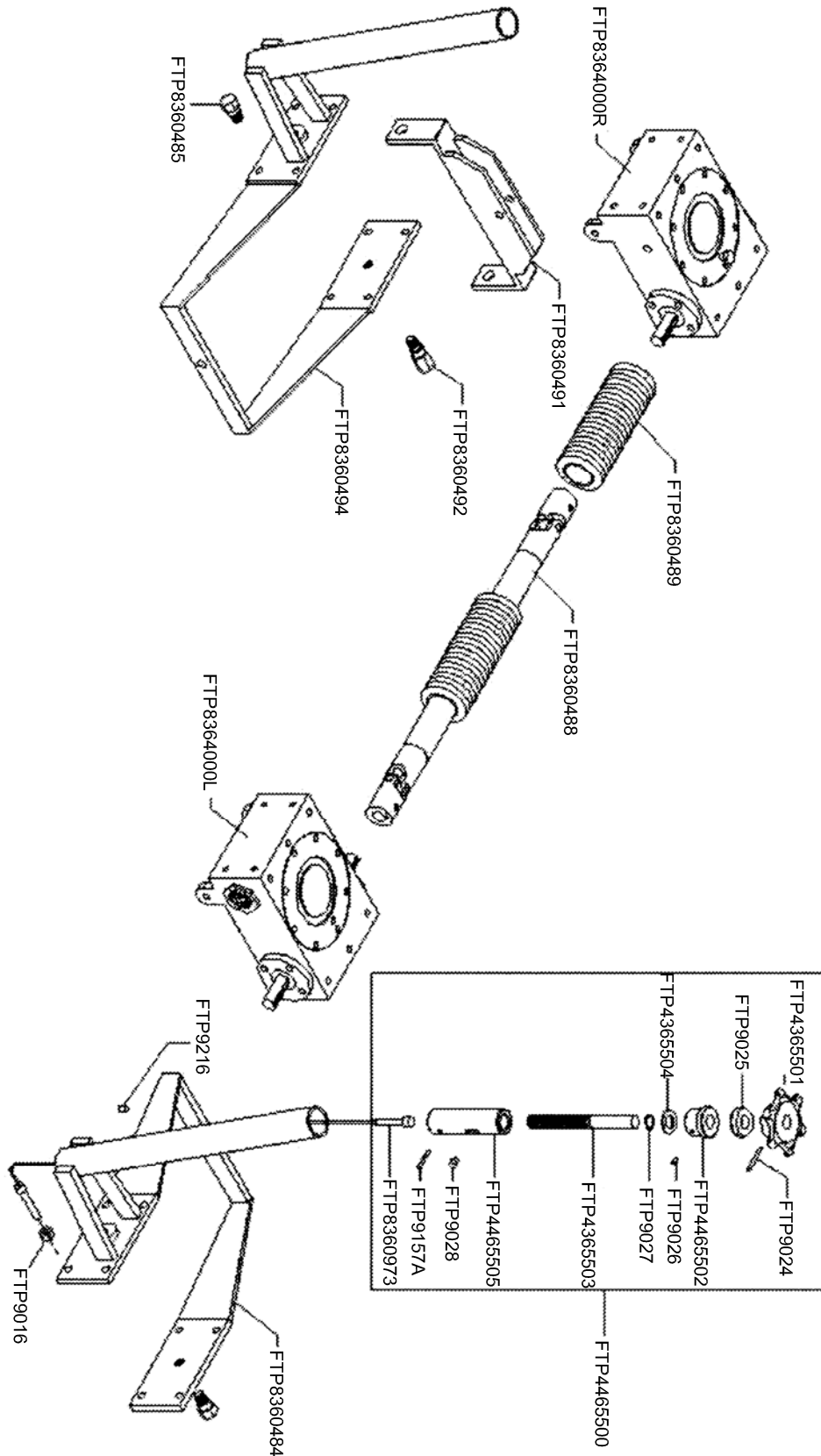
# Flextool

SERVICE SHEET F03835 ISSUE 160507

## RIDE-ON POWER TROWEL FP836 PARTS LIST

PART NO.  
F03836

ITEM NO.	PART NO.	DESCRIPTION	QUANTITY
<b>FRAME, GUARD &amp; TANK ASSEMBLIES</b>			
1	FTP8360452	GUARD RING	1
2	FTP8360452D7	WATER PIPE	1
3	FTP8360453	CHAIR	1
4	FTP8360879	CHAIR BASE	1
5	FTP8360538	GUARD RING COVER	1
6	FTP8360538A	END PLATE - GUARD RING COVER	2
7	FTP8361436	FOOT PLATE	1
8	FTP8360454	COVER PLATE	1
9	FTP8360455	COVER PLATE	1
10	FTP8360451	LIFTING BAR	2
11	FTP8360459	BELT COVER ASSY	1
12	FTP8361062	SAFETY SWITCH FOOT PLATE ASSY	1
13	FTP8361062B	SAFETY SWITCH BASE	1
14	FTP8361062A	SAFETY SWITCH FOOT PLATE	2
15	FTP8360592	THROTTLE FOOT PLATE ASSY	1
16	FTP8361437	SAFETY SWITCH COVER	1
17	FTP9213	BOLT	4
18	FTP9037	SPRING WASHER	4
19	FTP9533	LOCK	1
20	FTP9534	ADJUSTING LOCK	2
21	FTP9521	RIVET	11
22	FTP9535	ISOLATING WASHER	1
23	FTP9035	PLASTIC COVER	4
24	FTP9902	BOLT	18
25	FTP9040	BOLT	2
26	FTP9023	LOCK NUT	18
27	FTP9236	LOCK NUT	2
28	FTP9525	LOCK NUT	4
29	FTP9038	PLATE WASHER	6
30	FTP9010	BOLT	4
31	FTP9524	BOLT	4
32	FTP8361376	FUEL PUMP MOUNTING PLATE	1
33	FTP8361377	WATER PUMP MOUNTING PLATE	1
34	FTP8361430	SWITCH BASE	1
35	FTP8361440	FUEL VALVE BASE	1
36	FTP8361421	LAMP FRAME	2
37	FTP8369543	SLIDE PIECE	2
38	FTP8361073	WATER TANK	1
39	FTP8361073A	FUEL TANK	1
40	FTP8361378	TANK HOLDER ASSY	1
41	FTP8360199	WATER TANK CAP	2
42	FTP8360968	BATTERY TERMINAL	1
43	FTP8360598	LAMP	2
44	FTP8360019	BATTERY	1
45	FTP8360463	BATTERY BOX COVER	1
46	FTP8360464	BATTERY BOX	1

**TROWEL BLADE ADJUSTMENT & TRANSMISSION ASSEMBLIES**




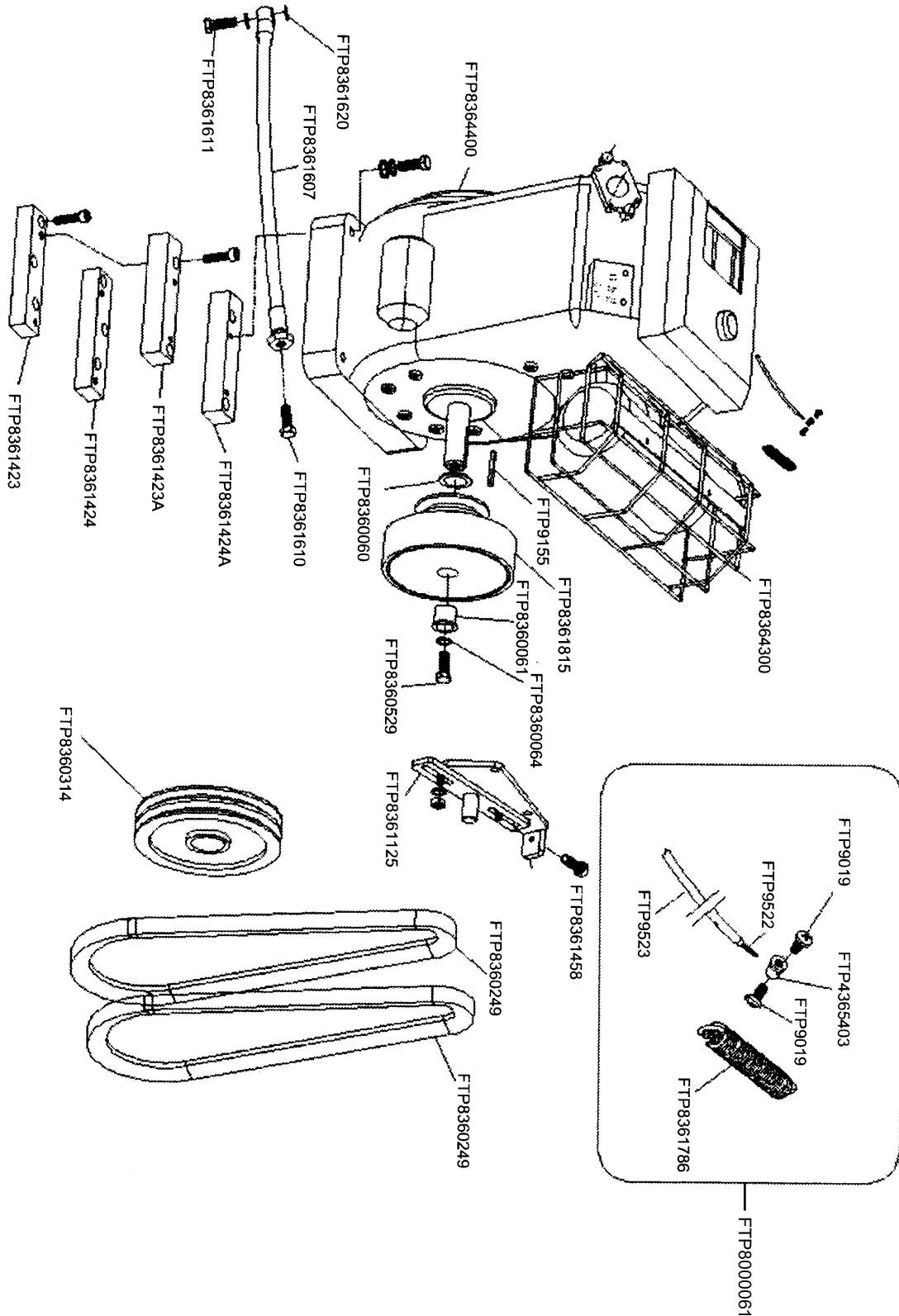
# Flextool

SERVICE SHEET F03835 ISSUE 160507

## RIDE-ON POWER TROWEL FP836 PARTS LIST

**PART NO.  
F03836**

ITEM NO.	PART NO.	DESCRIPTION	QUANTITY
<b>TROWEL BLADES ADJUSTMENT &amp; TRANSMISSION ASSEMBLY</b>			
1	FTP4365501	WHEEL	2
2	FTP4365503	ADJUSTING SCREW	2
3	FTP4365504	WASHER	2
4	FTP4365506	WIRE CONNECTOR	2
5	FTP4365507	BOLT	2
6	FTP4465500	BLADE ADJUSTMENT ASSEMBLY	2
7	FTP4465502	GUIDING BUSH	2
8	FTP4465505	ADJUSTING SHAFT	2
9	FTP4465509	SHAFT - YOKE ARM	2
10	FTP4465510	YOKE ARM	2
11	FTP8360484	FRAME ASSEMBLY (LEFT)	1
12	FTP8360485	POSITIONING BOLT	3
13	FTP8360488	SHAFT CONNECTOR	1
14	FTP8360489	SHAFT RUBBER COVER	2
15	FTP8360491	FRAME ASSEMBLY (RIGHT)	1
16	FTP8360492	BOLT	1
17	FTP8360494	LIFTING FRAME	1
18	FTP8360973	WIRE CONNECTOR ASSY	2
19	FTP8364000(L)	GEAR BOX ASSY.	1
20	FTP8364000(R)	GEAR BOX ASSY.	1
21	FTP9016	LOCK NUT	2
22	FTP9018	BOLT	16
23	FTP9022	SPRING WASHER	2
24	FTP9024	SPRING PIN	2
25	FTP9025	BEARING	2
26	FTP9026	SCREW	2
27	FTP9027	RING	2
28	FTP9028	BOLT	2
29	FTP9046	SPRING WASHER	16
30	FTP9093	BOLT	2
31	FTP9157A	SPRING PIN	2
32	FTP9202	RING	4
33	FTP9216	BOLT	3
34	FTP9338	WIRE	2

**ENGINE TRANSMISSION ASSEMBLY**




# Flextool

SERVICE SHEET F03835 ISSUE 110809

## RIDE-ON POWER TROWEL FP836 PARTS LIST

**PART NO.  
F03836**

ITEM NO.	PART NO.	DESCRIPTION	QUANTITY
<b>ENGINE TRANSMISSION ASSEMBLY</b>			
1	FTP8360314	PULLEY	1
2	FTP8361458	BELT TENSIONING ASSY	1
3	FTP8361125	BELT TENSION ADJUSTING ASSY	1
4	FTP8361461	BELT TIGHTENING PULLEY	1
5	FTP8261610	PLUG	1
6	FTP8361611	OIL DRAIN PLUG	1
7	FTP8361423	ENGINE PLATE	1
8	FTP8361424	ENGINE PLATE	1
9	FTP8361423A	ENGINE PLATE	1
10	FTP8361424A	ENGINE PLATE	1
11	FTP8364300	MUFFLER GUARD ASSY	1
12	FTP8360060	CLUTCH WASHER	1
13	FTP8360061	CLUTCH POSITIONING GUIDE	1
14	FTP8364400	ENGINE COVER	1
15	F03463	ENGINE	1
16	FTP8361607	OIL DRAIN PIPE	1
17	FTP8361620	COPPER WASHER	2
18	FTP9068A	BOLT	10
19	FTP9528	BOLT	2
20	FTP9220	BOLT	2
21	FTP9526	BOLT	1
22	FTP9036	NUT	3
23	FTP9023	LOCK NUT	2
24	FTP9232	BOLT	2
25	FTP9022	SPRING WASHER	2
26	FTP9037	SPRING WASHER	6
27	FTP9529	BOLT	2
28	FTP9027	SHAFT RING	1
29	FTP9063A	BEARING	2
30	FTP9040	BOLT	4
31	FTP9038	PLATE WASHER	6
32	FTP8361815	CLUTCH	1
33	FTP8360488	SHAFT CONNECTOR	1
34	FTP8360489	SHAFT RUBBER COVER	2
35	FTP8360249	BELT	2
36	FTP9236	LOCK NUT	2
37	FTP8360529	BOLT	1
38	FTP8360064	SPRING WASHER	3
39	FTP9155	KEY	1
	<b>FTP8000061</b>	<b>THROTTLE WIRE &amp; HOLDER ASSY</b>	<b>1</b>
40	FTP8361786	THROTTLE SPRING	1
41	FTP4365403	NUT, THROTTLE WIRE HOLDER	4
42	FTP9019	SCREW, THROTTLE WIRE HOLDER	8
43	FTP9522	THROTTLE WIRE	1
44	FTP9523	THROTTLE WIRE CASING	1

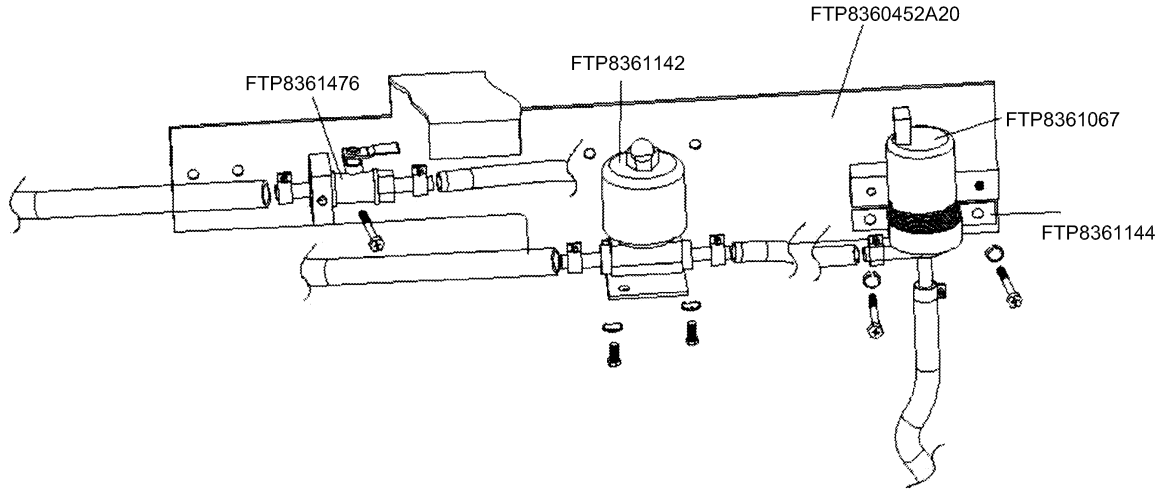


**Flextool**

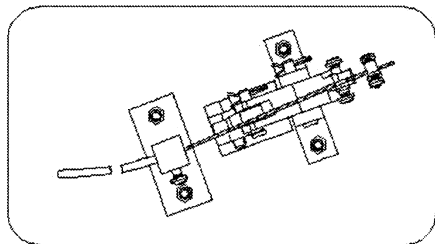
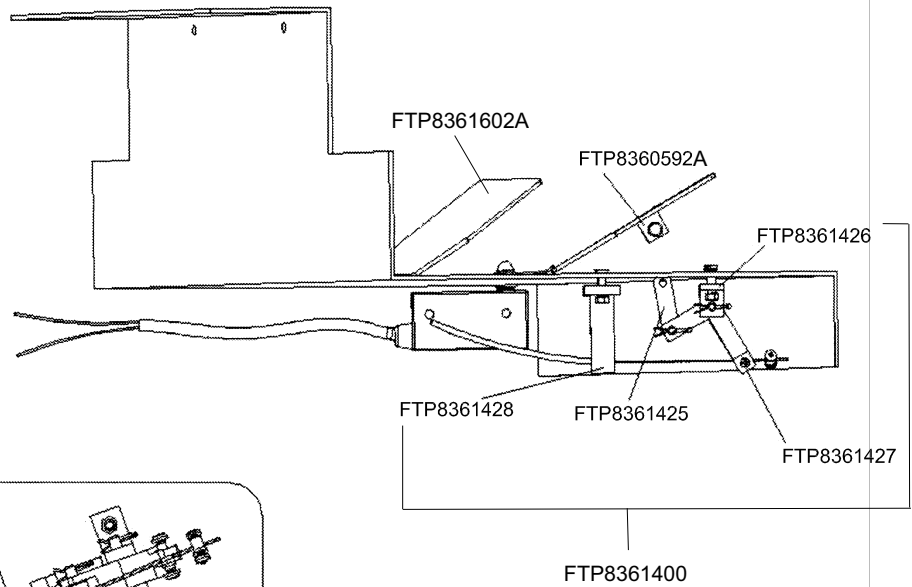
SERVICE SHEET F03835 ISSUE 140809

**RIDE-ON POWER TROWEL**  
MODEL FP836

PART NO.  
F03836



**WATER & FUEL PIPELINE ASSEMBLY**



FTP8361400 Bottom View

**THROTTLE CONTROL & SAFETY SWITCH ASSY**





SERVICE SHEET F03835 ISSUE 140809

**RIDE-ON POWER TROWEL  
FP836 PARTS LIST**

**PART NO.  
F03836**

ITEM NO.	PART NO.	DESCRIPTION	QUANTITY
<b>WATER AND FUEL PIPELINE ASSEMBLIES</b>			
1	FTP8361073	WATER TANK	1
2	FTP8361073A	FUEL TANK	1
3	FTP8361378	TANK HOLDER ASSEMBLY	1
4	FTP8361144	WATER PUMP HOLDER	1
5	FTP8361067	WATER PUMP	1
6	FTP8361476	WATER VALVE	1
7	FTP8361476A	WATER PIPE CONNECTOR	2
8	FTP8361476B	FUEL PIPE CONNECTOR	2
9	FTP8361142	ELECTRIC SWITCH	1
10	FTP8360452A20	N/A	1
11	FTP8361301	WATER PUMP SWITCH	1
12	FTP8361070	STAINLESS STEEL HOLDER	6
13	FTP8361071	STAINLESS STEEL HOLDER	4
14	FTP8360589	FUEL PIPE	1
15	FTP8360754	WATER PIPE	1
16	FTP9232	BOLT	2
17	FTP9037	SPRING WASHER	2
18	FTP9128	SPRING WASHER	4
19	FTP9010	BOLT	2
20	FTP9515	CLAMP	2
21	FTP9516	BOLT	6
22	FTP9517	LOCK NUT	6
23	FTP9518	PIN	3
24	FTP9519	PIN SHAFT	2
25	FTP9520	PIN SHAFT	1
26	FTP9019	BOLT	8
27	FTP9521	RIVET	6
28	FTP9522	THROTTLE WIRE	1
29	FTP9523	THROTTLE WIRE CASING	1
30	FTP9524	BOLT	4
31	FTP9525	LOCK NUT	4
32	FTP9080	BOLT	4
33	FTP9541	WARNING PLATE (FUEL)	1
34	FTP9542	WARNING PLATE (WATER)	1
<b>THROTTLE CONTROL &amp; SAFETY SWITCH ASSEMBLIES</b>			
	<b>FTP8360592</b>	<b>THROTTLE FOOT PLATE ASSY</b>	<b>1</b>
1	FTP8360592A	THROTTLE FOOT PLATE	1
2	FTP8360592B	THROTTLE BASE PLATE	1
	<b>FTP8361400</b>	<b>THROTTLE CONTROL ASSY</b>	<b>1</b>
3	FTP8361425	MOVABLE CONTROL LEVER	1
4	FTP8361426	CONTROL LEVER	1
5	FTP8361427	CONTROL CONNECTOR	1
6	FTP8361428	THROTTLE HOLDER	1



SERVICE SHEET F03835 ISSUE 140809

**RIDE-ON POWER TROWEL  
FP836 PARTS LIST**

**PART NO.  
F03836**

ITEM NO.	PART NO.	DESCRIPTION	QUANTITY
	<b>FTP8361062</b>	<b>SAFETY SWITCH FOOT PLATE ASSY</b>	<b>1</b>
7	FTP8361062A	SAFETY SWITCH FOOT PLATE	1
8	FTP8361062B	SAFETY SWITCH BASE	1
<b>ELECTRICAL SYSTEM</b>			
1	FTP8360019	BATTERY	1
2	FTP8360968	BATTERY TERMINAL	1
3	FTP24364002	STEEL CUP	2
4	FTP24364009	RUBBER PLATE	2
5	FTP9093	BOLT	2
6	FTP9232	BOLT	2
7	FTP9236	LOCK NUT	2
8	FTP9038	WASHER	2
9	FTP8360598	LAMP	2
10	FTP9546	WIRE CONNECTOR	4
11	FTP9547	WIRE CONNECTOR	3
12	FTP9549	FUSE BOX	3
13	FTP9554	FUSE	3
14	FTP9553	SLIDE CONNECTOR, PVC, BLUE	2
15	FTP9550	BUTT CONNECTOR, PVC, BLUE	1
16	FTP9551	PLUG CONNECTOR, PVC, WHITE	3
17	FTP9552	PLUG CONNECTOR, PVC, WHITE	3
18	FTP9586	WIRE PROTECTOR	1
19	FTP9560	WIRE CONDUIT	1
20	FTP9539	LAMP SWITCH	1
21	FTP9023	LOCK NUT	6



For more information on our product range, visit one of our branches or log onto [www.parchem.com.au](http://www.parchem.com.au).

### **New South Wales**

#### **Penrith**

4/31 Jack Williams Dve  
Tel: 02 4722 9259

#### **Narellan**

Unit 1, 7-9 Gallipoli St  
Tel: 02 4647 0623

#### **Padstow**

119 Fairford Rd  
Tel: 02 9771 6626

#### **Riverstone**

14 Edward St  
Tel: 02 9627 9133

#### **Coffs Harbour**

1/5 Industrial Dve  
Tel: 02 6652 3599

#### **Thornton**

45 Glenwood Dve  
Tel: 02 4964 4277

#### **Tuggerah\***

4 Ace Cres  
Tel: 02 4352 2287

#### **Moorebank\***

52 Heathcote Rd  
Tel: 02 9601 1422

### **South Australia**

#### **Hindmarsh\***

29/31 Manton St  
Tel: 08 8241 6000

### **Victoria**

#### **Brunswick**

400 Victoria St  
Tel: 03 9326 8300

#### **Berwick**

3/21-23 Enterprise Ave  
Tel: 03 9796 1027

#### **Campbellfield**

24 Foden Ave  
Tel: 03 9308 6133

### **Queensland**

#### **Brendale**

33 Kremzow Rd  
Tel: 07 3889 7600

#### **Nerang**

12 Hilldon Crt  
Tel: 07 5527 2227

#### **Springwood**

1/58 Parramatta Rd  
Tel: 07 3808 8133

#### **Garbut**

336 Bayswater Rd  
Tel: 07 4729 5911

### **Western Australia**

#### **Belmont**

45 Belmont Ave  
Tel: 08 6279 9799

\* Parchem Construction Supplies Trade Stores which stock a comprehensive range of Parchem products.