



SPARE PARTS MANUAL

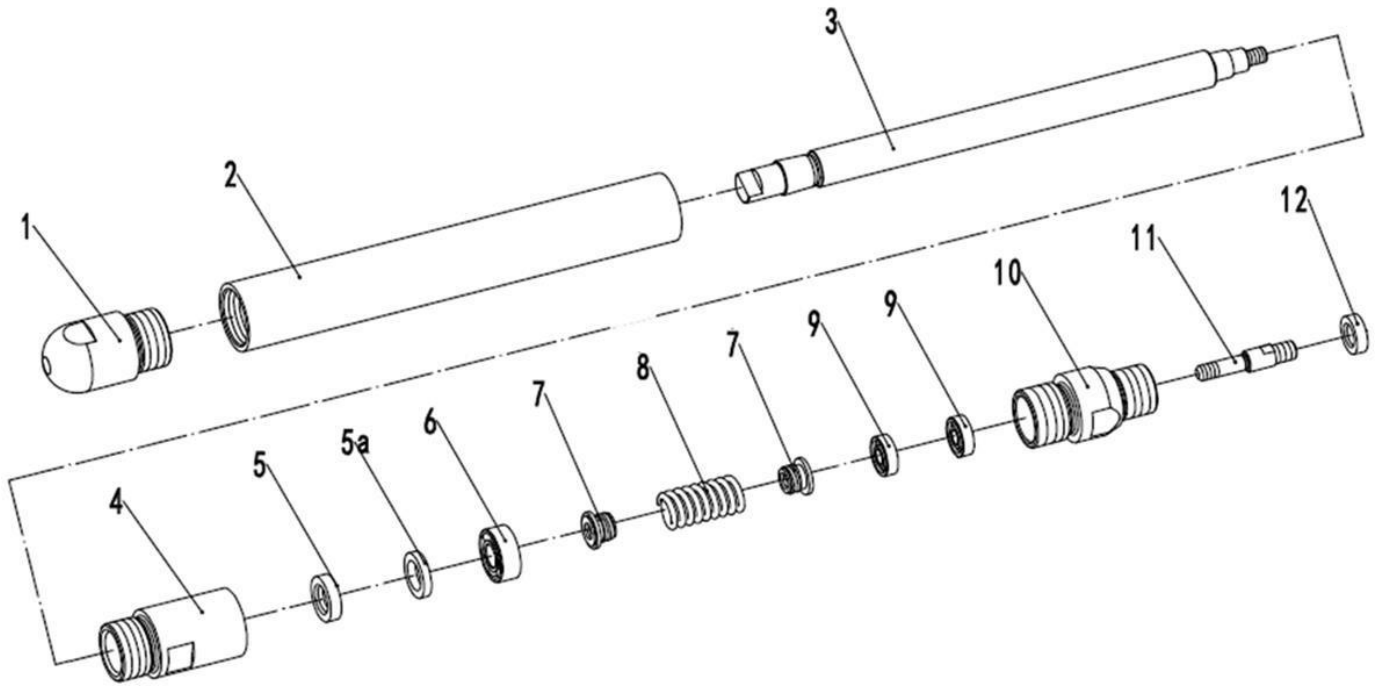
FLEXTOOL FLEXSHAFT CONCRETE VIBRATOR FVP30, FVP40/R, FVP50/R, FVP60/R



Applies to product from Serial Number D04-10000

Version 2.0 (October 2023)

FOR MORE INFORMATION VISIT flextool.com.au



Vibrating Barrel (All Types)

Item No.	Product Code	Description	Qty	Remarks
1	NPS01549-UNIT	FLX NOSE CAP FVP30 – STEEL (310101)	1	
	NPS01550-UNIT	FLX NOSE CAP FVP40 – STEEL (320101)	1	
	NPS01551-UNIT	FLX NOSE CAP FVP50 – STEEL (360101)	1	
	NPS01552-UNIT	FLX NOSE CAP FVP60 – STEEL (380101)	1	
	NPS01553-UNIT	FLX NOSE CAP FVP40R – RUBBER (320113)	1	
	NPS01554-UNIT	FLX NOSE CAP FVP50R – RUBBER (360114)	1	
	NPS01555-UNIT	FLX NOSE CAP FVP60R – RUBBER (380106)	1	
2	See Remarks	FLX BARREL CASE FVP30 (310103)	1	Use AS-1
		FLX BARREL CASE FVP40/R (320103)	1	Use AS-2
		FLX BARREL CASE FVP50/R (360103)	1	Use AS-3
		FLX BARREL CASE FVP60/R (380103)	1	Use AS-4
3	See Remarks	FLX ROTOR FVP30 (310102)	1	Use AS-1
		FLX ROTOR FVP40/R (320102)	1	Use AS-2
		FLX ROTOR FVP50/R (360102)	1	Use AS-3
		FLX ROTOR FVP60/R (380102)	1	Use AS-4
4	See Remarks	FLX BEARING HOUSING FVP40/R (320104)	1	Use AS-2
		FLX BEARING HOUSING FVP50/R (360104)	1	Use AS-3
		FLX BEARING HOUSING FVP60/R (380104)	1	Use AS-4
5	See Remarks	FLX OIL SEAL FVP30 (530401)	1	Use SK-1
		FLX OIL SEAL FVP40/R (530402)	1	Use SK-2
		FLX OIL SEAL FVP50/R (530404)	1	Use SK-3
		FLX OIL SEAL FVP60/R (530405)	1	Use SK-4
5A	See Remarks	FLX SPACER FVP30 (310104)	1	Use SK-1
6	See Remarks	FLX BEARING FVP30 (550201)	1	Use SK-1
		FLX BEARING FVP40/R (550205)	1	Use SK-2
		FLX BEARING FVP50/R (550207)	1	Use SK-3
		FLX BEARING FVP60/R (550208)	1	Use SK-4
7	See Remarks	FLX SPRING END FVP30 (300111)	2	Use SK-1
		FLX SPRING END FVP40/R (340111)	2	Use SK-2
		FLX SPRING END FVP50/R (360111)	2	Use SK-3
		FLX SPRING END FVP60/R (380111)	2	Use SK-4
8	See Remarks	FLX SPRING FVP30 (300112)	1	Use SK-1
		FLX SPRING FVP40/R (320112)	1	Use SK-2
		FLX SPRING FVP50/R (360112)	1	Use SK-3
		FLX SPRING FVP60/R (380112)	1	Use SK-4

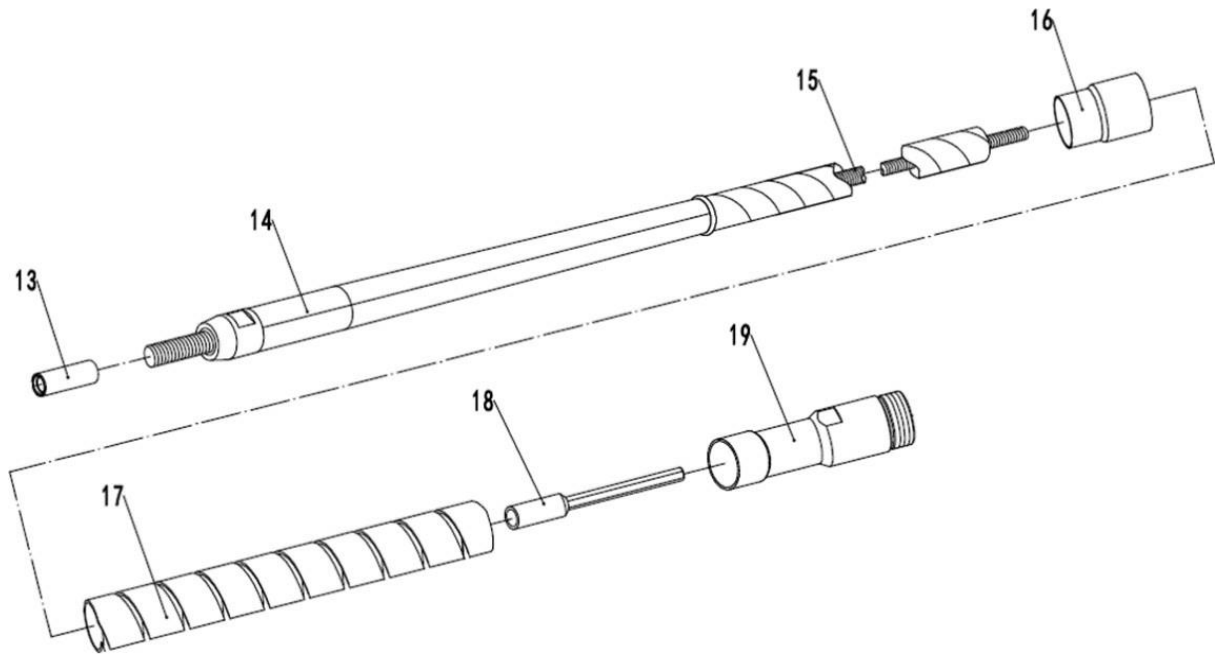
Vibrating Barrel (All Types)

9	See Remarks	FLX BEARING FVP30 (550508)	2	Use SK-1
		FLX BEARING FVP40/R (550506)	2	Use SK-2
		FLX BEARING FVP50/R (550507)	2	Use SK-3
		FLX BEARING FVP60/R (550507)	2	Use SK-4
10	See Remarks	FLX SPRING HOUSING FVP30 (310105)	1	Use AS-1
		FLX SPRING HOUSING FVP40/R (320105)	1	Use AS-2
		FLX SPRING HOUSING FVP50/R (360105)	1	Use AS-3
		FLX SPRING HOUSING FVP60/R (380105)	1	Use AS-4
11	See Remarks	FLX TRANS SHAFT FVP30 (310106)	1	Use SK-1
		FLX TRANS SHAFT FVP40/R (340106)	1	Use SK-2
		FLX TRANS SHAFT FVP50/R (360106)	1	Use SK-3
		FLX TRANS SHAFT FVP60/R (360106)	1	Use SK-4
12	See Remarks	FLX OIL SEAL FVP30 (530110)	1	Use SK-1
		FLX OIL SEAL FVP40/R (530101)	1	Use SK-2
		FLX OIL SEAL FVP50/R (530109)	1	Use SK-3
		FLX OIL SEAL FVP60/R (530109)	1	Use SK-4

Vibrating Barrel (All Types) Assembly / Service Kits

Item No.	Product Code	Description	Qty	Remarks
AS-1	NPS01556-UNIT	FLX VIBRATING HEAD ASSY FVP30 – STEEL TIP (310300)	1	Inc Items: 1-12
AS-2	NPS01557-UNIT	FLX VIBRATING HEAD ASSY FVP40 – STEEL TIP (320300)	1	Inc Items: 1-12
	NPS01558-UNIT	FLX VIBRATING HEAD ASSY FVP40R – RUBBER TIP (320300R)	1	Inc Items: 1-12
AS-3	NPS01559-UNIT	FLX VIBRATING HEAD ASSY FVP50 – STEEL TIP (360300)	1	Inc Items: 1-12
	NPS01560-UNIT	FLX VIBRATING HEAD ASSY FVP50R – RUBBER TIP (360300R)	1	Inc Items: 1-12
AS-4	NPS01561-UNIT	FLX VIBRATING HEAD ASSY FVP60 – STEEL TIP (380300)	1	Inc Items: 1-12
	NPS01562-UNIT	FLX VIBRATING HEAD ASSY FVP60R – RUBBER TIP (380300R)	1	Inc Items: 1-12

SK-1	NPS01563-UNIT	FLX SERVICE KIT CONC VIBE FVP30 (310300SK)	1	Inc Items: 5-9, 11-12
SK-2	NPS01564-UNIT	FLX SERVICE KIT CONC VIBE FVP40/R (320300SK)	1	Inc Items: 5-9, 11-12
SK-3	NPS01565-UNIT	FLX SERVICE KIT CONC VIBE FVP50/R (360300SK)	1	Inc Items: 5-9, 11-12
SK-4	NPS01566-UNIT	FLX SERVICE KIT CONC VIBE FVP60/R (380300SK)	1	Inc Items: 5-9, 11-12

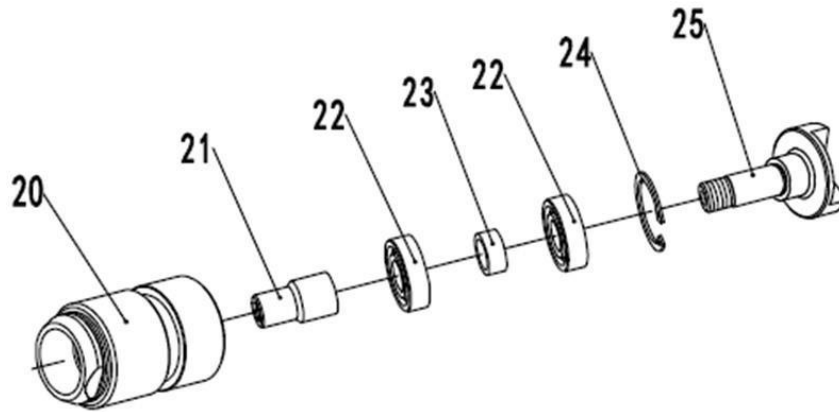


Flexshaft Assy (All Types)

Item No.	Product Code	Description	Qty	Remarks
13	See Remarks	FLX CORE END FVP30 (001210)	1	Use AS-5
		FLX CORE END FVP40/R, FVP50/R, FVP60/R (340201)	1	Use AS-6 or AS-7
		FLX FLEX CASING 6M FVP30 (310320)	1	Use AS-8
14	See Remarks	FLX FLEX CASING 6M FVP40/R (340115)	1	Use AS-9
		FLX FLEX CASING 6M FVP50/R, FVP60/R (360109)	1	Use AS-10
		FLX FLEX CASING 9M FVP40/R (340116)	1	Use AS-11
		FLX FLEX CASING 9M FVP50/R, FVP60/R (360113)	1	Use AS-12
15	See Remarks	FLX FLEX CORE 6M FVP30 (810103)	1	Use AS-5
		FLX FLEX CORE 6M FVP40/R, FVP50/R, FVP60/R (810134)	1	Use AS-6
16	See Remarks	FLX FLEX CORE 9M FVP40/R, FVP50/R, FVP60/R (810147)	1	Use AS-7
		FLX SLEEVE FVP30 (310303)	1	Use AS-8
17	See Remarks	FLX SLEEVE FVP40/R, FVP50/R, FVP60/R (340303)	1	Use AS-9, AS-10, AS-11 or AS-12
		FLX OUTER SPRING FVP30 (310302)	1	Use AS-8
18	See Remarks	FLX OUTER SPRING FVP40/R, FVP50/R, FVP60/R (340302)	1	Use AS-9, AS-10, AS-11 or AS-12
		FLX CORE END SLIDE FVP30 (009210)	1	Use AS-5
19	See Remarks	FLX CORE END SLIDE FVP40/R, FVP50/R, FVP60/R (340204)	1	Use AS-6 or AS-7
		FLX FERRULE FVP30 (310315)	1	Use AS-8
		FLX FERRULE FVP40/R, FVP50/R, FVP60/R (340315)	1	Use AS-9, AS-10, AS-11 or AS-12

Flexshaft Assy (All Types) Assembly / Service Kit

Item No.	Product Code	Description	Qty	Remarks
AS-5	NPS01567-UNIT	FLX INNER CORE 6M ASSY FVP30 (310836Z)	1	Inc Items: 13, 15, 18
AS-6	NPS01568-UNIT	FLX INNER CORE 6M ASSY FVP40/R, FVP50/R, FVP60/R (340836Z)	1	Inc Items: 13, 15, 18
AS-7	NPS01569-UNIT	FLX INNER CORE 9M ASSY FVP40/R, FVP50/R, FVP60/R (340839Z)	1	Inc Items: 13, 15, 18
AS-8	NPS01570-UNIT	FLX OUTER CASING 6M ASSY FVP30 (310836GF)	1	Inc Items: 14, 16, 17, 19
AS-9	NPS01571-UNIT	FLX OUTER CASING 6M ASSY FVP40/R (340836GF)	1	Inc Items: 14, 16, 17, 19
AS-10	NPS01572-UNIT	FLX OUTER CASING 6M ASSY FVP50/R, FVP60/R (360836GF)	1	Inc Items: 14, 16, 17, 19
AS-11	NPS01573-UNIT	FLX OUTER CASING 9M ASSY FVP40/R (340839GF)	1	Inc Items: 14, 16, 17, 19
AS-12	NPS01574-UNIT	FLX OUTER CASING 9M ASSY VP50/R, VP60/R (360839GF)	1	Inc Items: 14, 16, 17, 19



Coupling (All Types)

Item No.	Product Code	Description	Qty	Remarks
20	See Remarks	FLX BEARING HOUSING (360421)	1	Use AS-11
21	See Remarks	FLX HEX ADAPTOR (046310)	1	Use SK-5
22	See Remarks	FLX BEARING (550102)	2	Use SK-5
23	See Remarks	FLX SPACER (046330)	1	Use SK-5
24	See Remarks	FLX CIRCLIP (670105)	1	Use SK-5
25	See Remarks	FLX SPINDLE 3-TEETH (360422)	1	Use AS-11

Coupling (All Types) Assembly / Service Kits

Item No.	Product Code	Description	Qty	Remarks
AS-11	NPS01575-UNIT	FLX COUPLING ASSY (360420)	1	Inc Items: 20-25

SK-5	NPS01576-UNIT	FLX COUPLING SERVICE KIT ASSY (360420SK)	1	Inc Items: 21-24
------	---------------	------------------------------------------	---	------------------



Flextool

1956 Dandenong Road, Clayton VIC 3168, Australia

Phone (AUS): 1300 353 986

flextool.com.au

ABN 80 069 961 968

This manual summarises our best knowledge of the product based on the information available at the time of publication. You should read this manual carefully and consider the information in the context of how the product will be used. Our responsibility for products sold is subject to our standard terms and conditions of sale.

DISCLAIMER:

Any advice, recommendation, information, assistance or service provided by us in this manual is given in good faith and is believed by us to be appropriate and reliable. However, any advice, recommendation, information, assistance or service provided by us is provided without liability or responsibility PROVIDED THAT the foregoing shall not exclude, limit, restrict or modify the right entitlements and remedies conferred upon any person or the liabilities imposed upon us by any condition or warranty implied by Commonwealth, State or Territory Act or ordinance void or prohibiting such exclusion limitation or modification. The product can be expected to perform as indicated in this manual so long as operation and operational procedures of the individual products are followed as recommended in this manual.

Design and technical specifications may be subject to changes.

© This publication is copyright. All rights are reserved. Flextool is a registered trade mark of Parchem Construction Supplies Pty Ltd.