



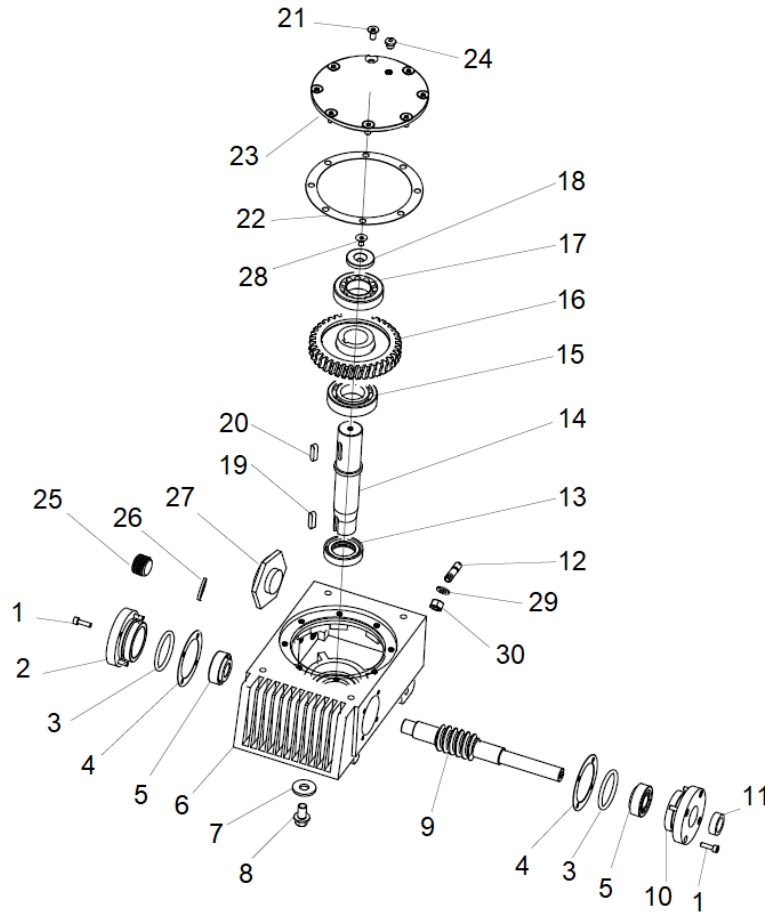
# SPARE PARTS MANUAL

## FLEXTOOL® WALK BEHIND POWER TROWEL FT34-2 & FT40-2



Version 1.0 (October 2021)

FOR MORE INFORMATION  
CONTACT US ON 1300 353 986 OR VISIT [flextool.com.au](http://flextool.com.au)



**Gearbox (FT34-2 & FT40-2)**

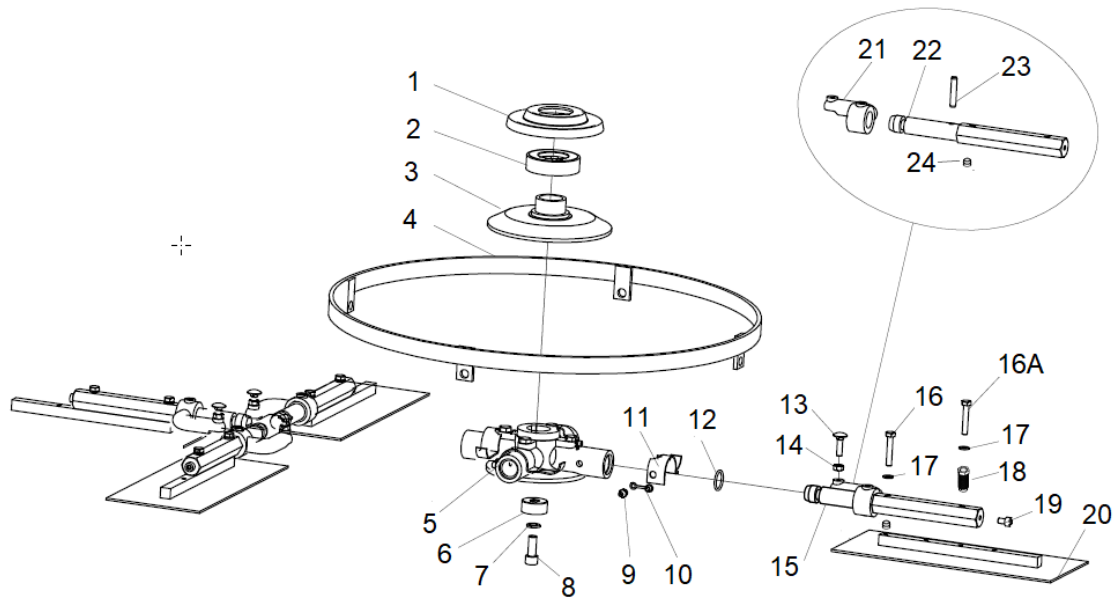
Item No.	Product Code	Description	Qty	Remarks
1	NPS07186-UNIT	FLX BOLT M6X20 (SY-GBT70.1-6-20)	8	
2	NPS07187-UNIT	FLX END CAP BEARING WORM GEAR (SY-BT-ZCG-001)	1	
3	NPS07188-UNIT	FLX O-RING 53X3.1 (SY-GBT345215531)	2	
4	NPS07189-UNIT	FLX GASKET (SY-L-ZCGZDQ-001)	2	
5	NPS07190-UNIT	FLX BEARING 32204 (SY-U-32204-C&U)	2	
6	See Remarks	FLX GEARBOX MAIN HOUSING (SY-BT-A0081)	1	Use AS-1
7	NPS07191-UNIT	FLX WASHER SEAL (SY-GBT97.2-12-18-2)	1	
8	NPS07192-UNIT	FLX BOLT M12X10 P1.25 (DRAIN PLUG) (SY-JBZQ4450-12-1.5)	1	
9	NPS07193-UNIT	FLX WORM SHAFT (SY-BT-A0066)	1	
10	NPS07194-UNIT	FLX FLANGE BEARING WORM GEAR (SY-BT-A065)	1	
11	NP07195-UNIT	FLX OIL SEAL 32X20X7 (SY-GBT13871-203207)	1	
12	NPS07196-UNIT	FLX STUD M14X40 (SY-GB/T901-10-045)	1	
13	NPS07197-UNIT	FLX OIL SEAL 54X35X8 (SY-GB102717-355408)	1	
14	NPS07198-UNIT	FLX MAIN SHAFT (SY-R-CT436-WLZ02)	1	
15	NPS07199-UNIT	FLX BEARING (SY-U-6007)	1	
16	NPS07200-UNIT	FLX MAIN GEAR (SY-L-222-001)	1	
17	NPS07201-UNIT	FLX BEARING (TOP) 30207 (SY-U-30207-C&U)	1	
18	NPS07202-UNIT	FLX RETAINER (SY-R-P436-DQ)	1	
19	NPS07203-UNIT	FLX KEY 8X30 (SY-GB/T1096-08-30)	1	
20	NPS07203-UNIT	FLX KEY 8X30 (SY-GB/T1096-08-30)	1	
21	NPS07204-UNIT	FLX BOLT CSK M6X20 (SY-GB/T70.3-06X20)	9	
22	NPS07205-UNIT	FLX GASKET TOP COVER (SY-BT-A0061)	1	
23	NPS07206-UNIT	FLX GEAR BOX TOP COVER (SY-BT-XT-001)	1	
24	NPS07207-UNIT	FLX BREATHER GEARBOX (SY-R-424-20000171)	1	

## Gearbox (FT34-2 &amp; FT40-2) Continued

Item No.	Product Code	Description	Qty	Remarks
25	NPS07208-UNIT	FLX OIL FILLER PLUG (SY-B-182-CL0002)	1	
26	NPS07209-UNIT	FLX COPPER WASHER 18MM (SY-GB/T97.2-18)	1	
27	NPS00046-UNIT	FLX GEARBOX SIGHT GLASS (SY-JBT794122715)	1	
28	NPS07211-UNIT	FLX BOLT CSK M8X20 (SY-GB/T70.3-8-20)	1	
29	NPS07212-UNIT	FLX WASHER FLAT M10 (SY-GB/T95-10)	4	
30	NPS07248-UNIT	FLX NY-LOCK NUT M10 (SY-R-205-CL1235)	4	

## Gearbox (FT34-2 &amp; FT40-2) Assembly / Service Kits

Item No.	Product Code	Description	Qty	Remarks
AS-1	NPS07213-UNIT	FLX ASSY GEARBOX (SY-L-XT-001)	1	Inc Items: 1-24



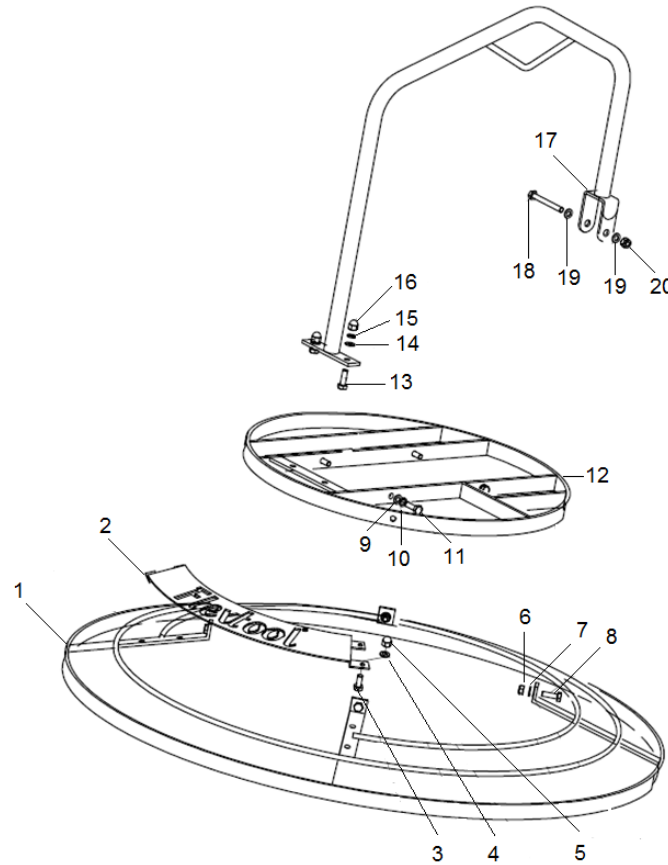
**Spider Plate (FT34-2 & FT40-2)**

Item No.	Product Code	Description	Qty	Remarks
1	NPS07214-UNIT	FLX PRESSURE PLATE COVER (SY-BT-A083)	1	
2	NPS07215-UNIT	FLX PRESSURE PLATE BEARING (SY-R-436-002)	1	
3	NPS00349-UNIT	FLX PRESSURE PLATE FT SERIES 1 & 2 (SY-BT-A084)	1	
4	See Remarks	FLX STABILISER RING (SY-BT-A0085)	1	Not used on FT34-2 & FT40-2 Models
5	See Remarks	FLX SPIDER PLATE (SY-L-P436SZJ)	1	Use AS-1
6	NPS007216-UNIT	FLX RETANING BUSH (SY-20000602)	1	
7	NPS07217-UNIT	FLX WASHER SPRING M12 (SY-R-E836-CL00030)	1	
8	NPS07218-UNIT	FLX BOLT M12X30 (SY-GB/T70.3-12-030)	1	
9	NPS07219-UNIT	FLX GREASE NIPPLE (SY-JBT7940.1-10-01)	4	
10	NPS07220-UNIT	FLX GREASE NIPPLE COVER (SY-R-E836-C138)	4	
11	NPS07221-UNIT	FLX BLADE RETURN SPRING (SY-BT-A0200)	4	
12	NPS07222-UNIT	FLX O-RING 35X3.5MM (SY-GBT3452.3-3035)	4	
13	NPS07223-UNIT	FLX DOME HEAD BOLT M8X30 (SY-GB/T12-08-30)	4	
14	NPS07224-UNIT	FLX NUT M8 (SY-20000372M8)	4	
15	See Remarks	FLX BLADE ARM ASSY (SY-B-294)	4	Use AS-2
16	See Remarks	FLX BOLT M8X45 (SY-GB/T5780-08-45)	4	Included with replacement Trowel Blades Set
16A	See Remarks	FLX BOLT M8X55 (SY-GB/T5780-08-55)	4	
17	See Remarks	FLX WASHER FLAT M8 (SY-GB/T95-08)	8	
18	NPS07225-UNIT	FLX BLADE ADJUSTMENT INSERT (SY-GB/T-M16X15)	4	
19	See Remarks	FLX BOLT M8X12 (SY-GB/T70.1-08-12)	4	Not used on FT34-2 & FT40-2 Models
20	See Remarks	FLX TROWEL BLADE (SY-B-JMDP-34X18)	4	See Trowel Blades
21	See Remarks	FLX BLADE TILT ARM (SY-R-LJB-007)	4	Use AS-2
22	See Remarks	FLX BLADE ARM (SY-R-LJB-006)	4	Use AS-2
23	See Remarks	FLX ROLL PIN 8X45MM (SY-GB/T879.4-08-45)	4	Use AS-2
24	See Remarks	FLX BLADE ARM INSERT (SY-R-DQ-1)	4	Use AS-2

**Spider Plate (FT34-2 & FT40-2) Assembly / Service Kits**

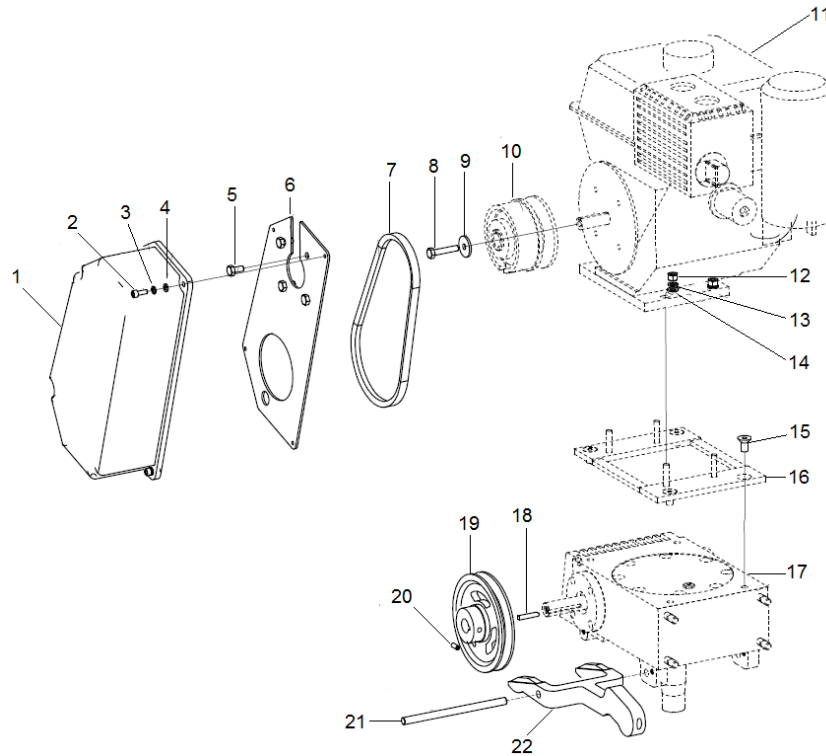
Item No.	Product Code	Description	Qty	Remarks
AS-1	NPS00213-UNIT	FLX SPIDER PLATE ASSY FT34-2 & FT40-2 (SY-CTP436-0700)	1	Inc Items: 5, 9-18, 21-24
AS-2	NPS00215-UNIT	FLX TROWEL ARM ASSY FT34-2 & FT40-2 (SY-B-294)	4	Inc Items: 21-24

Trowel Blade Sets	FT201821-UNIT	FLX TROWEL BLADE COMBI 185X320MM (4PK) (SY-CCB34-187)	1	Inc Items: 16-18, 20
	FT201822-UNIT	FLX TROWEL BLADE COMBI 195X370MM (4PK) (SY-CCB40-195)	1	Inc Items: 16-18, 20
	FT201823-UNIT	FLX TROWEL BLADE FINISH 150X325MM (4PK) (SY-CFB34-152)	1	Inc Items: 16-18, 20
	FT201824-UNIT	FLX TROWEL BLADE FINISH 150X375MM (4PK) (SY-CFB40-152)	1	Inc Items: 16-18, 20



Blade Guard & Lifting Hook (FT34-2 & FT40-2)

Item No.	Product Code	Description	Qty	Remarks
1	NPS00401-UNIT	FLX BLADE GUARD FRAME FT34-2 (SY-L-127-0047)	1	Used on FT34-2 Model Only
	NPS07226-UNIT	FLX BLADE GUARD FRAME FT40-2 (SY-L-127-0048)	1	Used on FT40-2 Model Only
2	NPS00402-UNIT	FLX LASER CUT FLEXTOOL PLATE FT34-2 (SY-R-127-0047)	1	Used on FT34-2 Model Only
	NPS07227-UNIT	FLX LASER CUT FLEXTOOL PLATE FT40-2 (SY-R-127-0048)	1	Used on FT40-2 Model Only
3	NPS00403-UNIT	FLX BOLT M8X20 (SY-GB-T5780-08-20)	4	
4	NPS00404-UNIT	FLX WASHER SPRING M8 (SY-GB/T93-08)	4	
5	NPS00405-UNIT	FLX NUT DOME M8 (SY-GB/T923-02)	4	
6	NPS00406-UNIT	FLX NY-LOCK NUT M8 (SY-L-L260-320CL427)	4	
7	NPS07228-UNIT	FLX WASHER FLAT M8 (SY-GB/T95-08)	4	
8	NPS00408-UNIT	FLX BOLT M8X25 (SY-GB/T5780-08-25)	4	
9	NPS07228-UNIT	FLX WASHER FLAT M8 (SY-GB/T95-08)	4	
10	NPS00404-UNIT	FLX WASHER SPRING M8 (SY-GB/T93-08)	4	
11	NPS00408-UNIT	FLX BOLT M8X25 (SY-GB/T5780-08-25)	4	
12	NPS07229-UNIT	FLX GUARD INNER FRAME (SY-BT-FHQZ-001)	1	
13	NPS00408-UNIT	FLX BOLT M8X25 (SY-GB/T5780-08-25)	2	
14	NPS07228-UNIT	FLX WASHER FLAT M8 (SY-GB/T95-08)	2	
15	NPS00404-UNIT	FLX WASHER SPRING M8 (SY-GB/T93-08)	2	
16	NPS00405-UNIT	FLX NUT DOME M8 (SY-GB/T923-02)	2	
17	NPS07231-UNIT	FLX LIFTING HOOK FT TROWEL (SERIES 2) (SY-L-436-001)	1	
18	NPS07232-UNIT	FLX BOLT M8X70 (SY-GB/T5780-08-70)	1	
19	NPS07228-UNIT	FLX WASHER FLAT M8 (SY-GB/T95-08)	2	
20	NPS00406-UNIT	FLX NY-LOCK NUT M8 (SY-L-L260-320CL427)	1	

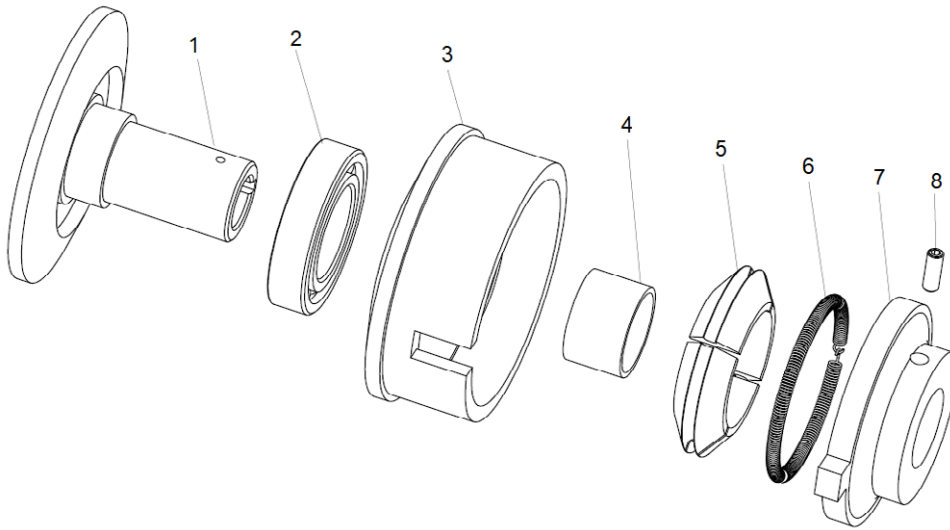


Drive System (FT34-2 & FT40-2)

Item No.	Product Code	Description	Qty	Remarks
1	See Remarks	FLX BELT GUARD (SY-BT-A0077)	1	Use AS-1
2	See Remarks	FLX BOLT M6X16 (SY-GB/T7991-06-16)	4	Use AS-1
3	See Remarks	FLX WASHER SPRING M6 (SY-GB/T93-06)	4	Use AS-1
4	See Remarks	FLX WASHER FLAT M6 (SY-GB/T95-06)	4	Use AS-1
5	See Remarks	FLX BOLT M8X16 (SY-GB/T5780-08-16)	4	Use AS-1
6	See Remarks	FLX BELT GUARD INNER (SY-BT-A0078)	1	Use AS-1
7	NPS00481-UNIT	FLX V-BELT A27 (SY-BT-A0057)	1	
8	NPS07233-UNIT	FLX BOLT M8X40 (SY-GB/T5780-08-40)	1	
9	NPS07234-UNIT	FLX RETAINER M8 (SY-GBT96.1-08-3003)	1	
10	NPS00354-UNIT	FLX CLUCTH ASSY FT SERIES 1&2 (SY-B-LHQ-01)	1	See Page 7
11	NPS01628-UNIT	HON ENGINE GX160 QX (F01628)	1	
12	NPS00406-UNIT	FLX NY-LOCK NUT M8 (SY-L-L260-320CL427)	4	
13	NPS00404-UNIT	FLX WASHER SPRING M8 (SY-GB/T93-08)	4	
14	NPS07228-UNIT	FLX WASHER FLAT M8 (SY-GB/T95-08)	4	
15	NPS07235-UNIT	FLX BOLT CSK M10X20 (SY-GB/T70.3-10-20)	4	
16	NPS07236-UNIT	FLX MOUNTING PLATE ENGINE / GEARBOX (SY-L-FDJDB-001)	1	
17	NPS07213-UNIT	FLX GEAR BOX ASSY (SY-L-XT-001)	1	See Pages 2 & 3
18	NPS07237-UNIT	FLX KEY 5X40 (SY-GB/T1096-05-40)	1	
19	NPS07238-UNIT	FLX PULLEY (SY-BT-A0058)	1	
20	NPS07239-UNIT	FLX GRUB SCREW M8X16 (SY-R-E436-CL00032)	1	
21	NPS07241-UNIT	FLX YOLK SHAFT (SY-L-BCX-003)	1	
22	NPS07242-UNIT	FLX BLADE TILT YOLK (SY-BT-A0025)	1	

Drive System Assembly / Service Kit

Item No.	Product Code	Description	Qty	Remarks
AS-1	NPS00136-UNIT	FLX ASSY BELT GUARD KIT FT SERIES 1 & 2 (SY-CT434-BGKIT)	1	Inc Items: 1 - 6

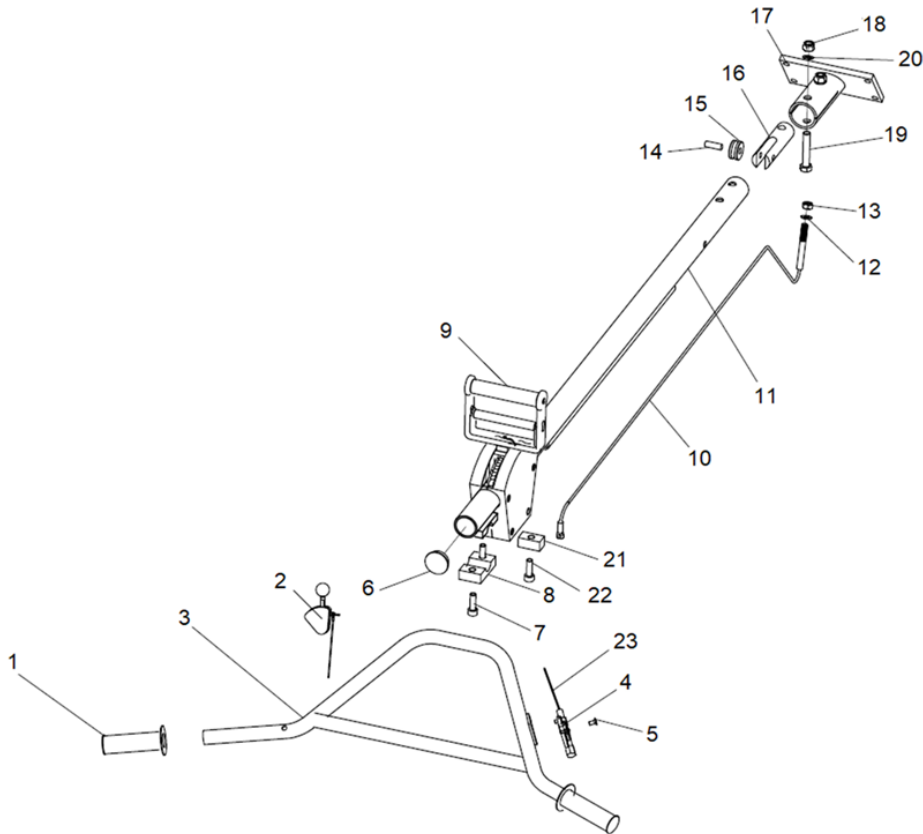


**Clutch (FT34-2 & FT40-2)**

Item No.	Product Code	Description	Qty	Remarks
1	See Remarks	FLX CLUTCH SPINDLE (SY-CTP436-0801A/B)	1	Use AS-1
2	See Remarks	FLX BEARING 6007 (SY-GB/T276-1994)	1	Use AS-1
3	See Remarks	FLX CLUTCH DRUM (SY-CTP436-0802)	1	Use AS-1
4	See Remarks	FLX CLUTCH BUSHING (SY-CTP436-0803)	1	Use AS-1
5	NPS07243-UNIT	FLX CLUTCH SHOES SET OF 4 (SY-BT-A001701)	1	
6	NPS07244-UNIT	FLX CLUTCH SPRING (SY-BT-A0018)	1	
7	See Remarks	FLX CLUTCH FACE PLATE (SY-CTP436-0806)	1	Use AS-1
8	See Remarks	FLX GRUB SCREW M8X16	1	Use AS-1

**Clutch (FT34-2 & FT40-2) Assembly / Service Kits**

Item No.	Product Code	Description	Qty	Remarks
AS-1	NPS00354-UNIT	FLX CLUTCH ASSY FT SERIES 1&2 (SY-B-LHQ-01)	1	Inc Items: 1 – 8



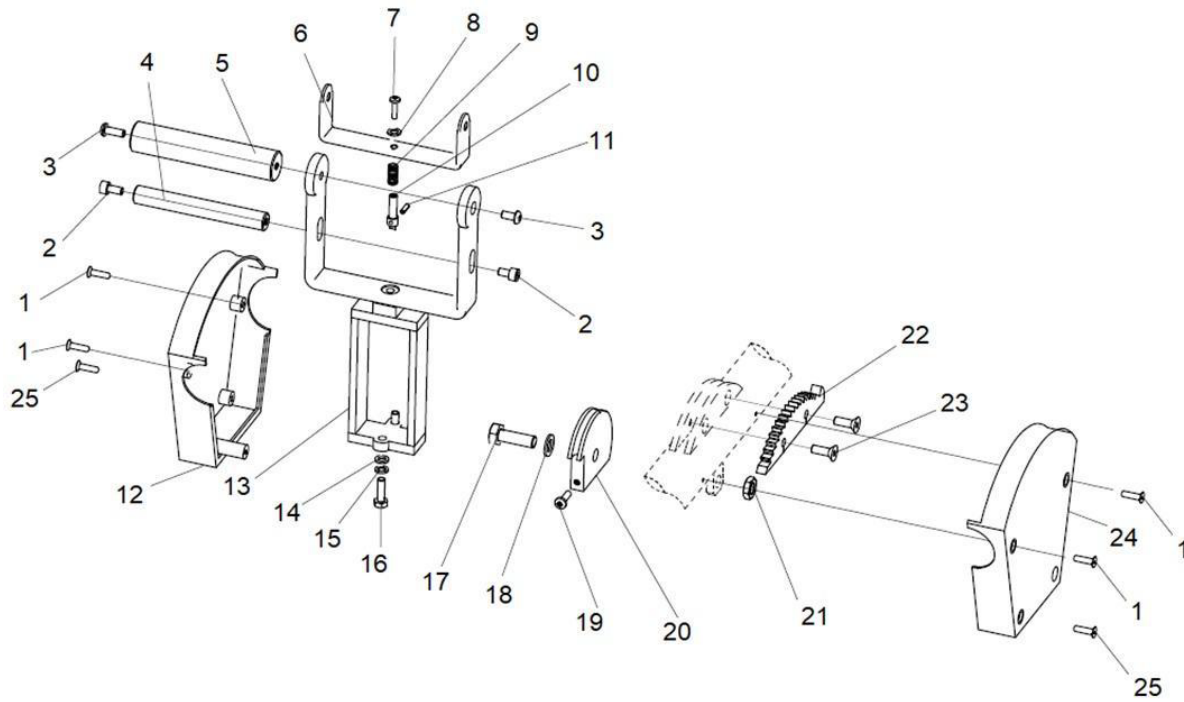
Handle (FT34-2 & FT40-2)

Item No.	Product Code	Description	Qty	Remarks
1	NPS01089-UNIT	FLX HANDLE GRIP (SY-R-250-001)	2	
2	NPS07245-UNIT	FLX CENTRIFUGAL SAFETY SWITCH ASSY (SY-BT-AQKG01)	1	
3	NPS01088-UNIT	FLX TROWEL HANDLEBAR (SY-BT-A0072)	1	
4	See Remarks	FLX THROTTLE LEVER FT34-2 & FT40-2 (SY-BT-A003)	1	Use AS-1
5	NPS07246-UNIT	FLX BOLT CSK M6X12 (SY-GB/T818-006-12)	2	
6	NPS07247-UNIT	FLX HANDLE STEM END PLUG (SY-L-122-0032)	1	
7	NPS00356-UNIT	FLX HEX SCREW M10X30 (SY-GB/T70.3-10-30)	2	
8	NPS00355-UNIT	FLX HANDLEBAR CLAMP (SY-B-XJK-001)	1	
9	See Remarks	FLX QUICK PITCH HANDLE (SY-L-122-0033)	1	See Page 9
10	NPS00214-UNIT	FLX TILT CABLE (SY-B-TJGSZJ-001)	1	
11	See Remarks	FLX HANDLE STEM (SY-B-ZT-001)	1	Use AS-2
12	NPS07212-UNIT	FLX WASHER FLAT M10 (SY-GB/T95-10)	1	
13	NPS07248-UNIT	FLX NY-LOCK NUT M10 (SY-R-205-CL1235)	1	
14	NPS07249-UNIT	FLX ROLLER PIN (SY-R-20000154)	1	
15	NPS07250-UNIT	FLX TILT CABLE ROLLER (SY-R-CR-Z00241)	1	
16	NPS07251-UNIT	FLX TILT BUSHING (SY-BT-A0075)	1	
17	NPS07252-UNIT	FLX ADAPTOR - HANDLE TO GEARBOX (SY-L-FSLJB-001)	1	
18	NPS07253-UNIT	FLX NY-LOCK NUT M12 (SY-GB/T923-M12)	1	
19	NPS07254-UNIT	FLX BOLT M12X70 (SY-GB/T5780-12-70)	1	
20	NPS07255-UNIT	FLX WASHER FLAT M12 (SY-GB/T95-12)	1	
21	NPS07256-UNIT	FLX CABLE HOLDER (SY-L-XPK-001)	1	
22	NPS07257-UNIT	FLX TAPPING SCREW M5X15 (SY-R-P436-C162-05)	1	
23	See Remarks	FLX THROTTLE CABLE (SY-L-YMX-002)	1	Use AS-1

Handle (FT34-2 & FT40-2) Assembly / Service Kits

Item No.	Product Code	Description	Qty	Remarks
AS-1	NPS90044-UNIT	FLX THROT LEVER & CABLE FT34-2 & FT40-2 (SY-CTP436-0006)	1	Inc Items: 4,23
AS-2	NPS07258-UNIT	FLX QP HANDLE ASSY FT SERIES 2 (SY-L-CZHJJ-001)	1	Inc Items: 1-23



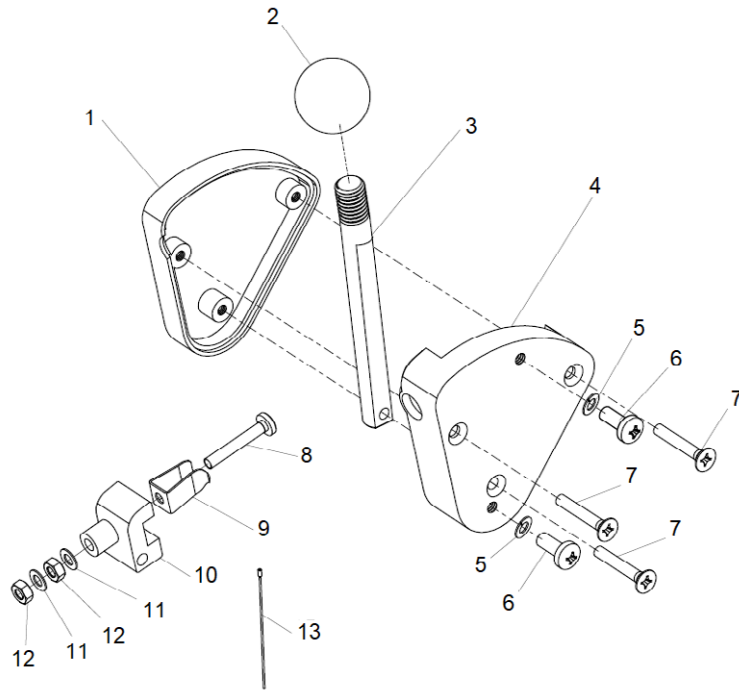


Quick Pitch Handle (FT34-2 & FT40-2)

Item No.	Product Code	Description	Qty	Remarks
1	NPS07259-UNIT	FLX BOLT CSK M5X20 (SY-GB/T818-5-20)	4	
2	NPS07260-UNIT	FLX BOLT M6X8 (SY-GB/T70.3-06-08)	2	
3	NPS07261-UNIT	FLX BOLT M6X16 (SY-GB/T7991-06-16)	2	
4	NPS07262-UNIT	FLX QUICK PITCH PULL ROD (SY-L-JG123-002)	1	
5	NPS07263-UNIT	FLX QUICK PITCH TOP ROD (SY-L-JG123-001)	1	
6	NPS07264-UNIT	FLX QUICK PITCH PULL ARM (SY-R-NLS-5000)	1	
7	See Remarks	FLX BOLT M4X16 (SY-R-20000416)	1	Use SK-1
8	See Remarks	FLX WASHER SPRING M4 (SY-GB/T93-04)	1	Use SK-1
9	See Remarks	FLX SPRING (SY-R-P436-C163)	1	Use SK-1
10	See Remarks	FLX LOCKING PIN (SY-L-123-0039)	1	Use SK-1
11	See Remarks	FLX ROLL PIN 3X12MM (SY-GBT879.1-03-012)	1	Use SK-1
12	NPS07265-UNIT	FLX QUICK PITCH COVER LEFT (SY-R-LSFHZ-100)	1	
13	NPS07266-UNIT	FLX QUICK PITCH MAIN FRAME ASSY (SY-R-LSHJ-001)	1	
14	NPS07267-UNIT	FLX WASHER FLAT M6 (SY-GB/T95-06)	2	
15	NPS07268-UNIT	FLX WASHER SPRING M6 (SY-GB/T93-06)	1	
16	NPS07269-UNIT	FLX BOLT M6X20 (SY-B-226-CL021)	1	
17	NPS07271-UNIT	FLX BOLT M10X35 (SY-GB/T5780-10-35)	1	
18	NPS07212-UNIT	FLX WASHER FLAT M10 (SY-GB/T95-10)	1	
19	NPS07272-UNIT	FLX BOLT M5X16 (SY-R-20000318)	1	
20	NPS07273-UNIT	FLX TILT CABLE SEAT (SY-L-123-0043)	1	
21	NPS07248-UNIT	FLX NY-LOCK NUT M10 (SY-R-205-CL1235)	1	
22	NPS07275-UNIT	FLX RATCHET TEETH (SY-L-123-0044)	1	
23	NPS07276-UNIT	FLX BOLT M5X20 (SY-GB/T7991-05-020)	2	
24	NPS07277-UNIT	FLX QUICK PITCH COVER RIGHT (SY-L-123-0040)	1	
25	NPS07278-UNIT	FLX BOLT CSK M5X30 (SY-GB/T818-5-30)	2	

Quick Pitch Handle (FT34-2 & FT40-2) Assembly / Service Kits

Item No.	Product Code	Description	Qty	Remarks
SK-1	NPS00371-UNIT	FLX QUICK PITCH LOCK PIN KIT FT SERIES 2 (SY-FT-G43410100)	1	Inc Items: 7-11

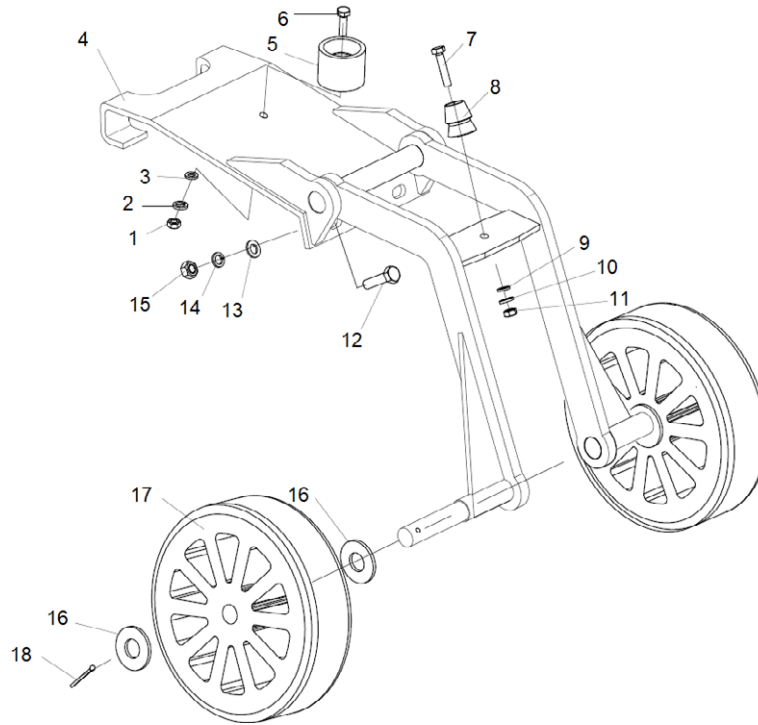


Safety Switch (FT34-2 & FT40-2)

Item No.	Product Code	Description	Qty	Remarks
1	See Remarks	FLX SAFETY SWITCH INNER COVER (SY-L-436-0001)	1	Use AS-1
2	See Remarks	FLX SAFETY SWITCH KNOB (SY-R-436-0002)	1	Use AS-1
3	See Remarks	FLX SAFETY SWITCH THROW ARM (SY-R-Z4X12)	1	Use AS-1
4	See Remarks	FLX SAFETY SWITCH OUTER COVER (SY-R-436-0003)	1	Use AS-1
5	See Remarks	FLX WASHER FLAT M5 (SY-GB/T95-05)	2	Use AS-1
6	See Remarks	FLX SCREW M5X10 (SY-GB/T818-05-010)	2	Use AS-1
7	See Remarks	FLX BOLT CSK M4X25 (SY-GB/T819-04-025)	3	Use AS-1
8	See Remarks	FLX BOLT M4X20 (SY-GB/T818-04-20)	1	Use AS-1
9	See Remarks	FLX EARTH CONTACT (SY-R-436-0005)	1	Use AS-1
10	See Remarks	FLX EARTH CONTACT SEAT (SY-BT-A0012)	1	Use AS-1
11	See Remarks	FLX FLAT WASHER M4 (SY-TPD-001)	2	Use AS-1
12	See Remarks	FLX NUT M4 (SY-R-E436-CL0025)	2	Use AS-1
13	See Remarks	FLX SAFETY SWITCH CABLE (SY-R-436-0006)	1	Use AS-1

Safety Switch (FT34-2 & FT40-2) Assembly / Service Kits

Item No.	Product Code	Description	Qty	Remarks
AS-1	NPS07245-UNIT	FLX CENTRIFUGAL SAFETY SWITCH ASSY (SY-BT-AQKG01)	1	Inc Items: 1-13



Wheel Kit (FT34-2 Only)

Item No.	Product Code	Description	Qty	Remarks
1	NPS07279-UNIT	FLX NY-LOCK NUT M6 (SY-GB/T6170-06)	2	
2	NPS07268-UNIT	FLX WASHER SPRING M6 (SY-GB/T93-06)	2	
3	NPS07267-UNIT	FLX WASHER FLAT M6 (SY-GB/T95-06)	2	
4	See Remarks	FLX WHEEL KIT MAIN CHASSIS (SY-L-TLJ-001)	1	Use AS-1
5	NPS07280-UNIT	FLX RUBBER PLUG FEMALE (SY-20001160)	1	
6	NPS07281-UNIT	FLX BOLT M6X12 (SY-GB/T5780-06-012)	1	
7	NPS07269-UNIT	FLX BOLT M6X20 (SY-B-226-CL021)	8	
8	NPS07282-UNIT	FLX RUBBER PLUG MALE (SY-R-XJK-001)	1	
9	NPS07267-UNIT	FLX WASHER FLAT M6 (SY-GB/T95-06)	2	
10	NPS07268-UNIT	FLX WASHER SPRING M6 (SY-GB/T93-06)	2	
11	NPS07279-UNIT	FLX NY-LOCK NUT M6 (SY-GB/T6170-06)	2	
12	NPS00408-UNIT	FLX BOLT M8X25 (SY-GB/T5780-08-25)	2	
13	NPS07228-UNIT	FLX WASHER FLAT M8 (SY-GB/T95-08)	2	
14	NPS00404-UNIT	FLX WASHER SPRING M8 (SY-GB/T93-08)	2	
15	NPS00406-UNIT	FLX NY-LOCK NUT M8 (SY-GB/T93-08)	2	
16	NPS07283-UNIT	FLX RETAINING WASHER 17X38X3MM (SY-GBT96.1-17-3803)	4	
17	NPS07284-UNIT	FLX WHEEL (200x45) (SY-R-GL-07)	2	
18	NPS07285-UNIT	FLX SPLIT PIN 2.5X25MM (SY-GB/T91-2.5-035)	2	

Wheel Kit (FT34-2 Only)

Item No.	Product Code	Description	Qty	Remarks
AS-1	FT201809-UNIT	FLX POWER TROWEL WHEEL KIT (SY-CTP434-WK)	1	Inc Items: 1-18



## **Parchem Construction Supplies Pty Ltd**

1956 Dandenong Road, Clayton VIC 3168, Australia

Phone: 1300 353 986

[flextool.com.au](http://flextool.com.au)

ABN 80 069 961 968

This manual summarises our best knowledge of the product based on the information available at the time of publication. You should read this manual carefully and consider the information in the context of how the product will be used. Our responsibility for products sold is subject to our standard terms and conditions of sale.

### **DISCLAIMER:**

Any advice, recommendation, information, assistance or service provided by us in this manual is given in good faith and is believed by us to be appropriate and reliable. However, any advice, recommendation, information, assistance or service provided by us is provided without liability or responsibility PROVIDED THAT the foregoing shall not exclude, limit, restrict or modify the right entitlements and remedies conferred upon any person or the liabilities imposed upon us by any condition or warranty implied by Commonwealth, State or Territory Act or ordinance void or prohibiting such exclusion limitation or modification. The product can be expected to perform as indicated in this manual so long as operation and operational procedures of the individual products are followed as recommended in this manual.

Design and technical specifications may be subject to changes.

© This publication is copyright. All rights are reserved. Flextool is a registered trade mark and TuffTruk is a trade mark of Parchem Construction Supplies Pty Ltd.

**FOR MORE INFORMATION**

**CONTACT US ON 1300 353 986 OR VISIT [flextool.com.au](http://flextool.com.au)**