



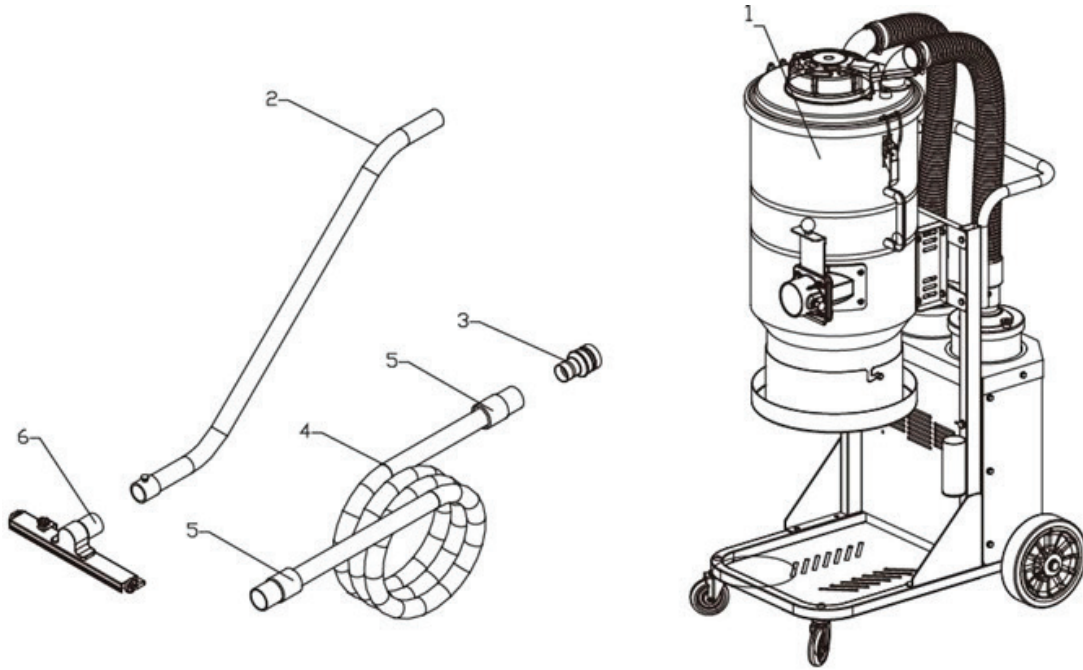
SPARE PARTS MANUAL

FLEXTOOL DUST COLLECTOR FDC-1M



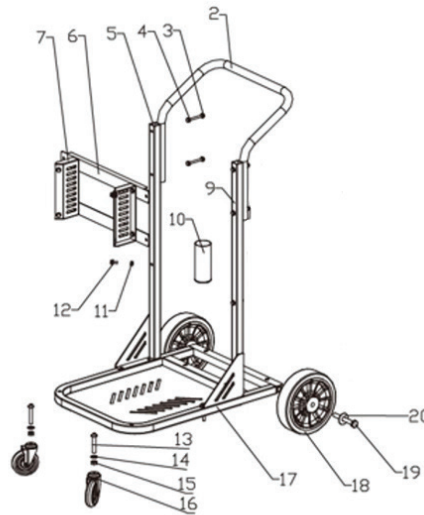
Version 1.0 (November 2022)

FOR MORE INFORMATION
CONTACT US ON **1300 353 986** OR VISIT flextool.com.au



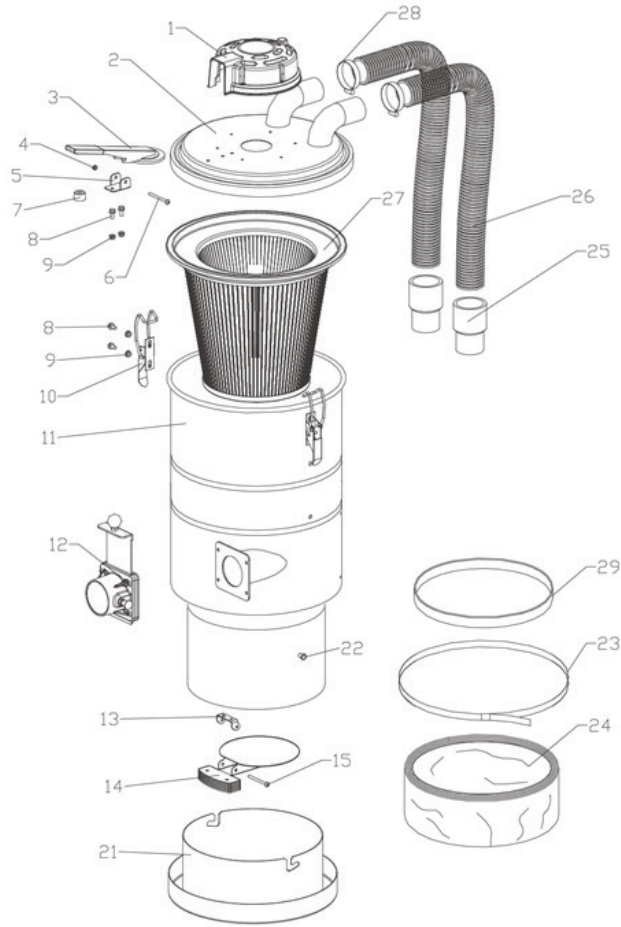
Accessories (FDC-1M)

Item No.	Product Code	Description	Qty	Remarks
1	FT100462-UNIT	FLX DUST COLLECTOR MANUAL CLEANER FDC-1M (BER-TS2000)	1	
2	FT100465-UNIT	FLX DUST COLLECTOR WAND ASSY 50MM (BER-S8046)	1	
3	FT101803-UNIT	FLX D70/50 REDUCER (BER-C2031)	1	
4	FT100464-UNIT	FLX DUST COLLECTOR HOSE 50MM (7.5M) (BER-S8008)	1	
5	FT100471-UNIT	FLX DUST COLLECTOR D50 HOSE CUFF (BER-S8006)	2	
6	FT100466-UNIT	FLX DUST COLLECTOR FLOOR NOZZLE 50MM (BER-S8045)	1	



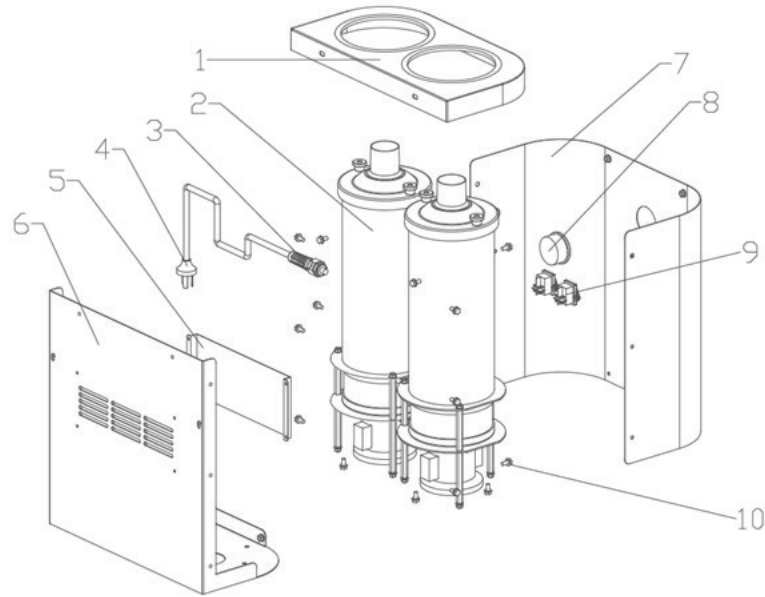
Frame (FDC-1M)

Item No.	Product Code	Description	Qty	Remarks
2	NPS22266-UNIT	FLX WAGON COMPLETE PACKING (BER-C2142)	1	
3	NPS22267-UNIT	FLX LOCKNUT M6 (BER-S0013)	4	
4	NPS22268-UNIT	FLX HEXAGON BOLT M6*60 (BER-S0028)	1	
5	NPS22269-UNIT	FLX RIGHT STAND COLUMN (BER-C2141)	1	
6	NPS22294-UNIT	FLX CROSS-BAR (BER-C2157)	2	
7	NPS22295-UNIT	FLX BARREL HOLDER (BER-C2159)	2	
9	NPS22270-UNIT	FLX LEFT STAND COLUMN (BER-C2140)	1	
10	NPS22271-UNIT	FLX NYLON CABLE TIE STORAGE (BER-C2083)	1	
11	NPS22293-UNIT	FLX NUT M6 (BER-S0011)	8	
12	NPS22290-UNIT	FLX BOLT M6*12 (BER-S0010)	8	
13	NPS22300-UNIT	FLX HEXAGON BOLT M10*60 (BER-S0032)	2	
14	NPS22301-UNIT	FLX PLAIN CUSHION M10 (BER-S0045)	2	
15	NPS22272-UNIT	FLX LOCK NUT M10 (BER-S0015)	2	
16	NPS22302-UNIT	FLX UNIVERSAL WHEELS 3" (BER-S9030)	2	
17	NPS22273-UNIT	FLX BED PLATE (BER-C2136)	1	
18	NPS22303-UNIT	FLX HEAVY DUSTY CASTER 8" (BER-S9011)	2	
19	NPS22304-UNIT	FLX HEXAGON BOLT M12*100 (BER-S0033)	2	
20	NPS22305-UNIT	FLX CUSHION M12*30*2.5 (BER-S0046)	2	



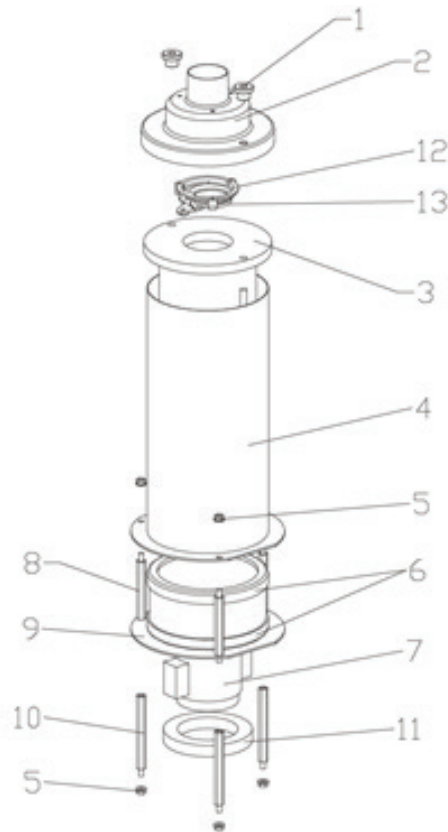
Top Housing & Barrel (FDC-1M)

Item No.	Product Code	Description	Qty	Remarks
1	NPS22334-UNIT	FLX PLASTIC COVER (BER-C3026)	1	
2	NPS22296-UNIT	FLX TOP CAP (BER-C2118)	1	
3	NPS22335-UNIT	FLX LEVER (BER-C2134)	1	
4	NPS22267-UNIT	FLX LOCKNUT M6 (BER-S0013)	5	
5	NPS22336-UNIT	FLX LEVER HOLDER (BER-C2057)	1	
6	NPS22268-UNIT	FLX HEXAGON BOLT M6*60 (BER-S0028)	2	
7	NPS22337-UNIT	FLX CUSHION (BER-S0088)	1	
8	NPS22290-UNIT	FLX BOLT M6*12(BER-S0010)	6	
9	NPS22293-UNIT	FLX NUT M6 (BER-S0011)	8	
10	NPS22315-UNIT	FLX HOLDER (BER-S0059)	2	
11	NPS22297-UNIT	FLX BARREL (BER-C2121)	1	
12	NPS22316-UNIT	FLX D70 INLET KIT (BER-B0008)	1	
13	NPS22317-UNIT	FLX FLAP HOLDER (BER-C2092)	1	
14	NPS22338-UNIT	FLX FLAP KIT AY (BER-C2090)	1	
15	NPS22268-UNIT	FLX HEXAGON BOLT M6*60 (BER-S0028)	1	
21	NPS22298-UNIT	FLX BAGGING SYSTEM HOLDER (BER-C2084)	1	
22	NPS22282-UNIT	FLX NUT M8*15 (BER-S0101)	2	
23	NPS22318-UNIT	FLX BUNDLING BELT (BER-S0090)	1	
24	FT100467-UNIT	FLX DUST COLLECTOR BAGGING SYSTEM 4 PACK (BER-S8035)	1	
25	FT100471-UNIT	FLX DUST COLLECTOR D50 HOSE CUFF (BER-S8006)	2	
26	NPS22314-UNIT	FLX D50 EVA HOSE D50*520MM (BER-S8007)	2	
27	FT100468-UNIT	FLX DUST COLLECTOR FILTER CONICAL FDC-1M (BER-S8029)	1	
28	NPS22312-UNIT	FLX HOSE CLAMP (BER-S0092)	2	
29	NPS22339-UNIT	FLX RUBBER RING (BER-S8036)	1	



Motor (FDC-1M)

Item No.	Product Code	Description	Qty	Remarks
1	NPS22299-UNIT	FLX MOTOR COVER(TOP) (BER-C2126)	1	
2	NPS22286-UNIT	FLX MOTOR KIT (BER-B0048)	2	
3	NPS22319-UNIT	FLX CONNECTOR PG11 (BER-S0006)	1	
4	NPS22320-UNIT	FLX CABLE WITH PLUG (BER-S2002)	1	
5	NPS22287-UNIT	FLX BAFFLE (BER-C1106)	1	
6	NPS22288-UNIT	FLX MOTOR COVER (BER-C2128)	1	
7	NPS22289-UNIT	FLX MOTOR COVER (BER-C2131)	1	
8	NPS22321-UNIT	FLX VACUUM METER (BER-S9022)	1	
9	NPS22323-UNIT	FLX ON/OFF SWITCH (BER-S1001)	2	
10	NPS22290-UNIT	FLX BOLT M6*12 (BER-S0010)	20	



Filter (FDC-1M)

Item No.	Product Code	Description	Qty	Remarks
1	NPS22292-UNIT	FLX NUT M8 (BER-S0091)	2	
2	NPS22324-UNIT	FLX HEPA FILTER TOP COVER (BER-C2333)	1	
3	FT100469-UNIT	FLX DUST COLLECTOR FILTER H13 (BER-S8031)	1	
4	NPS22325-UNIT	FLX HEPA FILTER COVER (BER-C2116)	1	
5	NPS22293-UNIT	FLX NUT M6 (BER-S0011)	6	
6	NPS22326-UNIT	FLX SHOCK ABSORBER RING (BER-C3007)	2	
7	NPS22327-UNIT	FLX SINGLE PHASE MOTOR (BER-S1034)	1	
8	NPS22328-UNIT	FLX SCREWS-1 M6-76.5 (BER-S0086)	3	
9	NPS22329-UNIT	FLX TS MOTOR FIXED PLATE (BER-C2123)	1	
10	NPS22330-UNIT	FLX SCREWS-2 M6-96.5 (BER-S0087)	3	
11	NPS22331-UNIT	FLX SOUNDPROOF SPONGE (BER-S9028)	1	
12	NPS22332-UNIT	FLX CHECK VALVE PLATE (BER-S9029)	1	
13	NPS22333-UNIT	FLX CHECK VALVE (BER-C3055)	1	



Parchem Construction Supplies Pty Ltd

1956 Dandenong Road, Clayton VIC 3168, Australia

Phone: 1300 353 986

flextool.com.au

ABN 80 069 961 968

This manual summarises our best knowledge of the product based on the information available at the time of publication. You should read this manual carefully and consider the information in the context of how the product will be used. Our responsibility for products sold is subject to our standard terms and conditions of sale.

DISCLAIMER:

Any advice, recommendation, information, assistance or service provided by us in this manual is given in good faith and is believed by us to be appropriate and reliable. However, any advice, recommendation, information, assistance or service provided by us is provided without liability or responsibility PROVIDED THAT the foregoing shall not exclude, limit, restrict or modify the right entitlements and remedies conferred upon any person or the liabilities imposed upon us by any condition or warranty implied by Commonwealth, State or Territory Act or ordinance void or prohibiting such exclusion limitation or modification. The product can be expected to perform as indicated in this manual so long as operation and operational procedures of the individual products are followed as recommended in this manual.

Design and technical specifications may be subject to changes.

Export product variations are only available for sale outside of Australia.

© This publication is copyright. All rights are reserved. Flextool is a registered trade mark of Parchem Construction Supplies Pty Ltd.

FOR MORE INFORMATION

CONTACT US ON 1300 353 986 OR VISIT flextool.com.au