

2. VIBRATOR

Part Number: 4161-15979  
Part Name: VIBRATING PLATE/MVC-88G

Remarks: without Vibrating Case  
**DISCONTINUED**

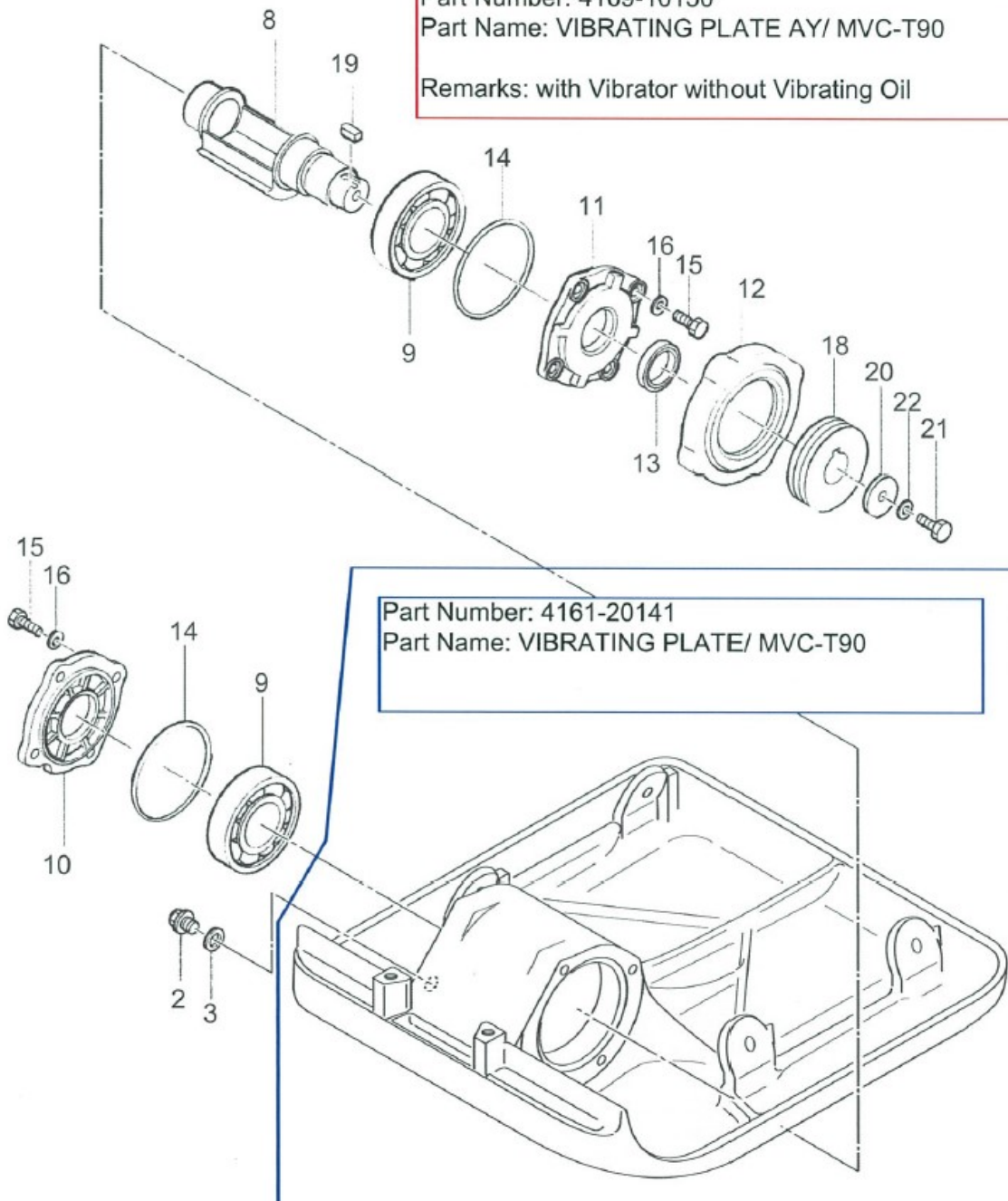


4UF0

VIBRATOR

Part Number: 4169-10150  
Part Name: VIBRATING PLATE AY/ MVC-T90

Remarks: with Vibrator without Vibrating Oil



Part Number: 4161-20141  
Part Name: VIBRATING PLATE/ MVC-T90

## 2. VIBRATOR

NO.	PART/NO.	PART NAME	Q' TY	MK	MK2	REMARKS
2	9534-05270	PLUG 1/4X14 13L	1			
3	9534-05260	PACKING 1/4 (CU)	1			
8	4162-18390	ECCENTRIC ROTATOR/T90	1			
9	0404-06211	BEARING 6211C4	2			
10	4163-38909	CASECOVER (R) /MVC-T90	1			
11	4163-38919	CASE COVER (L) /MVC-T90	1			
12	4163-49930	BELT COVER GUARD/T90	1			
13	0604-03060	OIL SEAL TC-35488	1			
14	0501-01000	O-RING G-100	2			
15	0012-20820	BOLT 8X20 T	8			
16	0302-08200	SW M8	8			
18	4164-64470	PULLEY 64/T90	1			
19	9514-05240	KEY 7X7X19 R	1			
20	9524-04250	WASHER 11X40X4	1			
21	0012-21025	BOLT 10X25 T	1			
22	0302-10250	SW M10	1			