



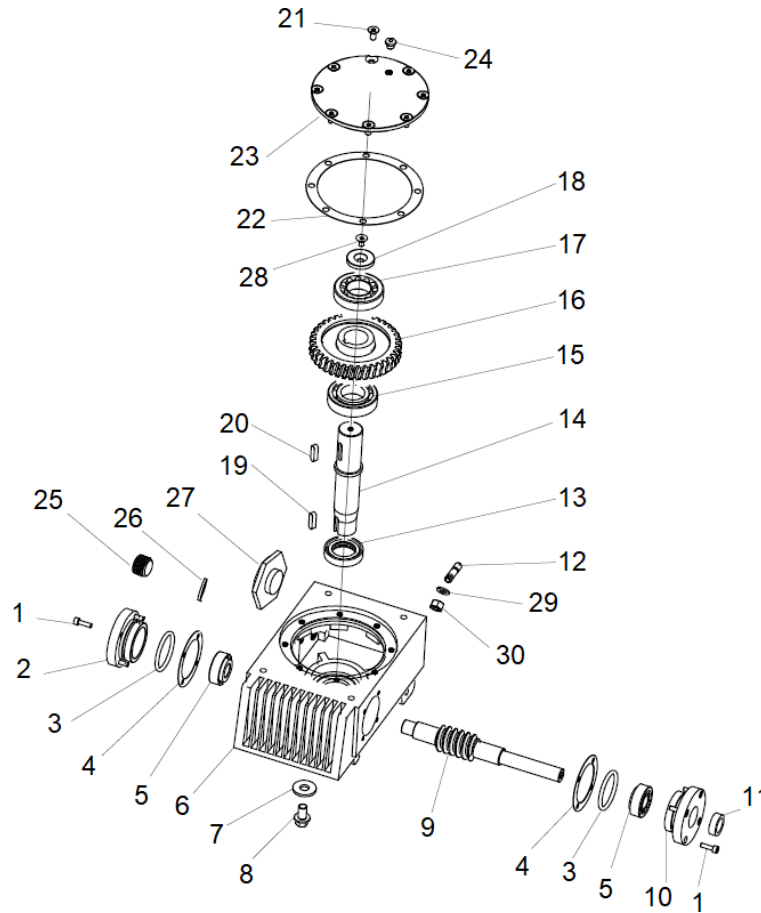
SPARE PARTS MANUAL

FLEXTOOL WALK-BEHIND POWER TROWEL FT34-2, FT40-2



Version 2.0 (April 2023)

FOR MORE INFORMATION
CONTACT US ON 1300 353 986 OR VISIT flextool.com.au



Gearbox (FT34-2 and FT40-2)

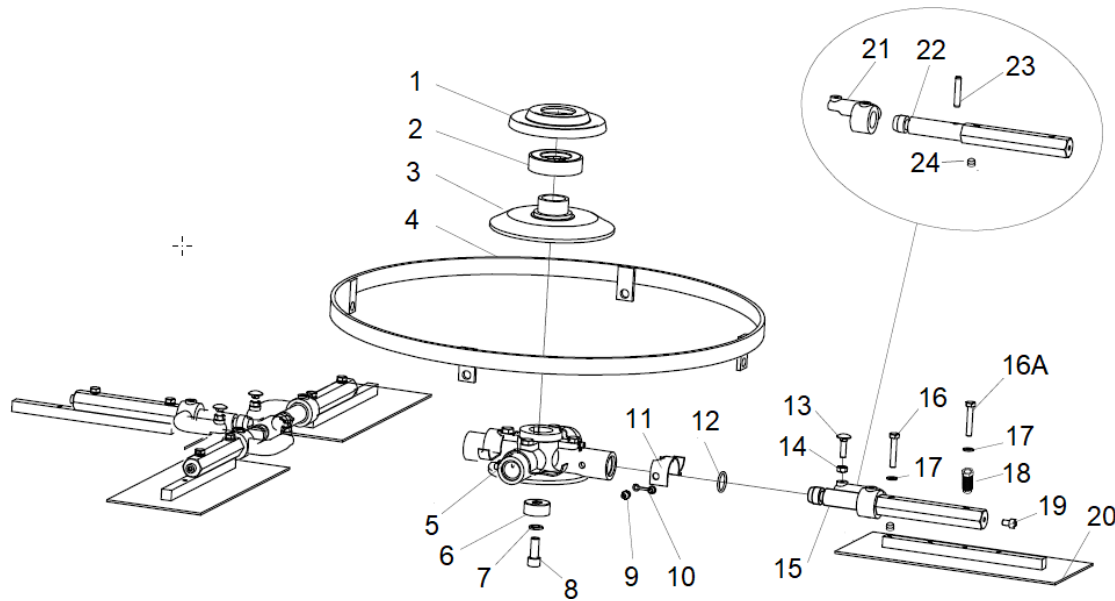
| Item No. | Product Code | Description | Qty | Remarks |
|----------|---------------|---|-----|----------|
| 1 | NPS07186-UNIT | FLX BOLT M6X20 (SY-GBT70.1-6-20) | 8 | |
| 2 | NPS07187-UNIT | FLX END CAP BEARING WORM GEAR (SY-BT-ZCG-001) | 1 | |
| 3 | NPS07188-UNIT | FLX O-RING 53X3.1 (SY-GBT345215531) | 2 | |
| 4 | NPS07189-UNIT | FLX GASKET (SY-L-ZCGZDQ-001) | 2 | |
| 5 | NPS07190-UNIT | FLX BEARING 32204 (SY-U-32204-C&U) | 2 | |
| 6 | See Remarks | FLX GEARBOX MAIN HOUSING (SY-BT-A0081) | 1 | Use AS-1 |
| 7 | NPS07191-UNIT | FLX WASHER SEAL (SY-GBT97.2-12-18-2) | 1 | |
| 8 | NPS07192-UNIT | FLX BOLT M12X10 P1.25 (DRAIN PLUG) (SY-JBZQ4450-12-1.5) | 1 | |
| 9 | NPS07193-UNIT | FLX WORM SHAFT (SY-BT-A0066) | 1 | |
| 10 | NPS07194-UNIT | FLX FLANGE BEARING WORM GEAR (SY-BT-A065) | 1 | |
| 11 | NPS07195-UNIT | FLX OIL SEAL 32X20X7 (SY-GBT13871-203207) | 1 | |
| 12 | NPS07196-UNIT | FLX STUD M14X40 (SY-GB/T901-10-045) | 1 | |
| 13 | NPS07197-UNIT | FLX OIL SEAL 54X35X8 (SY-GB102717-355408) | 1 | |
| 14 | NPS07198-UNIT | FLX MAIN SHAFT (SY-R-CT436-WLZ02) | 1 | |
| 15 | NPS07199-UNIT | FLX BEARING (SY-U-6007) | 1 | |
| 16 | NPS07200-UNIT | FLX MAIN GEAR (SY-L-222-001) | 1 | |
| 17 | NPS07201-UNIT | FLX BEARING (TOP) 30207 (SY-U-30207-C&U) | 1 | |
| 18 | NPS07202-UNIT | FLX RETAINER (SY-R-P436-DQ) | 1 | |
| 19 | NPS07203-UNIT | FLX KEY 8X30 (SY-GB/T1096-08-30) | 1 | |
| 20 | NPS07203-UNIT | FLX KEY 8X30 (SY-GB/T1096-08-30) | 1 | |
| 21 | NPS07204-UNIT | FLX BOLT CSK M6X20 (SY-GB/T70.3-06X20) | 9 | |
| 22 | NPS07205-UNIT | FLX GASKET TOP COVER (SY-BT-A0061) | 1 | |
| 23 | NPS07206-UNIT | FLX GEAR BOX TOP COVER (SY-BT-XT-001) | 1 | |
| 24 | NPS07207-UNIT | FLX BREATHER GEARBOX (SY-R-424-20000171) | 1 | |

Gearbox (FT34-2 and FT40-2) Continued

| Item No. | Product Code | Description | Qty | Remarks |
|----------|---------------|---|-----|---------|
| 25 | NPS07208-UNIT | FLX OIL FILLER PLUG (SY-B-182-CL0002) | 1 | |
| 26 | NPS07209-UNIT | FLX COPPER WASHER 18MM (SY-GB/T97.2-18) | 1 | |
| 27 | NPS00046-UNIT | FLX GEARBOX SIGHT GLASS (SY-JBT794122715) | 1 | |
| 28 | NPS07211-UNIT | FLX BOLT CSK M8X20 (SY-GB/T70.3-8-20) | 1 | |
| 29 | NPS07212-UNIT | FLX WASHER FLAT M10 (SY-GB/T95-10) | 4 | |
| 30 | NPS07248-UNIT | FLX NY-LOCK NUT M10 (SY-R-205-CL1235) | 4 | |

Gearbox (FT34-2 and FT40-2) Assembly / Service Kits

| Item No. | Product Code | Description | Qty | Remarks |
|----------|---------------|------------------------------------|-----|-----------------|
| AS-1 | NPS07213-UNIT | FLX GEARBOX ASSEMBLY (SY-L-XT-001) | 1 | Inc Items: 1-24 |



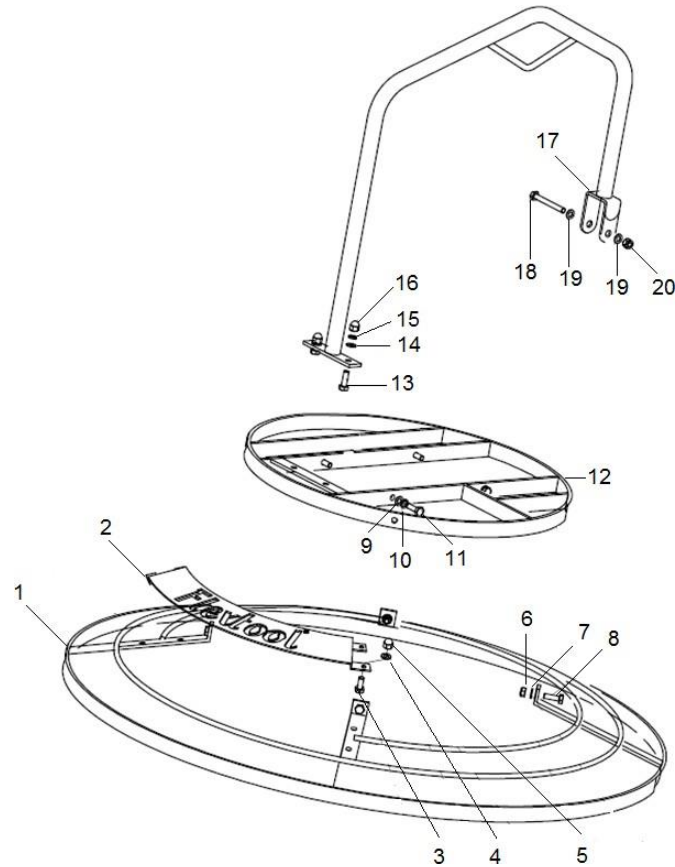
Spider Plate (FT34-2 and FT40-2)

| Item No. | Product Code | Description | Qty | Remarks |
|----------|---------------|---|-----|---|
| 1 | NPS07214-UNIT | FLX PRESSURE PLATE COVER (SY-BT-A083) | 1 | |
| 2 | NPS07215-UNIT | FLX PRESSURE PLATE BEARING (SY-R-436-002) | 1 | |
| 3 | NPS00349-UNIT | FLX PRESSURE PLATE FT SERIES 1 & 2 (SY-BT-A084) | 1 | |
| 4 | See Remarks | FLX STABILISER RING (SY-BT-A0085) | 1 | Not used on FT34-2 and FT40-2 Models |
| 5 | See Remarks | FLX SPIDER PLATE (SY-L-P436SZJ) | 1 | Use AS-1 |
| 6 | NPS07216-UNIT | FLX RETAINING BUSH (SY-20000602) | 1 | |
| 7 | NPS07217-UNIT | FLX WASHER SPRING M12 (SY-R-E836-CL00030) | 1 | |
| 8 | NPS07218-UNIT | FLX BOLT M12X30 (SY-GB/T70.3-12-030) | 1 | |
| 9 | NPS07219-UNIT | FLX GREASE NIPPLE (SY-JBT7940.1-10-01) | 4 | |
| 10 | NPS07220-UNIT | FLX GREASE NIPPLE COVER (SY-R-E836-C138) | 4 | |
| 11 | NPS07221-UNIT | FLX BLADE RETURN SPRING (SY-BT-A0200) | 4 | |
| 12 | NPS07222-UNIT | FLX O-RING 35X3.5MM (SY-GBT3452.3-3035) | 4 | |
| 13 | NPS07223-UNIT | FLX DOME HEAD BOLT M8X30 (SY-GB/T12-08-30) | 4 | |
| 14 | NPS07224-UNIT | FLX NUT M8 (SY-20000372M8) | 4 | |
| 15 | See Remarks | FLX BLADE ARM ASSY (SY-B-294) | 4 | Use AS-2 |
| 16 | See Remarks | FLX BOLT M8X45 (SY-GB/T5780-08-45) | 4 | Included with replacement Trowel Blades Set |
| 16A | See Remarks | FLX BOLT M8X55 (SY-GB/T5780-08-55) | 4 | |
| 17 | See Remarks | FLX WASHER FLAT M8 (SY-GB/T95-08) | 8 | |
| 18 | NPS07225-UNIT | FLX BLADE ADJUSTMENT INSERT (SY-GB/T-M16X15) | 4 | |
| 19 | See Remarks | FLX BOLT M8X12 (SY-GB/T70.1-08-12) | 4 | Not used on FT34-2 and FT40-2 Models |
| 20 | See Remarks | FLX TROWEL BLADE (SY-B-JMDP-34X18) | 4 | See Trowel Blades |
| 21 | See Remarks | FLX BLADE TILT ARM (SY-R-LJB-007) | 4 | Use AS-2 |
| 22 | See Remarks | FLX BLADE ARM (SY-R-LJB-006) | 4 | Use AS-2 |
| 23 | See Remarks | FLX ROLL PIN 8X45MM (SY-GB/T879.4-08-45) | 4 | Use AS-2 |
| 24 | See Remarks | FLX BLADE ARM INSERT (SY-R-DQ-1) | 4 | Use AS-2 |

Spider Plate (FT34-2 and FT40-2) Assembly / Service Kits

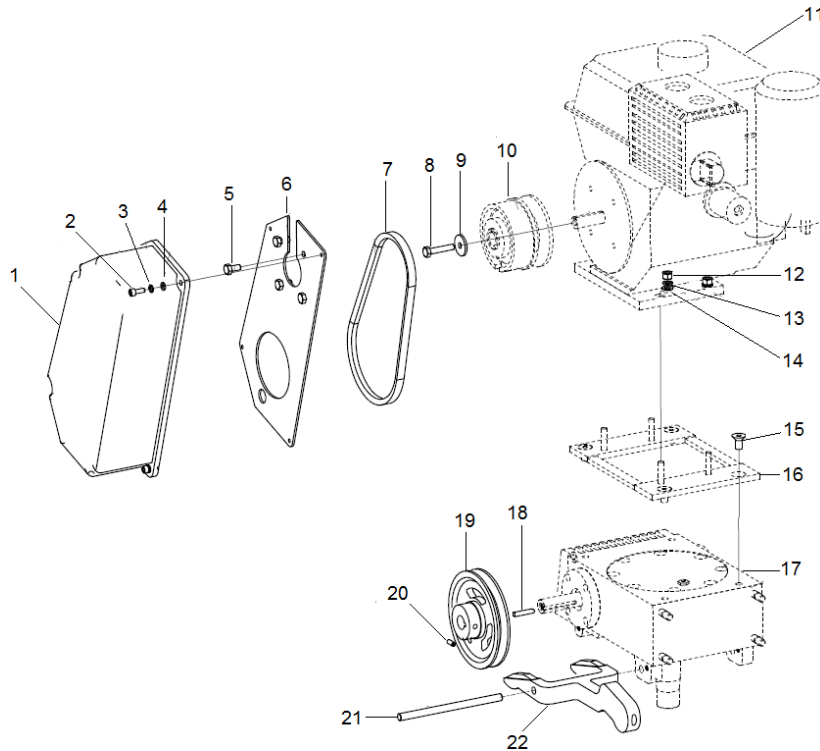
| Item No. | Product Code | Description | Qty | Remarks |
|----------|---------------|--|-----|---------------------------|
| AS-1 | NPS00213-UNIT | FLX SPIDER PLATE ASSY FT34-2 & FT40-2 (SY-CTP436-0700) | 1 | Inc Items: 5, 9-18, 21-24 |
| AS-2 | NPS00215-UNIT | FLX TROWEL ARM ASSY FT34-2 & FT40-2 (SY-B-294) | 4 | Inc Items: 21-24 |

| | | | | |
|-------------------|---------------|--|---|----------------------|
| Trowel Blade Sets | FT201821-UNIT | FLX TROWEL BLADE COMBI 185X320MM (4PK) (SY-CCB34-187) | 1 | Inc Items: 16-18, 20 |
| | FT201822-UNIT | FLX TROWEL BLADE COMBI 195X370MM (4PK) (SY-CCB40-195) | 1 | Inc Items: 16-18, 20 |
| | FT201823-UNIT | FLX TROWEL BLADE FINISH 150X325MM (4PK) (SY-CFB34-152) | 1 | Inc Items: 16-18, 20 |
| | FT201824-UNIT | FLX TROWEL BLADE FINISH 150X375MM (4PK) (SY-CFB40-152) | 1 | Inc Items: 16-18, 20 |



Blade Guard and Lifting Hook (FT34-2 and FT40-2)

| Item No. | Product Code | Description | Qty | Remarks |
|----------|---------------|--|-----|---------------------------|
| 1 | NPS00401-UNIT | FLX BLADE GUARD FRAME FT34-2 (SY-L-127-0047) | 1 | Used on FT34-2 Model Only |
| | NPS07226-UNIT | FLX BLADE GUARD FRAME FT40-2 (SY-L-127-0048) | 1 | Used on FT40-2 Model Only |
| 2 | NPS00402-UNIT | FLX LASER CUT FLEXTOOL PLATE FT34-2 (SY-R-127-0047) | 1 | Used on FT34-2 Model Only |
| | NPS07227-UNIT | FLX LASER CUT FLEXTOOL PLATE FT40-2 (SY-R-127-0048) | 1 | Used on FT40-2 Model Only |
| 3 | NPS00403-UNIT | FLX BOLT M8X20 (SY-GB-T5780-08-20) | 4 | |
| 4 | NPS00404-UNIT | FLX WASHER SPRING M8 (SY-GB/T93-08) | 4 | |
| 5 | NPS00405-UNIT | FLX NUT DOME M8 (SY-GB/T923-02) | 4 | |
| 6 | NPS00406-UNIT | FLX NY-LOCK NUT M8 (SY-L-L260-320CL427) | 4 | |
| 7 | NPS07228-UNIT | FLX WASHER FLAT M8 (SY-GB/T95-08) | 4 | |
| 8 | NPS00408-UNIT | FLX BOLT M8X25 (SY-GB/T5780-08-25) | 4 | |
| 9 | NPS07228-UNIT | FLX WASHER FLAT M8 (SY-GB/T95-08) | 4 | |
| 10 | NPS00404-UNIT | FLX WASHER SPRING M8 (SY-GB/T93-08) | 4 | |
| 11 | NPS00408-UNIT | FLX BOLT M8X25 (SY-GB/T5780-08-25) | 4 | |
| 12 | NPS07229-UNIT | FLX GUARD INNER FRAME (SY-BT-FHQZ-001) | 1 | |
| 13 | NPS00408-UNIT | FLX BOLT M8X25 (SY-GB/T5780-08-25) | 2 | |
| 14 | NPS07228-UNIT | FLX WASHER FLAT M8 (SY-GB/T95-08) | 2 | |
| 15 | NPS00404-UNIT | FLX WASHER SPRING M8 (SY-GB/T93-08) | 2 | |
| 16 | NPS00405-UNIT | FLX NUT DOME M8 (SY-GB/T923-02) | 2 | |
| 17 | NPS07231-UNIT | FLX LIFTING HOOK FT TROWEL (SERIES 2) (SY-L-436-001) | 1 | |
| 18 | NPS07232-UNIT | FLX BOLT M8X70 (SY-GB/T5780-08-70) | 1 | |
| 19 | NPS07228-UNIT | FLX WASHER FLAT M8 (SY-GB/T95-08) | 2 | |
| 20 | NPS00406-UNIT | FLX NY-LOCK NUT M8 (SY-L-L260-320CL427) | 1 | |

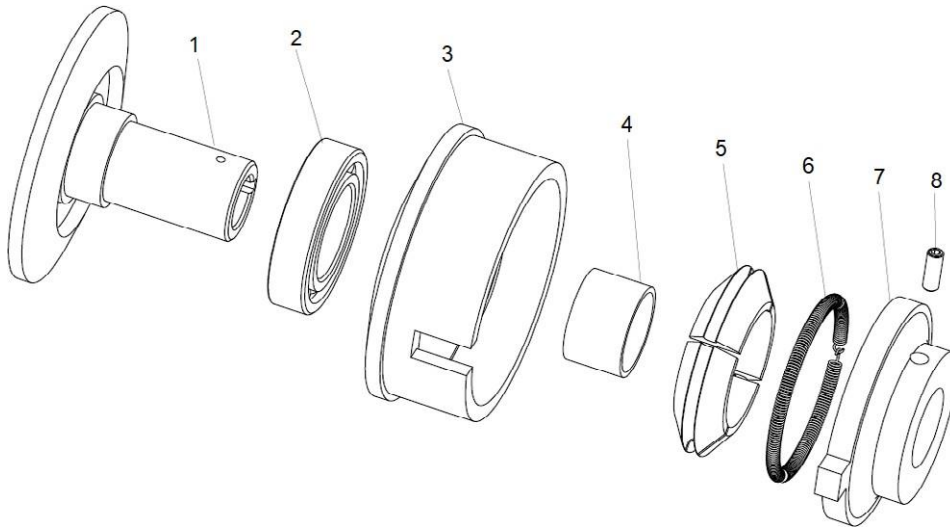


Drive System (FT34-2 and FT40-2)

| Item No. | Product Code | Description | Qty | Remarks |
|----------|---------------|--|-----|-------------------|
| 1 | See Remarks | FLX BELT GUARD (SY-BT-A0077) | 1 | Use AS-1 |
| 2 | See Remarks | FLX BOLT M6X16 (SY-GB/T7991-06-16) | 4 | Use AS-1 |
| 3 | See Remarks | FLX WASHER SPRING M6 (SY-GB/T93-06) | 4 | Use AS-1 |
| 4 | See Remarks | FLX WASHER FLAT M6 (SY-GB/T95-06) | 4 | Use AS-1 |
| 5 | See Remarks | FLX BOLT M8X16 (SY-GB/T5780-08-16) | 4 | Use AS-1 |
| 6 | See Remarks | FLX BELT GUARD INNER (SY-BT-A0078) | 1 | Use AS-1 |
| 7 | NPS00481-UNIT | FLX V-BELT A27 (SY-BT-A0057) | 1 | |
| 8 | NPS07233-UNIT | FLX BOLT M8X40 (SY-GB/T5780-08-40) | 1 | |
| 9 | NPS07234-UNIT | FLX RETAINER M8 (SY-GBT96.1-08-3003) | 1 | |
| 10 | NPS00354-UNIT | FLX CLUTCH ASSY FT SERIES 1&2 (SY-B-LHQ-01) | 1 | See Page 7 |
| 11 | NPS01628-UNIT | HON ENGINE GX160 QX (F01628) | 1 | |
| 12 | NPS00406-UNIT | FLX NY-LOCK NUT M8 (SY-L-L260-320CL427) | 4 | |
| 13 | NPS00404-UNIT | FLX WASHER SPRING M8 (SY-GB/T93-08) | 4 | |
| 14 | NPS07228-UNIT | FLX WASHER FLAT M8 (SY-GB/T95-08) | 4 | |
| 15 | NPS07235-UNIT | FLX BOLT CSK M10X20 (SY-GB/T70.3-10-20) | 4 | |
| 16 | NPS07236-UNIT | FLX MOUNTING PLATE ENGINE / GEARBOX (SY-L-FDJDB-001) | 1 | |
| 17 | NPS07213-UNIT | FLX GEAR BOX ASSY (SY-L-XT-001) | 1 | See Pages 2 and 3 |
| 18 | NPS07237-UNIT | FLX KEY 5X40 (SY-GB/T1096-05-40) | 1 | |
| 19 | NPS07238-UNIT | FLX PULLEY (SY-BT-A0058) | 1 | |
| 20 | NPS07239-UNIT | FLX GRUB SCREW M8X16 (SY-R-E436-CL00032) | 1 | |
| 21 | NPS07241-UNIT | FLX YOLK SHAFT (SY-L-BCX-003) | 1 | |
| 22 | NPS07242-UNIT | FLX BLADE TILT YOLK (SY-BT-A0025) | 1 | |

Drive System Assembly / Service Kit

| Item No. | Product Code | Description | Qty | Remarks |
|----------|---------------|--|-----|------------------|
| AS-1 | NPS00136-UNIT | FLX ASSY BELT GUARD KIT FT SERIES 1 & 2 (SY-CT434-BGKIT) | 1 | Inc Items: 1 - 6 |

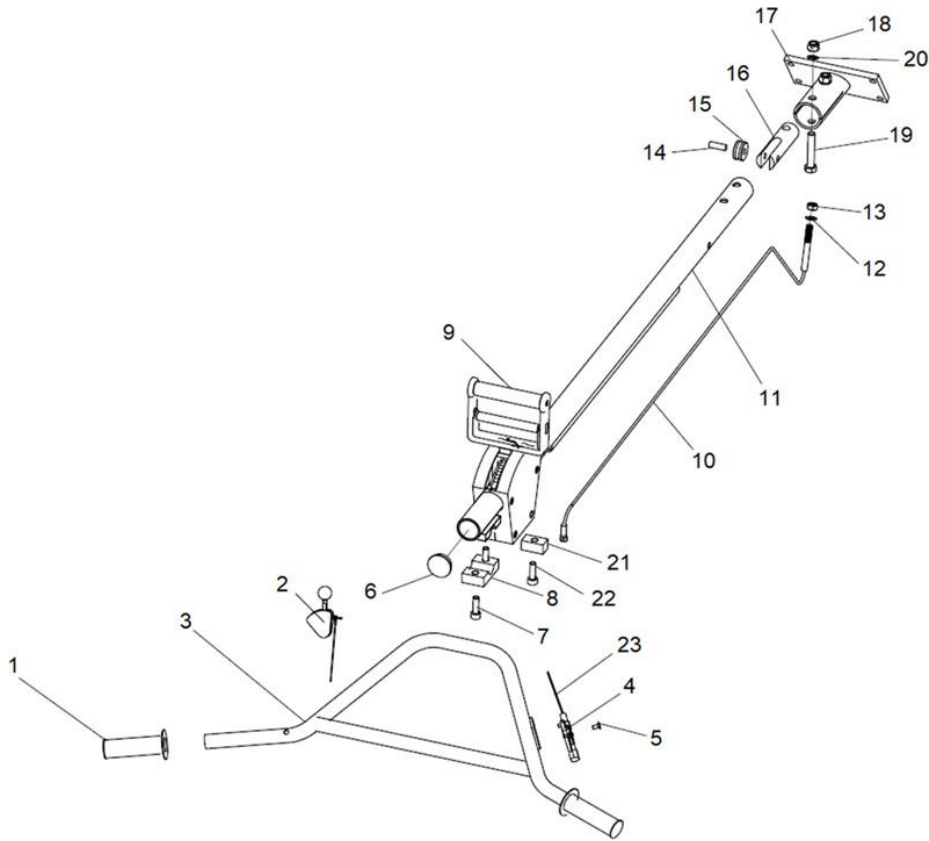


Clutch (FT34-2 and FT40-2)

| Item No. | Product Code | Description | Qty | Remarks |
|----------|---------------|---|-----|----------|
| 1 | See Remarks | FLX CLUTCH SPINDLE (SY-CTP436-0801A/B) | 1 | Use AS-1 |
| 2 | See Remarks | FLX BEARING 6007 (SY-GB/T276-1994) | 1 | Use AS-1 |
| 3 | See Remarks | FLX CLUTCH DRUM (SY-CTP436-0802) | 1 | Use AS-1 |
| 4 | See Remarks | FLX CLUTCH BUSHING (SY-CTP436-0803) | 1 | Use AS-1 |
| 5 | NPS07243-UNIT | FLX CLUTCH SHOES SET OF 4 (SY-BT-A001701) | 1 | |
| 6 | NPS07244-UNIT | FLX CLUTCH SPRING (SY-BT-A0018) | 1 | |
| 7 | See Remarks | FLX CLUTCH FACE PLATE (SY-CTP436-0806) | 1 | Use AS-1 |
| 8 | See Remarks | FLX GRUB SCREW M8X16 | 1 | Use AS-1 |

Clutch (FT34-2 and FT40-2) Assembly / Service Kits

| Item No. | Product Code | Description | Qty | Remarks |
|----------|---------------|---|-----|------------------|
| AS-1 | NPS00354-UNIT | FLX CLUTCH ASSY FT SERIES 1&2 (SY-B-LHQ-01) | 1 | Inc Items: 1 – 8 |

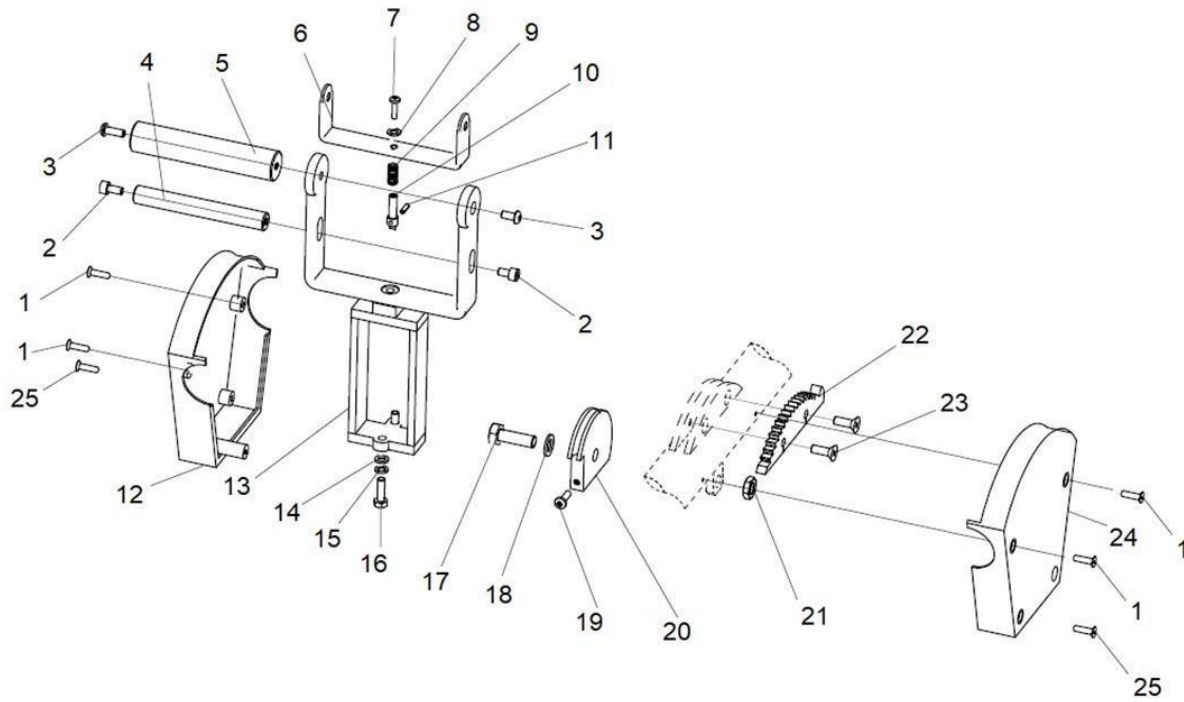


Handle (FT34-2 and FT40-2)

| Item No. | Product Code | Description | Qty | Remarks |
|----------|---------------|---|-----|------------|
| 1 | NPS01089-UNIT | FLX HANDLE GRIP (SY-R-250-001) | 2 | |
| 2 | NPS07245-UNIT | FLX CENTRIFUGAL SAFETY SWITCH ASSY (SY-BT-AQKG01) | 1 | |
| 3 | NPS01088-UNIT | FLX TROWEL HANDLEBAR (SY-BT-A0072) | 1 | |
| 4 | See Remarks | FLX THROTTLE LEVER FT34-2 & FT40-2 (SY-BT-A003) | 1 | Use AS-1 |
| 5 | NPS07246-UNIT | FLX BOLT CSK M6X12 (SY-GB/T818-006-12) | 2 | |
| 6 | NPS07247-UNIT | FLX HANDLE STEM END PLUG (SY-L-122-0032) | 1 | |
| 7 | NPS00356-UNIT | FLX HEX SCREW M10X30 (SY-GB/T70.3-10-30) | 2 | |
| 8 | NPS00355-UNIT | FLX HANDLEBAR CLAMP (SY-B-XJK-001) | 1 | |
| 9 | See Remarks | FLX QUICK PITCH HANDLE (SY-L-122-0033) | 1 | See Page 9 |
| 10 | NPS00214-UNIT | FLX TILT CABLE (SY-B-TJGSZJ-001) | 1 | |
| 11 | See Remarks | FLX HANDLE STEM (SY-B-ZT-001) | 1 | Use AS-2 |
| 12 | NPS07212-UNIT | FLX WASHER FLAT M10 (SY-GB/T95-10) | 1 | |
| 13 | NPS07248-UNIT | FLX NY-LOCK NUT M10 (SY-R-205-CL1235) | 1 | |
| 14 | NPS07249-UNIT | FLX ROLLER PIN (SY-R-20000154) | 1 | |
| 15 | NPS07250-UNIT | FLX TILT CABLE ROLLER (SY-R-CR-Z00241) | 1 | |
| 16 | NPS07251-UNIT | FLX TILT BUSHING (SY-BT-A0075) | 1 | |
| 17 | NPS07252-UNIT | FLX ADAPTOR - HANDLE TO GEARBOX (SY-L-FSLJB-001) | 1 | |
| 18 | NPS07253-UNIT | FLX NY-LOCK NUT M12 (SY-GB/T923-M12) | 1 | |
| 19 | NPS07254-UNIT | FLX BOLT M12X70 (SY-GB/T5780-12-70) | 1 | |
| 20 | NPS07255-UNIT | FLX WASHER FLAT M12 (SY-GB/T95-12) | 1 | |
| 21 | NPS07256-UNIT | FLX CABLE HOLDER (SY-L-XPK-001) | 1 | |
| 22 | NPS07257-UNIT | FLX TAPPING SCREW M5X15 (SY-R-P436-C162-05) | 1 | |
| 23 | See Remarks | FLX THROTTLE CABLE (SY-L-YMX-002) | 1 | Use AS-1 |

Handle (FT34-2 and FT40-2) Assembly / Service Kits

| Item No. | Product Code | Description | Qty | Remarks |
|----------|---------------|--|-----|-----------------|
| AS-1 | NPS90044-UNIT | FLX THROT LEVER & CABLE FT34-2 & FT40-2 (SY-CTP436-0006) | 1 | Inc Items: 4,23 |
| AS-2 | NPS07258-UNIT | FLX QP HANDLE ASSY FT SERIES 2 (SY-L-CZHJJ-001) | 1 | Inc Items: 1-23 |

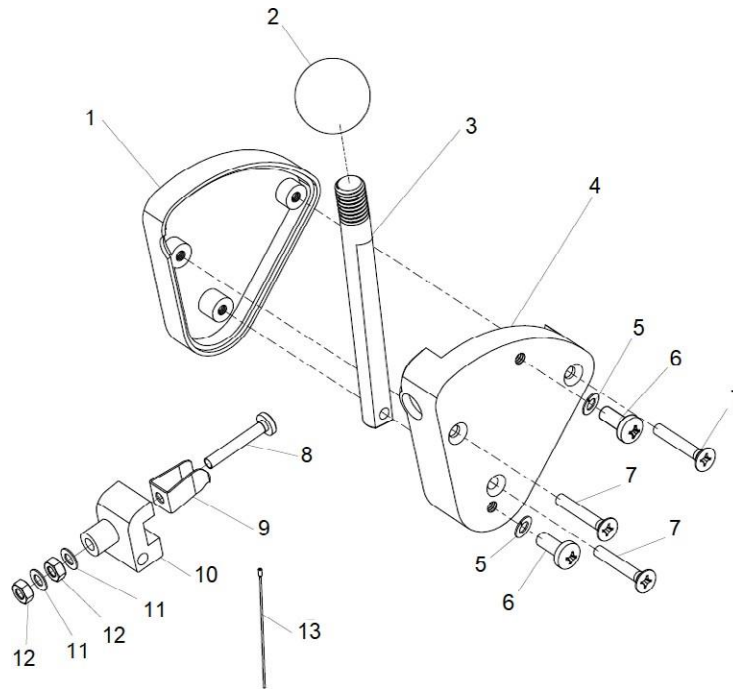


Quick Pitch Handle (FT34-2 and FT40-2)

| Item No. | Product Code | Description | Qty | Remarks |
|----------|---------------|---|-----|----------|
| 1 | NPS07259-UNIT | FLX BOLT CSK M5X20 (SY-GB/T818-5-20) | 4 | |
| 2 | NPS07260-UNIT | FLX BOLT M6X8 (SY-GB/T70.3-06-08) | 2 | |
| 3 | NPS07261-UNIT | FLX BOLT M6X16 (SY-GB/T7991-06-16) | 2 | |
| 4 | NPS07262-UNIT | FLX QUICK PITCH PULL ROD (SY-L-JG123-002) | 1 | |
| 5 | NPS07263-UNIT | FLX QUICK PITCH TOP ROD (SY-L-JG123-001) | 1 | |
| 6 | NPS07264-UNIT | FLX QUICK PITCH PULL ARM (SY-R-NLS-5000) | 1 | |
| 7 | See Remarks | FLX BOLT M4X16 (SY-R-20000416) | 1 | Use SK-1 |
| 8 | See Remarks | FLX WASHER SPRING M4 (SY-GB/T93-04) | 1 | Use SK-1 |
| 9 | See Remarks | FLX SPRING (SY-R-P436-C163) | 1 | Use SK-1 |
| 10 | See Remarks | FLX LOCKING PIN (SY-L-123-0039) | 1 | Use SK-1 |
| 11 | See Remarks | FLX ROLL PIN 3X12MM (SY-GBT879.1-03-012) | 1 | Use SK-1 |
| 12 | NPS07265-UNIT | FLX QUICK PITCH COVER LEFT (SY-R-LSFHZ-100) | 1 | |
| 13 | NPS07266-UNIT | FLX QUICK PITCH MAIN FRAME ASSY (SY-R-LSHJ-001) | 1 | |
| 14 | NPS07267-UNIT | FLX WASHER FLAT M6 (SY-GB/T95-06) | 2 | |
| 15 | NPS07268-UNIT | FLX WASHER SPRING M6 (SY-GB/T93-06) | 1 | |
| 16 | NPS07269-UNIT | FLX BOLT M6X20 (SY-B-226-CL021) | 1 | |
| 17 | NPS07271-UNIT | FLX BOLT M10X35 (SY-GB/T5780-10-35) | 1 | |
| 18 | NPS07212-UNIT | FLX WASHER FLAT M10 (SY-GB/T95-10) | 1 | |
| 19 | NPS07272-UNIT | FLX BOLT M5X16 (SY-R-20000318) | 1 | |
| 20 | NPS07273-UNIT | FLX TILT CABLE SEAT (SY-L-123-0043) | 1 | |
| 21 | NPS07248-UNIT | FLX NY-LOCK NUT M10 (SY-R-205-CL1235) | 1 | |
| 22 | NPS07275-UNIT | FLX RATCHET TEETH (SY-L-123-0044) | 1 | |
| 23 | NPS07276-UNIT | FLX BOLT M5X20 (SY-GB/T7991-05-020) | 2 | |
| 24 | NPS07277-UNIT | FLX QUICK PITCH COVER RIGHT (SY-L-123-0040) | 1 | |
| 25 | NPS07278-UNIT | FLX BOLT CSK M5X30 (SY-GB/T818-5-30) | 2 | |

Quick Pitch Handle (FT34-2 and FT40-2) Assembly / Service Kits

| Item No. | Product Code | Description | Qty | Remarks |
|----------|---------------|--|-----|-----------------|
| SK-1 | NPS00371-UNIT | FLX QUICK PITCH LOCK PIN KIT FT SERIES 2 (SY-FT-G43410100) | 1 | Inc Items: 7-11 |

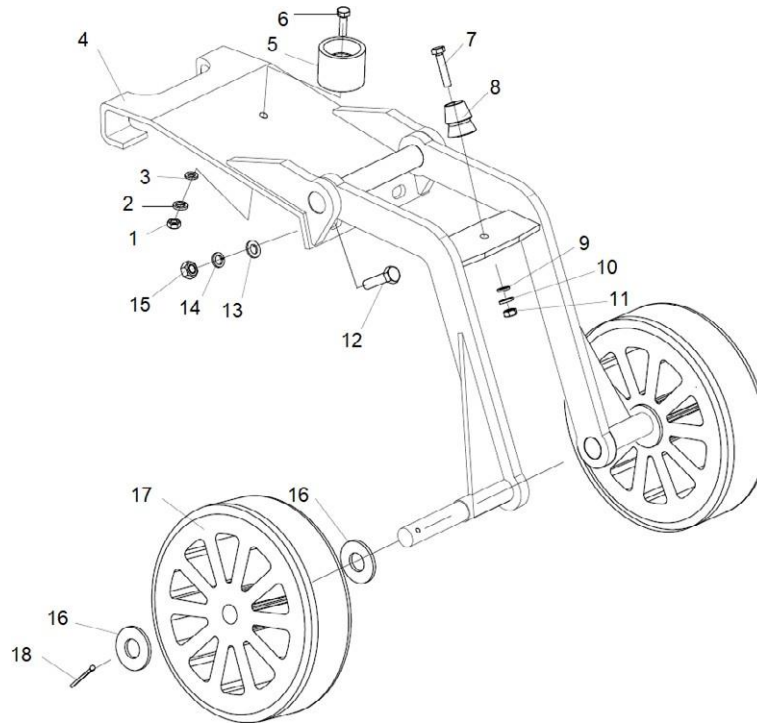


Safety Switch (FT34-2 and FT40-2)

| Item No. | Product Code | Description | Qty | Remarks |
|----------|--------------|---|-----|----------|
| 1 | See Remarks | FLX SAFETY SWITCH INNER COVER (SY-L-436-0001) | 1 | Use AS-1 |
| 2 | See Remarks | FLX SAFETY SWITCH KNOB (SY-R-436-0002) | 1 | Use AS-1 |
| 3 | See Remarks | FLX SAFETY SWITCH THROW ARM (SY-R-Z4X12) | 1 | Use AS-1 |
| 4 | See Remarks | FLX SAFETY SWITCH OUTER COVER (SY-R-436-0003) | 1 | Use AS-1 |
| 5 | See Remarks | FLX WASHER FLAT M5 (SY-GB/T95-05) | 2 | Use AS-1 |
| 6 | See Remarks | FLX SCREW M5X10 (SY-GB/T818-05-010) | 2 | Use AS-1 |
| 7 | See Remarks | FLX BOLT CSK M4X25 (SY-GB/T819-04-025) | 3 | Use AS-1 |
| 8 | See Remarks | FLX BOLT M4X20 (SY-GB/T818-04-20) | 1 | Use AS-1 |
| 9 | See Remarks | FLX EARTH CONTACT (SY-R-436-0005) | 1 | Use AS-1 |
| 10 | See Remarks | FLX EARTH CONTACT SEAT (SY-BT-A0012) | 1 | Use AS-1 |
| 11 | See Remarks | FLX FLAT WASHER M4 (SY-TPD-001) | 2 | Use AS-1 |
| 12 | See Remarks | FLX NUT M4 (SY-R-E436-CL0025) | 2 | Use AS-1 |
| 13 | See Remarks | FLX SAFETY SWITCH CABLE (SY-R-436-0006) | 1 | Use AS-1 |

Safety Switch (FT34-2 and FT40-2) Assembly / Service Kits

| Item No. | Product Code | Description | Qty | Remarks |
|----------|---------------|---|-----|-----------------|
| AS-1 | NPS07245-UNIT | FLX CENTRIFUGAL SAFETY SWITCH ASSY (SY-BT-AQKG01) | 1 | Inc Items: 1-13 |



Wheel Kit (FT34-2 only)

| Item No. | Product Code | Description | Qty | Remarks |
|----------|---------------|---|-----|----------|
| 1 | NPS07279-UNIT | FLX NY-LOCK NUT M6 (SY-GB/T6170-06) | 2 | |
| 2 | NPS07268-UNIT | FLX WASHER SPRING M6 (SY-GB/T93-06) | 2 | |
| 3 | NPS07267-UNIT | FLX WASHER FLAT M6 (SY-GB/T95-06) | 2 | |
| 4 | See Remarks | FLX WHEEL KIT MAIN CHASSISS (SY-L-TLJ-001) | 1 | Use AS-1 |
| 5 | NPS07280-UNIT | FLX RUBBER PLUG FEMALE (SY-20001160) | 1 | |
| 6 | NPS07281-UNIT | FLX BOLT M6X12 (SY-GB/T5780-06-012) | 1 | |
| 7 | NPS07269-UNIT | FLX BOLT M6X20 (SY-B-226-CL021) | 8 | |
| 8 | NPS07282-UNIT | FLX RUBBER PLUG MALE (SY-R-XJK-001) | 1 | |
| 9 | NPS07267-UNIT | FLX WASHER FLAT M6 (SY-GB/T95-06) | 2 | |
| 10 | NPS07268-UNIT | FLX WASHER SPRING M6 (SY-GB/T93-06) | 2 | |
| 11 | NPS07279-UNIT | FLX NY-LOCK NUT M6 (SY-GB/T6170-06) | 2 | |
| 12 | NPS00408-UNIT | FLX BOLT M8X25 (SY-GB/T5780-08-25) | 2 | |
| 13 | NPS07228-UNIT | FLX WASHER FLAT M8 (SY-GB/T95-08) | 2 | |
| 14 | NPS00404-UNIT | FLX WASHER SPRING M8 (SY-GB/T93-08) | 2 | |
| 15 | NPS00406-UNIT | FLX NY-LOCK NUT M8 (SY-GB/T93-08) | 2 | |
| 16 | NPS07283-UNIT | FLX RETAINING WASHER 17X38X3MM (SY-GBT96.1-17-3803) | 4 | |
| 17 | NPS07284-UNIT | FLX WHEEL (200x45) (SY-R-GL-07) | 2 | |
| 18 | NPS07285-UNIT | FLX SPLIT PIN 2.5X25MM (SY-GB/T91-2.5-035) | 2 | |

Wheel Kit (FT34-2 only)

| Item No. | Product Code | Description | Qty | Remarks |
|----------|---------------|---|-----|-----------------|
| AS-1 | FT201809-UNIT | FLX POWER TROWEL WHEEL KIT (SY-CTP434-WK) | 1 | Inc Items: 1-18 |



Parchem Construction Supplies Pty Ltd

1956 Dandenong Road, Clayton VIC 3168, Australia

Phone: 1300 353 986

flextool.com.au

ABN 80 069 961 968

This manual summarises our best knowledge of the product based on the information available at the time of publication. You should read this manual carefully and consider the information in the context of how the product will be used. Our responsibility for products sold is subject to our standard terms and conditions of sale.

DISCLAIMER:

Any advice, recommendation, information, assistance or service provided by us in this manual is given in good faith and is believed by us to be appropriate and reliable. However, any advice, recommendation, information, assistance or service provided by us is provided without liability or responsibility PROVIDED THAT the foregoing shall not exclude, limit, restrict or modify the right entitlements and remedies conferred upon any person or the liabilities imposed upon us by any condition or warranty implied by Commonwealth, State or Territory Act or ordinance void or prohibiting such exclusion limitation or modification. The product can be expected to perform as indicated in this manual so long as operation and operational procedures of the individual products are followed as recommended in this manual.

Design and technical specifications may be subject to changes.

© This publication is copyright. All rights are reserved. Flextool is a registered trade mark of Parchem Construction Supplies Pty Ltd.

FOR MORE INFORMATION

CONTACT US ON 1300 353 986 OR VISIT flextool.com.au