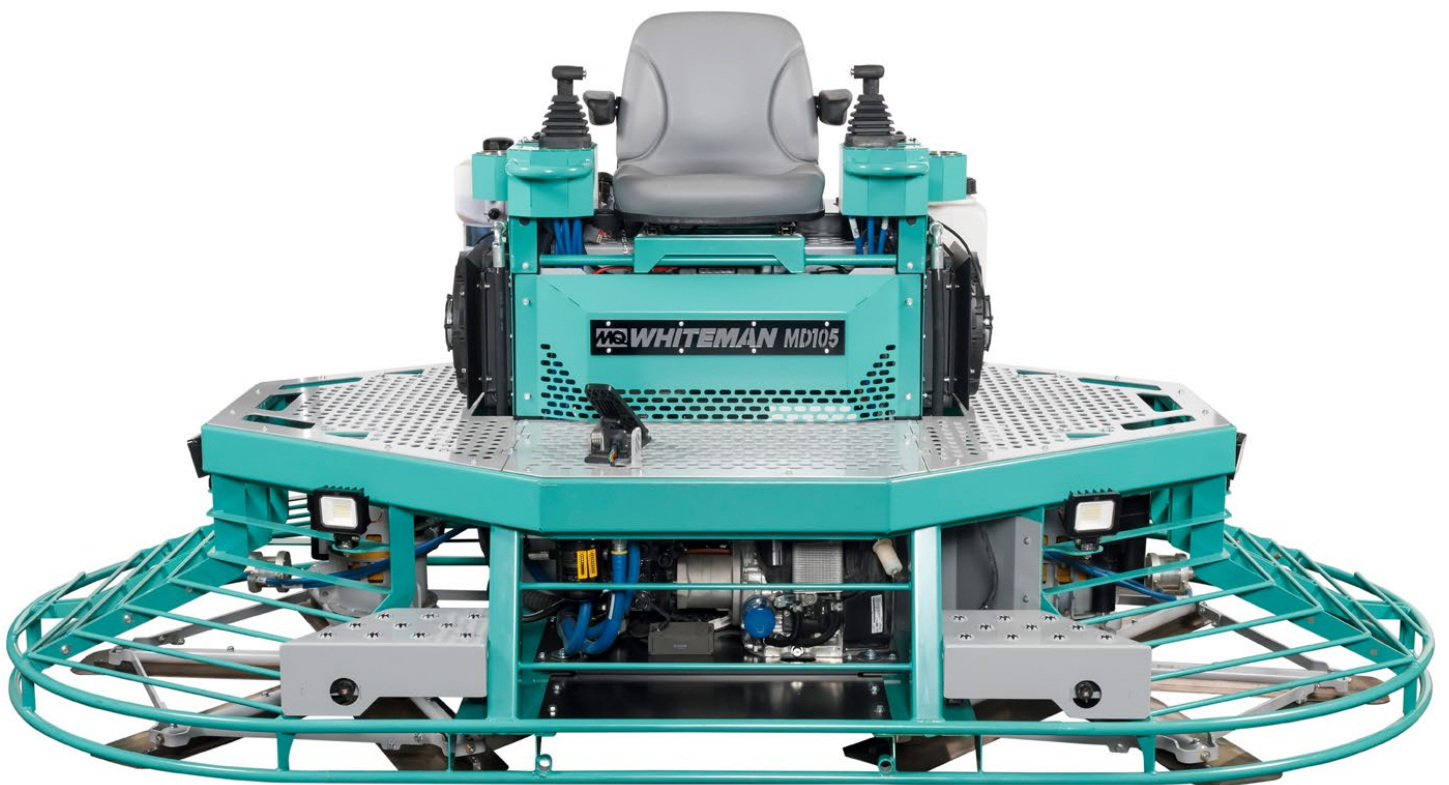


SPARE PARTS MANUAL

MQ WHITEMAN RIDE-ON POWER TROWEL MD105



U.S. Revision #2 (03/13/26)
AUS Version 4.0 (March 2026)

PARTS MANUAL



MODEL MD105 HYDRAULIC RIDE-ON TROWEL (DUAL HONDA IGX800 GASOLINE ENGINES)

Revision #2 (03/13/26)

To find the latest revision of this publication or associated operation manual, visit our website at: www.multiquip.com



THIS MANUAL MUST ACCOMPANY THE EQUIPMENT AT ALL TIMES.

PN: 45836

MD105

Ride-On Trowel

Explanation of Code in Remarks Column.....	4
Suggested Spare Parts	5

Component Drawings

Nameplate and Decals Assembly.....	6–7
Main Frame and Platform Assembly.....	8–9
Front Panel Assembly.....	10–11
Step and Spray Assembly	12–13
Right Side Lift Assembly.....	14–15
Left Side Lift Assembly	16–17
Right-Hand Control Box Assembly	18–19
Left-Hand Control Box Assembly.....	20–21
Heat Exchanger Assembly	22–23
Seat Assembly	24–25
Electrical Panel Assembly	26–27
Right Side Rotor Assembly.....	28–29
Left Side Rotor Assembly	30–31
Rotor Assembly	32–33
Cylinder Assembly	34–35
Right-Side Stabilizer Strut Assembly	36–37
Left-Side Stabilizer Strut Assembly	38–39
Right-Side Spider Assembly	40–41
Left-Side Spider Assembly	42–43
Hydraulic Filter and Manifold Assembly.....	44–45
Muffler Assembly	46–47
Front/Right Engine Assembly	48–51
Rear/Left Engine Assembly	52–55
Belly Pan Assembly	56–57
Fuel Tank Assembly.....	58–59
Hydraulic Hose Kit Assembly.....	60–61
Hyd. Hose Assy. (Steering/Cylinders).....	62–63
Hyd. Hose Assy. (Steering/Manifold/Pumps)...	64–65
Hyd. Hose Assy. (Pumps/Fans/Motors).....	66–67
Hyd. Hose Assy. (Manifold/Pumps/Fans)	68–69
Harness Assembly.....	70–71
Engine Service Parts	72–73

NOTICE

Specifications and part numbers are subject to change without notice.

EXPLANATION OF CODE IN REMARKS COLUMN

The following section explains the different symbols and remarks used in the Parts section of this manual. Use the help numbers found on the back page of the manual if there are any questions.

NOTICE

The contents and part numbers listed in the parts section are subject to change without notice. Multiquip does not guarantee the availability of the parts listed.

SAMPLE PARTS LIST

NO.	PART NO.	PART NAME	QTY.	REMARKS
1	12345	BOLT	1	INCLUDES ITEMS W/%
2%		WASHER, 1/4 IN.		NOT SOLD SEPARATELY
2%	12347	WASHER, 3/8 IN. ...	1	MQ-45T ONLY
3	12348	HOSE	A/R	MAKE LOCALLY
4	12349	BEARING	1	S/N 2345B AND ABOVE

NO. Column

Unique Symbols — All items with same unique symbol (@, #, +, %, or >) in the number column belong to the same assembly or kit, which is indicated by a note in the “Remarks” column.

Duplicate Item Numbers — Duplicate numbers indicate multiple part numbers, which are in effect for the same general item, such as different size saw blade guards in use or a part that has been updated on newer versions of the same machine.

NOTICE

When ordering a part that has more than one item number listed, check the remarks column for help in determining the proper part to order.

PART NO. Column

Numbers Used — Part numbers can be indicated by a number, a blank entry, or TBD.

TBD (To Be Determined) is generally used to show a part that has not been assigned a formal part number at the time of publication.

A blank entry generally indicates that the item is not sold separately or is not sold by Multiquip. Other entries will be clarified in the “Remarks” Column.

QTY. Column

Numbers Used — Item quantity can be indicated by a number, a blank entry, or A/R.

A/R (As Required) is generally used for hoses or other parts that are sold in bulk and cut to length.

A blank entry generally indicates that the item is not sold separately. Other entries will be clarified in the “Remarks” Column.

REMARKS Column

Some of the most common notes found in the “Remarks” Column are listed below. Other additional notes needed to describe the item can also be shown.

Assembly/Kit — All items on the parts list with the same unique symbol will be included when this item is purchased.

Indicated by:

“INCLUDES ITEMS W/(unique symbol)”

Serial Number Break — Used to list an effective serial number range where a particular part is used.

Indicated by:

“S/N XXXXX AND BELOW”

“S/N XXXX AND ABOVE”

“S/N XXXX TO S/N XXX”

Specific Model Number Use — Indicates that the part is used only with the specific model number or model number variant listed. It can also be used to show a part is NOT used on a specific model or model number variant.

Indicated by:

“XXXXX ONLY”

“NOT USED ON XXXX”

“Make/Obtain Locally” — Indicates that the part can be purchased at any hardware shop or made out of available items. Examples include battery cables, shims, and certain washers and nuts.

“Not Sold Separately” — Indicates that an item cannot be purchased as a separate item and is either part of an assembly/kit that can be purchased, or is not available for sale through Multiquip.

SUGGESTED SPARE PARTS

MD105 HYDRAULIC RIDE-ON TROWEL

1 to 3 units

Qty.	P/N	Description
2	23959	SWITCH, IGNITION
2	23959-1	KEY, IGNITION SW.
2	12315	THRUST COLLAR WITH BUSHING
4	11991	ARM, TROWEL, 6 BLADE
4	11039	BUSHING, TROWEL ARM
2	46250W	FUSE, 2A
2	46254W	FUSE, 7.5A
2	46255W	FUSE, 10A
2	46256W	FUSE, 15A
2	46259W	FUSE, 30A
3	3031AHCR1U01	RELAY, 4-PIN MICRO
3	3011CCR1U01	RELYA, 5-PIN MICRO
2	45644	FILTER, HYD.10 MICRON
1	42446	CAP, FUEL TANK
2	30547	PUMP ASSEMBLY

HONDA IGX800 GASOLINE ENGINE

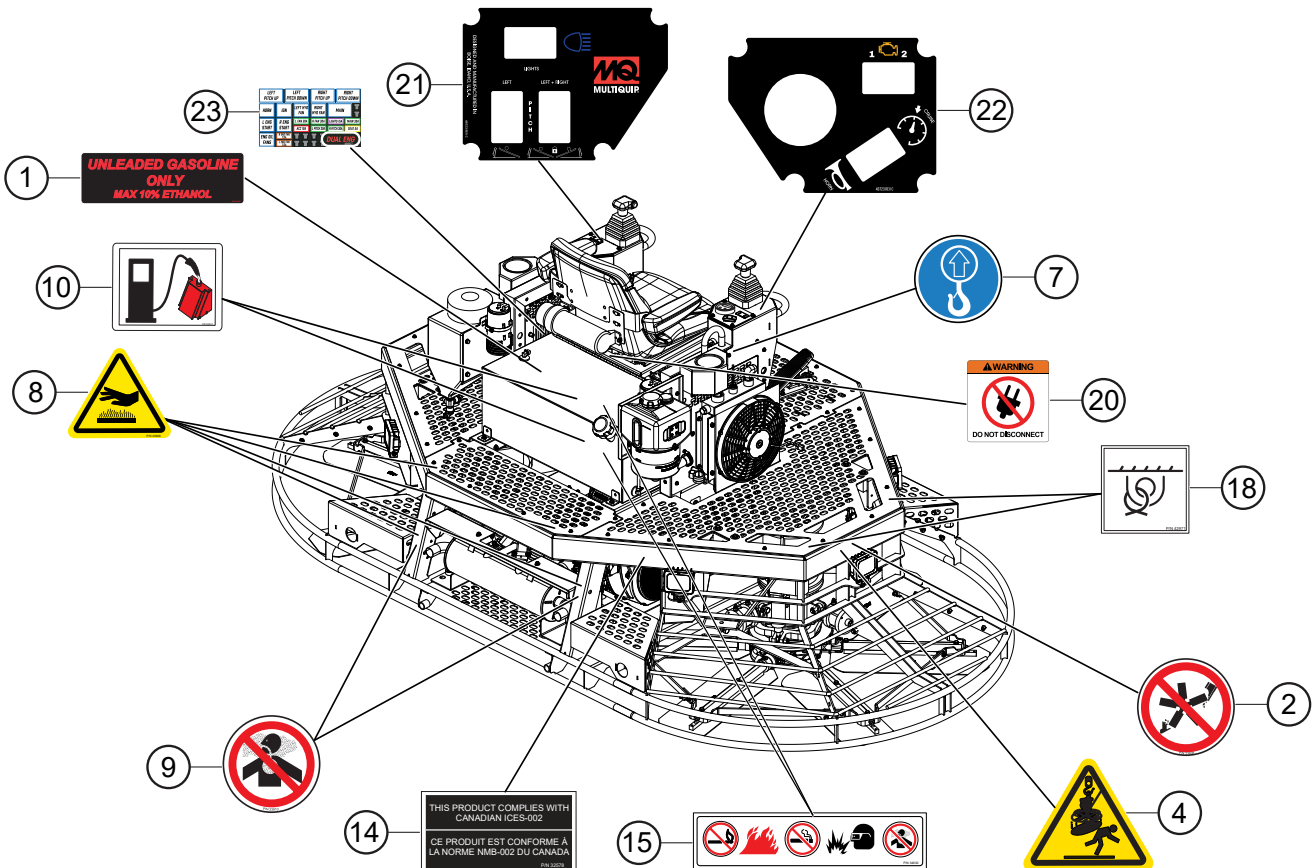
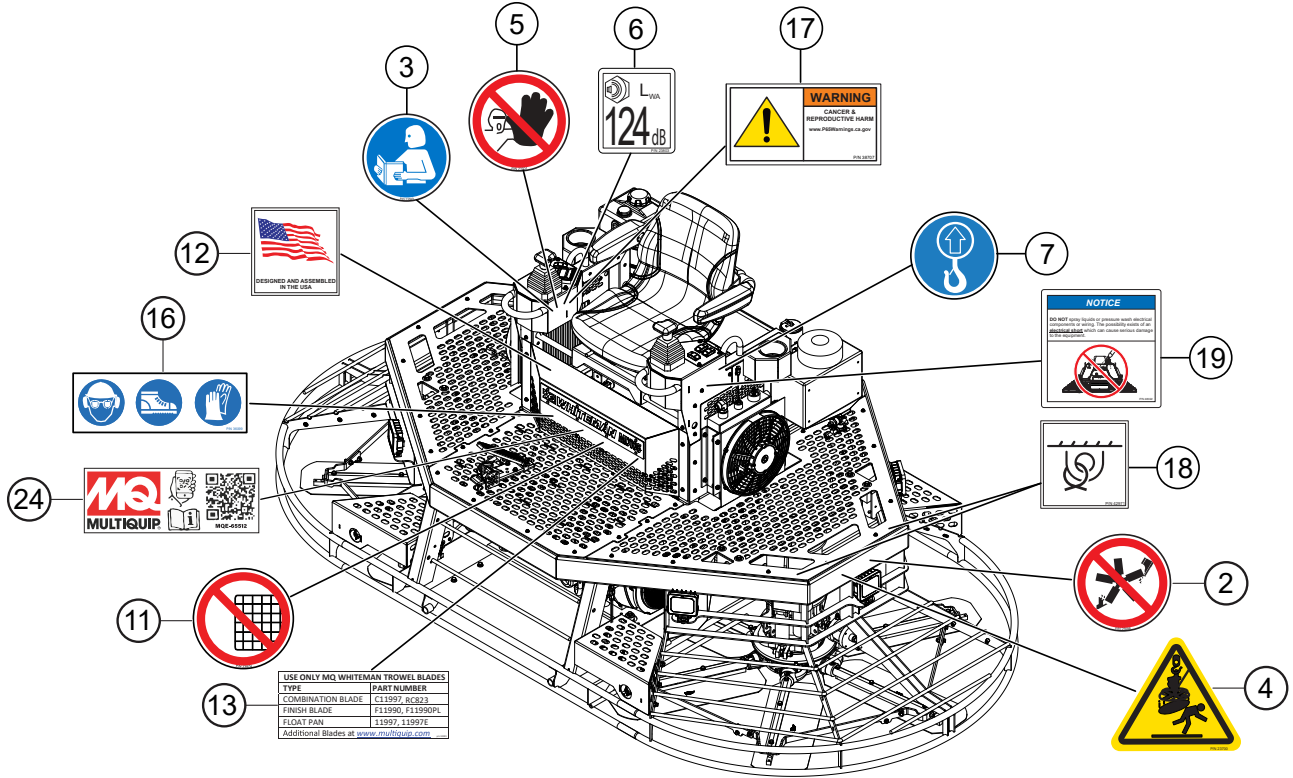
1 to 3 units

Qty.	P/N	Description
4	9807955846	SPARK PLUG
2	15400RTA003	FILTER, OIL
2	17210Z6L010	ELEMENT, AIR CLEANER
2	17218Z6L0000	FILTER, (OUTER) AIR
2	16910ZDW003	FILTER, FUEL

NOTICE

Part numbers on this Suggested Spare Parts list may supersede/replace the part numbers shown in the following parts lists.

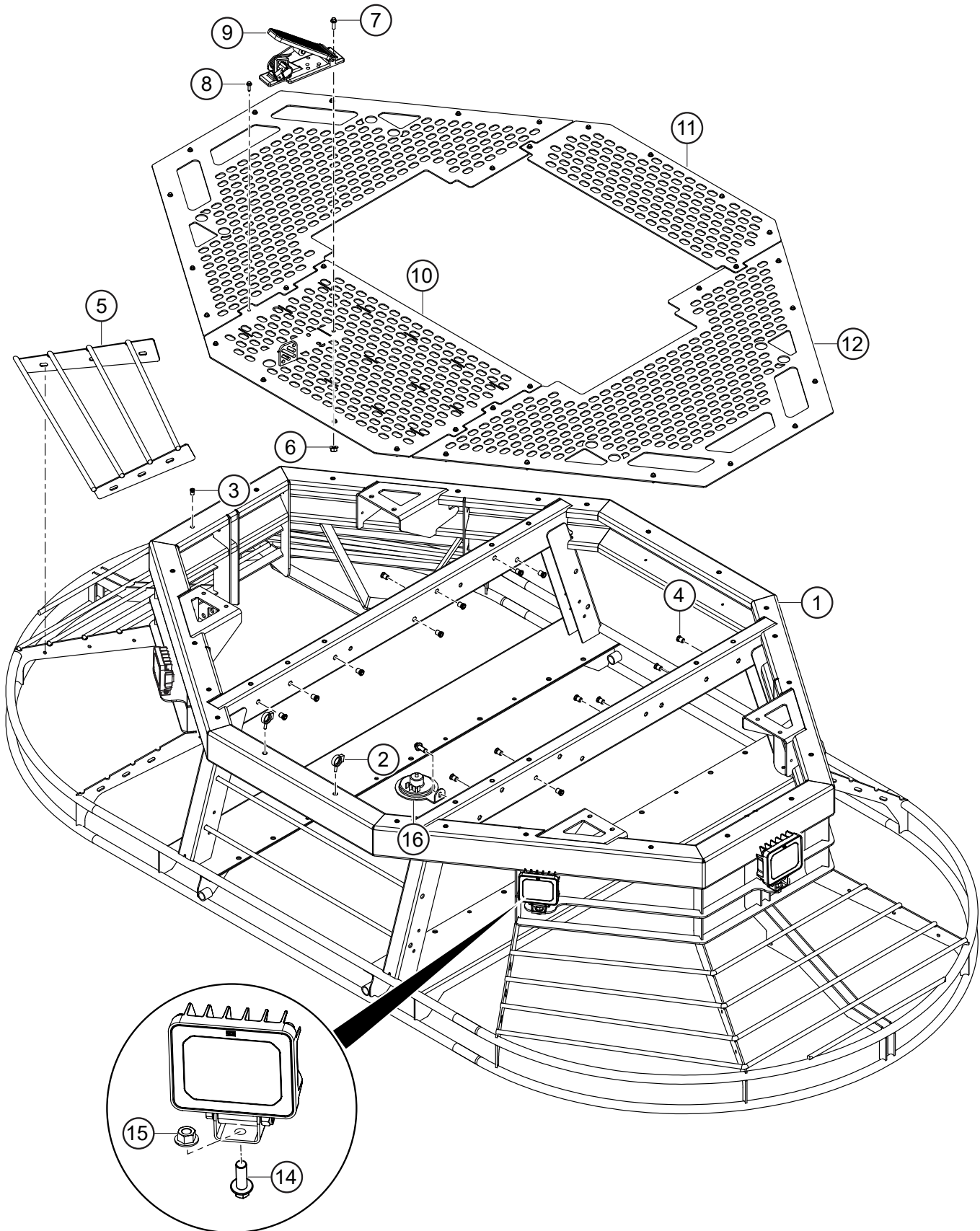
NAMEPLATE AND DECALS ASSY.



NAMEPLATE AND DECALS ASSY.

<u>NO.</u>	<u>PART NO.</u>	<u>PART NAME</u>	<u>QTY.</u>	<u>REMARKS</u>
1	23587	DECAL, UNLEADED GASOLINE	1	
2	23698	DECAL, ISO, ROATING BLADE HAZARD	2	
3	23699	DECAL, ISO, READ MANUAL	1	
4	23700	DECAL, ISO, LIFTING/CRUSH	2	
5	23701	DECAL, ISO, ASK FOR TRAINING	1	
6	23803-124	DECAL, GUARANTEED SOUND POWER LEVEL	1	
7	23805	DECAL, ISO, LIFTING POINT	2	
8	23808	DECAL, ISO, HOT SURFACE HAZARD	4	
9	23810	DECAL, ISO, INHALATION HAZARD	2	
10	23812	DECAL, ISO, FUEL GASOLINE	2	
11	23874	DECAL, ISO, DO NOT REMOVE GUARDS, HAZARD	1	
12	30538	DECAL, FLAG DESIGNED ASSEMBLED IN USA	1	
13	32223	DECAL, TROWEL BLADES	1	
14	32578	DECAL, CANADIAN COMPLIANCE	1	
15	34630	DECAL, ISO, FIRE, EXPLOSION, SMOKING HAZARD	2	
16	36099	DECAL, ISO, PROTECTIVE CLOTHING	1	
17	38707	DECAL, CANCER AND REPRODUCTIVE HARM	1	
18	42971	DECAL, ISO, TIE-DOWN	4	
19	48022	DECAL, PRESSURE WASH	1	
20	48056	DECAL, SAFETY SWITCH, DO NOT DISCONNECT	1	
21	48723	DECAL, LH CONTROL PANEL	1	
22	48724	DECAL, RH CONTROL PANEL	1	
23	48907	DECAL, FUSE MAP	1	
24	50013	DECAL, QR LABEL W/ HR BARCODE LOGO	1	

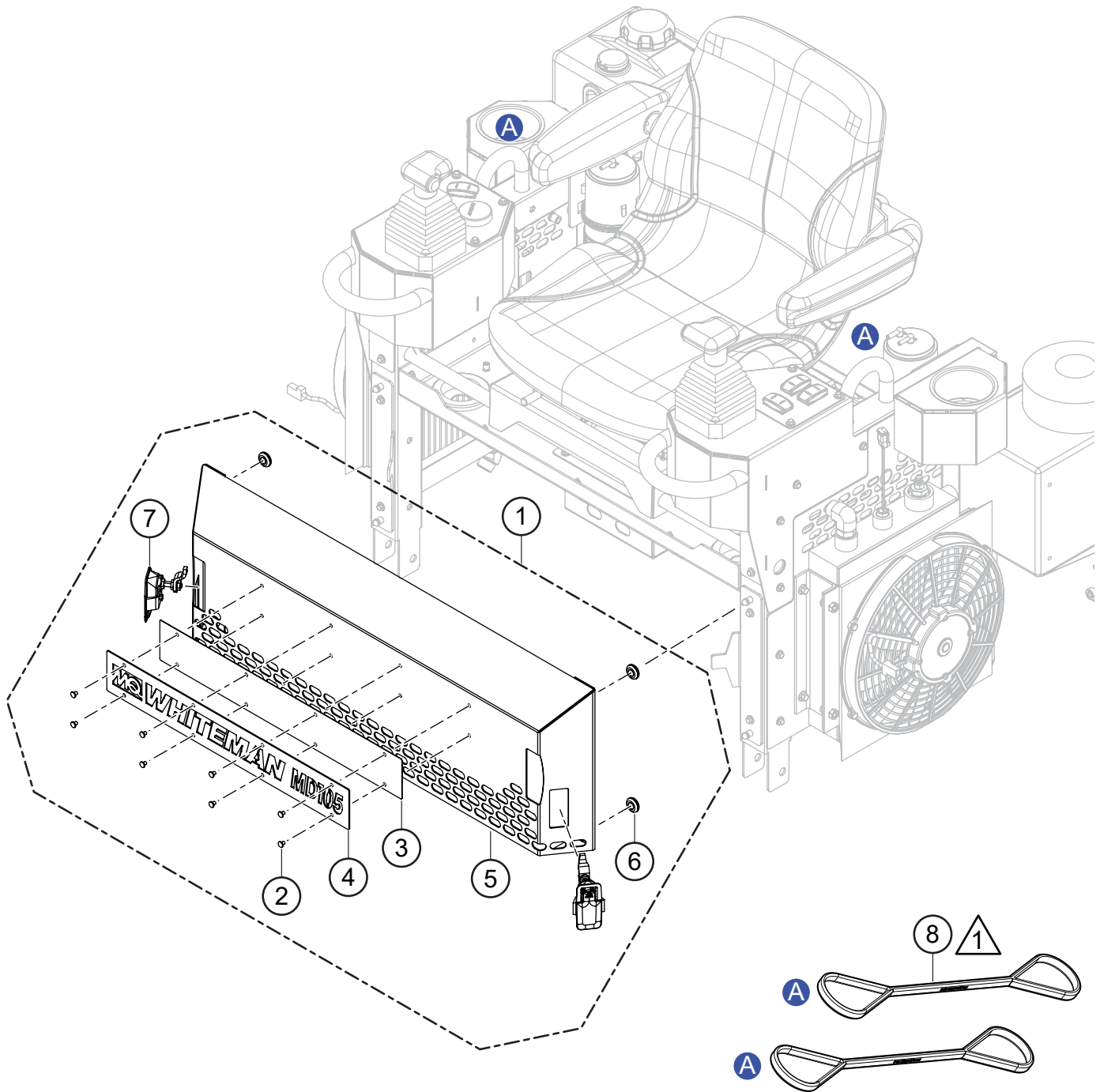
MAIN FRAME AND PLATFORM ASSY.



MAIN FRAME AND PLATFORM ASSY.

<u>NO.</u>	<u>PART NO.</u>	<u>PART NAME</u>	<u>QTY.</u>	<u>REMARKS</u>
1	48410	MAIN FRAME ASSY.	1.....	INCLUDES ITEMS W/#
2#	23843	CLIP, 1" WIRE LOOM	2	
3#	42496	NUT, BLIND, HEX. M6-1.0 X 0.7-4.2	34	
4#	48462	NUT, BLIND, HEX, M8-1.25 X 0.7-3.8MM	16	
5	48429	REMOVABLE GUARD RING ASSY.	1	
6	23802	NUT, HEX. FLANGED, M8-1.25 SERRATED	3	
7	42436	SCREW, HFS M8-1.25 X 30 GR 8.8	3	
8	42325	SCREW, HHC M6-1.0 X 20, CAP. WASHER	34	
9	43144	PEDAL, FOOT	1	
10	48608	FOOT PLATFORM	1	
11	48612	PANEL, REAR	1	
12	48613	DECK PLATE-SIDE	2	
13	45573	WORK LIGHT, 4IN. SQ. LED 100°	6	
14	45632	SCREW, HFS M10-1.5 X 20 CLASS 8.8	6	
15	42353	NUT, HEX. SERRATED FLANGE M10-1.5	6	
16	45271	HORN	1	

FRONT PANEL ASSY.



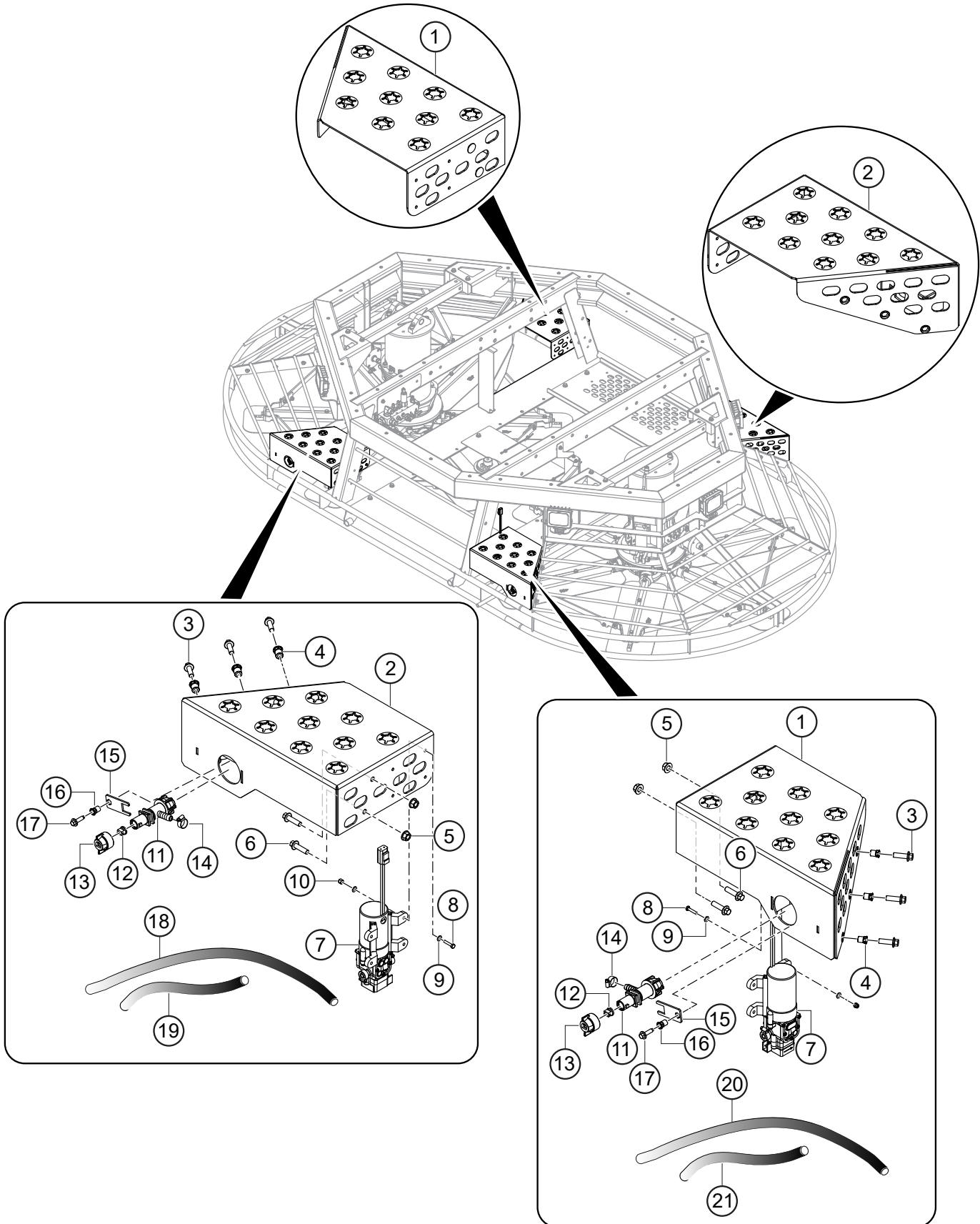
NOTES:

⚠ ATTACH LIFTING STRAP.

FRONT PANEL ASSY.

<u>NO.</u>	<u>PART NO.</u>	<u>PART NAME</u>	<u>QTY.</u>	<u>REMARKS</u>
1	48991	FRONT PANEL ASSY., LATCHING	1.....	INCLUDES ITEMS W/#
2#	19847	RIVET, POP, ALUM, 3/16X1/8-1/4 GRIP	8	
3#	45641	BACKING, EMBLEM	1	
4#	48597	EMBLEM, MD105	1	
5#	48984	FRONT PANEL, LATCHING	1	
6#	48986	GROMMET, RUBBER, .438 ID X .688 OD	4	
7#	48987	COMPRESSION LATCH, LIFT TURN MED.	2	
8	52078	STRAP, LIFTING 3 FT.-6 IN. 6200LBS CAP.	2	

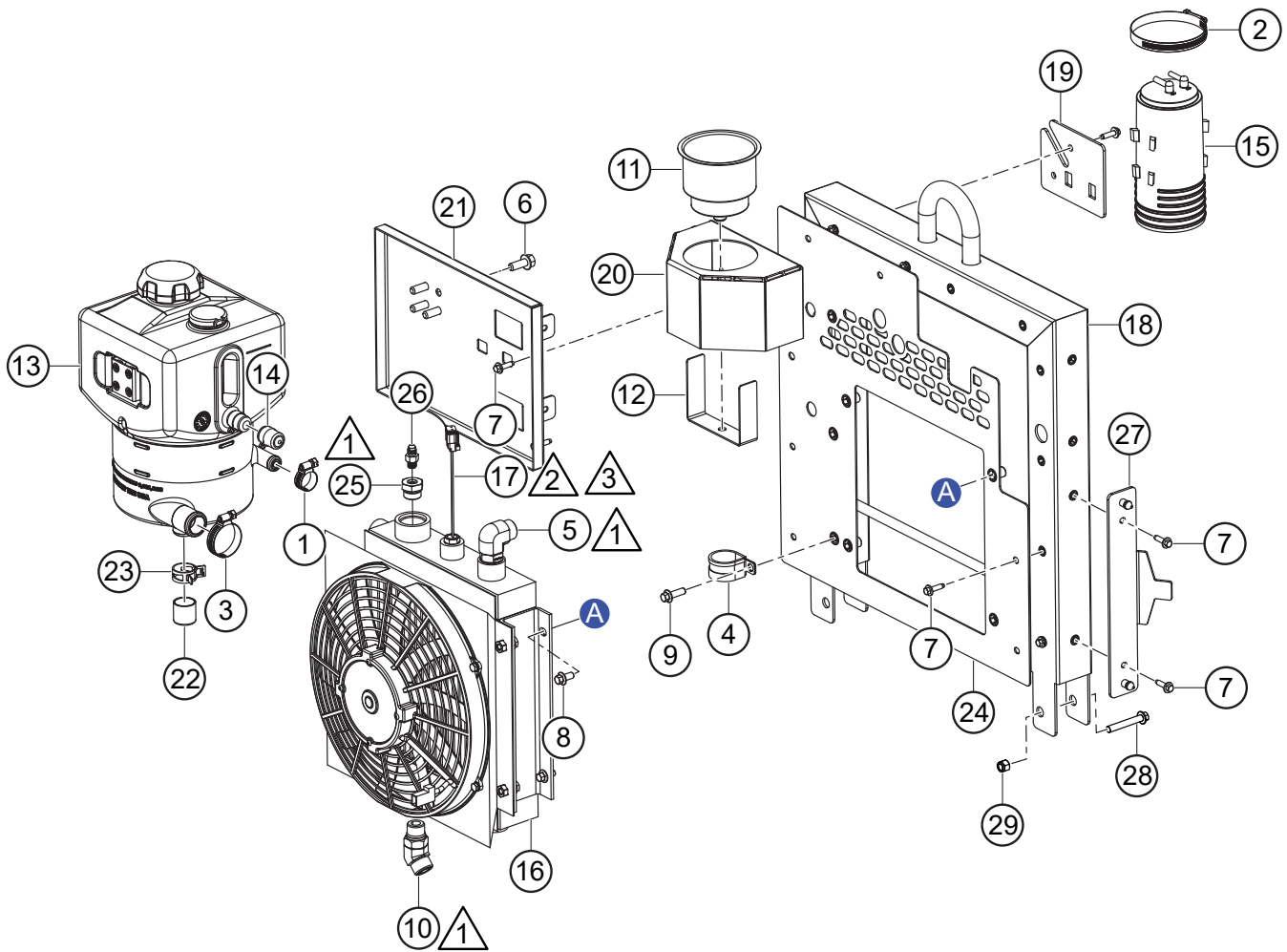
STEP AND SPRAY ASSY.



STEP AND SPRAY ASSY.

<u>NO.</u>	<u>PART NO.</u>	<u>PART NAME</u>	<u>QTY.</u>	<u>REMARKS</u>
1	48606	STEP ASSEMBLY-LF/RR	2	
2	48603	STEP ASSEMBLY-RF/LR	2	
3	42436	SCREW, HFS M8-1.25 X 30 GR 8.8	6	
4	48462	BLIND NUT, HEX. M8-1.25 X 0.7-3.8MM	6	
5	23802	NUT, HEX FLANGED M8-1.25 SERRATED	4	
6	23792	SCREW, HFS M8-1.25 X 30	4	
7	30547	PUMP ASSEMBLY	2	
8	42894	SCREW, HHC M4-0.7 X 20MM	8	
9	28922-058	WASHER M5	16	
10	15518-004	NUT, NYLOC, M4-.7	8	
11	45472	NOZZLE, TEEJET BODY, SINGLE	2	
12	49247	SPRAY, FLAT TIP BROWN	2	
13	45474	SPRAY TIP, CAP W/GASKET	2	
14	15538	CLAMP, HOSE WORM # 6	6	
15	45605	MOUNT, NOZZLE TAB	2	
16	42496	NUT, BLIND, HEX, M6-1.0 X 0.7-4.2 GRIP	2	
17	42325	SCREW, HHC, M6-1.0 X 20, CAP. WASHER	2	
18	60021	BRAIDED PVC HOSE, 3/8 X 5/8 (32 IN.)	1	
19	60021	BRAIDED PVC HOSE, 3/8 X 5/8 (12 IN.)	1	
20	60021	BRAIDED PVC HOSE, 3/8 X 5/8 (32 IN.)	1	
21	60021	BRAIDED PVC HOSE, 3/8 X 5/8 (15 IN.)	1	

RIGHT SIDE LIFT ASSY.



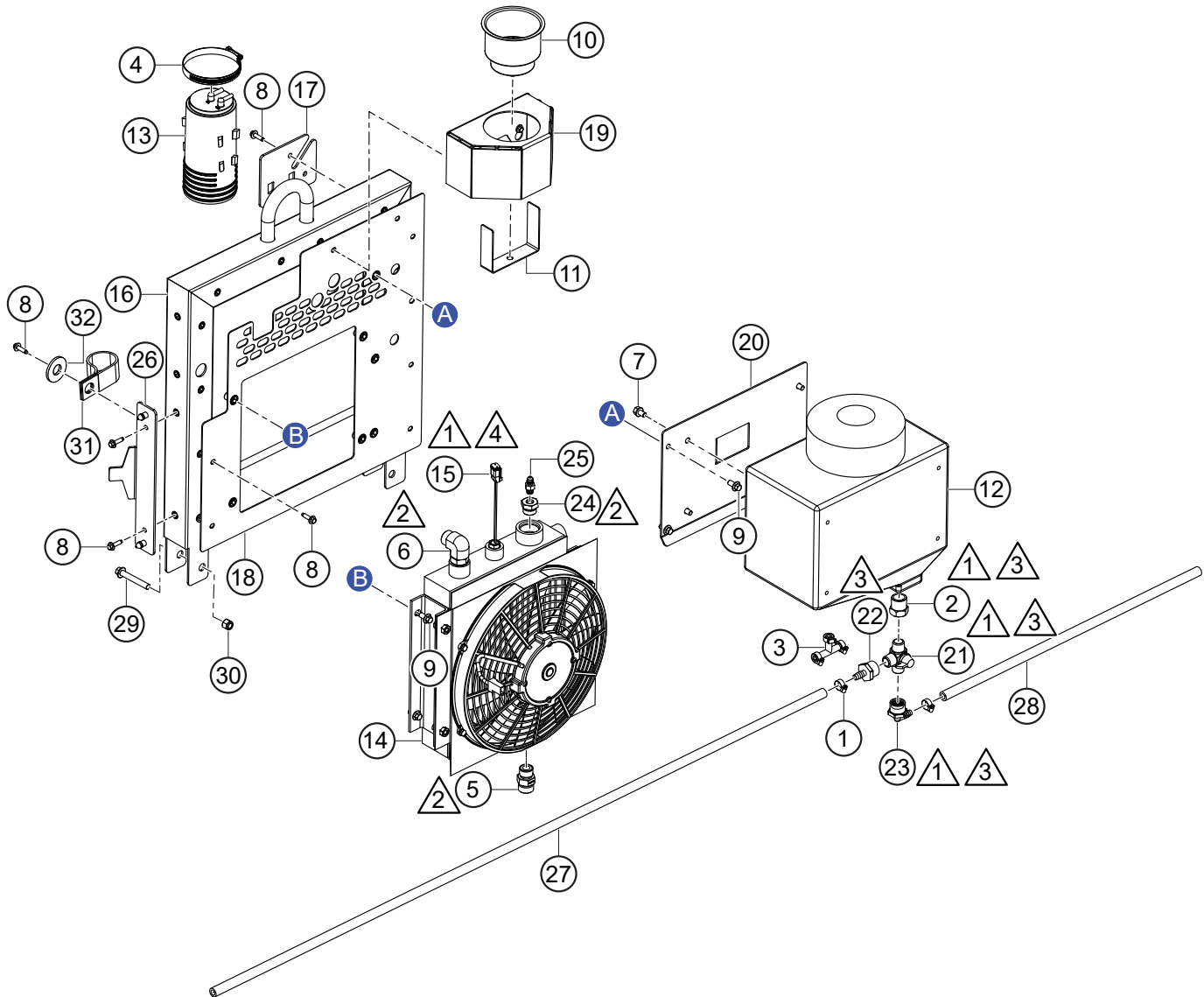
NOTES:

- 1 TORQUE TO 45-50 FT-LB (61-67 N•m) ON ITEMS 5 AND 25.
- 2 TIGHTEN 2-3 TURNS PAST FINGER TIGHT ON ITEM 17.
- 3 APPLY LOCTITE 572 ON ITEM 17.

RIGHT SIDE LIFT ASSY.

<u>NO.</u>	<u>PART NO.</u>	<u>PART NAME</u>	<u>QTY.</u>	<u>REMARKS</u>
1	3333	CLAMP, HOSE WORM # 12	1	
2	23794	CLAMP, HOSE WORM #64 3-9/2" TO 4-1/2"	1	
3	26405	CLAMP, HOSE WORM # 20	1	
4	29796	CLAMP, 1-3/4 DIA X 1	1	
5	32358	FITTING, 90° -10MORFS X -10MOR	1	TORQUE 45-50 FT-LB
6	32379	SCREW, HHFS 3/8-16 X 1.25 ZINC	4	
7	42325	SCREW, HHC, M6-1.0 X 20, CAP. WASHER	14	
8	42343	SCREW, HFS, M8-1.25 X 20 GR 8.8	4	
9	42436	SCREW, HFS M8-1.25 x 25 GR 8.8	1	
10	42939	FITTING, 45 10MORFS X 10MOR	1	TORQUE 45-50 FT-LB
11	43643	CUP HOLDER, STAINLESS STEEL	1	
12	43734	RETAINER, CUP HOLDER	1	
13	43767	RESERVOIR, CYCLONE 13 GAL.	1	
14	45645	CAP, 8GPM CYCLONE, DRAIN	1	
15	45721	CANISTER, CARBON, 800CC	1	
16	48163	HEAT EXCHANGER ASSEMBLY-007	1	
17	48395	SWITCH, TEMP. 120°F RISING, 3/8 MP	1	APPLY LOCTITE 572
18	48436	LIFT FRAME ASSEMBLY	1	
19	48558	BRACKET, CARBON CANISTER	1	
20	48578	CUP HOLDER	1	
21	48649	HYDRAULIC RESERVOIR MOUNT	1	
22	48653	BARB CAP, 1" PLASTIC	1	
23	48654	CONSTANT SPRING CLAMP, 1.0625	1	
24	48576	SIDE PANEL ASSEMBLY	1	
25	48704	FITTING, ADAPTOR -10MORB X -4FORB	1	TORQUE 45-50 FT-LB
26	48709	FITTING, ORIFICE 4MJ-4MO X .031	1	
27	48992	LATCH BRACKET W/A	1	
28	9176	SCREW, HHF M12-1.75 x 80 GR 10.9	2	
29	021112140	NUT, HEX, NYLOC, M12-1.75	2	

LEFT SIDE LIFT ASSY.



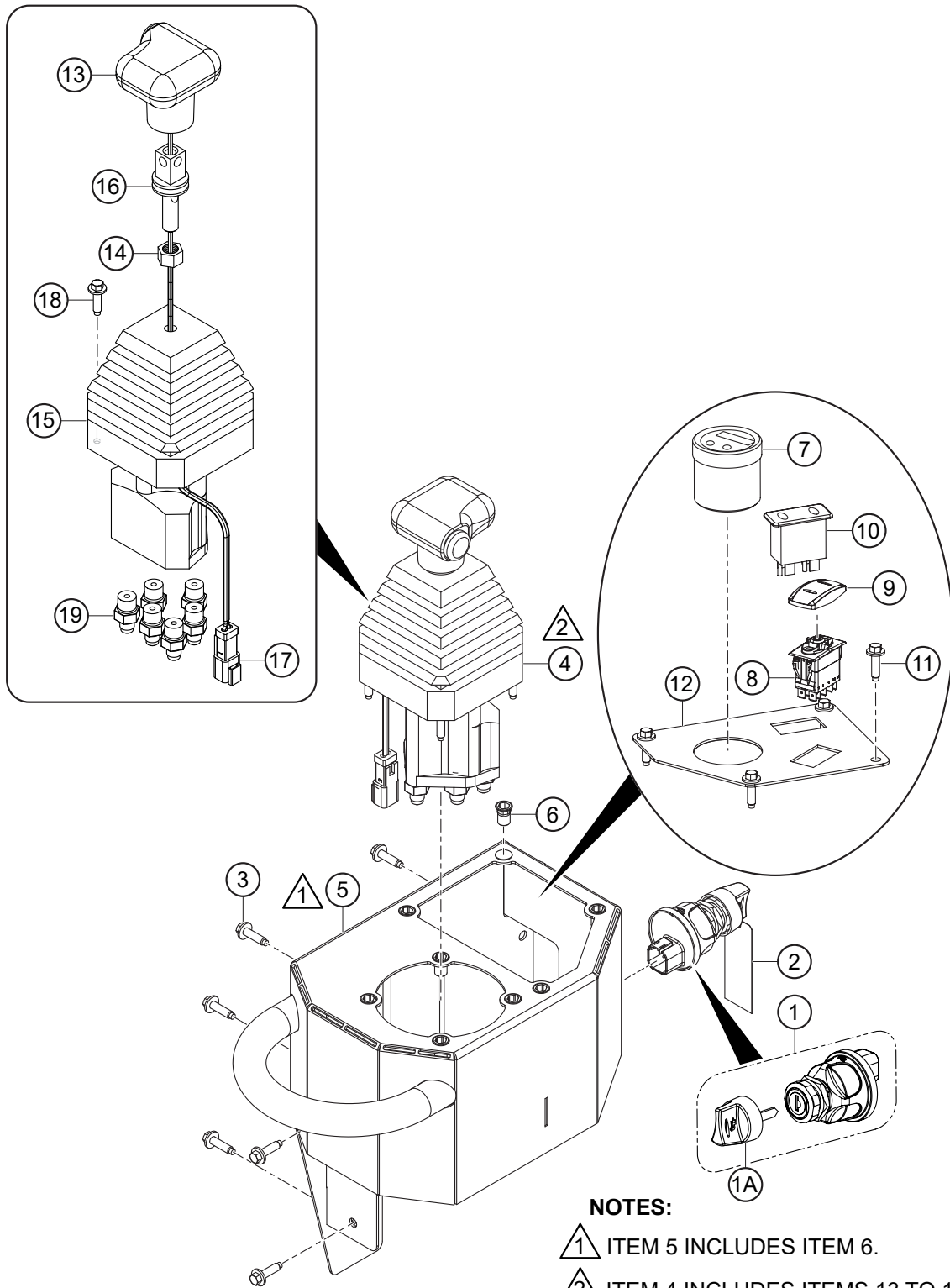
NOTES:

- 1 APPLY LOCTITE 572 ON ITEMS 2, 15, 21, 22, 23.
- 2 TORQUE 45-50 FT-LB (61-67 N•m) ON ITEMS 5, 6, 24.
- 3 TIGHTEN 1-2 TURNS PAST FINGER TIGHT ON ITEMS 2, 21, 22, 23.
- 4 TIGHTEN 2-3 TURNS PAST FINGER TIGHT ON ITEM 15.

LEFT SIDE LIFT ASSY.

<u>NO.</u>	<u>PART NO.</u>	<u>PART NAME</u>	<u>QTY.</u>	<u>REMARKS</u>
1	15538	CLAMP, HOSE WORM # 6	5	
2	16585	FITTING, BUSH 1/2FP X 3/4MP STEEL	1.....	APPLY LOCTITE 572
3	23307	TEE, .375 PLASTIC BARB	1-	
4	23794	CLAMP, HOSE WORM #64 3-9/2" TO 4-1/2"	1	
5	32342	FITTING, STR -10MORFS X -10MOR	1	
6	32358	FITTING, 90 -10MORFS X -10MOR	1	
7	34002	SCREW, HHFS 5/16-18 X 1/2 GR 5	4	
8	42325	SCREW, HHC, M6-1.0 X 20, CAP. WASHER	13	
9	42343	SCREW, HFS, M8-1.25 X 20 GR 8.8	6	
10	43643	CUP HOLDER, STAINLESS STEEL	1	
11	43734	RETAINER, CUP HOLDER	1	
12	45200	TANK, 3 GAL. LG MOUTH RETARDANT.	1	
13	45721	CANISTER, CARBON, 800CC	1	
14	48163	HEAT EXCHANGER ASSY.	1	
15	48395	SWITCH, TEMP 120°F RISING, 3/8 MP	1	
16	48436	LIFT FRAME ASSEMBLY	1	
17	48558	BRACKET, CARBON CANISTER	1	
18	48576	SIDE PANEL ASSEMBLY	1	
19	48578	CUP HOLDER	1	
20	48582	RETARDANT RESERVOIR MOUNT	1	
21	48650	3-WAY DIVERTER VALVE, 1/2 MNPT	1	
22	48651	FITTING, 1/2" FNPT X 3/8" BARB	1	
23	48652	FITTING, 1/2" FNPT X 3/8" BARB, 90 DEG	1	
24	48704	FITTING, ADAPTOR -10MORB X -4FORB	1	
25	48709	FITTING, ORIFICE 4MJ-4MO X .031	1	
26	48992	LATCH BRACKET W/A	1	
27	60021	BRAIDED PVC HOSE, 3/8 X 5/8 (54.96 IN.)	1	
28	60021	BRAIDED PVC HOSE, 3/8 X 5/8 (22.92 IN.)	1	
29	9176	SCREW, HHF M12-1.75 x 80 GR 10.9	2	
30	021112140	NUT, HEX, NYLOC, M12-1.75	2	
31	59017	CLAMP, CUSHIONED LOOP, 2.16" DIA X .53	1	
32	933213	WASHER, FENDER 5/16 X 1 ZINC	1	

RIGHT-HAND CONTROL BOX ASSY.



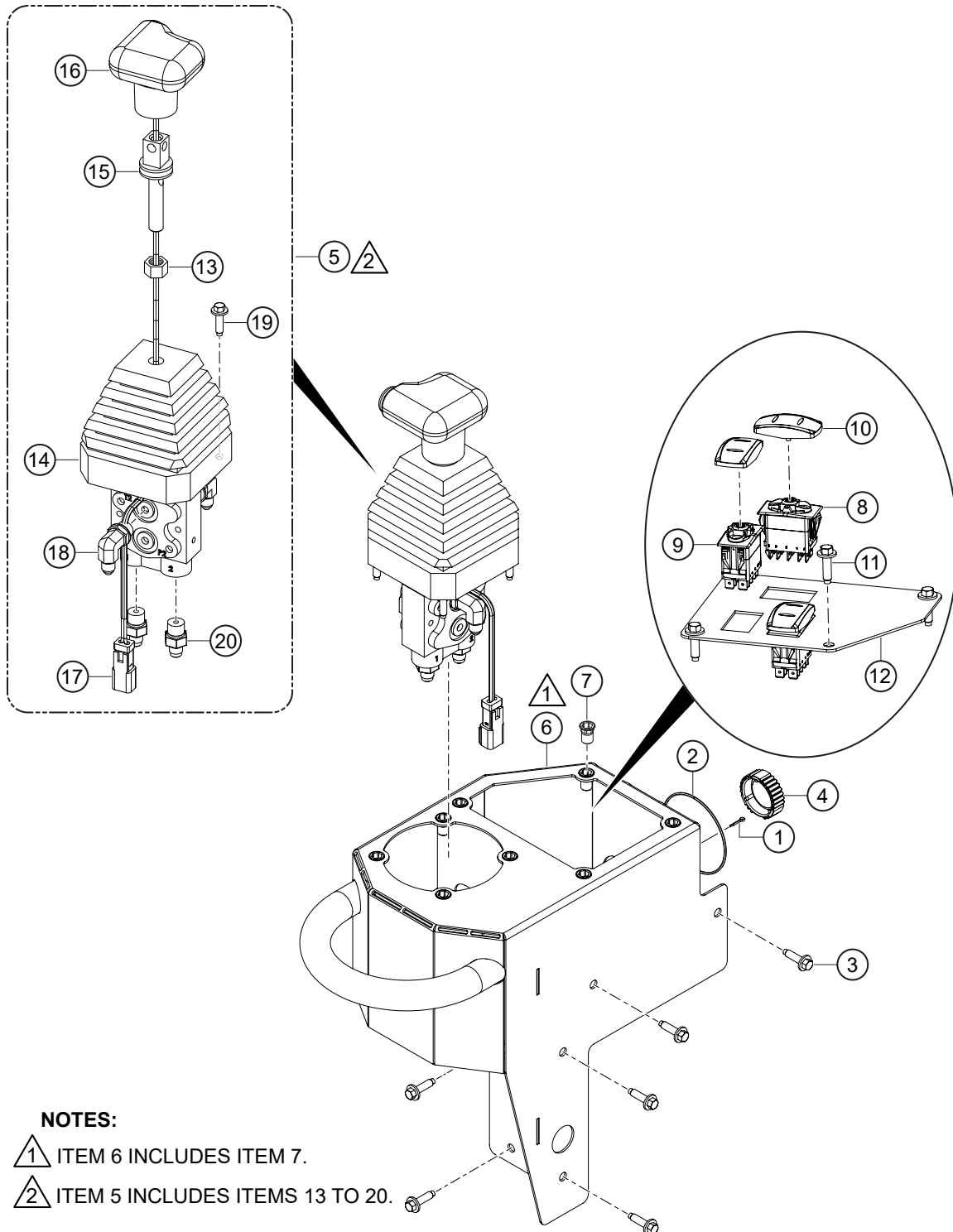
NOTES:

- ① ITEM 5 INCLUDES ITEM 6.
- ② ITEM 4 INCLUDES ITEMS 13 TO 19.

RIGHT-HAND CONTROL BOX ASSY.

<u>NO.</u>	<u>PART NO.</u>	<u>PART NAME</u>	<u>QTY.</u>	<u>REMARKS</u>
1	23959	SWITCH, IGNITION, IP67	1.....	INCLUDES ITEMS W/\$
1A\$	23959-1	KEY, IGNITION SWITCH	1.....	SET COMES W/ 2 KEYS
2	30101	BREAK IN OIL TAG, 3.2" X 1.15"	1	
3	42325	SCREW, HHC, M6-1.0 X 20, CAP. WASHER	6	
4	45438-SK	VALVE ASSY., RH STEERING W/ SWITCH.....	1.....	INCLUDES ITEMS W/%
5	48587	STICK BOX ASSEMBLY-RH.....	1.....	INCLUDES ITEMS W/#
6#	42496	NUT, BLIND, HEX, M6-1.0 X 0.7 - 4.2 GRIP	8	
7	42070	DISPLAY, J1939-MURPHY PV25	1	
8	42178-007	SWITCH BASE, 10 TERM, MOM ON (DPDT)	1	
9	42179-001	ACTUATOR	1	
10	42181-001	INDICATOR, CONTURA VP SERIES	1	
11	42325	SCREW, HHC, M6-1.0 X 20 CAP. WASHER	4	
12	48599	PANEL FACEPLATE RIGHT HAND	1	
13%	12999	HANDLE, PALM W/ SWITCH, RIGHT	1	
14%	16083	NUT, HEX. M12-1.75 NO PLATE	1	
15%	20832	VALVE, RH STEERING	1	
16%	20834	ADAPTOR, PH PALM HANDLE	1	
17%	37402	CONNECTOR KIT, MALE 2 POSITION	1	
18%	42325	SCREW, HHC, M6-1.0 X 20 CAP. WASHER	4	
19	367470	FITTING, STR 4MJ-6MO	6	

LEFT-HAND CONTROL BOX ASSY.



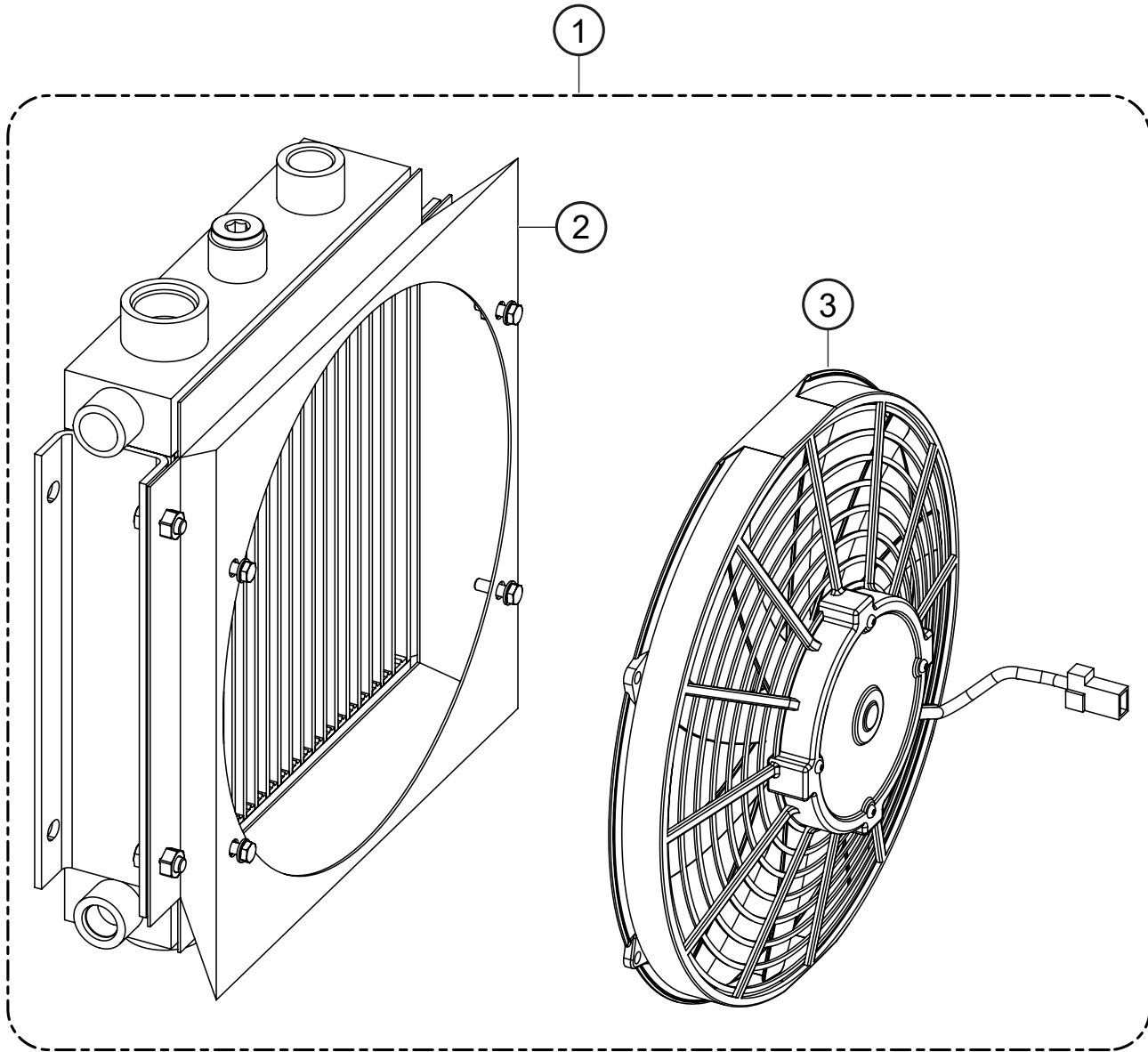
NOTES:

- ① ITEM 6 INCLUDES ITEM 7.
- ② ITEM 5 INCLUDES ITEMS 13 TO 20.

LEFT-HAND CONTROL BOX ASSY.

<u>NO.</u>	<u>PART NO.</u>	<u>PART NAME</u>	<u>QTY.</u>	<u>REMARKS</u>
1	5117	PIN, COTTER 1/16 X 1/2	1	
2	36496	O-RING, SIZE-026	1	
3	42325	SCREW, HHC, M6-1.0 X 20, CAP. WASHER	6	
4	42442	CON. CAP, HD10, 9 PIN W/ LANYARD	1	
5	45437-SK	VALVE, LH STEERING W/ SWITCH ASSY.	1.....	INCLUDES ITEMS W/%
6	48592	STICK BOX ASSEMBLY-LEFT-HAND	1.....	INCLUDES ITEMS W/#
7#	42496	NUT, BLIND, HEX. M6-1.0 X 0.7 - 4.2 GRIP	8	
8	42178-006	SW. BASE 10 TERM, ON-OFF DUAL POLE	1	
9	42178-007	SW. BASE 10 TERM, ON-OFF-MOM ON	2	
10	42179-001	ACTUATOR	3	
11	42325	SCREW, HHC, M6-1.0 X 20, CAP. WASHER	4	
12	48601	PANEL FACEPLATE LEFT HAND	1	
13%	16083	NUT, HEX. M12-1.75 NO PLATE	1	
14%	20833	VALVE, LH STEERING	1	
15%	21053	ADAPTOR, LH PALM HANDLE	1	
16%	22001	HANDLE, PALM W/ SWITCH, LEFT	1	
17%	37402	CONNECTOR KIT, MALE 2 POSITION	1	
18%	37407	90° FITTING, 4MJ X 6MO	2	
19%	42325	SCREW, HHC, M6-1.0 X 20, CAP. WASHER	4	
20%	367470	FITTING, STR 4MJ-6MO	2	

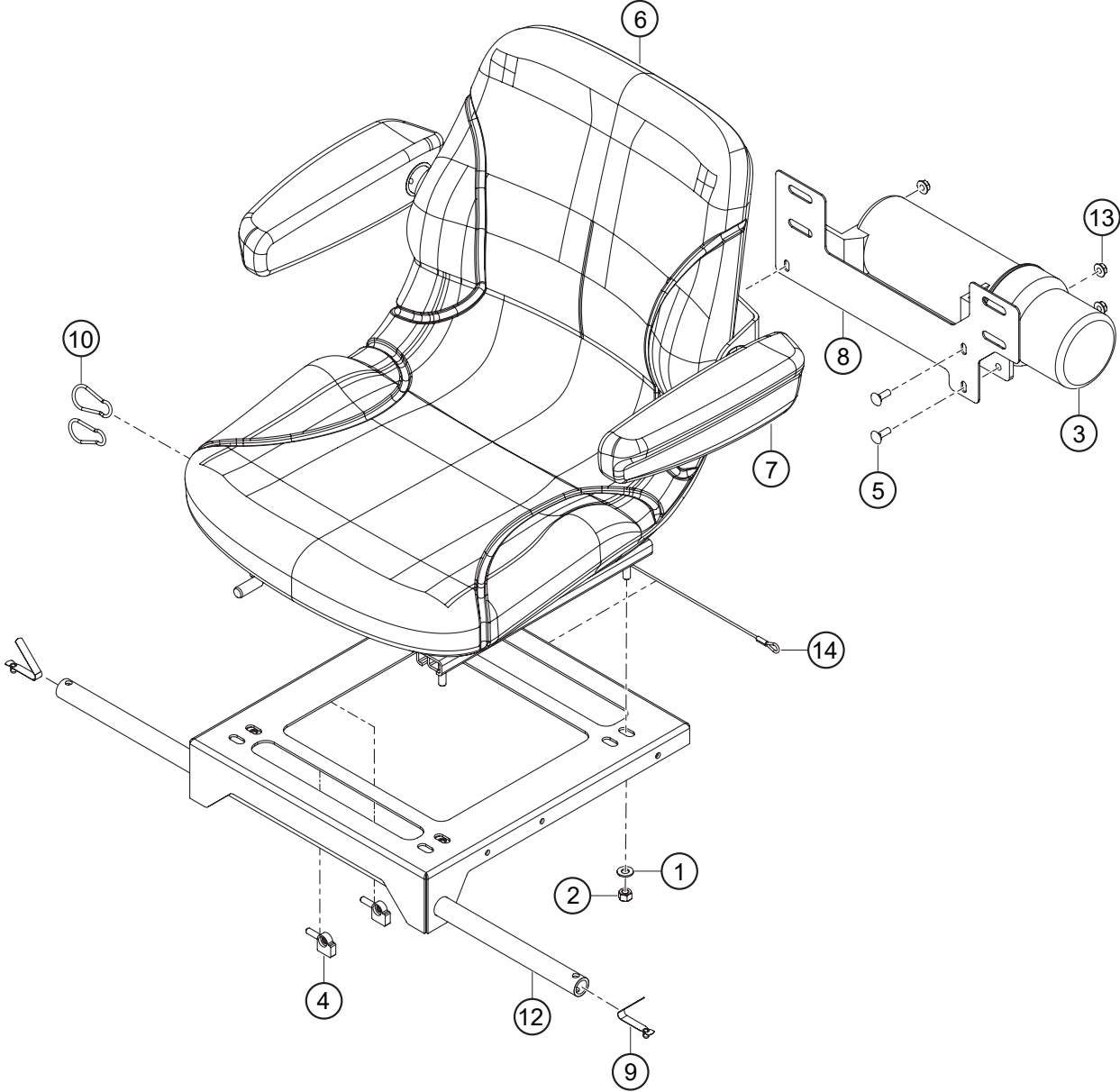
HEAT EXCHANGER ASSY.



HEAT EXCHANGER ASSY.

<u>NO.</u>	<u>PART NO.</u>	<u>PART NAME</u>	<u>QTY.</u>	<u>REMAR</u>
1	48163	HEAT EXCHANGER ASSY.....	1.....	INCLUDES ITEMS W/#
2#	48162	HEAT EXCHANGER, HYDRAULIC	1	
3#	42648-01	FAN, HEAT EXCHANGER 12"	1	

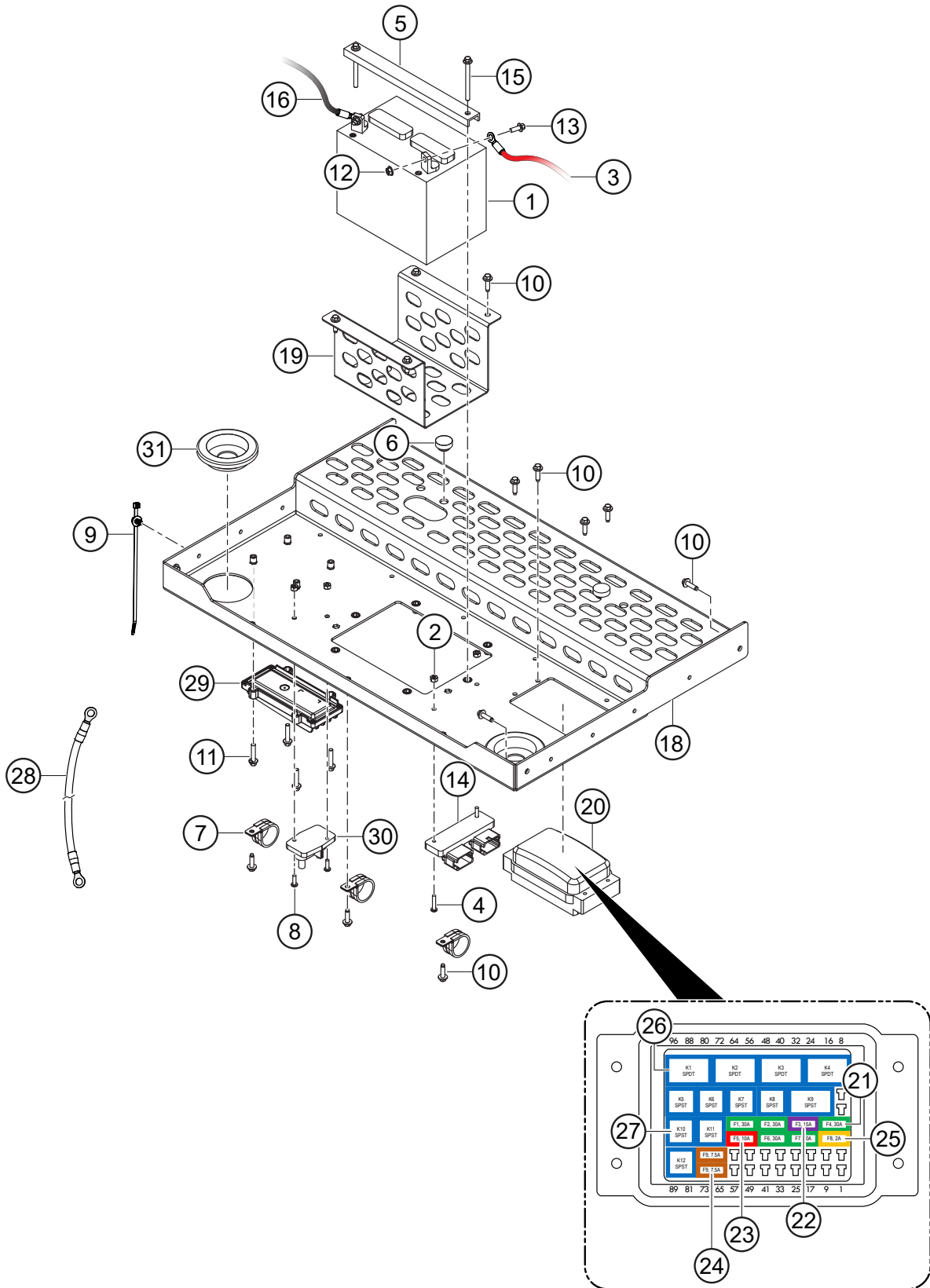
SEAT ASSY.



SEAT ASSY.

<u>NO.</u>	<u>PART NO.</u>	<u>PART NAME</u>	<u>QTY.</u>	<u>REMARKS</u>
1	0300 B	WASHER, FLAT SAE 5/16	4	
2	5283	NUT, NYLOC 5/16-18	4	
3	23297	MANUAL HOLDER	1	
4	23841	CLIP 1/4" WIRE LOOM	2	
5	29712	BOLT, CARRIAGE 1/4-20 X 3/4	3	
6	32960	SEAT, BASIC W/RAILS AND KILL SW.	1	
7	34792	ARM REST, SEAT	1	
8	43979	BRACKET, MOUNTING	1	
9	45569	CONNECTOR, QUICK RELEASE, .25	2	
10	45571	QUICK LINK, SPRING, 3/16	2	
11	48405	SEAT SWITCH HARNESS	1	
12	48580	SEAT FRAME W/A	1	
13	49070	NUT, HFS, 1/4-20	3	
14	52099	SEAT STOP CABLE ASSY.	1	

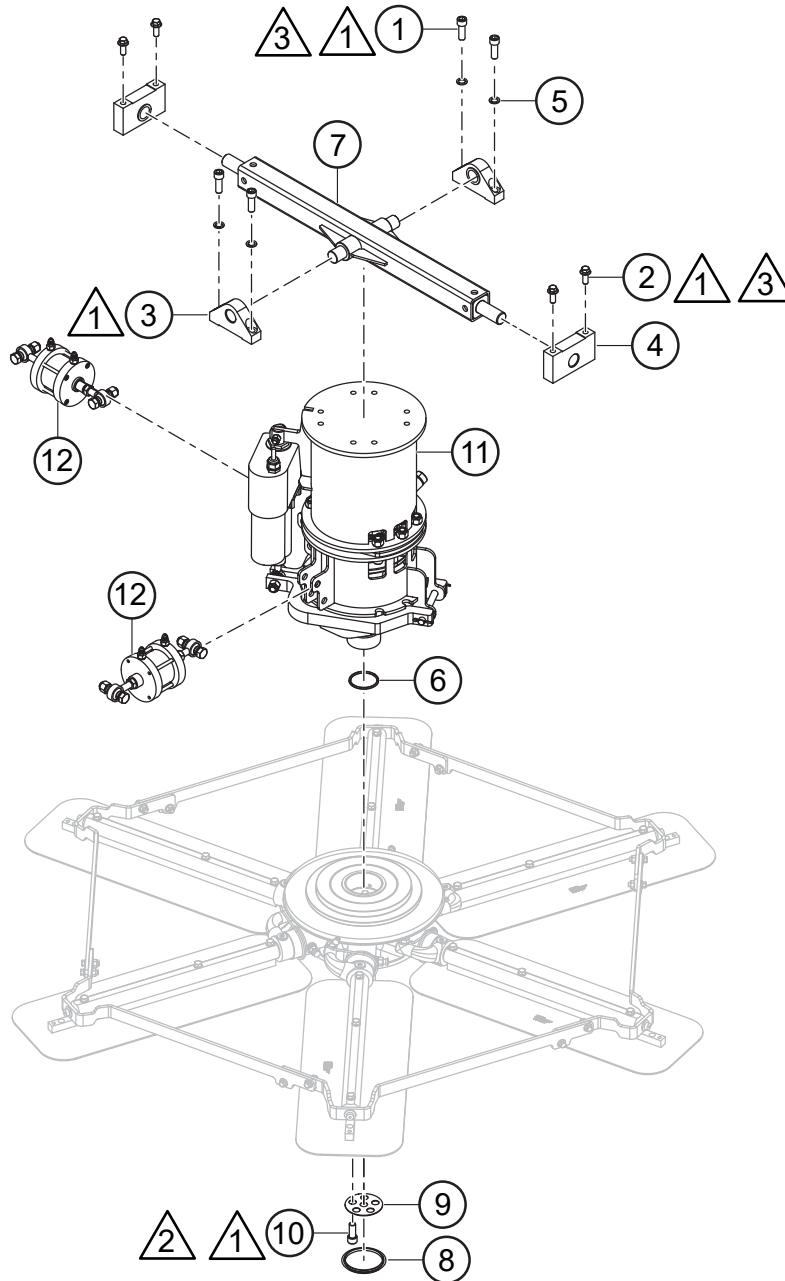
ELECTRICAL PANEL ASSY.



ELECTRICAL PANEL ASSY.

<u>NO.</u>	<u>PART NO.</u>	<u>PART NAME</u>	<u>QTY.</u>	<u>REMARKS</u>
1	4671	BATTERY, WET GR UI	1	
2	10019	NUT, NYLOC 10-32	4	
3	12022	CABLE, BATTERY NEG. 4 GA X 23	1	
4	15177	SCREW, PHP 10-32 X 1	2	
5	20356	BRACKET, BATTERY HOLD-DOWN	1	
6	21597	BUMPER, STEM 1.0"D X .5S X .31	2	
7	22852	CLAMP, CUSHIONED LOOP #24	3	
8	34306	SCREW, PHP, 10-32 X 5/8, TYPE F	2	
9	42315	TIE, CABLE ASSY., FIR TREE MT./CABLE	11	
10	42325	SCREW, HHC, M6-1.0 X 20, CAP. WASHER	15	
11	42347	SCREW, HFS M6-1.0 X 30 GD 8.8	4	
12	42352	NUT, HEX, SERRATED-FLANGE, M6-1.0	2	
13	42542	SCREW HFS M6-1.0 X 16	2	
14	42713	BUSS BAR, DEUTSCH STYLE, 24 PIN	1	
15	42929	SCREW, HHF M6-1.0 X 70-8.8	2	
16	42931	CABLE, BATTERY POS, 6 GA 21"	1	
18	48584	ELECTRICAL PANEL	1	
19	48585	BATTERY MOUNT	1	
20	48699	POWER DISTRIBUTION MODULE, 96 PIN.....	1.....	INCLUDES ITEMS W/#
21#	46259W	FUSE, 30A	5	
22#	46256W	FUSE, 15A	1	
23#	46255W	FUSE, 10A	1	
24#	46254W	FUSE, 7.5A	2	
25#	46250W	FUSE, 2A	1	
26#	3011CCR1U01	RELAY, 5-PIN MICRO	5	
27#	3031AHCR1U01	RELAY, 4-PIN MICRO	7	
28	48717	CABLE, BATT. POS. 6GA X 44", 5/16" RING	1	
29	48782	MC41 PROGRAMED	1	
30	48790	DUAL BATTERY POWER POST	1	
31	59372	GROMMET, ROUND LIGHT, 2 1/2"	2	

RIGHT SIDE ROTOR ASSY.



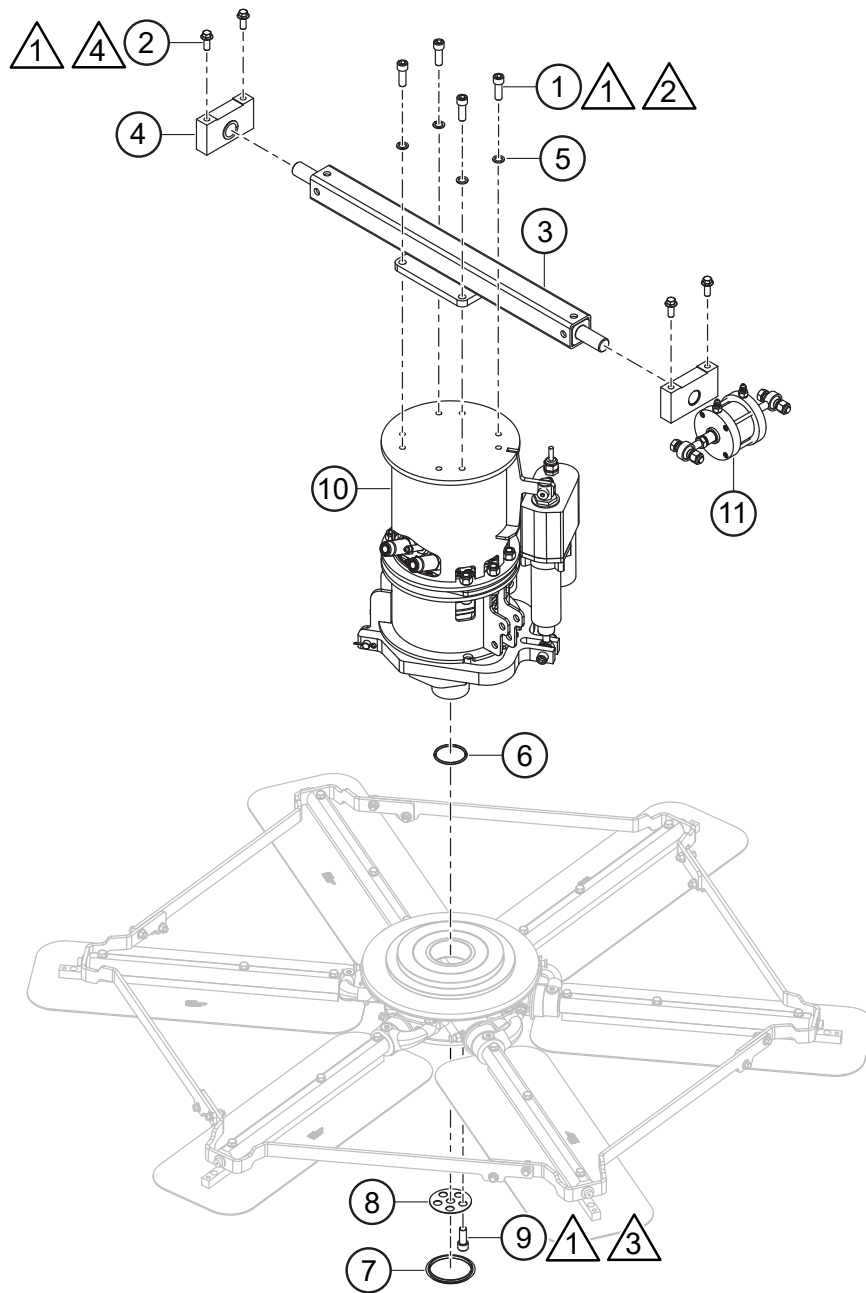
NOTES:

- ① APPLY LOCTITE #246 ON ITEMS 1, 2, 3, 10.
- ② ITEM 2 MUST BE TORQUE 113 FT-LB.
- ③ ITEM 1 MUST BE TORQUE 40 FT-LB.

RIGHT SIDE ROTOR ASSY.

<u>NO.</u>	<u>PART NO.</u>	<u>PART NAME</u>	<u>QTY.</u>	<u>REMARKS</u>
1	17105	SCREW, SHC M12-1.75 X 35 SS, DIN912.....	4.....	APPLY LOCTITE 246 TORQUE 40 FT-LB
2	32976	SCREW, HFS M10-1.5 X 25 - 10.9.....	4.....	APPLY LOCTITE 246 TORQUE 40 FT-LB
3	42280	BLOCK, MOTOR MOUNTT.	2.....	APPLY LOCTITE 246
4	43152	PIVOT BLK. ASSY., MTR. MT. W/BUSHING	2	
5	43180	WASHER, FLAT M12, DIN 433	4	
6	43186	O-RING, SIZE 2-226 VITON	1	
7	43194	TRUNNION, SQUARE DOUBLE DOF	1	
8	43729	CAP PLUG, SPIDER HUB	1	
9	48183	WASHER, HARDENED	1	
10	48184	SCREW, SHC, M14-2.0 X 30, 12.9.....	6.....	APPLY LOCTITE 246 TORQUE 113 FT-LB
11	48571	ROTOR ASSEMBLY-TOP	1	
12	48572	CYLINDER ASSY., HYD. STEERING	2	

LEFT SIDE ROTOR ASSY.



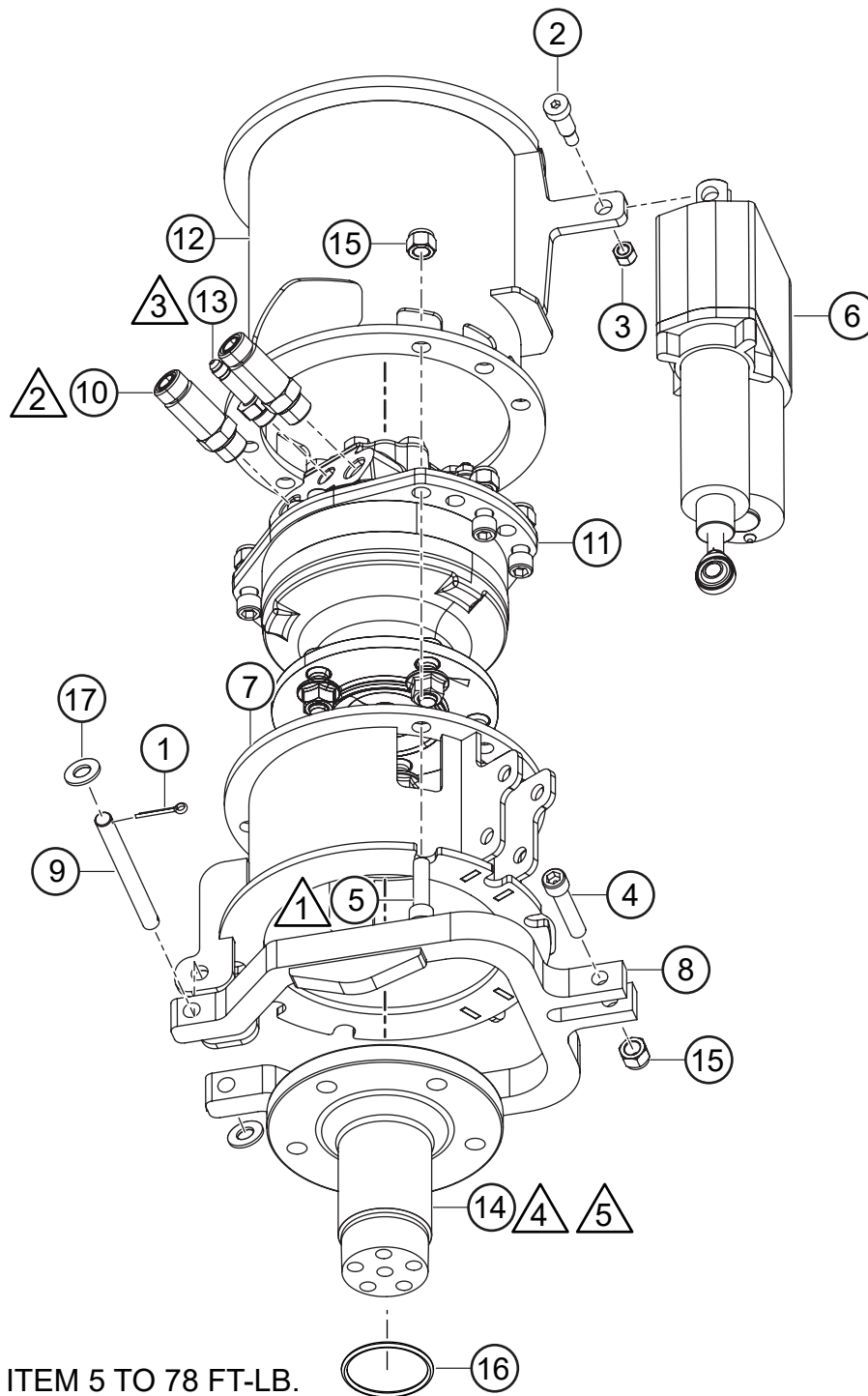
NOTES:

- ① APPLY LOCTITE #246 ON ITEMS 1, 2, AND 9.
- ② ITEM 1 MUST BE TORQUE 50 FT-LB.
- ③ ITEM 9 MUST BE TORQUE 113 FT-LB.
- ④ ITEM 2 MUST BE TORQUE 40 FT-LB.

LEFT SIDE ROTOR ASSY.

<u>NO.</u>	<u>PART NO.</u>	<u>PART NAME</u>	<u>QTY.</u>	<u>REMARKS</u>
1	17105	SCREW, SHC M12-1.75 X 35 SS, DIN912.....	4.....	APPLY LOCTITE 246 TORQUE 50 FT-LB
2	32976	SCREW, HFS M10-1.5 X 25 - 10.9.....	4.....	APPLY LOCTITE 246 TORQUE 40 FT-LB
3	43106	TRUNION W/A, SINGLE DOF	1	
4	43152	PIVOT BLK. ASSY., MTR MT. W/BUSHING	2	
5	43180	WASHER, FLAT M12, DIN 433	4	
6	43186	O-RING, SIZE 2-226 VITON	1	
7	43729	CAP PLUG, SPIDER HUB	1	
8	48183	WASHER, HARDENED M14 SPIDER HUB	1	
9	48184	SCREW, SHC, M14-2.0 X 30, 12.9.....	6.....	APPLY LOCTITE 246 TORQUE 113 FT-LB
10	48571	ROTOR ASSEMBLY-TOP	1	
11	48572	CYLINDER ASSY., HYD. STEERING	1	

ROTOR ASSY.



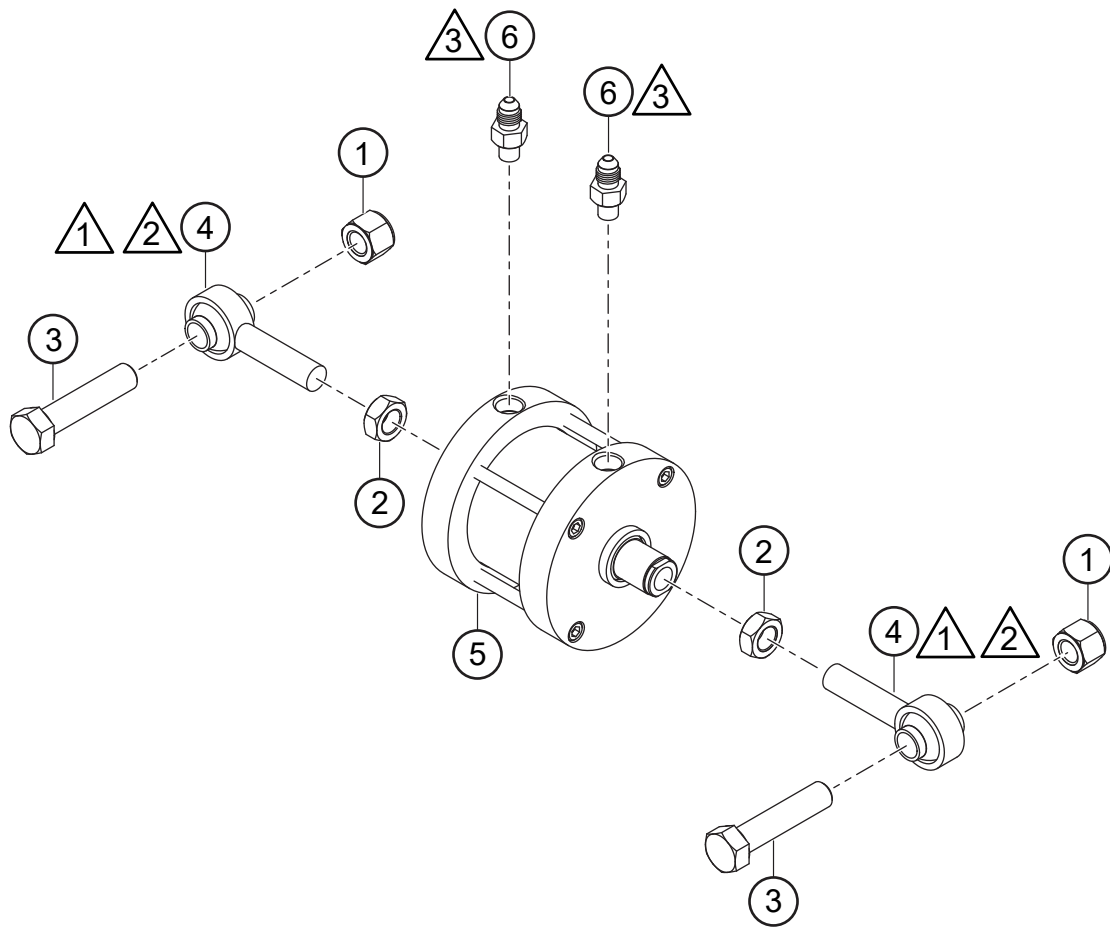
NOTES:

- ① TORQUE ITEM 5 TO 78 FT-LB.
- ② TORQUE ITEM 10 TO 90 FT-LB.
- ③ TORQUE ITEM 13 TO 50 FT-LB.
- ④ APPLY GREASE.
- ⑤ APPLY ANTI-SEIZE.

ROTOR ASSY.

<u>NO.</u>	<u>PART NO.</u>	<u>PART NAME</u>	<u>QTY.</u>	<u>REMARKS</u>
1	0183	PIN, COTTER 1/8 X 1-1/4	2	
2	2527	SCREW, SHC, SHLDR., 3/8-16, 1/2 X 1	1	
3	10133	NUT, NYLOC 3/8-16	1	
4	17106	SCREW, SHC M12-1.75 X 60 SS, DIN912	1	
5	32977	SCREW, SHC M12-1.75 X 45 GR 12.9	6.....	TORQUE TO 78 FT-LB
6	45497	ACTUATOR, LINEAR, PA-17, 2"	1	
7	45819	ROTOR HOUSING W/A, LOWER	1	
8	45850	YOKE W/A, MD8	1	
9	45857	PIN, YOKE PIVOT	1	
10	45948	FITTING, STR. LONG -10MORB-10 MORFS ...	2.....	TORQUE TO 90 FT-LB
11	48385	MOTOR, HYD MSE02, POCLAIN (398CC)	1	
12	48435	ROTOR HOUSING W/A-TOP	1	
13	48706	FITTING, STR LONG, -4MJIC X -8MORB.....	1.....	TORQUE TO 50 FT-LB
14	48741	DRIVE ADAPTOR.....	1.....	APPLY GREASE APPLY ANTI-SEIZE
15	021112140	NUT, HEX, NYLOC, M12-1.75	7	
16	43186	O-RING, SIZE 2-226 VITON	1	
17	933244	WASHER, FLAT SAE 1/2 GR 9	2	

CYLINDER ASSY.



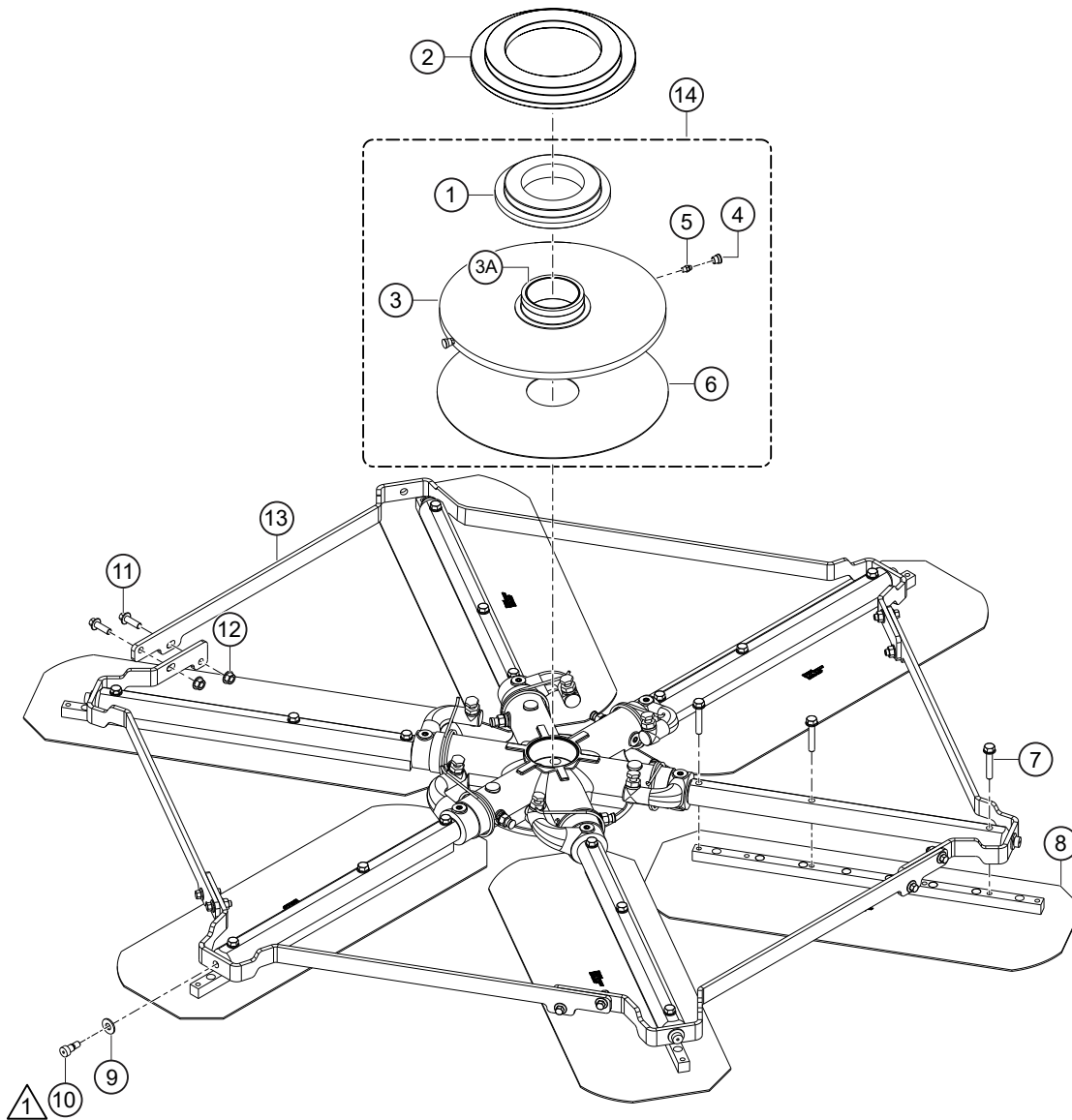
NOTES:

- ① APPLY LOCTITE #246.
- ② APPLY LOCTITE AFTER TIE ROD ADJUSTMENT.
- ③ APPLY VIBRA-TITE 440 (2 PLACES).

CYLINDER ASSY.

<u>NO.</u>	<u>PART NO.</u>	<u>PART NAME</u>	<u>QTY.</u>	<u>REMARKS</u>
1	10176	NUT, NYLOC 1/2-13	2	
2	11146	NUT, HEX JAM 1/2-20 PLATED	2	
3	13178	SCREW, HHC 1/2-13 X 2-1/4-GR5	2	
4	21944	ROD END, 1/2-20 M RH W/CUSTOM BALL	2	APPLY LOCTITE 246
5	45585	CYLINDER, 2.5" BORE X 1.5" STR X .75"	1	
6	366155	FITTING, STR 4MJ-1/4MP	2	APPLY VIBRA-TITE 440

RIGHT-SIDE STABILIZER STRUT ASSY.

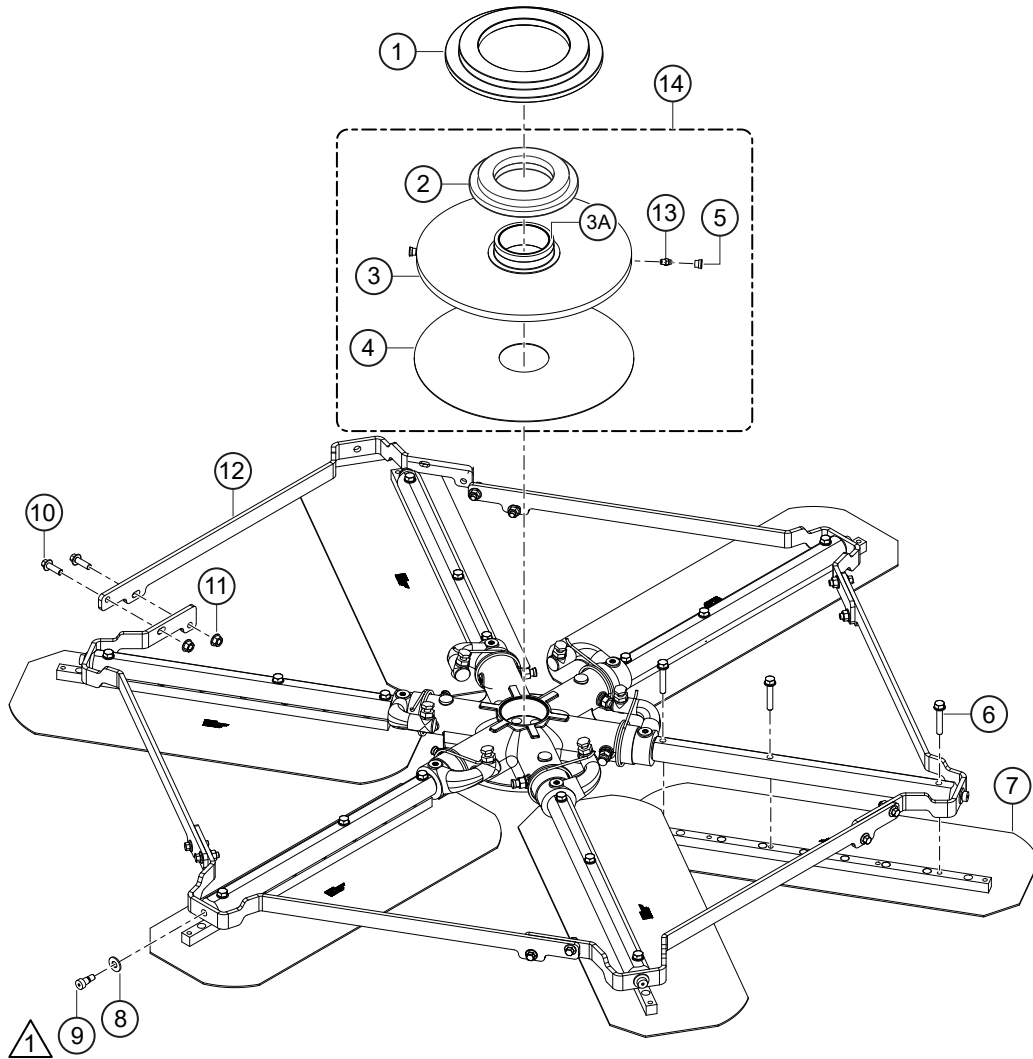


NOTES:
① APPLY LOCTITE #246

RIGHT-SIDE STABILIZER STRUT ASSY.

<u>NO.</u>	<u>PART NO.</u>	<u>PART NAME</u>	<u>QTY.</u>	<u>REMARKS</u>
1#	12779	BEARING, 85MM X 130MM, FLANGED	1	
2	43089	COLLAR, BEARING EXTENDER	1	
3#	12315	THRUST COLLAR W/BUSHING	1	
3A	12316	BUSHING, THRUST COLLAR W/ HOLE	1	
4#	1162 A	CAP, GREASE ZERK, #2 YELLOW	2	
5#	2621	FITTING, GREASE ZERK STR 1/4-28	2	
6#	12250	PLATE, WEAR	1	
7	22174	SCREW, HHFS 5/16-18X1.75 GR5	18	
8		BLADE ASSY., 8 X 23 STD. STC	6.....	CONTACT UNIT SALES DEPT.
9	28275-001	WASHER, FLAT, 5/16 USS HI-STRENGTH	6	
10	3910382	SCREW, SHDLR 3/8D X 3/8L, 5/16-1	6.....	APPLY LOCTITE 246
11	42436	SCREW, HFS, ZP, M8-1.25 X 25	12	
12	23802	NUT, HEX FLANGE M8-1.25 SERRATED	12	
13	43195	STRUT, STABILIZER GEN 4	6	
14	20939	THRUST COLLAR ASSEMBLY	1.....	INCLUDES ITEMS W/#

LEFT-SIDE STABILIZER STRUT ASSY.

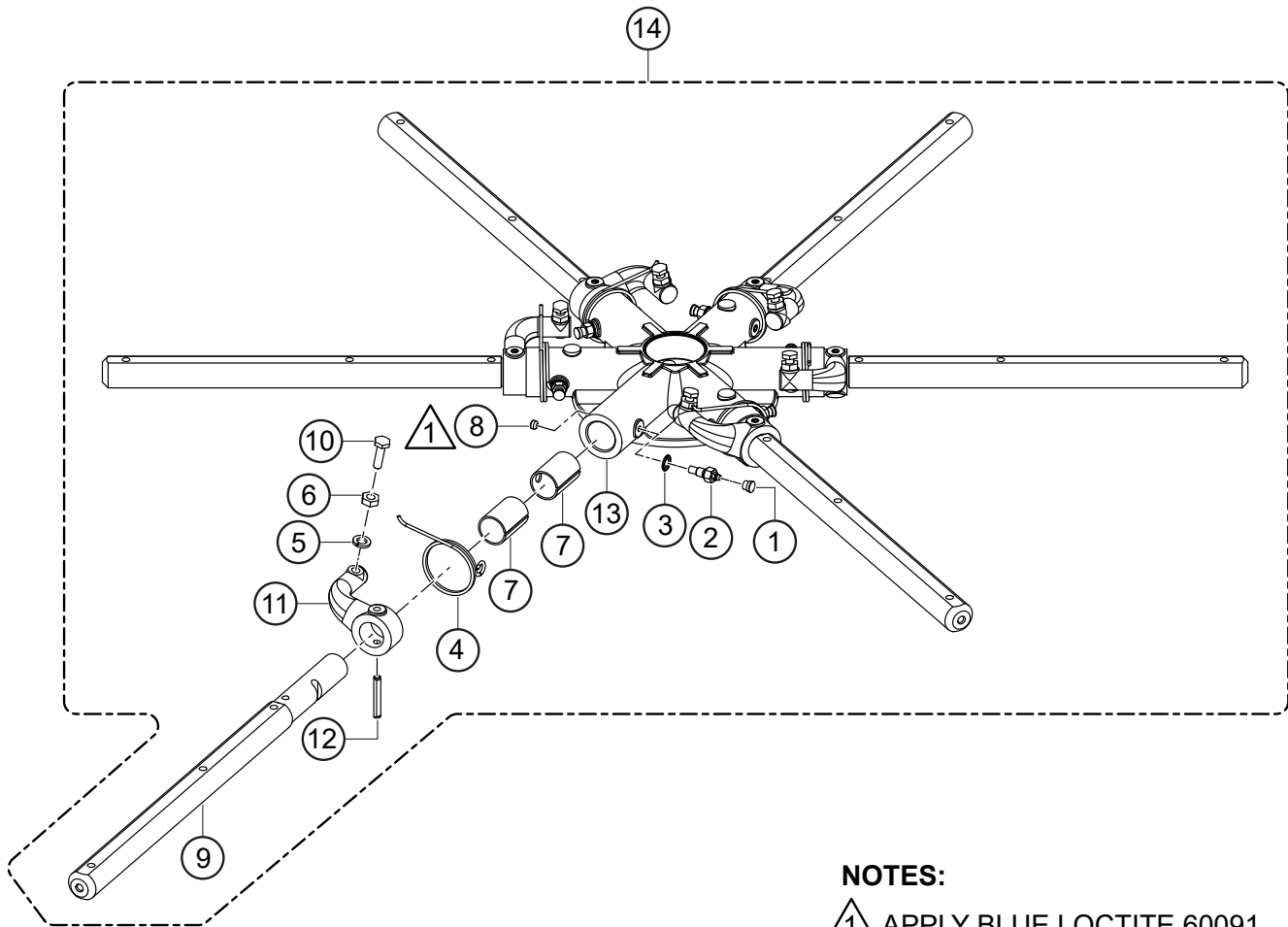


NOTES:
① APPLY LOCTITE #246

LEFT-SIDE STABILIZER STRUT ASSY.

<u>NO.</u>	<u>PART NO.</u>	<u>PART NAME</u>	<u>QTY.</u>	<u>REMARKS</u>
1	43089	COLLAR, BEARING EXTENDER	1	
2#	12779	BEARING, 85MM X 130MM, FLANGED	1	
3#	12315	THRUST COLLAR W/BUSHING	1	
3A#	12316	BUSHING, THRUST COLLAR W/ HOLE	1	
4#	12250	PLATE, WEAR	1	
5#	1162 A	CAP, GREASE ZERK, #2 YELLOW	2	
6	22174	SCREW, HHFS 5/16-18 X 1.75 GR5	18	
7		BLADE ASSY., 8 X 23 STD. STC	6.....	CONTACT UNIT SALES DEPT.
8	28275-001	WASHER, FLAT, 5/16 USS	6	
9	3910382	SCREW, SHDLR 3/8D X 3/8L, 5/16-1	6.....	APPLY LOCTITE 246
10	42436	SCREW, HFS, ZP, M8-1.25 X 25	14	
11	23802	NUT, HEX FLANGE M8-1.25 SERRATED	14	
12	43195	STRUT, STABILIZER GEN 4	6	
13#	2621	FITTING, GREASE ZERK STR. 1/4-28	2	
14	20939	THRUST COLLAR ASSEMBLY	1.....	INCLUDES ITEMS W/#

RIGHT-SIDE SPIDER ASSY.



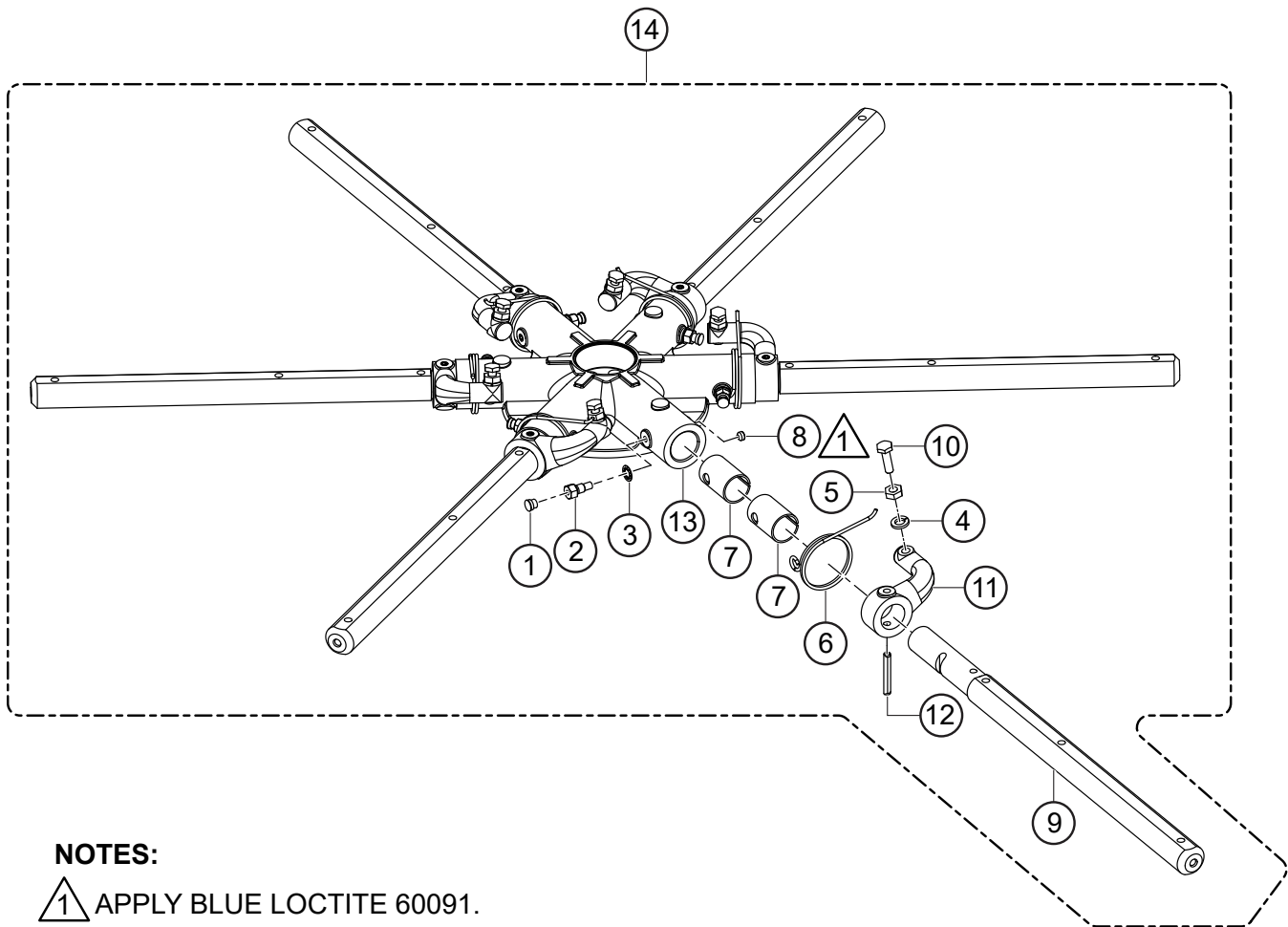
NOTES:

△ 1 APPLY BLUE LOCTITE 60091.

RIGHT-SIDE SPIDER ASSY.

<u>NO.</u>	<u>PART NO.</u>	<u>PART NAME</u>	<u>QTY.</u>	<u>REMARKS</u>
1#	1162 A	CAP, GREASE ZERK, #2 YELLOW	6	
2#	1322	SCREW ASSY., TROWEL ARM RETAINING	6	
3#	1875	WASHER, EXT. SHKP, 3/8 PLTD	6	
4#	2143	SPRING, RS H ARM RETURN STD BOSS	6	
5#	2955	WASHER, LOCK, 7/16 ZINC	6	
6#	07034-007	NUT, HEX JAM 7/16-14 PLATED	6	
7#	11039	BUSHING, TROWEL ARM	12	
8#	11602	SCREW, SHS 3/8-16 x 1/4	6	APPLY BLUE LOCTITE 60091
9#	11991	ARM, TROWEL, 6 BLADE	6	
10#	21031	SCREW, HHC ROUNDED 7/16-14	6	
11#	21050	LEVER, TROWEL ARM HYD R.S.	6	
12#	32045	PIN, SPIRAL 5/16 X 2 NP	6	
13#	48182	SPIDER PLATE, RD HUB 6 BLD	1	
14	48336	SPIDER ASSEMBLY, 6-BLADE RH	1	INCLUDES ITEMS W/#

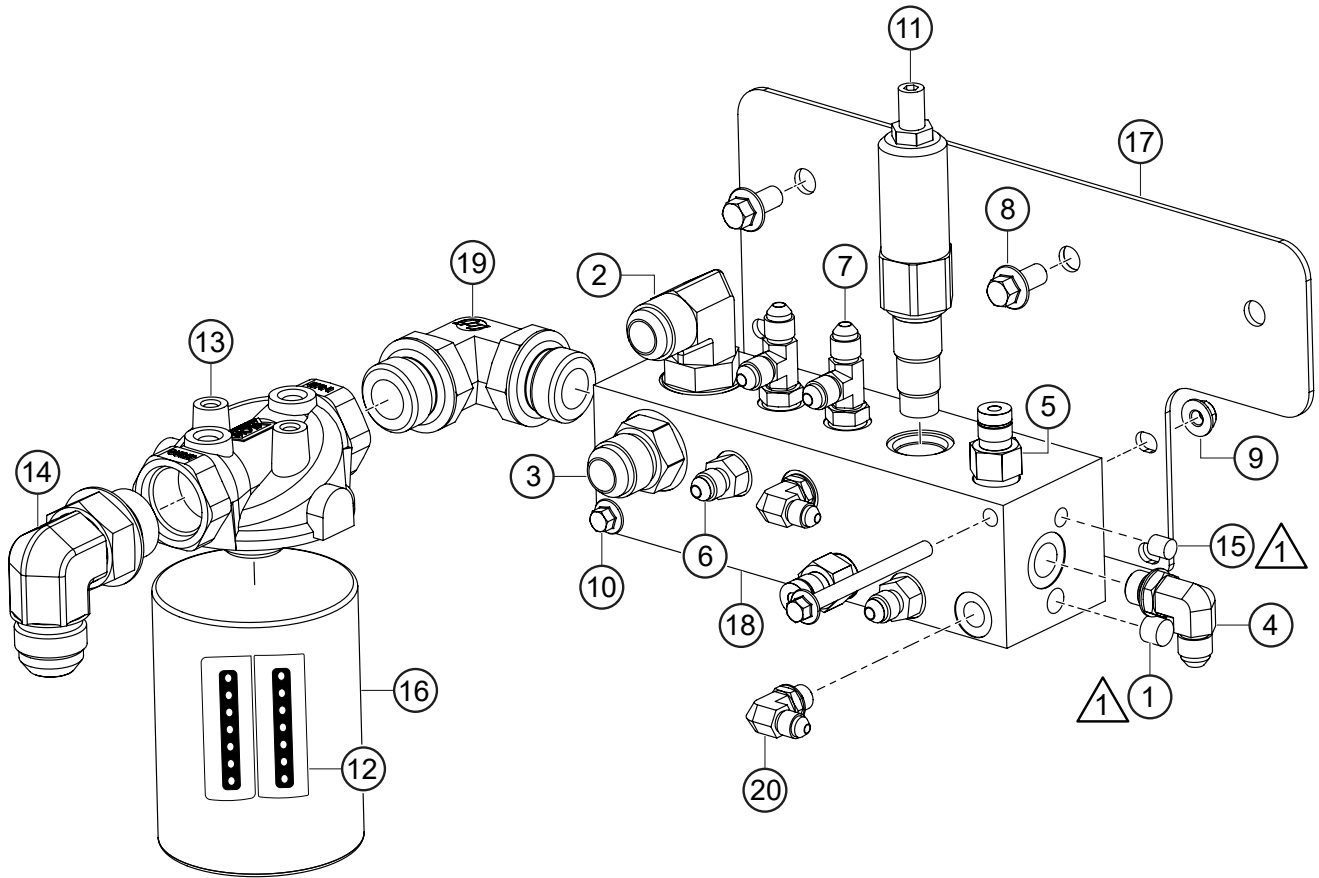
LEFT-SIDE SPIDER ASSY.



LEFT-SIDE SPIDER ASSY.

<u>NO.</u>	<u>PART NO.</u>	<u>PART NAME</u>	<u>QTY.</u>	<u>REMARKS</u>
1#	1162 A	CAP, GREASE ZERK, #2 YELLOW	6	
2#	1322	SCREW ASSY., TROWEL ARM RETAINING	6	
3#	1875	WASHER, INT. SHKP, 3/8	6	
4#	2955	WASHER, LOCK, 7/16 ZINC	6	
5#	07034-007	NUT, HEX JAM 7/16-14 PLATED	6	
6#	9111	SPRING, LS H ARM RETURN STD. BOSS	6	
7#	11039	BUSHING, TROWEL ARM	12	
8#	11602	SCREW, SHS 3/8-16 X 1/4.....	6.....	APPLY BLUE LOCTITE 60091
9#	11991	ARM, TROWEL, 6 BLADE	6	
10#	21031	SCREW, HHC ROUNDED 7/16-14	6	
11#	21049	LEVER, TROWEL ARM HYD LEFT SIDE	6	
12#	32045	PIN, SPIRAL 5/16 X 2 NP	6	
13#	48182	SPIDER PLATE, RD HUB 6BLD	1	
14	48337	SPIDER ASSEMBLY, 6-BLADE LH.....	1.....	INCLUDES ITEMS W/#

HYDRAULIC FILTER AND MANIFOLD ASSY.



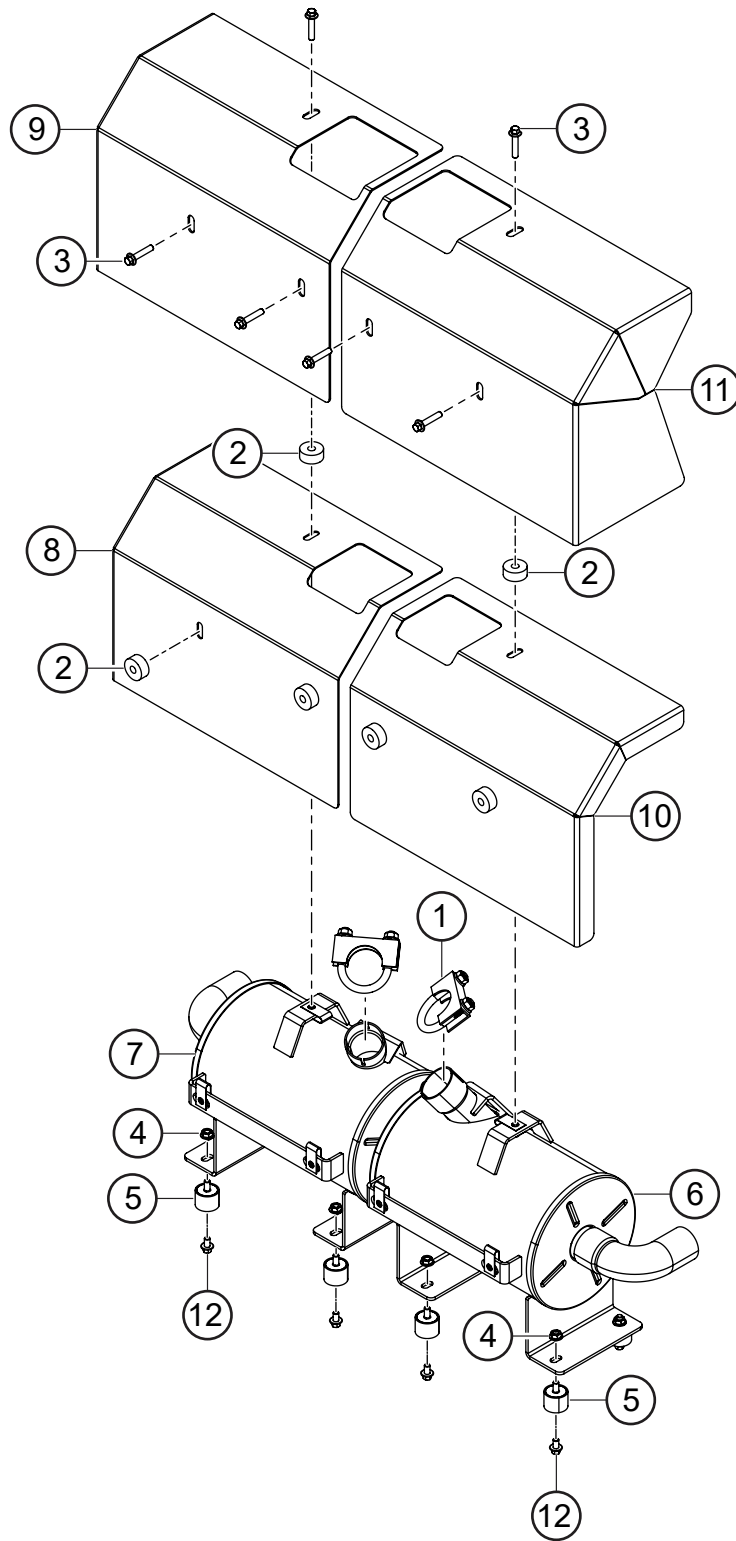
NOTES:

△ 1 APPLY VIBRA-TITE 440 ON ITEMS 1 AND 15.

HYDRAULIC FILTER AND MANIFOLD ASSY.

<u>NO.</u>	<u>PART NO.</u>	<u>PART NAME</u>	<u>QTY.</u>	<u>REMARKS</u>
1	2113	FITTING, PLUG 1/8MP HEX SKT HD	1.....	APPLY VIBRA-TITE 440
2	3322	FITTING, 90° 10MJ-10MO	1	
3	3365	FITTING, STR 10MJ-10MO	1	
4	11722	FITTING, 90° 6MJ-6MO	1	
5	12546	FITTING, QD 4MO DIAGN PARKER PD341	2	
6	21095	FITTING, STR 4MJ-4MO	2	
7	35157	FITTING, TEE 4MO-4MJ-4MJ RUN	2	
8	42342	SCREW, HFS, M8-1.25 X 16 GR 8.8	2	
9	42352	NUT, HEX, SERRATED-FLANGE, M6-1.0	2	
10	42929	SCREW, HHF M6-1.0 X 70-8.8	2	
11	45467	VALVE ASSY., PRESS. REDUC. STEERING	1	
12	45531	DECAL, TEMP IND., 86°F TO 194°F	1	
13	45624	HOUSING, FILTER, SAE-12 INLINE	1	
14	45626	FITTING, 90°-12MO X-12MJ	1	
15	45643	FITTING, PLUG 1/16MP HEX. SKT. HD.....	1.....	APPLY VIBRA-TITE 440
16	45644	FILTER, HYD.10 MICRON	1	
17	48628	BRACKET, HYDRAULIC MANIFOLD	1	
18	48644	MANIFOLD, RETURN/STEERING	1	
19	48646	FITTING, 12MO 12MO 90°	1	
20	368817	FITTING, 90° 4MJ-4MO	2	

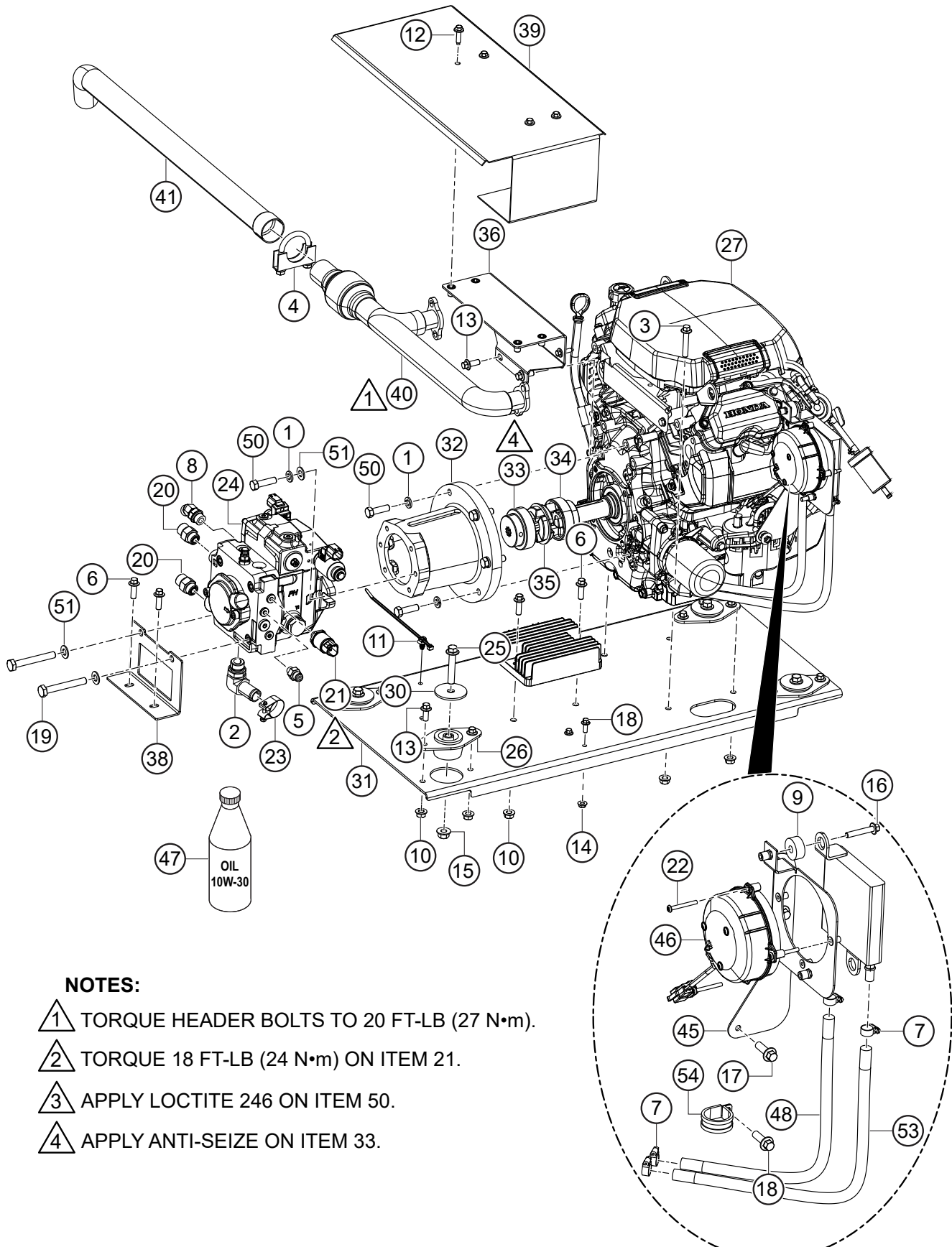
MUFFLER ASSY.



MUFFLER ASSY.

<u>NO.</u>	<u>PART NO.</u>	<u>PART NAME</u>	<u>QTY.</u>	<u>REMARKS</u>
1	10855	CLAMP, 1-1/2 MUFFLER, GUILLOTINE	2	
2	21996	SPACER, 1.00 OD X .328 ID X .438 THK	6	
3	42347	SCREW, HFS M6-1.0 X 30 GR 8.8	6	
4	42352	NUT, HEX, SERRATED-FLANGE, M6 -1.0	8	
5	48538	ISOLATOR, STUD/STD MOUNT, SILCONE	2	
6	52103	MUFFLER, LEFT SIDE	1	
7	52104	MUFFLER, RIGHT SIDE	1	
8	52105	HEAT SHIELD, RIGHT INNER	1	
9	52106	HEAT SHIELD, RIGHT OUTER	1	
10	52107	HEAT SHIELD, LEFT INNER	1	
11	52108	HEAT SHIELD, LEFT OUTER	1	
12	52109	SCREW, HHF M6-1.0 X 10, CLASS 10.9	8	

FRONT/RIGHT ENGINE ASSY.



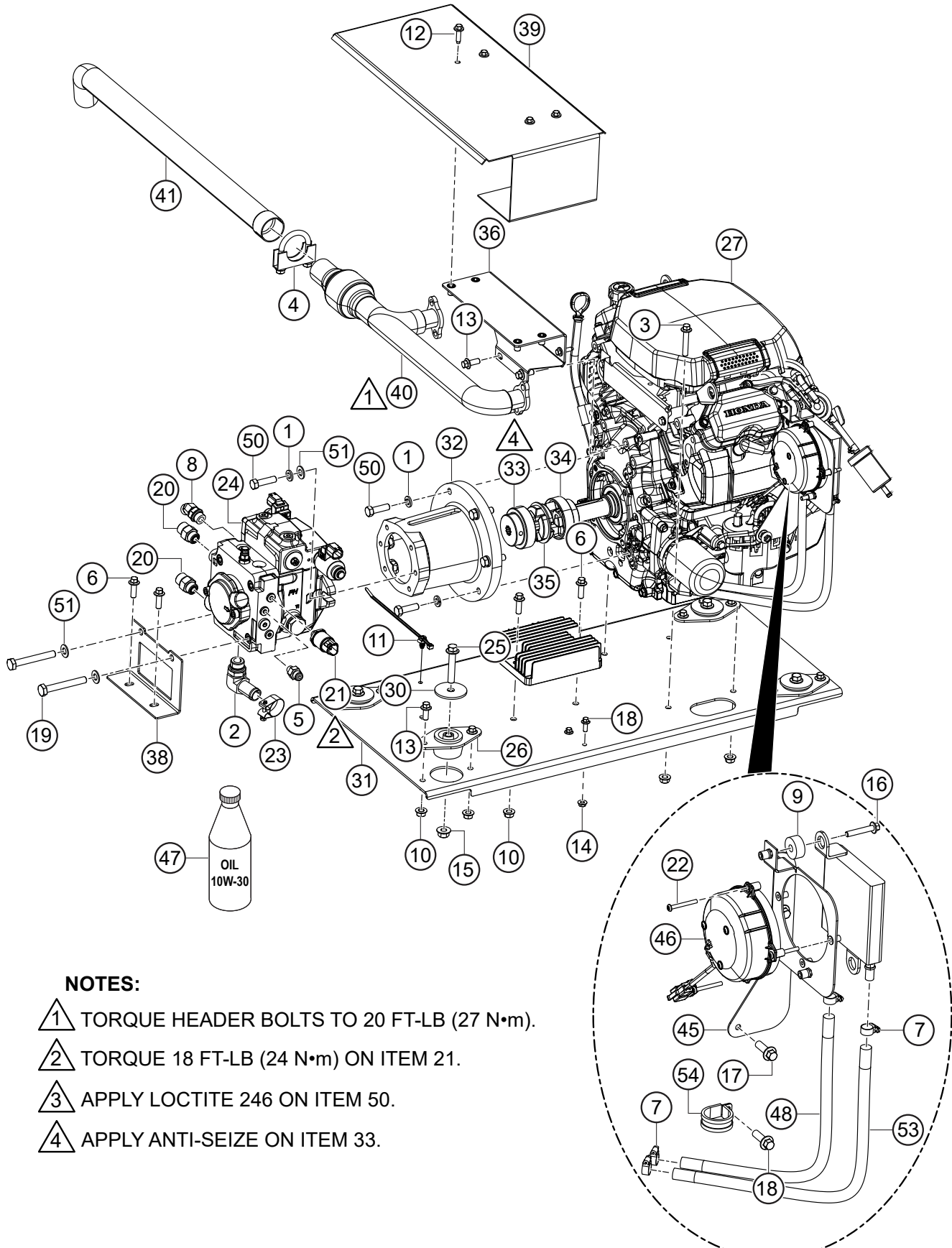
NOTES:

- ① TORQUE HEADER BOLTS TO 20 FT-LB (27 N•m).
- ② TORQUE 18 FT-LB (24 N•m) ON ITEM 21.
- ③ APPLY LOCTITE 246 ON ITEM 50.
- ④ APPLY ANTI-SEIZE ON ITEM 33.

FRONT/RIGHT ENGINE ASSY.

<u>NO.</u>	<u>PART NO.</u>	<u>PART NAME</u>	<u>QTY.</u>	<u>REMARKS</u>
1	0166 A	WASHER, LOCK, 3/8 MED.	6	
2	32368	FITTING, 90° 12 MORB, 16 BARB	1	
3	9086	SCREW, HFS M8-1.25 X 45	4	
4	10855	CLAMP, 1-1/2 MUFFLER	1	
5	11887	FITTING, STR. 6MJ-4MO	1	
6	15226	SCREW, HFS, M8-1.25 X 25	4	
7	15538	CLAMP, HOSE WORM #6	4	
8	16336	FITTING, 45° 10MJ-10MO	1	
9	21996	SPACER, 1.00 OD X .328 ID X .438 THK	1	
10	23802	NUT, HEX FLANGED M8-1.25	16	
11	42315	TIE, CABLE ASSY., FIR TREE MT./CABLE	2	
12	42325	SCREW, HHC, M6-1.0 X 20	5	
13	42343	SCREW, HFS M8-1.25 X 20 GR 8.8	10	
14	42352	NUT, HEX, M6-1.0	2	
15	42353	NUT, HEX, M10-1.5	4	
16	42354	SCREW, HFS M6-1.0 X 35 GR 8.8	2	
17	42436	SCREW, HFS M8-1.25 X 25 GR 8.8	2	
18	42542	SCREW, HFS M6-1.0 X 16	3	
19	42888	SCREW, HHC M10-1.50 X 75MM GR10.9	2	APPLY LOCTITE 246
20	42941	FITTING, STR. 8MORFS X 10MOR	2	
21	43120	PRESSURE TRANSDUCER	1	
22	43645	SCREW, PHP M4-0.7 X 35MM	3	
23	43886	CLAMP, T-BOLT 1-1/4" TO 1-1/2"	1	
24	45465-SK	PUMP, POCLAIN, 18 CC	1	
25	45882	SCREW, HFS M10-1.5 X 55	4	
26	45951	ISOLATOR, 90 LB	4	
27	48197	ENGINE, HONDA IGX800 1.125"	1	
30	48525	SNUB WASHER, 2" OD X .45" ID	4	
31	48562	ENGINE MOUNT	1	
32	48563	ADAPTOR, ENGINE/PUMP	1	
33	48564	COUPLING, 9T	1	APPLY ANTI-SEIZE
34	48565	COUPLING, 1.125	1	
35	48566	COUPLING, SPIDER	1	
36	48567	EXHAUST HS MOUNT	1	
38	48618	SUPPORT, PUMP	1	
39	52240	HEAT SHIELD, FRONT	1	
40	48621	FRONT/RIGHT EXHAUST MANIFOLD	1	

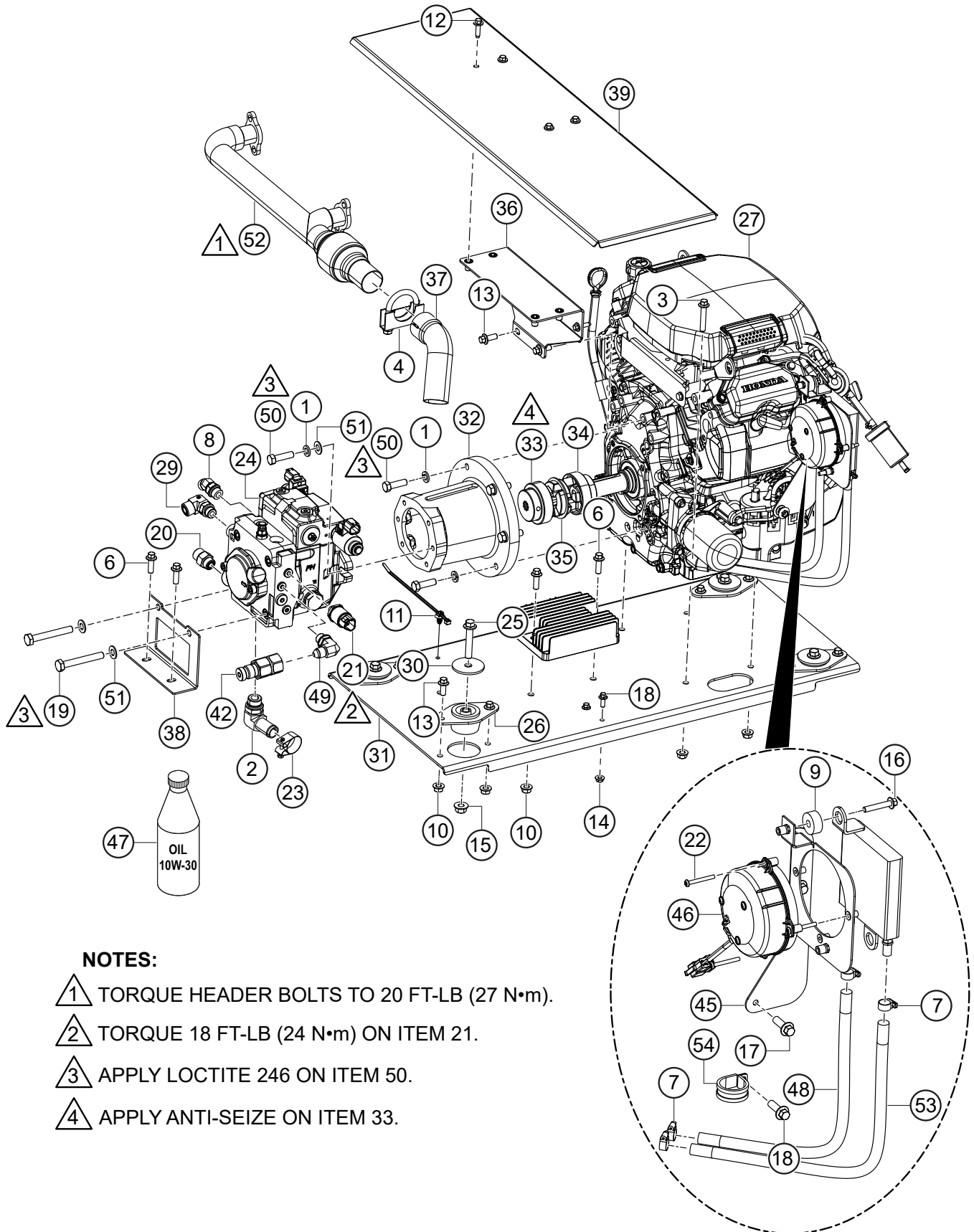
FRONT/RIGHT ENGINE ASSY. (CONT'D.)



FRONT/RIGHT ENGINE ASSY. (CONT'D.)

<u>NO.</u>	<u>PART NO.</u>	<u>PART NAME</u>	<u>QTY.</u>	<u>REMARKS</u>
41	48623	EXHAUST PIPE-LONG	1	
45	48768	BRACKET ASSEMBLY, OIL COOLER	1	
46	48774	FAN ASSEMBLY, 4" PULLER	1	
47	60128	OIL, 10W-30, DELO 400 LE (0.35 GAL.)	1	
48	60170	HOSE, OIL 3/8" ID, SAE 1532 X (14 IN.)	1	
50	915107	SCREW, HHC 3/8-16 X 1-1/4 GR8.....	6.....	APPLY LOCTITE 246
51	933242	WASHER, FLAT 3/8 GR 9 YZ	4	
53	60170	HOSE, OIL 3/8" ID, SAE 1532 X (16 IN.)	1	
54	30017	LOOP CLAMP, CUSHIONED, 1-1/4	1	

REAR/LEFT ENGINE ASSY.



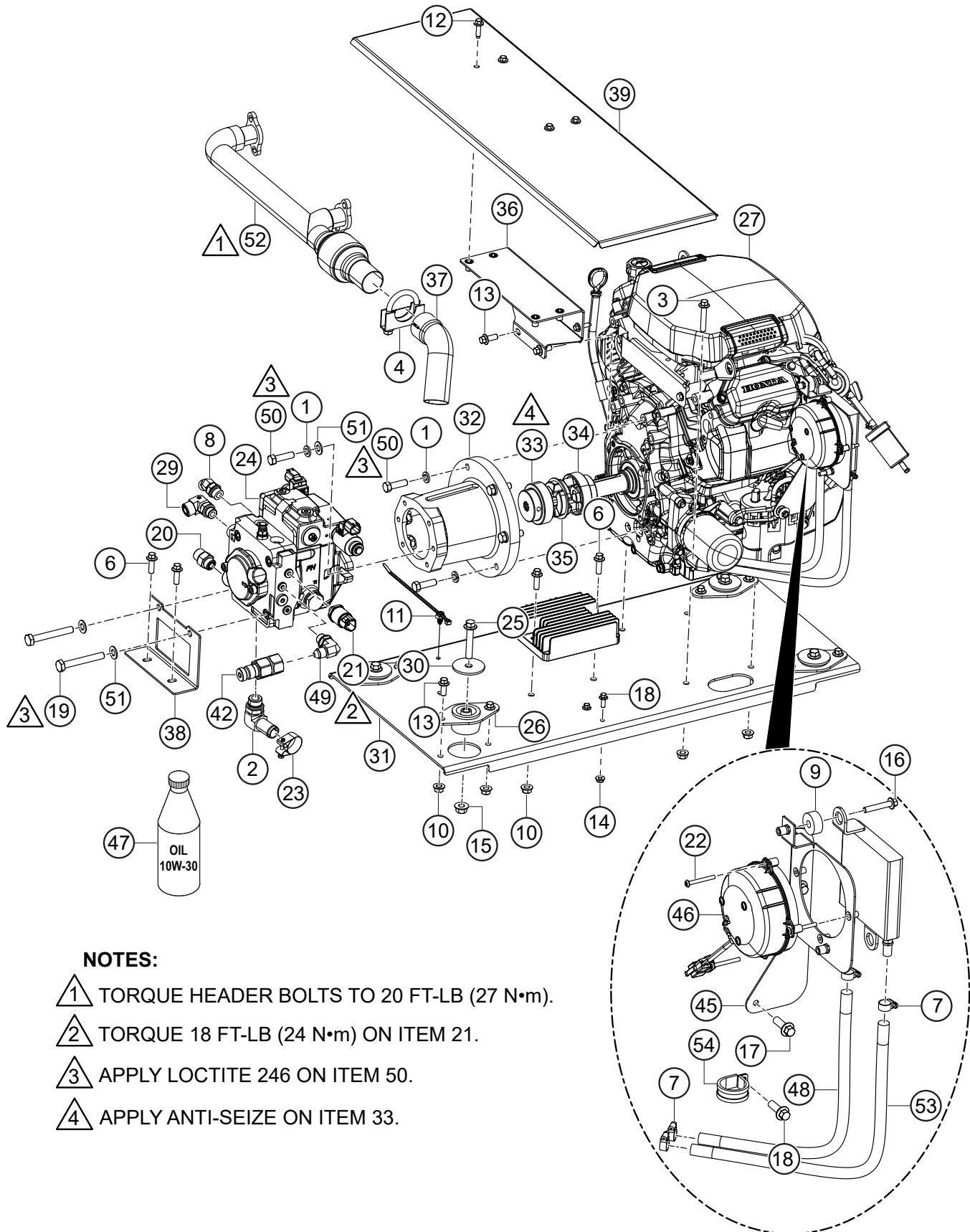
NOTES:

- ① TORQUE HEADER BOLTS TO 20 FT-LB (27 N•m).
- ② TORQUE 18 FT-LB (24 N•m) ON ITEM 21.
- ③ APPLY LOCTITE 246 ON ITEM 50.
- ④ APPLY ANTI-SEIZE ON ITEM 33.

REAR/LEFT ENGINE ASSY.

<u>NO.</u>	<u>PART NO.</u>	<u>PART NAME</u>	<u>QTY.</u>	<u>REMARKS</u>
1	0166 A	WASHER, LOCK, 3/8 MED.	6	
2	32368	FITTING, 90° 12 MORB, 16 BARB	1	
3	9086	SCREW, HFS M8-1.25 X 45	4	
4	10855	CLAMP, 1-1/2 MUFFLER	1	
6	15226	SCREW, HFS, M8-1.25 X 25	4	
7	15538	CLAMP, HOSE WORM #6	4	
8	16336	FITTING, 45 10MJ-10MO	1	
9	21996	SPACER, 1.00 OD X .328 ID X .438 THK	1	
10	23802	NUT, HEX FLANGED M8-1.25	16	
11	42315	TIE, CABLE ASSY., FIR TREE MT./CABLE	2	
12	42325	SCREW, HHC, M6-1.0 X 20	5	
13	42343	SCREW, HFS M8-1.25 X 20 GR 8.8	10	
14	42352	NUT, HEX, M6-1.0	2	
15	42353	NUT, HEX, M10-1.5	4	
16	42354	SCREW, HFS M6-1.0 X 35 GR 8.8	2	
17	42436	SCREW, HFS M8-1.25 X 25 GR 8.8	2	
18	42542	SCREW, HFS M6-1.0 X 16	3	
19	42888	SCREW, HHC M10-1.50 X 75MM GR10.9	2	APPLY LOCTITE 246
20	42941	FITTING, STR. 8MORFS X 10MOR	2	
21	43120	PRESSURE TRANSDUCER	1	
22	43645	SCREW, PHP M4-0.7 X 35MM	3	
23	43886	CLAMP, T-BOLT 1-1/4" TO 1-1/2"	1	
24	45465-SK	PUMP, POCLAIN, 18 CC	1	
25	45882	SCREW, HFS M10-1.5 X 55	4	
26	45951	ISOLATOR, 90 LB	4	
27	48197	ENGINE, HONDA IGX800 1.125"	1	
29	48512	FITTING, 90 8MORB X 10MORF	0	
30	48525	SNUB WASHER, 2" OD X .45" ID	4	
31	48562	ENGINE MOUNT	1	
32	48563	ADAPTOR, ENGINE/PUMP	1	
33	48564	COUPLING, 9T	1	APPLY ANTI-SEIZE
34	48565	COUPLING, 1.125	1	
35	48566	COUPLING, SPIDER	1	
36	48567	EXHAUST HS MOUNT	1	
37	48569	EXHAUST PIPE - SHORT	1	
38	48618	SUPPORT, PUMP	1	
39	48620	HEAT SHIELD	1	
42	48708	TEST PORT, HYDRAULIC	1	

REAR/LEFT ENGINE ASSY. (CONT'D.)



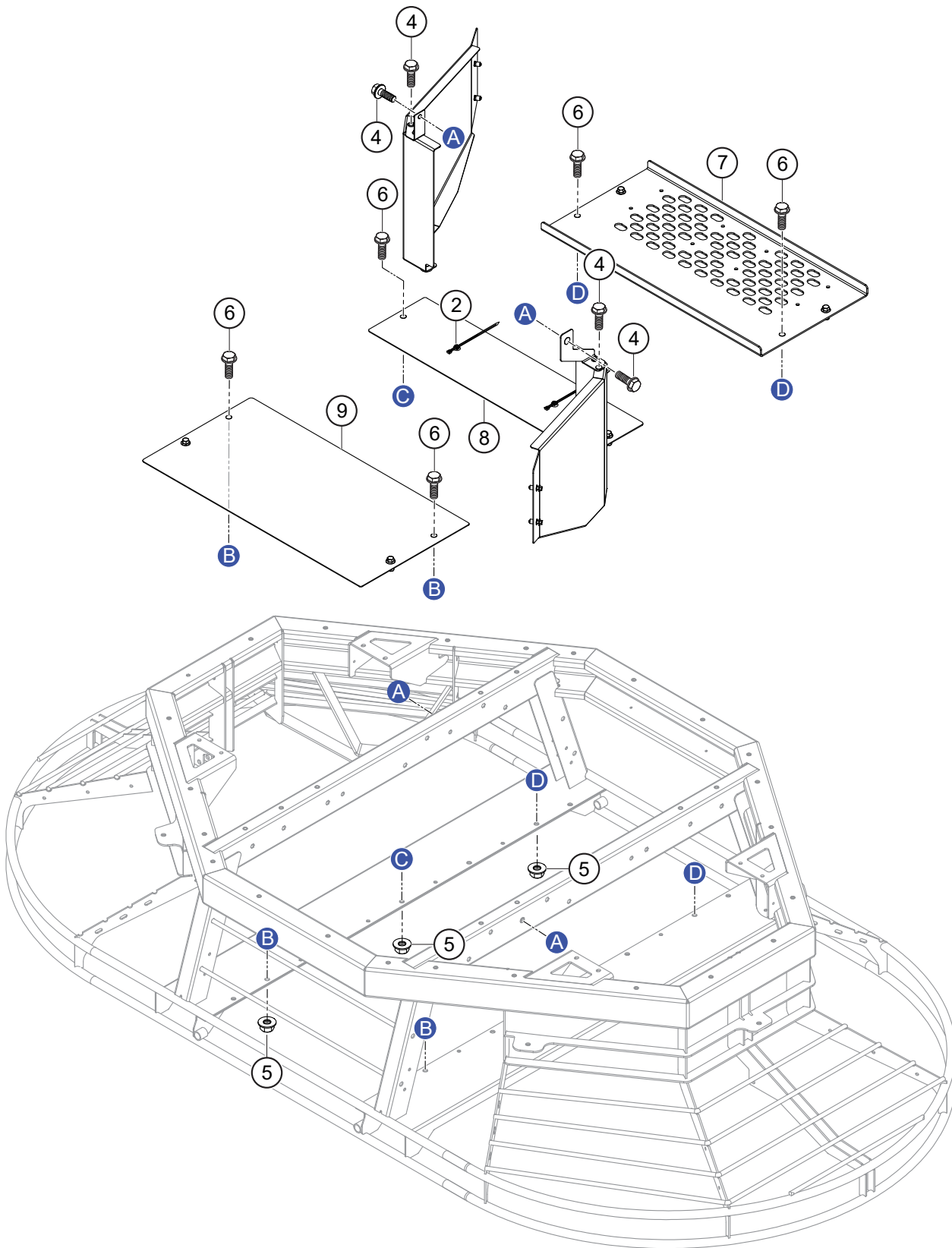
NOTES:

- ① TORQUE HEADER BOLTS TO 20 FT-LB (27 N•m).
- ② TORQUE 18 FT-LB (24 N•m) ON ITEM 21.
- ③ APPLY LOCTITE 246 ON ITEM 50.
- ④ APPLY ANTI-SEIZE ON ITEM 33.

REAR/LEFT ENGINE ASSY. (CONT'D.)

<u>NO.</u>	<u>PART NO.</u>	<u>PART NAME</u>	<u>QTY.</u>	<u>REMARKS</u>
45	48768	BRACKET ASSEMBLY, OIL COOLER	1	
46	48774	FAN ASSEMBLY, 4" PULLER	1	
47	60128	OIL, 10W-30, DELO 400 LE (0.35 GAL.)	1	
48	60170	HOSE, OIL 3/8" ID, SAE 1532 X (14 IN.)	1	
49	368817	FITTING, 90 4MJ-4MO	1	
50	915107	SCREW, HHC 3/8-16 X 1-1/4 GR8.....	6.....	APPLY LOCTITE 246
51	933242	WASHER, FLAT 3/8 GR 9 YZ	4	
52	48622	REAR/LEFT EXHAUST MANIFOLD	1	
53	60170	HOSE, OIL 3/8" ID, SAE 1532 X (16 IN.)	1	
54	30017	LOOP CLAMP, CUSHIONED, 1-1/4	1	

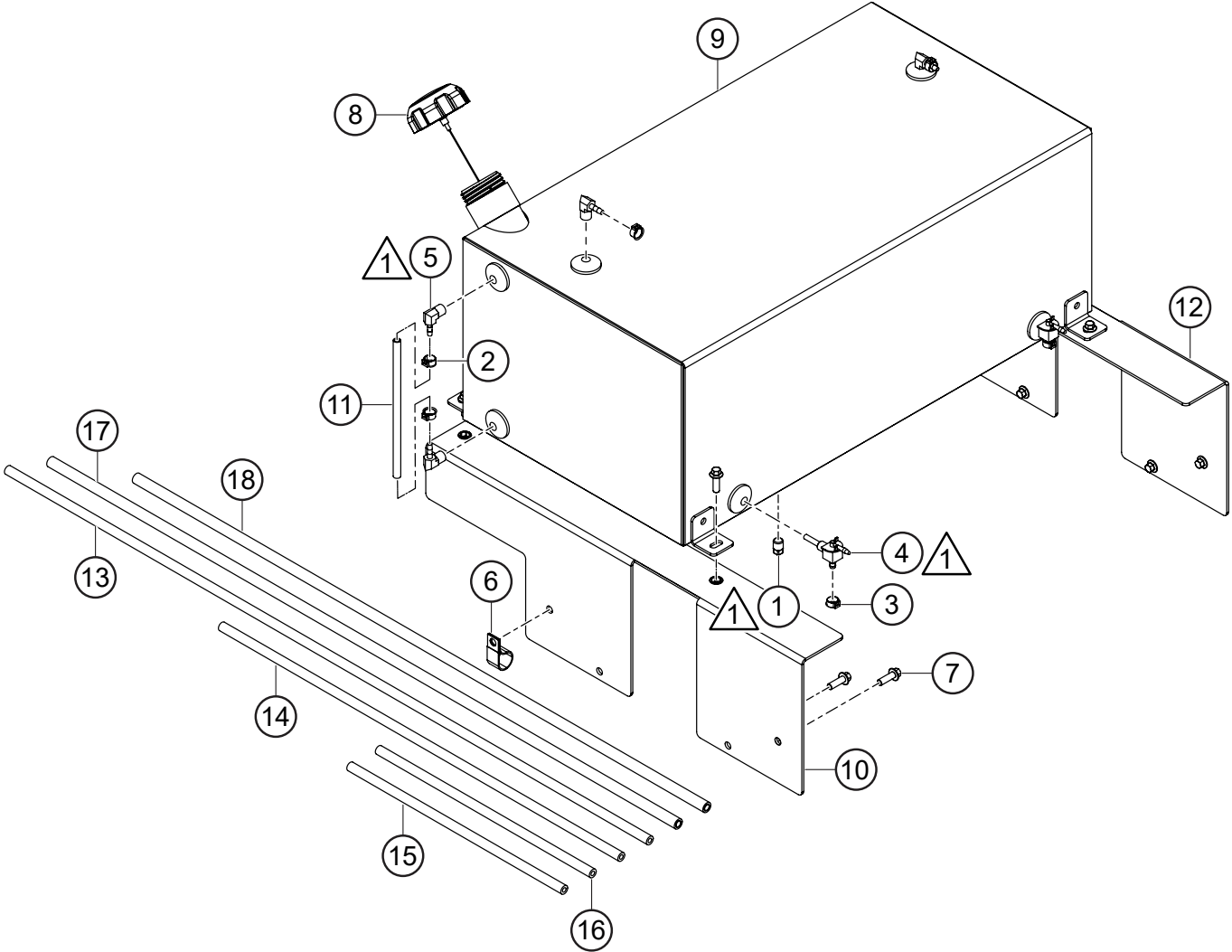
BELLY PAN ASSY.



BELLY PAN ASSY.

<u>NO.</u>	<u>PART NO.</u>	<u>PART NAME</u>	<u>QTY.</u>	<u>REMARKS</u>
1	21597	BUMPER, STEM 1.0" D X 0.5S X 0.31	2	
2	42315	TIE, CABLE ASSY.	2	
3	42325	SCREW, HHC, M6-1.0 X 20, CAP. WASHER	8	
4	42342	SCREW, HFS, M8-1.25 X 16 GR 8.8	2	
5	42353	NUT, HEX, SERRATED-FLANGE, M10-1.5	10	
6	45632	SCREW, HFS M10-1.5 X 20 CLASS 8.8	10	
7	48616	BELLY PAN, REAR	1	
8	48617	BELLY PAN, CENTER	1	
9	48629	BELLY PAN, FRONT	1	
10	48630	ENGINE BAFFLE ASSY.	2	
11	48635	BAFFLE BRACKET ASSY., RIGHT FRONT	1	
12	48636	BAFFLE BRACKET ASSY., LEFT REAR	1	

FUEL TANK ASSY.



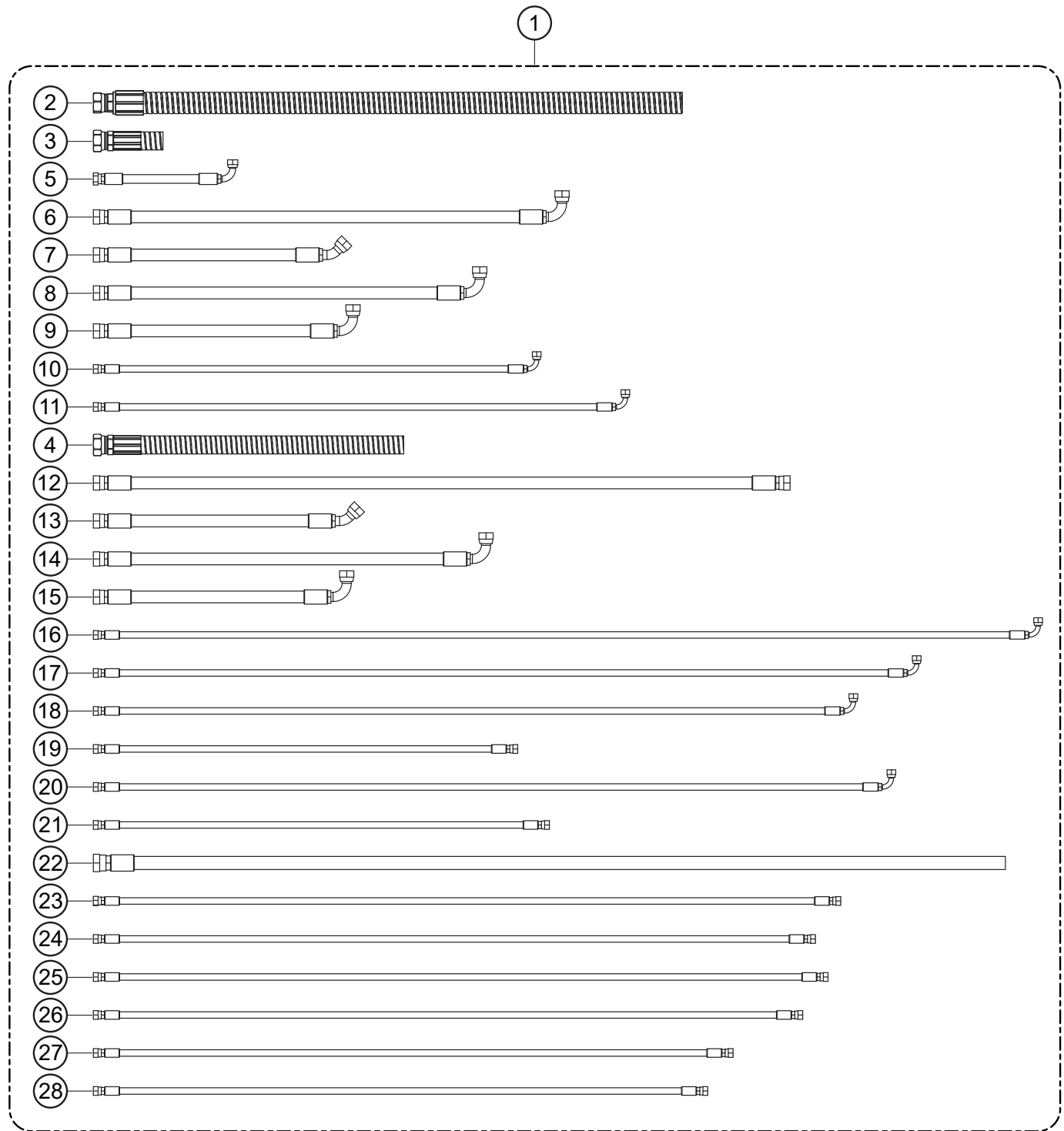
NOTES:

△ 1 APPLY VIBRA-TITE 440 ON ITEMS 1, 4, 5.

FUEL TANK ASSY.

<u>NO.</u>	<u>PART NO.</u>	<u>PART NAME</u>	<u>QTY.</u>	<u>REMARKS</u>
1	16185	FITTING, PLUG 1/4MP SQ. HD.	1.....	APPLY VIBRA-TITE 440
2	22066	CLAMP, STEPLESS EAR 3/16 HOSE #123	2	
3	22067	CLAMP, STEPLESS EAR 1/4" HOSE #138	4	
4	22081	SHUTOFF VALVE, 1/4 NPT, 1/4 HOSE	2.....	APPLY VIBRA-TITE 440
5	22082	FITTING, 90° 4BARB-1/4 MP.....	4.....	APPLY VIBRA-TITE 440
6	25647	CLAMP, HOSE 3/4 LOOP X .406 HOLE	1	
7	42436	SCREW, HFS M8-1.25 X 25 GR 8.8	12	
8	42446	CAP, FUEL TANK	1	
9	48625	FUEL TANK	1	
10	48626	FUEL TANK SUPPORT, RIGHT-HAND	1	
11	48645	FUEL LINE, CLEAR, TYGON .25 (9.6"/0.8')	1	
12	48726	FUEL TANK SUPPORT, LEFT-HAND	1	
13	60013	HOSE, FUEL 50 PSI (45"/3.75')	1	
14	60013	HOSE, FUEL 50 PSI (27.96"/2.33')	1	
15	60013	HOSE, FUEL 50 PSI (15"/1.25')	1	
16	60013	HOSE, FUEL 50 PSI (15"/1.25')	1	
17	60028	HOSE, FUEL 50 PSI (44.04"/3.67')	1	
18	60028	HOSE, FUEL 50 PSI (39.96"/3.33')	1	

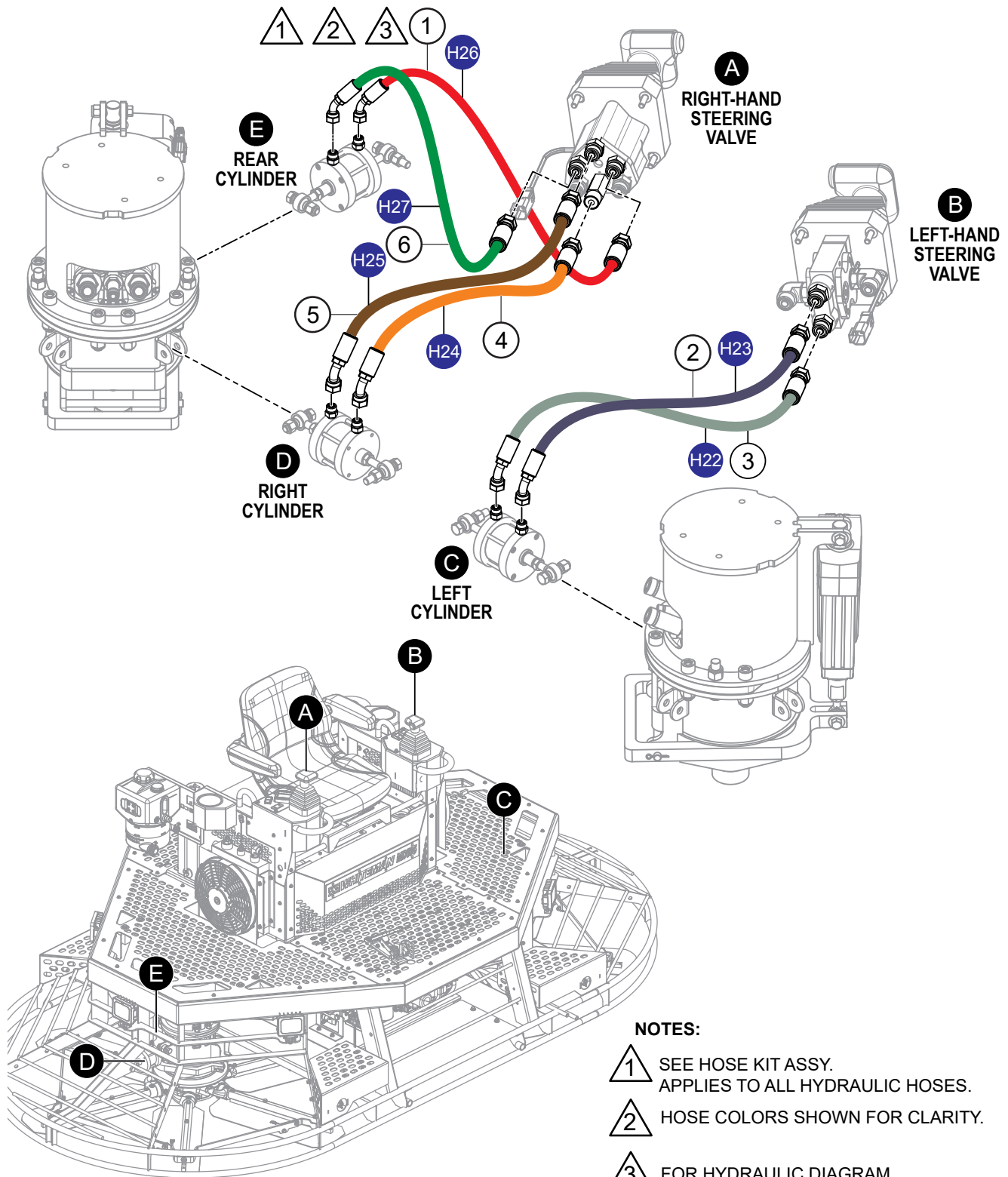
HYDRAULIC HOSE KIT ASSY.



HYDRAULIC HOSE KIT ASSY.

<u>NO.</u>	<u>PART NO.</u>	<u>PART NAME</u>	<u>QTY.</u>	<u>REMARKS</u>
1	48705	HOSE KIT ASSEMBLY	1.....	INCLUDES ITEMS W/#
2#	48671	HOSE ASSY., 1.25 X 46.5", -16FJIC X CUT	1.....	HOSE 1
3#	48672	HOSE ASSY., 1.0 X 5.5, -16FJIC X CUT	1.....	HOSE 2
4#	48673	HOSE ASSY., 1.0 X 24.5, -16FJIC X CUT	1.....	HOSE 10
5#	48674	HOSE ASSY., -6 X 11, -6FJIC90X-6FJICSTR	1.....	HOSE 3
6#	48675	HOSE ASSY., -10 X 37, -10FJICSTRX-10FJIC90	1.....	HOSE 4
7#	48676	HOSE ASSY., -10 X 20, -10FORFSTRX-10FORF45.....	1.....	HOSE 5
8#	48677	HOSE ASSY., -10 X 30.5, -10FORFSTX-10FORF90	1.....	HOSE 6
9#	48678	HOSE ASSY., -10 X 20.5, -10FORFSTX-10FORF90	1.....	HOSE 7
10#	48679	HOSE ASSY., -4 X 35, -4FJICSTRX-4FJIC90	1.....	HOSE 8
11#	48680	HOSE ASSY., -4 X 42", -4FJICSTRX-4FJIC90	1.....	HOSE 9
12#	48681	HOSE ASSY., -10 X 55, -10FJICSTRX-10FJICSTR.....	1.....	HOSE 11
13#	48682	HOSE ASSY., -10 X 21, -10FORFSTRX-10FORF45.....	1.....	HOSE 12
14#	48683	HOSE ASSY., -10 X 31, -10FORFSTRX-10FORF90.....	1.....	HOSE 13
15#	48684	HOSE ASSY., -10 X 20, -10FORFSTX-10FORF90	1.....	HOSE 14
16#	48685	HOSE ASSY., -4 X 82, -4FJICSTRX-4FJIC90	1.....	HOSE 15
17#	48686	HOSE ASSY., -4 X 65, -4FJICSTRX-4FJIC90	1.....	HOSE 16
18#	48687	HOSE ASSY., -4 X 60, -4FJICSTRX-4FJIC90	1.....	HOSE 17
19#	48688	HOSE ASSY., -4 X 33.5, -4FJICSTRX-4FJICSTR	1.....	HOSE 18
20#	48689	HOSE ASSY., -4 X 63, -4FJICSTRX-4FJIC90	1.....	HOSE 19
21#	48690	HOSE ASSY., -4 X 36, -4FJICSTRX-4FJICSTR	1.....	HOSE 20
22#	48691	HOSE ASSY., -12 X 72, -12FJICSTRXCUT.....	1.....	HOSE 21
23#	48692	HOSE ASSY., -4 X 59, -4FJICSTRX-4FJICSTR	1.....	HOSE 22
24#	48693	HOSE ASSY., -4 X 57, -4FJICSTRX-4FJICSTR	1.....	HOSE 23
25#	48694	HOSE ASSY., -4 X 58, -4FJICSTRX-4FJICSTR	1.....	HOSE 24
26#	48695	HOSE ASSY., -4 X 56, -4FJICSTRX-4FJICSTR.....	1.....	HOSE 25
27#	48696	HOSE ASSY., -4 X 50.5, -4FJICSTRX-4FJICSTR	1.....	HOSE 26
28#	48697	HOSE ASSY., -4 X 48.5, -4FJICSTRX-4FJICSTR	1.....	HOSE 27

HYDRAULIC HOSE ASSY. (STEERING/CYLINDERS)



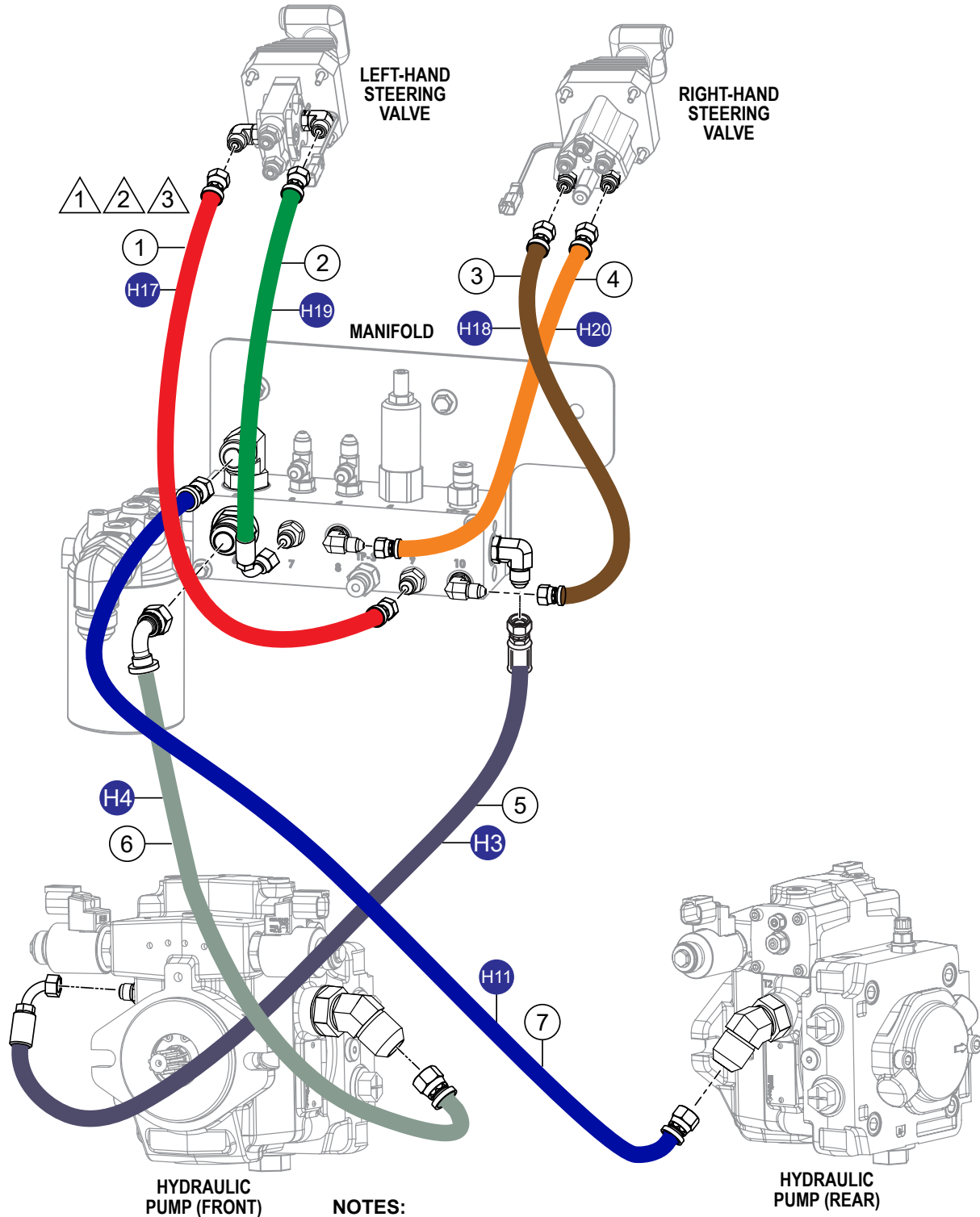
NOTES:

- 1** SEE HOSE KIT ASSY.
APPLIES TO ALL HYDRAULIC HOSES.
- 2** HOSE COLORS SHOWN FOR CLARITY.
- 3** FOR HYDRAULIC DIAGRAM
SEE OPERATION MANUAL.

HYDRAULIC HOSE ASSY. (STEERING/CYLINDERS)

<u>NO.</u>	<u>PART NO.</u>	<u>PART NAME</u>	<u>QTY.</u>	<u>REMARKS</u>
1	48696	HOSE ASSY., -4 X 50.5, -4FJICSTRX-4FJICSTR	1.....	HOSE 26
2	48693	HOSE ASSY., -4 X 57, -4FJICSTRX-4FJICSTR	1.....	HOSE 23
3	48692	HOSE ASSY., -4 X 59, -4FJICSTRX-4FJICSTR	1.....	HOSE 22
4	48694	HOSE ASSY., -4 X 58, -4FJICSTRX-4FJICSTR	1.....	HOSE 24
5	48695	HOSE ASSY., -4 X 56, -4FJICSTRX-4FJICSTR	1.....	HOSE 25
6	48697	HOSE ASSY., -4 X 48.5, -4FJICSTRX-4FJICSTR	1.....	HOSE 27

HYD. HOSE ASSY. (STEERING/MANIFOLD/PUMPS)



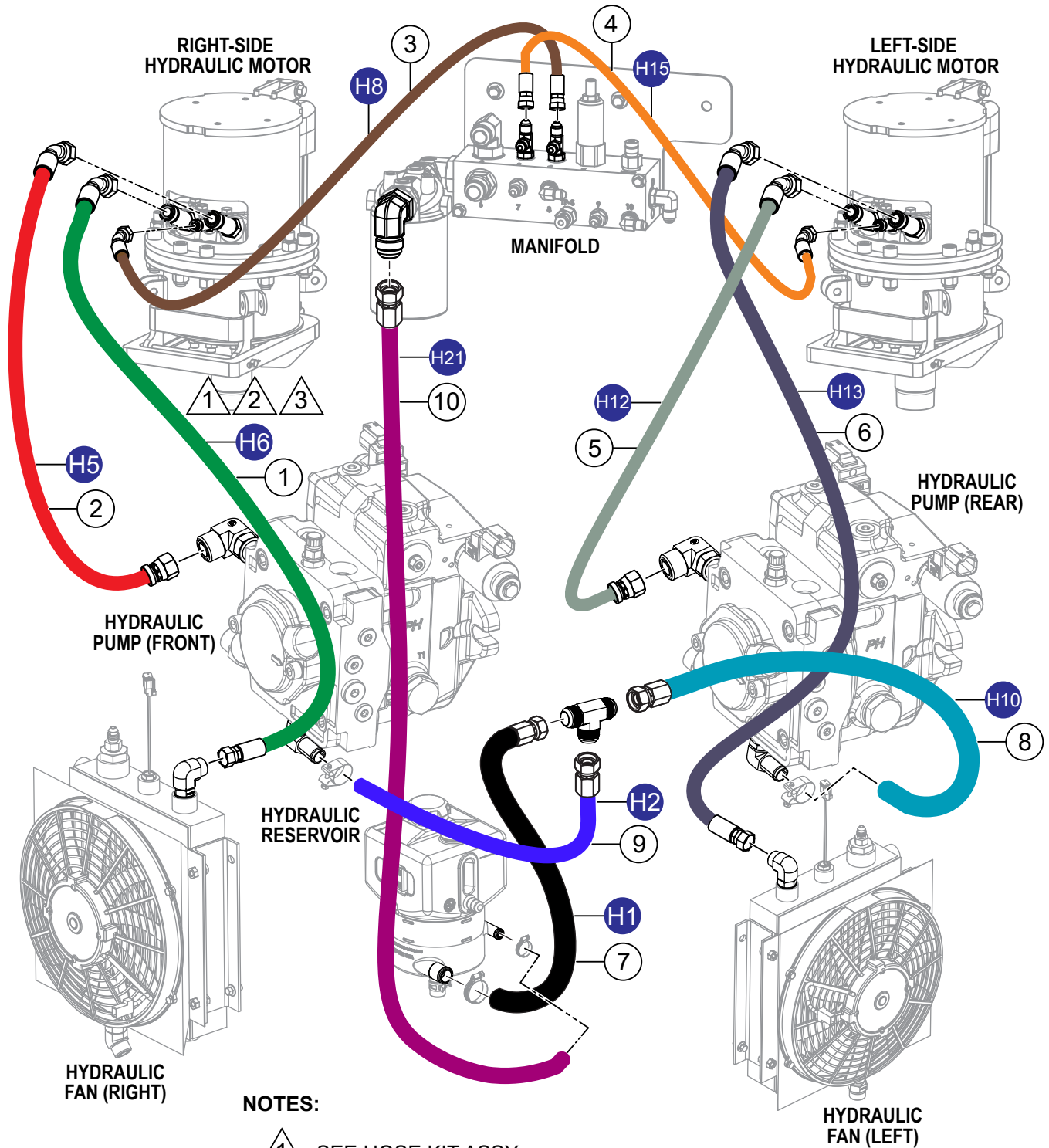
NOTES:

- 1 SEE HOSE KIT ASSY. APPLIES TO ALL HYDRAULIC HOSES.
- 2 HOSE COLORS SHOWN FOR CLARITY ONLY.
- 3 FOR HYDRAULIC DIAGRAM SEE OPERATION MANUAL.

HYD. HOSE ASSY. (STEERING/MANIFOLD/PUMPS)

<u>NO.</u>	<u>PART NO.</u>	<u>PART NAME</u>	<u>QTY.</u>	<u>REMARKS</u>
1	48687	HOSE ASSY., -4 X 60, -4FJICSTRX-4FJIC90	1.....	HOSE 17
2	48689	HOSE ASSY., -4 X 63, -4FJICSTRX-4FJIC90	1.....	HOSE 19
3	48688	HOSE ASSY., -4 X 33.5, -4FJICSTRX-4FJICSTR	1.....	HOSE 18
4	48690	HOSE ASSY., -4 X 36, -4FJICSTRX-4JICSTR	1.....	HOSE 20
5	48674	HOSE ASSY., -6 X 11, -6FJIC90X-6FJICSTR	1.....	HOSE 3
6	48675	HOSE ASSY., -10 X 37, -10FJICSTRX-10FJIC90	1.....	HOSE 4
7	48681	HOSE ASSY., -10 X 55, -10FJICSTRX-10FJICSTR.....	1.....	HOSE 11

HYDRAULIC HOSE ASSY. (PUMPS/FANS/MOTORS)



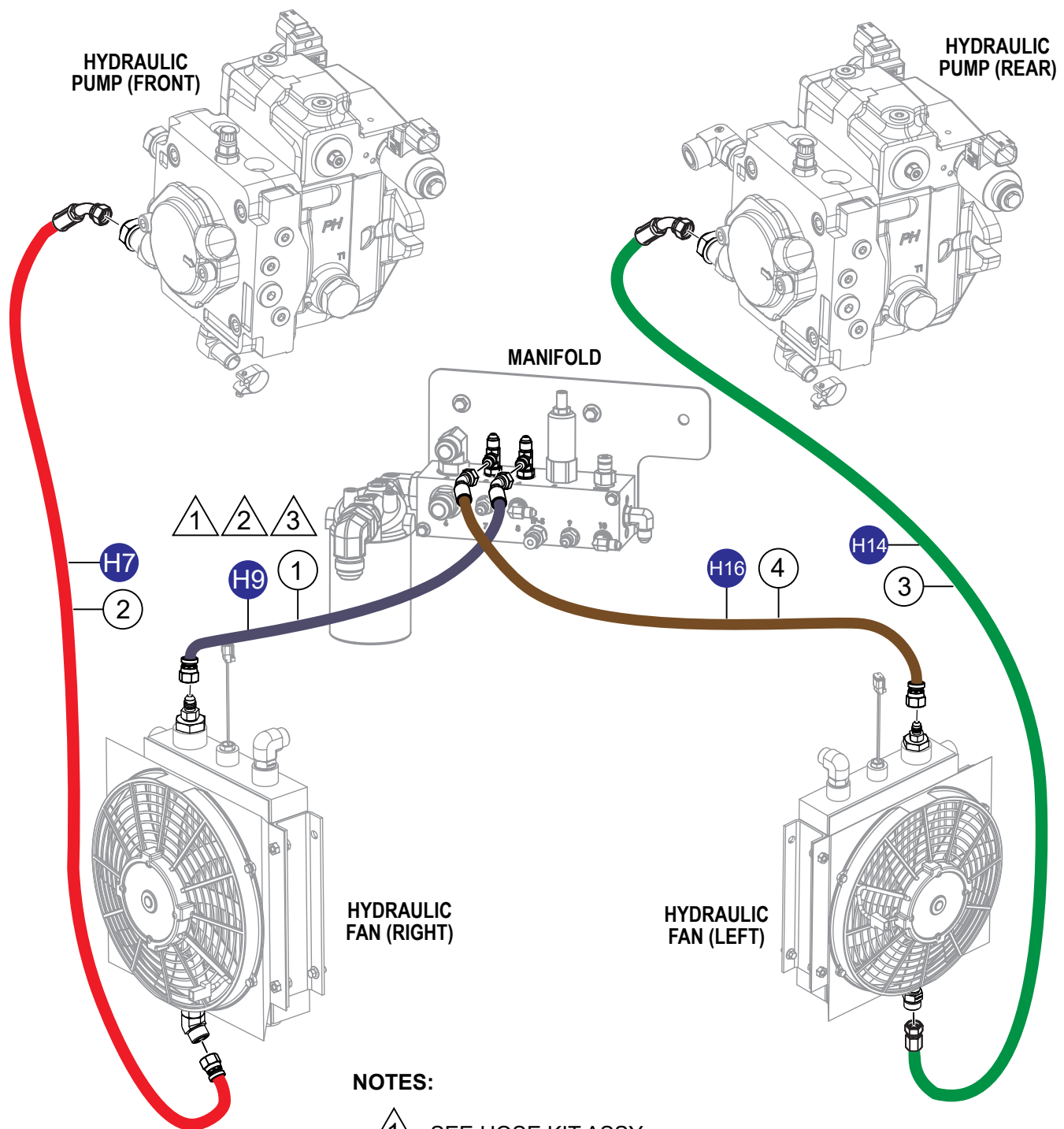
NOTES:

- ① SEE HOSE KIT ASSY. APPLIES TO ALL HYDRAULIC HOSES.
- ② HOSE COLORS SHOWN FOR CLARITY ONLY.
- ③ FOR HYDRAULIC DIAGRAM SEE OPERATION MANUAL.

HYDRAULIC HOSE ASSY. (PUMPS/FANS/MOTORS)

<u>NO.</u>	<u>PART NO.</u>	<u>PART NAME</u>	<u>QTY.</u>	<u>REMARKS</u>
1	48677	HOSE ASSY., -10 X 30.5, -10FORFSTX-10FORF90	1.....	HOSE 6
2	48676	HOSE ASSY., -10 X 20, -10FORFSTRX-10FORF45.....	1.....	HOSE 5
3	48679	HOSE ASSY., -4 X 35, -4FJICSTRX-4FJIC90	1.....	HOSE 8
4	48685	HOSE ASSY., -4 X 82, -4FJICSTRX-4FJIC90	1.....	HOSE 15
5	48682	HOSE ASSY., -10 X 21, -10FORFSTRX-10FORF45.....	1.....	HOSE 12
6	48683	HOSE ASSY., -10 X 31, -10FORFSTRX-10FORF90.....	1.....	HOSE 13
7	48671	HOSE ASSY., 1.25 X 46.5", -16FJIC X CUT.....	1.....	HOSE 1
8	48673	HOSE ASSY., 1.0 X 24.5, -16FJIC X CUT	1.....	HOSE 10
9	48672	HOSE ASSY., 1.0 X 5.5, -16FJIC X CUT	1.....	HOSE 2
10	48691	HOSE ASSY., -12 X 72, -12FJICSTRXCUT.....	1.....	HOSE 21

HYDRAULIC HOSE ASSY. (MANIFOLD/PUMPS/FANS)



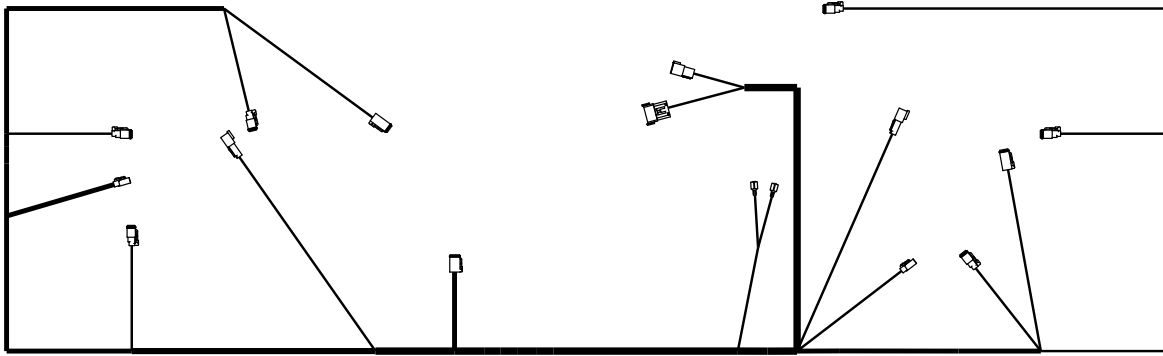
NOTES:

- △ 1 SEE HOSE KIT ASSY.
APPLIES TO ALL HYDRAULIC HOSES.
- △ 2 HOSE COLORS SHOWN FOR CLARITY ONLY.
- △ 3 FOR HYDRAULIC DIAGRAM
SEE OPERATION MANUAL.

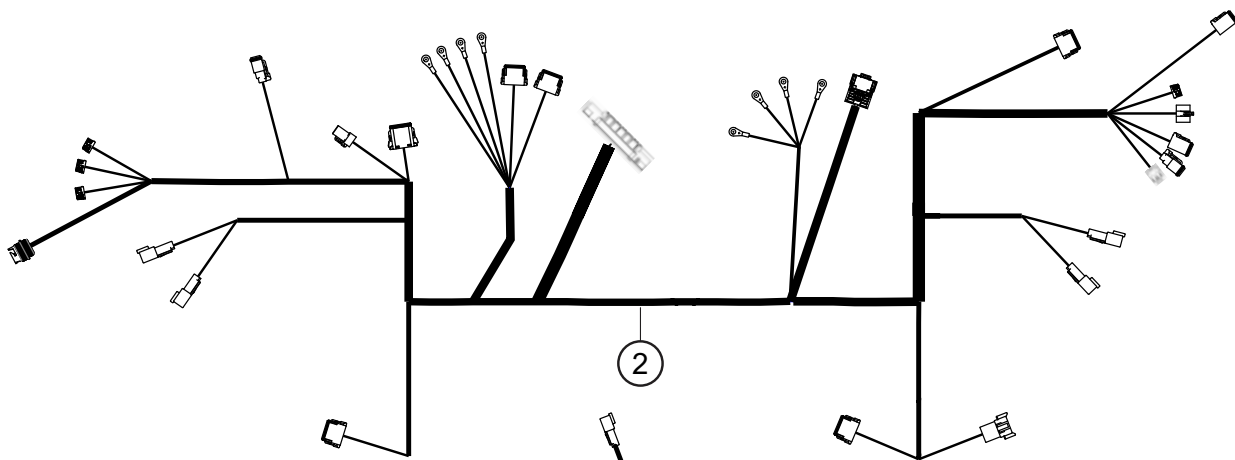
HYDRAULIC HOSE ASSY. (MANIFOLD/PUMPS/FANS)

<u>NO.</u>	<u>PART NO.</u>	<u>PART NAME</u>	<u>QTY.</u>	<u>REMARKS</u>
1	48680	HOSE ASSY., -4 X 42", -4FJICSTRX-4FJIC90	1.....	HOSE 9
2	48678	HOSE ASSY., -10 X 20.5, -10FORFSTX-10FORF90	1.....	HOSE 7
3	48684	HOSE ASSY., -10 X 20, -10FORFSTX-10FORF90	1.....	HOSE 14
4	48686	HOSE ASSY., -4 X 65, -4FJICSTRX-4FJIC90	1.....	HOSE 16

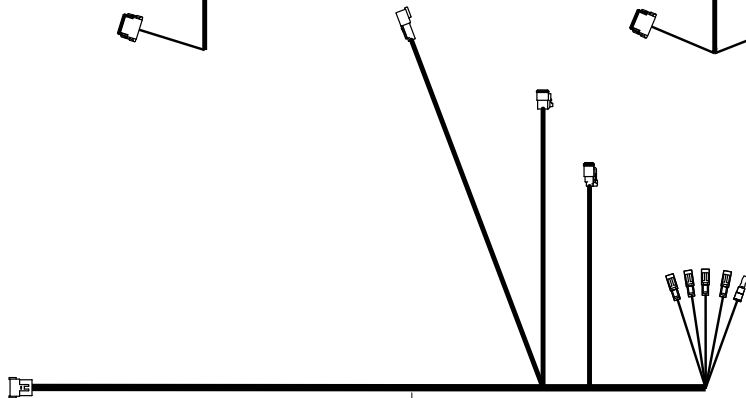
HARNESS ASSY.



1



2



3



4

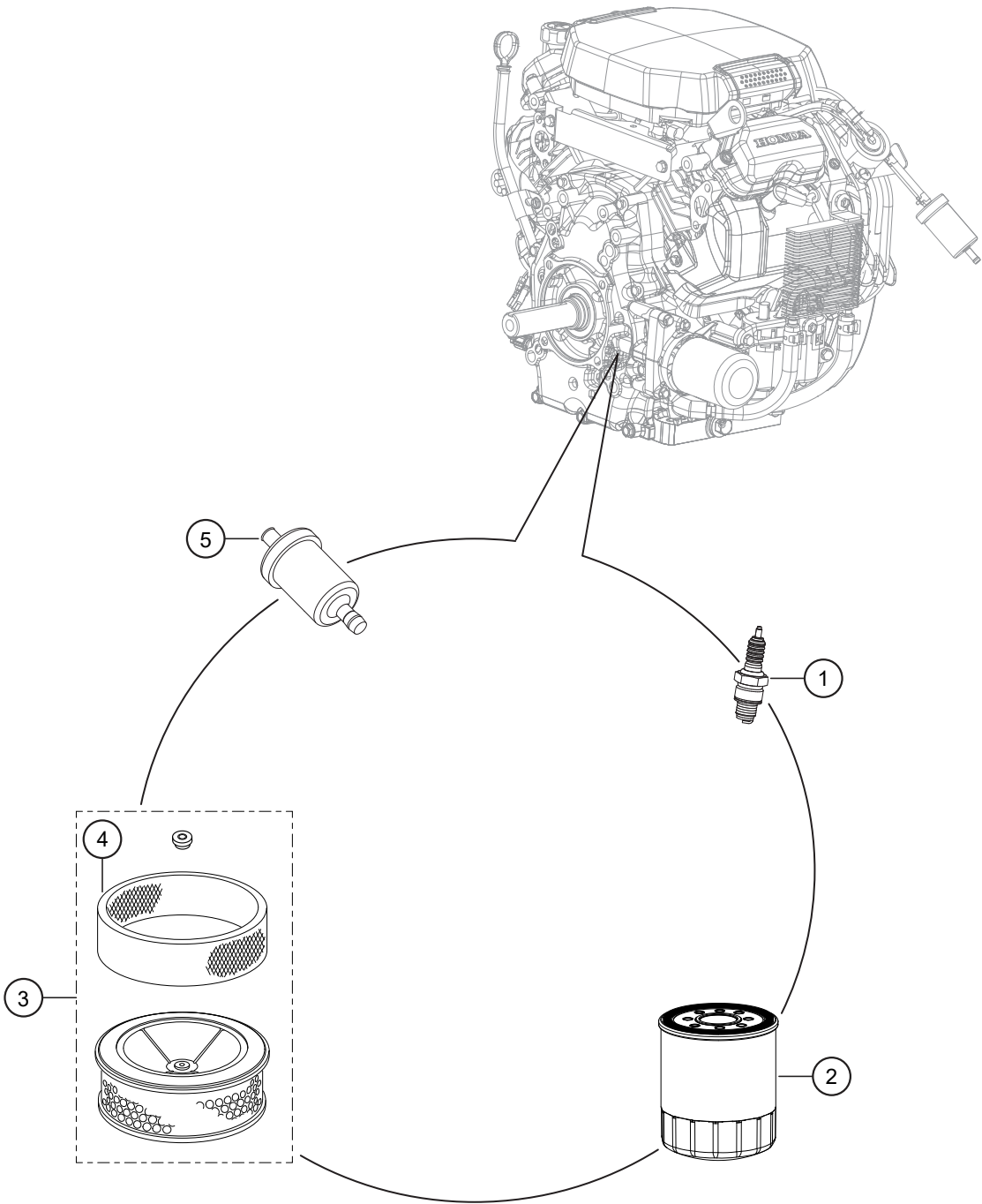


5

HARNESS ASSY.

<u>NO.</u>	<u>PART NO.</u>	<u>PART NAME</u>	<u>QTY.</u>	<u>REMARKS</u>
1	48402	HARNESS, FRAME ASSY.	1	
2	48401	HARNESS, MAIN ASSY.	1	
3	48403	HARNESS, ENGINE ASSY.	1	
4	48405	HARNESS, SEAT SWITCH	1	
5	48407	HARNESS, TELEMATICS CAP	1	

ENGINE SERVICE PARTS



ENGINE SERVICE PARTS

<u>NO.</u>	<u>PART NO.</u>	<u>PART NAME</u>	<u>QTY.</u>	<u>REMARKS</u>
1	9807955846	PLUG, SPARK	2	
2	15400RTA003	FILTER, OIL	2	
3	17210Z6L010	ELEMENT, AIR CLEANER.....	2.....	INCLUDES ITEMS W/#
4#	17218Z6L0001	FILTER, (OUTER) AIR	2	
5	16910ZDW003	FILTER, FUEL	2	

PARTS MANUAL

HERE'S HOW TO GET HELP

PLEASE HAVE THE MODEL AND SERIAL
NUMBER ON-HAND WHEN CALLING

UNITED STATES

Multiquip Inc.

(310) 537- 3700
6141 Katella Avenue Suite 200
Cypress, CA 90630
E-MAIL: mq@multiquip.com
WEBSITE: www.multiquip.com

CANADA

Multiquip

(450) 625-2244
4110 Industriel Boul.
Laval, Quebec, Canada H7L 6V3
E-MAIL: infocanada@multiquip.com

UNITED KINGDOM

Multiquip (UK) Limited Head Office

0161 339 2223
Unit 2, Northpoint Industrial Estate, Globe Lane,
Dukinfield, Cheshire SK16 4UJ
E-MAIL: sales@multiquip.co.uk

© COPYRIGHT 2026, MULTIQUIP INC.

Multiquip Inc. and the MQ logo are registered trademarks of Multiquip Inc. and may not be used, reproduced, or altered without written permission. All other trademarks are the property of their respective owners and used with permission.

This manual MUST accompany the equipment at all times. This manual is considered a permanent part of the equipment and should remain with the unit if resold.

DISCLAIMER: Product features, descriptions, and specifications are based on published information at the time of publication and are subject to change at any time without notice. Multiquip Inc. and its affiliates reserve the right to change specifications, features, design, and descriptions of products at any time without notice.



PN: 45836