



SPARE PARTS MANUAL

POWERVIBE HIGH FREQUENCY CONCRETE VIBRATOR
(FPV-45 & FPV60)

201001



Applies to product after Serial Number F01-10000

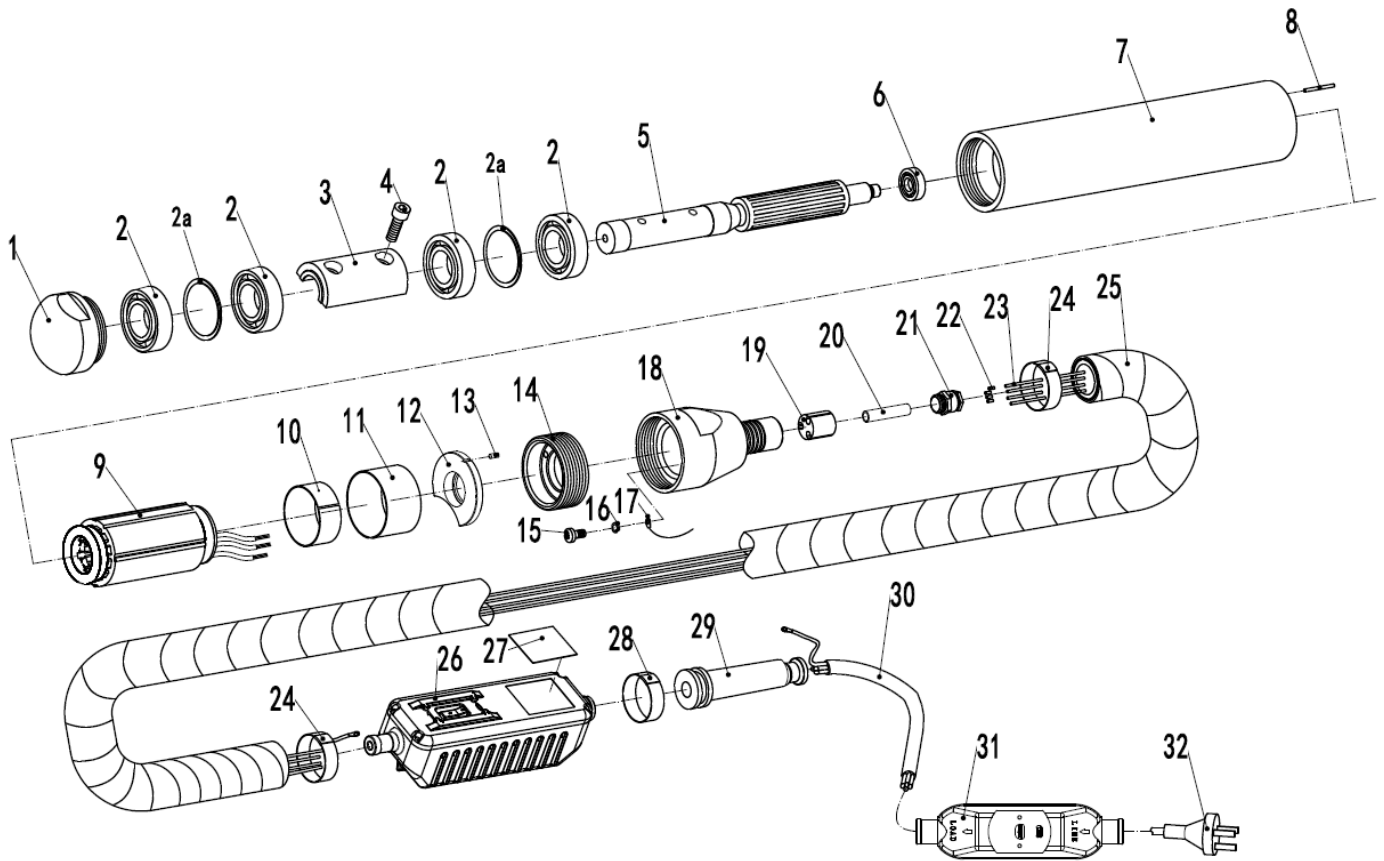
1300 353 986

www.flextool.com.au



Flextool[®]

SINCE 1951



Flextool PowerVibe (All Models)

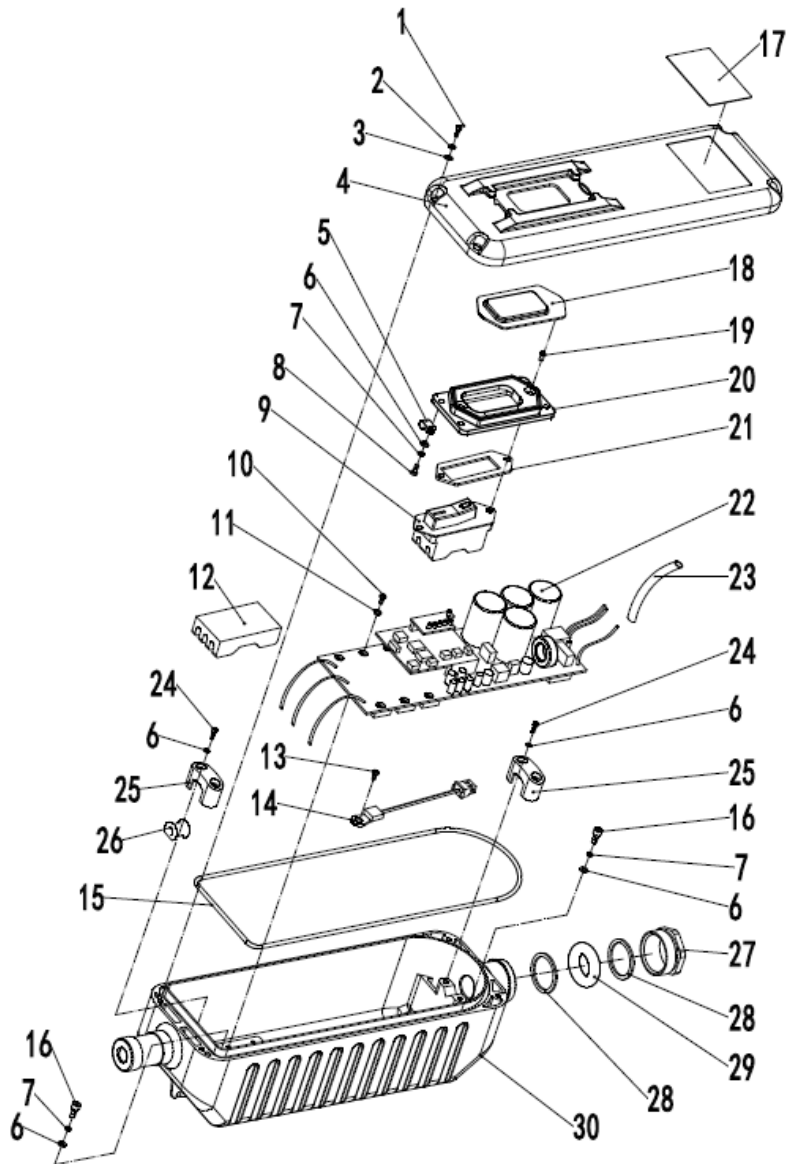
Item No.	Product Code	Description	Qty	Remarks
1	See Remarks	FLX NOSE CAP STEEL FPV45 (251001)	1	Use AS-1
	See Remarks	FLX NOSE CAP STEEL FPV60 (253001)	1	Use AS-2
2	See Remarks	FLX BEARING 6202-2Z/C3 FPV45 (550507)	2	Use AS-1
	See Remarks	FLX BEARING 6204-2Z/C3 FPV60 (550501)	4	Use AS-2
2A	See Remarks	FLX WASHER FPV60 (253001)	2	Use AS-2 (FPV60 Only)
3	See Remarks	FLX ECCENTRIC WEIGHT FPV45 (251002)	1	Use AS-1
	See Remarks	FLX ECCENTRIC WEIGHT FPV60 (253002)	1	Use AS-2
4	See Remarks	FLX BOLT M6 X 16MM FPV45 (630425)	2	Use AS-1
	See Remarks	FLX BOLT M8 X 20MM FPV60 (630422)	2	Use AS-2
5	See Remarks	FLX ROTATOR FPV45 (251100)	1	Use AS-1
	See Remarks	FLX ROTATOR FPV60 (253100)	1	Use AS-2
6	See Remarks	FLX BEARING 609-ZE/C3 FPV45 (550531)	1	Use AS-1
	See Remarks	FLX BEARING 6000-ZE/C3 FPV60 (550506)	1	Use AS-2
7	See Remarks	FLX BARREL FPV45 (251003)	1	Use AS-1
	See Remarks	FLX BARREL FPV60 (253003)	1	Use AS-2
8	See Remarks	FLX POSITION PIN (714002)	1	Use AS-1 or AS-2
9	See Remarks	FLX STATOR FPV45 (251210)	1	Use AS-1
	See Remarks	FLX STATOR FPV60 (253210)	1	Use AS-2
10	See Remarks	FLX INSULATION (255106)	1	Use AS-1 or AS-2
11	See Remarks	FLX SPACER FPV45 (251005)	1	Use AS-1
	See Remarks	FLX SPACER FPV60 (253005)	1	Use AS-2
12	See Remarks	FLX BEARING HOLDER FPV45 (251006)	1	Use AS-1
	See Remarks	FLX BEARING HOLDER FPV60 (253006)	1	Use AS-2
13	See Remarks	FLX PIN (252007)	1	Use AS-1 or AS-2
14	See Remarks	FLX THREADED ADAPTOR FPV45 (251008)	1	Use AS-1
	See Remarks	FLX THREADED ADAPTOR FPV60 (253008)	1	Use AS-2
15	See Remarks	FLX SCREW M5 X 6MM (590704)	1	Use AS-1 or AS-2
16	See Remarks	FLX SPRING WASHER 5MM (650501)	1	Use AS-1 or AS-2

Flextool PowerVibe (All Models) Continued

17	See Remarks	FLX GROUND WIRE (255017)	1	Use AS-1 or AS-2
18	See Remarks	FLX BARREL END ADAPTOR FPV45 (251009)	1	Use AS-1
	See Remarks	FLX BARREL END ADAPTOR FPV60 (253009)	1	Use AS-2
19	See Remarks	FLX RUBBER ISOLATOR (252010)	1	Use AS-1 or AS-2
20	See Remarks	FLX INSULATION TUBE 6MM FPV45 (430214)	1	Use AS-1
	See Remarks	FLX INSULATION TUBE 7MM FPV60 (430209)	1	Use AS-2
21	See Remarks	FLX CABLE GLAND MG16 X 1.5MM (570231)	1	Use AS-1 or AS-2
22	See Remarks	FLX WIRING TERMINALS (712102)	4	Use AS-3
23	See Remarks	FLX WIRING 6M (430812)	1	Use AS-3
24	NPS01077-UNIT	FLX BAND-IT COLLAR LARGE (712201)	2	
25	NPS01083-UNIT	FLX FLEXSHAFT CASING 6M (830303)	1	
26	See Remarks	FLX INVERTER SWITCH BOX ASSY FPV45 (756221CF)	1	Use AS-4
	See Remarks	FLX INVERTER SWITCH BOX ASSY FPV60 (756321CF)	1	Use AS-5
27	See Remarks	FLX SERIAL NUMBER PLATE FVP45 (756139F)	1	Use AS-4
	See Remarks	FLX SERIAL NUMBER PLATE FVP60 (756141F)	1	Use AS-5
28	NPS01076-UNIT	FLX BAND-IT COLLAR SMALL (712202)	1	
29	NPS01078-UNIT	FLX CABLE PROTECTION SLEEVE (750125)	1	
30	See Remarks	FLX POWER CABLE 10M (252020)	1	Use AS-6
31	See Remarks	FLX RCD PROTECTION (115802)	1	Use AS-6
32	See Remarks	FLX CABLE & PLUG AU TYPE (253024)	1	Use AS-6

Assembly / Service Kits

AS-1	NPS01084-UNIT	FLX POWERVIBE HEAD AND CABLE ASSY FPV45 (251120H)	1	Inc Items: 1-21 (Suits FPV45)
AS-2	NPS01085-UNIT	FLX POWERVIBE HEAD AND CABLE ASSY FPV60 (253120H)	1	Inc Items: 1-21 (Suits FPV60)
AS-3	NPS01081-UNIT	FLX WIRING LOOM FPV45 (430808F)	1	Inc Items: 22 & 23
AS-4	NPS01086-UNIT	FLX INVERTER SWITCH BOX ASSY FPV45 (756220CF)		Inc Items: 26 & 27 (Suits FPV45)
AS-5	NPS01087-UNIT	FLX INVERTER SWITCH BOX ASSY FPV60 (756320CF)		Inc Items: 26 & 27 (Suits FPV60)
AS-6	NPS01082-UNIT	FLX CABLE ASSY RCD & PLUG 10M (252020F)	1	Inc Items: 30-32



Flextool PowerVibe Inverter Switch Box (All Models)

Item No.	Product Code	Description	Qty	Remarks
1	See Remarks	FLX SCREW M5 X 16MM (630402)	4	Use AS-1 or AS-2 or SK-2
2	See Remarks	FLX SPRING WASHER 5MM (650501)	4	Use AS-1 or AS-2 or SK-2
3	See Remarks	FLX FLAT WASHER 5MM (650102)	4	Use AS-1 or AS-2 or SK-2
4	See Remarks	FLX BOX COVER (756131)	1	Use AS-1 or AS-2 or SK-2
5	See Remarks	FLX WIRE CLIP (756227)	1	Use AS-1 or AS-2 or SK-2
6	See Remarks	FLX FLAT WASHER 4MM (650101)	10	Use AS-1 or AS-2 or SK-2
7	See Remarks	FLX SPRING WASHER 4MM (650505)	6	Use AS-1 or AS-2 or SK-2
8	See Remarks	FLX SCREW M4 X 12MM (630717)	4	Use AS-1 or AS-2 or SK-2
9	See Remarks	FLX SWITCH (756134)	1	Use AS-1 or AS-2 or SK-1
10	See Remarks	FLX SCREW M3 X 10MM (630723)	6	Use AS-1 or AS-2
11	See Remarks	FLX FLAT WASHER 3MM (650106)	6	Use AS-1 or AS-2
12	See Remarks	FLX WIRING CONNECTOR (570391)	1	Use AS-1 or AS-2 or SK-2
13	See Remarks	FLX SCREW M3 X 5MM (630737)	1	Use AS-1 or AS-2
14	See Remarks	FLX THERMAL SENSOR (570385)	1	Use AS-1 or AS-2
15	See Remarks	FLX O-RING 190MM X 3MM (510430)	1	Use AS-1 or AS-2 or SK-2
16	See Remarks	FLX SCREW M4 X 10MM (630424)	2	Use AS-1 or AS-2 or SK-2
17	See Remarks	FLX SERIAL NUMBER PLATE FVP45 (756139F)	1	Use AS-1
	See Remarks	FLX SERIAL NUMBER PLATE FVP60 (756141F)	1	Use AS-2
18	NPS01075-UNIT	FLX RUBBER BOOT (756126)	1	

Flextool PowerVibe Inverter Switch Box (All Models) Continued

19	See Remarks	FLX SCREW M4 X 12MM (633519)	2	Use AS-1 or AS-2 or SK-1
20	See Remarks	FLX SWITCH SUPPORT BRACKET (756135)	1	Use AS-1 or AS-2 or SK-1
21	See Remarks	FLX GASKET (756136)	1	Use AS-1 or AS-2 or SK-1
22	See Remarks	FLX POWERVIBE IC PLATE FPV45 (756144)	1	Use AS-1
	See Remarks	FLX POWERVIBE IC PLATE FPV60 (756145)	1	Use AS-2
23	See Remarks	FLX INSULATED TUBE (430214)	1	Use AS-1 or AS-2 or SK-2
24	See Remarks	FLX SCREW M4 X 12MM (630426)	4	Use AS-1 or AS-2 or SK-2
25	See Remarks	FLX CABLE CLAMP (756115)	2	Use AS-1 or AS-2 or SK-2
26	See Remarks	FLX LEAD PROTECTOR (750103)	1	Use AS-1 or AS-2 or SK-2
27	See Remarks	FLX GLAND NUT (756105)	1	Use AS-1 or AS-2 or SK-2
28	See Remarks	FLX WASHER (756104)	2	Use AS-1 or AS-2 or SK-2
29	See Remarks	FLX RUBBER BUSH (510104)	1	Use AS-1 or AS-2 or SK-2
30	See Remarks	FLX BOX HOUSING (756138)	1	Use AS-1 or AS-2

Assembly / Service Kits

Item No.	Product Code	Description	Qty	Remarks
AS-1	NPS01086-UNIT	FLX INVERTER SWITCH BOX ASSY FPV45 (756220CF)	1	Inc Items: 1-30 (Suits FPV45)
AS-2	NPS01087-UNIT	FLX INVERTER SWITCH BOX ASSY FPV60 (756320CF)	1	Inc Items: 1-30 (Suits FPV60)

SK-1	NPS01080-UNIT	FLX POWERVIBE SWITCH KIT (756134SK)	1	Inc Items: 9, 19-21
SK-2	NPS01079-UNIT	FLX POWERVIBE INVERTER SERVICE KIT (756222SK)	1	Inc Items: 1-3, 5-8, 12, 15, 16, 23-29