



---

## SERVICE SHEET

---

### 40" WALK-BEHIND POWER TROWEL

MODEL FT40



 **WARNING**

To reduce the risk of injury, all operators and maintenance personnel must read and understand these instructions before operating, changing accessories, or performing maintenance on this power equipment. All possible situations cannot be covered in these instructions. Care must be exercised by everyone using, maintaining or working near this equipment.



# Flextool

SERVICE SHEET F04040SS ISSUE 211108

## WALK BEHIND POWER TROWEL MODEL FT40

PART NO.  
F04040



ITEM NO.	PART NO.	DESCRIPTION	QUANTITY	NOTES
1	F03431	LABEL, RUNAWAY SWITCH & THROTTLE	1	
2	F03455	DECAL, SAFETY, PETROL MOTOR	1	
3	F01433	LABEL, USE UNLEADED PETROL ONLY	1	
4	F03456	DECAL, SAFETY, POWER TROWEL	1	



**Flextool**

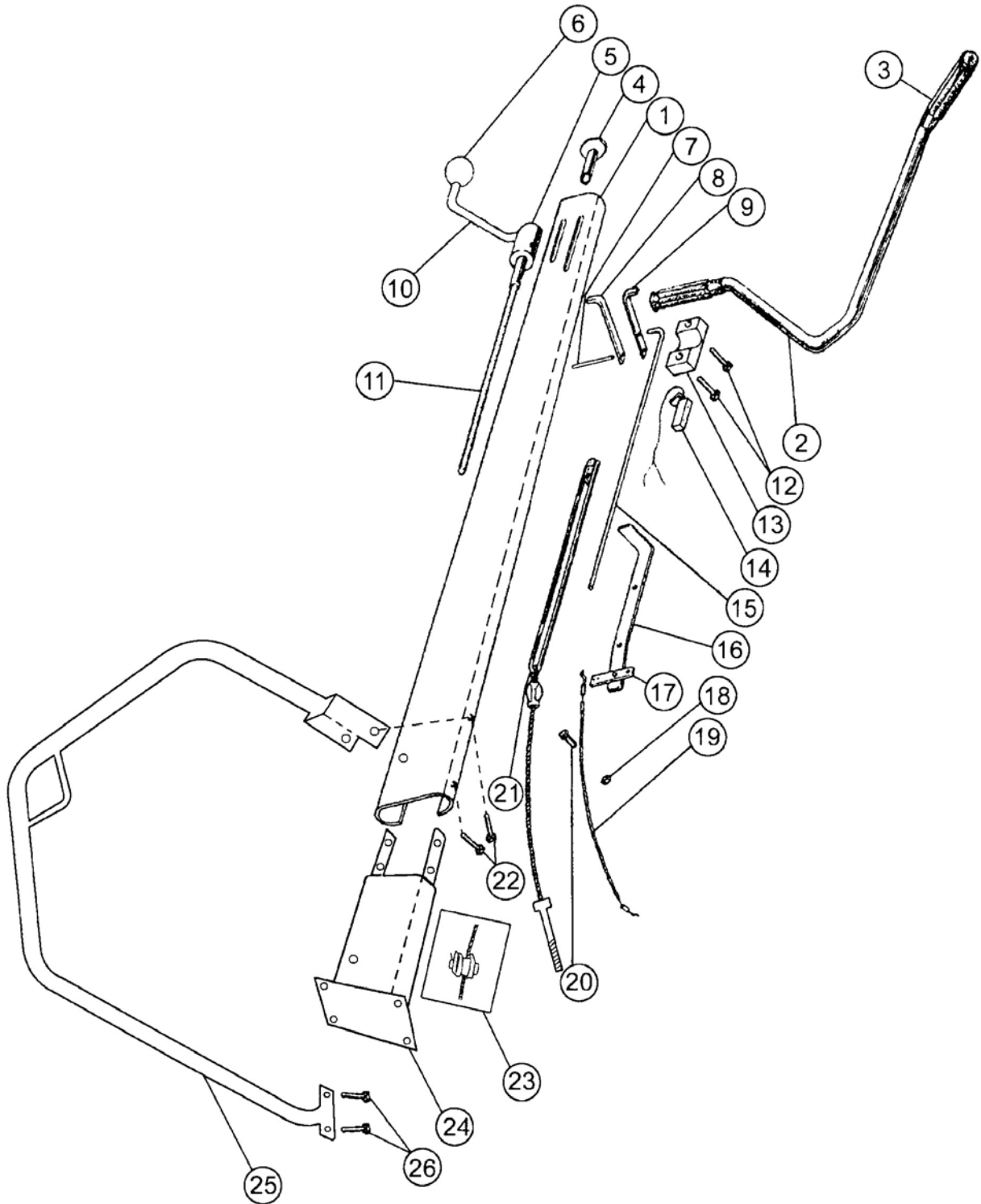
SERVICE SHEET F04040SS ISSUE 211108

# WALK BEHIND POWER TROWEL

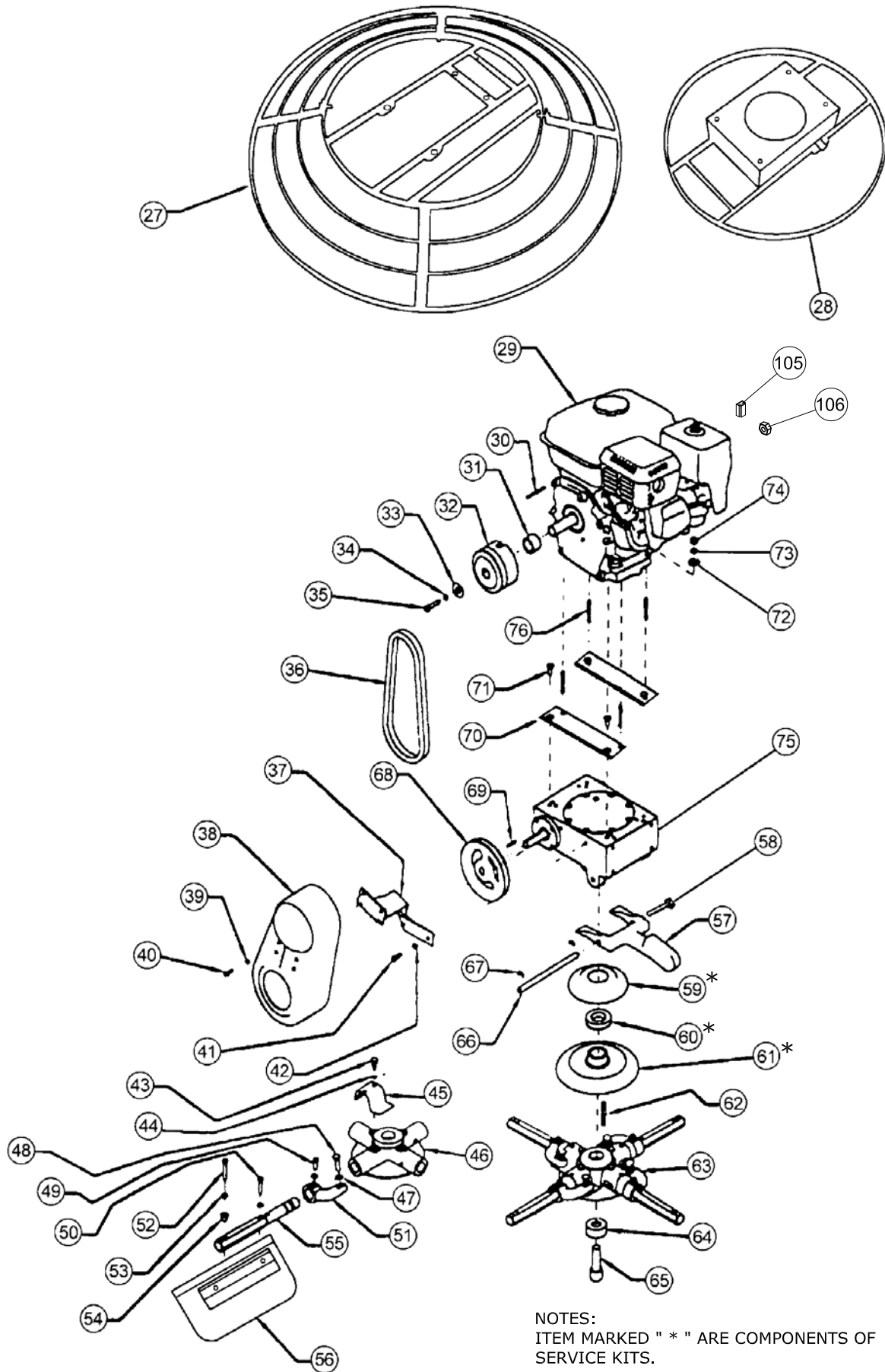
MODEL FT40

PART NO.

F04040







NOTES:  
 ITEM MARKED " \* " ARE COMPONENTS OF  
 SERVICE KITS.



# Flextool

SERVICE SHEET F04040SS ISSUE 211108

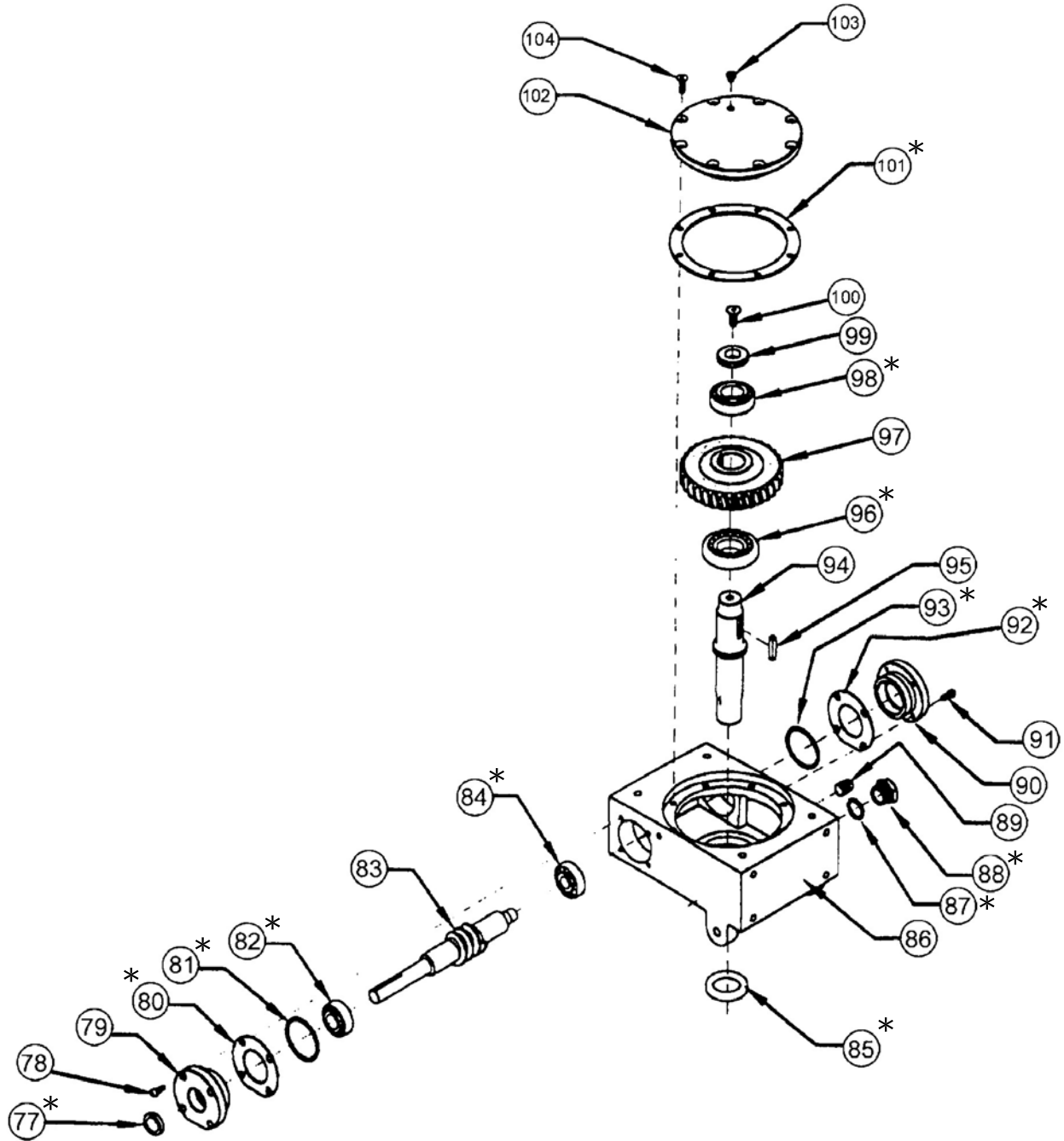
## WALK BEHIND TROWEL , FT40 PARTS LIST

PART NO.  
**F04040**

ITEM NO.	PART NO.	DESCRIPTION	QUANTITY
27	F04010	GUARD RING ASSY	1
28	FM340200002	MOUNTING PLATE - GEAR BOX	1
29	FM340200003	PETROL ENGINE - HONDA GX160	1
30	FM340200004	KEY	1
31	FM340200005	WASHER	1
32	FM340200006	CLUTCH ASSY	1
33	FM340200007	SPACER	1
34	FM340200008	SPRING WASHER	1
35	FM340200009	SCREW	1
36	FM340200010	BELT	1
37	FM340200011	MOUNTING PLATE - BELT GUARD	1
38	FM340200012	BELT GUARD - MT36	1
39	FM340200013	SPACER	4
40	FM340200014	M6 SCREW	4
41	FM340200015	M8 SCREW	2
42	FM340200016	SPACER	2
43	FM340200017	SCREW	4
44	FM340200018	NUT	4
45	FM340200019	SPRING PLATE	4
46	FM340200020	SPIDER PLATE ONLY	1
47	FM340200021	NUT	8
48	FM340200022	RADIUS HEAD SCREW	4
49	FM340200023	ROLLER PIN	4
50	FM340200024	BOLT, HEX HEAD, 3/8"BSW	4
51	FM340200025	TROWEL ARM LEVER	4
52	FM340200026	BOLT, HEX HEAD, 3/8"BSW	4
53	FM340200027	SPRING WASHER, 3/8"	8
54	FM340200028	SPACER	4
55	FM340200029	TROWEL ARM EXTENDED -MT36	4
56	FT-S40-18	COMB. BLADE, 375 X 202, 3/8"BSW HOLE	4
57	FM340200031	ARM YOKE	1
58	FM340200032	BOLT	1
59	FM340200033	WEAR RING	1
60	FM340200034	BEARING	1
61	FM340200035	WEAR PLATE	1
62	FM340200036	PIN	1
63	FM340200037	SPIDER PLATE ASSY	1
64	FM340200038	SPACER	1
65	FM340200039	BOLT	1
66	FM340200040	YOKE PIN	1
67	FM340200041	WASHER	2
68	FM340200042	PULLEY	1
69	FM340200043	KEY	1
70	FM340200044	FRONT ENGINE MOUNTING PLATE	1
71	FM340200045	FLAT HEAD SCREW	4
72	FM340200046	SPACER	4
73	FM340200047	SPRING WASHER	4
74	FM340200048	NUT	4
75	FM340200049	GEAR BOX ASSY	1
76	FM340200050	SCREW	4
105	F03150	CONNECTOR, SCOTCHLOCK CABLE CRIMP	1
106	F09216	NUT, HEX, M5 X 0.8, THROTTLE CABLE	1



### FM340200049 GEARBOX ASSY



NOTES: ITEMS MARKED " \* " ARE COMPONENTS OF SERVICE KITS.



SERVICE SHEET F04040SS ISSUE 211108

WALK BEHIND TROWEL, FT40  
**PARTS LIST**

PART NO.  
**F04040**

ITEM NO.	PART NO.	DESCRIPTION	QUANTITY
77	FM340300001	SEAL	1
78	FM340300002	SCREW	4
79	FM340300003	FLANGE - INPUT SHAFT	1
80	FM340300004	PLATE - SEAL	1
81	FM340300005	O RING	1
82	FM340300006	BEARING	1
83	FM340300007	WORM	1
84	FM340300008	BEARING	1
85	FM340300009	OIL SEAL	1
86	FM340300010	GEARBOX HOUSING	1
87	FM340300011	SEAL	1
88	FM340300012	SIGHT GLASS	1
89	FM340300013	PLUG	1
90	FM340300014	FLANGE	1
91	FM340300015	M6 SCREW	4
92	FM340300016	SEAL	1
93	FM340300017	O RING	1
94	FM340300018	SHAFT	1
95	FM340300019	KEY	1
96	FM340300020	BEARING	1
97	FM340300021	WORM GEAR	1
98	FM340300022	BEARING	1
99	FM340300023	SPACER	1
100	FM340300024	M10 SCREW	1
101	FM340300025	SEAL	1
102	FM340300026	COVER - GEAR BOX	1
103	FM340300027	SCREW	1
104	FM340300028	SCREW, M8	8
<b>SERVICE KITS</b>			
	<b>FM340200034KT</b>	<b>SERVICE KIT, WEAR PLATES</b>	<b>1</b>
59	FM340200033	WEAR RING	1
60	FM340200034	BEARING	1
61	FM340200035	WEAR PLATE	1
	<b>FM340200007KT</b>	<b>SERVICE KIT, SHAFT BEARINGS</b>	<b>1</b>
77	FM340300001	SEAL	1
80	FM340300004	PLATE - SEAL	1
81	FM340300005	O RING	1
82	FM340300006	BEARING	1
84	FM340300008	BEARING	1
92	FM340300016	SEAL	1
93	FM340300017	O RING	1





**Flextool**

SERVICE SHEET F04040SS ISSUE 211108

WALK BEHIND TROWEL, FT40  
**PARTS LIST**

PART NO.  
**F04040**

ITEM NO.	PART NO.	DESCRIPTION	QUANTITY
	<b>FM340300010KT</b>	<b>SERVICE KIT, SEALS, GEARBOX</b>	<b>1</b>
85	FM340300009	OIL SEAL	1
87	FM340300011	SEAL	1
88	FM340300012	SIGHT GLASS	1
101	FM340300025	SEAL	1
	<b>FM340300018KT</b>	<b>SERVICE KIT, SHAFT BEARINGS</b>	<b>1</b>
96	FM340300020	BEARING	1
98	FM340300022	BEARING	1

## CONTACT INFORMATION FOR SPARE PARTS AND SERVICE

Flextool (Aust.) Pty. Ltd.  
400 Victoria St  
Brunswick, Victoria 3056, Australia  
Internet: [www.flextool.com.au](http://www.flextool.com.au)  
Email: [sales@flextool.com.au](mailto:sales@flextool.com.au)  
Sales (free call): 1800 801 108

### **Head Office - Victoria**

400 Victoria St, Brunswick  
Tel: (03) 9356 8300, International +61 418 552 369  
Fax: (03) 9356 8301, International +61 3 9356 8301

---

### **New South Wales**

Unit 1, 52 Heathcote Road, Moorebank.  
Tel: (02) 9601 1422  
Fax: (02) 9824 3077

---

### **Queensland**

14 Manton Street, Morningside.  
Tel: (07) 3902 2350  
Fax: (07) 3399 4822

---

### **South Australia**

68 Daws Road, Edwardstown.  
Tel: (08) 8374 4300  
Fax: (08) 8374 4194

---

### **Western Australia**

47 Belmont Avenue, Belmont.  
Tel: (08) 9451 2077  
Fax: (08) 9350 5011

---