



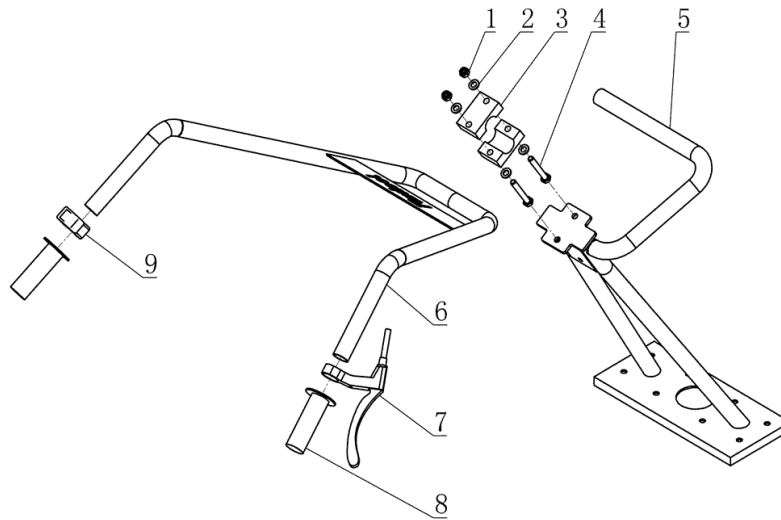
SPARE PARTS MANUAL

FLEXTOOL PORTASCREED® FPS-3



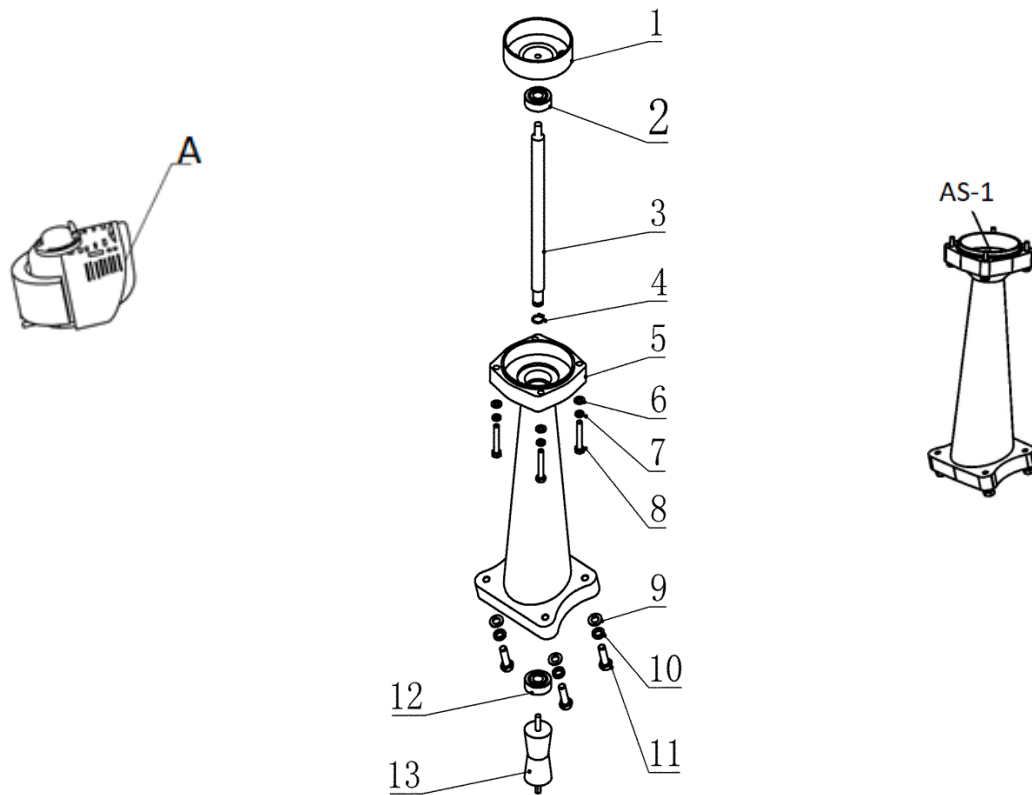
Version 3.0 (October 2023)

FOR MORE INFORMATION VISIT flextool.com.au



Handle Frame (FPS-3)

Item No.	Product Code	Description	Qty	Remarks
1	NPS00406-UNIT	FLX LOCK NUT 8MM (SY-L-L260-320-CL42)	2	
2	NPS07228-UNIT	FLX WASHER FLAT M8 (SY-GB/T95-08)	4	
3	NPS07609-UNIT	FLX CLAMP (SY-R-CSD-C403-26)	2	
4	NPS07610-UNIT	FLX HEX HEAD SCREW, M8X60 (SY-GB/T5780-08-060)	2	
5	NPS07611-UNIT	FLX UPPER HANDLE SECTION (SY-R-ZIJZ-002)	1	
6	NPS07612-UNIT	FLX LOWER HANDLE SECTION (SY-L-296-0517)	1	
7	NPS07613-UNIT	FLX THROTTLE ASSY. (SY-R-CSD-C319)	1	
8	NPS01089-UNIT	FLX HANDLE GRIPS (SY-R-250-001)	2	
9	NPS07614-UNIT	FLX ON-OFF SWITCH (SY-R-CSD-C184)	1	

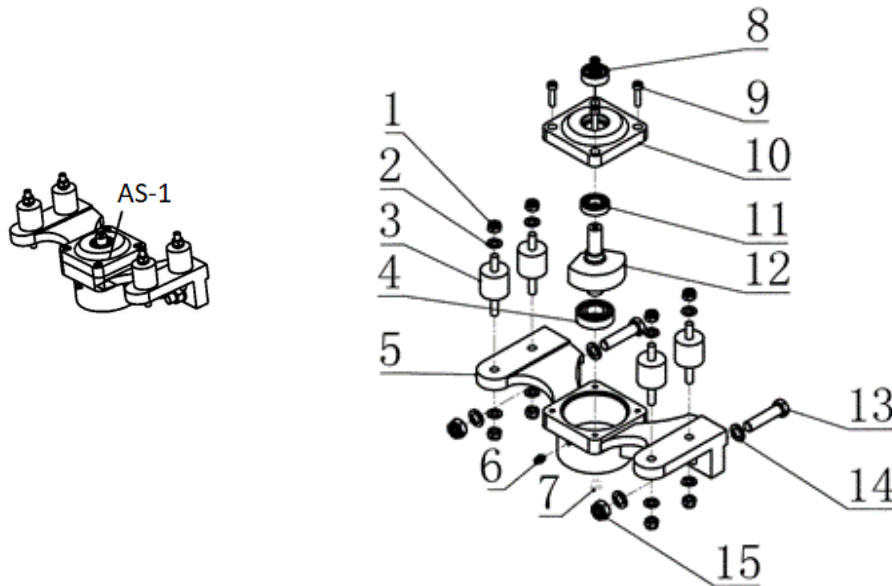


Drive Shaft Assy (FPS-3)

Item No.	Product Code	Description	Qty	Remarks
A	NPS03473-UNIT	FLX HON GX35 SATM PORTASCREED (F03473)	1	
1	NPS07615-UNIT	FLX CLUTCH CPL. (SY-R-CSD-C408-01)	1	
2	NPS07616-UNIT	FLX BEARING 6201Z (SY-R-ZC-6201Z)	1	
3	NPS07617-UNIT	FLX DRIVE SHAFT (SY-R-CR-Z200236)	1	
4	NPS07618-UNIT	FLX RETAINING RING (SY-GB/T894.1-12)	1	
5	See Remarks	FLX HOUSING (SY-R-ZCZ-001)	1	Use AS-1
6	NPS07267-UNIT	FLX WASHER FLAT M6 (SY-GB/T95-06)	4	
7	NPS07268-UNIT	FLX WASHER SPRING M6 (SY-GB/T93-06)	4	
8	NPS07619-UNIT	FLX HEX HEAD SCREW, M6X35 (SY-GB/T5780-06-35)	4	
9	NPS07228-UNIT	FLX WASHER FLAT M8 (SY-GB/T95-08)	4	
10	NPS00404-UNIT	FLX SPRING WASHER 8MM (SY-GB-T93-08)	4	
11	NPS00408-UNIT	FLX BOLT M8 X 25MM (SY-GB-T5780-08-25)	4	
12	NPS07620-UNIT	FLX BEARING 3201z (SY-U-ZC-3201z)	1	
13	NPS00299-UNIT	FLX RUBBER CONNECTOR PORTASCREED (SY-R-CSD-C407)	1	

Drive Assembly

Item No.	Product Code	Description	Qty	Remarks
AS-1	NPS07621-UNIT	FLX DRIVE ASSY (SY-B-ZCZ-001)	1	Inc Items: 1-13

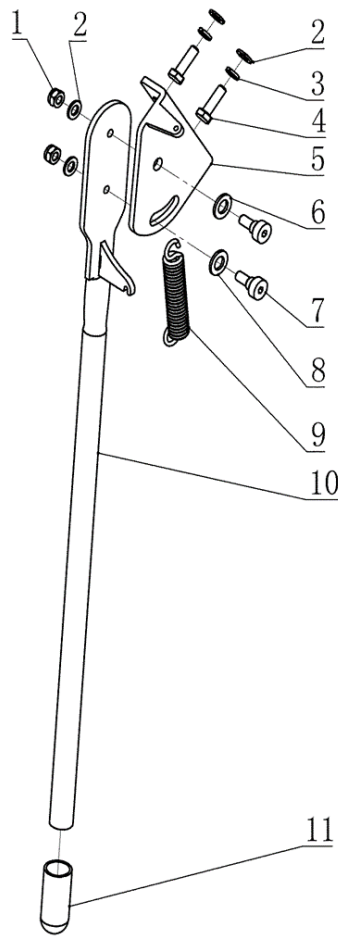


Vibrator Assy (FPS-3)

Item No.	Product Code	Description	Qty	Remarks
1	NPS00406-UNIT	FLX LOCK NUT 8MM (SY-L-L260-320-CL427)	8	
2	NPS07228-UNIT	FLX WASHER FLAT M8 (SY-GB/T95-08)	8	
3	NPS07622-UNIT	FLX SHOCK MOUNT (SY-R-JZZ-001)	4	
4	NPS00293-UNIT	FLX PORTASCREED BEARING (SY-U-62203-2RS-C&U)	1	
5	See Remarks	FLX BRACKET (SY-L-297-0518)	1	Use AS-1
6	NPS07623-UNIT	FLX GREASE FITTING (SY-R-P836-C138-M6)	1	
7	NPS07624-UNIT	FLX SOCKET HEAD SCREW, M6X25 (SY-R-DK-001)	1	
8	NPS00295-UNIT	FLX PORTASCREED OIL SEAL 15X30X7(SY-GB/T13871.1-15)	1	
9	NPS07625-UNIT	FLX SCREW, M6X25 (SY-GB/T70.3-06*25)	4	
10	See Remarks	FLX BEARING COVER (SY-R-CSD-C405)	4	Use AS-1
11	NPS00294-UNIT	FLX PORTASCREED BEARING (SY-U-3202-2RZ-C&U)	1	
12	NPS00292-UNIT	FLX PORTASCREED DRIVE SHAFT (SY-Z00269)	1	
13	NPS07626-UNIT	FLX HEX HEAD SCREW, M10X50 (SY-GB/T889.1-10*50)	2	
14	NPS07212-UNIT	FLX WASHER FLAT M10 (SY-GB/T95-10)	4	
15	NPS07248-UNIT	FLX NY-LOCK NUT M10 (SY-R-205-CL1235)	2	

Drive System Assembly

Item No.	Product Code	Description	Qty	Remarks
AS-1	NPS00145-UNIT	FLX PORTASCREED VIBRATOR & MOUNT ASSY (SY-B-ZC-002)	1	Inc Items: 1-15



Kick Stand Assembly (FPS-3)

Item No.	Product Code	Description	Qty	Remarks
1	See Remarks	FLX LOCK NUT, M8 (SY-GB/T923-6)	2	
2	See Remarks	FLX WASHER (SY-GB/T923-06)	4	
3	See Remarks	FLX SPRING WASHER (SY-GB/T93-06-01)	2	
4	NPS07269-UNIT	FLX BOLT M6X20 (SY-B-226-CL021)	2	
5	See Remarks	FLX PLATE (SY-R-CJ-002)	1	
6	See Remarks	FLX WASHER (SY-R-BXDP-003)	1	
7	See Remarks	FLX SCREW (SY-GB/T5281-8-5)	2	
8	See Remarks	FLX WASHER (SY-GB/T97.1-08)	1	
9	NPS07627-UNIT	FLX SPRING (SY-R-LSTH-001)	1	
10	See Remarks	FLX SUPPORT STAND (SY-B-CJ-003)	1	
11	See Remarks	FLX RUBBER STOPPER (SY-R-XJJ-001)	1	

Assembly

Item No.	Product Code	Description	Qty	Remarks
AS-1	NPS07628-UNIT	FLX SUPPORT STAND CPL (SY-B-CJ-003)		Inc Items: 1-15



Flextool

1956 Dandenong Road, Clayton VIC 3168, Australia

Phone (AUS): 1300 353 986

flextool.com.au

ABN 80 069 961 968

This manual summarises our best knowledge of the product based on the information available at the time of publication. You should read this manual carefully and consider the information in the context of how the product will be used. Our responsibility for products sold is subject to our standard terms and conditions of sale.

DISCLAIMER:

Any advice, recommendation, information, assistance or service provided by us in this manual is given in good faith and is believed by us to be appropriate and reliable. However, any advice, recommendation, information, assistance or service provided by us is provided without liability or responsibility PROVIDED THAT the foregoing shall not exclude, limit, restrict or modify the right entitlements and remedies conferred upon any person or the liabilities imposed upon us by any condition or warranty implied by Commonwealth, State or Territory Act or ordinance void or prohibiting such exclusion limitation or modification. The product can be expected to perform as indicated in this manual so long as operation and operational procedures of the individual products are followed as recommended in this manual.

Design and technical specifications may be subject to changes.

© This publication is copyright. All rights are reserved. Flextool and PortaScreed are registered trade marks of Parchem Construction Supplies Pty Ltd.

FOR MORE INFORMATION VISIT flextool.com.au