



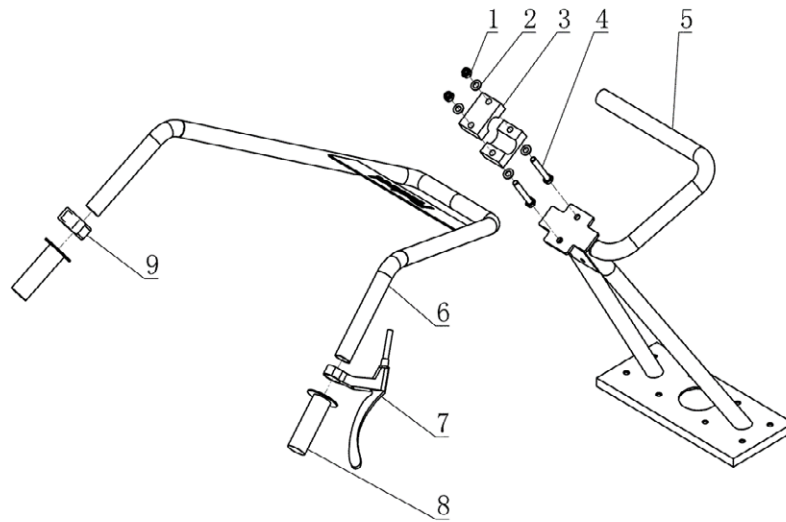
SPARE PARTS MANUAL

FLEXTOOL PORTASCREED® FPS-3



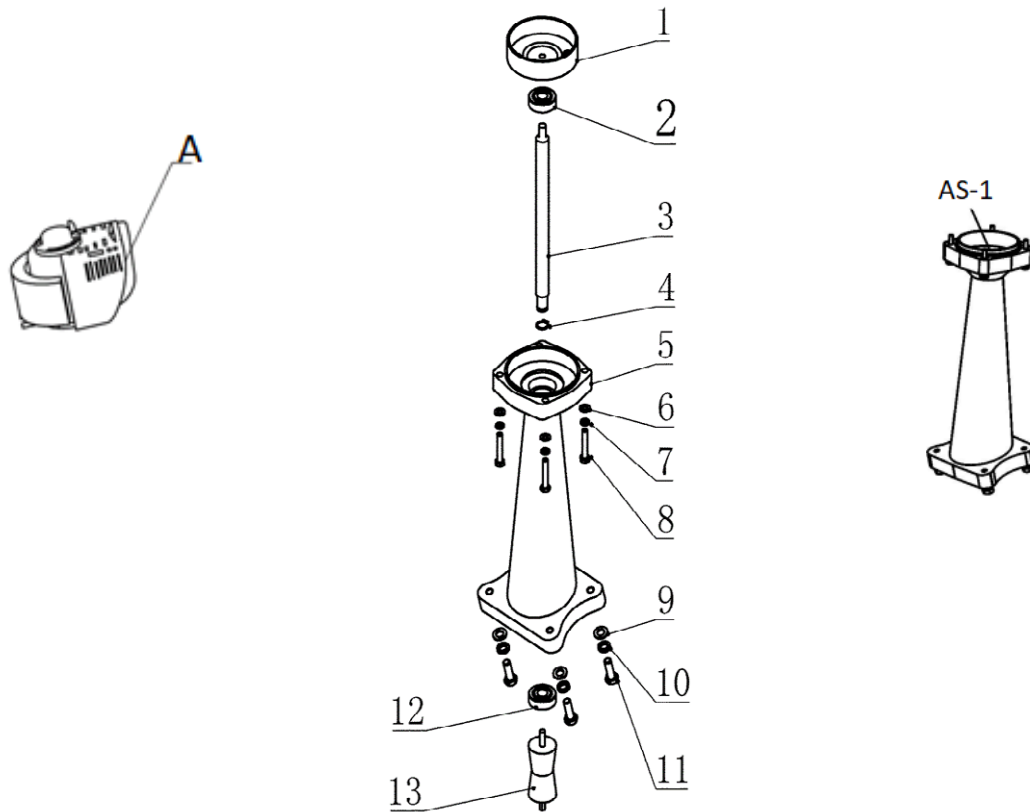
Version 1.0 (November 2021)

FOR MORE INFORMATION
CONTACT US ON 1300 353 986 OR VISIT flextool.com.au



Handle Frame (FPS-3)

| Item No. | Product Code | Description | Qty | Remarks |
|----------|---------------|--|-----|---------|
| 1 | NPS00406-UNIT | FLX LOCK NUT 8MM (SY-L-L260-320-CL42) | 2 | |
| 2 | NPS07228-UNIT | FLX WASHER FLAT M8 (SY-GB/T95-08) | 4 | |
| 3 | NPS07609-UNIT | FLX CLAMP (SY-R-CSD-C403-26) | 2 | |
| 4 | NPS07610-UNIT | FLX HEX HEAD SCREW, M8X60 (SY-GB/T5780-08-060) | 2 | |
| 5 | NPS07611-UNIT | FLX UPPER HANDLE SECTION (SY-R-ZJZJ-002) | 1 | |
| 6 | NPS07612-UNIT | FLX LOWER HANDLE SECTION (SY-L-296-0517) | 1 | |
| 7 | NPS07613-UNIT | FLX THROTTLE ASSY. (SY-R-CSD-C319) | 1 | |
| 8 | NPS01089-UNIT | FLX HANDLE GRIPS (SY-R-250-001) | 2 | |
| 9 | NPS07614-UNIT | FLX ON-OFF SWITCH (SY-R-CSD-C184) | 1 | |

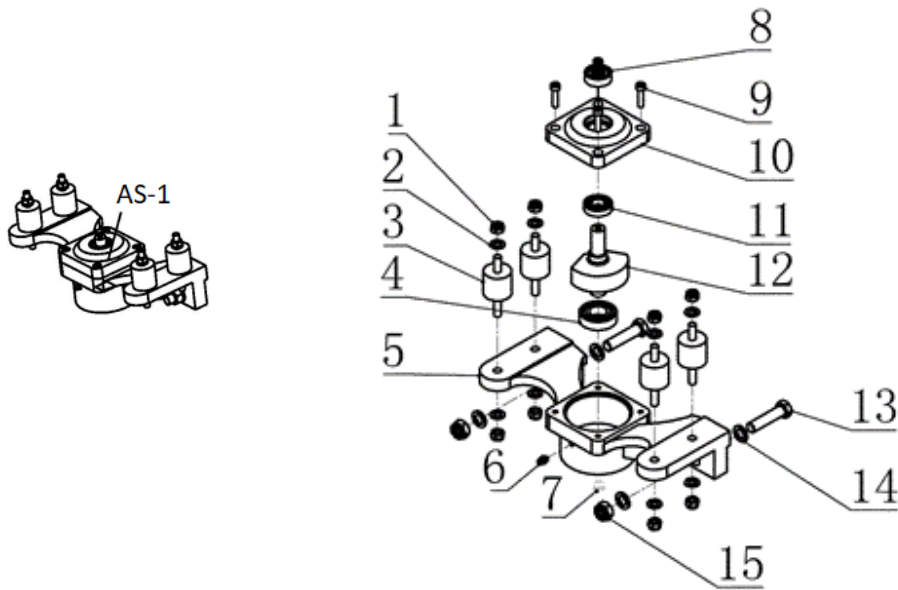


Drive Shaft Assy (FPS-3)

| Item No. | Product Code | Description | Qty | Remarks |
|----------|---------------|--|-----|----------|
| A | NPS03473-UNIT | FLX HON GX35 SATM PORTASCREED (F03473) | 1 | |
| 1 | NPS07615-UNIT | FLX CLUTCH CPL. (SY-R-CSD-C408-01) | 1 | |
| 2 | NPS07616-UNIT | FLX BEARING 6201Z (SY-R-ZC-6201Z) | 1 | |
| 3 | NPS07617-UNIT | FLX DRIVE SHAFT (SY-R-CR-Z200236) | 1 | |
| 4 | NPS07618-UNIT | FLX RETAINING RING (SY-GB/T894.1-12) | 1 | |
| 5 | See Remarks | FLX HOUSING (SY-R-ZCZ-001) | 1 | Use AS-1 |
| 6 | NPS07267-UNIT | FLX WASHER FLAT M6 (SY-GB/T95-06) | 4 | |
| 7 | NPS07268-UNIT | FLX WASHER SPRING M6 (SY-GB/T93-06) | 4 | |
| 8 | NPS07619-UNIT | FLX HEX HEAD SCREW, M6X35 (SY-GB/T5780-06-35) | 4 | |
| 9 | NPS07228-UNIT | FLX WASHER FLAT M8 (SY-GB/T95-08) | 4 | |
| 10 | NPS00404-UNIT | FLX SPRING WASHER 8MM (SY-GB-T93-08) | 4 | |
| 11 | NPS00408-UNIT | FLX BOLT M8 X 25MM (SY-GB-T5780-08-25) | 4 | |
| 12 | NPS07620-UNIT | FLX BEARING 3201z (SY-U-ZC-3201z) | 1 | |
| 13 | NPS00299-UNIT | FLX RUBBER CONNECTOR PORTASCREED (SY-R-CSD-C407) | 1 | |

Drive Assembly

| Item No. | Product Code | Description | Qty | Remarks |
|----------|---------------|-------------------------------|-----|-----------------|
| AS-1 | NPS07621-UNIT | FLX DRIVE ASSY (SY-B-ZCZ-001) | 1 | Inc Items: 1-13 |

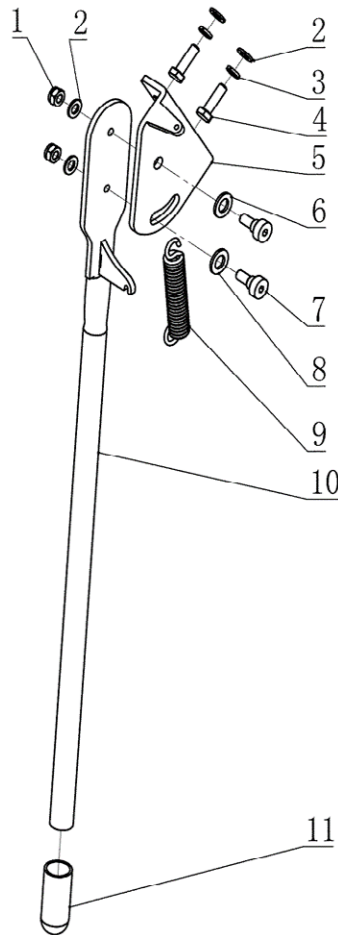


Vibrator Assy (FPS-3)

| Item No. | Product Code | Description | Qty | Remarks |
|----------|---------------|---|-----|----------|
| 1 | NPS00406-UNIT | FLX LOCK NUT 8MM (SY-L-L260-320-CL427) | 8 | |
| 2 | NPS07228-UNIT | FLX WASHER FLAT M8 (SY-GB/T95-08) | 8 | |
| 3 | NPS07622-UNIT | FLX SHOCK MOUNT (SY-R-JZZ-001) | 4 | |
| 4 | NPS00293-UNIT | FLX PORTASCREED BEARING (SY-U-62203-2RS-C&U) | 1 | |
| 5 | See Remarks | FLX BRACKET (SY-L-297-0518) | 1 | Use AS-1 |
| 6 | NPS07623-UNIT | FLX GREASE FITTING (SY-R-P836-C138-M6) | 1 | |
| 7 | NPS07624-UNIT | FLX SOCKET HEAD SCREW, M6X25 (SY-R-DK-001) | 1 | |
| 8 | NPS00295-UNIT | FLX PORTASCREED OIL SEAL 15X30X7(SY-GB/T13871.1-15) | 1 | |
| 9 | NPS07625-UNIT | FLX SCREW, M6X25 (SY-GB/T70.3-06*25) | 4 | |
| 10 | See Remarks | FLX BEARING COVER (SY-R-CSD-C405) | 4 | Use AS-1 |
| 11 | NPS00294-UNIT | FLX PORTASCREED BEARING (SY-U-3202-2RZ-C&U) | 1 | |
| 12 | NPS00292-UNIT | FLX PORTASCREED DRIVE SHAFT (SY-Z00269) | 1 | |
| 13 | NPS07626-UNIT | FLX HEX HEAD SCREW, M10X50 (SY-GB/T889.1-10*50) | 2 | |
| 14 | NPS07212-UNIT | FLX WASHER FLAT M10 (SY-GB/T95-10) | 4 | |
| 15 | NPS07248-UNIT | FLX NY-LOCK NUT M10 (SY-R-205-CL1235) | 2 | |

Drive System Assembly

| Item No. | Product Code | Description | Qty | Remarks |
|----------|---------------|---|-----|-----------------|
| AS-1 | NPS00145-UNIT | FLX PORTASCREED VIBRATOR & MOUNT ASSY (SY-B-ZC-002) | 1 | Inc Items: 1-15 |



Kick Stand Assembly (FPS-3)

| Item No. | Product Code | Description | Qty | Remarks |
|----------|---------------|-------------------------------------|-----|---------|
| 1 | See Remarks | FLX LOCK NUT, M8 (SY-GB/T923-6) | 2 | |
| 2 | See Remarks | FLX WASHER (SY-GB/T923-06) | 4 | |
| 3 | See Remarks | FLX SPRING WASHER (SY-GB/T93-06-01) | 2 | |
| 4 | NPS07269-UNIT | FLX BOLT M6X20 (SY-B-226-CL021) | 2 | |
| 5 | See Remarks | FLX PLATE (SY-R-CJ-002) | 1 | |
| 6 | See Remarks | FLX WASHER (SY-R-BXDP-003) | 1 | |
| 7 | See Remarks | FLX SCREW (SY-GB/T5281-8-5) | 2 | |
| 8 | See Remarks | FLX WASHER (SY-GB/T97.1-08) | 1 | |
| 9 | NPS07627-UNIT | FLX SPRING (SY-R-LSTH-001) | 1 | |
| 10 | See Remarks | FLX SUPPORT STAND (SY-B-CJ-003) | 1 | |
| 11 | See Remarks | FLX RUBBER STOPPER (SY-R-XJJ-001) | 1 | |

Assembly

| Item No. | Product Code | Description | Qty | Remarks |
|----------|---------------|------------------------------------|-----|-----------------|
| AS-1 | NPS07628-UNIT | FLX SUPPORT STAND CPL(SY-B-CJ-003) | | Inc Items: 1-15 |



Parchem Construction Supplies Pty Ltd

1956 Dandenong Road, Clayton VIC 3168, Australia

Phone: 1300 353 986

flextool.com.au

ABN 80 069 961 968

This manual summarises our best knowledge of the product based on the information available at the time of publication. You should read this manual carefully and consider the information in the context of how the product will be used. Our responsibility for products sold is subject to our standard terms and conditions of sale.

DISCLAIMER:

Any advice, recommendation, information, assistance or service provided by us in this manual is given in good faith and is believed by us to be appropriate and reliable. However, any advice, recommendation, information, assistance or service provided by us is provided without liability or responsibility PROVIDED THAT the foregoing shall not exclude, limit, restrict or modify the right entitlements and remedies conferred upon any person or the liabilities imposed upon us by any condition or warranty implied by Commonwealth, State or Territory Act or ordinance void or prohibiting such exclusion limitation or modification. The product can be expected to perform as indicated in this manual so long as operation and operational procedures of the individual products are followed as recommended in this manual.

Design and technical specifications may be subject to changes.

© This publication is copyright. All rights are reserved. Flextool is a registered trade mark and PortaScreed is a trade mark of Parchem Construction Supplies Pty Ltd.

FOR MORE INFORMATION

CONTACT US ON 1300 353 986 OR VISIT flextool.com.au