

## SPARE PARTS MANUAL

# MQ WHITEMAN RIDE-ON POWER TROWEL LD6SL



U.S. Revision #8 (07/07/25)  
AUS Version 3.0 (August 2025)

# PARTS MANUAL



***WHITEMAN***  
**MODELS**  
**LD6**  
**LD6SL**  
**HYDRAULIC RIDE-ON TROWEL**  
**(VANGUARD 23 HP GASOLINE ENGINE)**

Revision #8 (07/17/25)

To find the latest revision of this publication or associated operation manual, visit our website at: [www.multiquip.com](http://www.multiquip.com)



THIS MANUAL MUST ACCOMPANY THE EQUIPMENT AT ALL TIMES.

**PN: 45742**

# TABLE OF CONTENTS

## LD6/LD6SL Ride-On Trowel

Explanation of Code in Remarks Column..... 4  
Suggested Spare Parts ..... 5

### Component Drawings

Nameplate and Decals Assembly..... 6-7  
Frame and Platform Assembly ..... 8-9  
Seat Frame Assembly ..... 10-11  
Left-Hand Control Box Assembly..... 12-13  
Right-Hand Control Box Assembly ..... 14-15  
Hydraulic Steering Assembly..... 16-17  
Pivot Assembly ..... 18-19  
Left-Side Hydraulic Motor Assembly..... 20-21  
Right-Side Hydraulic Motor Assembly ..... 22-23  
Left-Side Spider Assembly ..... 24-25  
Right-Side Spider Assembly ..... 26-27  
Hydraulic Tank and Cooler Assembly ..... 28-29  
Hydraulic Pump Assembly..... 30-31

Hydraulic Filter and Manifold Assembly..... 32-33  
Hydraulic Hose Kit Assembly (Complete)..... 34-35  
Hyd. Hose Assy. (Hyd. Steering Cylinders) ..... 36-37  
Hyd. Hose Assy. (Manifold) ..... 38-39  
Hyd. Hose Assy. (Hyd. Tank/Filter/Cooler/Motors) .. 40-41  
Electrical Panel Assembly ..... 42-43  
Harness Assembly (Main)..... 44-45  
Harness Assembly (Pitch) ..... 46-47  
Battery Assembly..... 48-49  
Fuel System Assembly ..... 50-51  
Engine Mounting Assembly ..... 52-53  
Exhaust Assembly ..... 54-55  
Engine Service Parts..... 56-57  
Edger Kit Assembly (Option) ..... 58-59  
EZ Mover Kit Assembly (Option) ..... 60-61  
Light Kit Assembly (Option) ..... 62-63  
Retardant Spray Kit Assembly (Option)..... 64-65

**NOTICE**  
Specifications and part numbers are subject to change without notice.



# EXPLANATION OF CODE IN REMARKS COLUMN

The following section explains the different symbols and remarks used in the Parts section of this manual. Use the help numbers found on the back page of the manual if there are any questions.

## NOTICE

The contents and part numbers listed in the parts section are subject to change without notice. Multiquip does not guarantee the availability of the parts listed.

## SAMPLE PARTS LIST

NO.	PART NO.	PART NAME	QTY.	REMARKS
1	12345	BOLT .....	1	INCLUDES ITEMS W/%
2%		WASHER, 1/4 IN. ....		NOT SOLD SEPARATELY
2%	12347	WASHER, 3/8 IN. ...	1	MQ-45T ONLY
3	12348	HOSE .....	A/R	MAKE LOCALLY
4	12349	BEARING .....	1	S/N 2345B AND ABOVE

## NO. Column

**Unique Symbols** — All items with same unique symbol (@, #, +, %, or >) in the number column belong to the same assembly or kit, which is indicated by a note in the “Remarks” column.

**Duplicate Item Numbers** — Duplicate numbers indicate multiple part numbers, which are in effect for the same general item, such as different size saw blade guards in use or a part that has been updated on newer versions of the same machine.

## NOTICE

When ordering a part that has more than one item number listed, check the remarks column for help in determining the proper part to order.

## PART NO. Column

**Numbers Used** — Part numbers can be indicated by a number, a blank entry, or TBD.

TBD (To Be Determined) is generally used to show a part that has not been assigned a formal part number at the time of publication.

A blank entry generally indicates that the item is not sold separately or is not sold by Multiquip. Other entries will be clarified in the “Remarks” Column.

## QTY. Column

**Numbers Used** — Item quantity can be indicated by a number, a blank entry, or A/R.

A/R (As Required) is generally used for hoses or other parts that are sold in bulk and cut to length.

A blank entry generally indicates that the item is not sold separately. Other entries will be clarified in the “Remarks” Column.

## REMARKS Column

Some of the most common notes found in the “Remarks” Column are listed below. Other additional notes needed to describe the item can also be shown.

**Assembly/Kit** — All items on the parts list with the same unique symbol will be included when this item is purchased.

Indicated by:

“INCLUDES ITEMS W/(unique symbol)”

**Serial Number Break** — Used to list an effective serial number range where a particular part is used.

Indicated by:

“S/N XXXXX AND BELOW”

“S/N XXXX AND ABOVE”

“S/N XXXX TO S/N XXX”

**Specific Model Number Use** — Indicates that the part is used only with the specific model number or model number variant listed. It can also be used to show a part is NOT used on a specific model or model number variant.

Indicated by:

“XXXXX ONLY”

“NOT USED ON XXXX”

**“Make/Obtain Locally”** — Indicates that the part can be purchased at any hardware shop or made out of available items. Examples include battery cables, shims, and certain washers and nuts.

**“Not Sold Separately”** — Indicates that an item cannot be purchased as a separate item and is either part of an assembly/kit that can be purchased, or is not available for sale through Multiquip.

## SUGGESTED SPARE PARTS

### LD6/LD6SL HYDRAULIC RIDE-ON TROWEL

1 to 3 units

Qty.	P/N	Description
2	23959	SWITCH, IGNITION
2	23959-01	KEY, IGNITION
2	10793	ASSY., THRUST COLLAR
4	2826	ARM, TROWEL
4	1157 A	BUSHING, TROWEL ARM
1	45132-01	RESERVOIR CAP
4	23284-050	FUSE, 5 AMP ATC/ATO
2	23284-100	FUSE, 10 AMP ATC/ATO
2	23284-200	FUSE, 20 AMP ATC/ATO
2	45644	FILTER, HYD. 10 MICRON
2	12017	RELAY, KILL
1	45547	CAP, FUEL TANK

### VANGUARD 23 HP GASOLINE ENGINE

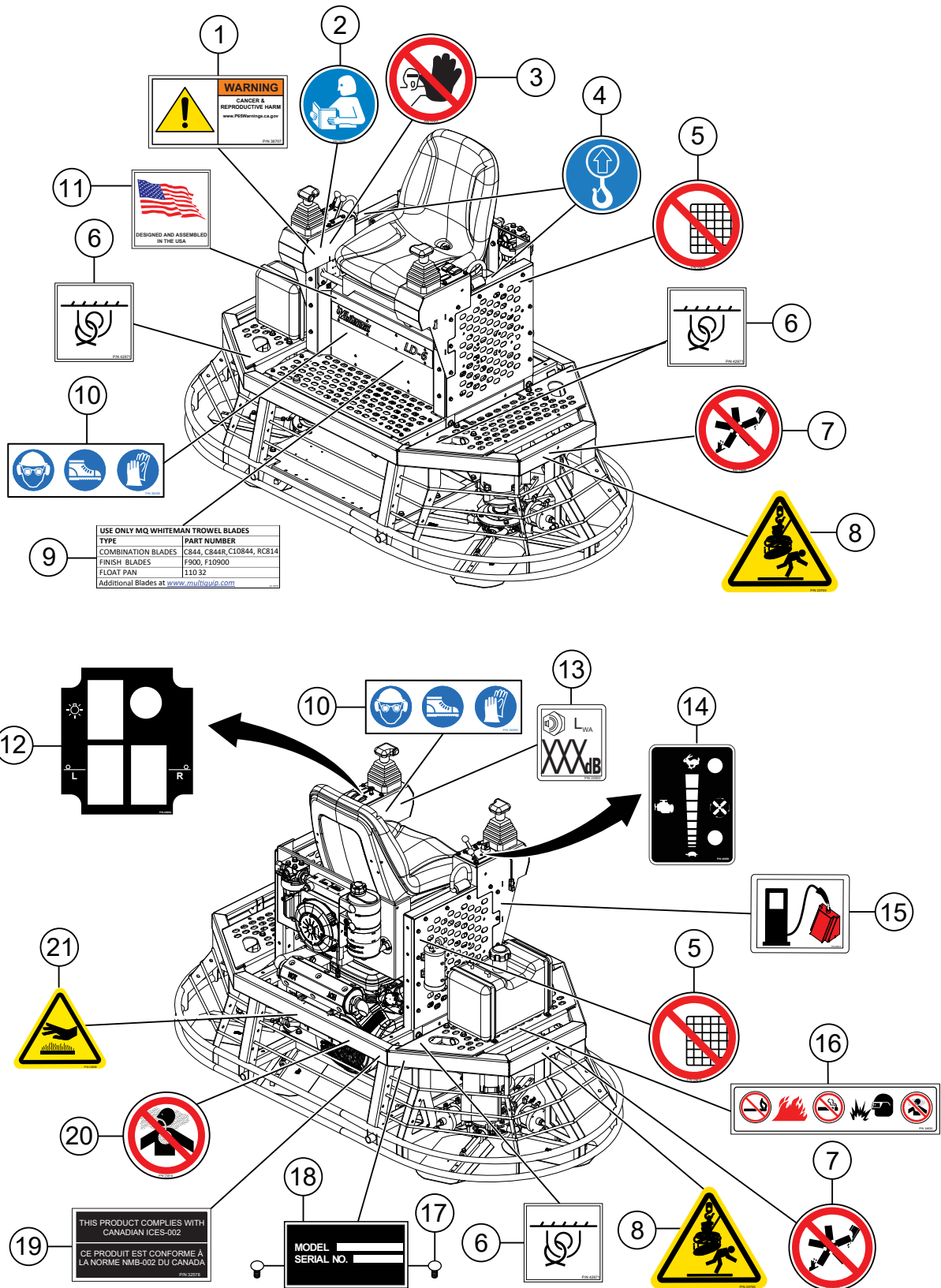
1 to 3 units

Qty.	P/N	Description
3	792015	SPARK PLUG
2	842921	FILTER, OIL
2	692519	FILTER, AIR CLEANER CARTRIDGE
2	692520	FILTER, PRE AIR CLEANER
3	845125	FILTER, FUEL 20 MICRON
1	808656	PUMP, FUEL

#### NOTICE

Part numbers on this Suggested Spare Parts list may supersede/replace the part numbers shown in the following parts lists.

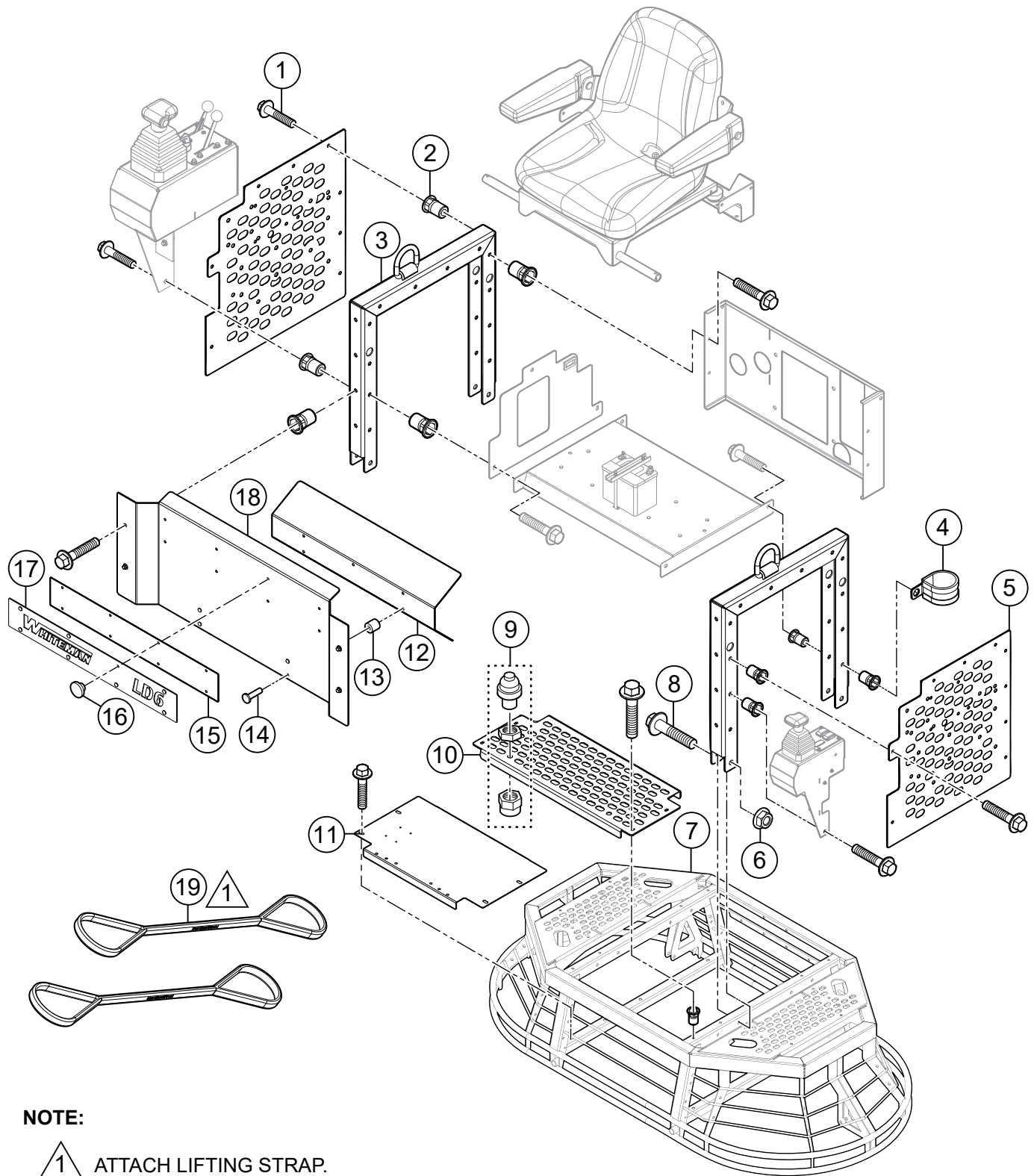
# NAMEPLATE AND DECALS ASSY.



## NAMEPLATE AND DECALS ASSY.

<u>NO.</u>	<u>PART NO.</u>	<u>PART NAME</u>	<u>QTY.</u>	<u>REMARKS</u>
1	38707	DECAL, CANCER AND REPRODUCTIVE HARM	1	
2	23699	DECAL ISO, READ MANUAL	1	
3	23701	DECAL ISO, ASK FOR TRAINING	1	
4	23805	DECAL ISO, LIFTING POINT, 1.00" DIA.	2	
5	23874	DECAL ISO, DO NOT REMOVE GUARDS, 2.00" DIA.	2	
6	42971	DECAL ISO, TIE-DOWN	4	
7	23698	DECAL ISO, ROTATING BLADE HAZARD	2	
8	23700	DECAL ISO, LIFTING/CRUSH, 2.4" X 2.0"	2	
9	32219	DECAL, TROWEL BLADES	1	
10	36099	DECAL ISO, PROTECTIVE CLOTHING, 3.50" X 1.13"	1	
11	30538	DECAL, FLAG DESIGNED ASM IN USA	1	
12	45658	DECAL, LH CONSOLE	1	
13	23803-118	DECAL, GUARANTEED SOUND POWER LEVEL	1	
14	45650	DECAL, SPEED CONTROL, MRX	1	
15	23812	DECAL ISO, FUEL GASOLINE 3.0" x 2.45"	1	
16	34630	DECAL ISO, FIRE, EXPLOSION, SMOKING HAZARD	1	
17	4014	SCREW, 2-3/16 P-K TYPE U-DRIVE	2	
18	13818	SN TAG, CE ROT	1	
19	32578	DECAL, CANADIAN COMPLIANCE	1	
20	23810	DECAL ISO, INHALATION HAZARD, 2"	1	
21	23808	DECAL ISO, HOT SURFACE HAZARD	1	

# FRAME AND PLATFORM ASSY.

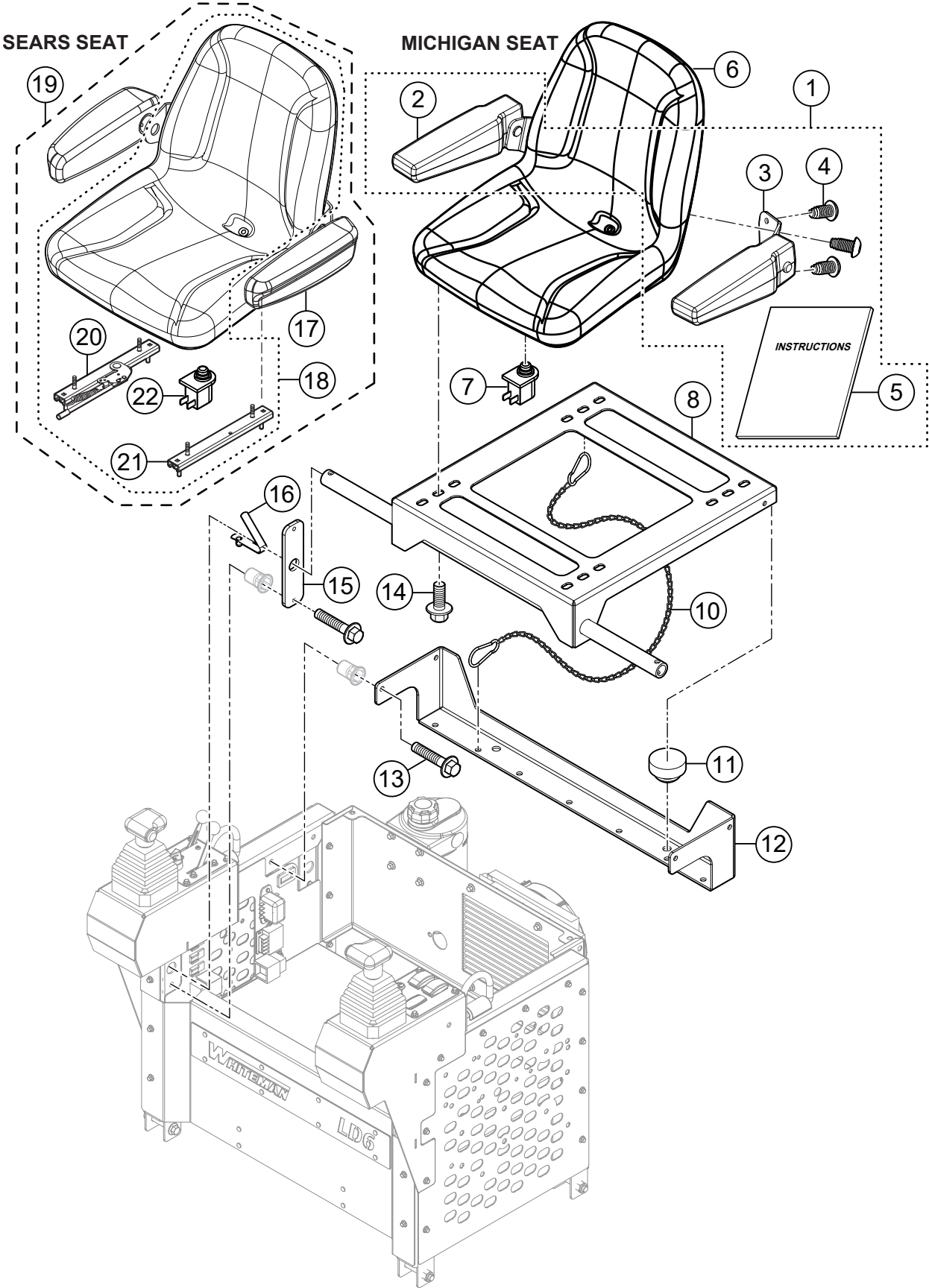


## FRAME AND PLATFORM ASSY.

---

<u>NO.</u>	<u>PART NO.</u>	<u>PART NAME</u>	<u>QTY.</u>	<u>REMARKS</u>
1	43724	SCREW, HHFS M6-1.0 X 25MM CLASS 8.8	26	
2	42496	NUT, BLIND, HEX, M6-1.0 X 0.7 - 4.2 GRIP	54	
3	45432	FRAME, LIFT	2	
4	29796	CLAMP, CUSHIONED LOOP, 1-3/4" DIA. X 1" WIDE	1	
5	45435	PANEL, SIDE	2	
6	021112140	NUT, HEX, NYLOC, M12-1.75	4	
7	45401	FRAME, MAIN	1	
8	9173	SCREW, HHF M12-1.75 X 70 GR 10.9 PATCH	4	
9	45549	SWITCH, FOOT, NORM. OPEN	1	
10	45553	PLATFORM, FRONT	1	
11	45495	PAN, BELLY	1	
12	45423	SHIELD, HEAT	1	
13	23995	SPACER, .50 OD X .206 ID	4	
14	30059	RIVET, POP BH, .187 X .626 - .750 AL/AL	4	
15	45641	BACKING, EMBLEM	1	
16	30029	RIVET, POP BH, .187 X .063 - .125 AL/AL	8	
17	45551	EMBLEM	1	
18	45422	PANEL, FRONT	1	
19	52078	LIFTING STRAP, 3FT-6IN 6200LBS CAP.	2	

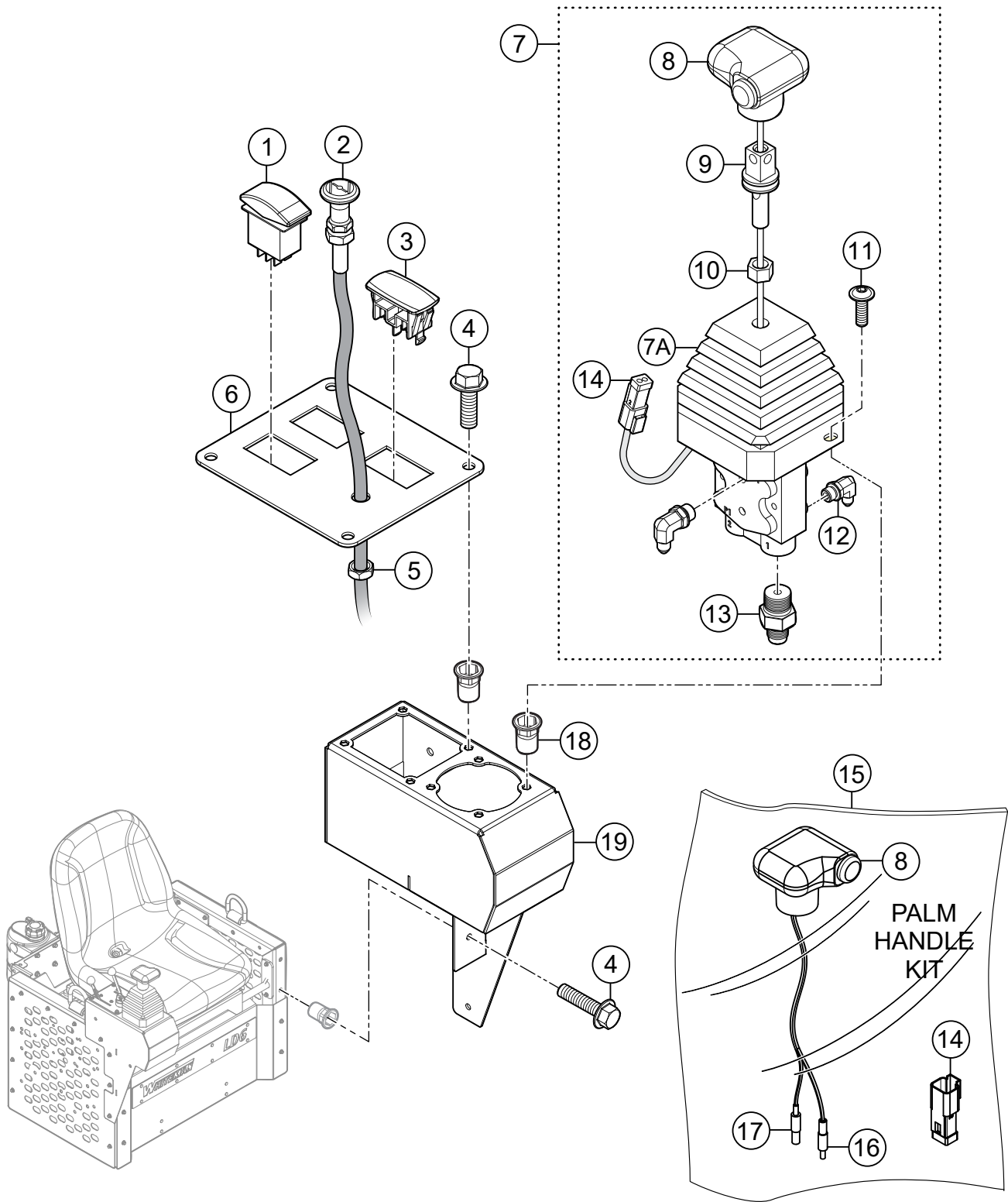
# SEAT FRAME ASSY.



## SEAT FRAME ASSY.

<u>NO.</u>	<u>PART NO.</u>	<u>PART NAME</u>	<u>QTY.</u>	<u>REMARKS</u>
1	21868	ARMREST KIT, MICHIGAN, OPTIONAL .....	1.....	INCLUDES ITEMS W/@
2@	21867	ASSEMBLY, ARMREST, RH, MICHIGAN	1	
3@	21866	ASSEMBLY, ARMREST, LH, MICHIGAN	1	
4@	21869	SCREW, SELF-TAPPING, 5/16-18	6	
5@	45720	INSTRUCTIONS, ARMREST KIT	1	
6	21860	SEAT, BASIC MICHIGAN V-2805 SERIES .....	1.....	NO LONGER AVAILABLE
7	21870	KILL SWITCH, DELTA SYSTEMS 6440-62	1	
8	45425	FRAME, SEAT	1	
10	52099	SEAT STOP CABLE ASSEMBLY	1	
11	21597	BUMPER, STEM 1.0"D X .5S X .31	2	
12	45436	BRACE, SEAT CROSS	1	
13	43724	SCREW, HHFS M6-1.0 X 25MM CLASS 8.8	8	
14	34002	SCREW, HHF 5/16-18 X 1/2", GR 5	4	
15	45428	PLATE, SEAT BEARING	2	
16	45569	CONNECTOR, QUICK RELEASE, .25	2	
17\$	34792	ARMREST KIT, SEARS	1	
18\$	32963-SK	SEAT, ADJUSTABLE W/O ARMS, SEARS .....	1.....	INCLUDES ITEMS W/#
19	32960-SK	SEAT, ADJUSTABLE W/ ARMS, SEARS .....	1.....	INCLUDES ITEMS W/\$
20#\$	32965	SEAT ADJUSTER RH, SEARS	1	
21#\$	32964	SEAT ADJUSTER LH, SEARS	1	
22#\$	32962	KILL SWITCH, SEARS	1	

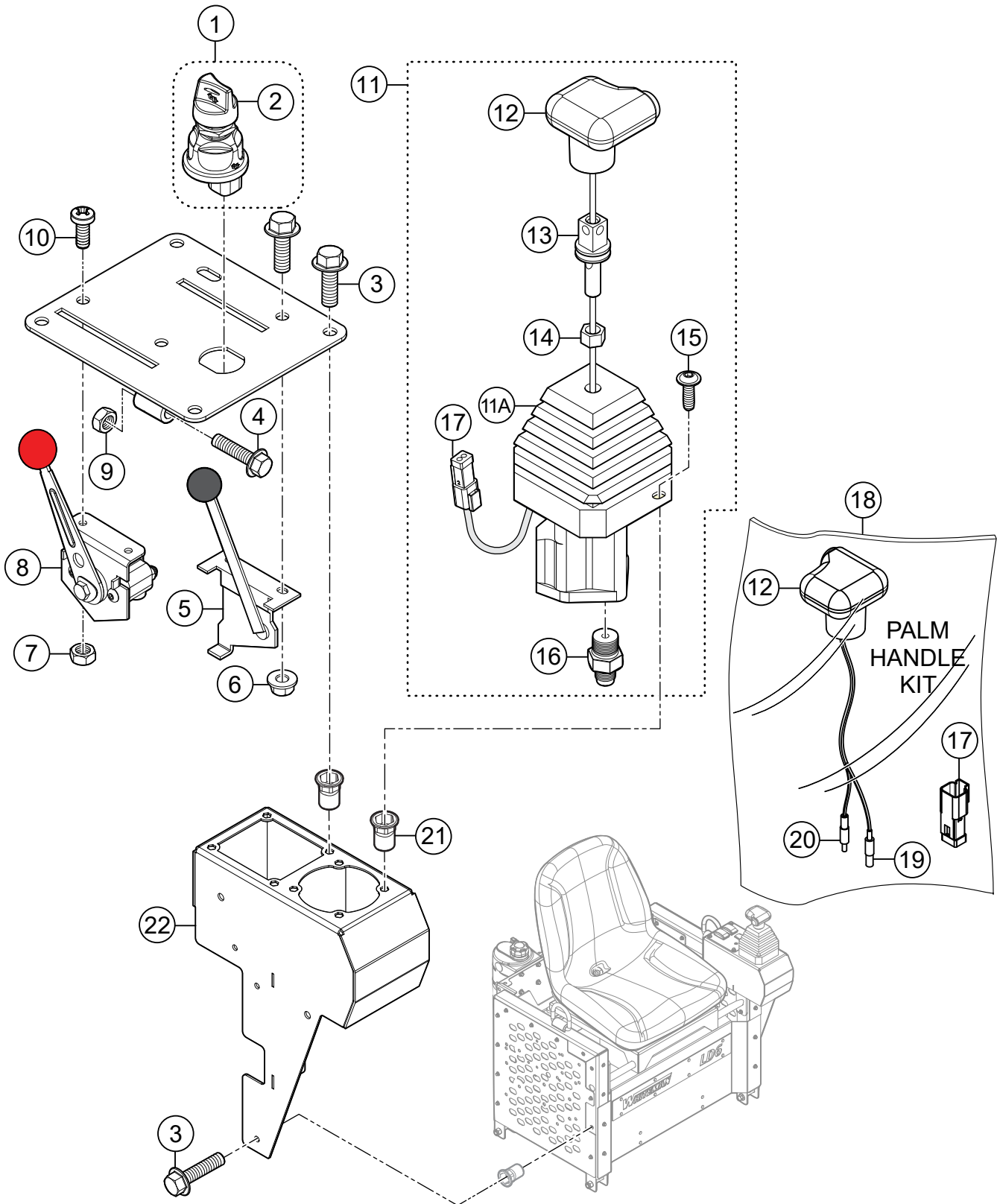
# LEFT-HAND CONTROL BOX ASSY.



## LEFT-HAND CONTROL BOX ASSY.

<u>NO.</u>	<u>PART NO.</u>	<u>PART NAME</u>	<u>QTY.</u>	<u>REMARKS</u>
1	21470	SWITCH, (ON)-OFF-(ON)	2	
2	35280	CABLE, CHOKE 35"	1	
3	42781	PLUG, CONSOLE SWITCH	1	
4	43724	SCREW, HHFS M6-1.0 X 25MM CLASS 8.8	9	
5	2199	NUT, HEX JAM 3/8-24	1	
6	45444	PANEL, SWITCH, LH	1	
7	45437	ASSY., VALVE, LH STEERING W/SWITCH .....	1	INCLUDES ITEMS W/@
7A@	21631	BOOT, STEERING HANDLE	1	
8@#	22001	HANDLE, PALM W/SWITCH, LEFT	2	
9@	21053	ADAPTOR, LH PALM HANDLE	1	
10@	16083	NUT, HEX M12-1.75 NO PLATE	1	
11@	42325	SCREW, BHSC, M6-1.0 X 20, FLANGED	4	
12@	37407	FITTING, 4MJ X 6MO - 90	2	
13@	367470	FITTING, STR 4MJ - 6MO	2	
14@#	37402	CONNECTOR KIT, MALE 2 POSITION	2	
15	20150	KIT, PALM HANDLE W/SWITCH, LEFT .....	1	INCLUDES ITEMS W/#
16#	1318	TERMINAL, BULLET, FEMALE, 18-22	2	
17#	4692	TERMINAL, BULLET, .156 MALE, 14-16 GA	2	
18	42496	NUT, BLIND, HEX, M6-1.0 X 0.7 - 4.2 GRIP	8	
19	45442	STEERING BOX, LH	1	

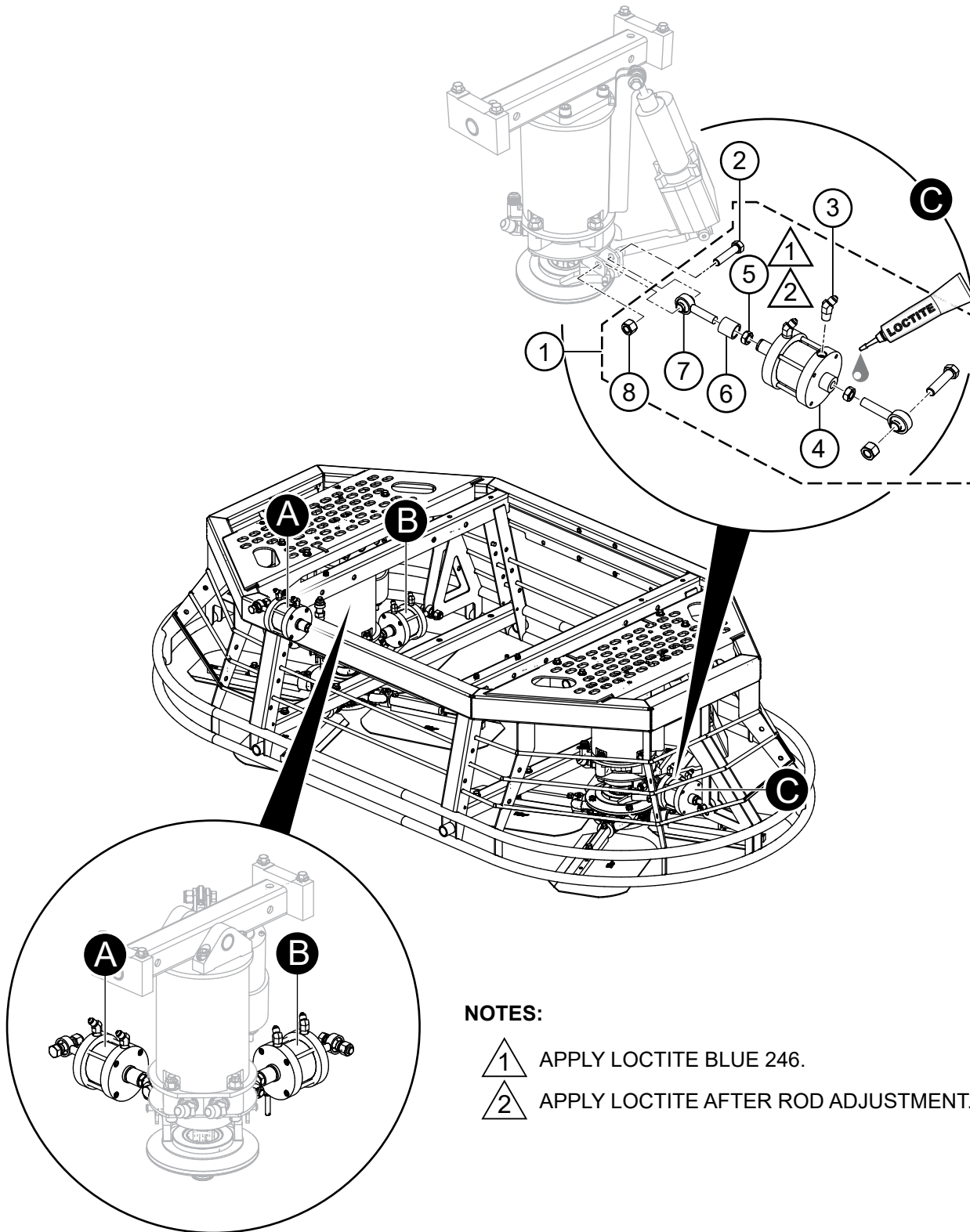
# RIGHT-HAND CONTROL BOX ASSY.



## RIGHT-HAND CONTROL BOX ASSY.

<u>NO.</u>	<u>PART NO.</u>	<u>PART NAME</u>	<u>QTY.</u>	<u>REMARKS</u>
1	23959	SWITCH, IGNITION.....	1.....	INCLUDES ITEMS W/@
2@	23959-01	KEY, IGNITION	1	
3	43724	SCREW, HHFS M6-1.0 X 25MM	10	
4	42354	SCREW HFS, M6-1.0 X 35 CLASS 8.8	1	
5	15168	HANDLE ASSY., CONTROL, W/KNOB	1	
6	42352	NUT, HEX, SERRATED-FLANGE, M6-1.0	2	
7	10019	NUT, NYLOC 10-32	2	
8	45498	LEVER, SPEED CONTROL	1	
9	17113	NUT, HEX FINISH M6-1.00 ZN	1	
10	5065 B	SCREW, PHP 10-32 X 1/2"	2	
11	45438	VALVE ASSY., RH STEERING W/SWITCH.....	1.....	INCLUDES ITEMS W/#
11A#	21631	BOOT, STEERING HANDLE	1	
12#+	12999	HANDLE, PALM W/SWITCH, RIGHT	2	
13#	20834	ADAPTOR, RH PALM HANDLE	1	
14#	16083	NUT, HEX M12-1.75 NO PLATE	1	
15#	42325	SCREW, BHSC, M6-1.0 X 20, FLANGED	4	
16#	367470	FITTING, STR 4MJ - 6MO	6	
17#+	37402	CONNECTOR KIT, MALE 2 POSITION	2	
18	20155	KIT, PALM HANDLE W/SWITCH, RIGHT.....	1.....	INCLUDES ITEMS W/+
19+	4692	TERMINAL, BULLET, .156 MALE, 14-16 GA	2	
20+	1318	TERMINAL, BULLET, FEMALE, 18-22	2	
21	42496	NUT, BLIND, HEX, M6-1.0 X 0.7 - 4.2 GRIP	8	
22	45439	STEERING BOX, RH	1	

# HYDRAULIC STEERING ASSY.

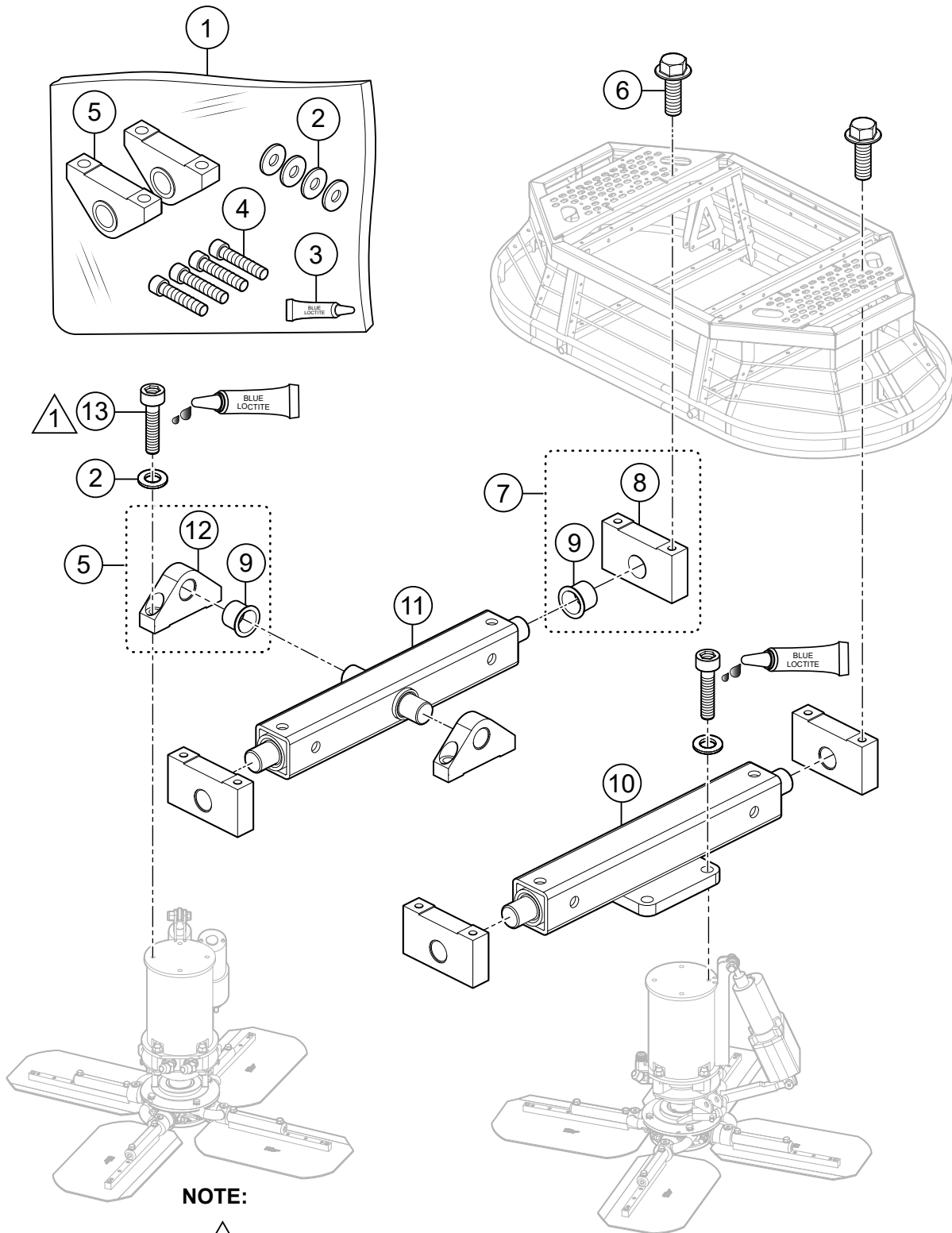


## HYDRAULIC STEERING ASSY.

---

<u>NO.</u>	<u>PART NO.</u>	<u>PART NAME</u>	<u>QTY.</u>	<u>REMARKS</u>
1	45457	CYLINDER ASSY., HYD. STEERING.....	3	INCLUDES ITEMS W/@
2@	13178	SCREW, HHC 1/2-13 X 2-1/4"	6	
3@	45466	FITTING, 4MJ-4MP 45°	6	
4@	45585	MQ CYLINDER, 2.5" BORE X 1.5" STR X 0.75"	3	
5@	11146	NUT, HEX JAM 1/2-20 PLATED	6	
6@	23261	SPACER, STEERING CYLINDER	3	
7@	21944	ROD END, 1/2-20 M RH W/CUSTOM BALL	6	
8@	10176	NUT, NYLOC 1/2-13	6	

# PIVOT ASSY.

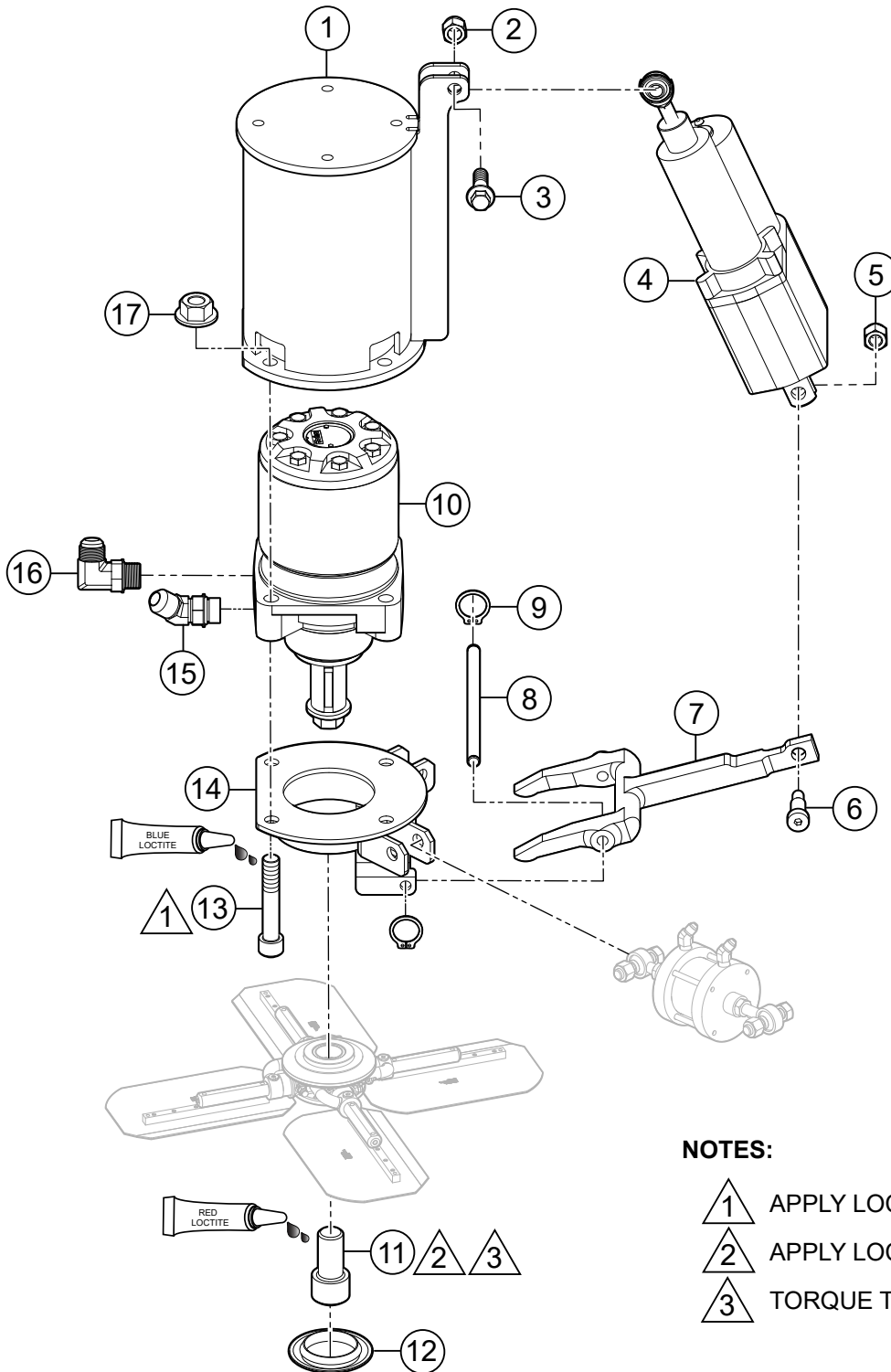


## PIVOT ASSY.

---

<u>NO.</u>	<u>PART NO.</u>	<u>PART NAME</u>	<u>QTY.</u>	<u>REMARKS</u>
1	42280-SK	KIT, BLOCK MOTOR MOUNT 2 DOF PIVOT.....	1	INCLUDES ITEMS W/@
2@	43180	WASHER, FLAT M12, DIN 433	12	
3@	1477	LOCTITE 242 BLUE .5CC	1	
4@	43181	SCREW, SHC M12 X 60, DIN912, GR 12.9	4	
5@	42280	ASSY., BLOCK, MOTOR MOUNT 2 DOF PIVOT.....	4	INCLUDES ITEMS W/#
6	32976	SCREW, HFS M10-1.5 X 25 CLASS 10.9	8	
7	43152	PIVOT BLOCK ASSY., MOTOR MOUNT W/BUSHING.....	4	INCLUDES ITEMS W/+
8+	43151	PIVOT BLOCK, MOTOR MOUNT	1	
9#+	10221	BUSHING, GLIDE IGUS #TFI-1618-16	8	
10	45566	TRUNNION, SOF, W/A	1	
11	45560	TRUNNION, DOF, W/A	1	
12#	3942280	PIVOT BLOCK, MOTOR MOUNT	4	
13	17105	SCREW, SHC M12-1.75 X 35 SS, DIN912	8	

# LEFT-SIDE HYDRAULIC MOTOR ASSY.



## NOTES:

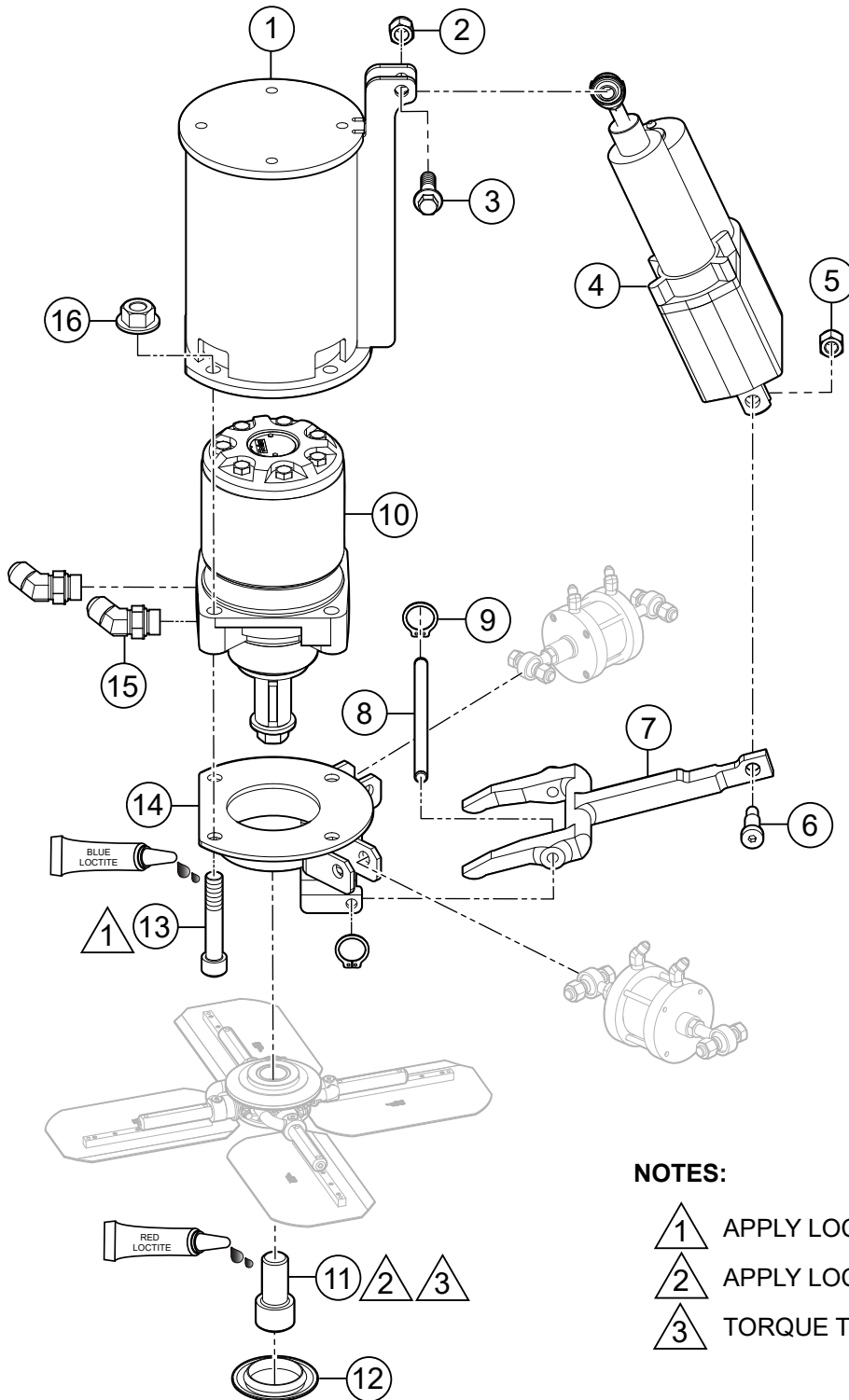
- 1 APPLY LOCTITE BLUE 246.
- 2 APPLY LOCTITE RED 272.
- 3 TORQUE TO 175 LBF-FT (237 N·M).

## **LEFT-SIDE HYDRAULIC MOTOR ASSY.**




---

<u>NO.</u>	<u>PART NO.</u>	<u>PART NAME</u>	<u>QTY.</u>	<u>REMARKS</u>
1	45452	HOUSING W/A, UPPER ROTOR	1	
2	021112140	NUT, HEX, NYLOC, M12-1.75	1	
3	42351	SCREW, HFS, ZP, M12-1.75 X 40, CLASS 8.8	1	
4	45497	ACTUATOR, LINEAR, PA-17, 2"	1	
5	10133	NUT, NYLOC 3/8-16	1	
6	2527	SCREW, SHC, SHOULDER, 1/2 X 1, 3/8-16	1	
7	45496	YOKE	1	
8	20801	PIN, YOKE	1	
9	20802	RING, SNAP, TRUARC 5100-37	2	
10	45468	MOTOR, HYDRAULIC, TG, 360 CC	1	
11	43760	SCREW, SHC 5/8-18 X 1.25	1	
12	45494	PLUGCAP, BOTTOM SPIDER, 1.00"	1	
13	17332	SCREW, SHC M12-1.75 X 70 SS, DIN912	4	
14	45555	HOUSING, LOWER ROTOR, W/A	1	
15	16336	FITTING, 45 10MJ-10MO	1	
16	3322	FITTING, 90 10MJ-10MO	1	
17	42451	NUT, HEX, SERRATED-FLANGE, M12-1.75	4	

# RIGHT-SIDE HYDRAULIC MOTOR ASSY.



## NOTES:

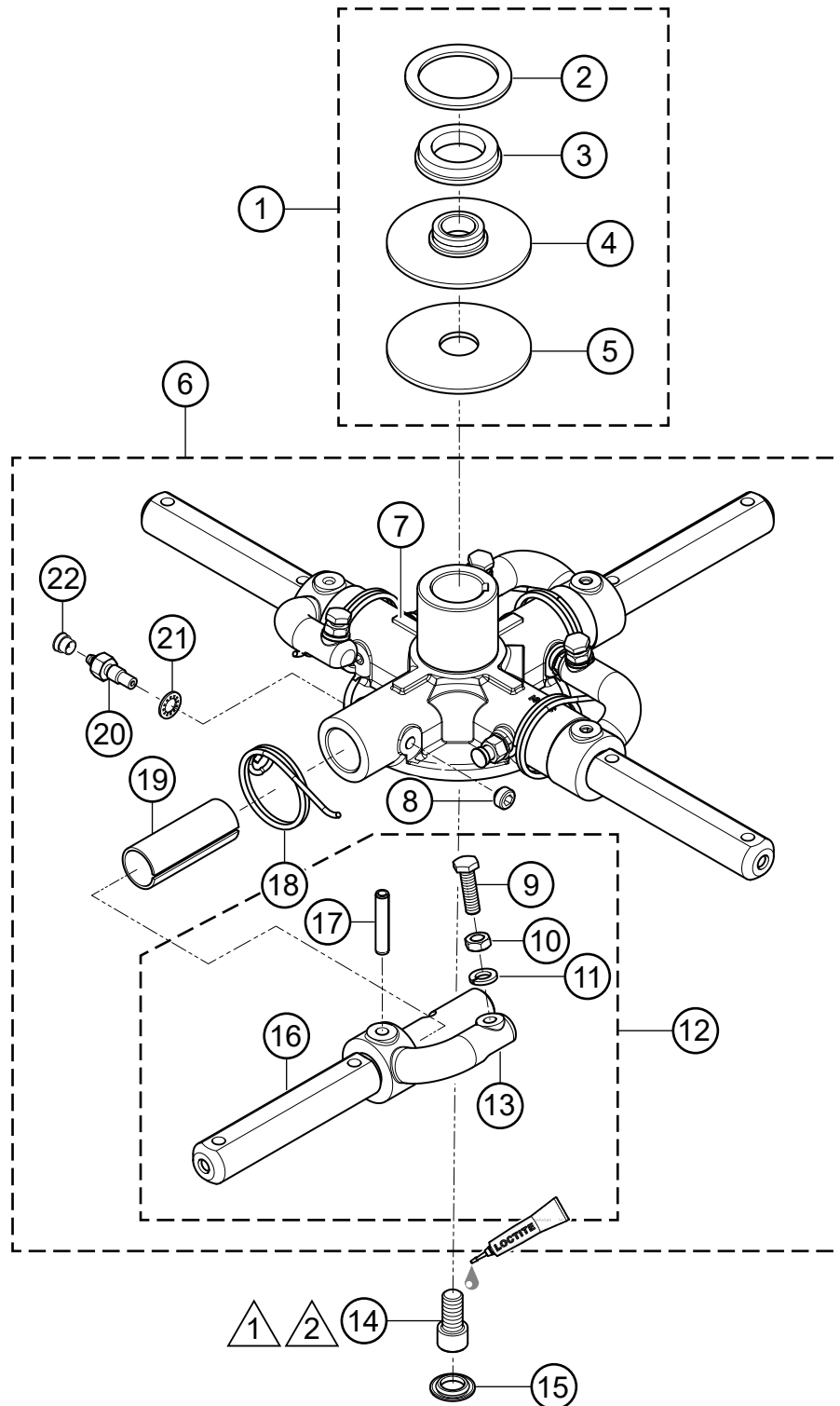
-  APPLY LOCTITE BLUE 246.
-  APPLY LOCTITE RED 272.
-  TORQUE TO 175 LBF-FT (237 N·M).

## **RIGHT-SIDE HYDRAULIC MOTOR ASSY.**

---

<u>NO.</u>	<u>PART NO.</u>	<u>PART NAME</u>	<u>QTY.</u>	<u>REMARKS</u>
1	45452	HOUSING W/A, UPPER ROTOR	1	
2	021112140	NUT, HEX, NYLOC, M12-1.75	1	
3	42351	SCREW, HFS, ZP, M12-1.75 X 40, CLASS 8.8	1	
4	45497	ACTUATOR, LINEAR, PA-17, 2"	1	
5	10133	NUT, NYLOC 3/8-16	1	
6	2527	SCREW, SHC, SHOULDER, 1/2 X 1, 3/8-16	1	
7	45496	YOKE	1	
8	20801	PIN, YOKE	1	
9	20802	RING, SNAP, TRUARC 5100-37	2	
10	45468	MOTOR, HYDRAULIC, TG, 360 CC	1	
11	43760	SCREW, SHC 5/8-18 X 1.25	1	
12	45494	PLUGCAP, BOTTOM SPIDER, 1.00"	1	
13	17332	SCREW, SHC M12-1.75 X 70 SS, DIN912	4	
14	45555	HOUSING, LOWER ROTOR, W/A	1	
15	16336	FITTING, 45 10MJ-10MO	2	
16	42451	NUT, HEX, SERRATED-FLANGE, M12-1.75	4	

# LEFT-SIDE SPIDER ASSY.



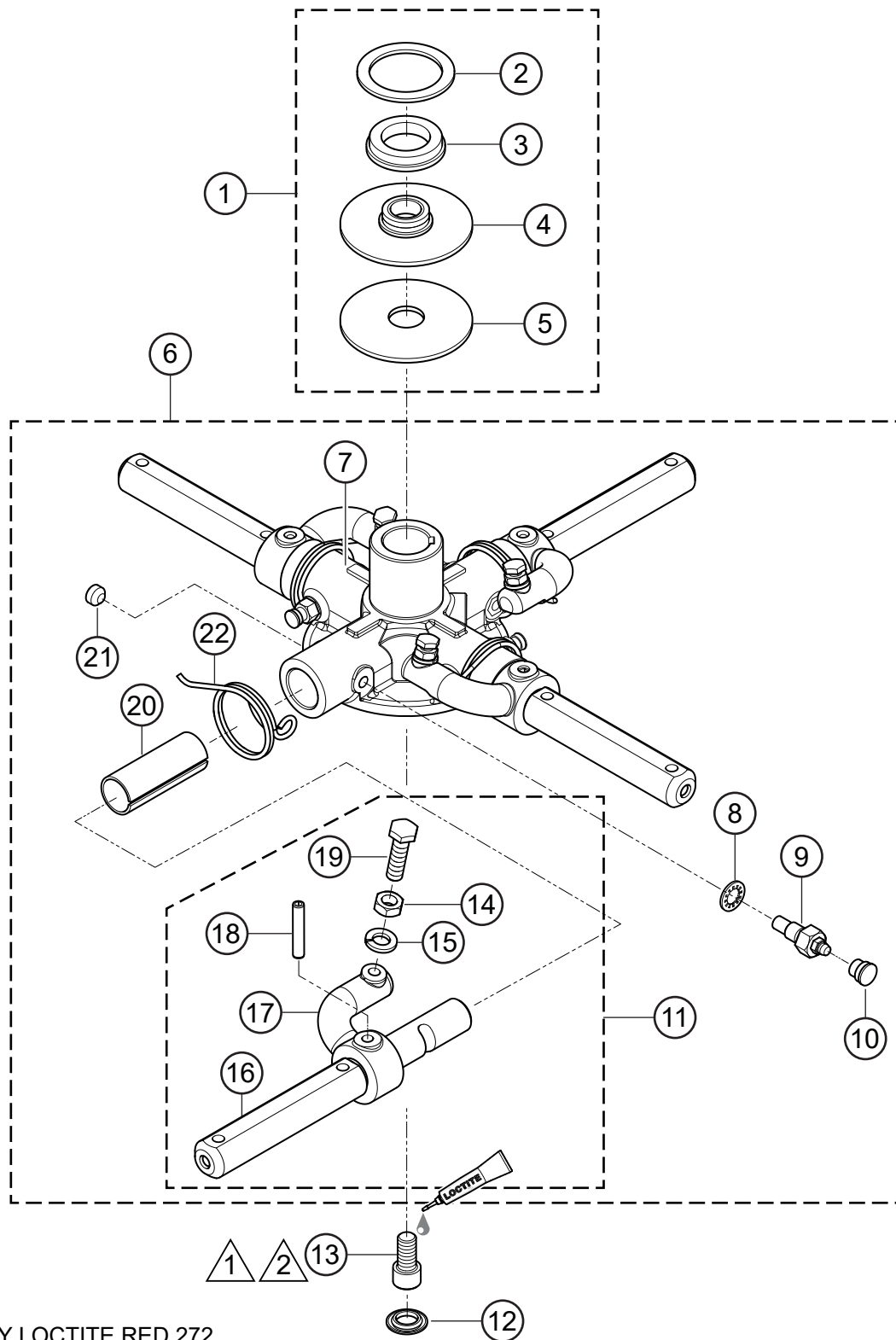
## NOTES:

- 1 APPLY LOCTITE RED 272.
- 2 TORQUE TO 175 LBF·FT (237 N·M).

## LEFT-SIDE SPIDER ASSY.

<u>NO.</u>	<u>PART NO.</u>	<u>PART NAME</u>	<u>QTY.</u>	<u>REMARKS</u>
1	10968	THRUST ASSEMBLY.....	1.....	INCLUDES ITEMS W/@
2@	12208	WEAR RING, SEALED BEARING	1	
3@	12778	BEARING, 65MM X 100MM, FLANGED	1	
4@	10793	ASSY., THRUST COLLAR	1	
5@	1154 A	PLATE, WEAR THRUST COLLAR	1	
6	45462	SPIDER ASSY., 4BLD LH.....	1.....	INCLUDES ITEMS W/#
7#	45568	SPIDER PLATE, 1-1/4 SHAFT 4BLD	1	
8#	11602	SCREW, SHS 3/8-16 X 1/4"	4	
9#+	0164 B	SCREW, TROWEL ADJUSTMENT 3/8-16	4	
10#+	1876	NUT, HEX JAM 3/8-16 CLASS 2B	4	
11#+	0166 A	WASHER, LOCK, 3/8" MED.	4	
12#	45459	TROWEL ARM ASSY., LH.....	4.....	INCLUDES ITEMS W/+
13#+	1163	LEVER, TROWEL ARM, RIGHT HAND	4	
14	43760	SCREW, SHC 5/8-18 X 1.25"	1	
15	45494	PLUGCAP, BOTTOM SPIDER, 1.00"	1	
16#+	2826	ARM, TROWEL	4	
17#+	4164	PIN, SLOTTED SPRING, 5/16 X 1-3/4" NP	4	
18#	1316	SPRING, LS ARM RETURN	4	
19#	1157 A	BUSHING, TROWEL ARM	4	
20#	1322	SCREW ASSY., TROWEL ARM RETAINING	4	
21#	1875	WASHER, INT. SHKP, 3/8"	4	
22#	1162 A	CAP, GREASE ZERK, #2 YELLOW	4	

# RIGHT-SIDE SPIDER ASSY.



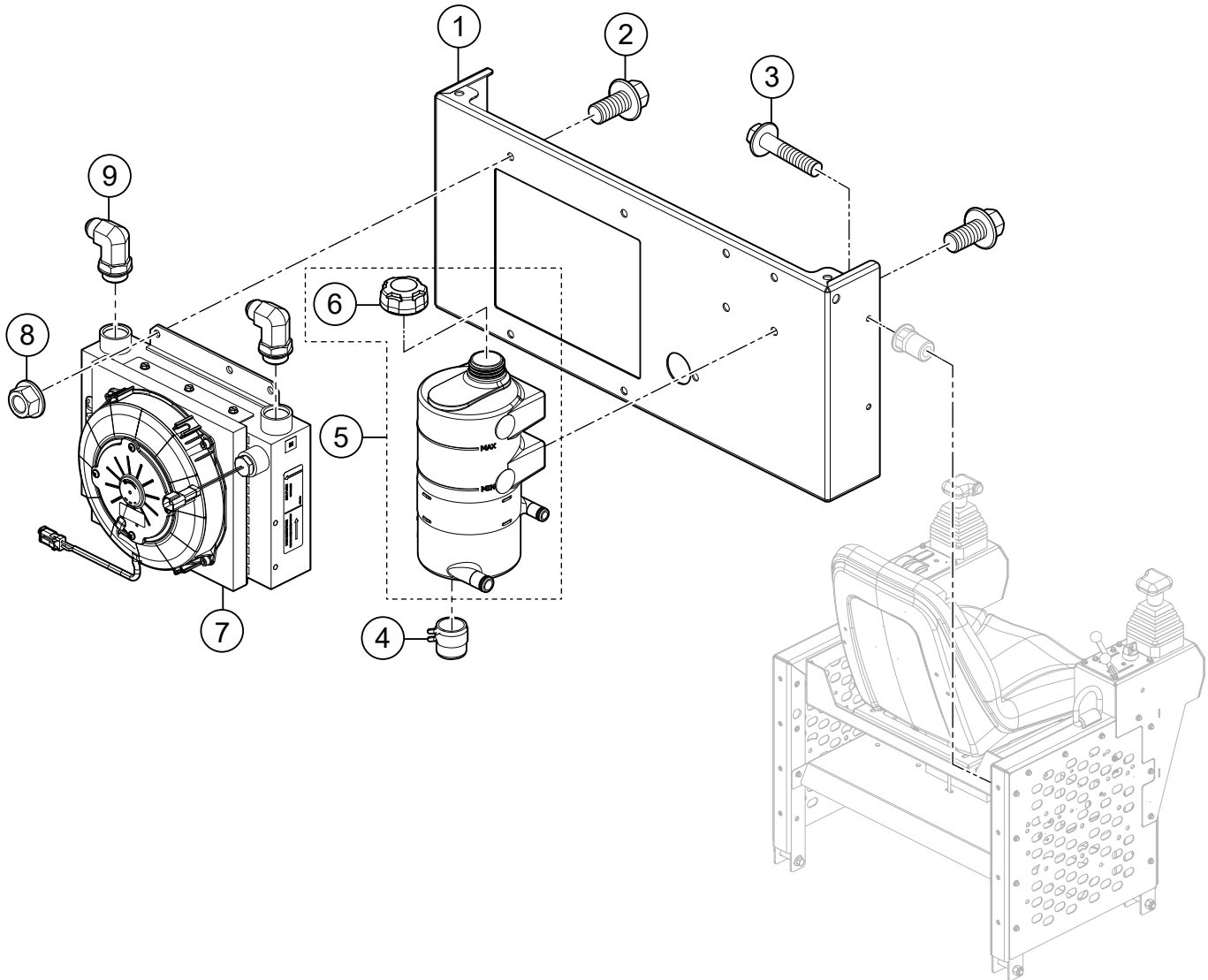
## NOTES:

- 1 APPLY LOCTITE RED 272.
- 2 TORQUE TO 175 LBF-FT (237 N·M).

## RIGHT-SIDE SPIDER ASSY.

<u>NO.</u>	<u>PART NO.</u>	<u>PART NAME</u>	<u>QTY.</u>	<u>REMARKS</u>
1	10968	THRUST ASSEMBLY.....	1.....	INCLUDES ITEMS W/@
2@	12208	WEAR RING, SEALED BEARING	1	
3@	12778	BEARING, 65MM X 100MM, FLANGED	1	
4@	10793	ASSY., THRUST COLLAR	1	
5@	1154 A	PLATE, WEAR THRUST COLLAR	1	
6	45461	SPIDER ASSY., 4BLD RH .....	1.....	INCLUDES ITEMS W/#
7#	45568	SPIDER PLATE, 1-1/4" SHAFT 4BLD	1	
8#	1875	WASHER, INT. SHKP, 3/8"	4	
9#	1322	SCREW ASSY., TROWEL ARM RETAINING	4	
10#	1162 A	CAP, GREASE ZERK, #2 YELLOW	4	
11#	45460	TROWEL ARM ASSY., RH.....	4.....	INCLUDES ITEMS W/+
12	45494	PLUGCAP, BOTTOM SPIDER, 1.00"	1	
13	43760	SCREW, SHC 5/8-18 X 1.25"	1	
14#+	1876	NUT, HEX JAM 3/8-16 CLASS 2B	4	
15#+	0166 A	WASHER, LOCK, 3/8" MED.	4	
16#+	2826	ARM, TROWEL	4	
17#+	1555	LEVER TROWEL ARM, LEFT HAND	4	
18#+	4164	PIN, SLOTTED SPRING, 5/16 X 1-3/4" NP	4	
19#+	0164 B	SCREW, TROWEL ADJUSTMENT 3/8-16	4	
20#	1157 A	BUSHING, TROWEL ARM	4	
21#	11602	SCREW, SHS 3/8-16 X 1/4"	1	
22#	1317	SPRING, RS ARM RETURN	4	

# HYDRAULIC TANK AND COOLER ASSY.

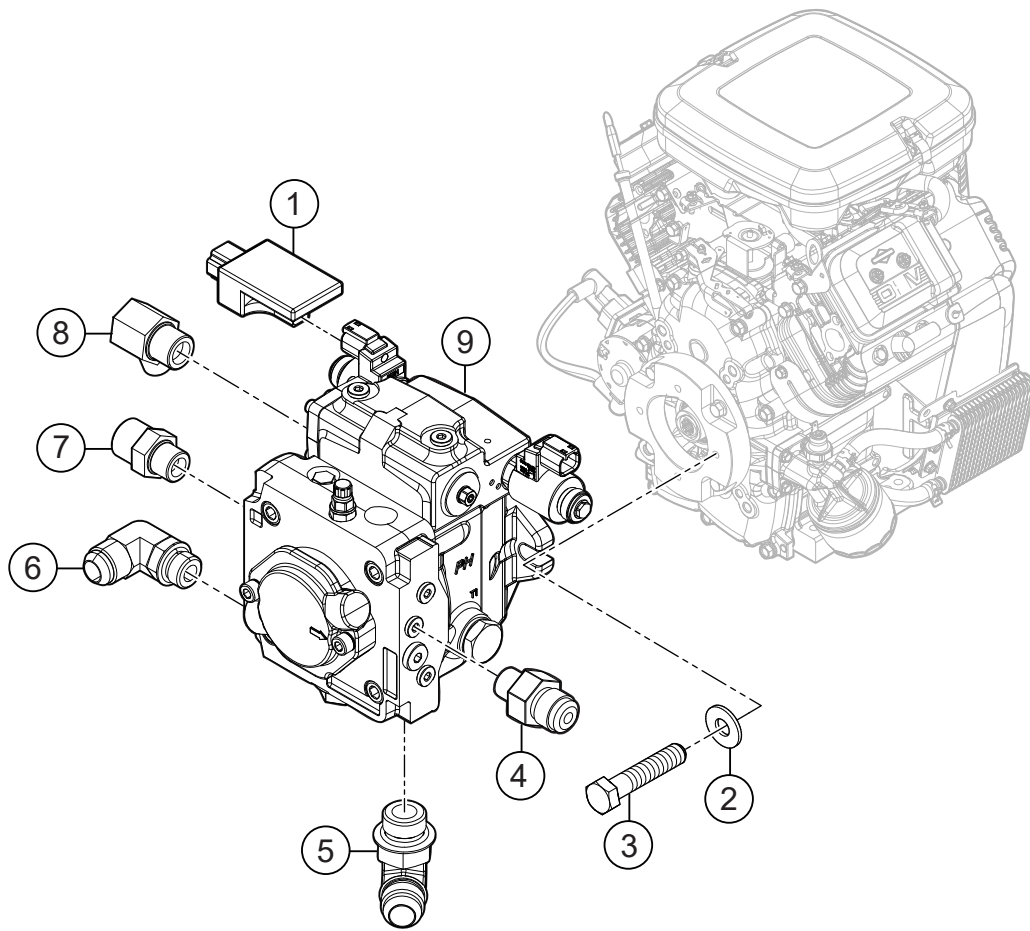


## **HYDRAULIC TANK AND COOLER ASSY.**

---

<u>NO.</u>	<u>PART NO.</u>	<u>PART NAME</u>	<u>QTY.</u>	<u>REMARKS</u>
1	45419	BRACKET, HYD COOLER	1	
2	42342	SCREW, HHFS, M8-1.25 X 16 GR 8.8	8	
3	43724	SCREW, HHFS M6-1.0 X 25MM	4	
4	45645	CAP, 8GPM CYCLONE, DRAIN	1	
5	45132	CYCLONE, HYD. RESERVOIR 8 GPM.....	1.....	INCLUDES ITEMS W/@
6@	45132-01	RESERVOIR CAP	1	
7	45326	HEAT EXCHANGER, HYDRAULIC	1	
8	23802	NUT, HEX FLANGE M8-1.25 SERRATED	4	
9	22145	FITTING, 90 -12MO X- 10MJ	2	

# HYDRAULIC PUMP ASSY.

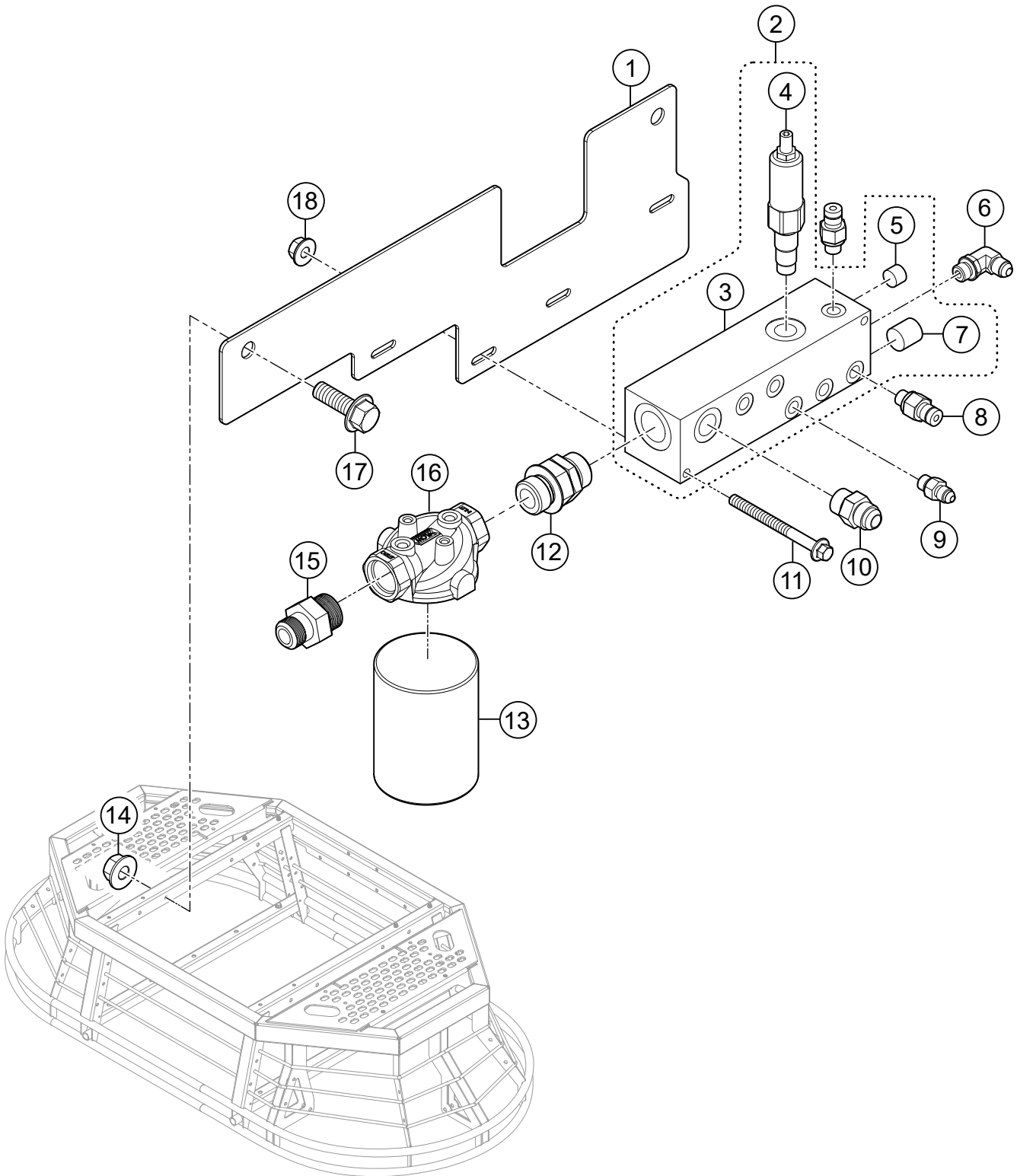


## HYDRAULIC PUMP ASSY.

---

<u>NO.</u>	<u>PART NO.</u>	<u>PART NAME</u>	<u>QTY.</u>	<u>REMARKS</u>
1	45548-SK	VALVE DRIVER	1	
2	933242	WASHER, FLAT SAE 3/8" GRD 9 YZ	2	
3	915107	SCREW, HHC 3/8-16 X 1-1/4" GR8	2	
4	11887	FITTING, STR 6MJ-4MO	1	
5	45626	FITTING, 90 -12MO X -12MJ	1	
6	45576	FITTING, 10MJICX-8MORB	1	
7	16587	FITTING,STR 10MJ X 8MO	1	
8	26010	FITTING, 90 -10MOX-8MJ	1	
9	45465-SK	SERVICE KIT, PUMP, HYDRAULIC	1	

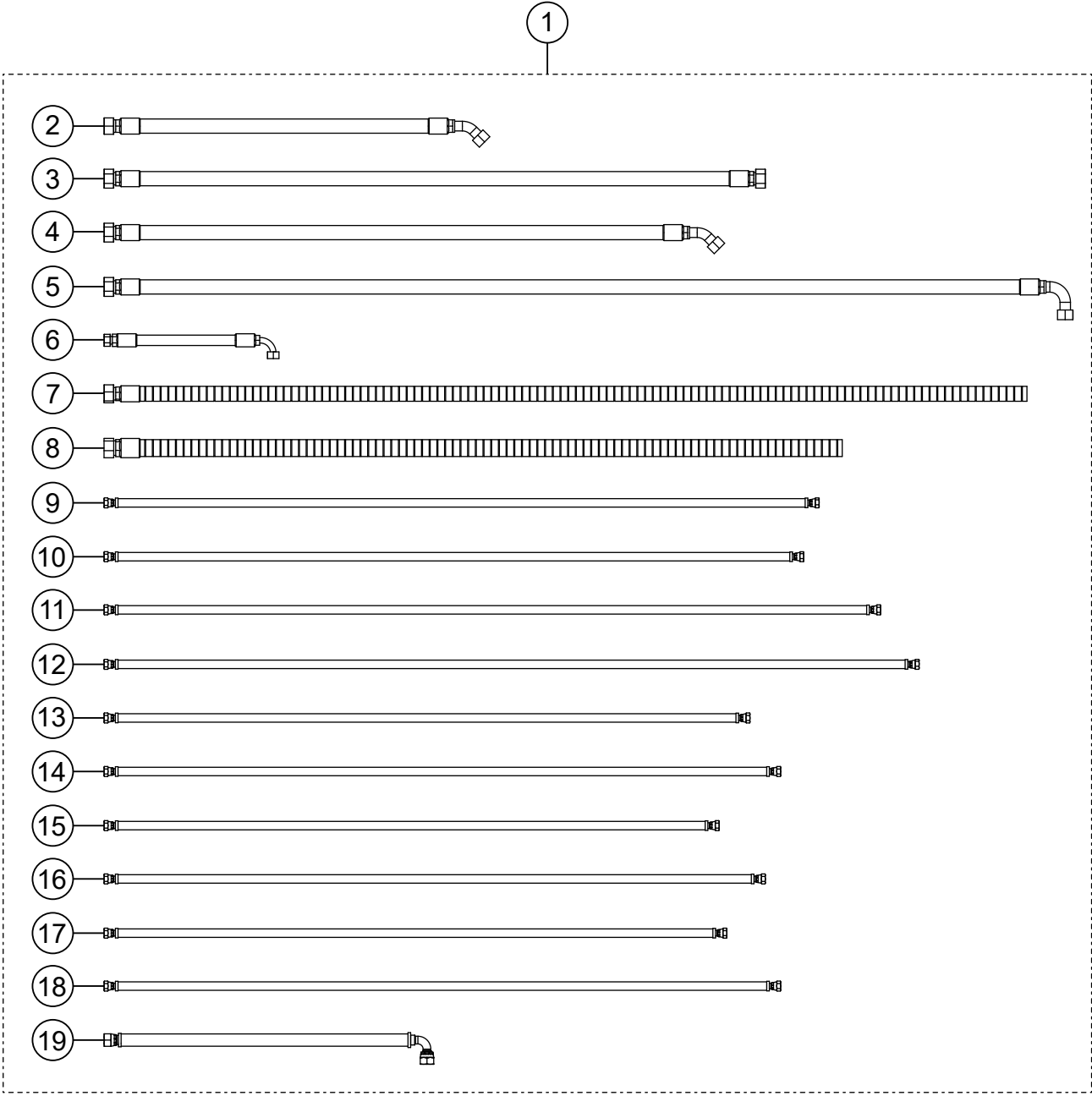
# HYDRAULIC FILTER AND MANIFOLD ASSY.



## HYDRAULIC FILTER AND MANIFOLD ASSY.

<u>NO.</u>	<u>PART NO.</u>	<u>PART NAME</u>	<u>QTY.</u>	<u>REMARKS</u>
1	45554	BRACKET, HYD. MANIFOLD	1	
2	45649	VALVE ASSY., STEERING HIC .....	1	INCLUDES ITEMS W/@
3@	45598	MANIFOLD, RETURN/STEERING	1	
4@	45467	VALVE ASSY., PRESSURE REDUCTION, STEERING	1	
5@	45643	FITTING, PLUG 1/16MP HEX SKT HD	1	
6	11722	FITTING, 90 6MJ-6MO	1	
7@	2113	FITTING, PLUG 1/8MP HEX SKT HD	1	
8	12546	FITTING, QD 4MO DIAGN PARKER PD341	2	
9	21095	FITTING, STR 4MJ - 4MO	4	
10	11749	FITTING, STR 8MJ-8MO	1	
11	42929	SCREW, HHFS M6-1.0 X 65	2	
12	45578	FITTING, STR, 12MORB X 12MORB	1	
13	45644	FILTER, 10 MICRON, SCHROEDER PZ10	1	
14	42451	NUT, HEX, SERRATED-FLANGE, M12-1.75	2	
15	21096	FITTING, STR 10MJ-12MO	1	
16	45624	HOUSING, FILTER, SAE-12 INLINE	1	
17	34317	SCREW, HHFS M12-1.75 X 20	2	
18	42352	NUT, HEX, SERRATED-FLANGE, M6 -1.0	2	

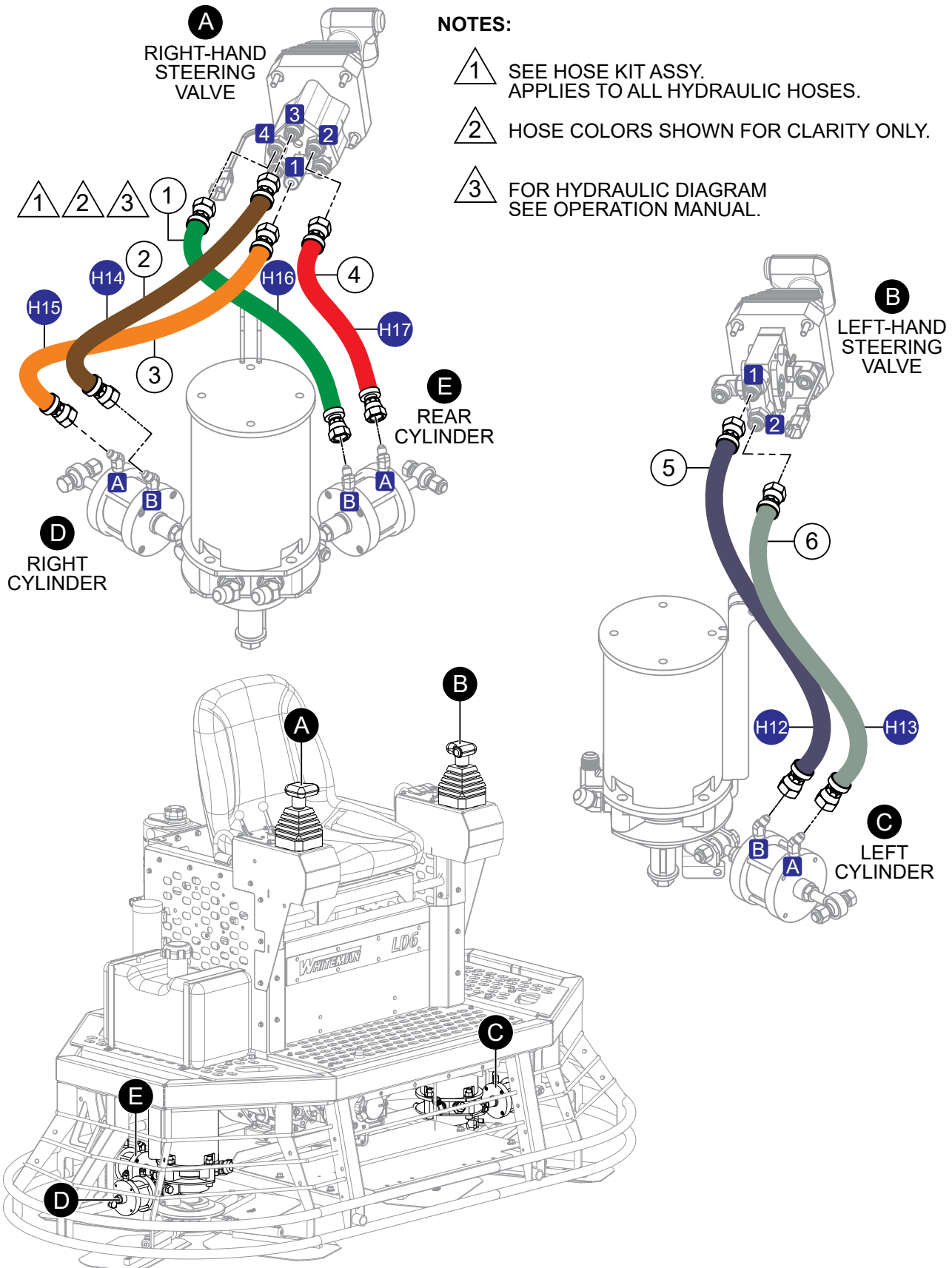
# HYDRAULIC HOSE KIT ASSY. (COMPLETE)



## HYDRAULIC HOSE KIT ASSY. (COMPLETE)

<u>NO.</u>	<u>PART NO.</u>	<u>PART NAME</u>	<u>QTY.</u>	<u>REMARKS</u>
1	45383	HOSE KIT ASSEMBLY .....	1.....	INCLUDES ITEMS W/@
2@	45384	HOSE ASSY., 5/8" X 24.75", -10FJIC X -10FJIC45 .....	1.....	HOSE 1
3@	45385	HOSE ASSY., 5/8" X 43", -10FJIC X -10FJIC .....	1.....	HOSE 2
4@	45386	HOSE ASSY., 5/8" X 40", -10FJIC X -10FJIC45 .....	1.....	HOSE 3
5@	45391	HOSE ASSY., 5/8" X 60.5", -10FJIC X -10FJIC .....	1.....	HOSE 4
6@	45588	HOSE ASSY., 1/4" X 45.5", -4FJIC X -4FJIC .....	1.....	HOSE 5
7@	45390	HOSE ASSY., 5/8" X 60", -10FJIC .....	1.....	HOSE 6
8@	45389	HOSE ASSY., 3/4" X 48", -12FJIC .....	1.....	HOSE 7
9@	45398	HOSE ASSY., 1/4" X 46.5", -4FJIC X -4FJIC .....	1.....	HOSE 8
10@	45388	HOSE ASSY., 3/8" X 11", -6FJIC X -6FJIC .....	1.....	HOSE 9
11@	45395	HOSE ASSY., 1/4" X 50.5", -4FJIC X -4FJIC .....	1.....	HOSE 10
12@	45396	HOSE ASSY., 1/4" X 53", -4FJIC X -4FJIC .....	1.....	HOSE 11
13@	45394	HOSE ASSY., 1/4" X 42", -4FJIC X -4FJIC .....	1.....	HOSE 12
14@	45397	HOSE ASSY., 1/4" X 44", -4FJIC X -4FJIC .....	1.....	HOSE 13
15@	45589	HOSE ASSY., 3/4" X 48", -12FJIC .....	1.....	HOSE 14
16@	45393	HOSE ASSY., 1/4" X 43", -4FJIC X -4FJIC .....	1.....	HOSE 15
17@	45399	HOSE ASSY., 1/4" X 40.5", -4FJIC X -4FJIC .....	1.....	HOSE 16
18@	45392	HOSE ASSY., 1/4" X 44", -4FJIC X -4FJIC .....	1.....	HOSE 17
19@	45387	HOSE ASSY., 1/2" X 21", -8FJIC X -8FJIC90 .....	1.....	HOSE 18

# HYDRAULIC HOSE ASSY. (HYD. STEERING CYLINDERS)

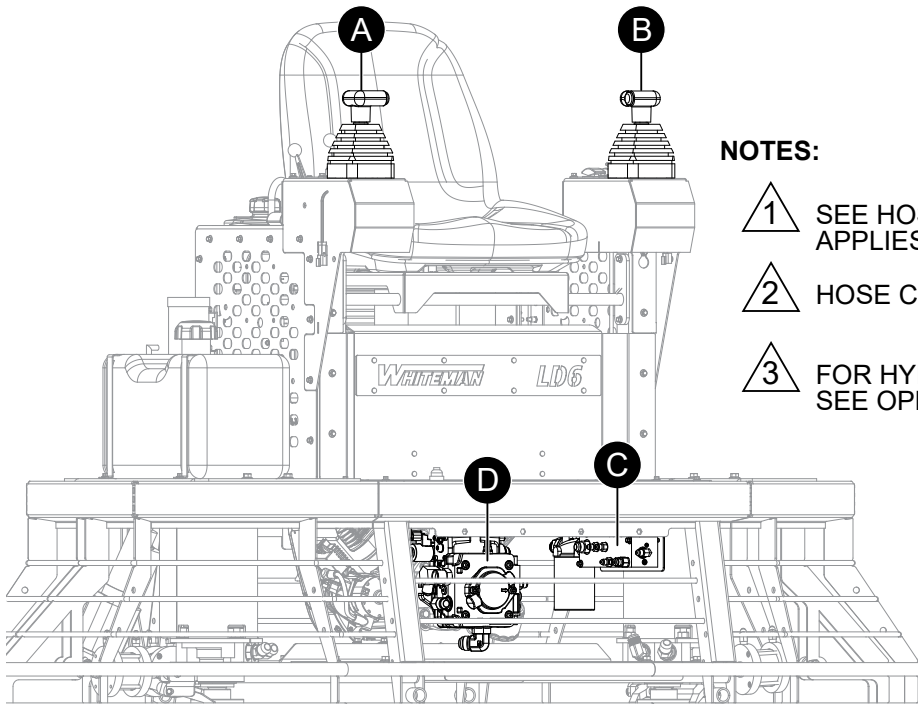
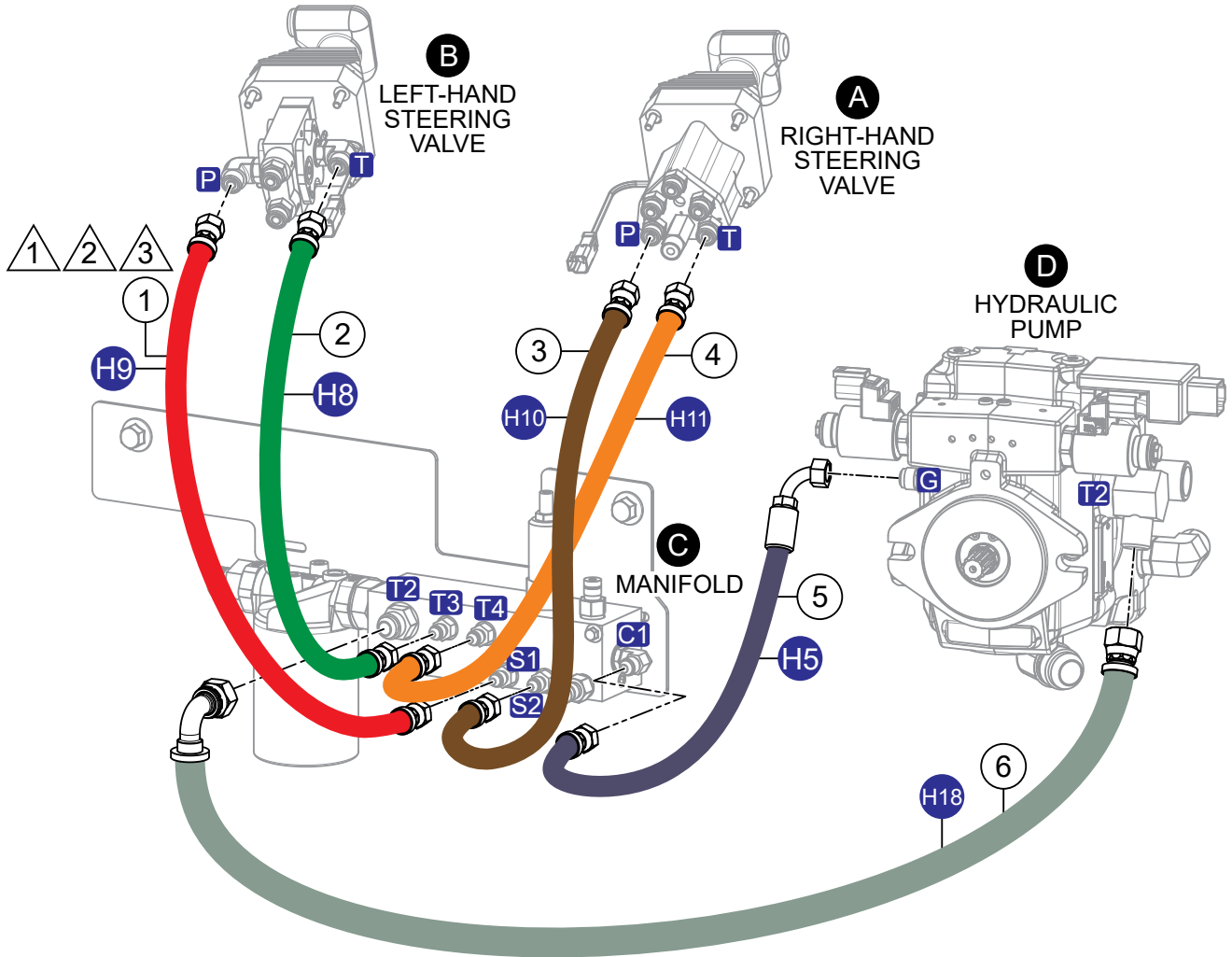


## HYDRAULIC HOSE ASSY. (HYD. STEERING CYLINDERS)

---

<u>NO.</u>	<u>PART NO.</u>	<u>PART NAME</u>	<u>QTY.</u>	<u>REMARKS</u>
1	45399	HOSE ASSY., 1/4" X 40.5", -4FJIC X -4FJIC.....	1.....	HOSE 16
2	45589	HOSE ASSY., 3/4" X 48", -12FJIC.....	1.....	HOSE 14
3	45393	HOSE ASSY., 1/4" X 43", -4FJIC X -4FJIC.....	1.....	HOSE 15
4	45392	HOSE ASSY., 1/4" X 44", -4FJIC X -4FJIC.....	1.....	HOSE 17
5	45394	HOSE ASSY., 1/4" X 42", -4FJIC X -4FJIC.....	1.....	HOSE 12
6	45397	HOSE ASSY., 1/4" X 44", -4FJIC X -4FJIC.....	1.....	HOSE 13

# HYDRAULIC HOSE ASSY. (MANIFOLD)



**NOTES:**

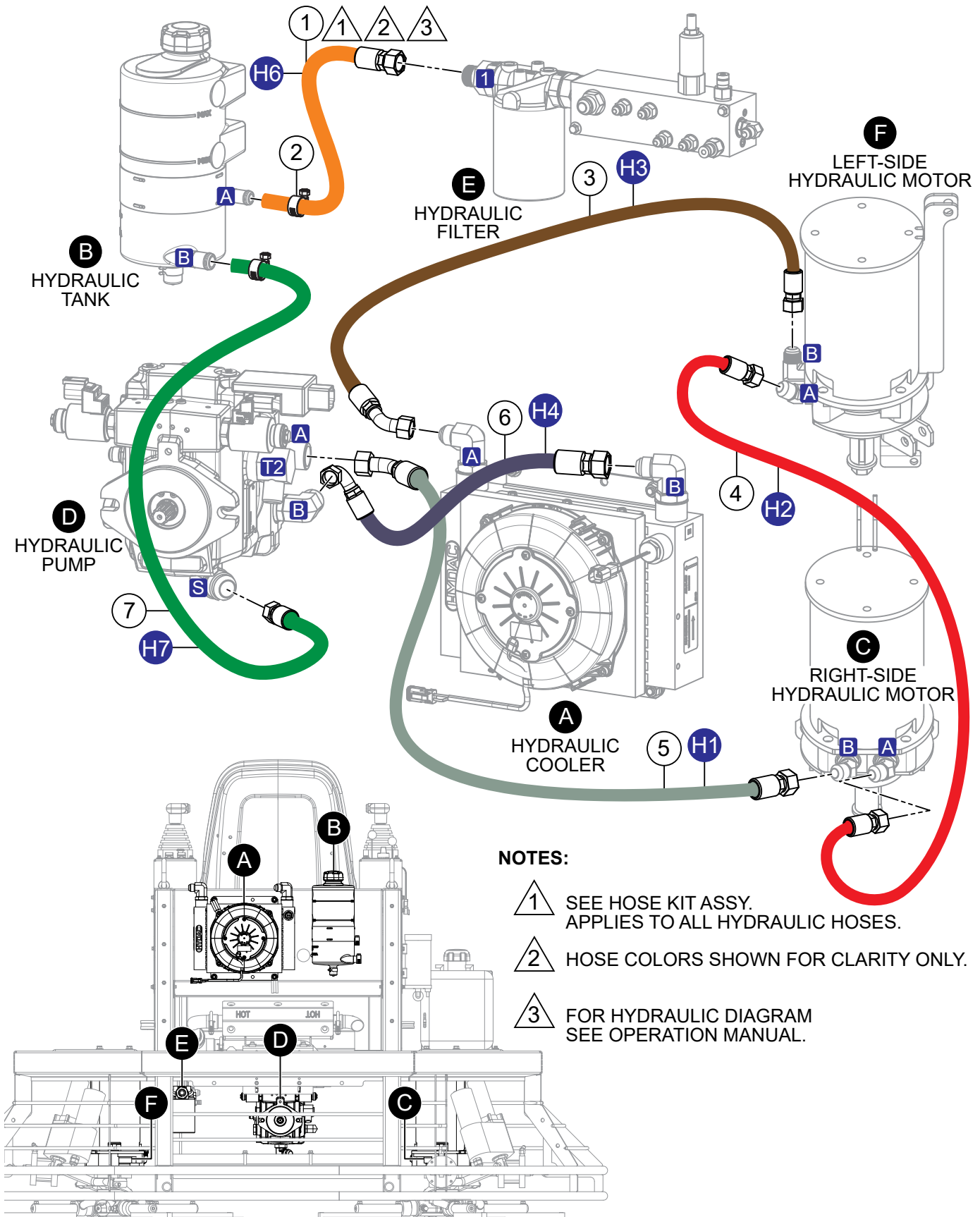
- ① SEE HOSE KIT ASSY. APPLIES TO ALL HYDRAULIC HOSES.
- ② HOSE COLORS SHOWN FOR CLARITY ONLY.
- ③ FOR HYDRAULIC DIAGRAM SEE OPERATION MANUAL.

## **HYDRAULIC HOSE ASSY. (MANIFOLD)**

---

<u>NO.</u>	<u>PART NO.</u>	<u>PART NAME</u>	<u>QTY.</u>	<u>REMARKS</u>
1	45388	HOSE ASSY., 1/4" X 45.5", -4FJIC X -4FJIC.....	1.....	HOSE 9
2	45398	HOSE ASSY., 1/4" X 46.5", -4FJIC X -4FJIC.....	1.....	HOSE 8
3	45395	HOSE ASSY., 1/4" X 50.5", -4FJIC X -4FJIC.....	1.....	HOSE 10
4	45396	HOSE ASSY., 1/4" X 53", -4FJIC X -4FJIC.....	1.....	HOSE 11
5	45588	HOSE ASSY., 3/8" X 11", -6FJIC X -6FJIC.....	1.....	HOSE 5
6	45387	HOSE ASSY., 1/2" X 21", -8FJIC X -8FJIC90.....	1.....	HOSE 18

# HYD. HOSE ASSY. (HYD. TANK/FILTER/COOLER/MOTORS)



## NOTES:

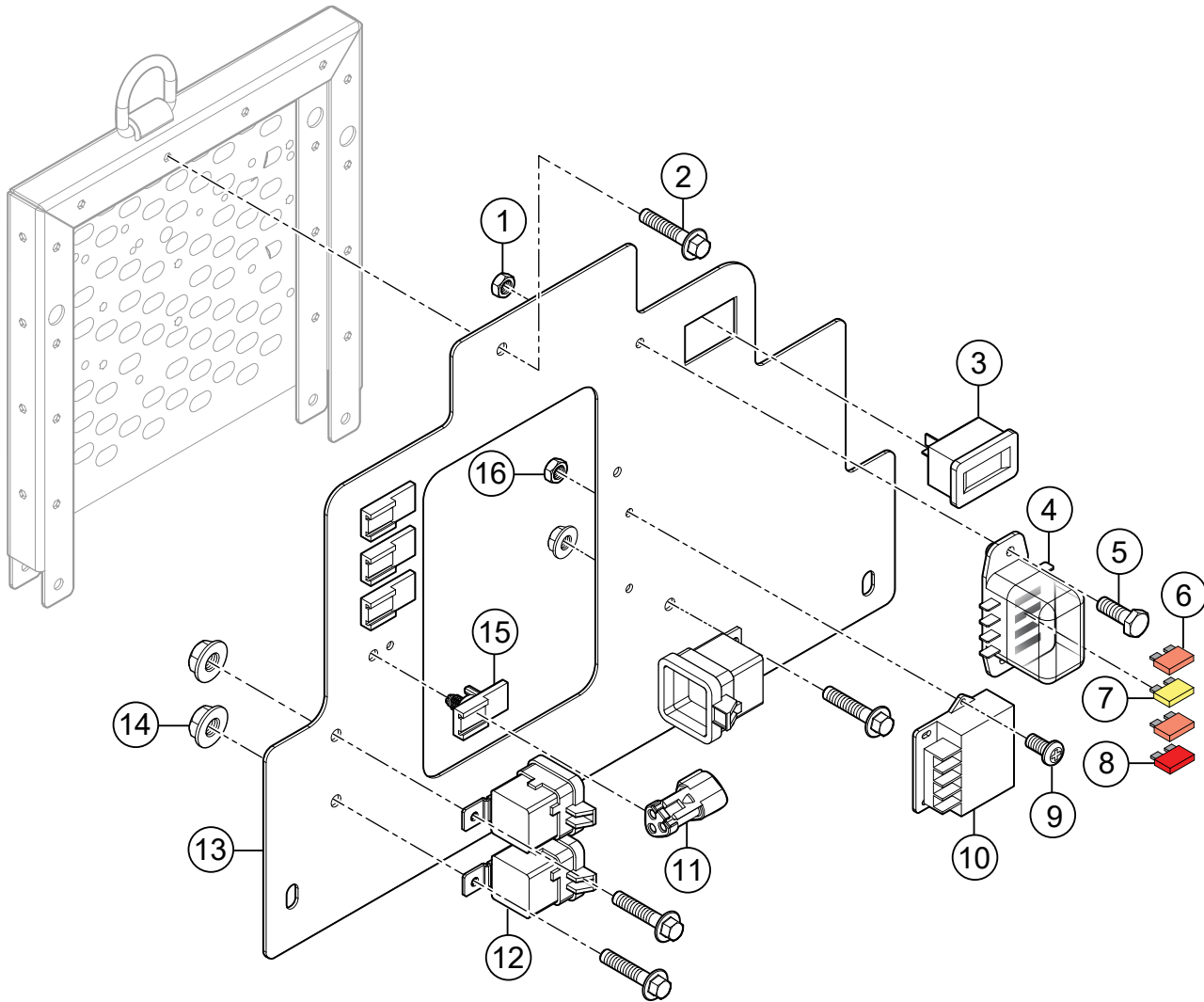
- ① SEE HOSE KIT ASSY. APPLIES TO ALL HYDRAULIC HOSES.
- ② HOSE COLORS SHOWN FOR CLARITY ONLY.
- ③ FOR HYDRAULIC DIAGRAM SEE OPERATION MANUAL.

## **HYD. HOSE ASSY. (HYD. TANK/FILTER/COOLER/MOTORS)**

---

<u>NO.</u>	<u>PART NO.</u>	<u>PART NAME</u>	<u>QTY.</u>	<u>REMARKS</u>
1	45390	HOSE ASSY., 5/8" X 60", -10FJIC.....	1.....	HOSE 6
2	3333	CLAMP, HOSE WORM #12	2	
3	45386	HOSE ASSY., 5/8" X 40", -10FJIC X -10FJIC45.....	1.....	HOSE 3
4	45385	HOSE ASSY., 5/8" X 43", -10FJIC X -10FJIC.....	1.....	HOSE 2
5	45384	HOSE ASSY., 5/8" X 24.75", -10FJIC X -10FJIC45.....	1.....	HOSE 1
6	45391	HOSE ASSY., 5/8" X 60.5", -10FJIC X -10FJIC.....	1.....	HOSE 4
7	45389	HOSE ASSY., 3/4" X 48", -12FJIC.....	1.....	HOSE 7

# ELECTRICAL PANEL ASSY.



**NOTE:**

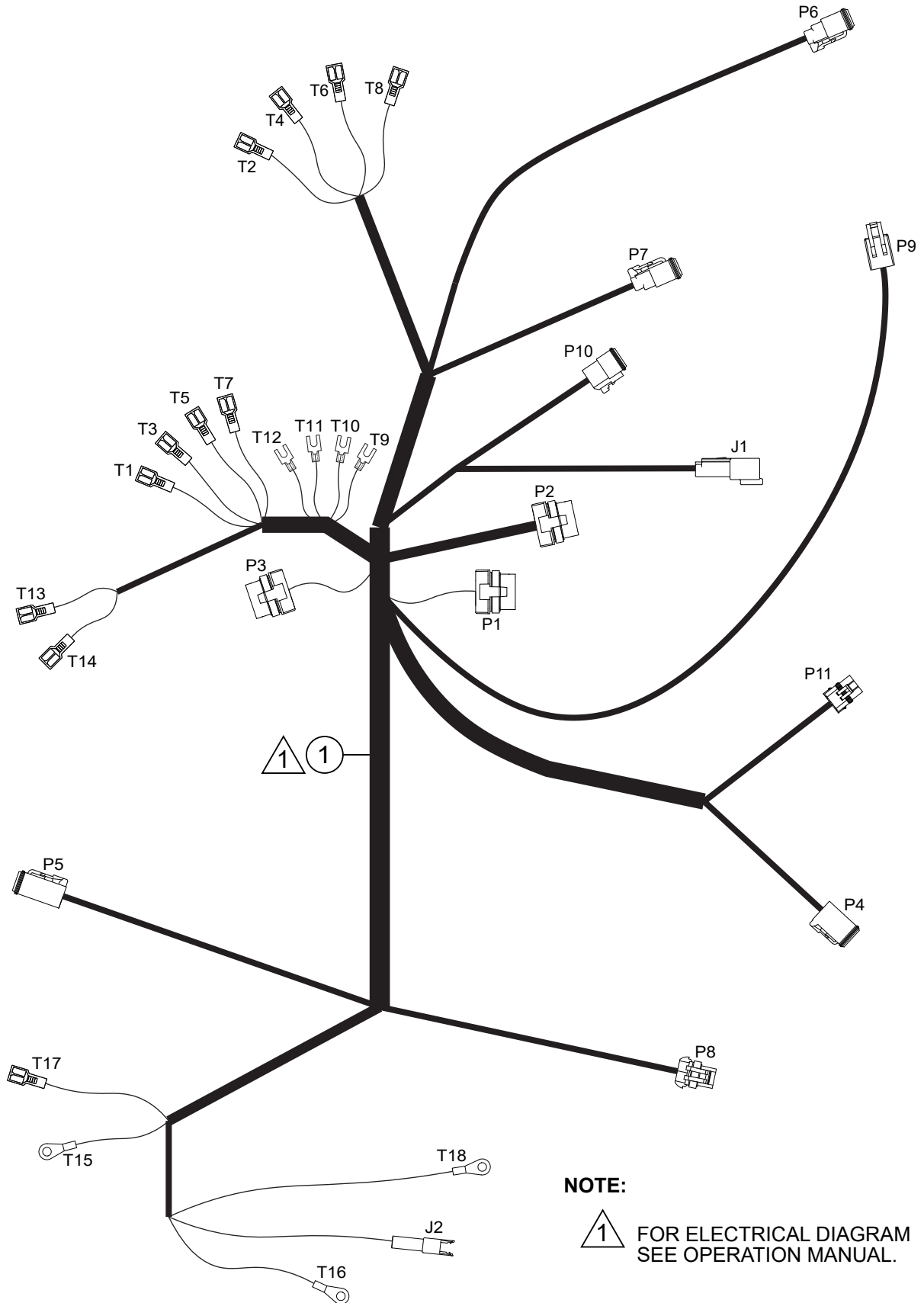
 FOR ELECTRICAL DIAGRAM  
SEE OPERATION MANUAL.

## ELECTRICAL PANEL ASSY.

---

<u>NO.</u>	<u>PART NO.</u>	<u>PART NAME</u>	<u>QTY.</u>	<u>REMARKS</u>
1	32664	NUT, HEX M4	2	
2	43724	SCREW, HHFS M6-1.0 X 25MM CLASS 8.8	4	
3	29640	HOUR METER, SENDEC RECT. FLUSH MOUNT	1	
4	23534	FUSE BLOCK, 4 FUSE	1	
5	28922-083	SCREW, HHC M4-0.7 X 12MM	2	
6	23284-050	FUSE, 5 AMP ATC/ATO	2	
7	23284-200	FUSE, 20 AMP ATC/ATO	1	
8	23284-100	FUSE, 10 AMP ATC/ATO	1	
9	19298	SCREW, PHP 6-32 X 3/8"	2	
10	45550	CONVERTER, STEP DOWN 5V, 3A	1	
11	22815	RECEP., RES. 120 OHM, DEUTSCH DT 3 POS	1	
12	12017	RELAY, KILL	3	
13	45430	PANEL, ELECTRICAL	1	
14	42352	NUT, HEX, SERRATED-FLANGE, M6-1.0	3	
15	42328	CLIP, MOUNTING DEUTCH 2 PIN	4	
16	11152	NUT, NYLOC 6-32	2	

# HARNESS ASSY. (MAIN)

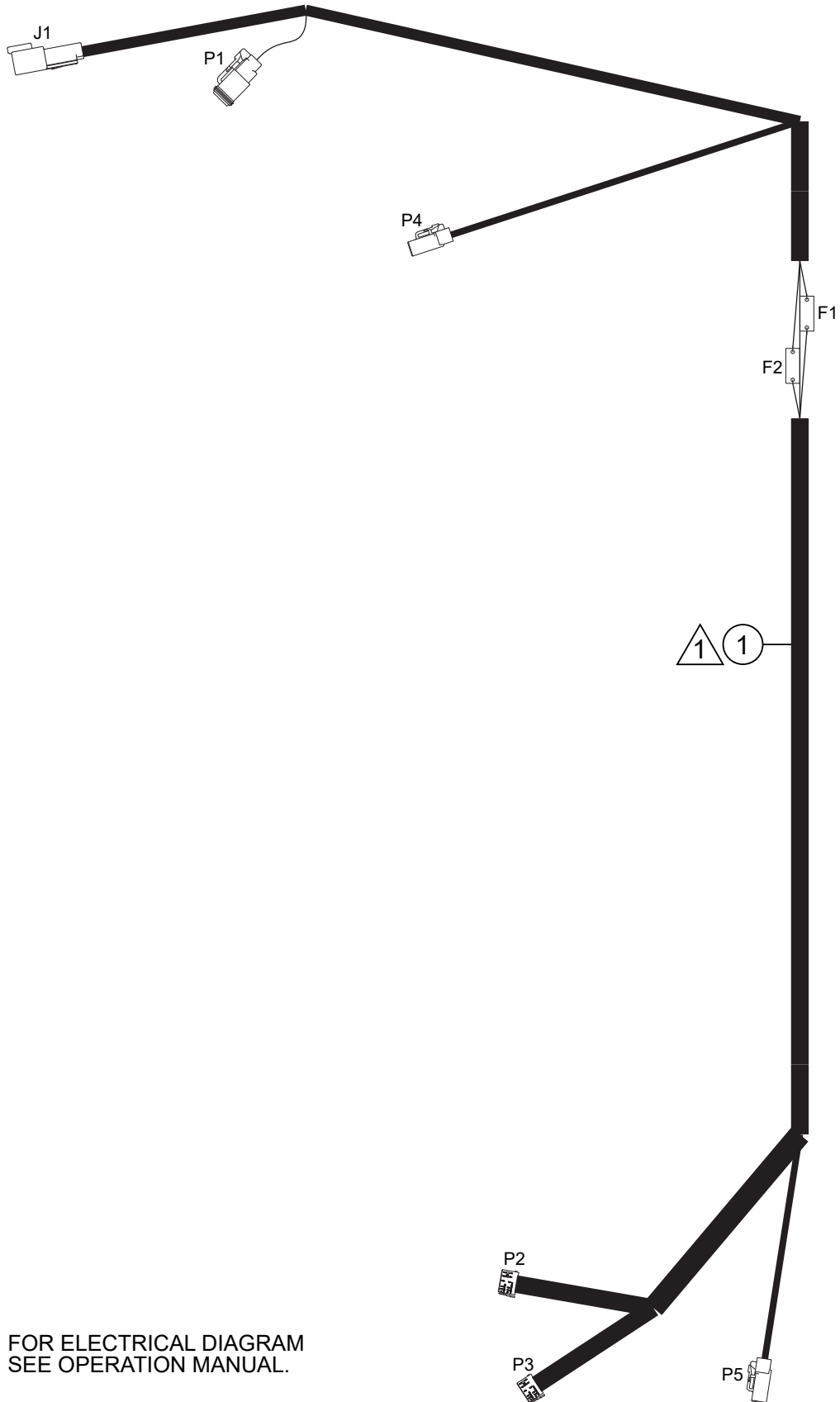


## HARNESS ASSY. (MAIN)

---

<u>NO.</u>	<u>PART NO.</u>	<u>PART NAME</u>	<u>QTY.</u>	<u>REMARKS</u>
1	45382	HARNESS, MAIN	1	

# HARNES ASSY. (PITCH)



NOTE:



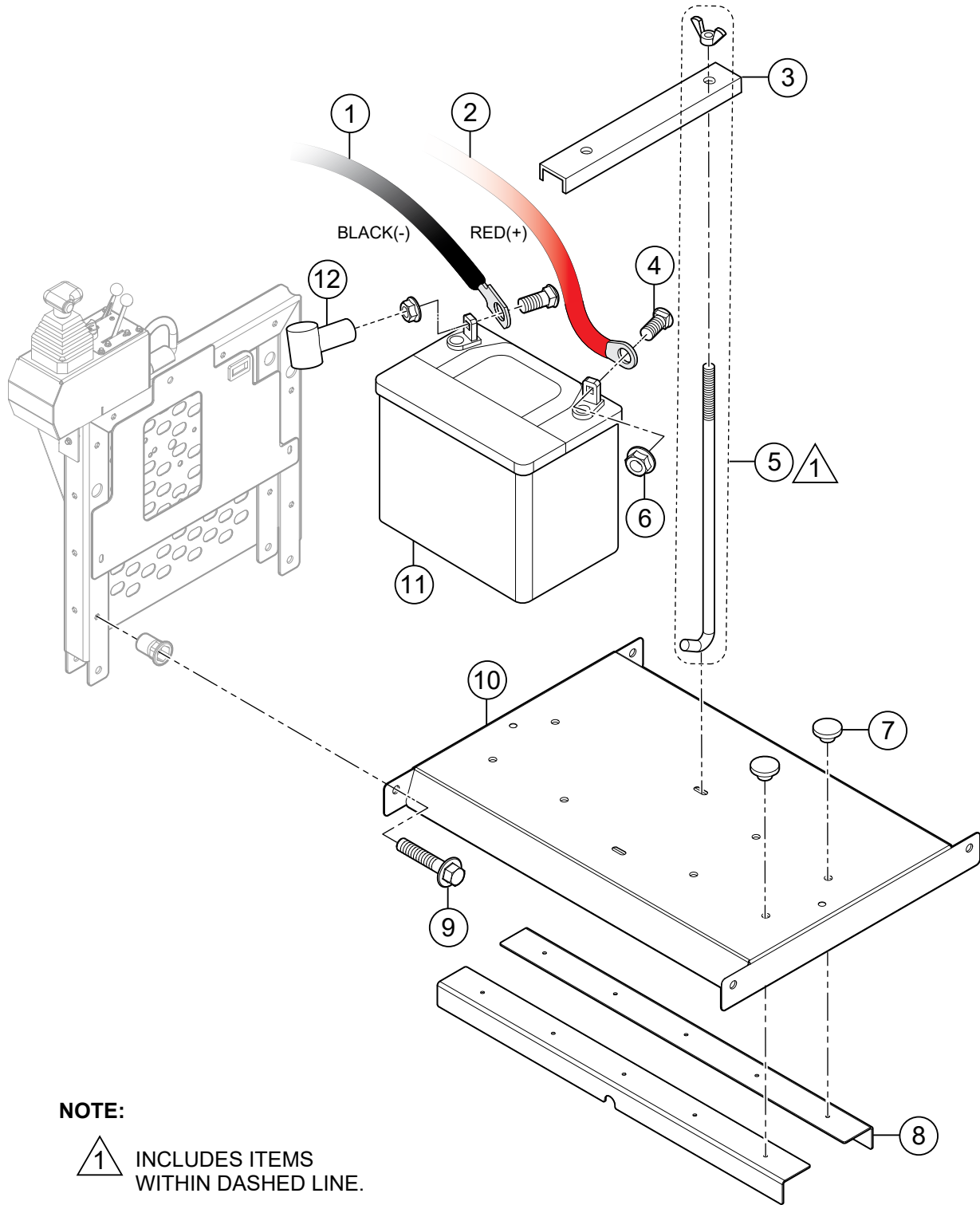
FOR ELECTRICAL DIAGRAM  
SEE OPERATION MANUAL.

## HARNESS ASSY. (PITCH)

---

<u>NO.</u>	<u>PART NO.</u>	<u>PART NAME</u>	<u>QTY.</u>	<u>REMARKS</u>
1	45380	HARNESS, PITCH	1	

# BATTERY ASSY.



**NOTE:**

1 INCLUDES ITEMS WITHIN DASHED LINE.

## BATTERY ASSY.

---

<u>NO.</u>	<u>PART NO.</u>	<u>PART NAME</u>	<u>QTY.</u>	<u>REMARKS</u>
1	45306	CABLE, BATTERY NEG., BK 31", 6 GA	1	
2	12675	CABLE, BATTERY POS., 4 GA X 36"	1	
3	11105	BRACKET, SMALL BATTERY HOLD DOWN	1	
4	42542	SCREW, HFS M6-1.0 X 16	2	
5	20194	KIT, BATTERY J-BOLTS, 8"	1	
6	42352	NUT, HEX.,SERRATED-FLANGE M6-1.0	2	
7	30029	RIVET, POP BH, .187 X .063 -.125 AL/AL	10	
8	45541	BRACE, BATTERY	2	
9	43724	SCREW, HHFS M6-1.0 X 25MM CLASS 8.8	4	
10	45506	HEAT SHIELD, SEAT	1	
11	4671	BATTERY, WET GR UI	1	
12	42981	BOOT, TERMINAL, 8-2GA RED	2	

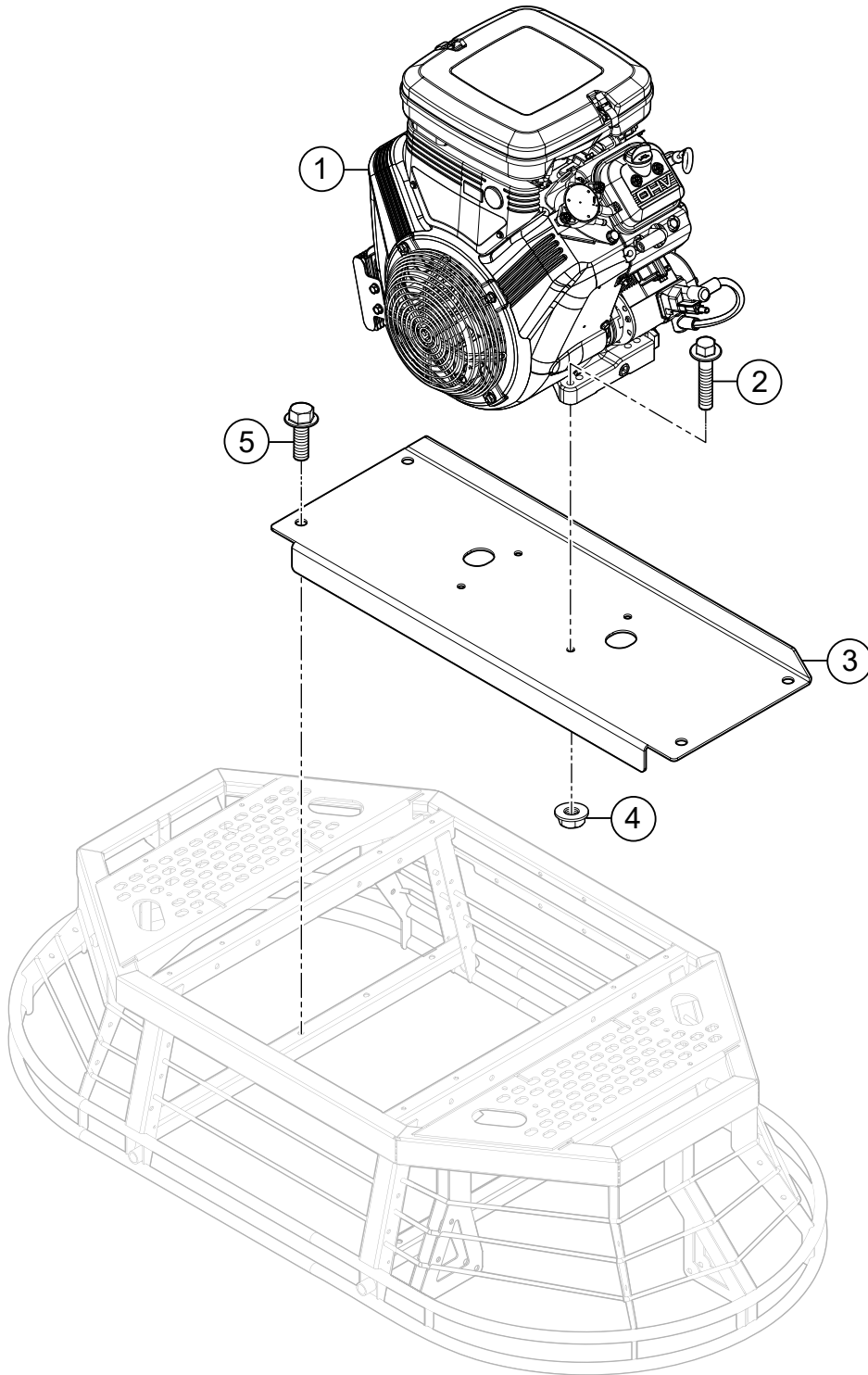


## FUEL SYSTEM ASSY.

---

<u>NO.</u>	<u>PART NO.</u>	<u>PART NAME</u>	<u>QTY.</u>	<u>REMARKS</u>
1	45546	KIT, FUEL TANK .....	1.....	INCLUDES ITEMS W/@
2@	45544	CANISTER, CARBON WITH 1/4" PORTS	1	
3	43724	SCREW, HHFS M6-1.0 X 25MM CLASS 8.8	4	
4	60013	HOSE, FUEL Ø.250 LOW PERM 50 PSI 57 IN.....	5.....	1PC=1FT
5@	45547	CAP, VENTED RATCHETING	1	
6	45542	STRAP, FUEL TANK	2	
7	43655	NUT, BLIND, HEX, M6-1.0 X 4.2 - 6.6 GRIP	2	
8@	45543	TANK, NATURAL, 4 GALLON	1	
9	11978	FITTING, BARBED 3/16" TO 1/4" HOSE	1	
10	22067	CLAMP, STEPLESS EAR 1/4" HOSE #138	6	
11	42496	NUT, BLIND, HEX, M6-1.0 X 0.7 - 4.2 GRIP	2	

# ENGINE MOUNTING ASSY.

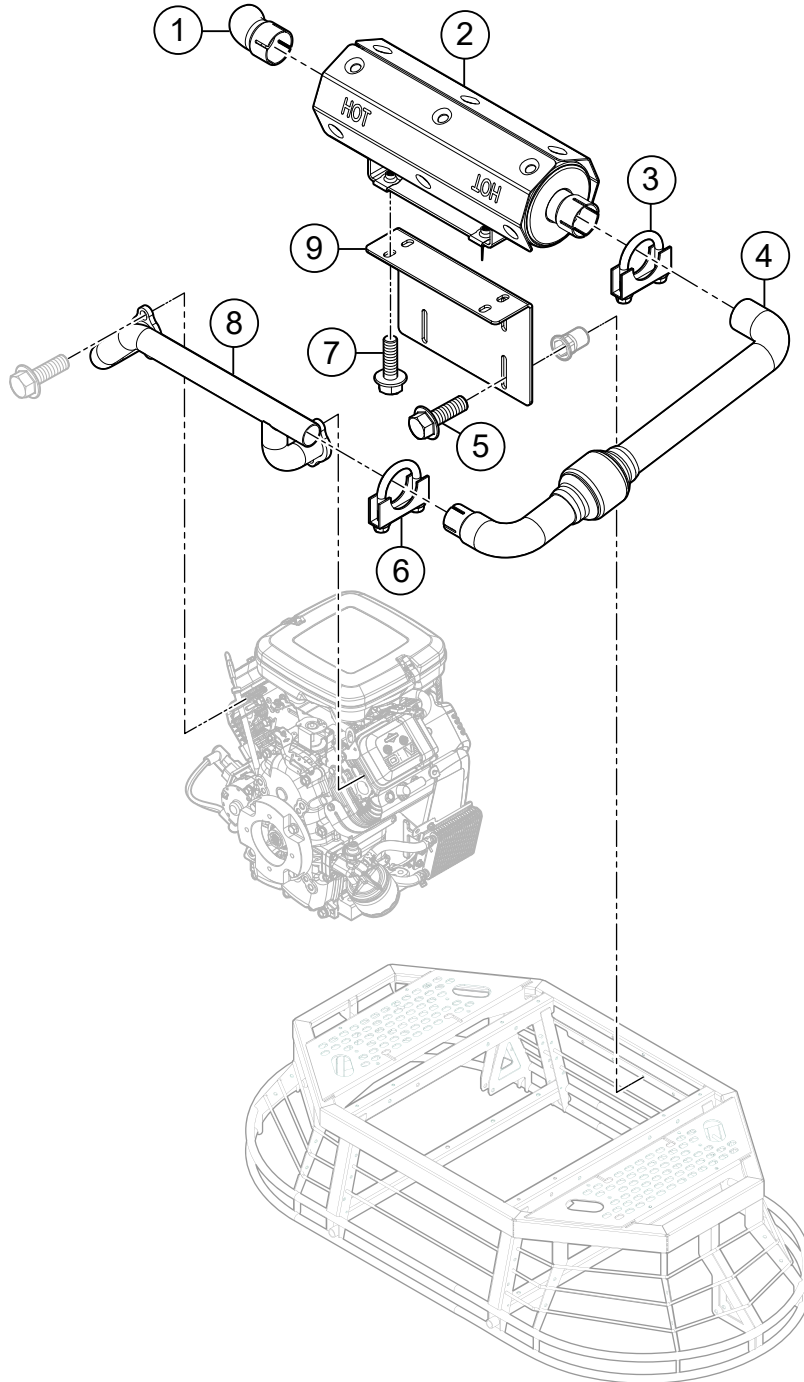


## ENGINE MOUNTING ASSY.

---

<u>NO.</u>	<u>PART NO.</u>	<u>PART NAME</u>	<u>QTY.</u>	<u>REMARKS</u>
1	45487	ENGINE, BRIGGS 23HP	1	
2	9086	SCREW, HHFS M8-1.25 X 45	4	
3	45488	MOUNT, ENGINE	1	
4	23802	NUT, HEX FLANGE M8-1.25 SERRATED	4	
5	32976	SCREW, HFS M10-1.5 X 25 CLASS 10.9	4	

# EXHAUST ASSY.



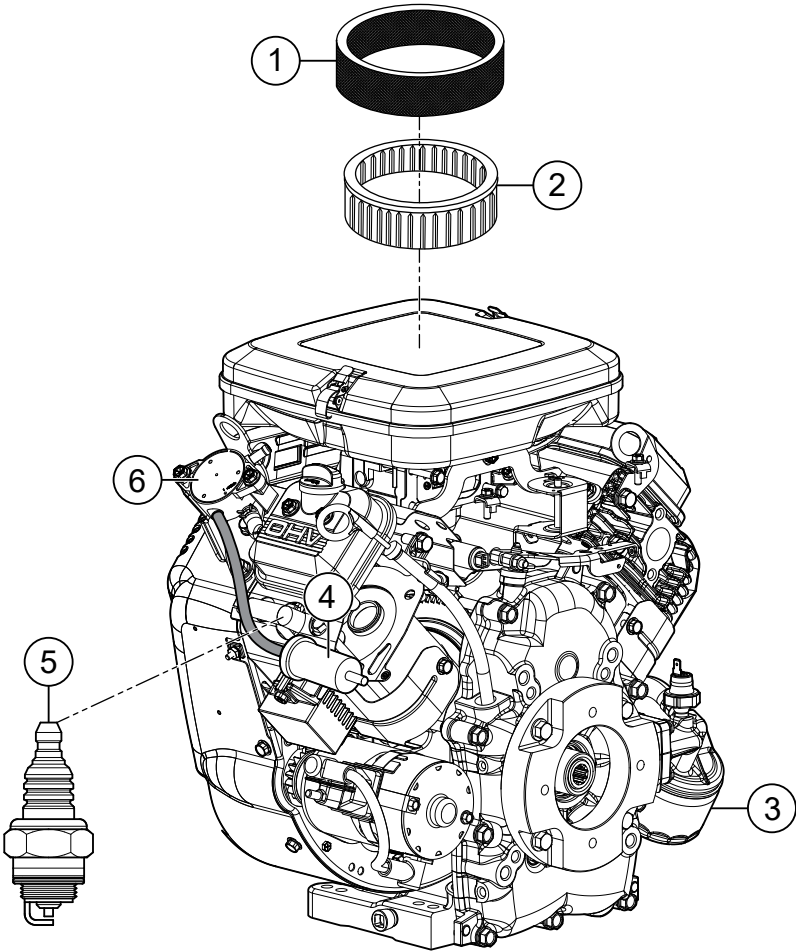
## EXHAUST ASSY.

---

<u>NO.</u>	<u>PART NO.</u>	<u>PART NAME</u>	<u>QTY.</u>	<u>REMARKS</u>
1	45586	TIP, EXHAUST	1	
2	45491	MUFFLER	1	
3	10855	CLAMP, 1-1/2" MUFFLER, GUILLOTINE	2	
4	45493	EXHAUST	1	
5	42342	SCREW, HHFS, M8-1.25 X 16 GR 8.8	4	
6	45625	CLAMP, EXHAUST 1-5/16"	1	
7	42342	SCREW, HHFS, M8-1.25 X 16 GR 8.8	4	
8	45492	HEADER, BRIGGS 23HP	1	
9	45489	MOUNT, MUFFLER	1	

# ENGINE SERVICE PARTS

---

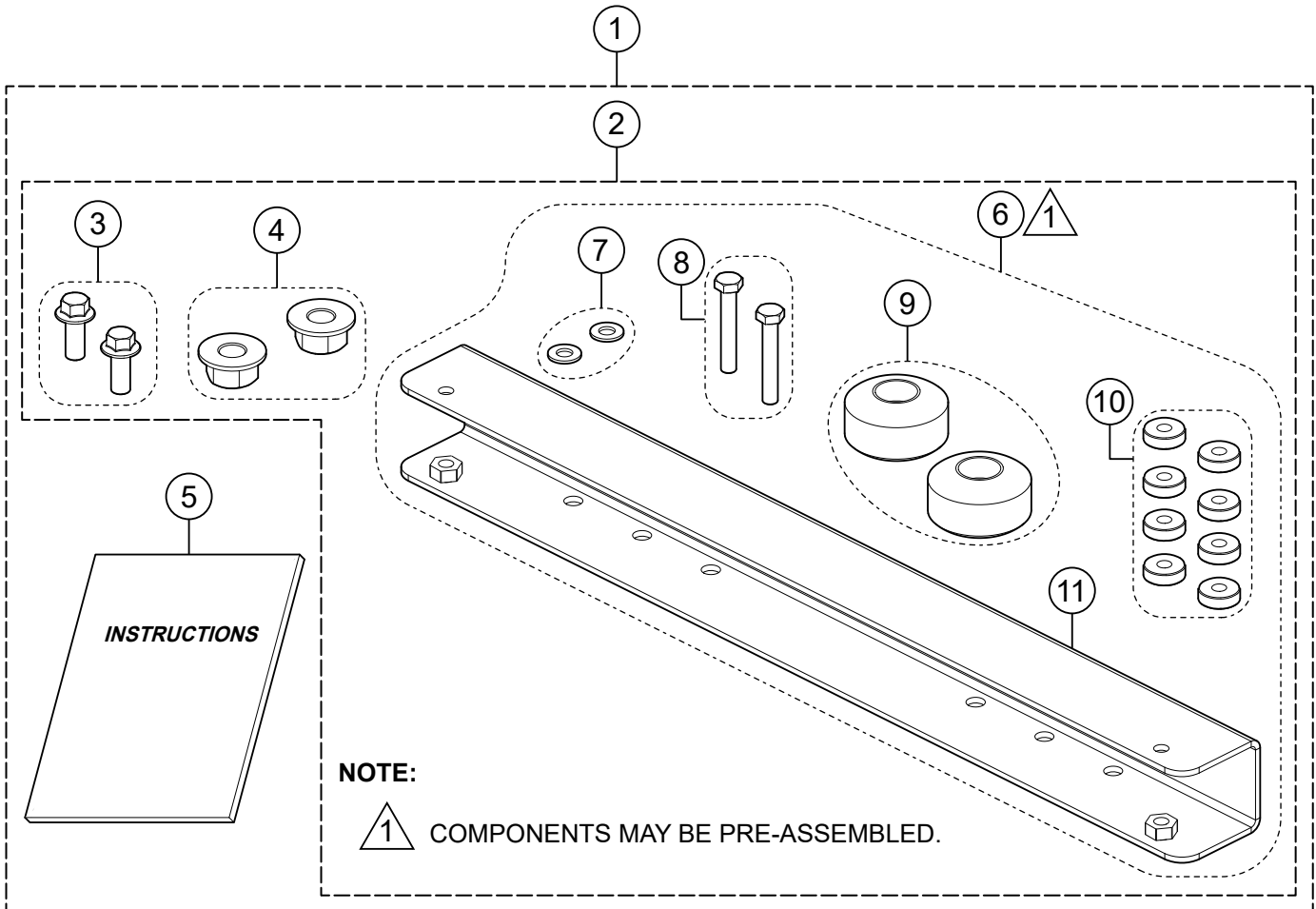


## ENGINE SERVICE PARTS

---

<u>NO.</u>	<u>PART NO.</u>	<u>PART NAME</u>	<u>QTY.</u>	<u>REMARKS</u>
1	692520	FILTER, PRE AIR CLEANER	1	
2	692519	FILTER, AIR CLEANER CARTRIDGE	1	
3	842921	FILTER, OIL	1	
4	845125	FILTER, FUEL 20 MICRON	1	
5	792015	SPARK PLUG	2	
6	808656	PUMP, FUEL	1	

# EDGER KIT ASSY. (OPTION)



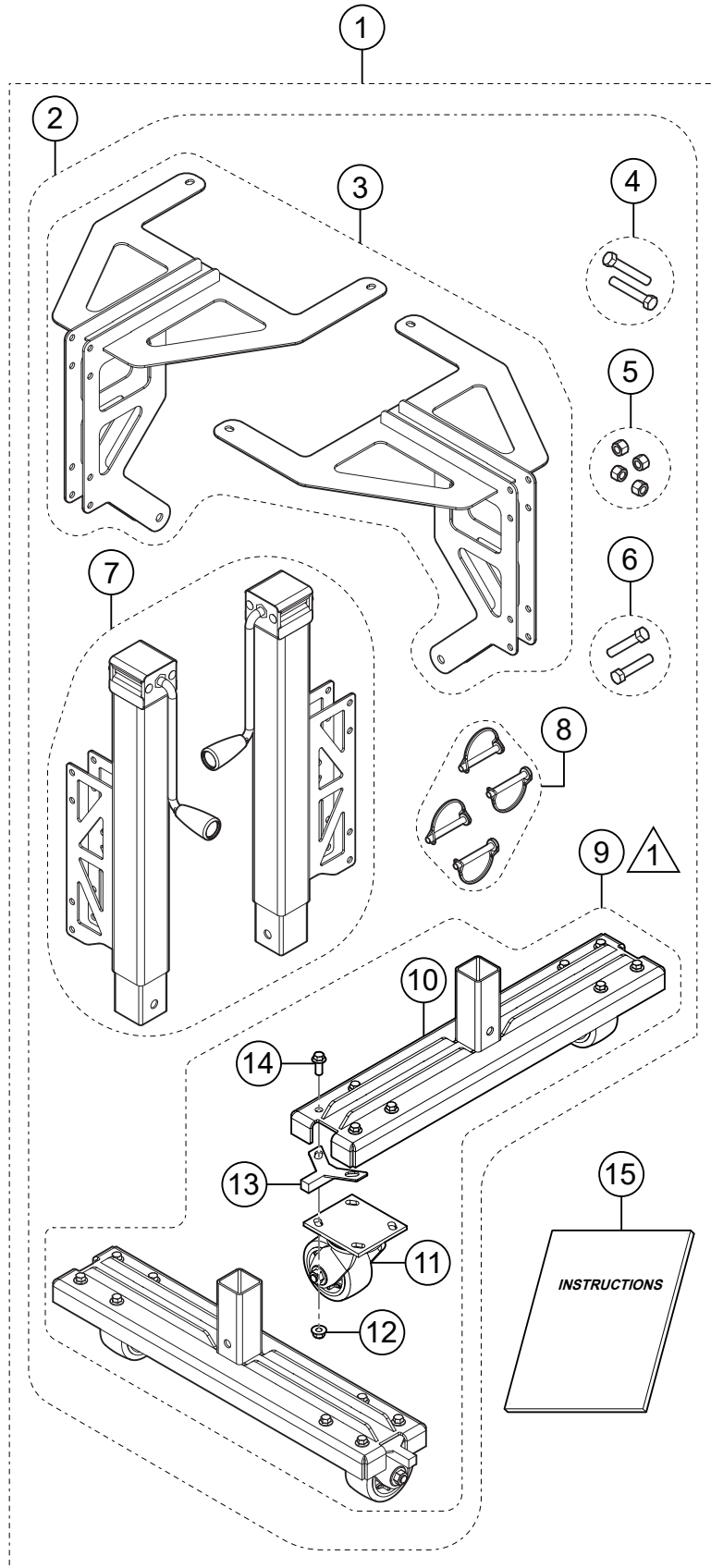
## EDGER KIT ASSY. (OPTION)

---

<u>NO.</u>	<u>PART NO.</u>	<u>PART NAME</u>	<u>QTY.</u>	<u>REMARKS</u>
1	LD6EK	EDGING KIT, COMPLETE.....	1.....	INCLUDES ITEMS W/@
2@	45471	KIT, EDGER.....	1.....	INCLUDES ITEMS W/#
3@#	32976	SCREW, HFS M10-1.5 X 25	2	
4@#	42353	NUT, HEX, SERRATED-FLANGE, M10-1.5	2	
5@	45718	INSTRUCTIONS, EDGER KIT	1	
6@#		ASSY., EDGER BRACKET .....	1.....	INCLUDES ITEMS W/+
7@#+	0300 B	WASHER, FLAT SAE 5/16"	2	
8@#+	15520-050	SCREW, HHC M8-1.25 X 50 MM	2	
9@#+	21189	WHEEL, 2.13" OD X 1.25" W	2	
10@#+	21369	BEARING, SEALED 5/16" ID X 7/8" OD	8	
11@#+	45477	BRACKET W/A, EDGER	1	

TO DOWNLOAD INSTRUCTIONS P/N 45718, VISIT [HTTP://WWW.MULTIQUIP.COM/MULTIQUIP/LD6.HTM](http://www.multiquip.com/multiquip/LD6.htm)  
OR [HTTP://SERVICE.MULTIQUIP.COM/INSTRUCTIONS-TROWELS-HYDRAULIC-RIDE-ON.HTML](http://service.multiquip.com/instructions-trowels-hydraulic-ride-on.html)

# EZ MOVER KIT ASSY. (OPTION)



**NOTE:**

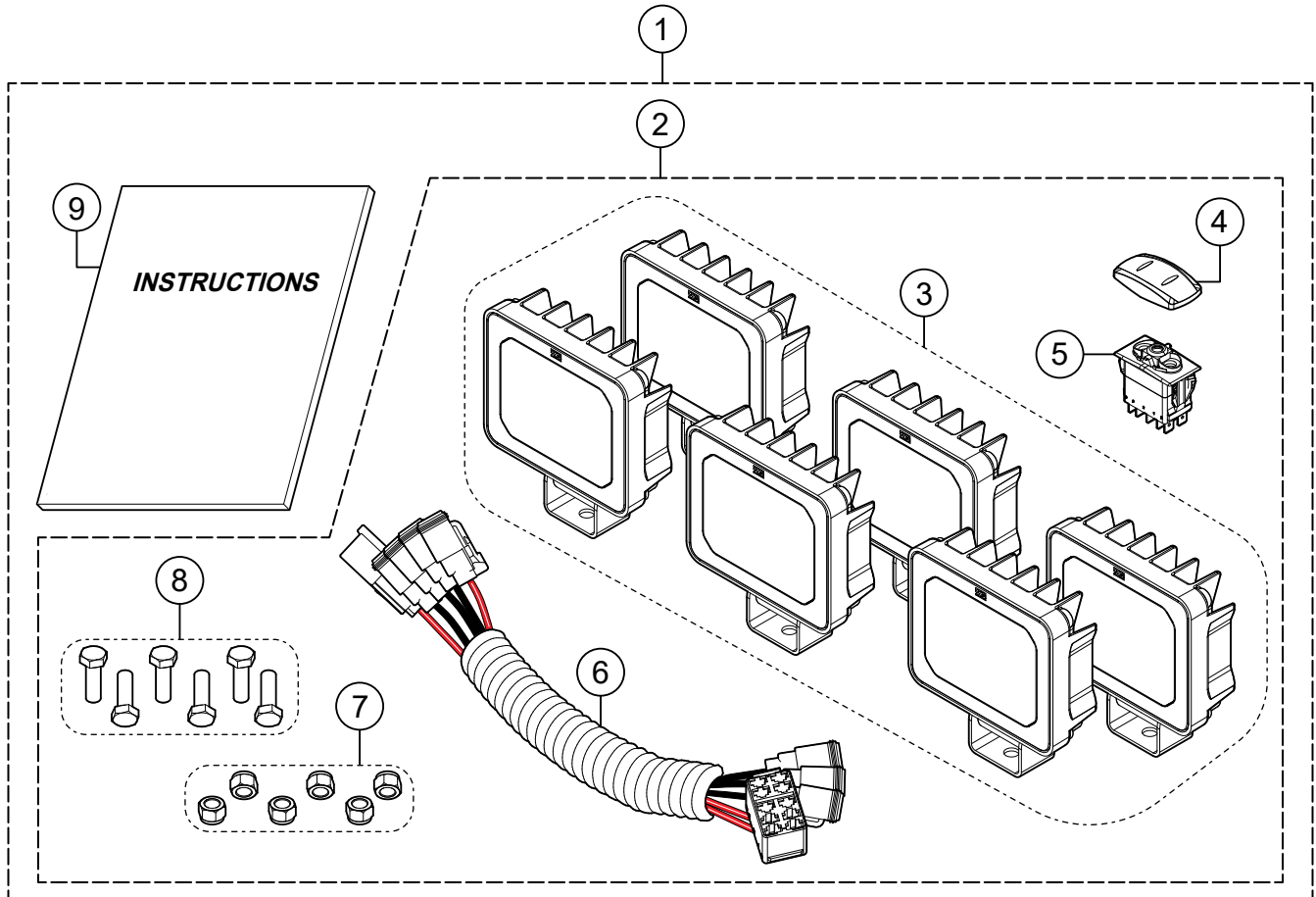
 COMPONENTS MAY BE PRE-ASSEMBLED.

## EZ MOVER KIT ASSY. (OPTION)

<u>NO.</u>	<u>PART NO.</u>	<u>PART NAME</u>	<u>QTY.</u>	<u>REMARKS</u>
1	LD6EZM	KIT, EZ MOVER .....	1.....	INCLUDES ITEMS W/@
2@	45700	ASSY., EZ MOVER .....	2.....	INCLUDES ITEMS W/#
3@#	45708	LIFT BRACKET, EZ MOVER	2	
4@#	2549	SCREW, HHC 1/2-13 X 3"	2	
5@#	10176	NUT, NYLOC 1/2-13	4	
6@#	12402	SCREW, HHC 1/2-13 X 2-1/2"	2	
7@#	45705	JACK, EZ MOVER	2	
8@#	16743	PIN, SECTION SAFETY SNAP 3/8" DIA.	4	
9@#		ASSY., WHEEL PLATE .....	1.....	INCLUDES ITEMS W/+
10@#+	45701	CASTER PLATE, EZ MOVER	2	
11@#+	45711	WHEEL CASTER, CUSHIONED LOAD, 4"	4	
12@#+	42353	NUT, HEX, SERRATED-FLANGE, M10-1.5	16	
13@#+	45712	CASTER WHEEL LOCK, EZ MOVER	2	
14@#+	32976	SCREW, HFS M10-1.5 X 25	16	
15@	45719	INSTRUCTIONS, EZ MOVER KIT	1	

TO DOWNLOAD INSTRUCTIONS P/N 45719, VISIT [HTTP://WWW.MULTIQUIP.COM/MULTIQUIP/LD6.HTM](http://www.multiquip.com/multiquip/ld6.htm)  
OR [HTTP://SERVICE.MULTIQUIP.COM/INSTRUCTIONS-TROWELS-HYDRAULIC-RIDE-ON.HTML](http://service.multiquip.com/instructions-trowels-hydraulic-ride-on.html)

# LIGHT KIT ASSY. (OPTION)



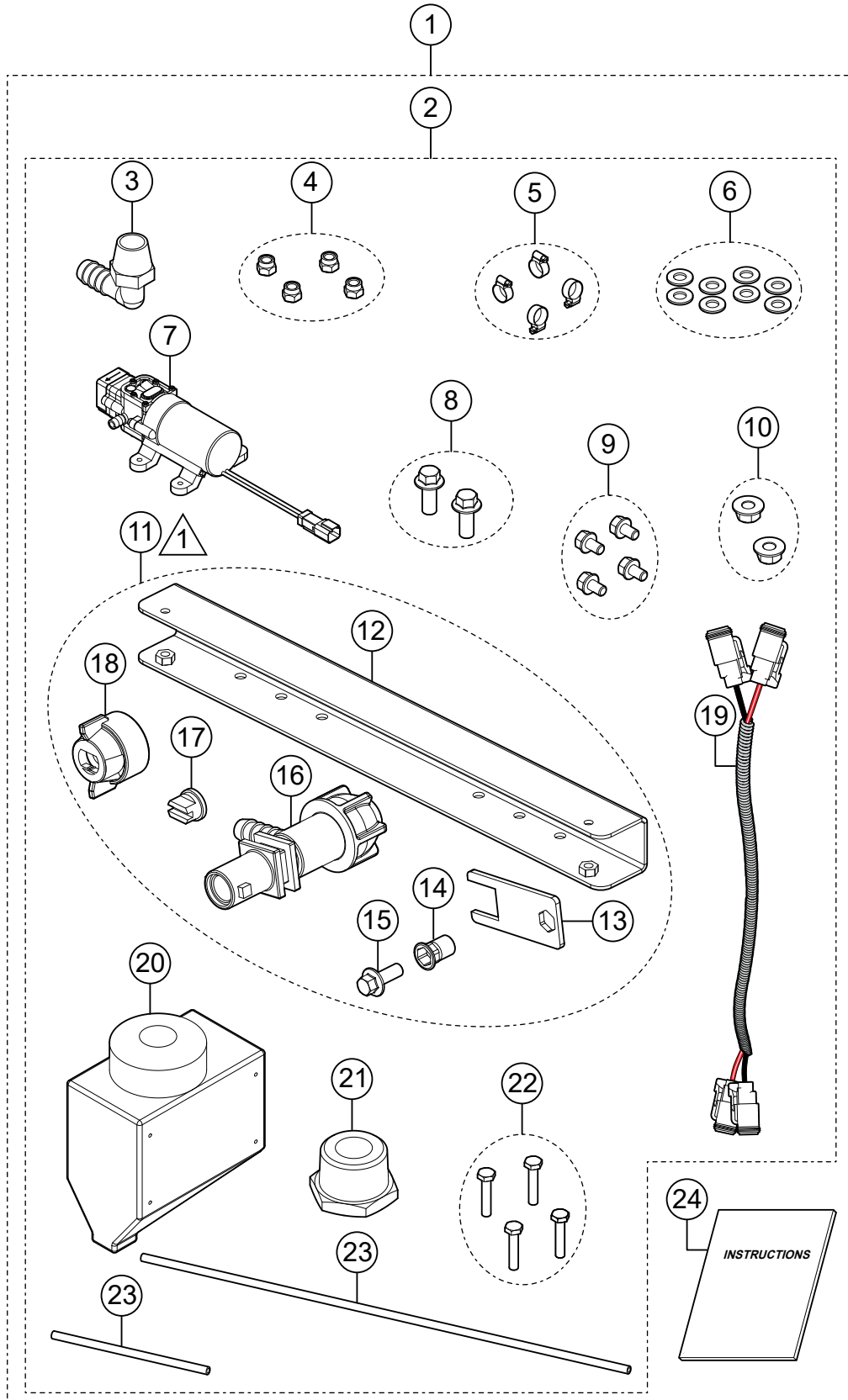
## LIGHT KIT ASSY. (OPTION)

---

<u>NO.</u>	<u>PART NO.</u>	<u>PART NAME</u>	<u>QTY.</u>	<u>REMARKS</u>
1	LD6LK	LIGHT KIT, COMPLETE .....	1.....	INCLUDES ITEMS W/@
2@	45606	KIT, LIGHTS.....	1.....	INCLUDES ITEMS W/#
3@#	45573	WORK LIGHT, 4" SQ. LED 100°	6	
4@#	42179-001	ACTUATOR, CARLING CONTURA V-SERIES	1	
5@#	42178-002	SWITCH BASE, 10 TERM, ON-OFF	1	
6@#	45381	HARNESS, LIGHT KIT	1	
7@#	42344	NUT, NYLOC, M8-1.25, CLASS 8.8	6	
8@#	946703	SCREW, HHC M8-1.25 X 25 MM GR 10.9	6	
9@	45716	INSTRUCTIONS, LIGHT KIT	1	

TO DOWNLOAD INSTRUCTIONS P/N 45716, VISIT [HTTP://WWW.MULTIQUIP.COM/MULTIQUIP/LD6.HTM](http://www.multiquip.com/multiquip/LD6.HTM)  
OR [HTTP://SERVICE.MULTIQUIP.COM/INSTRUCTIONS-TROWELS-HYDRAULIC-RIDE-ON.HTML](http://service.multiquip.com/instructions-trowels-hydraulic-ride-on.html)

# RETARDANT SPRAY KIT ASSY. (OPTION)



**NOTE:**

1 COMPONENTS MAY BE PRE-ASSEMBLED.

## RETARDANT SPRAY KIT ASSY. (OPTION)

<u>NO.</u>	<u>PART NO.</u>	<u>PART NAME</u>	<u>QTY.</u>	<u>REMARKS</u>
1	LD6SK	SPRAY KIT, COMPLETE .....	1 .....	INCLUDES ITEMS W/@
2@	45475	KIT, RETARDANT SPRAY .....	1 .....	INCLUDES ITEMS W/#
3@#	2925	ELBOW, 90° 3/8 BARB 3/8 NPT-M	1	
4@#	15518-004	NUT, NYLOC, M4-0.7	4	
5@#	15538	CLAMP, HOSE WORM #6	4	
6@#	28922-058	WASHER, M5	8	
7@#	30560	PUMP, SPRAY, WITH FEM. CON. BODY	1	
8@#	32976	SCREW, HFS M10-1.5 X 25 CLASS 10.9	2	
9@#	34002	SCREW, HHF 5/16-18 X 1/2", GR 5	4	
10@#	42353	NUT, HEX, SERRATED-FLANGE, M10-1.5	2	
11@#		ASSY., BRACKET/NOZZLE.....	1 .....	INCLUDES ITEMS W/+
12@#+	45477	BRACKET W/A, SPRAY/EDGER	1	
13@#+	45605	MOUNT, NOZZLE TAB	1	
14@#+	42496	NUT, BLIND, HEX, M6-1.0 X 0.7 - 4.2 GRIP	1	
15@#+	42542	SCREW, HHFS M6-1.0 X 16	1	
16@#+	45472	NOZZLE, TEEJET BODY, SINGLE	1	
17@#+	49247	SPRAY, FLAT TIP BROWN	1	
18@#+	45474	SPRAY TIP, CAP WITH GASKET	1	
19@#	45379	HARNESS, SPRAY KIT	1	
20@#	45200	TANK, 3 GAL. LARGE MOUTH RETARDANT	1	
21@#	49333	FITTING, BRASS 3/4 MNPT - 3/8 FNPT	1	
22@#	42894	SCREW, HHC M4-0.7 X 20 MM	4	
23@#	60021	HOSE, 3/8" ID X 5/8" OD, BRAIDED PVC 58 IN.....	5 .....	1PC=1FT
24@	45717	INSTRUCTIONS, SPRAY KIT	1	

TO DOWNLOAD INSTRUCTIONS P/N 45717, VISIT [HTTP://WWW.MULTIQUIP.COM/MULTIQUIP/LD6.HTM](http://www.multiquip.com/multiquip/ld6.htm)  
OR [HTTP://SERVICE.MULTIQUIP.COM/INSTRUCTIONS-TROWELS-HYDRAULIC-RIDE-ON.HTML](http://service.multiquip.com/instructions-trowels-hydraulic-ride-on.html)

# PARTS MANUAL

## HERE'S HOW TO GET HELP

PLEASE HAVE THE MODEL AND SERIAL  
NUMBER ON-HAND WHEN CALLING

### UNITED STATES

#### ***Multiquip Inc.***

(310) 537- 3700  
6141 Katella Avenue Suite 200  
Cypress, CA 90630  
E-MAIL: [mq@multiquip.com](mailto:mq@multiquip.com)  
WEBSITE: [www.multiquip.com](http://www.multiquip.com)

---

### CANADA

#### ***Multiquip***

(450) 625-2244  
4110 Industriel Boul.  
Laval, Quebec, Canada H7L 6V3  
E-MAIL: [infocanada@multiquip.com](mailto:infocanada@multiquip.com)

### UNITED KINGDOM

#### ***Multiquip (UK) Limited Head Office***

0161 339 2223  
Unit 2, Northpoint Industrial Estate, Globe Lane,  
Dukinfield, Cheshire SK16 4UJ  
E-MAIL: [sales@multiquip.co.uk](mailto:sales@multiquip.co.uk)

© COPYRIGHT 2025, MULTIQUIP INC.

Multiquip Inc. and the MQ logo are registered trademarks of Multiquip Inc. and may not be used, reproduced, or altered without written permission. All other trademarks are the property of their respective owners and used with permission.

This manual MUST accompany the equipment at all times. This manual is considered a permanent part of the equipment and should remain with the unit if resold.

The information and specifications included in this publication were in effect at the time of approval for printing. Illustrations, descriptions, references and technical data contained in this manual are for guidance only and may not be considered as binding. Multiquip Inc. reserves the right to discontinue or change specifications, design or the information published in this publication at any time without notice and without incurring any obligations.



**PN: 45742**



## Flextool

1956 Dandenong Road, Clayton VIC 3168, Australia

Phone: 1300 353 986

[flextool.com.au](http://flextool.com.au)

ABN 80 069 961 968

This manual summarises our best knowledge of the product based on the information available at the time of publication. You should read this manual carefully and consider the information in the context of how the product will be used. Our responsibility for products sold is subject to our standard terms and conditions of sale.

### DISCLAIMER:

Any advice, recommendation, information, assistance or service provided by us in this manual is given in good faith and is believed by us to be appropriate and reliable. However, any advice, recommendation, information, assistance or service provided by us is provided without liability or responsibility PROVIDED THAT the foregoing shall not exclude, limit, restrict or modify the right entitlements and remedies conferred upon any person or the liabilities imposed upon us by any condition or warranty implied by Commonwealth, State or Territory Act or ordinance void or prohibiting such exclusion limitation or modification. The product can be expected to perform as indicated in this manual so long as operation and operational procedures of the individual products are followed as recommended in this manual.

Design and technical specifications may be subject to changes.

© This publication is copyright. All rights are reserved. Flextool is a registered trade mark of Parchem Construction Supplies Pty Ltd. Multiquip, MQ and Whiteman are registered trade marks of Multiquip Inc.