



SERVICE SHEETS

40" WALK BEHIND TROWEL

Model FP440



(DOCUMENT VERSION NO.28012010)

WARNING

To reduce the risk of injury, all operators and maintenance personnel must read and understand these instructions before operating, changing accessories, or performing maintenance on this power equipment. All possible situations cannot be covered in these instructions. Care must be exercised by everyone using, maintaining or working near this equipment.



Flextool

SERVICE SHEET F03443 ISSUE 280110

WALK BEHIND POWER TROWEL

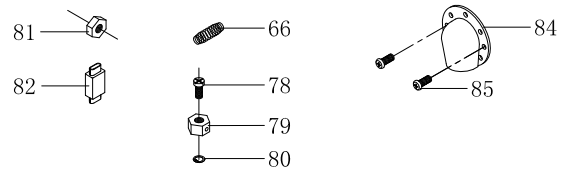
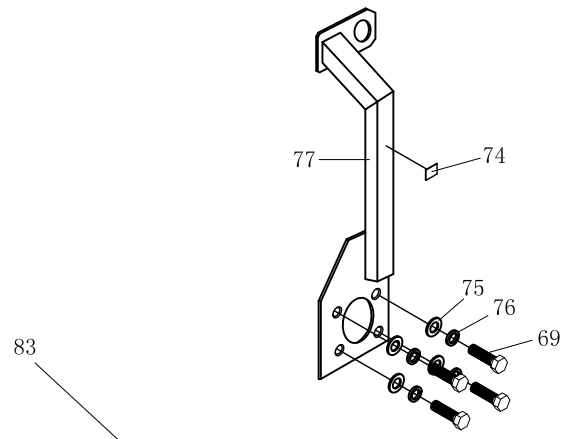
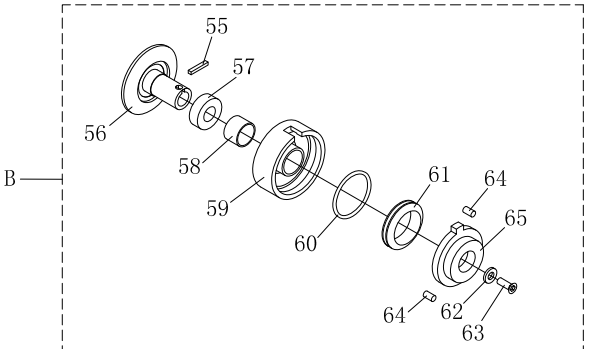
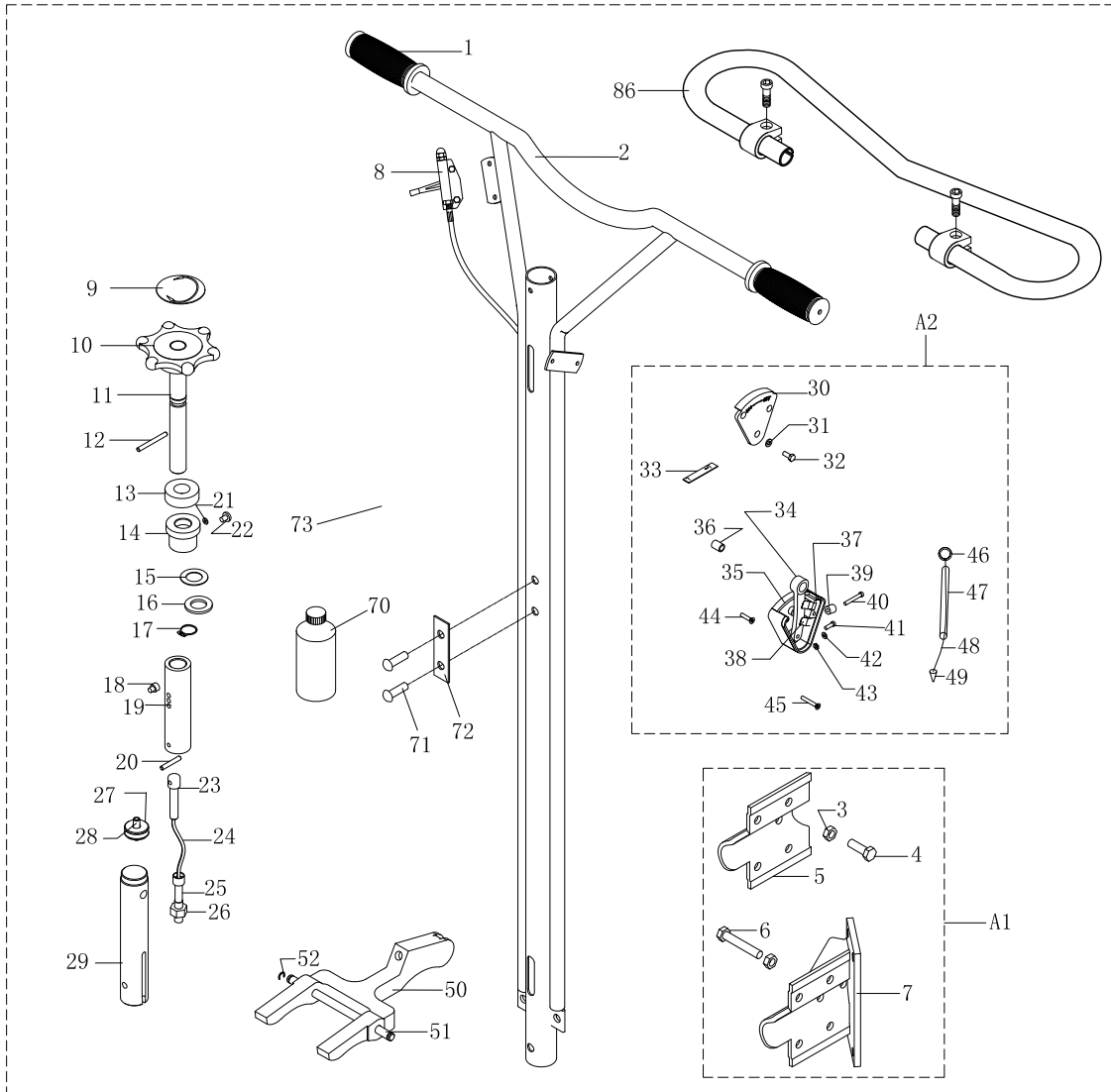
MODEL FP440

PART NO.

F03440



ITEM NO.	PART NO.	DESCRIPTION	QUANTITY	NOTES
1	F01433	LABEL, USE UNLEADED PETROL ONLY	1	
2	F03455	DECAL, SAFETY, PETROL MOTOR	1	
3	F03456	DECAL, SAFETY, POWER TROWEL	1	
4	F03451	DECAL, FLEXTOL, 139MM X 38MM	1	
5	F03454	DECAL, FLEXTOL, DIA.75MM	1	





Flextool

SERVICE SHEET F03443 ISSUE 110609

WALK BEHIND TROWEL FP440 PARTS LIST

**PART NO.
F03440**

ITEM NO.	PART NO.	DESCRIPTION	QUANTITY
A	FTP4365000	HANDLE ASSY (INCL. A1 & A2 BELOW)	1
1	FTP9035	HAND GRIP	2
2	FTP4465100	HANDLE WELDING PART	1
A1	FTP4365300	HANDLE SUPPORT PLATE ASSY	1
3	FTP9016	NUT	1
4	FTP9018	SCREW	1
5	FTP4365301	UPPER JOINT PLATE	1
6	FTP9017	SCREW	4
7	FTP4365302	LOWER JOINT PLATE	1
8	HP-STL-CAB-2380	THROTTLE LEVER & CABLE, 2380MM	1
9	FTP10050303	DECAL	1
10	FTP4365501	HANDLE WHEEL	1
11	FTP4365503	ADJUST SHAFT	1
12	FTP9024	PIN	1
13	FTP9025	BEARING	1
14	FTP4365502	BEARING	1
15	FTP9033	WASHER	1
16	FTP4365504	WASHER	1
17	FTP9027	CIRCLIP	1
18	FTP9028	BOLT	1
19	FTP4365505	ADJUST SHAFT BUSHING	1
20	FTP9030	PIN	1
21	FTP9022	WASHER	1
22	FTP9026	SCREW	1
23	FTP4365506	N/A	N/A
24	FTP9029	N/A	N/A
25	FTP4365507	N/A	N/A
26	FTP9016	NUT	1
27	FTP4365508	THROTTLE WIRE WHEEL	1
28	FTP9031	PIN	1
29	FTP4365511	WHEEL BUSHING	1
A2	FTP4365200	STOP SWITCH ASSY	1
30	FTP4365201	SWITCH COVER	1
31	FTP9010	WASHER	3
32	FTP9011	SCREW	3
33	FTP9015	PLATE, DIRECTION	1
34	FTP4365202	SWITCH LEVER	1
35	FTP4365203	SWITCH HOUSING	1
36	FTP4365204	SPACER	1
37	FTP4365206	CONTACT HOLDER	1



Flextool

SERVICE SHEET F03443 ISSUE 110609

WALK BEHIND TROWEL FP440 PARTS LIST

**PART NO.
F03440**

ITEM NO.	PART NO.	DESCRIPTION	QUANTITY
38	FTP4365205	CONTACT	1
39	FTP4365207	SPACER	1
40	FTP9002	SCREW	1
41	FTP9001	SCREW	1
42	FTP9003	WASHER	1
43	FTP9004	NUT	1
44	FTP9006	SCREW	1
45	FTP1112	SCREW	1
46	FTP9007	N/A	1
47	FTP9008	N/A	1
48	FTP9009	N/A	1
49	FTP9012	N/A	1
<hr/>			
50	FTP4365510	YOKE ARM	1
51	FTP4365509	YOKE ARM SHAFT	1
52	FTP9034	RETAINING RING	1
53	N/A	N/A	N/A
54	N/A	N/A	N/A
<hr/>			
B	FTP4463000	CLUTCH ASSY	1
<hr/>			
55	FTP9155	KEY	1
56	FTP4463001	SPINDLE	1
57	FTP9142	BEARING	1
58	FTP4463006	BUSHING	1
59	FTP4463002	DRUM	1
60	FTP9335	SPRING	1
61	FTP4463004	WEIGHT	1
62	FTP4463005	WASHER	1
63	FTP9079	SCREW	1
64	FTP9062	SCREW	2
65	FTP4463003	FACE PLATE	1
<hr/>			
66	F09987	SPRING, COMPRESSION, THROTTLE	1
67	N/A	N/A	N/A
68	N/A	N/A	N/A
69	N/A	SCREW	4
70	F03531	WATER BOTTLE, POWER TROWELS	1
71	F03538	BLIND RIVET, ALUMINIUM, 4.8MM X 14.3	2
72	F03537	PLATE, WATER BOTTLE, TROWELS	1
73	F03530	HOLDER, WATER BOTTLE, TROWELS	1
74	F03442	SERIAL NUMBER PLATE, FP440	1
75	N/A	PLAIN WASHER	4
76	N/A	SPRING WASHER	4
77	FTP4408000	LIFTING HOOK, FP440	1



Flextool

SERVICE SHEET F03443 ISSUE 110609

WALK BEHIND TROWEL FP440 PARTS LIST

**PART NO.
F03440**

ITEM NO.	PART NO.	DESCRIPTION	QUANTITY
78	F01358	SCREW, PAN HEAD M4 X 0.8	1
79	H16594-883-010	HOLDER, WIRE	1
80	F01357	CIRCLIP, EXT. 5MM, "E" TYPE	1
81	F09216	NUT, M5 X 0.8	1
82	F03150	CONNECTOR, SCOT. CABLE CRIMP	1
83	F01957	MOTOR, HONDA GX270 QX, 9.0HP	1
84	H18331-ZE2-810	DEFLECTOR, MUFFLER, HONDA GX270	1
85	F01766	SCREW, SELF TAP. NO.8 X 0.375" P.HEAD	2
86	F03552	D-HANDLE, POWER TROWEL FP436 & FP.	1

SERVICE KITS:

	FTP9035-KT	SERVICE KIT, HAND GRIP	1
1	FTP9035	HAND GRIP	2
A2	FTP4365200	STOP SWITCH ASSY	1
30	FTP4365201	SWITCH COVER	1
31	FTP9010	WASHER	3
32	FTP9011	SCREW	3
33	FTP9015	PLATE, DIRECTION	1
34	FTP4365202	SWITCH LEVER	1
35	FTP4365203	SWITCH HOUSING	1
36	FTP4365204	SPACER	1
37	FTP4365206	CONTACT HOLDER	1
38	FTP4365205	CONTACT	1
39	FTP4365207	SPACER	1
40	FTP9002	SCREW	1
41	FTP9001	SCREW	1
42	FTP9003	WASHER	1
43	FTP9004	NUT	1
44	FTP9006	SCREW	1
45	FTP1112	SCREW	1
46	FTP9007	N/A	1
47	FTP9008	N/A	1
48	FTP9009	N/A	1
49	FTP9012	N/A	1
	FTP4365510-KT	SERVICE KIT, YOKE ARM ASSY	1
50	FTP4365510	YOKE ARM	1
51	FTP4365509	YOKE ARM SHAFT	1
52	FTP9034	RETAINING RING	1



Flextool

SERVICE SHEET F03443 ISSUE 110609

WALK BEHIND TROWEL FP440 PARTS LIST

**PART NO.
F03440**

ITEM NO.	PART NO.	DESCRIPTION	QUANTITY
B	FTP4463000	CLUTCH ASSY	1
55	FTP9155	KEY	1
56	FTP4463001	SPINDLE	1
57	FTP9142	BEARING	1
58	FTP4463006	BUSHING	1
59	FTP4463002	DRUM	1
60	FTP9335	SPRING	1
61	FTP4463004	WEIGHT	1
62	FTP4463005	WASHER	1
63	FTP9079	SCREW	1
64	FTP9062	SCREW	2
65	FTP4463003	FACE PLATE	1
	F03531-KT	SERVICE KIT, WATER BOTTLE	
70	F03531	WATER BOTTLE, POWER TROWELS	1
71	F03538	BLIND RIVET, ALUMINIUM, 4.8MM X 14.3	2
72	F03537	PLATE, WATER BOTTLE, TROWELS	1
73	F03530	HOLDER, WATER BOTTLE, TROWELS	1

SPARE PARTS:

1	FTP9035	HAND GRIP
8	HP-STL-CAB-2380	THROTTLE LEVER & CABLE, 2380MM
9	FTP10050303	DECAL
10	FTP4365501	HANDLE WHEEL
11	FTP4365503	ADJUST SHAFT
12	FTP9024	PIN
13	FTP9025	BEARING
14	FTP4365502	BEARING
18	FTP9028	BOLT
19	FTP4365505	ADJUST SHAFT BUSHING
20	FTP9030	PIN
27	FTP4365508	THROTTLE WIRE WHEEL
28	FTP9031	PIN
50	FTP4365510	YOKE ARM
51	FTP4365509	YOKE ARM SHAFT
52	FTP9034	RETAINING RING
66	F09987	SPRING, COMPRESSION, THROTTLE
70	F03531	WATER BOTTLE, POWER TROWELS
71	F03538	BLIND RIVET, ALUMINIUM, 4.8MM X 14.3
72	F03537	PLATE, WATER BOTTLE, TROWELS
73	F03530	HOLDER, WATER BOTTLE, TROWELS
74	F03438	SERIAL NUMBER PLATE, FP436



Flextool

SERVICE SHEET F03443 ISSUE 110609

**WALK BEHIND TROWEL
FP440 PARTS LIST**

**PART NO.
F03440**

ITEM NO.	PART NO.	DESCRIPTION	QUANTITY
77	FTP4408000	LIFTING HOOK, FP440	
78	F01358	SCREW, PAN HEAD M4 X 0.8	
79	H16594-883-010	HOLDER, WIRE	
80	F01357	CIRCLIP, EXT. 5MM, "E" TYPE	
81	F09216	NUT, M5 X 0.8	
82	F03150	CONNECTOR, SCOT. CABLE CRIMP	
83	F01957	MOTOR, HONDA GX270 QX, 9.0HP	
84	H18331-ZE2-810	DEFLECTOR, MUFFLER, HONDA GX270	
85	F01766	SCREW, SELF TAP. NO.8 X 0.375" P.HEAD	

COMPATIBLE ACCESSORIES:

86 F03552 D-HANDLE, POWER TROWEL FP436 & FP440



Flextool

SERVICE SHEET F03443 ISSUE 280110

WALK BEHIND TROWEL FP440 PARTS LIST

**PART NO.
F03440**

ITEM NO.	PART NO.	DESCRIPTION	QUANTITY
C	FTP4404001-SM	MOUNTING PLATE ASSY	1
1	FTP4404001	MOUNTING PLATE	2
2	FTP9042	SCREW	6
3	FTP4364004	WASHER	4
4	FTP9041	BOLT	4
5	FTP9036	HEX NUT	4
6	FTP9037	SPRING WASHER	4
7	FTP9038	PLAIN WASHER	4
8	FTP4364002	STEEL BOWL	4
9	FTP9039	PLAIN WASHER	4
10	FTP4364009	RUBBER WASHER	4
11	FTP9040	HEX BOLT	4
D	FTP4364000	GEARBOX ASSY	1
12	FTP4364005	GEARBOX COVER	1
13	FTP9043	SCREW	16
14	FTP4364008	PLASTIC SHIMMING	1
15	FTP4364007	FLAT HEAD SCREW, MAIN SHAFT	1
16	FTP4364006	WASHER	1
17	FTP9049	BEARING	1
18	FTP4364010	BRONZE GEAR	1
19	FTP9048	BEARING	1
20	FTP4364011	MAIN SHAFT	1
21	FTP9051	KEY	1
22	FTP9059	NUT	1
23	FTP9060	BOLT	1
24	FTP9052	KEY	1
25	FTP4364012	LEFT BEARING FLANGE	1
26	FTP9055	SEAL	1
27	FTP9057	BEARING	1
28	FTP4364100	RELEASE VALVE	1
29	FTP9062	SCREW	2
30	FTP9050	SEAL	1
31	FTP4364003	GEARBOX CASING	1
32	FTP9054	KEY	1
33	FTP4364013	COUNTER SHAFT	1
34	FTP9063	BEARING	1
35	FTP4364014	RIGHT BEARING FLANGE	1
36	FTP4364015	PLASTIC SHIMMING	2
37	FTP9056	SEAL	1
38	FTP9053	PLUG	1
39	FTP9064	SIGHT GLASS	1
40	FTP9044	BOLT	4
41	FTP9047	WASHER	5
42	FTP9046	WASHER	5



SERVICE SHEET F03443 ISSUE 280110

WALK BEHIND TROWEL FP440 PARTS LIST

**PART NO.
F03440**

ITEM NO.	PART NO.	DESCRIPTION	QUANTITY
43	FTP9045	NUT	5
44	FTP4462001	PULLEY	1
45	FTP9161	V-BELT	1
46	FTP4362100	BELT GUARD ASSY	1
47	FTP9058	LOCK PIN	8
<hr/>			
48	FTP4366002	PRESSURE PLATE COVER	1
49	FTP9070	BEARING	1
50	FTP4366003	PRESSURE PLATE	1
E	FTP4406000	SPIDER PLATE ASSY	1
<hr/>			
51	FTP4366005	SPIDER PLATE	1
52	FTP4366004	BUSHING	1
53	FTP9068	BOLT	1
54	FTP9069	NIPPLE CAP	4
55	FTP9066	SCREW	4
56	FTP9046	WASHER	4
57	FTP4366006	ANGLE ARM	4
58	FTP9067	SCREW	4
59	FTP4406001	TROWEL ARM	4
60	FTP9065	SCREW	4
61	FTP9059	NUT	8
62A	FTP9131	HEX BOLT, 5/16"-18UNC X 2"	4
62B	FTP9071	HEX BOLT, 5/16"-18UNC X 1.5"	4
63A	FTP9037	SPRING WASHER	8
63B	FTP9038	PLAIN WASHER	8
64	FTP4366007	SCREW ADJUSTER	4
<hr/>			
65	FTP4366911	PLUG, PLASTIC	4
66*	SEE BELOW	BLADE	4
F	FTP4407000	GUARD RING ASSY	1
<hr/>			
67	FTP4407009	TOP RING	1
68	FTP4407005	SUPPORTING PLATE	2
69	FTP4407002	MAIN FRAME 1	1
70	FTP4407008	MIDDLE RING 1	1
71	FTP4407007	MIDDLE RING 2	1
72	FTP4407006	MIDDLE RING 3	1
73	FTP4407003	MAIN FRAME 2	1
74	FTP4407001	BOTTOM RING	1
75	FTP4407004	CROSS BAR	1
<hr/>			
76*	SEE BELOW	FLOAT PAN	1

 SERVICE SHEET F03443 ISSUE 280110		WALK BEHIND TROWEL FP440 PARTS LIST	PART NO. F03440
ITEM NO.	PART NO.	DESCRIPTION	QUANTITY

COMPATIBLE ACCESSORIES:

BLADES

66	BR-20479	COMBINATION BLADE, 8" X 14"	4
	BR-20479P	PLASTIC COMBO BLADE, 8" X 14"	4
	BR-20415	FLOATING BLADE, 10" X 14"	4
	BR-20414	FINISHING BLADE, 6" X 14"	4

FLOAT PANS

76	BR-B440PAN	FLOAT PAN, 42", 23.3KG	1
----	------------	------------------------	---

SERVICE KITS:

FTP436-440-BLT		SERVICE KIT, BLADE BOLTS & WASHERS	1
62A	FTP9131	HEX BOLT, 5/16"-18UNC X 2"	4
62B	FTP9071	HEX BOLT, 5/16"-18UNC X 1.5"	4
63A	FTP9037	SPRING WASHER	8
63B	FTP9038	PLAIN WASHER	8
FTP4364000-KT		SERVICE KIT, GEARBOX ASSY	
14	FTP4364008	PLASTIC SHIMMING	1
17	FTP9049	BEARING	1
19	FTP9048	BEARING	1
26	FTP9055	SEAL	1
27	FTP9057	BEARING	1
30	FTP9050	SEAL	1
34	FTP9063	BEARING	1
36	FTP4364015	PLASTIC SHIMMING	2
37	FTP9056	SEAL	1
FTP4406000-KT		SERVICE KIT, SPIDER PLATE ASSY	1
52	FTP4366004	BUSHING	1
53	FTP9068	BOLT	1
54	FTP9069	NIPPLE CAP	4
58	FTP9067	SCREW	4
60	FTP9065	SCREW	4
61	FTP9059	NUT	8
62	FTP9071	BOLT	8
63	FTP9037	SPRING WASHER	8
64	FTP4366007	SCREW ADJUSTER	4



Flextool

SERVICE SHEET F03443 ISSUE 280110

WALK BEHIND TROWEL FP440 PARTS LIST

PART NO.
F03440

ITEM NO.	PART NO.	DESCRIPTION	QUANTITY
----------	----------	-------------	----------

SPARE PARTS:

1	FTP4404001	MOUNTING PLATE
2	FTP9042	SCREW
3	FTP4364004	WASHER
4	FTP9041	BOLT
5	FTP9036	HEX NUT
6	FTP9037	SPRING WASHER
7	FTP9038	PLAIN WASHER
8	FTP4364002	STEEL BOWL
9	FTP9039	PLAIN WASHER
10	FTP4364009	RUBBER WASHER
11	FTP9040	HEX BOLT
12	FTP4364005	GEARBOX COVER
13	FTP9043	SCREW
14	FTP4364008	PLASTIC SHIMMING
17	FTP9049	BEARING
18	FTP4364010	BRONZE GEAR
19	FTP9048	BEARING
20	FTP4364011	MAIN SHAFT
21	FTP9051	KEY
24	FTP9052	KEY
26	FTP9055	SEAL
27	FTP9057	BEARING
28	FTP4364100	RELEASE VALVE
30	FTP9050	SEAL
32	FTP9054	KEY
33	FTP4364013	COUNTER SHAFT
34	FTP9063	BEARING
36	FTP4364015	PLASTIC SHIMMING
37	FTP9056	SEAL
38	FTP9053	PLUG
39	FTP9064	SIGHT GLASS
44	FTP4462001	PULLEY
45	FTP9161	V-BELT
46	FTP4362100	BELT GUARD ASSY
47	FTP9058	LOCK PIN
52	FTP4366004	BUSHING
53	FTP9068	BOLT
54	FTP9069	NIPPLE CAP



Flextool

SERVICE SHEET F03443 ISSUE 280110

**WALK BEHIND TROWEL
FP440 PARTS LIST**

**PART NO.
F03440**

ITEM NO.	PART NO.	DESCRIPTION	QUANTITY
58	FTP9067	SCREW	
60	FTP9065	SCREW	
61	FTP9059	NUT	
62	FTP9071	BOLT	
63	FTP9037	SPRING WASHER	
64	FTP4366007	SCREW ADJUSTER	



For more information on our product range, visit one of our branches or log onto www.parchem.com.au.

New South Wales

Penrith

4/31 Jack Williams Dve
Tel: 02 4722 9259

Narellan

Unit 1, 7-9 Gallipoli St
Tel: 02 4647 0623

Padstow

119 Fairford Rd
Tel: 02 9771 6626

Riverstone

14 Edward St
Tel: 02 9627 9133

Coffs Harbour

1/5 Industrial Dve
Tel: 02 6652 3599

Thornton

45 Glenwood Dve
Tel: 02 4964 4277

Tuggerah*

4 Ace Cres
Tel: 02 4352 2287

Moorebank*

52 Heathcote Rd
Tel: 02 9601 1422

South Australia

Hindmarsh*

29/31 Manton St
Tel: 08 8241 6000

Victoria

Brunswick

400 Victoria St
Tel: 03 9326 8300

Berwick

3/21-23 Enterprise Ave
Tel: 03 9796 1027

Campbellfield

24 Foden Ave
Tel: 03 9308 6133

Queensland

Brendale

33 Kremzow Rd
Tel: 07 3889 7600

Nerang

12 Hilldon Crt
Tel: 07 5527 2227

Springwood

1/58 Parramatta Rd
Tel: 07 3808 8133

Garbut

336 Bayswater Rd
Tel: 07 4729 5911

Western Australia

Belmont

45 Belmont Ave
Tel: 08 6279 9799

* Parchem Construction Supplies Trade Stores which stock a comprehensive range of Parchem products.