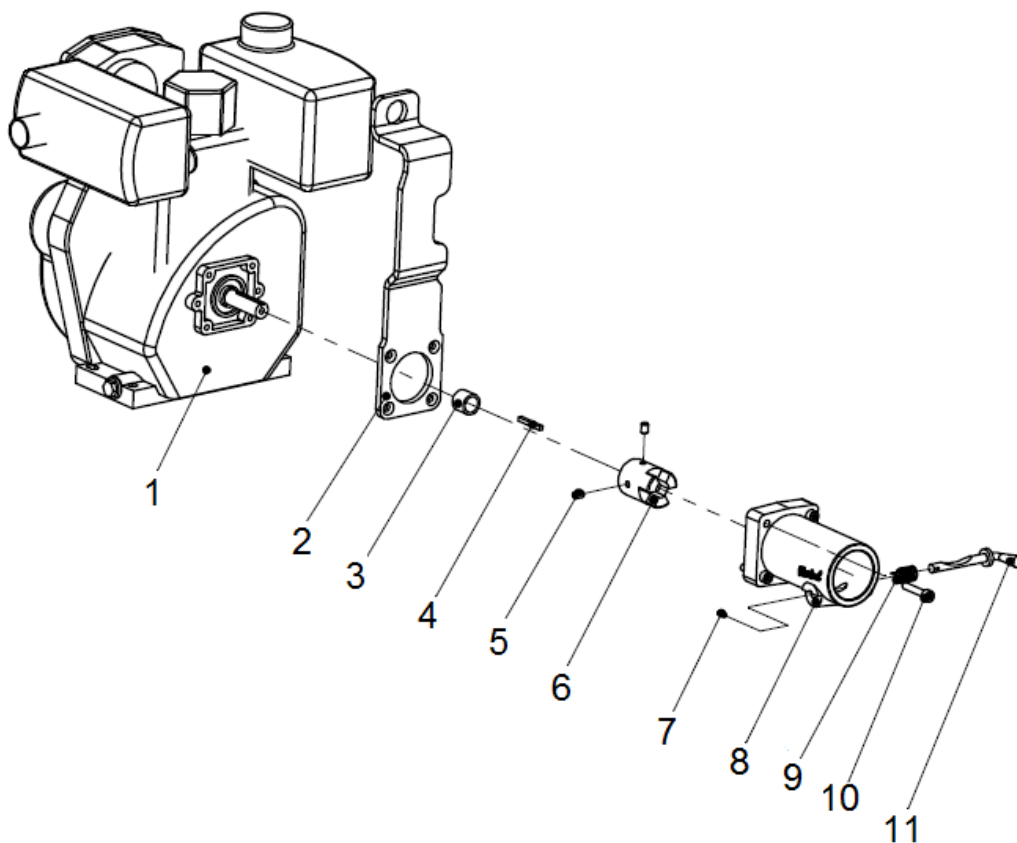




SPARE PARTS MANUAL

FLX DRIVE UNIT DIESEL 4.8HP
FDU-D2

181207



Applies to product from Serial Number E01-10000

1300 353 986

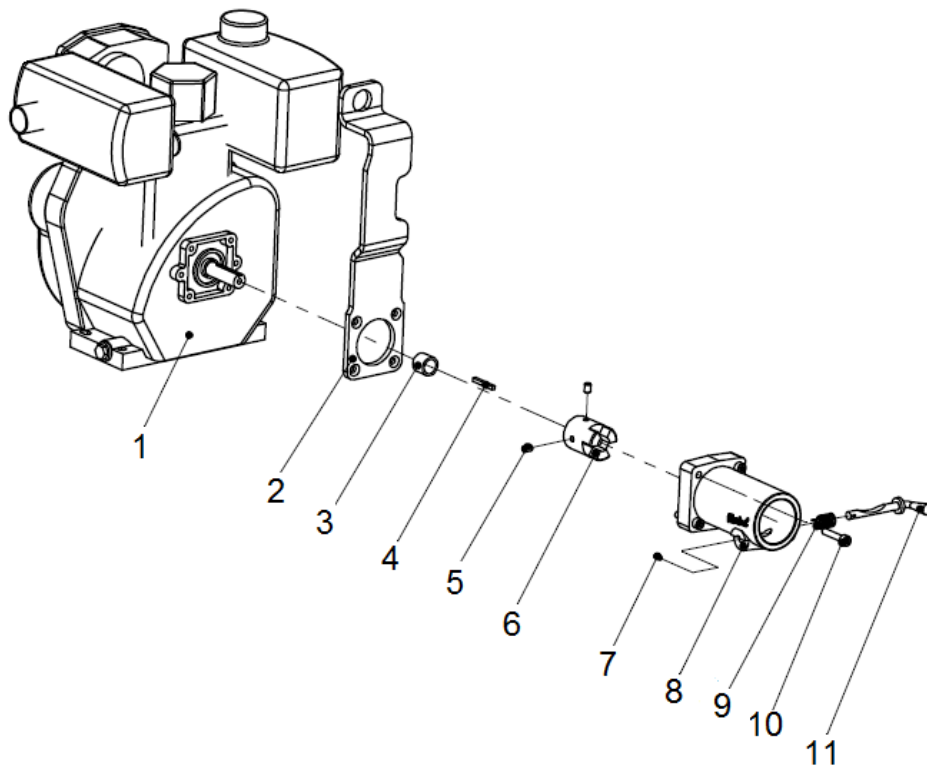
www.flextool.com.au



Flextool[®]

SINCE 1951

Parchem Construction Supplies Pty Ltd
7 Lucca Road, Wyong NSW AUS 2259



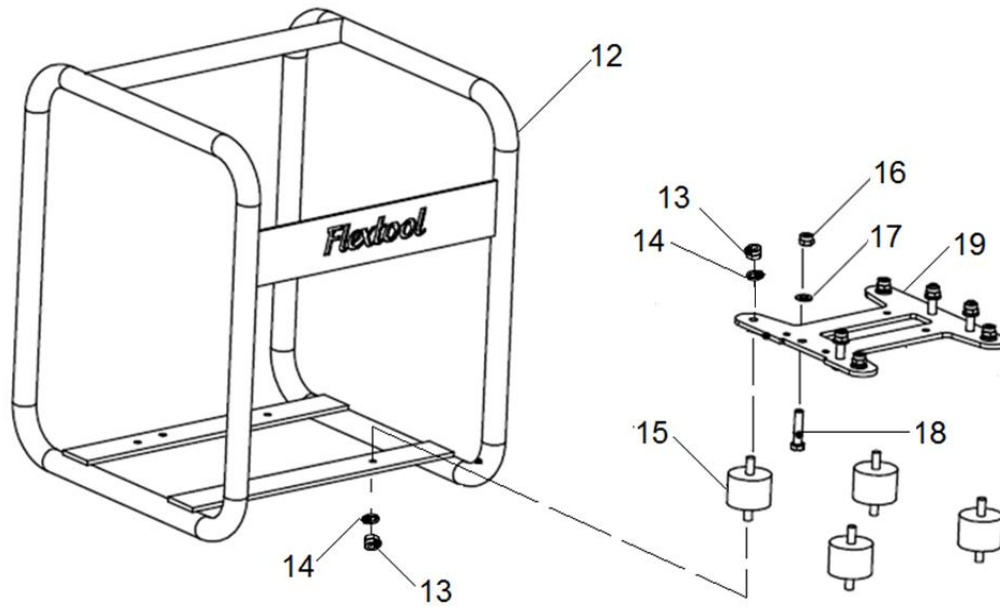
Engine & Coupling

Item No.	Product Code	Description	Qty	Remarks
1	NPS01710-UNIT	YAN ENGINE YANMAR L48N5 (RECOIL START)	1	
2	NPS02891-UNIT	FLX LIFTING HOOK (CNVR3-010)	1	
3	See Remarks	FLX SPACER (CNVR1-006)	1	Use SK-1
4	See Remarks	FLX KEY (CNVR1-007)	1	Use SK-1
5	See Remarks	FLX GRUB SCREW (CNVR1-008)	2	Use SK-1
6	See Remarks	FLX DRIVE DOG (CNVR1-009)	1	Use SK-1
7	See Remarks	FLX ROLL PIN (CNVR1-011)	1	Use AS-1 or SK-2
8	See Remarks	FLX BELL HOUSING (CNVR1-012)	1	Use AS-1
9	See Remarks	FLX TRIGGER SPRING (CNVR1-013)	1	Use AS-1 or SK-2
10	NPS01581-UNIT	FLX SOCKET HEAD CAP SCREW (CNVR3-015)	4	
11	See Remarks	FLX TRIGGER (CNVR1-014)	1	Use AS-1 or SK-2

Engine & Coupling - Assembly / Service Kits

Item No.	Product Code	Description	Qty	Remarks
AS-1	NPS03374-UNIT	FLX ASSY BELL HOUSING (CNVR3-017)	1	Inc Items: 7, 8, 9, 11

SK-1	NPS07161-UNIT	FLX SERVICE KIT DRIVE DOG GX160-QX (CNVR3-016)	1	Inc Items: 3 - 6
SK-2	NPS07159-UNIT	FLX SERVICE KIT TRIGGER (CNVR3-019)	1	Inc Items: 7, 9, 11



Frame & Engine Mount

Item No.	Product Code	Description	Qty	Remarks
12	NPS03047-UNIT	FLX DRIVE UNIT FRAME FDU-D2 / DE2 (CNVR6A-007)	1	
13	See Remarks	FLX NYLOCK NUT (CNVR4A-001)	8	Use SK-3
14	See Remarks	FLX FLAT WASHER (CNVR4A-002)	8	Use SK-3
15	See Remarks	FLX RUBBER MOUNT (CNVR4A-005)	4	Use SK-3
16	See Remarks	FLX NYLOCK NUT (CNVR6A-001)	4	Use SK-4
17	See Remarks	FLX FLAT WASHER (CNVR6A-002)	4	Use SK-4
18	See Remarks	FLX BOLT (CNVR6A-004)	4	Use SK-4
19	NPS09081-UNIT	FLX ENGINE MOUNTING PLATE (CNVR5A-003)	1	

Frame & Engine Mount - Assembly / Service Kits

Item No.	Product Code	Description	Qty	Remarks
SK-3	NPS01579-UNIT	FLX SERVICE KIT RUBBER MOUNT FDU (CNVR2-020)	1	Inc Items: 13 - 14
SK-4	NPS03048-UNIT	FLX SERVICE KIT BOLT SET FDU (CNVR6A-008)	1	Inc Items: 16 - 17