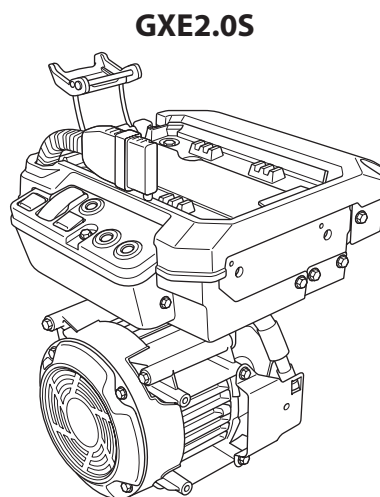
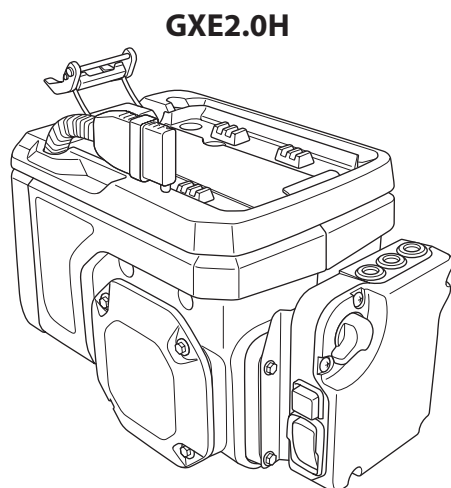


HONDA

DC POWER UNIT
UNITE D'ALIMENTATION CC
DC-ANTRIEBSMOTOR
UNIDAD DE ALIMENTACIÓN DE CC
DC-VOEDINGSUNIT
GRUPPO DI ALIMENTAZIONE CC
DCパワーユニット
GXE2.0H/GXE2.0S



OWNER'S MANUAL ORIGINAL INSTRUCTION
MANUEL DE L'UTILISATEUR INSTRUCTIONS D'ORIGINE
BEDIENUNGSANLEITUNG ORIGINALANLEITUNG
MANUAL DEL PROPIETARIO INSTRUCCIÓN ORIGINAL
INSTRUCTIEHANDLEIDING OORSPRONKELIJKE INSTRUCTIE
MANUALE DELL'UTENTE ISTRUZIONI ORIGINALI
取扱説明書

©2021 Honda Motor Co., Ltd. -All Rights Reserved

GXE2.0H/GXE2.0S
3R8A0603
00X3R-8A0-6030



00X3R8A0 6030

Printed in Japan

ENGLISH

FRANÇAIS

DEUTSCH

ESPAÑOL

NEDERLANDS

ITALIANO

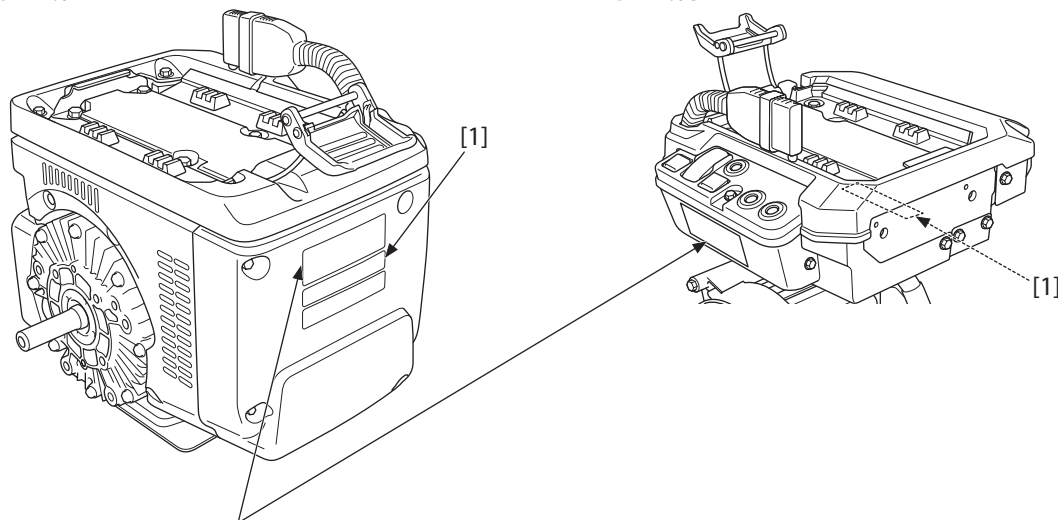
日本語

SAFETY LABEL LOCATION / EMBLACEMENT DE L'ETIQUETTE DE SECURITE / POSITION VON SICHERHEITSPAKETTEN / UBICACIÓN DE LAS ETIQUETAS DE SEGURIDAD / LOCATIE VEILIGHEIDSTICKER / POSIZIONE DELL'ETICHETTA DI SICUREZZA / 安全ラベル

Figure/Abbildung/Figura/Figuur 図 1

GXE2.0H

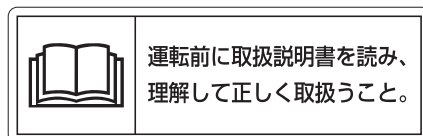
GXE2.0S



[2]



[3]



[4]



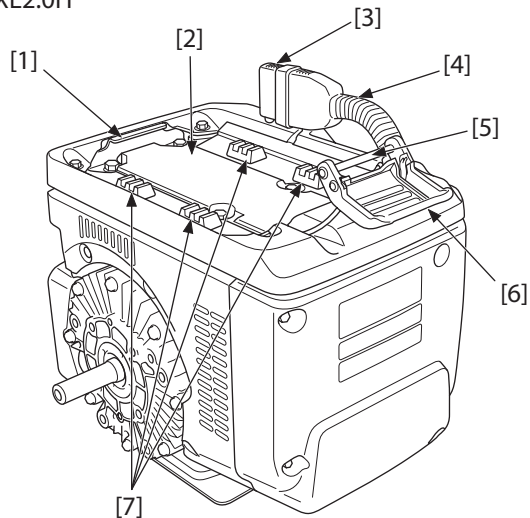
[5]

EN	[1] Serial Number [2] For U.S. [3] For Japan [4] For Europe and Other Countries [5] Read Owner's Manual before operation.	FR	[1] Numéro de série [2] Pour les États-Unis [3] Pour le Japon [4] Pour l'Europe et d'autres pays [5] Lisez le manuel du propriétaire avant utilisation.
DE	[1] Seriennummer [2] Für die USA [3] Für Japan [4] Für Europa und andere Länder [5] Vor Inbetriebnahme die Bedienungsanleitung lesen.	ES	[1] Número de serie [2] Para EE. UU. [3] Para Japón [4] Para Europa y otros países [5] Lea el Manual del propietario antes de la operación.
NL	[1] Seriennummer [2] Voor VS. [3] Voor Japan [4] Voor Europa en andere landen [5] Lees het instructieboekje voor gebruik.	IT	[1] Numero di serie [2] Per gli Stati Uniti [3] Per il Giappone [4] Per l'Europa e altri Paesi [5] Leggere il Manuale utente prima dell'uso.
JP	[1] シリアルナンバー [2] U.S.向け [3] 日本向け [4] 欧州その他諸国向け [5] ご使用の前に、取扱説明書をよくお読みください。		

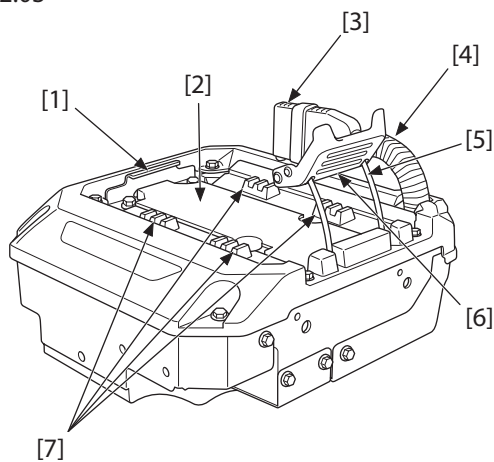
**COMPONENT & CONTROL LOCATIONS / EMBLACEMENT DES COMPOSANTS ET COMMANDES /
LAGE DER KOMPONENTEN UND BEDIENUNGSELEMENTE / UBICACIONES DE LOS COMPONENTES Y
CONTROLES / LOCATIES VAN COMPONENTEN & SCHAKELAARS / POSIZIONI DEI COMPONENTI E DEI
COMANDI / 各部の名称**

Figure/Abbildung/Figura/Figuur 図 2

GXE2.0H



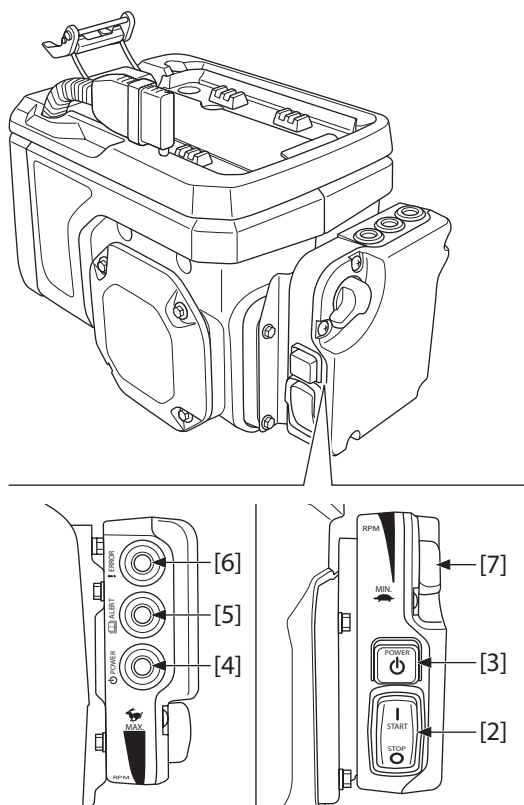
GXE2.0S



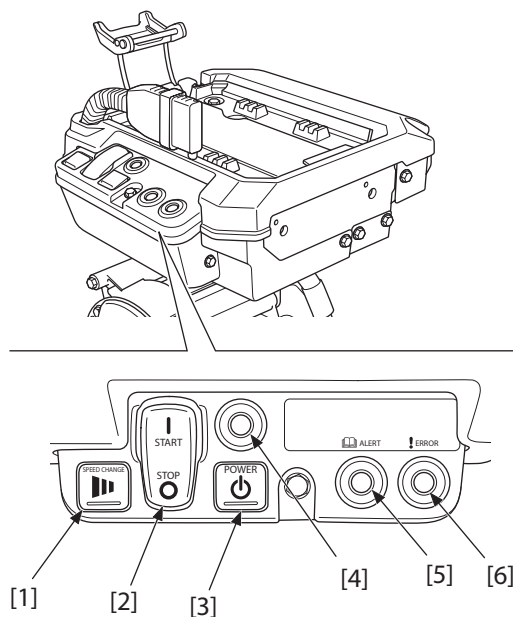
EN	[1] Battery Hook [2] Battery Tray [3] Battery Connector Cap [4] Power Cable [5] Battery Fastener [6] Battery Fastener Lever [7] Rubber Support
FR	[1] Crochet de la batterie [2] Plateau de batterie [3] Capuchon du connecteur de batterie [4] Câble d'alimentation [5] Fixation de la batterie [6] Levier de fixation de la batterie [7] Support en caoutchouc
DE	[1] Akkuhaken [2] Akkuhalter [3] Schutzkappe des Akkusteckers [4] Netzkabel [5] Akkubefestigung [6] Akku-Befestigungshebel [7] Gummistütze
ES	[1] Gancho de la batería [2] Bandeja de la batería [3] Tapa del conector de la batería [4] Cable de alimentación [5] Sujeción de la batería [6] Palanca de sujeción de la batería [7] Soporte de goma
NL	[1] Accuhaak [2] Accuhouder [3] Deksel accu-aansluiting [4] Stroomkabel [5] Accubevestiging [6] Accubevestigingshendel [7] Rubberen steun
IT	[1] Gancio batteria [2] Base batteria [3] Cappuccio connettore batteria [4] Cavo di alimentazione [5] Dispositivo di fissaggio batteria [6] Leva dispositivo di fissaggio batteria [7] Supporto in gomma
JP	[1] バッテリーフック [2] バッテリートレイ [3] バッテリーコネクタキャップ [4] パワーケーブル [5] バッテリーファスナー [6] バッテリーファスナーレバー [7] バッテリーマウントラバー

Figure/Abbildung/Figura/Figuur 図 3

GXE2.0H

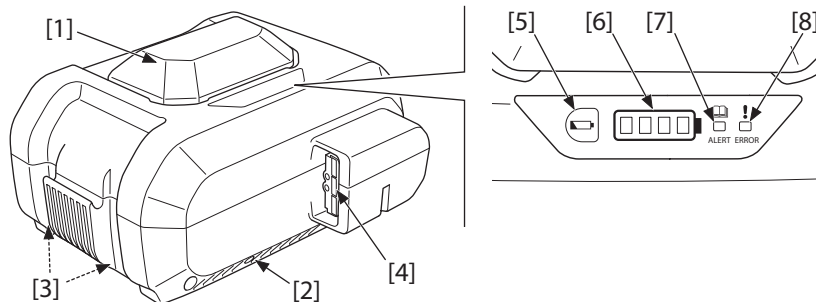


GXE2.0S



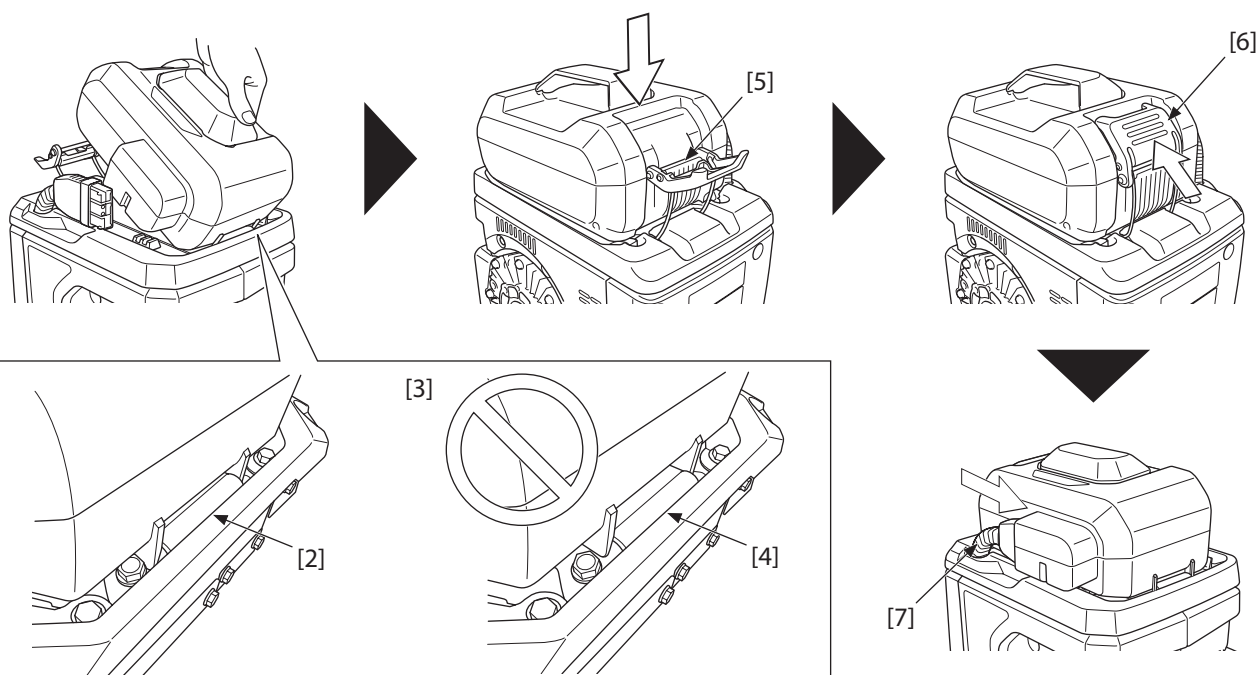
EN	<ul style="list-style-type: none"> [1] SPEED CHANGE Button [2] START/STOP Switch [3] POWER Button [4] POWER Indicator [5] ALERT Indicator [6] ERROR Indicator [7] Speed Control Lever (applicable types) 	FR	<ul style="list-style-type: none"> [1] Bouton SPEED CHANGE (CHANGEMENT DE VITESSE) [2] Interrupteur START/STOP (MARCHE/ARRÊT) [3] Bouton POWER (ALIMENTATION) [4] Témoin POWER (MISE SOUS TENSION) [5] Témoin ALERT (ATTENTION) [6] Témoin ERROR (ERREUR) [7] Levier de commande de vitesse (types applicables)
DE	<ul style="list-style-type: none"> [1] SPEED CHANGE (GESCHWINDIGKEITSÄNDERUNGS)-Taste [2] START/STOP (START/STOPP)-Schalter [3] POWER (EIN)-Schalter [4] POWER (EIN)-Anzeige [5] ALERT (WARN)-Anzeige [6] ERROR (FEHLER)-Anzeige [7] Geschwindigkeitssteuerhebel (anwendbare Typen) 	ES	<ul style="list-style-type: none"> [1] Botón SPEED CHANGE (CAMBIO DE VELOCIDAD) [2] Interruptor START/STOP (INICIAR/PARAR) [3] Botón POWER (ALIMENTACIÓN) [4] Indicador POWER (ALIMENTACIÓN) [5] Indicador ALERT (ALERTA) [6] Indicador ERROR (ERROR) [7] Palanca de control de velocidad (tipos aplicables)
NL	<ul style="list-style-type: none"> [1] SPEED CHANGE (SNELHEIDSVERANDERING)-knop [2] START/STOP-schakelaar [3] POWER (STROOM)-knop [4] POWER (STROOM)-indicatielampje [5] ALERT (WAARSCHUWING)-indicatielampje [6] ERROR (FOUT)-indicatielampje [7] Snelheidregelingshendel (van toepassing zijnde types) 	IT	<ul style="list-style-type: none"> [1] Pulsante SPEED CHANGE (CAMBIO VELOCITÀ) [2] Interruttore START/STOP (AVVIO/ARRESTO) [3] Pulsante POWER (ALIMENTAZIONE) [4] Indicatore POWER (ALIMENTAZIONE) [5] Indicatore ALERT (AVVISO) [6] Indicatore ERROR (ERRORE) [7] Leva di controllo della velocità (tipi applicabili)
JP	<ul style="list-style-type: none"> [1] SPEED CHANGEボタン [2] START/STOPスイッチ [3] POWERボタン [4] POWERインジケータ [5] ALERTインジケータ [6] ERRORインジケータ [7] 回転数調整レバー 		

Figure/Abbildung/Figura/Figuur 圖 4



EN	<ul style="list-style-type: none"> [1] Grip [2] Intake Port (both sides) [3] Exhaust Port (bottom) [4] Battery Connector [5] Charge Level Check Button [6] Charge Level Indicator [7] ALERT Indicator [8] ERROR Indicator 	FR	<ul style="list-style-type: none"> [1] Poignée [2] Orifice d'admission (des deux côtés) [3] Orifice d'échappement (bas) [4] Connecteur de batterie [5] Bouton de vérification du niveau de charge [6] Témoin de niveau de charge [7] Témoin ALERT (ATTENTION) [8] Témoin ERROR (ERREUR)
DE	<ul style="list-style-type: none"> [1] Griff [2] Einlass (beide Seiten) [3] Auslass (unten) [4] Akkustecker [5] Prüftaste für den Ladestand [6] Ladezustandsanzeige [7] ALERT (WARN)-Anzeige [8] ERROR (FEHLER)-Anzeige 	ES	<ul style="list-style-type: none"> [1] Empuñadura [2] Puerto de admisión (ambos lados) [3] Puerto de escape (inferior) [4] Conector de la batería [5] Botón de comprobación del nivel de carga [6] Indicador del nivel de carga [7] Indicador ALERT (ALERTA) [8] Indicador ERROR (ERROR)
NL	<ul style="list-style-type: none"> [1] Handgreep [2] Inlaatpoort (beide zijden) [3] Uitlaatpoort (onder) [4] Accu-aansluiting [5] Controletoets voor het laadniveau [6] Laadniveau-indicator [7] ALERT (WAARSCHUWING)-indicatielampje [8] ERROR (FOUT)-indicatielampje 	IT	<ul style="list-style-type: none"> [1] Impugnatura [2] Porta di aspirazione (entrambi i lati) [3] Porta di scarico (inferiore) [4] Connettore batteria [5] Pulsante di controllo del livello di carica [6] Indicatore del livello di carica [7] Indicatore ALERT (AVVISO) [8] Indicatore ERROR (ERRORE)
JP	<ul style="list-style-type: none"> [1] グリップ [2] 吸気口 (両側) [3] 排気口 (底面) [4] バッテリーコネクタ [5] 充電レベル確認ボタン [6] 充電レベルインジケータ [7] ALERTインジケータ [8] ERRORインジケータ 		

Figure/Abbildung/Figura/Figuur 図 5



EN	<p>[1] Correct</p> <p>[2] Claw of the Battery Pack is securely inserted into the battery hook.</p> <p>[3] Incorrect</p> <p>[4] Claw of the Battery Pack is not inserted into the battery hook.</p> <p>[5] Battery Fastener</p> <p>[6] Battery Fastener Lever</p> <p>[7] Power Cable</p>	FR	<p>[1] Correct</p> <p>[2] L'érgot du bloc-batterie est fermement inséré dans le crochet de la batterie.</p> <p>[3] Incorrect</p> <p>[4] L'érgot du bloc-batterie n'est pas inséré dans le crochet de la batterie.</p> <p>[5] Fixation de la batterie</p> <p>[6] Levier de fixation de la batterie</p> <p>[7] Câble d'alimentation</p>
DE	<p>[1] Richtig</p> <p>[2] Die Klaue des Akkupacks ist sicher in den Akkuhaken eingesetzt.</p> <p>[3] Falsch</p> <p>[4] Die Klaue des Akkupacks ist nicht in den Akkuhaken eingesetzt.</p> <p>[5] Akkubefestigung</p> <p>[6] Akku-Befestigungshebel</p> <p>[7] Netzkabel</p>	ES	<p>[1] Correcto</p> <p>[2] La garras de la batería está insertada de forma segura en el gancho de la batería.</p> <p>[3] Incorrecto</p> <p>[4] La garras de la batería no está insertada de forma segura en el gancho de la batería.</p> <p>[5] Sujeción de la batería</p> <p>[6] Palanca de sujeción de la batería</p> <p>[7] Cable de alimentación</p>
NL	<p>[1] Correct</p> <p>[2] De klem van de accu is stevig in de accuhaak geplaatst.</p> <p>[3] Onjuist</p> <p>[4] De klem van de accu is niet stevig in de accuhaak geplaatst.</p> <p>[5] Accubevestiging</p> <p>[6] Accubevestigingshendel</p> <p>[7] Stroomkabel</p>	IT	<p>[1] Corretto</p> <p>[2] La griffa del gruppo batteria è saldamente inserita nel gancio della batteria.</p> <p>[3] Non corretto</p> <p>[4] La griffa del gruppo batteria non è saldamente inserita nel gancio della batteria.</p> <p>[5] Dispositivo di fissaggio batteria</p> <p>[6] Leva dispositivo di fissaggio batteria</p> <p>[7] Cavo di alimentazione</p>
JP	<p>[1] OK</p> <p>[2] バッテリーパックの爪がバッテリーフックの奥まで嵌合されている。</p> <p>[3] NG</p> <p>[4] バッテリーパックの爪がバッテリーフックの奥まで嵌合されていない。</p> <p>[5] バッテリーファスナー</p> <p>[6] バッテリーファスナーレバー</p> <p>[7] パワーケーブル</p>		

MEMO / MEMO / NOTIZ / MEMO / MEMO / PROMEMORIA / メモ

MEMO / MEMO / NOTIZ / MEMO / MEMO / PROMEMORIA / メモ

INTRODUCTION

Thank you for purchasing a Honda DC Power Unit. This manual contains information on how to use it; please carefully read the manual before using the DC Power Unit.

Battery Pack and Battery Charger are provided with each owner's manual. Follow them when you operate the Battery Pack or Battery Charger.

If a problem should arise, or if you have any questions about your product, consult your servicing dealer.

The product pictured in this owner's manual may not match your actual product.

This manual should be considered a permanent part of the DC Power Unit and should remain with the DC Power Unit if resold.

We suggest you read the warranty policy to fully understand its coverage and your responsibilities of ownership.

You need a genuine Battery Pack and genuine Battery Charger to use the DC Power Unit.


- Do not use a non-genuine Battery Pack. Using a non-genuine Battery Pack could damage itself and the DC Power Unit because of poor protection functions, etc.

CONTENTS

INTRODUCTION.....	1
SAFETY MESSAGES	1
DC POWER UNIT SAFETY	1
IMPORTANT SAFETY INFORMATION.....	1
SAFETY LABEL LOCATION.....	2
COMPONENT & CONTROL LOCATIONS.....	2
PRE-OPERATION CHECKS.....	2
OPERATION	2
CHARGING THE BATTERY PACK	2
ATTACHING THE BATTERY PACK.....	2
STARTING THE DC POWER UNIT.....	3
CHECKING THE CHARGE LEVEL OF THE BATTERY PACK.....	3
STOPPING THE DC POWER UNIT	3
REMOVING THE BATTERY PACK.....	3
SERVICING YOUR DC POWER UNIT.....	4
THE IMPORTANCE OF MAINTENANCE	4
MAINTENANCE SCHEDULE	4
TRANSPORTING.....	4
CLEANING	4
STORAGE.....	4
DISPOSAL	5
TROUBLESHOOTING.....	5
SPECIFICATIONS.....	5
CONSUMER INFORMATION.....	6
REFERENCE.....	7
FOR MACHINE MANUFACTURERS	7

SAFETY MESSAGES

Your safety and the safety of others are very important. We have provided important safety messages in this manual. Please read these messages carefully.

A safety message alerts you to potential hazards that could hurt you or others. Each safety message is preceded by a safety alert symbol  and one of three signal words, DANGER, WARNING, or CAUTION.

These signal words mean:

 **DANGER**

You WILL be KILLED or SERIOUSLY HURT if you don't follow instructions.

 **WARNING**

You CAN be KILLED or SERIOUSLY HURT if you don't follow instructions.

 **CAUTION**

You CAN be HURT if you don't follow instructions.

You will also see other important messages that are preceded by the word NOTICE.

This word means:

NOTICE

Information to help you avoid damage to your DC Power Unit, other property, or the environment.

DC POWER UNIT SAFETY

IMPORTANT SAFETY INFORMATION

For your safety and the safety of others, always follow the instructions below.

- Before you start operations, review and understand these instructions and the instructions provided with the equipment powered by this DC Power Unit.
- Get yourself familiar with the operation of all controls and learn how to stop the DC Power Unit quickly.
- Do not allow anyone to operate the DC Power Unit without proper instructions. Also, do not allow children to touch the DC Power Unit. Failure to do so can cause serious injury or damage to the DC Power Unit.
- Do not remove the cover, label and other parts. Also, do not disassemble or modify the DC Power Unit, which may result in malfunction or injuries.
- Do not operate the DC Power Unit if you are under the influence of alcohol or drugs. Impaired judgement can cause serious injuries.
- Always perform a pre-operation inspection before each operation and correct any problems.
- Use a genuine Battery Pack.
DP72104Z
- To avoid electric shock, fire and serious injury, always remove the Battery Pack from the DC Power Unit when carrying or checking it.
- Do not place objects on the top of the DC Power Unit even if it is turned off. DC Power Unit may be deformed or can cause a malfunction or injuries.
- Keep the Battery Pack clean and dry.
- Do not allow them to come into contact with water.
- Do not couple the DC Power Unit to an equipment before consulting with qualified personnel. Improper coupling may lead to injuries or operation concerns.

SAFETY LABEL LOCATION

See figure 1 on page II.

Safety labels are affixed to the DC Power Unit for your instruction.

Carefully read these safety labels and the safety precautions in this manual.

If the labels affixed to the product become unreadable, such as if they are torn, or lost, replace them with new labels.

Contact your Honda dealer to purchase a replacement.

COMPONENT & CONTROL LOCATIONS

See figure 2 on page III and figure 3 on page IV.

PRE-OPERATION CHECKS

Check the following points before you operate the DC Power Unit. Before beginning your pre-operation checks, be sure the DC Power Unit is on a level surface and stopped.

Also, perform a test run during the checks.

WARNING

Failure to properly maintain the DC Power Unit, or failing to correct a problem before operation, could result in a significant malfunction.

Some malfunctions can cause serious injuries or death.

Always perform a pre-operation inspection before each operation and correct any problems.

- Before attaching the Battery Pack, make sure that:
 - Exterior cover is not damaged.
 - Switches are not damaged.
 - Rubber support is not damaged.
 - Battery hook is not loose or damaged.
 - Battery fastener is not damaged.
 - Battery connector is not damaged.
 - Motor wire harness is not damaged. (For GXE2.0S only)
 - There are no debris or excessive dirt on the DC Power Unit or the Battery Pack.
- During the test run
 - Check that all switches work (start and stop) properly
 - Check that all indicators light when the DC Power Unit is turned on

OPERATION

CHARGING THE BATTERY PACK

Refer to the Battery Charger manual for instructions to charge the Battery Pack.

ATTACHING THE BATTERY PACK

Make sure to use a genuine Battery Pack.

See figure 4 on page V and figure 5 on page VI.

1. Make sure there are no debris or dirt on the battery tray.
2. Tilt the Battery Pack and insert its claw into the battery hook.
3. Push down the Battery Pack and hook the battery fastener to it.
4. Push the battery fastener lever up and lock the Battery Pack. Be careful not to catch your fingers.
5. Remove the battery connector cap from the power cable. Connect the power cable to the battery connector of the Battery Pack.

After attaching the Battery Pack, make sure the battery hook and fastener are securely attached.

STARTING THE DC POWER UNIT

See figure 3 on page IV.

1. Press STOP on the START/STOP switch.
2. Press the POWER button.
All the indicators should illuminate for a few seconds, and then only the POWER indicator remains illuminated.
3. Press the START/STOP switch to the START position to start the DC Power Unit.
4. Change the Power Unit speed as needed.
GXE2.0H: Operate the speed control lever (applicable types).
GXE2.0S: Push the SPEED CHANGE button.

- If the POWER button is pressed when the START/STOP switch is in the START position, the POWER indicator remains off and the ALERT indicator flashes. In this case, the DC Power Unit cannot start. Press the START/STOP switch to the STOP position and then press the POWER button.
- It may take some time for the indicators to light after the POWER button is pressed. If the indicators do not light, press the POWER button again.
- If the DC Power Unit is not operated for about one minute after the POWER button is pressed, the POWER indicator turns off. Press the POWER button again to start the DC Power Unit.
- If the control switch is installed on the equipment powered by the DC Power Unit, refer to the manual that came with the equipment for instructions on how to start the DC Power Unit.

CHECKING THE CHARGE LEVEL OF THE BATTERY PACK

While the DC Power Unit is operating, the charge level indicator lights or flashes so you can confirm the charge level of the Battery Pack.

While the DC Power Unit is stopped, press the charge level check button to confirm the charge level of the Battery Pack.

See figure 4 on page V.

Indicator Display	Charge Level	
	High ↓ Low	Fully charged.
		Sufficiently charged.
		Remaining battery power is low. Charge the Battery Pack.

■: On, ✖: Flashing, □: Off

STOPPING THE DC POWER UNIT

See figure 3 on page IV.

1. Press the START/STOP switch to the STOP position.
The DC Power Unit stops and the POWER indicator turns off.
- You can also stop the DC Power Unit by pressing the POWER button, but it may take some time to stop.
 - If the control switch is installed on the equipment powered by the DC Power Unit, refer to the manual that came with the equipment for instructions on how to stop the DC Power Unit.

REMOVING THE BATTERY PACK

1. Remove the power cable from the Battery Pack.
When removing the power cable, grab the battery connector and pull it out. Do not pull by the power cable.
2. Pull the battery fastener down to unlock, tilt the Battery Pack up and pull the Battery Pack claw out from the battery hook, and remove the Battery Pack.
3. Attach the battery connector cap to the power cable.

SERVICING YOUR DC POWER UNIT

THE IMPORTANCE OF MAINTENANCE

Proper maintenance is essential for safe, economical, reliable, and environmentally friendly operation.

⚠ WARNING

Failure to properly maintain the DC Power Unit, or failing to correct a problem before operation, could result in a significant malfunction.

Some malfunctions can cause serious injuries or death.

Always follow the inspection and maintenance recommendations and schedule in this manual.

MAINTENANCE SCHEDULE

GXE2.0H

ITEM	REGULAR SERVICE PERIOD (1)		Every 5 years or 500 hrs.
		Each use	
Exterior cover	Check	o	
Switch, speed control lever (applicable types)	Check	o	
LED (applicable type)	Check	o	
Power cable	Check	o	
Wires harness	Check		o(2)(4)
Battery fastener	Check	o	
	Replace		o(2)
Rubber support	Check	o	
	Replace		o(2)
Battery hook	Check	o	
	Replace		o(2)
Rubber mount	Replace		o(2)
Stopper bolt	Replace		o(2)
Stopper rubber	Replace		o(2)
Drain hole	Clean		o(2)
Set speed	Check	When required(3)	

(1) Perform at every indicated time or operating hours interval, whichever comes first.

(2) These items should be serviced by your servicing dealer, unless you have the proper tools and are mechanically proficient. Consult an authorized Honda dealer.

(3) If the DC Power Unit makes an unusual sound, have it inspected by your servicing dealer.

(4) Replace if necessary.

GXE2.0S

ITEM	REGULAR SERVICE PERIOD (1)		Every 5 years or 250 hrs.
		Each use	
Exterior	Check	o	
Switch (applicable type)	Check	o	
LED (applicable type)	Check	o	
Power cable	Check	o	
Motor wire harness	Check	o	
Wires harness	Check		o(2)(4)
Battery fastener	Check	o	
	Replace		o(2)
Rubber support	Check	o	
	Replace		o(2)
Battery hook	Check	o	
	Replace		o(2)
Drain hole	Clean		o(2)
Set speed	Rated speed	Check	When required(3)
	Medium speed	Check	
	Low speed	Check	

(1) Perform at every indicated time or operating hours interval, whichever comes first.

(2) These items should be serviced by your servicing dealer, unless you have the proper tools and are mechanically proficient. Consult an authorized Honda dealer.

(3) Set speed is set to 3600 min⁻¹(rpm) (rated speed), 3300 min⁻¹(rpm) (medium speed) or 3000 min⁻¹(rpm) (low speed). If the DC Power Unit makes an unusual sound, have it inspected by your servicing dealer.

(4) Replace if necessary.

TRANSPORTING

- Make sure the DC Power Unit has cooled down.
- Remove the Battery Pack.
- Keep the DC Power Unit level during transportation.

CLEANING

Do not use a hose or pressure washer to spray water on the Battery Pack while cleaning it. Water entering the components may cause a malfunction.

STORAGE

- Before storing the DC Power Unit, remove the Battery Pack to prevent unintended operation.
- Store the DC Power Unit on a level surface.
- Avoid storage areas with high temperature and high humidity, or environments with severe temperature changes. Keep away from direct sunlight and rain.

DISPOSAL

To protect the environment, do not dispose of this product using standard waste collection. Observe the local laws and regulations or consult your authorized Honda dealer for disposal.



Do not dispose of electric equipment together with household waste material. If electrical appliances are disposed of in landfills or dumps, substances can leak and react and enter into the foodchain, damaging your health and well-being. For further information on the disposal of this product, please contact your dealer or your nearest domestic waste collection service.

TROUBLESHOOTING

Check the following points if there is a malfunction. If a problem is not resolved or the symptoms do not improve, consult an authorized Honda servicing dealer.

DC Power Unit does not operate

Possible Cause	Solution
Battery Pack is not attached correctly.	Refer to "ATTACHING THE BATTERY PACK" (P. 2) and check that the power cable and Battery Pack are attached correctly.
Battery power is low.	Charge the Battery Pack.
Battery Pack has malfunctioned.	Replace the Battery Pack.

ALERT indicator is flashing

Possible Cause	Solution
Protection function is engaged.	Consult an authorized Honda dealer.
When starting the DC Power Unit, the POWER button was pressed while the START/STOP switch was in the START position.	Press the START/STOP switch to the STOP position and then press the POWER button.
DC Power Unit becomes hot. (POWER indicator lights)	Stop using the DC Power Unit and wait for it to cool down.

ERROR indicator is lit

Possible Cause	Solution
Protection function is engaged.	Consult an authorized Honda dealer.

SPECIFICATIONS

GXE2.0H (Type: S3, model with speed control lever)

Model	GXE2.0H
Description code	GMABK
Length × Width × Height* ¹	294 × 418 × 296 mm
Mass* ¹	19.7 kg
Cooling system	Forced air
Continuous rated power (factory setting)	1.6 kW (2.1 HP, 2.2 PS) / 3,600 min ⁻¹ (rpm)
Torque	4.3 N·m (0.44 kgf·m) / 3,600 min ⁻¹ (rpm)
Current	27 A
Voltage	72 V
Net power	1.8 kW (2.4 HP, 2.4 PS) / 3,600 min ⁻¹ (rpm)
Torque	4.8 N·m (0.49 kgf·m) / 3,600 min ⁻¹ (rpm)
Voltage	72 V
Set speed	1,800 to 3,600 min ⁻¹ (rpm)
Operating temperature range	-15 to 40 °C (5 to 104 °F)

*1 Without Battery Pack

GXE2.0S (Type: V1)

Model	GXE2.0S
Description code	GMACK
Length × Width × Height* ¹	Controller: 351 × 299 × 127 mm Motor: 216 × 224 × 194 mm
Mass* ¹	Controller: 7.1 kg Motor: 8.7 kg
Cooling system	Forced air
Continuous rated power	1.6 kW (2.1 HP, 2.2 PS) / 3,600 min ⁻¹ (rpm)
Torque	4.3 N·m (0.44 kgf·m) / 3,600 min ⁻¹ (rpm)
Current	27 A
Voltage	72 V
Net power	1.8 kW (2.4 HP, 2.4 PS) / 3,600 min ⁻¹ (rpm)
Torque	4.8 N·m (0.49 kgf·m) / 3,600 min ⁻¹ (rpm)
Voltage	72 V
Set speed	Rated speed 3,600 min ⁻¹ (rpm) Medium speed 3,300 min ⁻¹ (rpm) Low speed 3,000 min ⁻¹ (rpm)
Operating temperature range	-15 to 40 °C (5 to 104 °F)

*1 Without Battery Pack

CONSUMER INFORMATION

Warranty and Distributor/Dealer Locator Information

United States, Puerto Rico, and U.S. Virgin Islands:

Visit our website: www.engines.honda.com

Canada:

Call (888) 9HONDA9

or visit our website: www.honda.ca

For European Area:

Visit our website: <http://www.honda-engines-eu.com>

Customer Service Information

Servicing dealership personnel are trained professionals. They should be able to answer any question you may have. If you encounter a problem that your dealer does not solve to your satisfaction, please discuss it with the dealership's management. The Service Manager, General Manager, or Owner can help.

Almost all problems are solved in this way.

United States, Puerto Rico, and U.S. Virgin Islands:

If you are dissatisfied with the decision made by the dealership's management, contact the Honda Regional Engine Distributor for your area. You can find their name, address, and phone number using the distributor/dealer locator on our website at www.engines.honda.com

If you are still dissatisfied after speaking with the Regional Engine Distributor, you may contact the Honda Office.

American Honda Motor Co., Inc.

Power Equipment Division

Customer Relations Dept.

4900 Marconi Drive

Alpharetta, GA 30005-8847

Or telephone: (770) 497-6400, M-F 9:00 am - 7:30 pm ET

All Other Areas:

If you are dissatisfied with the decision made by the dealership's management, contact the Honda Office.

Honda DC Power Unit International Warranty

The Honda DC Power Unit (including Battery Pack and Battery Charger) installed on this brand product is covered by a Honda DC Power Unit Warranty, on the following assumptions.

- The warranty conditions conform to those for the DC Power Unit established by Honda for each country.
- The warranty conditions apply to DC Power Unit failures caused by any manufacturing or specification problem.
- The warranty does not apply to countries where there is no Honda distributor who deals DC Power Unit.

To obtain warranty service:

You must take your Honda DC Power Unit, or the equipment in which it is installed, together with proof of original retail purchase date to the dealer who you purchased your product from or a Honda dealer authorized to sell that product in your country. To locate a Honda distributor/dealer near you or check warranty condition in your country, visit our global service information website <https://www.hondapps.com/ENG/> or contact distributor in your country.



<https://www.hondapps.com/ENG/>

Exclusions:

This DC Power Unit warranty does not include the following:

1. Any damage or deterioration resulting from the following:
 - Neglect of the periodic maintenance as specified in the DC Power Unit owner's manual
 - Improper repair or maintenance
 - Operating methods other than those indicated in the DC Power Unit owner's manual
 - Damage caused by the product on which the DC Power Unit is installed
 - The use of non-genuine Honda parts and accessories, other than those approved by Honda
 - Exposure of the product to soot and smoke, chemical agents, bird droppings, sea water, sea breeze, salt or other environmental phenomena
 - Collision, neglect, unauthorized alteration, or misuse
 - Natural wear and tear (natural fading of painted or plated surfaces, sheet peeling and other natural deterioration)
2. Consumable parts: Honda does not warrant normal decrease of battery full-charge capacity due to usage and storage, and parts deterioration due to normal wear and tear.
3. Cleaning, adjustment, and normal periodic maintenance work.
4. Use of the Honda DC Power Unit for racing or competition.
5. Any DC Power Unit that is part of a product that has ever been declared a total loss or sold for salvage by a financial institution or insurer.

REFERENCE

FOR MACHINE MANUFACTURERS

In order to comply with "ISO 13849-1" required in the region, the following is described.

Only the information that must be included in the owner's manual is described here. Therefore, some of the information required to assemble the DC Power Unit into the equipment is included, and not all the information is provided.

For your information on DC Power Unit attachment

DC Power Unit safety functions include a function*1 to safely turn off torque to the motor when a stop signal is sent from the START/STOP switch and a function*2 to turn off torque to the motor when a contact malfunction is detected at the START/STOP switch.

The torque to the motor is turned off within 500 ms after the stop signal is input from the START/STOP switch or a malfunction is detected at the START/STOP switch.

*1 This function certainly stops the motor by a stop signal sent from the START/STOP switch

*2 This function prevents the motor from starting unintentionally

When you use the safety function, always conduct an equipment risk assessment and make sure that the safety function shown below meets PL required for the equipment.

Table X-1 Parameters of safety function

ISO13849-1	Safety Function	Honda DC POWER UNIT
START/STOP switch monitoring system	Cat.	3
• Prevent the motor from starting unintentionally • Prevent the motor from being unstoppable	DC avg	Over 98%
	PL	c
	MTTFd	Over 42 years

Explanation of terminology

Cat.

Classification of the safety-related parts of a control system in respect of their resistance to faults and their subsequent behaviour in the fault condition, and which is achieved by the structural arrangement of the parts, fault detection and/or by their reliability

DC avg

Measure of the effectiveness of diagnostics, which may be determined as the ratio between the failure rate of detected dangerous failures and the failure rate of total dangerous failures

PL

For the purposes of this part of ISO 13849, the ability of safety-related parts to perform a safety function is expressed through the determination of the performance level.

MTTFd

Expectation of the mean time to dangerous failure

MEMO

INTRODUCTION

Nous vous remercions d'avoir porté votre choix sur une unité d'alimentation CC Honda.

Ce manuel contient des informations sur son utilisation ; veuillez lire attentivement le manuel avant d'utiliser l'unité d'alimentation CC.

Le bloc-batterie et le chargeur de batterie sont fournis avec chaque manuel de l'utilisateur. Suivez-les lorsque vous utilisez le bloc-batterie ou le chargeur de batterie.

En cas de problème ou pour toute question concernant votre produit, veuillez vous adresser à votre concessionnaire réparateur.

Le produit représenté dans ce manuel de l'utilisateur peut ne pas correspondre à votre produit réel.

Ce manuel doit être considéré comme une partie intégrante de l'unité d'alimentation CC et doit l'accompagner en cas de revente.

Nous vous suggérons de lire la politique de garantie pour bien comprendre sa couverture et vos responsabilités de propriété.

Vous avez besoin d'un bloc-batterie d'origine et d'un chargeur de batterie d'origine pour utiliser l'unité d'alimentation CC.

- N'utilisez pas un bloc-batterie qui n'est pas d'origine. Utiliser un bloc-batterie qui n'est pas d'origine peut s'endommager tout comme il peut endommager l'unité d'alimentation CC en raison de fonctions de protection médiocres, etc.

SOMMAIRE

INTRODUCTION.....	1
MESSAGES DE SECURITE.....	1
SECURITE DE L'UNITE D'ALIMENTATION CC.....	1
CONSIGNES DE SECURITE IMPORTANTES.....	1
EMPLACEMENT DE L'ETIQUETTE DE SECURITE.....	2
EMPLACEMENT DES COMPOSANTS ET COMMANDES.....	2
CONTROLES PREALABLES A L'UTILISATION.....	2
FONCTIONNEMENT.....	2
CHARGEMENT DU BLOC-BATTERIE.....	2
BRANCHEMENT DU BLOC-BATTERIE.....	2
DEMARRAGE DE L'UNITE D'ALIMENTATION CC.....	3
VERIFICATION DU NIVEAU DE CHARGE DU BLOC-BATTERIE...	3
ARRET DE L'UNITE D'ALIMENTATION CC.....	3
RETRAIT DU BLOC-BATTERIE.....	3
ENTRETIEN DE VOTRE UNITE D'ALIMENTATION CC.....	4
L'IMPORTANCE DE L'ENTRETIEN.....	4
PROGRAMME D'ENTRETIEN.....	4
TRANSPORT.....	4
NETTOYAGE.....	4
STOCKAGE.....	4
MISE AU REBUT.....	5
DEPANNAGE.....	5
CARACTERISTIQUES.....	5
INFORMATIONS DU CONSOMMATEUR.....	6
REFERENCE.....	7
POUR LES FABRICANTS DE MACHINES.....	7

MESSAGES DE SECURITE

Votre sécurité et celle des autres sont très importantes. Des messages de sécurité importants sont présents dans ce manuel. Veuillez les lire attentivement.

Les messages de sécurité vous avertissent de risques potentiels de blessures pour vous et les autres. Chaque message de sécurité est précédé d'un symbole de mise en garde ⚠ et de l'une des trois mentions, DANGER, AVERTISSEMENT ou ATTENTION.

Ces mots-indicateurs signifient :

⚠ DANGER

Vous SEREZ MORTELLEMENT ou GRIEUREMENT BLESSE si vous ne suivez pas ces instructions.

⚠ AVERTISSEMENT

Vous POUVEZ être MORTELLEMENT ou GRIEUREMENT BLESSE si vous ne suivez pas ces instructions.

⚠ ATTENTION

Vous POUVEZ être BLESSE si vous ne suivez pas ces instructions.

D'autres messages importants sont précédés du mot REMARQUE. Cette mention signifie :

REMARQUE

Informations utiles pour éviter d'endommager votre unité d'alimentation CC, d'autres biens ou de nuire à l'environnement.

SECURITE DE L'UNITE D'ALIMENTATION CC

CONSIGNES DE SECURITE IMPORTANTES

Pour votre sécurité et celle des autres, suivez toujours les instructions ci-dessous.

- Avant de commencer les opérations, lisez et comprenez bien ces instructions ainsi que les instructions fournies avec l'équipement alimenté par cette unité d'alimentation CC.
- Familiarisez-vous avec le fonctionnement de toutes les commandes et apprenez à arrêter l'unité d'alimentation CC rapidement.
- Ne laissez personne utiliser l'unité d'alimentation CC sans avoir suivi les instructions appropriées. De même, ne laissez pas les enfants toucher l'unité d'alimentation CC. Le non-respect de cette consigne peut provoquer des blessures graves ou endommager l'unité d'alimentation CC.
- Ne retirez pas le couvercle, l'étiquette ni d'autres pièces. Ne démontez pas et ne modifiez pas non plus l'unité d'alimentation CC, ce qui peut entraîner un dysfonctionnement ou provoquer des blessures.
- N'utilisez pas l'unité d'alimentation CC si vous êtes sous l'influence de l'alcool ou de drogues. Un jugement affaibli peut provoquer des blessures graves.
- Toujours effectuer les contrôles et corriger tout problème avant chaque utilisation.
- Utilisez un bloc-batterie d'origine.
DP72104Z
- Pour éviter tout risque d'électrocution, d'incendie et de blessures graves, retirez toujours le bloc-batterie de l'unité d'alimentation CC lorsque vous la transportez ou que vous la vérifiez.
- Ne placez pas d'objets sur le dessus de l'unité d'alimentation CC, même si elle est éteinte. L'unité d'alimentation CC peut être déformée ou provoquer un dysfonctionnement ou des blessures.

- Maintenez le bloc-batterie bien sec et propre.
- Ne laissez ni l'un ni l'autre entrer en contact avec de l'eau.
- Ne coupez pas l'unité d'alimentation CC à un équipement avant de consulter du personnel qualifié. Un couplage incorrect peut provoquer des blessures ou des problèmes de fonctionnement.

EMPLACEMENT DE L'ETIQUETTE DE SECURITE

Voir la figure 1, page II.

Des étiquettes de sécurité sont apposées sur l'unité d'alimentation CC pour votre information.

Lisez attentivement ces étiquettes de sécurité et les consignes de sécurité de ce manuel.

Si les étiquettes apposées sur le produit deviennent illisibles, parce qu'elles sont déchirées ou perdues, remplacez-les par de nouvelles étiquettes.

Contactez votre concessionnaire Honda pour acheter des étiquettes de rechange.

EMPLACEMENT DES COMPOSANTS ET COMMANDES

Voir la figure 2, page III et la figure 3, page IV.

CONTROLES PREALABLES A L'UTILISATION

Vérifiez les points suivants avant d'utiliser l'unité d'alimentation CC. Avant de commencer vos vérifications avant utilisation, assurez-vous que l'unité d'alimentation CC est bien arrêtée et se trouve sur une surface plane.

Effectuez également un test de fonctionnement pendant les vérifications.

⚠ AVERTISSEMENT

Un entretien mal réalisé de l'unité d'alimentation CC ou un problème non résolu avant toute utilisation de cette dernière peut entraîner un dysfonctionnement important.

Certains dysfonctionnements peuvent entraîner de graves blessures voire la mort.

Toujours effectuer les contrôles et corriger tout problème avant chaque utilisation.

- Avant de fixer le bloc-batterie, assurez-vous que :
 - Le couvercle extérieur n'est pas endommagé.
 - Les interrupteurs ne sont pas endommagés.
 - Le support en caoutchouc n'est pas endommagé.
 - Le crochet de la batterie n'est pas desserré ou endommagé.
 - La fixation de la batterie n'est pas endommagée.
 - Le connecteur de batterie n'est pas endommagé.
 - Le faisceau de fils du moteur n'est pas endommagé. (Pour le GXE2.0S uniquement)
 - Il n'y a pas de débris ou de saleté excessive sur l'unité d'alimentation CC ou sur le bloc-batterie.
- Pendant le test de fonctionnement
 - Vérifiez que tous les interrupteurs fonctionnent correctement (démarrage et arrêt)
 - Vérifiez que tous les témoins s'allument lorsque l'unité d'alimentation CC est sous tension

FONCTIONNEMENT

CHARGEMENT DU BLOC-BATTERIE

Reportez-vous au manuel du chargeur de batterie pour savoir comment charger le bloc-batterie.

BRANCHEMENT DU BLOC-BATTERIE

Veillez à utiliser un bloc-batterie d'origine.

Voir la figure 4, page V et la figure 5, page VI.

1. Assurez-vous qu'il n'y a pas de débris ou de saleté sur le plateau de batterie.
2. Inclinez le bloc-batterie et insérez son ergot dans le crochet de la batterie.
3. Abaissez le bloc-batterie et accrochez-y la fixation de la batterie.
4. Poussez le levier de fixation de la batterie vers le haut et verrouillez le bloc-batterie.
Veillez à ne pas vous coincer les doigts.
5. Retirez le capuchon du connecteur de batterie du câble d'alimentation. Connectez le câble d'alimentation au connecteur de batterie du bloc-batterie.

Après avoir installé la batterie sur le bloc d'alimentation, assurez vous du bon verrouillage du fermoir de fixation de la batterie.

DEMARRAGE DE L'UNITE D'ALIMENTATION CC






Voir la figure 3, page IV.

1. Appuyez sur STOP (ARRÊT) sur l'interrupteur START/STOP (MARCHE/ARRÊT).
 2. Appuyez sur le bouton POWER (ALIMENTATION).
Tous les témoins doivent s'allumer pendant quelques secondes, puis seul le témoin POWER (MISE SOUS TENSION) reste allumé.
 3. Appuyez sur l'interrupteur START/STOP (MARCHE/ARRÊT) en position START (MARCHE) pour démarrer l'unité d'alimentation CC.
 4. Changez la vitesse de l'unité d'alimentation selon vos besoins.
GXE2.0H: Actionnez le levier de commande de vitesse (types applicables).
GXE2.0S: Appuyez sur le bouton SPEED CHANGE (CHANGEMENT DE VITESSE).
- Si le bouton POWER (ALIMENTATION) est enfoncé lorsque l'interrupteur START/STOP (MARCHE/ARRÊT) est en position START (MARCHE), le témoin POWER (MISE SOUS TENSION) reste éteint et le témoin ALERT (ATTENTION) clignote. Dans ce cas, l'unité d'alimentation CC ne peut pas démarrer. Appuyez sur l'interrupteur START/STOP (MARCHE/ARRÊT) en position STOP (ARRÊT) puis appuyez sur le bouton POWER (ALIMENTATION).
 - Cela peut demander un certain temps pour que les témoins s'allument après avoir appuyé sur le bouton POWER (ALIMENTATION)
 - Si l'unité d'alimentation CC n'est pas utilisée pendant environ une minute après avoir appuyé sur le bouton POWER (ALIMENTATION), le témoin POWER (MISE SOUS TENSION) s'éteint. Appuyez de nouveau sur le bouton POWER (ALIMENTATION) pour démarrer l'unité d'alimentation CC.
 - Si le commutateur de commande est installé sur l'équipement alimenté par l'unité d'alimentation CC, reportez-vous au manuel fourni avec l'équipement pour obtenir des instructions sur la façon de démarrer l'unité d'alimentation CC.

VERIFICATION DU NIVEAU DE CHARGE DU BLOC-BATTERIE

Lorsque l'unité d'alimentation CC est en fonctionnement, le témoin de niveau de charge s'allume ou clignote pour vous permettre de vérifier le niveau de charge du bloc-batterie. Lorsque l'unité d'alimentation CC est arrêtée, appuyez sur le bouton de vérification du niveau de charge pour vérifier le niveau de charge du bloc-batterie.

Voir la figure 4, page V.

Affichage du témoin	Niveau de charge	
	Élevée ↓ Faible	Complètement chargé.
		Suffisamment chargé.
		La charge restante de la batterie est faible. Chargez le bloc-batterie.
		
		

■: Marche, ⚡: Clignotant, □: Arrêt

ARRÊT DE L'UNITE D'ALIMENTATION CC

Voir la figure 3, page IV.

1. Appuyez sur l'interrupteur START/STOP (MARCHE/ARRÊT) en position STOP (ARRÊT).
L'unité d'alimentation CC s'arrête et le témoin POWER (MISE SOUS TENSION) s'éteint.
- Vous pouvez également arrêter l'unité d'alimentation CC en appuyant sur le bouton POWER (ALIMENTATION), mais cela peut prendre un certain temps pour qu'elle s'arrête.
 - Si le commutateur de commande est installé sur l'équipement alimenté par l'unité d'alimentation CC, reportez-vous au manuel fourni avec l'équipement pour obtenir des instructions sur la façon d'arrêter l'unité d'alimentation CC.

RETRAIT DU BLOC-BATTERIE

1. Retirez le câble d'alimentation du bloc-batterie.
Lorsque vous retirez le câble d'alimentation, saisissez le connecteur de batterie et retirez-le. Ne tirez pas sur le câble d'alimentation.
2. Tirez la fixation de la batterie vers le bas pour la déverrouiller, inclinez le bloc-batterie vers le haut, retirez l'ergot du bloc-batterie du crochet de la batterie puis retirez le bloc-batterie.
3. Fixez le capuchon du connecteur de batterie sur le câble d'alimentation.

ENTRETIEN DE VOTRE UNITÉ D'ALIMENTATION CC

L'IMPORTANCE DE L'ENTRETIEN

Un entretien correct est essentiel pour un fonctionnement sûr, économique, fiable et respectueux de l'environnement.

⚠ AVERTISSEMENT

Un entretien mal réalisé de l'unité d'alimentation CC ou un problème non résolu avant toute utilisation de cette dernière peut entraîner un dysfonctionnement important.

Certains dysfonctionnements peuvent entraîner de graves blessures voire la mort.

Toujours observer les recommandations et le programme de contrôle et d'entretien figurant dans ce manuel.

PROGRAMME D'ENTRETIEN

GXE2.0H

FREQUENCE D'ENTRETIEN PERIODIQUE (1)		Chaque utilisation	Tous les 5 ans ou 500 h
DESCRIPTION			
Couvercle extérieur	Vérifier	o	
Commutateur, levier de commande de vitesse (types applicables)	Vérifier	o	
DEL (type applicable)	Vérifier	o	
Câble d'alimentation	Vérifier	o	
Faisceau de fils	Vérifier		o(2)(4)
Fixation de la batterie	Vérifier	o	
	Remplacer		o(2)
Support en caoutchouc	Vérifier	o	
	Remplacer		o(2)
Crochet de la batterie	Vérifier	o	
	Remplacer		o(2)
Monture en caoutchouc	Remplacer		o(2)
Boulon de butée	Remplacer		o(2)
Caoutchouc de butée	Remplacer		o(2)
Orifice de vidange	Nettoyer		o(2)
Vitesse réglée	Vérifier	Si nécessaire(3)	

- (1) À effectuer à chaque moment ou intervalle d'heures de fonctionnement indiqué, selon la première éventualité.
 (2) Confier l'entretien de ces points au concessionnaire à moins que l'on ne dispose des outils appropriés et ne soit mécaniquement compétent. Consultez un concessionnaire Honda agréé.
 (3) Si l'unité d'alimentation CC émet un son inhabituel, faites-la inspecter par votre concessionnaire.
 (4) Remplacer si nécessaire.

GXE2.0S

FREQUENCE D'ENTRETIEN PERIODIQUE (1)		Chaque utilisation	Tous les 5 ans ou 250 h
DESCRIPTION			
Extérieur	Vérifier	o	
Interrupteur (type applicable)	Vérifier	o	
DEL (type applicable)	Vérifier	o	
Câble d'alimentation	Vérifier	o	
Faisceau de fils du moteur	Vérifier	o	
Faisceau de fils	Vérifier		o(2)(4)
Fixation de la batterie	Vérifier	o	
	Remplacer		o(2)
Support en caoutchouc	Vérifier	o	
	Remplacer		o(2)
Crochet de la batterie	Vérifier	o	
	Remplacer		o(2)
Orifice de vidange	Nettoyer		o(2)
Vitesse réglée	Vitesse nominale	Vérifier	Si nécessaire(3)
	Vitesse moyenne	Vérifier	
	Vitesse réduite	Vérifier	

- (1) À effectuer à chaque moment ou intervalle d'heures de fonctionnement indiqué, selon la première éventualité.
 (2) Confier l'entretien de ces points au concessionnaire à moins que l'on ne dispose des outils appropriés et ne soit mécaniquement compétent. Consultez un concessionnaire Honda agréé.
 (3) La vitesse réglée est de 3 600 min⁻¹(tr/min) (vitesse nominale), 3 300 min⁻¹(tr/min) (vitesse moyenne) ou 3 000 min⁻¹(tr/min) (vitesse réduite). Si l'unité d'alimentation CC émet un son inhabituel, faites-la inspecter par votre concessionnaire.
 (4) Remplacer si nécessaire.

TRANSPORT

- Assurez-vous que l'unité d'alimentation CC a refroidi.
- Retirez le bloc-batterie.
- Maintenez l'unité d'alimentation CC de niveau pendant le transport.

NETTOYAGE

N'utilisez pas de tuyau ou de nettoyeur haute pression pour pulvériser de l'eau sur le bloc-batterie pendant le nettoyage. La pénétration d'eau dans les composants peut provoquer un dysfonctionnement.

STOCKAGE

- Avant de stocker l'unité d'alimentation CC, retirez le bloc-batterie pour éviter toute utilisation involontaire.
- Stockez l'unité d'alimentation CC sur une surface plane.
- Évitez de le stocker dans des zones où la température et l'humidité sont élevées ou dans des environnements où de brusques changements de températures peuvent s'opérer. Maintenez-le à l'écart de la lumière directe du soleil et de la pluie.

MISE AU REBUT

Pour protéger l'environnement, ne jetez pas ce produit avec les déchets courants. Respectez les lois et réglementations locales ou consultez un concessionnaire Honda agréé pour la mise au rebut.



Ne jetez pas d'équipement électrique avec les déchets ménagers. Si les appareils électriques sont mis au rebut dans des remblais ou des décharges, des substances peuvent fuir et réagir et entrer dans la chaîne alimentaire, endommageant ainsi votre santé et votre bien-être. Pour plus d'informations sur la mise au rebut de ce produit, veuillez contacter votre concessionnaire ou le service de collecte des déchets ménagers le plus proche.

DEPANNAGE

Vérifiez les points suivants si vous constatez un dysfonctionnement.

Si un problème n'est pas résolu ou si les symptômes ne s'améliorent pas, consultez un concessionnaire Honda agréé.

L'unité d'alimentation CC ne fonctionne pas

Cause possible	Solution
Le bloc-batterie n'est pas correctement fixé.	Reportez-vous à "BRANCHEMENT DU BLOC-BATTERIE" (P. 2) et vérifiez que le câble d'alimentation et le bloc-batterie sont correctement connectés.
La puissance de la batterie est faible.	Chargez le bloc-batterie.
Le bloc-batterie n'a pas fonctionné correctement.	Remplacez le bloc-batterie.

Le témoin ALERT (ATTENTION) clignote

Cause possible	Solution
La fonction de protection est activée.	Consultez un concessionnaire Honda agréé.
Lors du démarrage de l'unité d'alimentation CC, le bouton POWER (ALIMENTATION) a été enfoncé alors que l'interrupteur START/STOP (MARCHE/ARRÊT) en position STOP (ARRÊT) puis appuyez sur le bouton POWER (ALIMENTATION).	Appuyez sur l'interrupteur START/STOP (MARCHE/ARRÊT) en position STOP (ARRÊT) puis appuyez sur le bouton POWER (ALIMENTATION).
L'unité d'alimentation CC devient chaude. (Le témoin POWER (MISE SOUS TENSION) s'allume)	Arrêtez d'utiliser l'unité d'alimentation CC et attendez qu'elle refroidisse.

Le témoin ERROR (ERREUR) est allumé

Cause possible	Solution
La fonction de protection est activée.	Consultez un concessionnaire Honda agréé.

CARACTERISTIQUES

GXE2.0H (Type: S3, modèle avec levier de commande de vitesse)

Modèle	GXE2.0H
Code descriptif	GMABK
Longueur × Largeur × Hauteur* ¹	294 × 481 × 296 mm
Masse* ¹	19,7 kg
Système de refroidissement	Air forcé
Puissance nominale continue (réglage en usine)	1,6 kW (2,1 HP, 2,2 PS) / 3 600 min ⁻¹ (tr/min)
Couple de serrage	4,3 N·m (0,44 kgf·m) / 3 600 min ⁻¹ (tr/min)
Courant	27 A
Tension	72 V
Puissance nette	1,8 kW (2,4 HP, 2,4 PS) / 3 600 min ⁻¹ (tr/min)
Couple de serrage	4,8 N·m (0,49 kgf·m) / 3 600 min ⁻¹ (tr/min)
Tension	72 V
Vitesse réglée	1 800 à 3 600 min ⁻¹ (tr/min)
Plage de température d'utilisation	-15 à 40 °C

*1 Sans le bloc-batterie

GXE2.0S (Type: V1)

Modèle	GXE2.0S
Code descriptif	GMACK
Longueur × Largeur × Hauteur* ¹	Contrôleur : 351 × 299 × 127 mm Moteur : 216 × 224 × 194 mm
Masse* ¹	Contrôleur : 7,1 kg Moteur : 8,7 kg
Système de refroidissement	Air forcé
Puissance nominale continue	1,6 kW (2,1 HP, 2,2 PS) / 3 600 min ⁻¹ (tr/min)
Couple de serrage	4,3 N·m (0,44 kgf·m) / 3 600 min ⁻¹ (tr/min)
Courant	27 A
Tension	72 V
Puissance nette	1,8 kW (2,4 HP, 2,4 PS) / 3 600 min ⁻¹ (tr/min)
Couple de serrage	4,8 N·m (0,49 kgf·m) / 3 600 min ⁻¹ (tr/min)
Tension	72 V
Vitesse réglée	Vitesse nominale 3 600 min ⁻¹ (tr/min) Vitesse moyenne 3 300 min ⁻¹ (tr/min) Vitesse réduite 3 000 min ⁻¹ (tr/min)
Plage de température d'utilisation	-15 à 40 °C

*1 Sans le bloc-batterie

INFORMATIONS DU CONSOMMATEUR

Garantie et informations de localisation de distributeur/ concessionnaire

États-Unis, Porto Rico et Îles vierges des États-Unis :

Rendez-vous sur notre site Web : www.engines.honda.com

Canada :

Appelez le (888) 9HONDA9

ou rendez-vous sur notre site Web : www.honda.ca

Pour la zone européenne :

Rendez-vous sur notre site Web : <http://www.honda-engines-eu.com>

Informations de service à la clientèle

Le personnel des concessionnaires compte des professionnels qualifiés. Il devrait pouvoir répondre à toutes vos questions. Si le technicien ne résout pas votre problème de manière satisfaisante, adressez-vous à la direction de la concession. Le responsable du service après-vente, le directeur général ou le propriétaire pourra vous aider. Presque tous les problèmes se résolvent de cette manière.

États-Unis, Porto Rico et Îles vierges des États-Unis :

Si vous n'êtes pas satisfait de la décision prise par la direction de la concession, adressez-vous à votre distributeur de moteurs Honda régional. Vous trouverez leur nom, adresse et numéro de téléphone à l'aide du localisateur de distributeur/revendeur sur notre site Internet www.engines.honda.com

Si vous n'êtes toujours pas satisfait après avoir parlé au distributeur de moteurs régional, contactez le bureau Honda.

American Honda Motor Co., Inc.

Power Equipment Division

Customer Relations Dept.

4900 Marconi Drive

Alpharetta, GA 30005-8847

Ou téléphonez au : (770) 497-6400, L-V 9:00 am - 7:30 pm ET

Toutes les autres régions :

Si vous n'êtes pas satisfait de la décision prise par la direction de la concession, adressez-vous au bureau Honda.

Garantie internationale des moteurs électriques CC Honda

Le moteur électrique CC Honda (y compris la batterie et le chargeur de batterie) installé sur ce matériel de marque est couvert par une garantie des moteurs CC Honda dans les conditions suivantes.

- Les conditions de garantie sont conformes à celles pour le moteur électrique CC établies par Honda pour chaque pays.
- Les conditions de garantie s'appliquent aux pannes de moteur électrique CC causées par un problème de fabrication ou de spécification.
- La garantie ne s'applique pas aux pays où il n'existe pas de distributeur Honda commercialisant le moteur électrique CC.

Pour bénéficier de la garantie :

Vous devez confier votre moteur électrique CC Honda, ou l'équipement sur lequel il est monté, accompagné de la preuve de la date d'achat du produit, au revendeur qui vous a vendu ce produit ou à un revendeur Honda autorisé à vendre ce produit dans votre pays. Pour localiser un revendeur/distributeur Honda près de chez vous ou pour vérifier les conditions de garantie dans votre pays, consultez notre site Web mondial d'informations relatives au service <https://www.hondapps.com/ENG/> ou contactez un distributeur dans votre pays.



<https://www.hondapps.com/ENG/>

Exclusions :

Cette garantie moteur électrique CC n'inclut pas :

1. Tout dommage ou toute détérioration résultant de ce qui suit :
 - Non-réalisation de l'entretien périodique tel que spécifié dans le manuel d'utilisation du moteur électrique CC
 - Réparation ou entretien incorrect(e)
 - Méthodes d'utilisation différentes de celles indiquées dans le manuel d'utilisation du moteur électrique CC
 - Dommage entraîné par le produit sur lequel le moteur électrique CC est monté
 - Utilisation de pièces et d'accessoires non d'origine Honda, autres que ceux approuvés par Honda
 - Exposition du produit à la suie et aux fumées, aux agents chimiques, aux déjections d'oiseaux, à l'eau de mer, à la brise marine, au sel ou à tout autre phénomène environnemental
 - Collision, négligence, modification non autorisée ou utilisation incorrecte
 - Usure naturelle (décoloration naturelle des surfaces peintes ou plaquées, détachement de tôle et autre détérioration naturelle)
2. Les consommables : Honda ne garantit pas la diminution normale de la capacité de charge de la batterie due à l'utilisation et au stockage, ni la détérioration des pièces due à une usure normale.
3. Les opérations de nettoyage, réglage et entretien périodique normal.
4. L'utilisation du moteur électrique CC Honda pour les courses ou les compétitions.
5. Tout moteur électrique CC faisant partie d'un produit qui a déjà été déclaré perte totale ou vendu pour être récupéré par une institution financière ou un assureur.

REFERENCE

POUR LES FABRICANTS DE MACHINES

Afin de se conformer à la norme « ISO 13849-1 » requise dans la région, ce qui suit est décrit.

Seules les informations devant figurer dans le manuel du propriétaire sont décrites ici. Par conséquent, certaines des informations nécessaires pour assembler l'unité d'alimentation CC dans l'équipement sont incluses, et toutes les informations ne sont pas fournies.

Pour plus d'informations sur la fixation de l'unité d'alimentation CC

Les fonctions de sécurité de l'unité d'alimentation CC incluent une fonction*1 pour couper le couple du moteur en toute sécurité lorsqu'un signal d'arrêt est envoyé depuis l'interrupteur START/STOP (MARCHE/ARRÊT) et une fonction*2 pour désactiver le couple du moteur lorsqu'un dysfonctionnement du contact est détecté au niveau de l'interrupteur START/STOP (MARCHE/ARRÊT). Le couple du moteur est coupé dans les 500 ms après l'envoi du signal d'arrêt depuis l'interrupteur START/STOP (MARCHE/ARRÊT) ou une défaillance est détectée au niveau de l'interrupteur START/STOP (MARCHE/ARRÊT).

*1 Cette fonction arrête automatiquement le moteur par un signal d'arrêt envoyé depuis l'interrupteur START/STOP (MARCHE/ARRÊT)

*2 Cette fonction empêche le moteur de démarrer involontairement

Lorsque vous utilisez la fonction de sécurité, effectuez toujours une évaluation des risques de l'équipement et assurez-vous que la fonction de sécurité illustrée ci-dessous est conforme au PL requis pour l'équipement.

Tableau X-1 Paramètres de la fonction de sécurité

ISO13849-1	Fonction de sécurité	UNITE D'ALIMENTATION CC Honda
Système de contrôle de l'interrupteur START/STOP (MARCHE/ARRÊT) • Empêcher le moteur de démarrer involontairement • Empêcher le moteur d'être instable	Cat.	3
	DC avg	Plus de 98%
	PL	c
	MTTFd	Plus de 42 ans

Explication de la terminologie

Cat.

Classification des pièces relatives à la sécurité d'un système de commande en ce qui concerne leur résistance aux défauts et leur comportement ultérieur en condition de défaut, et qui est obtenue par l'agencement structurel des pièces, la détection des défauts et/ou par leur fiabilité

DC avg

Mesure de l'efficacité des diagnostics pouvant être déterminée comme le rapport entre le taux de défaillance des défaillances dangereuses détectées et le taux de défaillance du total des défaillances dangereuses

PL

Pour les besoins de la présente partie de la norme ISO 13849, la capacité des pièces liées à la sécurité à exécuter une fonction de sécurité est exprimée par la détermination du niveau de performance.

MTTFd

Attente du temps moyen avant une défaillance dangereuse

MEMO



EINFÜHRUNG

Vielen Dank, dass Sie sich für einen DC-Antriebsmotor von Honda entschieden haben.

Dieses Handbuch enthält Informationen zur Verwendung; lesen Sie bitte dieses Handbuch sorgfältig durch, bevor Sie den DC-Antriebsmotor verwenden.

Der Akkupack und das Akkuladegerät werden mit jeder Bedienungsanleitung geliefert. Folgen Sie dieser Anleitung, wenn Sie den Akkupack oder das Akkuladegerät bedienen.

Wenden Sie sich mit Problemen oder Fragen jederzeit an Ihren Wartungshändler.

Das in dieser Bedienungsanleitung abgebildete Produkt stimmt möglicherweise nicht mit Ihrem tatsächlichen Produkt überein.

Dieses Handbuch ist als permanenter Bestandteil des DC-Antriebsmotor zu betrachten und sollte bei einem Wiederverkauf beim DC-Antriebsmotor verbleiben.

Wir empfehlen Ihnen, die Garantiebestimmungen zu lesen, um sich über den Umfang der Garantie und Ihre Verantwortung als Eigentümer zu informieren.

Sie benötigen einen originalen Akkupack und ein originales Akkuladegerät, um den DC-Antriebsmotor zu verwenden.


- Verwenden Sie nur einen originalen Akkupack.
Das Verwenden eines nicht originalen Akkupacks könnte ihn und den DC-Antriebsmotor aufgrund mangelhafter Schutzfunktionen usw. beschädigen.

INHALT

EINFÜHRUNG	1
SICHERHEITSANGABEN	1
SICHERHEIT DES DC-ANTRIEBSMOTORS	1
WICHTIGE SICHERHEITSHINWEISE	1
POSITION VON SICHERHEITSPAKETTEN.....	2
LAGE DER KOMPONENTEN UND BEDIENUNGSELEMENTE.....	2
ÜBERPRÜFUNGEN VOR DER INBETRIEBNAHME	2
BETRIEB	2
LADEN DES AKKUPACKS	2
ANBRINGEN DES AKKUPACKS.....	2
STARTEN DES DC-ANTRIEBSMOTORS.....	3
ÜBERPRÜFEN DES LADEZUSTANDS DES AKKUPACKS.....	3
STOPPEN DES DC-ANTRIEBSMOTORS	3
ENTFERNEN DES AKKUPACKS	3
WARTUNG IHRES DC-ANTRIEBSMOTORS.....	4
DIE WICHTIGKEIT RICHTIGER WARTUNG.....	4
WARTUNGSPLAN.....	4
TRANSPORT	4
REINIGUNG.....	4
AUFBEWAHRUNG	4
ENTSORGUNG.....	5
FEHLERBEHEBUNG.....	5
TECHNISCHE DATEN	5
VERBRAUCHERINFORMATION.....	6
REFERENZ	7
FÜR MASCHINENHERSTELLER	7

SICHERHEITSANGABEN

Achten Sie auf Ihre eigene Sicherheit und die anderer Personen. In diesem Handbuch finden Sie wichtige Sicherheitshinweise. Bitte lesen Sie diese Angaben aufmerksam.

Eine Sicherheitsangabe weist auf potenzielle Verletzungsgefahren für Sie und andere Personen hin. Jede Sicherheitsangabe ist durch einen Sicherheitshinweis  und eines der drei Signalwörter, GEFÄHR, WARNUNG oder VORSICHT gekennzeichnet.

Diese Schlüsselwörter haben die folgenden Bedeutungen:

GEFÄHR

Bei Nichtbefolgung der gegebenen Anweisungen besteht HÖCHSTE LEBENSGEFÄHR bzw. die GEFÄHR LEBENSGEFÄHRLICHER VERLETZUNGEN.

WARNUNG

Bei Nichtbefolgung der gegebenen Anweisungen besteht LEBENSGEFÄHR bzw. die GEFÄHR SCHWERER VERLETZUNGEN.

VORSICHT

Bei Nichtbefolgung der gegebenen Anweisungen besteht VERLETZUNGSGEFÄHR.

Außerdem enthält das Handbuch andere wichtige Textstellen, die durch das Wort ACHTUNG gekennzeichnet sind.

Dieses Wort hat die folgende Bedeutung:

ACHTUNG

Informationen, die Ihnen helfen, Schäden am DC-Antriebsmotor, anderen Gegenständen oder der Umwelt zu vermeiden.

SICHERHEIT DES DC-ANTRIEBSMOTORS

WICHTIGE SICHERHEITSHINWEISE

Befolgen Sie zu Ihrer Sicherheit und zur Sicherheit anderer stets die nachfolgenden Anweisungen.

- Bevor Sie mit dem Betrieb beginnen, lesen und verstehen Sie diese Anweisungen sowie die Anweisungen, die dem Gerät beiliegen, das mit dem DC-Antriebsmotor betrieben wird.
- Machen Sie sich mit der Bedienung aller Steuerelemente vertraut und lernen Sie, wie der DC-Antriebsmotor schnell gestoppt wird.
- Erlauben Sie niemandem, den DC-Antriebsmotor ohne entsprechende Anweisungen zu betreiben. Erlauben Sie Kindern nicht, den DC-Antriebsmotor zu berühren. Andernfalls kann es zu schweren Verletzungen oder Schäden am DC-Antriebsmotor kommen.
- Entfernen Sie nicht die Abdeckung, das Etikett oder andere Teile. Zerlegen oder modifizieren Sie den DC-Antriebsmotor nicht, da dies zu Fehlfunktionen oder Verletzungen führen kann.
- Betreiben Sie den DC-Antriebsmotor nicht, wenn Sie unter dem Einfluss von Alkohol oder Drogen stehen. Beeinträchtigt Urteilsvermögen kann zu schweren Verletzungen führen.
- Führen Sie stets eine Überprüfung vor jedem Betrieb durch, und beseitigen Sie etwaige Probleme.
- Verwenden Sie einen originalen Akkupack.
DP72104Z
- Um elektrischen Schlag, Feuer und schwere Verletzungen zu vermeiden, entfernen Sie den Akkupack immer vom DC-Antriebsmotor, wenn Sie ihn tragen oder überprüfen.

- Stellen Sie keine Gegenstände auf den DC-Antriebsmotor, auch wenn er ausgeschaltet ist. Der DC-Antriebsmotor kann sich verformen oder eine Fehlfunktion oder Verletzungen verursachen.
- Halten Sie den Akkupack sauber und trocken.
- Achten Sie darauf, dass sie nicht mit Wasser in Berührung kommen.
- Schließen Sie den DC-Antriebsmotor nicht an ein Gerät an, bevor Sie sich an qualifiziertes Personal gewendet haben. Ein unsachgemäßer Anschluss kann zu Verletzungen oder Bedienungsproblemen führen.

POSITION VON SICHERHEITSPLAKETTEN

Siehe Abbildung 1, Seite II.

Sicherheitskennzeichnungen sind zu Ihrer Information am DC-Antriebsmotor angebracht.

Lesen Sie diese Sicherheitsaufkleber und die Sicherheitshinweise in diesem Handbuch sorgfältig durch.

Wenn die am Produkt angebrachten Schilder unlesbar werden, z. B. wenn sie zerrissen oder verloren gegangen sind, ersetzen Sie sie durch neue.

Wenden Sie sich an Ihren Honda-Händler, um einen Ersatz zu erwerben.

LAGE DER KOMPONENTEN UND BEDIENUNGSELEMENTE

Siehe Abbildung 2 auf Seite III und Abbildung 3 auf Seite IV.

ÜBERPRÜFUNGEN VOR DER INBETRIEBNAHME

Überprüfen Sie die folgenden Punkte, bevor Sie den DC-Antriebsmotor in Betrieb nehmen. Bevor Sie mit den Kontrollen vor dem Betrieb beginnen, vergewissern Sie sich, dass der DC-Antriebsmotor auf einem waagerechten Untergrund steht und ruht.

Führen Sie außerdem einen Testlauf während der Prüfungen durch.

- Der DC-Antriebsmotor oder der Akkupack frei von Ablagerungen oder übermäßigem Schmutz sind.
- Während des Testlaufs
 - Überprüfen Sie, ob alle Schalter ordnungsgemäß funktionieren (Start und Stopp)
 - Überprüfen Sie, ob alle Anzeigen leuchten, wenn der DC-Antriebsmotor eingeschaltet ist

BETRIEB

LADEN DES AKKUPACKS

Anweisungen zum Aufladen des Akkupacks finden Sie im Handbuch des Akkuladegeräts.

ANBRINGEN DES AKKUPACKS

Stellen Sie sicher, dass Sie einen originalen Akkupack verwenden.

Siehe Abbildung 4 auf Seite V und Abbildung 5 auf Seite VI.

1. Stellen Sie sicher, dass sich keine Ablagerungen oder Schmutz auf dem Akkuhalter befinden.
2. Kippen Sie den Akkupack und setzen Sie seine Klaue in den Akkuhaken ein.
3. Drücken Sie den Akkupack nach unten und haken Sie die Akkubefestigung ein.
4. Drücken Sie den Akku-Befestigungshebel nach oben und verriegeln Sie den Akkupack. Achten Sie darauf, dass Sie sich nicht die Finger einklemmen.
5. Entfernen Sie die Schutzkappe des Akkusteckers vom Netzkabel. Schließen Sie das Netzkabel an den Akkustecker des Akkupacks an.

Vergewissern Sie sich nach dem Anbringen des Akkupacks, dass der Akkuhaken und das Befestigungselement sicher befestigt sind.

⚠️ WARNUNG

Die unsachgemäße Wartung dieses DC-Antriebsmotors oder die Nichtbehebung eines Problems vor der Inbetriebnahme könnte eine ernste Funktionsstörung verursachen.

Einige Funktionsstörungen können schwere Verletzungen oder Tod verursachen.

Führen Sie stets eine Überprüfung vor jedem Betrieb durch, und beseitigen Sie etwaige Probleme.

- Stellen Sie vor dem Einsetzen des Akkupacks sicher, dass:
 - Die Außenabdeckung nicht beschädigt ist.
 - Die Schalter nicht beschädigt sind.
 - Die Gummistütze nicht beschädigt ist.
 - Der Akkuhaken nicht lose oder beschädigt ist.
 - Die Akkubefestigung nicht beschädigt ist.
 - Der Akkustecker nicht beschädigt ist.
 - Der Motorkabelbaum nicht beschädigt ist. (Nur für GXE2.0S)

STARTEN DES DC-ANTRIEBSMOTORS

Siehe Abbildung 3 auf Seite IV.

1. Drücken Sie STOP (STOPP) auf dem START/STOP (START/STOPP)-Schalter.
2. Drücken Sie die POWER (EIN)-Schalter.
Alle Anzeigen sollten einige Sekunden lang aufleuchten und dann bleibt nur die POWER (EIN)-Anzeige erleuchtet.
3. Drücken Sie den START/STOP (START/STOPP)-Schalter in die START-Position, um den DC-Antriebsmotor zu starten.
4. Ändern Sie je nach Bedarf die Geschwindigkeit des Antriebsmotors.
GXE2.0H: Betätigen Sie den Geschwindigkeitssteuerhebel (anwendbare Typen).
GXE2.0S: Drücken Sie die SPEED CHANGE (GESCHWINDIGKEITSÄNDERUNGS)-Taste.






- Wenn der POWER (EIN)-Schalter gedrückt wird, während sich der START/STOP (START/STOPP)-Schalter in der START-Position befindet, bleibt die POWER (EIN)-Anzeige aus und die ALERT (WARN)-Anzeige blinkt. In diesem Fall kann der DC-Antriebsmotor nicht gestartet werden. Drücken Sie den START/STOP (START/STOPP)-Schalter in die STOP (STOPP)-Position und drücken Sie dann den POWER (EIN)-Schalter.
- Es kann einige Zeit dauern, bis die Anzeigen aufleuchten, nachdem der POWER (EIN)-Schalter gedrückt wurde. Wenn die Anzeigen nicht leuchten, drücken Sie den POWER (EIN)-Schalter erneut.
- Wenn der DC-Antriebsmotor etwa eine Minute lang nicht bedient wird, nachdem der POWER (EIN)-Schalter gedrückt wurde, erlischt die POWER (EIN)-Anzeige. Drücken Sie den POWER (EIN)-Schalter erneut, um den DC-Antriebsmotor zu starten.
- Wenn ein Steuerschalter an dem Gerät installiert ist, das über den DC-Antriebsmotor betrieben wird, beachten Sie das Handbuch dieses Geräts, um zu erfahren, wie Sie den DC-Antriebsmotor starten.

ÜBERPRÜFEN DES LADEZUSTANDS DES AKKUPACKS

Während der DC-Antriebsmotor betrieben wird, leuchtet oder blinkt die Ladezustandsanzeige, sodass Sie den Ladestand des Akkupacks überprüfen können.

Drücken Sie bei angehaltenem DC-Antriebsmotor die Prüftaste für den Ladestand, um den Ladestand des Akkupacks zu überprüfen.

Siehe Abbildung 4 auf Seite V.

Anzeigedisplay		Ladezustand
	Hoch ↓ Niedrig	Vollständig aufgeladen.
		Ausreichend geladen.
		Die verbleibende Akkuleistung ist niedrig. Laden des Akkupacks.
		
		

■: Ein, ⚡: Blinkt, □: Aus

STOPPEN DES DC-ANTRIEBSMOTORS

Siehe Abbildung 3 auf Seite IV.

1. Drücken Sie den START/STOP (START/STOPP)-Schalter in die STOP (STOPP)-Position.
Der DC-Antriebsmotor stoppt und die POWER (EIN)-Anzeige erlischt.
- Sie können den DC-Antriebsmotor auch durch Drücken des POWER (EIN)-Schalters stoppen, es kann jedoch einige Zeit dauern, bis er stoppt.
 - Wenn ein Steuerschalter an dem Gerät installiert ist, das über den DC-Antriebsmotor betrieben wird, beachten Sie das Handbuch dieses Geräts, um zu erfahren, wie Sie den DC-Antriebsmotor stoppen.

ENTFERNEN DES AKKUPACKS

1. Entfernen Sie das Netzkabel vom Akkupack.
Wenn Sie das Netzkabel entfernen, greifen Sie direkt den Akkustecker und ziehen Sie ihn heraus. Ziehen Sie nicht am Netzkabel.
2. Ziehen Sie zum Entriegeln die Akkubefestigung nach unten, kippen Sie den Akkupack nach oben und ziehen Sie die Klaue des Akkupacks aus dem Akkuhaken heraus und entfernen Sie den Akkupack.
3. Bringen Sie die Schutzkappe des Akkusteckers an das Netzkabel an.

WARTUNG IHRES DC-ANTRIEBSMOTORS

DIE WICHTIGKEIT RICHTIGER WARTUNG

Eine ordnungsgemäße Wartung ist für einen sicheren, wirtschaftlichen, zuverlässigen und umweltfreundlichen Betrieb unerlässlich.

⚠️ WARNUNG

Die unsachgemäße Wartung dieses DC-Antriebsmotors oder die Nichtbehebung eines Problems vor der Inbetriebnahme könnte eine ernste Funktionsstörung verursachen.

Einige Funktionsstörungen können schwere Verletzungen oder Tod verursachen.

Gehen Sie stets gemäß den Inspektions- und Wartungsempfehlungen/-plänen in dieser Bedienungsanleitung vor.

WARTUNGSPLAN

GXE2.0H

NORMALE WARTUNGSPERIODE (1)		Bei jedem Gebrauch	Alle 5 Jahre oder 500 Stunden
POSITION			
Außenabdeckung	Überprüfen	o	
Schalter, Geschwindigkeitssteuerhebel (anwendbare Typen)	Überprüfen	o	
LED (anwendbarer Typ)	Überprüfen	o	
Netzkabel	Überprüfen	o	
Kabelbaum	Überprüfen		o(2)(4)
Akkubefestigung	Überprüfen	o	
	Auswechseln		o(2)
Gummistütze	Überprüfen	o	
	Auswechseln		o(2)
Akkuhaken	Überprüfen	o	
	Auswechseln		o(2)
Gummihalterung	Auswechseln		o(2)
Anschlagbolzen	Auswechseln		o(2)
Anschlaggummi	Auswechseln		o(2)
Ablässöffnung	Reinigen		o(2)
Einstelldrehzahl	Überprüfen	Bei Bedarf(3)	

- (1) Durchführung in jedem angegebenen Zeit- oder Betriebsstundenintervall, je nachdem, was zuerst eintrifft.
- (2) Diese Wartungsarbeiten sollten von Ihrem Wartungshändler ausgeführt werden, es sei denn, Sie verfügen über die richtigen Werkzeuge und technischen Qualifikationen. Wenden Sie sich bitte an Ihren autorisierten Honda-Händler.
- (3) Wenn der DC-Antriebsmotor ungewöhnliche Geräusche macht, lassen Sie ihn von Ihrem Fachhändler überprüfen.
- (4) Bei Bedarf austauschen.

GXE2.0S

NORMALE WARTUNGSPERIODE (1)		Bei jedem Gebrauch	Alle 5 Jahre oder 250 Stunden	
POSITION				
Außen	Überprüfen	o		
Schalter (anwendbarer Typ)	Überprüfen	o		
LED (anwendbarer Typ)	Überprüfen	o		
Netzkabel	Überprüfen	o		
Motorkabelbaum	Überprüfen	o		
Kabelbaum	Überprüfen		o(2)(4)	
	Auswechseln		o(2)	
Gummistütze	Überprüfen	o		
	Auswechseln		o(2)	
Akkuhaken	Überprüfen	o		
	Auswechseln		o(2)	
Ablässöffnung	Reinigen		o(2)	
Einstelldrehzahl	Nennndrehzahl	Überprüfen	Bei Bedarf(3)	
	Mittlere Geschwindigkeit	Überprüfen		
	Niedrige Geschwindigkeit	Überprüfen		

- (1) Durchführung in jedem angegebenen Zeit- oder Betriebsstundenintervall, je nachdem, was zuerst eintrifft.
- (2) Diese Wartungsarbeiten sollten von Ihrem Wartungshändler ausgeführt werden, es sei denn, Sie verfügen über die richtigen Werkzeuge und technischen Qualifikationen. Wenden Sie sich bitte an Ihren autorisierten Honda-Händler.
- (3) Die Einstelldrehzahl ist auf $3.600 \text{ min}^{-1}(\text{U/min})$ (Nennndrehzahl), $3.300 \text{ min}^{-1}(\text{U/min})$ (mittlere Drehzahl) oder $3.000 \text{ min}^{-1}(\text{U/min})$ (niedrige Drehzahl) eingestellt. Wenn der DC-Antriebsmotor ungewöhnliche Geräusche macht, lassen Sie ihn von Ihrem Fachhändler überprüfen.
- (4) Bei Bedarf austauschen.

TRANSPORT

- Vergewissern Sie sich, dass der DC-Antriebsmotor abgekühlt ist.
- Entfernen des Akkupacks.
- Halten Sie den DC-Antriebsmotor während des Transports waagrecht.

REINIGUNG

Verwenden Sie keinen Schlauch oder Hochdruckreiniger, um Wasser auf den Akkupack zu sprühen, während Sie ihn reinigen. Das Eindringen von Wasser in die Komponenten kann zu einer Fehlfunktion führen.

AUFBEWAHRUNG

- Bevor Sie den DC-Antriebsmotor lagern, entfernen Sie den Akkupack, um einen unbeabsichtigten Betrieb zu verhindern.
- Lagern Sie den DC-Antriebsmotor auf einer ebenen Fläche.
- Vermeiden Sie Lagerorte mit hohen Temperaturen und hoher Luftfeuchtigkeit oder Umgebungen mit starken Temperaturschwankungen. Vor direkter Sonneneinstrahlung und Regen schützen.

ENTSORGUNG

Um die Umwelt zu schützen, entsorgen Sie dieses Produkt nicht mit dem Hausmüll. Beachten Sie die örtlichen Gesetze und Vorschriften oder wenden Sie sich zur Entsorgung an Ihren autorisierten Honda-Händler.



Entsorgen Sie Elektrogeräte nicht zusammen mit dem Hausmüll. Wenn elektrische Geräte in Mülltonnen oder auf Müllkippen entsorgt werden, können Substanzen austreten und reagieren und in die Nahrungskette gelangen, was Ihre Gesundheit und Ihr Wohlbefinden schädigt. Für weitere Informationen zur Entsorgung dieses Produkts wenden Sie sich bitte an Ihren Händler oder an den nächsten Entsorgungsdienst.

FEHLERBEHEBUNG

Bei einer Fehlfunktion kontrollieren Sie die folgenden Punkte. Wenn ein Problem nicht behoben wird oder sich die Symptome nicht verbessern, wenden Sie sich an einen autorisierten Honda-Fachhändler.

DC-Antriebsmotor funktioniert nicht

Mögliche Ursache	Lösung
Akkupack ist nicht richtig eingesetzt.	Siehe "ANBRINGEN DES AKKUPACKS" (P. 2) und prüfen Sie, ob das Netzkabel und der Akkupack richtig angeschlossen sind.
Der Akkuladestand ist niedrig.	Laden des Akkupacks.
Es liegt eine Fehlfunktion des Akkupacks vor.	Ersetzen des Akkupacks.

ALERT (WARN)-Anzeige blinkt

Mögliche Ursache	Lösung
Schutzfunktion ist aktiviert.	Wenden Sie sich bitte an Ihren autorisierten Honda-Händler.
Beim Starten des DC-Antriebsmotors wurde der POWER (EIN)-Schalter gedrückt, während sich der START/STOP (START/STOPP)-Schalter in der START-Position befand.	Drücken Sie den START/STOP (START/STOPP)-Schalter in die STOP (STOPP)-Position und drücken Sie dann den POWER (EIN)-Schalter.
Der DC-Antriebsmotor wird heiß. (POWER (EIN)-Anzeige leuchtet)	Beenden Sie die Verwendung des DC-Antriebsmotors und warten Sie, bis er sich abgekühlt hat.

ERROR (FEHLER)-Anzeige leuchtet

Mögliche Ursache	Lösung
Schutzfunktion ist aktiviert.	Wenden Sie sich bitte an Ihren autorisierten Honda-Händler.

TECHNISCHE DATEN

GXE2.0H (Typ: S3, Modell mit Geschwindigkeitssteuerhebel)

Modell	GXE2.0H
Gruppencode	GMABK
Länge × Breite × Höhe* ¹	294 × 418 × 296 mm
Masse* ¹	19,7 kg
Kühlsystem	Gebläsekühlung
Dauernennleistung (Werkseinstellung)	1,6 kW (2,1 HP, 2,2 PS) / 3.600 min ⁻¹ (U/min)
Drehmoment	4,3 N·m (0,44 kgf·m) / 3.600 min ⁻¹ (U/min)
Aktuell	27 A
Spannung	72 V
Nettoleistung	1,8 kW (2,4 HP, 2,4 PS) / 3.600 min ⁻¹ (U/min)
Drehmoment	4,8 N·m (0,49 kgf·m) / 3.600 min ⁻¹ (U/min)
Spannung	72 V
Einstelldrehzahl	1.800 bis 3.600 min ⁻¹ (U/min)
Betriebstemperaturbereich	-15 bis 40 °C

*1 Ohne Akkupack

GXE2.0S (Typ: V1)

Modell	GXE2.0S						
Gruppencode	GMACK						
Länge × Breite × Höhe* ¹	Controller: 351 × 299 × 127 mm Motor: 216 × 224 × 194 mm						
Masse* ¹	Controller: 7,1 kg Motor: 8,7 kg						
Kühlsystem	Gebläsekühlung						
Dauernennleistung	1,6 kW (2,1 HP, 2,2 PS) / 3.600 min ⁻¹ (U/min)						
Drehmoment	4,3 N·m (0,44 kgf·m) / 3.600 min ⁻¹ (U/min)						
Aktuell	27 A						
Spannung	72 V						
Nettoleistung	1,8 kW (2,4 HP, 2,4 PS) / 3.600 min ⁻¹ (U/min)						
Drehmoment	4,8 N·m (0,49 kgf·m) / 3.600 min ⁻¹ (U/min)						
Spannung	72 V						
Einstelldrehzahl	<table border="0"> <tr> <td>Neendrehzahl</td> <td>3.600 min⁻¹(U/min)</td> </tr> <tr> <td>Mittlere Geschwindigkeit</td> <td>3.300 min⁻¹(U/min)</td> </tr> <tr> <td>Niedrige Geschwindigkeit</td> <td>3.000 min⁻¹(U/min)</td> </tr> </table>	Neendrehzahl	3.600 min ⁻¹ (U/min)	Mittlere Geschwindigkeit	3.300 min ⁻¹ (U/min)	Niedrige Geschwindigkeit	3.000 min ⁻¹ (U/min)
Neendrehzahl	3.600 min ⁻¹ (U/min)						
Mittlere Geschwindigkeit	3.300 min ⁻¹ (U/min)						
Niedrige Geschwindigkeit	3.000 min ⁻¹ (U/min)						
Betriebstemperaturbereich	-15 bis 40 °C						

*1 Ohne Akkupack

VERBRAUCHERINFORMATION

Garantie und Händlerinformationen/Suchfunktion für Händler

Vereinigte Staaten, Puerto Rico und Amerikanische Jungferninseln:

Besuchen Sie unsere Website: www.engines.honda.com

Kanada:

Wählen Sie (888) 9HONDA9
oder besuchen Sie unsere Website: www.honda.ca

Europa:

Besuchen Sie unsere Website: <http://www.honda-engines-eu.com>

Kundendienstinformation

Das Wartungshändlerpersonal besteht aus geschulten Fachkräften. Sie können kompetente Antworten auf alle Ihre Fragen erwarten. Falls Sie ein Problem haben, das bei Ihrem Händler nicht zufriedenstellend gelöst wird, wenden Sie sich bitte an das Management des Betriebs. Der Wartungsmanager, Geschäftsführer oder Besitzer kann helfen. Fast alle Probleme können so gelöst werden.

Vereinigte Staaten, Puerto Rico und Amerikanische Jungferninseln:

Falls Sie mit der vom Management des Händlerbetriebs getroffenen Entscheidung nicht zufrieden sind, wenden Sie sich an Ihren Honda-Motorenhändler vor Ort. Den Namen, die Adresse und Telefonnummer finden Sie mit der Händlerinformationen-Suchfunktion auf unserer Website unter www.engines.honda.com

Falls Sie nach dem Gespräch mit dem Motorenhändler vor Ort noch immer nicht zufrieden sind, können Sie sich an die Honda-Geschäftsstelle wenden.

American Honda Motor Co., Inc.

Power Equipment Division
Customer Relations Dept.
4900 Marconi Drive
Alpharetta, GA 30005-8847
Oder telefonisch: (770) 497-6400, Mo–Fr 09:00 - 19:30 Uhr (US ET)

Alle anderen Regionen:

Falls Sie mit der vom Management des Händlerbetriebs getroffenen Entscheidung nicht zufrieden sind, wenden Sie sich an die Honda-Geschäftsstelle.

Internationale Garantie für Honda-Gleichstromantriebseinheit

Die in diesem Markenprodukt installierte Honda-Gleichstromantriebseinheit (einschließlich Akkupack und Ladegerät) ist unter den nachfolgend aufgeführten Voraussetzungen von der allgemeinen Garantie für Honda-Gleichstromantriebseinheiten abgedeckt.

- Die für Gleichstromantriebseinheiten geltenden Garantiebestimmungen wurden von Honda für jedes Land festgelegt.
- Die Garantie gilt für Defekte der Gleichstromantriebseinheit, die durch einen Fabrikationsfehler oder inkorrekte Spezifikation verursacht wurden.
- Die Garantie gilt nicht in Ländern, in denen kein Honda-Großhändler für Gleichstromantriebseinheiten vorhanden ist.

Vorgehensweise im Garantiefall:

Bringen Sie Ihre Honda-Gleichstromantriebseinheit bzw. das Erstausrüster-Produkt, in dem diese installiert ist, zusammen mit dem ursprünglichen Einzelhandel-Kaufnachweis mit Datumsangabe zu einem für den Vertrieb dieses Produkts in Ihrem Land autorisierten Honda-Händler bzw. zu dem Händler, bei dem Sie Ihr Produkt erworben haben. Um einen Honda-Großhändler/-Händler in Ihrer Nähe ausfindig zu machen oder die Garantiebedingungen für Ihr Land zu überprüfen, besuchen Sie unsere globale Service-Informations-Website <https://www.hondapps.com/ENG/> oder kontaktieren Sie einen Großhändler in Ihrem Land.



<https://www.hondapps.com/ENG/>

Ausschlüsse:

Diese Garantie für Gleichstromantriebseinheiten schließt Folgendes aus:

1. Schäden oder Beeinträchtigungen, die durch Folgendes verursacht wurden:
 - Vernachlässigung der regelmäßigen Wartung entsprechend den Angaben in der Bedienungsanleitung der Gleichstromantriebseinheit
 - Unsachgemäße Reparatur oder Wartung
 - Bedienungsweisen, die nicht den Angaben in der Bedienungsanleitung der Gleichstromantriebseinheit entsprechen
 - Schäden, die durch das Produkt, in dem die Gleichstromantriebseinheit installiert ist, verursacht wurden
 - Einsatz von Nicht-Original-Honda-Bauteilen und -Zubehör, die nicht von Honda freigegeben wurden
 - Einwirkung von Ruß und Rauch, Chemikalien, Vogelkot, Meerwasser, Meeresluft, Salz oder anderer Umwelteinflüsse
 - Kollision, Vernachlässigung, unzulässiger Umbau oder Missbrauch
 - Natürlicher Verschleiß (natürliches Verblässen lackierter oder verchromter Oberflächen, Abblättern und andere natürliche Abnutzungen)
2. Verschleißteile: Honda übernimmt keine Gewähr für normale Abnahme der vollen Ladekapazität des Akkus aufgrund von Nutzung und Lagerung sowie für den normalen Verschleiß von Bauteilen.
3. Reinigung, Einstellung und regelmäßige Wartungsarbeiten.
4. Einsatz der Honda-Gleichstromantriebseinheit in Rennen oder Wettbewerben.
5. Gleichstromantriebseinheit, die in einem Produkt installiert ist, das schon einmal zum Totalverlust erklärt oder von einem Kreditinstitut bzw. Versicherer als Altmaterial verkauft worden ist.

REFERENZ

FÜR MASCHINENHERSTELLER

Um die in der Region erforderliche „ISO 13849-1“ zu erfüllen, wird Folgendes beschrieben.

Hier werden nur die Informationen beschrieben, die in der Betriebsanleitung enthalten sein müssen. Daher sind einige Informationen enthalten, die für den Zusammenbau des DC-Antriebsmotors in die Anlage erforderlich sind, und es werden nicht alle Informationen zur Verfügung gestellt.

Weitere Informationen zum Einsetzen des DC-Antriebsmotors

Die Sicherheitsfunktionen des DC-Antriebsmotors umfassen eine Funktion*¹, um das Drehmoment zum Motor sicher auszuschalten, wenn ein Stoppsignal vom START/STOP (START/STOPP)-Schalter gesendet wird, sowie eine Funktion*², um das Drehmoment zum Motor auszuschalten, wenn eine Kontaktstörung am START/STOP (START/STOPP)-Schalter erkannt wird. Das Drehmoment zum Motor wird innerhalb von 500 ms ausgeschaltet, nachdem das Stoppsignal vom START/STOP (START/STOPP)-Schalter eingegeben wurde oder eine Störung am START/STOP (START/STOPP)-Schalter erkannt wurde.

*1 Diese Funktion stoppt den Motor durch ein Stoppsignal, das vom START/STOP (START/STOPP)-Schalter gesendet wird

*2 Diese Funktion verhindert, dass der Motor unbeabsichtigt startet

Wenn Sie die Sicherheitsfunktion verwenden, führen Sie immer eine Risikobeurteilung durch und stellen Sie sicher, dass die unten gezeigte Sicherheitsfunktion das Leistungsniveau erfüllt, das für die Anlage erforderlich ist.

Tabelle X-1 Parameter der Sicherheitsfunktion

ISO13849-1	Sicherheitsfunktion	Honda DC-ANTRIEBSMOTOR
START/STOP (START/STOPP)-Schalterüberwachungssystem • Verhindert, dass der Motor unbeabsichtigt startet • Verhindert, dass der Motor nicht zu stoppen ist	Cat.	3
	DC avg	Über 98%
	PL	c
	MTTFd	Über 42 Jahre

Erklärung der Terminologie

Cat.

Klassifizierung der sicherheitsbezogenen Teile eines Steuerungssystems hinsichtlich ihres Störwiderstands und ihres nachfolgenden Verhaltens im Fehlerzustand, die durch die strukturelle Anordnung der Teile, Fehlererkennung und/oder durch ihre Zuverlässigkeit erreicht werden

DC avg

Messung der Wirksamkeit der Diagnose, die als Verhältnis zwischen der Ausfallrate erfasster gefährlicher Ausfälle und der Ausfallrate der gesamten gefährlichen Ausfälle ermittelt werden kann

PL

Für diesen Teil der ISO 13849 wird die Fähigkeit sicherheitsbezogener Teile zur Umsetzung einer Sicherheitsfunktion durch die Bestimmung des Leistungsniveaus ausgedrückt.

MTTFd

Erwartung der mittleren Zeit bis zum gefährlichen Ausfall

NOTIZ

INTRODUCCIÓN

Muchas gracias por la adquisición de una unidad de alimentación de CC de Honda.

Este manual contiene información sobre cómo utilizarla; lea este manual detenidamente antes de usar la unidad de alimentación de CC.

La batería y el cargador de batería se proporcionan con cada manual del propietario. Siga estas instrucciones cuando utilice la batería o el cargador de batería.

En el caso de producirse algún problema, o si tuviese alguna pregunta acerca de su producto, póngase en contacto con su concesionario de servicio.

Es posible que el producto que se muestra en este manual del propietario no coincida con su producto real.

Este manual debe considerarse como una parte permanente de la unidad de alimentación de CC y debe entregarse junto con la unidad de alimentación de CC en caso de reventa.

Le sugerimos que lea la política de garantía para comprender completamente su cobertura y sus responsabilidades de propiedad.

Necesita una batería original y un cargador de batería original para utilizar la unidad de alimentación de CC.


- No utilice una batería que no sea original.
Utilizar una batería no original podría dañar la batería y la unidad de alimentación de CC debido a funciones de protección deficientes, etc.

CONTENIDO




INTRODUCCIÓN	1
MENSAJES DE SEGURIDAD	1
SEGURIDAD DE LA UNIDAD DE ALIMENTACIÓN DE CC.....	1
INFORMACIÓN DE SEGURIDAD IMPORTANTE	1
UBICACIÓN DE LAS ETIQUETAS DE SEGURIDAD	2
UBICACIONES DE LOS COMPONENTES Y CONTROLES.....	2
COMPROBACIONES PREVIAS AL USO	2
OPERACIÓN	2
CARGA DE LA BATERÍA	2
COLOCACIÓN DE LA BATERÍA	2
INICIO DE LA UNIDAD DE ALIMENTACIÓN DE CC.....	3
COMPROBACIÓN DEL NIVEL DE CARGA DE LA BATERÍA.....	3
PARADA DE LA UNIDAD DE ALIMENTACIÓN DE CC.....	3
EXTRACCIÓN DE LA BATERÍA.....	3
MANTENIMIENTO DE SU UNIDAD DE ALIMENTACIÓN DE CC	4
LA IMPORTANCIA DEL MANTENIMIENTO	4
PROGRAMA DE MANTENIMIENTO.....	4
TRANSPORTE.....	4
LIMPIEZA	4
ALMACENAMIENTO	4
ELIMINACIÓN	5
SOLUCIÓN DE PROBLEMAS.....	5
ESPECIFICACIONES	5
INFORMACIÓN DEL CONSUMIDOR.....	6
REFERENCIA.....	7
PARA LOS FABRICANTES DE MÁQUINAS.....	7

MENSAJES DE SEGURIDAD

Su seguridad y la seguridad de los demás son muy importantes. Hemos incluido mensajes de seguridad importantes en este manual. Lea detenidamente estos mensajes.


Un mensaje de seguridad le avisa sobre los peligros potenciales que podrían causarle lesiones a usted y a los demás. Cada mensaje de seguridad viene precedido por un símbolo de alerta de seguridad  y una de las tres palabras de indicación, PELIGRO, ADVERTENCIA o ATENCION.

Estas palabras de indicación significan:

 PELIGRO	MORIRÁ o sufrirá LESIONES GRAVES si no sigue las instrucciones.
 ADVERTENCIA	PUEDE MORIR o sufrir LESIONES GRAVES si no sigue las instrucciones.
 ATENCION	PUEDE resultar LESIONADO si no sigue las instrucciones.

Encontrará también otros mensajes importantes que vienen precedidos por la palabra AVISO.

Esta palabra significa:

 AVISO	Información que le ayudará a evitar dañar su unidad de alimentación de CC, otros bienes o el medio ambiente.
--	--

SEGURIDAD DE LA UNIDAD DE ALIMENTACIÓN DE CC

INFORMACIÓN DE SEGURIDAD IMPORTANTE

Por su seguridad y la de los demás, siga siempre las instrucciones que se indican a continuación.

- Antes de iniciar las operaciones, revise y comprenda estas instrucciones y las instrucciones proporcionadas con el equipo alimentado por esta unidad de alimentación de CC.
- Familiarícese con el funcionamiento de todos los controles y aprenda a detener la unidad de alimentación de CC rápidamente.
- No permita que nadie opere la unidad de alimentación de CC sin las instrucciones adecuadas. Además, no permita que los niños toquen la unidad de alimentación de CC. En caso contrario, podrían producirse lesiones graves o daños en la unidad de alimentación de CC.
- No retire la cubierta, la etiqueta ni otras piezas. Además, no desmonte ni modifique la unidad de alimentación de CC, ya que podría provocar un funcionamiento incorrecto o producir lesiones.
- No utilice la unidad de alimentación de CC si se encuentra bajo los efectos del alcohol o drogas. El menoscabo del juicio puede causar lesiones graves.
- Efectúe siempre la inspección previa a la operación antes de cada operación, y solucione los problemas encontrados.
- Utilice una batería original.
DP72104Z
- Para evitar descargas eléctricas, incendios y lesiones graves, retire siempre la batería de la unidad de alimentación de CC cuando la transporte o la inspeccione.
- No coloque objetos sobre la parte superior de la unidad de alimentación de CC aunque esté apagada. La unidad de alimentación de CC podría deformarse o causar un funcionamiento incorrecto o provocar lesiones.
- Mantenga la batería limpia y seca.

- No permita que entren en contacto con agua.
- No acople la unidad de alimentación de CC a un equipo antes de consultar con personal cualificado. Un acoplamiento inadecuado puede provocar lesiones o problemas de funcionamiento.

UBICACIÓN DE LAS ETIQUETAS DE SEGURIDAD

Ver Figura 1 en la página II.

Las etiquetas de seguridad están adheridas a la unidad de alimentación de CC y le proporcionan instrucciones.

Lea atentamente estas etiquetas de seguridad y las precauciones de seguridad de este manual.

Si las etiquetas adheridas al producto se vuelven ilegibles, como por ejemplo si están rotas o si se han perdido, sustitúyalas por etiquetas nuevas.

Póngase en contacto con su concesionario de Honda para adquirir un repuesto.

UBICACIONES DE LOS COMPONENTES Y CONTROLES

Ver Figura 2 en la página III y Figura 3 en la página IV.

COMPROBACIONES PREVIAS AL USO

Compruebe los siguientes puntos antes de utilizar la unidad de alimentación de CC. Antes de comenzar las comprobaciones previas a la operación, asegúrese de que la unidad de alimentación de CC esté en una superficie nivelada y detenida. Igualmente, realice una prueba de funcionamiento durante las comprobaciones.

⚠ ADVERTENCIA

Si no se realiza un mantenimiento correcto de esta unidad de alimentación de CC, o si no se corrige un problema antes de la operación, se puede producir una avería importante.

Algunas fallas pueden causar lesiones graves y muerte.

Efectúe siempre la inspección previa a la operación antes de cada operación, y solucione los problemas encontrados.

- Antes de instalar la batería, asegúrese de que:
 - La cubierta exterior no está dañada.
 - Los interruptores no están dañados.
 - El soporte de goma no está dañado.
 - El gancho de la batería no está flojo ni dañado.
 - La sujeción de la batería no está dañada.
 - El conector de la batería no está dañado.
 - El mazo de cables del motor no está dañado. (Solo para GXE2.0S)
 - No hay residuos ni suciedad excesiva en la unidad de alimentación de CC o en la batería.
- Durante el funcionamiento de prueba
 - Compruebe que todos los interruptores funcionan correctamente (inicio y parada)
 - Compruebe que todos los indicadores se encienden cuando se enciende la unidad de alimentación de CC

OPERACIÓN

CARGA DE LA BATERÍA

Consulte el manual del cargador de batería para obtener instrucciones sobre cómo cargar la batería.

COLOCACIÓN DE LA BATERÍA

Asegúrese de utilizar una batería original.

Ver Figura 4 en la página V y Figura 5 en la página VI.

1. Asegúrese de que no haya polvo ni suciedad en la bandeja de la batería.
2. Incline la batería e inserte su garra en el gancho de la batería.
3. Empuje hacia abajo la batería y enganche la sujeción de la batería en él.
4. Empuje la palanca de sujeción de la batería hacia arriba y bloquee la batería.
Tenga cuidado de no pillarse los dedos.
5. Retire la tapa del conector de la batería del cable de alimentación. Conecte el cable de alimentación al conector de la batería de la batería.

Después de instalar la batería, asegúrese de que el gancho y la sujeción de la batería estén firmemente instalados.

INICIO DE LA UNIDAD DE ALIMENTACIÓN DE CC

Ver Figura 3 en la página IV.






1. Pulse STOP (PARAR) en el interruptor START/STOP (INICIAR/PARAR).
 2. Pulse el botón POWER (ALIMENTACIÓN).
Todos los indicadores deben iluminarse durante unos segundos y, a continuación, solo permanecerá encendido el indicador POWER (ALIMENTACIÓN).
 3. Pulse el interruptor START/STOP (INICIAR/PARAR) a la posición START (INICIAR) para iniciar la unidad de alimentación de CC.
 4. Cambie la velocidad de la unidad de alimentación según sea necesario.
GXE2.0H: Opere la palanca de control de velocidad (tipos aplicables).
GXE2.0S: Pulse el botón SPEED CHANGE (CAMBIO DE VELOCIDAD).
- Si se pulsa el botón POWER (ALIMENTACIÓN) cuando el interruptor START/STOP (INICIAR/PARAR) está en la posición START (INICIAR), el indicador POWER (ALIMENTACIÓN) permanece apagado y el indicador ALERT (ALERTA) parpadea. En este caso, la unidad de alimentación de CC no puede arrancar. Pulse el interruptor START/STOP (INICIAR/PARAR) a la posición STOP (PARAR) y, a continuación, pulse el botón POWER (ALIMENTACIÓN).
 - Es posible que los indicadores tarden algún tiempo en encenderse después de pulsar el botón POWER (ALIMENTACIÓN). Si los indicadores no se encienden, pulse de nuevo el botón POWER (ALIMENTACIÓN).
 - Si la unidad de alimentación de CC no se utiliza durante un minuto después de pulsar el botón POWER (ALIMENTACIÓN), el indicador POWER (ALIMENTACIÓN) se apaga. Pulse de nuevo el botón POWER (ALIMENTACIÓN) para iniciar la unidad de alimentación de CC.
 - Si el interruptor de control está instalado en el equipo alimentado por la unidad de alimentación de CC, consulte el manual suministrado con el equipo para obtener instrucciones sobre cómo iniciar la unidad de alimentación de CC.

COMPROBACIÓN DEL NIVEL DE CARGA DE LA BATERÍA

Mientras está funcionando la unidad de alimentación de CC, el indicador del nivel de carga se ilumina o parpadea para que pueda confirmar el nivel de carga de la batería.

Mientras la unidad de alimentación de CC está detenida, pulse el botón de comprobación del nivel de carga para confirmar el nivel de carga de la batería.

Ver Figura 4 en la página V.

Visualización del indicador	Nivel de carga	
	Alto ↓ Bajo	Completamente cargada.
		Carga suficiente.
		La carga restante de la batería es baja. Cargue la batería.
		
		

■: Encendido, ✖: Parpadeando, □: Apagado

PARADA DE LA UNIDAD DE ALIMENTACIÓN DE CC

Ver Figura 3 en la página IV.

1. Pulse el interruptor START/STOP (INICIAR/PARAR) a la posición STOP (PARAR).
La unidad de alimentación de CC se detiene y el indicador POWER (ALIMENTACIÓN) se apaga.
- También puede detener la unidad de alimentación de CC pulsando el botón POWER (ALIMENTACIÓN), pero puede tardar un poco en detenerse.
 - Si el interruptor de control está instalado en el equipo alimentado por la unidad de alimentación de CC, consulte el manual suministrado con el equipo para obtener instrucciones sobre cómo detener la unidad de alimentación de CC.

EXTRACCIÓN DE LA BATERÍA

1. Retire el cable de alimentación de la batería.
Al extraer el cable de alimentación, agarre el conector de la batería y sáquelo. No tire del cable de alimentación.
2. Tire de la sujeción de la batería hacia abajo para desbloquearla, incline la batería hacia arriba y saque la garra de la batería del gancho de la batería y retire la batería.
3. Coloque la tapa del conector de la batería en el cable de alimentación.

MANTENIMIENTO DE SU UNIDAD DE ALIMENTACIÓN DE CC

LA IMPORTANCIA DEL MANTENIMIENTO

Un mantenimiento adecuado es esencial para un funcionamiento seguro, económico, fiable y respetuoso con el medio ambiente.

⚠ ADVERTENCIA

Si no se realiza un mantenimiento correcto de esta unidad de alimentación de CC, o si no se corrige un problema antes de la operación, se puede producir una avería importante.

Algunas fallas pueden causar lesiones graves y muerte.

Siga siempre las recomendaciones de inspección y mantenimiento y los programas de este manual.

PROGRAMA DE MANTENIMIENTO

GXE2.0H

PERÍODO DE SERVICIO REGULAR (1)		Cada utilización	Cada 5 años o 500 horas
ELEMENTO			
Cubierta exterior	Comprobar	o	
Interruptor, palanca de control de velocidad (tipos aplicables)	Comprobar	o	
LED (tipo aplicable)	Comprobar	o	
Cable de alimentación	Comprobar	o	
Mazo de cables	Comprobar		o(2)(4)
Sujeción de la batería	Comprobar	o	
	Reemplazar		o(2)
Soporte de goma	Comprobar	o	
	Reemplazar		o(2)
Gancho de la batería	Comprobar	o	
	Reemplazar		o(2)
Montura de goma	Reemplazar		o(2)
Perno de tope	Reemplazar		o(2)
Goma del tope	Reemplazar		o(2)
Orificio de drenaje	Limpiar		o(2)
Velocidad establecida	Comprobar	Cuando sea necesario(3)	

- (1) Efectúelo a cada intervalo de tiempo indicado o de horas de funcionamiento, lo que primero acontezca.
- (2) El servicio de estos elementos deberá realizarlo su concesionario de servicio, a menos que usted disponga de las herramientas adecuadas y posea suficientes conocimientos mecánicos. Consulte con un concesionario autorizado de Honda.
- (3) Si la unidad de alimentación de CC emite un sonido inusual, haga que sea revisada por su concesionario de servicio.
- (4) Sustituya si es necesario.

GXE2.0S

PERÍODO DE SERVICIO REGULAR (1)		Cada utilización	Cada 5 años o 250 horas
ELEMENTO			
Exterior	Comprobar	o	
Interruptor (tipo aplicable)	Comprobar	o	
LED (tipo aplicable)	Comprobar	o	
Cable de alimentación	Comprobar	o	
Mazo de cables del motor	Comprobar	o	
Mazo de cables	Comprobar		o(2)(4)
Sujeción de la batería	Comprobar	o	
	Reemplazar		o(2)
Soporte de goma	Comprobar	o	
	Reemplazar		o(2)
Gancho de la batería	Comprobar	o	
	Reemplazar		o(2)
Orificio de drenaje	Limpiar		o(2)
Velocidad establecida	Velocidad nominal	Comprobar	Cuando sea necesario(3)
	Velocidad media	Comprobar	
	Velocidad baja	Comprobar	

- (1) Efectúelo a cada intervalo de tiempo indicado o de horas de funcionamiento, lo que primero acontezca.
- (2) El servicio de estos elementos deberá realizarlo su concesionario de servicio, a menos que usted disponga de las herramientas adecuadas y posea suficientes conocimientos mecánicos. Consulte con un concesionario autorizado de Honda.
- (3) La velocidad establecida se ajusta en 3.600 min⁻¹(rpm) (velocidad nominal), 3.300 min⁻¹(rpm) (velocidad media) o 3.000 min⁻¹(rpm) (velocidad baja). Si la unidad de alimentación de CC emite un sonido inusual, haga que sea revisada por su concesionario de servicio.
- (4) Sustituya si es necesario.

TRANSPORTE

- Asegúrese de que la unidad de alimentación de CC se haya enfriado.
- Extraiga la batería.
- Mantenga la unidad de alimentación de CC nivelada durante el transporte.

LIMPIEZA

No utilice una manguera o un equipo de lavado a presión para rociar agua sobre la batería mientras la limpia. La entrada de agua en los componentes puede causar un mal funcionamiento.

ALMACENAMIENTO

- Antes de guardar la unidad de alimentación de CC, extraiga la batería para evitar su uso accidental.
- Guarde la unidad de alimentación de CC en una superficie nivelada.
- Evite las áreas de almacenamiento con altas temperaturas y alta humedad, o entornos con cambios bruscos de temperatura. Manténgalo alejado de la luz solar directa y de la lluvia.

ELIMINACIÓN

Para proteger el medio ambiente, no deseche este producto usando un sistema de recolección de residuos estándar. Respete las leyes y normativas locales o consulte en su concesionario autorizado de Honda sobre el procedimiento de eliminación.



No deseche los equipos eléctricos junto con los residuos domésticos. Si los aparatos eléctricos se desechan en basureros o en vertederos, las sustancias pueden gotear y reaccionar, y entrar en la cadena de alimentos, dañando su salud y bienestar. Para más información sobre la eliminación de este producto, póngase en contacto con su concesionario o con el servicio de recogida de residuos domésticos más cercano.

SOLUCIÓN DE PROBLEMAS

Si se produce un funcionamiento incorrecto, compruebe los siguientes puntos.

Si no resuelve el problema o los síntomas no mejoran, consulte con un concesionario de servicio autorizado de Honda.

La unidad de alimentación de CC no funciona

Causa posible	Solución
La batería no está colocada correctamente.	Consulte "COLOCACIÓN DE LA BATERÍA" (P. 2) y compruebe que el cable de alimentación y la batería están conectados correctamente.
La carga de la batería es baja.	Cargue la batería.
La batería no funciona correctamente.	Sustituya la batería.

El indicador ALERT (ALERTA) parpadea

Causa posible	Solución
La función de protección está activada.	Consulte con un concesionario autorizado de Honda.
Al arrancar la unidad de alimentación de CC, se pulsó el botón POWER (ALIMENTACIÓN) mientras el interruptor START/STOP (INICIAR/PARAR) estaba en la posición START (INICIAR).	Pulse el interruptor START/STOP (INICIAR/PARAR) a la posición STOP (PARAR) y, a continuación, pulse el botón POWER (ALIMENTACIÓN).
La unidad de alimentación de CC se calienta. (Se ilumina el indicador POWER (ALIMENTACIÓN))	Deje de utilizar la unidad de alimentación de CC y espere a que se enfríe.

El indicador ERROR (ERROR) está encendido

Causa posible	Solución
La función de protección está activada.	Consulte con un concesionario autorizado de Honda.

ESPECIFICACIONES

GXE2.0H (Tipo: S3, modelo con palanca de control de velocidad)

Modelo	GXE2.0H
Código de descripción	GMABK
Longitud × Anchura × Altura*1	294 × 418 × 296 mm
Masa*1	19,7 kg
Sistema de enfriamiento	Aire forzado
Potencia nominal continua (ajuste de fábrica)	1,6 kW (2,1 HP, 2,2 PS) / 3.600 min ⁻¹ (rpm)
Par de torsión	4,3 N·m (0,44 kgf·m) / 3.600 min ⁻¹ (rpm)
Corriente	27 A
Voltaje	72 V
Potencia neta	1,8 kW (2,4 HP, 2,4 PS) / 3.600 min ⁻¹ (rpm)
Par de torsión	4,8 N·m (0,49 kgf·m) / 3.600 min ⁻¹ (rpm)
Voltaje	72 V
Velocidad establecida	De 1.800 a 3.600 min ⁻¹ (rpm)
Intervalo de temperaturas de funcionamiento	De -15 a 40 °C

*1 Sin batería

GXE2.0S (Tipo: V1)

Modelo	GXE2.0S
Código de descripción	GMACK
Longitud × Anchura × Altura*1	Controlador: 351 × 299 × 127 mm Motor: 216 × 224 × 194 mm
Masa*1	Controlador: 7,1 kg Motor: 8,7 kg
Sistema de enfriamiento	Aire forzado
Potencia nominal continua	1,6 kW (2,1 HP, 2,2 PS) / 3.600 min ⁻¹ (rpm)
Par de torsión	4,3 N·m (0,44 kgf·m) / 3.600 min ⁻¹ (rpm)
Corriente	27 A
Voltaje	72 V
Potencia neta	1,8 kW (2,4 HP, 2,4 PS) / 3.600 min ⁻¹ (rpm)
Par de torsión	4,8 N·m (0,49 kgf·m) / 3.600 min ⁻¹ (rpm)
Voltaje	72 V
Velocidad establecida	Velocidad nominal 3.600 min ⁻¹ (rpm) Velocidad media 3.300 min ⁻¹ (rpm) Velocidad baja 3.000 min ⁻¹ (rpm)
Intervalo de temperaturas de funcionamiento	De -15 a 40 °C

*1 Sin batería

INFORMACIÓN DEL CONSUMIDOR

Garantía e información para encontrar distribuidores/ concesionarios

Estados Unidos, Puerto Rico e Islas Vírgenes Estadounidenses:

Visite nuestro sitio web: www.engines.honda.com

Canadá:

Llame al (888) 9HONDA9

o visite nuestro sitio web: www.honda.ca

Para la zona de Europa:

Visite nuestro sitio web: <http://www.honda-engines-eu.com>

Información de servicio para clientes

El personal de los concesionarios de servicio son profesionales entrenados. Ellos podrán contestar a cualquier pregunta que usted les haga. Si se encuentra con un problema que su concesionario no puede resolver satisfactoriamente, comuníquese al jefe del concesionario. El jefe de servicio, el director general o el propietario podrán ayudarle. Casi todos los problemas se resuelven de este modo.

Estados Unidos, Puerto Rico e Islas Vírgenes Estadounidenses:

Si no queda satisfecho con la decisión tomada por los jefes del concesionario, póngase en contacto con el distribuidor regional de motores Honda de su localidad. Encontrará sus nombres, direcciones y números de teléfono usando el localizador de distribuidores/concesionarios de nuestro sitio web en www.engines.honda.com

Si todavía no está satisfecho después de hablar con el distribuidor regional de motores, puede ponerse en contacto con la Oficina de Honda.

American Honda Motor Co., Inc.

Power Equipment Division

Customer Relations Dept.

4900 Marconi Drive

Alpharetta, GA 30005-8847

O teléfono: (770) 497-6400, L-V 9:00 a.m. - 7:30 p.m. hora del este

Todas las otras zonas:

Si no queda satisfecho con la decisión tomada por los jefes del concesionario, póngase en contacto con la Oficina de Honda.

Garantía internacional de la unidad de alimentación de CC Honda

La unidad de alimentación de CC Honda (incluyendo la batería y el cargador) instalada en este producto de marca está cubierta por una garantía de unidad de alimentación de CC Honda, bajo las condiciones siguientes.

- Las condiciones de garantía corresponden a las de la unidad de alimentación de CC establecidas por Honda para cada país.
- Las condiciones de garantía se aplican a las averías de la unidad de alimentación de CC causadas por un problema de fabricación o de especificaciones.
- La garantía no se aplica en los países en los que no haya ningún distribuidor Honda que comercialice la unidad de alimentación de CC.

Para obtener el servicio de garantía:

Deberá llevar su unidad de alimentación de CC Honda, o el equipo donde está instalada, junto con el comprobante de la fecha de compra original al concesionario donde compró el producto o a un concesionario Honda autorizado para vender dicho producto en su país. Para localizar un distribuidor/concesionario Honda cercano o comprobar el estado de la garantía en su país, visite nuestro sitio web de información de servicio global <https://www.hondappsv.com/ENG/>, o póngase en contacto con un distribuidor de su país.



Escanear

<https://www.hondappsv.com/ENG/>

Exclusiones:

La garantía de esta unidad de alimentación de CC no incluye lo siguiente:

1. Los daños o deterioros provocados por lo siguiente:
 - Negligencia en el mantenimiento periódico según lo especificado en el manual del propietario de la unidad de alimentación de CC
 - Reparación o mantenimiento no adecuados
 - Métodos de funcionamiento distintos de los indicados en el manual del propietario de la unidad de alimentación de CC
 - Daños provocados por el producto en el que está instalada la unidad de alimentación de CC
 - El uso de piezas y accesorios no originales de Honda, distintos de los aprobados por Honda
 - Exposición del producto a hollín y humo, agentes químicos, excrementos de aves, agua marina, brisa marina, sal u otros fenómenos ambientales
 - Colisión, negligencia, alteración no autorizada o uso indebido
 - Desgaste y rotura naturales (decoloración natural de las superficies pintadas o cromadas, descascarado de láminas y otros tipos de deterioro natural)
2. Piezas consumibles: Honda no garantiza la reducción normal de la capacidad de carga completa de la batería debido al uso y almacenamiento, ni el deterioro de las piezas debido al desgaste y rotura normales.
3. Limpieza, ajuste y tareas normales de mantenimiento periódico.
4. Uso de la unidad de alimentación de CC Honda para carreras o competiciones.
5. Cualquier unidad de alimentación de CC que forme parte de un producto declarado como pérdida total o vendido como restos por una institución financiera o aseguradora.

REFERENCIA

PARA LOS FABRICANTES DE MÁQUINAS

Para cumplir con la "ISO 13849-1" requerida en la región, se describe lo siguiente.

Aquí solo se describe la información que debe incluirse en el manual del propietario. Por lo tanto, se incluye parte de la información necesaria para montar la unidad de alimentación de CC en el equipo y no se proporciona toda la información.

Para obtener información sobre el accesorio de la unidad de alimentación de CC

Las funciones de seguridad de la unidad de alimentación de CC incluyen una función*1 para desactivar de forma segura el par de torsión del motor cuando se envía una señal de parada desde el interruptor START/STOP (INICIAR/PARAR) y una función*2 para desactivar el par de torsión del motor cuando se detecta una avería de contacto en el interruptor START/STOP (INICIAR/PARAR). El par del motor se desactiva dentro de los 500 ms siguientes a la entrada de la señal de paro desde el interruptor START/STOP (INICIAR/PARAR) o se detecta un fallo en el interruptor START/STOP (INICIAR/PARAR).

*1 Esta función ciertamente detiene el motor mediante una señal de parada enviada desde el interruptor START/STOP (INICIAR/PARAR).

*2 Esta función evita que el motor se arranque involuntariamente.

Cuando utilice la función de seguridad, realice siempre una evaluación de riesgos del equipo y asegúrese de que la función de seguridad que se muestra a continuación cumple con el PL requerido para el equipo.

Tabla X-1 Parámetros de la función de seguridad

ISO13849-1	Función de seguridad	UNIDAD DE ALIMENTACIÓN DE CC de Honda
Sistema de monitorización de interruptor START/STOP (INICIAR/PARAR) • Evita que el motor se arranque involuntariamente • Evita que el motor no pueda detenerse	Cat.	3
	DC avg	Más del 98 %
	PL	c
	MTTFd	Más de 42 años

Explicación de la terminología

Cat.

Clasificación de las piezas relacionadas con la seguridad de un sistema de control en relación con su resistencia a fallos y su comportamiento posterior en la condición de fallo, y que se logra mediante la disposición estructural de las piezas, la detección de fallos y/o su fiabilidad.

DC avg

Medida de la eficacia del diagnóstico, que puede determinarse como la relación entre la tasa de fallos peligrosos detectados y la tasa de fallos peligrosos totales.

PL

Para los fines de esta parte de ISO 13849, la capacidad de las piezas relacionadas con la seguridad para realizar una función de seguridad se expresa mediante la determinación del nivel de rendimiento.

MTTFd

Expectativa del tiempo medio hasta un fallo peligroso.

MEMO



INLEIDING

Dank u voor uw aanschaf van een Honda DC-voedingsunit. Deze handleiding bevat informatie over het gebruik ervan; lees de handleiding zorgvuldig door voordat u de DC-voedingsunit gebruikt.

Elke accu en acculader wordt met een gebruikershandleiding geleverd. Volg deze instructies wanneer u de accu of acculader gebruikt.

Als er storingen optreden of als u vragen over uw product heeft, neem dan contact op met uw onderhoudsdealer.

Het product dat in deze gebruikershandleiding wordt afgebeeld, komt mogelijk niet overeen met uw daadwerkelijke product.

Deze handleiding is te beschouwen als een permanent onderdeel van de DC-voedingsunit en hoort bij verkoop ervan aan de nieuwe eigenaar te worden overhandigd.

Wij raden u aan het garantiebeleid te lezen om de dekking en uw verantwoordelijkheden van het eigendom volledig te begrijpen.


U hebt een originele accu en een originele acculader nodig om de DC-voedingsunit te kunnen gebruiken.

- Gebruik geen niet-originele accu.
Het gebruiken van een niet-originele accu kan de accu en de DC-voedingsunit beschadigen vanwege slechte beschermingsfuncties, enz.

INHOUD

INLEIDING.....	1
VEILIGHEIDSMEEDEDELINGEN.....	1
VEILIGHEID DC-VOEDINGSUNIT.....	1
BELANGRIJKE VEILIGHEIDSINFORMATIE.....	1
LOCATIE VEILIGHEIDSSICKER.....	2
LOCATIES VAN COMPONENTEN & SCHAKELAARS.....	2
CONTROLES VOOR GEBRUIK.....	2
BEDIENING.....	2
DE ACCU OPLADEN.....	2
DE ACCU BEVESTIGEN.....	2
STARTEN VAN DE DC-VOEDINGSUNIT.....	3
CONTROLLEREN VAN HET LAADNIVEAU VAN DE ACCU.....	3
STOPPEN VAN DE DC-VOEDINGSUNIT.....	3
DE ACCU VERWIJDEREN.....	3
ONDERHOUDEN VAN UW DC-VOEDINGSUNIT.....	4
HET BELANG VAN ONDERHOUD.....	4
ONDERHOUDSSHEMA.....	4
VERVOER.....	4
REINIGEN.....	4
OPSLAG.....	4
VERWIJDERING.....	5
PROBLEMEN OPLOSSEN.....	5
SPECIFICATIES.....	5
GEBRUIKERSINFORMATIE.....	6
REFERENTIE.....	7
VOOR MACHINEFABRIKANTEN.....	7

VEILIGHEIDSMEEDEDELINGEN

Uw eigen veiligheid en die van anderen is van het grootste belang. Overal in deze handleiding vindt u belangrijke veiligheidsmededelingen. Lees deze mededelingen aandachtig. Een veiligheidsmededeling maakt u attent op potentiële risico's waarbij letsel aan uzelf of anderen kan worden toegebracht. Vóór elke veiligheidsmededeling ziet u een veiligheidssymbool  staan en een van de drie aanduidingen, GEVAAR, WAARSCHUWING of VOORZICHTIG.

Deze signaalwoorden betekenen:

 **GEVAAR**

U loopt **BESLIST DODELIJK** of **ERNSTIG** letsel op als u instructies niet opvolgt.

 **WAARSCHUWING**

U loopt **MOGELIJK DODELIJK** of **ERNSTIG** letsel op als u instructies niet opvolgt.

 **VOORZICHTIG**

U **KUNT LETSEL** oplopen als u instructies niet opvolgt.

U treft ook nog andere belangrijke mededelingen aan waarbij het woord **ATTENTIE** staat.

Dit woord betekent:

ATTENTIE

Informatie om schade aan uw DC-voedingsunit, andere eigendommen of het milieu te voorkomen.

VEILIGHEID DC-VOEDINGSUNIT

BELANGRIJKE VEILIGHEIDSINFORMATIE

Volg voor uw veiligheid en die van anderen altijd de onderstaande instructies.

- Voordat u met gebruik begint, controleer en begrijp deze instructies en de instructies die bij de apparatuur worden geleverd die door deze DC-voedingsunit wordt gevoed.
- Maak uzelf vertrouwd met de bediening van alle bedieningselementen en leer hoe u de DC-voedingsunit snel kunt stoppen.
- Laat niemand de DC-voedingsunit bedienen zonder de juiste instructies. Sta ook niet toe dat kinderen de DC-voedingsunit aanraken. Doet u dit niet, dan kan dit ernstig letsel of schade aan de DC-voedingsunit veroorzaken.
- Verwijder de afdekking, het label en andere onderdelen niet. Demonteer of wijzig de DC-voedingsunit ook niet, wat kan leiden tot storing of letsel.
- Gebruik de DC-voedingsunit niet als u onder invloed bent van alcohol of drugs. Een slecht beoordelingsvermogen kan ernstige verwondingen veroorzaken.
- Voer voorafgaand aan elk gebruik een controle uit en verhelp eventuele problemen.
- Gebruik een originele accu.
DP72104Z
- Om elektrische schokken, brand en ernstig letsel te voorkomen, dient u altijd de accu uit de DC-voedingsunit te verwijderen wanneer u deze draagt of controleert.
- Plaats geen voorwerpen op de DC-voedingsunit, zelfs niet als deze is uitgeschakeld. De DC-voedingsunit kan vervormd raken of een storing of letsel veroorzaken.
- Houd de accu schoon en droog.
- Laat ze niet in contact komen met water.
- Koppel de DC-voedingsunit niet aan een apparaat voordat u contact hebt opgenomen met gekwalificeerd personeel. Onjuiste koppeling kan leiden tot letsel of bedrijfsproblemen.

LOCATIE VEILIGHEIDSSTICKER

Zie figuur 1, pagina II.

Veiligheidslabels zijn ter instructie aangebracht op de DC-voedingsunit.

Lees deze veiligheidslabels en de veiligheidsmaatregelen in deze handleiding aandachtig door.

Als de labels op het product onleesbaar worden, bijvoorbeeld wanneer ze gescheurd of verloren zijn, vervang ze dan door nieuwe labels.

Neem contact op met uw Honda-dealer voor het aanschaffen van een vervangend label.

LOCATIES VAN COMPONENTEN & SCHAKELAARS

Zie figuur 2, pagina III en figuur 3, pagina IV.

CONTROLES VOOR GEBRUIK

Controleer de volgende punten voordat u de DC-voedingsunit gebruikt. Zorg ervoor dat de DC-voedingsunit op een vlakke ondergrond staat en gestopt is voordat u begint met uw pre-operationele controles.

Voer ook een testronde uit tijdens de controles.

WAARSCHUWING

Als de DC-voedingsunit niet correct wordt onderhouden of problemen niet worden verholpen voordat het wordt gebruikt, kunnen ernstige storingen ontstaan.

Sommige storingen kunnen resulteren in ernstige of dodelijke letsels.

Voer voorafgaand aan elk gebruik een controle uit en verhelp eventuele problemen.

- Voordat u de accu bevestigt, moet u controleren of:
 - De buitenste afdekking niet is beschadigd.
 - Schakelaars niet zijn beschadigd.
 - De rubberen steun niet is beschadigd.
 - De accuhaak niet loszit of is beschadigd.
 - De accubevestiging niet is beschadigd.
 - De accu-aansluiting niet is beschadigd.
 - De motorkabelboom niet is beschadigd. (Alleen voor GXE2.0S)
 - Er zit geen gruis of overmatige vervuiling op de DC-voedingsunit of de accu.
- Tijdens de testronde
 - Controleer of alle schakelaars goed werken (starten en stoppen)
 - Controleer of alle indicatielampjes branden wanneer de DC-voedingsunit wordt ingeschakeld

BEDIENING

DE ACCU OPLADEN

Raadpleeg de handleiding van de acculader voor instructies voor het opladen van de accu.

DE ACCU BEVESTIGEN

Zorg ervoor dat u een originele accu gebruikt.

Zie figuur 4 op pagina V en figuur 5 op pagina VI.

1. Zorg ervoor dat er geen rommel of vuil in de accuhouder zit.
2. Kantel de accu en plaats de klem in de accuhaak.
3. Duw de accu naar beneden en haak de accubevestiging eraan vast.
4. Duw de accubevestigingshendel omhoog en vergrendel de accu.
Pas op dat uw vingers niet bekneld raken.
5. Verwijder het deksel van de accu-aansluiting van de stroomkabel. Sluit de stroomkabel aan op de accu-aansluiting van de accu.

Controleer na het bevestigen van de accu of de accuhaak en de bevestiging stevig zijn bevestigd.






STARTEN VAN DE DC-VOEDINGSUNIT

Zie figuur 3 op pagina IV.

1. Druk op STOP op de START/STOP-schakelaar.
 2. Druk op de POWER (STROOM)-knop.
Alle indicatielampjes moeten een paar seconden oplichten en dan blijft alleen het POWER (STROOM)-indicatielampje branden.
 3. Druk de START/STOP-schakelaar naar de START-stand om de DC-voedingsunit te starten.
 4. Verander de snelheid van de voedingsunit indien nodig.
GXE2.0H: Bedien de snelheidsregelingshendel (van toepassing zijnde types).
GXE2.0S: Druk op de knop voor SPEED CHANGE (SNELHEIDSVERANDERING).
- Als de POWER (STROOM)-knop wordt ingedrukt wanneer de START/STOP-schakelaar in de START-stand staat, blijft het POWER (STROOM)-indicatielampje uit en knippert het ALERT (WAARSCHUWING)-indicatielampje. In dit geval kan de DC-voedingsunit niet starten. Druk de START/STOP-schakelaar naar de STOP-stand en druk dan op de POWER (STROOM)-knop.
 - Het kan enige tijd duren voordat de indicatielampjes oplichten nadat de POWER (STROOM)-knop is ingedrukt. Als de indicatielampjes niet branden, drukt u opnieuw op de POWER (STROOM)-knop.
 - Als de DC-voedingsunit ongeveer een minuut na het indrukken van de POWER (STROOM)-knop niet wordt gebruikt, gaat het POWER (STROOM)-indicatielampje uit. Druk nogmaals op de POWER (STROOM)-knop om de DC-voedingsunit te starten.
 - Als de bedieningsschakelaar is geïnstalleerd op de apparatuur die wordt gevoed door de DC-voedingsunit, raadpleeg dan de handleiding die is meegeleverd met de apparatuur voor instructies over het starten van de DC-voedingsunit.

CONTROLLEREN VAN HET LAADNIVEAU VAN DE ACCU

Wanneer de DC-voedingsunit in werking is, gaat de laadniveau-indicator branden of knipperen zodat u het laadniveau van de accu kunt controleren. Terwijl de DC-voedingsunit is gestopt, drukt u op de controletoeets voor het laadniveau om het laadniveau van de accu te controleren. Zie figuur 4 op pagina V.

Indicatorweergave	Laadniveau
	Hoog Volledig opgeladen.
	Voldoende opgeladen.
	Resterende acculading is laag. Laad de accu op.
	
	Laag

■: Aan, ✨: Knippert, □: Uit

STOPPEN VAN DE DC-VOEDINGSUNIT

Zie figuur 3 op pagina IV.

1. Druk de START/STOP-schakelaar naar de STOP-stand.
De DC-voedingsunit stopt en het POWER (STROOM)-indicatielampje gaat uit.
- U kunt de DC-voedingsunit ook stoppen door op de POWER (STROOM)-knop te drukken, maar het kan even duren voordat het stopt.
 - Als de bedieningsschakelaar is geïnstalleerd op de apparatuur die door de DC-voedingsunit wordt gevoed, raadpleeg dan de handleiding die is meegeleverd met de apparatuur voor instructies over het stoppen van de DC-voedingsunit.

DE ACCU VERWIJDEREN

1. Verwijder de stroomkabel van de accu.
Bij het verwijderen van de stroomkabel pakt u de accu-aansluiting vast en trekt u deze eruit. Trek niet aan de stroomkabel.
2. Trek de accubevestiging omlaag om te ontgrendelen, kantel de accu omhoog en trek de accu uit de accuhaak en verwijder de accu.
3. Bevestig het deksel van de accu-aansluiting op de stroomkabel.

ONDERHOUDEN VAN UW DC-VOEDINGSUNIT

HET BELANG VAN ONDERHOUD

Goed onderhoud is essentieel voor een veilige, economische, betrouwbare en milieuvriendelijke werking.

⚠ WAARSCHUWING

Als de DC-voedingsunit niet correct wordt onderhouden of problemen niet worden verholpen voordat het wordt gebruikt, kunnen ernstige storingen ontstaan.

Sommige storingen kunnen resulteren in ernstige of dodelijke letsels.

Volg altijd de aanbevelingen voor inspectie en onderhoud, en het schema in deze instructiehandleiding.

ONDERHOUDSSCHEMA

GXE2.0H

PERIODIEKE ONDERHOUDSBEURT (1)		Alle gebruik	Elke 5 jaar of 500 uur.
CONTROLEPUNT			
Buitenste afdekking	Controleren	o	
Schakelaar, snelheidsregelingshendel (van toepassing zijnde types)	Controleren	o	
LED (toepasselijke type)	Controleren	o	
Stroomkabel	Controleren	o	
Kabelboom	Controleren		o(2)(4)
Accubevestiging	Controleren	o	
	Vervangen		o(2)
Rubberen steun	Controleren	o	
	Vervangen		o(2)
Accuhaak	Controleren	o	
	Vervangen		o(2)
Rubberen bevestiging	Vervangen		o(2)
Stopperbout	Vervangen		o(2)
Stopperrubber	Vervangen		o(2)
Afvoeropening	Reinigen		o(2)
Stel toerental in	Controleren	Indien nodig(3)	

(1) Voer uit volgens elke aangegeven tijd of bedrijfsureninterval, wat het eerst komt.

(2) Onderhoud op deze punten moet worden uitgevoerd door uw onderhoudsdealer, als u niet over het juiste gereedschap beschikt en geen ervaren monteur bent. Neem contact op met een officiële Honda-dealer.

(3) Als de DC-voedingsunit een ongewoon geluid maakt, laat het dan nakijken door uw onderhoudsdealer.

(4) Vervang indien nodig.

GXE2.0S

PERIODIEKE ONDERHOUDSBEURT (1)		Alle gebruik	Elke 5 jaar of 250 uur.
CONTROLEPUNT			
Buitenkant	Controleren	o	
Schakelaar (toepasselijke type)	Controleren	o	
LED (toepasselijke type)	Controleren	o	
Stroomkabel	Controleren	o	
Motorkabelboom	Controleren	o	
Kabelboom	Controleren		o(2)(4)
	Vervangen		o(2)
Accubevestiging	Controleren	o	
	Vervangen		o(2)
Rubberen steun	Controleren	o	
	Vervangen		o(2)
Accuhaak	Controleren	o	
	Vervangen		o(2)
Afvoeropening	Reinigen		o(2)
Stel toerental in	Nominale snelheid	Controleren	Indien nodig(3)
	Gemiddelde snelheid	Controleren	
	Lage snelheid	Controleren	

(1) Voer uit volgens elke aangegeven tijd of bedrijfsureninterval, wat het eerst komt.

(2) Onderhoud op deze punten moet worden uitgevoerd door uw onderhoudsdealer, als u niet over het juiste gereedschap beschikt en geen ervaren monteur bent. Neem contact op met een officiële Honda-dealer.

(3) Ingestelde snelheid is ingesteld op 3.600 min⁻¹(tpm) (nominale snelheid), 3.300 min⁻¹(tpm) (gemiddelde snelheid) of 3.000 min⁻¹(tpm) (lage snelheid). Als de DC-voedingsunit een ongewoon geluid maakt, laat het dan nakijken door uw onderhoudsdealer.

(4) Vervang indien nodig.

VERVOER

- Zorg ervoor dat de DC-voedingsunit is afgekoeld.
- Verwijder de accu.
- Houd de DC-voedingsunit horizontaal tijdens transport.

REINIGEN

Gebruik geen slang of hogedrukreiniger om water op de accu te spuiten tijdens het reinigen. Water dat de componenten binnendringt kan een storing veroorzaken.

OPSLAG

- Verwijder de accu voordat u de DC-voedingsunit opbergt om onbedoelde werking te voorkomen.
- Bewaar de DC-voedingsunit op een vlakke ondergrond.
- Vermijd opslagplaatsen met een hoge temperatuur en een hoge luchtvochtigheid, of omgevingen met grote temperatuurschommelingen. Houd uit de buurt van direct zonlicht en regen.

VERWIJDERING

Om het milieu te beschermen, mag u dit product niet weggooien bij een standaard afvalinzameling. Neem de plaatselijke wet- en regelgeving in acht of neem contact op met uw officiële Honda-dealer voor verwijdering.



Gooi elektrische apparatuur niet bij het huisvuil. Als elektrische apparaten worden weggegooid op een stortplaats of vuilnisbelt, kunnen stoffen lekken en reageren en in de voedselketen terecht komen, wat uw gezondheid en welzijn beschadigt. Neem voor meer informatie over het weggooien van dit product contact op met uw dealer of de dichtstbijzijnde vuilnisophalddienst.

PROBLEMEN OPLOSSEN

Controleer de volgende punten indien er een storing is. Als een probleem niet is opgelost of de symptomen niet verbeteren, neem dan contact op met een officiële Honda-onderhoudsdealer.

De DC-voedingsunit werkt niet

Mogelijke oorzaak	Oplossing
Accu is niet correct bevestigd.	Raadpleeg "DE ACCU BEVESTIGEN" (P. 2) en controleer of de stroomkabel en accu correct zijn bevestigd.
Accuniveau is laag.	Laad de accu op.
De accu is defect.	Vervang de accu.

ALERT (WAARSCHUWING)-indicatielampje knippert

Mogelijke oorzaak	Oplossing
Beveiligingsfunctie is ingeschakeld.	Neem contact op met een officiële Honda-dealer.
Bij het starten van de DC-voedingsunit werd de POWER (STROOM)-knop ingedrukt terwijl de START/STOP-schakelaar in de START-stand stond.	Druk de START/STOP-schakelaar naar de STOP-stand en druk dan op de POWER (STROOM)-knop.
DC-voedingsunit wordt heet.	Stop met het gebruik van de DC-voedingsunit en wacht tot het is afgekoeld.

ERROR (FOUT)-indicatielampje brandt

Mogelijke oorzaak	Oplossing
Beveiligingsfunctie is ingeschakeld.	Neem contact op met een officiële Honda-dealer.

SPECIFICATIES

GXE2.0H (Type: S3, model met snelheidsregelingshendel)

Model	GXE2.0H
Beschrijvingscode	GMABK
Lengte × breedte × hoogte* ¹	294 × 418 × 296 mm
Massa* ¹	19,7 kg
Koelsysteem	Geforceerde luchtkoeling
Continu nominaal vermogen (fabrieksinstelling)	1,6 kW (2,1 HP, 2,2 PS) / 3.600 min ⁻¹ (tpm)
Koppel	4,3 N·m (0,44 kgf·m) / 3.600 min ⁻¹ (tpm)
Stroom	27 A
Spanning	72 V
Nettovermogen	1,8 kW (2,4 HP, 2,4 PS) / 3.600 min ⁻¹ (tpm)
Koppel	4,8 N·m (0,49 kgf·m) / 3.600 min ⁻¹ (tpm)
Spanning	72 V
Stel toerental in	1.800 tot 3.600 min ⁻¹ (tpm)
Gebruikstemperatuurbereik	-15 tot 40 °C

*1 Zonder accu

GXE2.0S (Type: V1)

Model	GXE2.0S
Beschrijvingscode	GMACK
Lengte × breedte × hoogte* ¹	Controller: 351 × 299 × 127 mm Motor: 216 × 224 × 194 mm
Massa* ¹	Controller: 7,1 kg Motor: 8,7 kg
Koelsysteem	Geforceerde luchtkoeling
Continu nominaal vermogen	1,6 kW (2,1 HP, 2,2 PS) / 3.600 min ⁻¹ (tpm)
Koppel	4,3 N·m (0,44 kgf·m) / 3.600 min ⁻¹ (tpm)
Stroom	27 A
Spanning	72 V
Nettovermogen	1,8 kW (2,4 HP, 2,4 PS) / 3.600 min ⁻¹ (tpm)
Koppel	4,8 N·m (0,49 kgf·m) / 3.600 min ⁻¹ (tpm)
Spanning	72 V
Stel toerental in	Nominale snelheid 3.600 min ⁻¹ (tpm) Gemiddelde snelheid 3.300 min ⁻¹ (tpm) Lage snelheid 3.000 min ⁻¹ (tpm)
Gebruikstemperatuurbereik	-15 tot 40 °C

*1 Zonder accu

GEBRUIKERSINFORMATIE

Garantie en informatie over zoeken distributeur/dealer

Verenigde Staten, Puerto Rico en Amerikaanse Maagdeneilanden:

Ga naar onze website: www.engines.honda.com

Canada:

Bel (888) 9HONDA9

of ga naar onze website: www.honda.ca

Voor Europa:

Bezoek onze website: <http://www.honda-engines-eu.com>

Klantenservice-informatie

De onderhoudsmonteurs bij uw dealerverstiging zijn goed opgeleide vakmensen. Zij zullen vrijwel elke vraag waarmee u zit kunnen beantwoorden. Als u een probleem heeft dat uw dealer niet naar tevredenheid oplost, bespreek dit dan met het management van de dealerverstiging. De werkplaatsmanager, algemeen manager of de eigenaar kunnen u helpen. Vrijwel alle problemen worden op deze wijze opgelost.

Verenigde Staten, Puerto Rico en Amerikaanse Maagdeneilanden:

Als u niet tevreden bent met een beslissing van het management van een dealerverstiging, neem dan contact op met de regiodealer voor Honda-motoren in uw gebied (Honda Regional Engine Distributor). U kunt hun naam, adres en telefoonnummer vinden met behulp van de distributeur/dealer-zoeker op onze website www.engines.honda.com

Als u ook na een gesprek met de regiodealer (Regional Engine Distributor) nog ontevreden bent, kunt u contact opnemen met het hieronder vermelde Honda-kantoor.

American Honda Motor Co., Inc.

Power Equipment Division

Customer Relations Dept.

4900 Marconi Drive

Alpharetta, GA 30005-8847

Of telefonisch: (770) 497-6400, ma-vr 9:00 - 19:30 Eastern Time

Overige delen van de wereld:

Als u niet tevreden bent met een beslissing van het management van de dealerverstiging, neem dan contact op met het Honda-kantoor.

Internationale garantie voor Honda-gelijkstroomvoedingen

De Honda-gelijkstroomvoeding (inclusief accupakket en acculader) die op dit merkproduct is geïnstalleerd valt onder dekking van de garantie op Honda-gelijkstroomvoedingen, waarbij het volgende in acht moet worden genomen.

- De garantievoorwaarden zijn in overeenstemming met de voorwaarden die door Honda voor ieder land voor gelijkstroomvoedingen zijn opgesteld.
- De garantievoorwaarden gelden voor defecten aan de gelijkstroomvoeding die zijn veroorzaakt door productie- of specificatiefouten.
- De garantie geldt niet in landen waar geen Honda-importeur is die de gelijkstroomvoeding op de markt brengt.

Om aanspraak te maken op de garantie:

Moet u uw Honda-gelijkstroomvoeding, of het product waarop deze is geïnstalleerd, samen met een bewijs waarop de aankoopdatum staat vermeld, naar de verkoper brengen waar u het product hebt gekocht of naar een Honda-dealer die bevoegd is om dat product in uw land te verkopen. Ga voor het vinden van de Honda-importeur of een dealer bij u in de buurt of voor het raadplegen van de garantievoorwaarden voor uw land, naar onze wereldwijde service-informatiewebsite <https://www.hondapps.com/ENG/> of neem contact op met de importeur voor uw land.



<https://www.hondapps.com/ENG/>

Uitsluitingen:

Niet onder de dekking van deze garantie op uw gelijkstroomvoeding valt het volgende:

1. Alle schade of achteruitgang die het gevolg is van:
 - Veronachtzaming van het periodieke onderhoud zoals gespecificeerd in de gebruikershandleiding van de gelijkstroomvoeding
 - Onjuist uitgevoerde reparatie- of onderhoudswerkzaamheden
 - Andere bedieningsmethoden dan beschreven in de gebruikershandleiding van de gelijkstroomvoeding
 - Schade veroorzaakt door het product waarop de gelijkstroomvoeding is geïnstalleerd
 - Het gebruik van niet-originele Honda-onderdelen of niet door Honda goedgekeurde accessoires
 - Blootstelling van het product aan roet en rook, chemische middelen, vogeluitwerpselen, zeewater, zeewind, zout of andere omgevingsinvloeden
 - Botsing, verwaarlozing, ongeoorloofde aanpassing of misbruik
 - Natuurlijke slijtage (natuurlijke verbleking van geverfde of veredelde oppervlakken, afschilfering en andere natuurlijke achteruitgang)
2. Verbruiksartikelen: Honda geeft geen garantie op normale afname van de volledige oplaadcapaciteit van de accu als gevolg van gebruik en opslag, en achteruitgang van onderdelen als gevolg van normale slijtage.
3. Reiniging, afstelling en normaal periodiek onderhoud.
4. Gebruik van de Honda-gelijkstroomvoeding voor races of wedstrijden.
5. Wanneer de gelijkstroomvoeding onderdeel is van een product dat ooit total loss is verklaard of voor berging is verkocht door een financiële instelling of verzekeraar.

REFERENTIE

VOOR MACHINEFABRIKANTEN

Om te voldoen aan „ISO 13849-1“, wat in de regio vereist is, wordt het volgende beschreven.

Alleen de informatie die in de gebruikershandleiding moet worden opgenomen, wordt hier beschreven. Daarom is sommige informatie die nodig is om de DC-voedingsunit in de apparatuur te monteren inbegrepen en wordt niet alle informatie verstrekt.

Ter informatie over de bevestiging van de DC-voedingsunit

De veiligheidsfuncties van de DC-voedingsunit omvatten een functie*¹ om het koppel naar de motor veilig uit te schakelen wanneer een stopsignaal van de START/STOP-schakelaar wordt verzonden en een functie*² om het koppel naar de motor uit te schakelen wanneer een contactstoring wordt gedetecteerd bij de START/STOP-schakelaar.

Het koppel naar de motor wordt binnen 500 ms na de invoer van het stopsignaal van de START/STOP-schakelaar uitgeschakeld of er wordt een storing aan de START/STOP-schakelaar gedetecteerd.

*1 Deze functie stopt de motor beslist door een stopsignaal verzonden van de START/STOP-schakelaar

*2 Deze functie voorkomt dat de motor onbedoeld start

Wanneer u de veiligheidsfunctie gebruikt, moet u altijd een risicobeoordeling van de apparatuur uitvoeren en ervoor zorgen dat de hieronder getoonde veiligheidsfunctie voldoet aan PL vereist voor de apparatuur.

Tabel X-1 Parameters van veiligheidsfunctie

ISO13849-1	Veiligheidsfunctie	Honda DC-VOEDINGSUNIT
START/STOP-schakelaarbewakingsysteem	Cat.	3
• Voorkom dat de motor onbedoeld start	DC avg	Meer dan 98%
• Voorkom dat de motor niet meer te stoppen is	PL	c
	MTTFd	Meer dan 42 jaar

Verklaring van terminologie

Cat.

Classificatie van de veiligheidsgelateerde onderdelen van een besturingssysteem ten aanzien van hun weerstand tegen fouten en hun daaropvolgende gedrag in de foutconditie, en wat wordt bereikt door de structurele opstelling van de onderdelen, foutdetectie en/of door hun betrouwbaarheid

DC avg

Mate van de effectiviteit van diagnoses, die kan worden vastgesteld als de verhouding tussen het storingspercentage van gedetecteerde gevaarlijke storingen en het storingspercentage van totale gevaarlijke storingen

PL

Ten behoeve van dit deel van ISO 13849 wordt het vermogen van veiligheidsgelateerde onderdelen om een veiligheidsfunctie uit te voeren uitgedrukt door de bepaling van het prestatieniveau.

MTTFd

Verwachting van de gemiddelde tijd tot gevaarlijke storing

MEMO



INTRODUZIONE

Grazie per l'acquisto di un gruppo di alimentazione CC Honda. Questo manuale contiene informazioni su come utilizzarlo; leggere attentamente il manuale prima di utilizzare il gruppo di alimentazione CC.

Un manuale dell'utente è in dotazione con ciascun gruppo batteria e caricabatteria. Seguirne le istruzioni quando si utilizza il gruppo batteria o il caricabatteria.

In caso di problemi o domande sul prodotto, rivolgersi al concessionario di manutenzione.

Il prodotto illustrato in questo manuale dell'utente potrebbe non corrispondere al prodotto reale.

Questo manuale deve essere considerato parte integrante del gruppo di alimentazione CC e deve essere accluso allo stesso in caso di successiva rivendita.

Consigliamo di leggere la politica sulla garanzia per comprendere appieno la sua copertura e le responsabilità dell'utente che accompagnano la proprietà.

Per utilizzare il gruppo di alimentazione CC sono necessari un gruppo batteria originale e un caricabatteria originale.


- Non utilizzare un gruppo batteria non originale.
L'utilizzo di un gruppo batteria non originale potrebbe danneggiare sia se stesso sia il gruppo di alimentazione CC a causa di funzioni di protezione scadenti, ecc.

INDICE

INTRODUZIONE.....	1
MESSAGGI DI SICUREZZA	1
SICUREZZA DEL GRUPPO DI ALIMENTAZIONE CC	1
IMPORTANTI INFORMAZIONI DI SICUREZZA	1
POSIZIONE DELL'ETICHETTA DI SICUREZZA	2
POSIZIONI DEI COMPONENTI E DEI COMANDI	2
CONTROLLI PRIMA DEL FUNZIONAMENTO	2
FUNZIONAMENTO.....	2
CARICA DEL GRUPPO BATTERIA.....	2
COLLEGAMENTO DEL GRUPPO BATTERIA.....	2
AVVIO DEL GRUPPO DI ALIMENTAZIONE CC	3
CONTROLLO DEL LIVELLO DI CARICA DEL GRUPPO BATTERIA	3
ARRESTO DEL GRUPPO DI ALIMENTAZIONE CC	3
RIMOZIONE DEL GRUPPO BATTERIA	3
MANUTENZIONE DEL GRUPPO DI ALIMENTAZIONE CC	4
IMPORTANZA DELLA MANUTENZIONE	4
PROGRAMMA DI MANUTENZIONE	4
TRASPORTO	4
PULIZIA.....	4
CONSERVAZIONE.....	4
SMALTIMENTO.....	5
RISOLUZIONE DEI PROBLEMI.....	5
SPECIFICHE	5
INFORMAZIONI PER L'UTILIZZATORE.....	6
RIFERIMENTO	7
PER I PRODUTTORI DI MACCHINE	7

MESSAGGI DI SICUREZZA

La sicurezza, propria ed altrui, riveste estrema importanza. In questo manuale vengono forniti importanti messaggi di sicurezza. Leggere tali messaggi con attenzione.

Un messaggio di sicurezza avvisa della presenza di potenziali pericoli che possono provocare lesioni a sé e ad altri. Ciascun messaggio di sicurezza è preceduto dal simbolo di allarme di sicurezza  e da una delle tre parole di segnalazione, PERICOLO, AVVERTENZA o ATTENZIONE.

Il significato di questi termini è il seguente:

PERICOLO

Il mancato rispetto delle istruzioni PROVOCHERÀ la MORTE o GRAVI LESIONI PERSONALI.

AVVERTENZA

Il mancato rispetto delle istruzioni POTREBBE provocare la MORTE o GRAVI LESIONI PERSONALI.

ATTENZIONE

Il mancato rispetto delle istruzioni POTREBBE provocare LESIONI PERSONALI.

Esistono inoltre altri importanti messaggi preceduti dal termine AVVISO.

Il significato di questo termine è il seguente:

AVVISO

Informazioni per evitare danni al gruppo di alimentazione CC, ad altre proprietà o all'ambiente.

SICUREZZA DEL GRUPPO DI ALIMENTAZIONE CC

IMPORTANTI INFORMAZIONI DI SICUREZZA

Per la propria sicurezza e per quella degli altri, seguire sempre le istruzioni riportate di seguito.

- Prima di iniziare le operazioni, consultare e comprendere queste istruzioni e le istruzioni fornite con l'apparecchio alimentato da questo gruppo di alimentazione CC.
- Acquisire familiarità con il funzionamento di tutti i comandi e imparare ad arrestare rapidamente il gruppo di alimentazione CC.
- Non consentire a nessuno di utilizzare il gruppo di alimentazione CC senza le istruzioni appropriate. Inoltre, non consentire ai bambini di toccare il gruppo di alimentazione CC. La mancata osservanza di questa precauzione potrebbe causare lesioni personali gravi o danni al gruppo di alimentazione CC.
- Non rimuovere il coperchio, l'etichetta e altre parti. Inoltre, non smontare o modificare il gruppo di alimentazione CC, perché ciò potrebbe causare malfunzionamenti o lesioni personali.
- Non utilizzare il gruppo di alimentazione CC sotto l'effetto di alcol o droghe. La capacità di giudizio compromessa può causare gravi lesioni.
- Eseguire sempre i controlli appropriati prima di ogni uso e risolvere gli eventuali problemi riscontrati.
- Utilizzare un gruppo batteria originale.
DP72104Z
- Per evitare scosse elettriche, incendi e lesioni gravi, rimuovere sempre il gruppo batteria dal gruppo di alimentazione CC durante il trasporto o il controllo.

- Non collocare oggetti sulla parte superiore del gruppo di alimentazione CC, anche se è spento. Il gruppo di alimentazione CC potrebbe deformarsi o causare malfunzionamenti o lesioni personali.
- Tenere il gruppo batteria pulito e asciutto.
- Evitare che entri a contatto con acqua.
- Non accoppiare il gruppo di alimentazione CC con un'apparecchiatura prima di consultare il personale qualificato. Un accoppiamento scorretto potrebbe causare lesioni o problemi di funzionamento.

POSIZIONE DELL'ETICHETTA DI SICUREZZA

Vedere Figura 1 a pagina II.

Le etichette di sicurezza sono affisse sul gruppo di alimentazione CC per fornire istruzioni.

Leggere attentamente queste etichette di sicurezza e le precauzioni di sicurezza contenute in questo manuale.

Se le etichette applicate sul prodotto diventano illeggibili, per esempio se sono strappate o perse, sostituirle con nuove etichette.

Rivolgersi al concessionario Honda per l'acquisto di un ricambio.

POSIZIONI DEI COMPONENTI E DEI COMANDI

Vedere Figura 2 a pagina III e Figura 3 a pagina IV.

CONTROLLI PRIMA DEL FUNZIONAMENTO

Controllare i seguenti punti prima di utilizzare il gruppo di alimentazione CC. Prima di iniziare i controlli prima del funzionamento, accertarsi che il gruppo di alimentazione CC sia su una superficie piana e spento.

Inoltre, eseguire una prova di funzionamento durante i controlli.

⚠ AVVERTENZA

Se non si esegue la corretta manutenzione del gruppo di alimentazione CC o non si corregge un problema prima di utilizzarlo, si rischiano guasti significativi.

Alcuni problemi di funzionamento possono provocare ferimenti gravi o mortali.

Eseguire sempre i controlli appropriati prima di ogni uso e risolvere gli eventuali problemi riscontrati.

- Prima di collegare il gruppo batteria, assicurarsi che:
 - La copertura esterna non è danneggiata.
 - Gli interruttori non sono danneggiati.
 - Il supporto in gomma non è danneggiato.
 - Il gancio della batteria non è allentato o danneggiato.
 - Il dispositivo di fissaggio della batteria non è danneggiato.
 - Il connettore batteria non è danneggiato.
 - Il cablaggio elettrico del motore non è danneggiato. (Solo per GXE2.0S)
 - Non vi sono detriti o sporco eccessivo sul gruppo di alimentazione CC o sul gruppo batteria.

- Durante la prova di funzionamento
 - Controllare che tutti gli interruttori funzionino correttamente (avvio e arresto)
 - Controllare che tutti gli indicatori si accendano quando il gruppo di alimentazione CC viene acceso

FUNZIONAMENTO

CARICA DEL GRUPPO BATTERIA

Fare riferimento al manuale del caricabatteria per istruzioni su come caricare il gruppo batteria.

COLLEGAMENTO DEL GRUPPO BATTERIA

Assicurarsi di utilizzare un gruppo batteria originale.

Vedere Figura 4 a pagina V e Figura 5 a pagina VI.

1. Assicurarsi che non vi siano detriti o sporcizia sulla base della batteria.
2. Inclinare il gruppo batteria e inserire la griffa nel gancio della batteria.
3. Spingere verso il basso il gruppo batteria e agganciarvi il dispositivo di fissaggio batteria.
4. Spingere la leva del dispositivo di fissaggio batteria verso l'alto e bloccare il gruppo batteria.
Fare attenzione a non intrappolare le dita.
5. Rimuovere il cappuccio connettore batteria dal cavo di alimentazione. Collegare il cavo di alimentazione al connettore batteria del gruppo batteria.

Dopo aver collegato il gruppo batteria, assicurarsi che il gancio e il dispositivo di fissaggio della batteria siano fissati saldamente.

AVVIO DEL GRUPPO DI ALIMENTAZIONE CC






Vedere Figura 3 a pagina IV.

1. Premere STOP (ARRESTO) sull'interruttore START/STOP (AVVIO/ARRESTO).
 2. Premere il pulsante POWER (ALIMENTAZIONE).
Tutti gli indicatori devono accendersi per alcuni secondi, quindi solo l'indicatore POWER (ALIMENTAZIONE) rimane acceso.
 3. Premere l'interruttore START/STOP (AVVIO/ARRESTO) in posizione START (AVVIO) per avviare il gruppo di alimentazione CC.
 4. Cambiare la velocità del gruppo di alimentazione secondo necessità.
GXE2.0H: azionare la leva di controllo della velocità (tipi applicabili).
GXE2.0S: premere il pulsante SPEED CHANGE (CAMBIO VELOCITÀ).
- Se si preme il pulsante POWER (ALIMENTAZIONE) quando l'interruttore START/STOP (AVVIO/ARRESTO) è in posizione START (AVVIO), l'indicatore POWER (ALIMENTAZIONE) rimane spento e l'indicatore ALERT (AVVISO) lampeggia. In questo caso, il gruppo di alimentazione CC non può avviarsi. Premere l'interruttore START/STOP (AVVIO/ARRESTO) in posizione STOP (ARRESTO) e quindi premere il pulsante POWER (ALIMENTAZIONE).
 - Potrebbe essere necessario un certo tempo perché gli indicatori si accendano dopo aver premuto il pulsante POWER (ALIMENTAZIONE). Se gli indicatori non si accendono, premere nuovamente il pulsante POWER (ALIMENTAZIONE).
 - Se il gruppo di alimentazione CC non viene utilizzato per circa un minuto dopo aver premuto il pulsante POWER (ALIMENTAZIONE), l'indicatore POWER (ALIMENTAZIONE) si spegne. Premere nuovamente il pulsante POWER (ALIMENTAZIONE) per avviare il gruppo di alimentazione CC.
 - Se l'interruttore di controllo è installato sull'apparecchiatura alimentata dal gruppo di alimentazione CC, fare riferimento al manuale fornito con l'apparecchiatura per le istruzioni su come avviare il gruppo di alimentazione CC.

CONTROLLO DEL LIVELLO DI CARICA DEL GRUPPO BATTERIA

Quando il gruppo di alimentazione CC è in funzione, l'indicatore del livello di carica si illumina o lampeggia in modo da poter confermare il livello di carica del gruppo batteria. Mentre il gruppo di alimentazione CC è arrestato, premere il pulsante di controllo del livello di carica per confermare il livello di carica del gruppo batteria.

Vedere Figura 4 a pagina V.

Display indicatore		Livello di carica
	Alto ↓ Basso	Completamente carica.
		Carica a sufficienza.
		La carica residua della batteria è bassa. Caricare il gruppo batteria.
		
		

■: Acceso, : Lampeggiante, □: Spento

ARRESTO DEL GRUPPO DI ALIMENTAZIONE CC

Vedere Figura 3 a pagina IV.

1. Premere l'interruttore START/STOP (AVVIO/ARRESTO) in posizione STOP (ARRESTO).
Il gruppo di alimentazione CC si arresta e l'indicatore POWER (ALIMENTAZIONE) si spegne.
- È possibile arrestare il gruppo di alimentazione CC anche premendo il pulsante POWER (ALIMENTAZIONE), ma potrebbe essere necessario un certo tempo per l'arresto.
 - Se l'interruttore di controllo è installato sull'apparecchiatura alimentata dal gruppo di alimentazione CC, fare riferimento al manuale fornito con l'apparecchiatura per istruzioni su come arrestare il gruppo di alimentazione CC.

RIMOZIONE DEL GRUPPO BATTERIA

1. Rimuovere il cavo di alimentazione dal gruppo batteria.
Quando si rimuove il cavo di alimentazione, afferrare il connettore batteria ed estrarlo. Non tirare dal cavo di alimentazione.
2. Tirare verso il basso il dispositivo di fissaggio della batteria per sbloccarlo, inclinare il gruppo batteria verso l'alto ed estrarre la griffa del gruppo batteria dal gancio della batteria, quindi rimuovere il gruppo batteria.
3. Collegare il cappuccio connettore batteria al cavo di alimentazione.

MANUTENZIONE DEL GRUPPO DI ALIMENTAZIONE CC

IMPORTANZA DELLA MANUTENZIONE

Una corretta manutenzione è essenziale per il funzionamento sicuro, economico, affidabile ed ecologico.

⚠ AVVERTENZA

Se non si esegue la corretta manutenzione del gruppo di alimentazione CC o non si corregge un problema prima di utilizzarlo, si rischiano guasti significativi.

Alcuni problemi di funzionamento possono provocare ferimenti gravi o mortali.

Seguire sempre i consigli e i programmi riguardanti il controllo e la manutenzione di questo manuale.

PROGRAMMA DI MANUTENZIONE

GXE2.0H

PERIODO DI MANUTENZIONE REGOLARE (1)		Ad ogni uso	Ogni 5 anni o 500 ore
ELEMENTO			
Copertura esterna	Controllare	o	
Interruttore, leva di controllo della velocità (tipi applicabili)	Controllare	o	
LED (tipo applicabile)	Controllare	o	
Cavo di alimentazione	Controllare	o	
Cablaggio	Controllare		o(2)(4)
Dispositivo di fissaggio della batteria	Controllare	o	
	Sostituire		o(2)
Supporto in gomma	Controllare	o	
	Sostituire		o(2)
Gancio batteria	Controllare	o	
	Sostituire		o(2)
Montaggio in gomma	Sostituire		o(2)
Bullone di fermo	Sostituire		o(2)
Gomma del fermo	Sostituire		o(2)
Foro di scarico	Pulire		o(2)
Velocità impostata	Controllare	Quando necessario(3)	

(1) Effettuare nel momento indicato o all'intervallo di ore di funzionamento, dipendendo da qual è la prima delle evenienze a verificarsi.

(2) Gli interventi su questi elementi devono essere effettuati dal proprio concessionario, a meno che si disponga degli utensili e delle capacità meccaniche adeguate. Contattare un concessionario autorizzato Honda.

(3) Se il gruppo di alimentazione CC emette un suono insolito, farlo controllare dal concessionario di manutenzione.

(4) Sostituire se necessario.

GXE2.0S

PERIODO DI MANUTENZIONE REGOLARE (1)		Ad ogni uso	Ogni 5 anni o 250 ore
ELEMENTO			
Esterno	Controllare	o	
Interruttore (tipo applicabile)	Controllare	o	
LED (tipo applicabile)	Controllare	o	
Cavo di alimentazione	Controllare	o	
Cablaggio del motore	Controllare	o	
Cablaggio	Controllare		o(2)(4)
Dispositivo di fissaggio della batteria	Controllare	o	
	Sostituire		o(2)
Supporto in gomma	Controllare	o	
	Sostituire		o(2)
Gancio batteria	Controllare	o	
	Sostituire		o(2)
Foro di scarico	Pulire		o(2)
Velocità impostata	Velocità nominale	Controllare	Quando necessario(3)
	Velocità media	Controllare	
	Velocità bassa	Controllare	

(1) Effettuare nel momento indicato o all'intervallo di ore di funzionamento, dipendendo da qual è la prima delle evenienze a verificarsi.

(2) Gli interventi su questi elementi devono essere effettuati dal proprio concessionario, a meno che si disponga degli utensili e delle capacità meccaniche adeguate. Contattare un concessionario autorizzato Honda.

(3) La velocità impostata è fissata su 3.600 min⁻¹(giri/min) (velocità nominale), 3.300 min⁻¹(giri/min) (velocità media) o 3.000 min⁻¹(giri/min) (velocità bassa). Se il gruppo di alimentazione CC emette un suono insolito, farlo controllare dal concessionario di manutenzione.

(4) Sostituire se necessario.

TRASPORTO

- Assicurarsi che il gruppo di alimentazione CC si sia raffreddato.
- Rimuovere il gruppo batteria.
- Tenere il gruppo di alimentazione CC a livello durante il trasporto.

PULIZIA

Non utilizzare un tubo flessibile o una pulitrice a pressione per spruzzare acqua sul gruppo batteria durante la pulizia. L'infiltrazione di acqua nei componenti potrebbe causare un malfunzionamento.

CONSERVAZIONE

- Prima di conservare il gruppo di alimentazione CC, rimuovere il gruppo batteria per evitare operazioni involontarie.
- Conservare il gruppo di alimentazione CC su una superficie piana.
- Evitare aree di conservazione con alta temperatura e alta umidità o ambienti con forti variazioni di temperatura. Tenere lontano dalla luce diretta del sole e dalla pioggia.

SMALTIMENTO

Per proteggere l'ambiente, non smaltire questo prodotto utilizzando la normale raccolta dei rifiuti. Osservare le leggi e i regolamenti locali o rivolgersi al concessionario Honda autorizzato per lo smaltimento.



Non smaltire l'apparecchiatura elettrica insieme ai rifiuti domestici. Se gli apparecchi elettrici vengono smaltiti nelle discariche, le sostanze possono perdere, reagire e penetrare nella catena alimentare, danneggiando la salute e il benessere. Per ulteriori informazioni sullo smaltimento di questo prodotto, contattare il concessionario o il servizio di raccolta dei rifiuti domestici più vicino.

RISOLUZIONE DEI PROBLEMI

Controllare i seguenti punti se c'è un malfunzionamento. Se un problema non viene risolto o i sintomi non migliorano, consultare un concessionario di manutenzione autorizzato Honda.

Il gruppo di alimentazione CC non funziona

Possibile causa	Soluzione
Il gruppo batteria non è collegato correttamente.	Fare riferimento a "COLLEGAMENTO DEL GRUPPO BATTERIA" (P. 2) e controllare che il cavo di alimentazione e il gruppo batteria siano collegati correttamente.
La carica della batteria è bassa.	Caricare il gruppo batteria.
Il gruppo batteria non funziona correttamente.	Sostituire il gruppo batteria.

L'indicatore ALERT (AVVISO) lampeggia

Possibile causa	Soluzione
La funzione di protezione è stata attivata.	Contattare un concessionario autorizzato Honda.
All'avvio del gruppo di alimentazione CC, è stato premuto il pulsante POWER (ALIMENTAZIONE) mentre l'interruttore START/STOP (AVVIO/ARRESTO) era in posizione START (AVVIO).	Premere l'interruttore START/STOP (AVVIO/ARRESTO) in posizione STOP (ARRESTO) e quindi premere il pulsante POWER (ALIMENTAZIONE).
Il gruppo di alimentazione CC diventa molto caldo. (L'indicatore POWER (ALIMENTAZIONE) si illumina)	Interrompere l'uso del gruppo di alimentazione CC e attendere che si raffreddi.

L'indicatore ERROR (ERRORE) è acceso

Possibile causa	Soluzione
La funzione di protezione è stata attivata.	Contattare un concessionario autorizzato Honda.

SPECIFICHE

GXE2.0H (Tipo: S3, modello con leva di controllo velocità)

Modello	GXE2.0H
Codice descrittivo	GMABK
Lunghezza × Larghezza × Altezza*1	294 × 418 × 296 mm
Massa*1	19,7 kg
Impianto di raffreddamento	Ad aria forzata
Potenza nominale continua (impostazione di fabbrica)	1,6 kW (2,1 CV, 2,2 PS) / 3.600 min ⁻¹ (giri/min)
Coppia	4,3 N·m (0,44 kgf·m) / 3.600 min ⁻¹ (giri/min)
Corrente	27 A
Tensione	72 V
Potenza netta	1,8 kW (2,4 CV, 2,4 PS) / 3.600 min ⁻¹ (giri/min)
Coppia	4,8 N·m (0,49 kgf·m) / 3.600 min ⁻¹ (giri/min)
Tensione	72 V
Velocità impostata	Da 1.800 a 3.600 min ⁻¹ (giri/min)
Intervallo di temperature di funzionamento	Da -15 a 40 °C

*1 Senza gruppo batteria

GXE2.0S (Tipo: V1)

Modello	GXE2.0S
Codice descrittivo	GMACK
Lunghezza × Larghezza × Altezza*1	Controller: 351 × 299 × 127 mm Motore: 216 × 224 × 194 mm
Massa*1	Controller: 7,1 kg Motore: 8,7 kg
Impianto di raffreddamento	Ad aria forzata
Potenza nominale continua	1,6 kW (2,1 CV, 2,2 PS) / 3.600 min ⁻¹ (giri/min)
Coppia	4,3 N·m (0,44 kgf·m) / 3.600 min ⁻¹ (giri/min)
Corrente	27 A
Tensione	72 V
Potenza netta	1,8 kW (2,4 CV, 2,4 PS) / 3.600 min ⁻¹ (giri/min)
Coppia	4,8 N·m (0,49 kgf·m) / 3.600 min ⁻¹ (giri/min)
Tensione	72 V
Velocità impostata	Velocità nominale 3.600 min ⁻¹ (giri/min) Velocità media 3.300 min ⁻¹ (giri/min) Velocità bassa 3.000 min ⁻¹ (giri/min)
Intervallo di temperature di funzionamento	Da -15 a 40 °C

*1 Senza gruppo batteria

INFORMAZIONI PER L'UTILIZZATORE

Garanzia e informazioni per l'individuazione di un distributore/concessionario

Versioni per Stati Uniti, Porto Rico e Isole Vergini americane:

Visitare il nostro sito internet: www.engines.honda.com

Canada:

Chiamare (888) 9HONDA9

oppure visitare il nostro sito internet: www.honda.ca

Per l'area europea:

Visitare il nostro sito internet: <http://www.honda-engines-eu.com>

Informazioni sull'assistenza clienti

Il personale dei concessionari di manutenzione è costituito da professionisti addestrati. Essi dovrebbero essere in grado di rispondere alle vostre domande. Se avete un problema che il rivenditore non risolve al meglio, rivolgetevi alla direzione del concessionario. Il responsabile dell'assistenza, il direttore generale o il proprietario potranno aiutarvi.

La maggior parte dei problemi sono risolvibili in questo modo.

Versioni per Stati Uniti, Porto Rico e Isole Vergini americane:

Se non siete soddisfatti della decisione presa dalla direzione del concessionario, potete rivolgervi al distributore regionale di motori Honda della vostra zona. È possibile trovare il proprio nome, indirizzo e numero di telefono utilizzando il localizzatore distributore/rivenditore sul nostro sito web all'indirizzo www.engines.honda.com

Se non siete soddisfatti neppure dopo avere contattato il distributore regionale di motori Honda, potete contattare l'ufficio Honda.

American Honda Motor Co., Inc.

Power Equipment Division

Customer Relations Dept.

4900 Marconi Drive

Alpharetta, GA 30005-8847

O telefonare al numero: (770) 497-6400, L-V 9:00 am - 7:30 pm ET

Tutte le altre zone:

Se non siete soddisfatti della decisione presa dalla direzione del concessionario, rivolgetevi all'ufficio Honda.

Garanzia internazionale sui motori elettrici Honda a corrente continua

Il motore elettrico Honda a corrente continua installato in questo prodotto (ad inclusione del pacco batteria e del caricabatterie) è coperto dalla garanzia Honda prevista per i motori elettrici a corrente continua, nel rispetto dei seguenti presupposti:

- Le condizioni di garanzia sono conformi a quelle previste da Honda per i motori elettrici a corrente continua, definite per ogni singolo Paese.
- Le condizioni di garanzia si applicano in caso di problemi ai motori elettrici a corrente continua dovuti a un difetto di fabbrica.
- La garanzia non è valida in quei Paesi in cui non sia presente alcun Distributore Honda che fornisca motori elettrici a corrente continua.

Per ottenere interventi in garanzia:

Occorre portare il motore elettrico Honda a corrente continua, oppure la macchina su cui questo è stato montato, unitamente al titolo di acquisto originale su cui compaia la data di acquisto, presso il rivenditore dove è stato acquistato il prodotto oppure presso un Distributore di Honda autorizzato ad operare nel proprio Paese. Per trovare il Distributore/rivenditore Honda più vicino o per consultare le condizioni di garanzia in vigore nel proprio Paese, visitare il sito web riportante le informazioni di assistenza <https://www.hondapps.com/ENG/> oppure contattare il Distributore presente nel proprio Paese.



<https://www.hondapps.com/ENG/>

Cause di esclusione dalla garanzia:

La garanzia sui motori elettrici a corrente continua non copre i seguenti casi:

1. Qualsiasi danno o deterioramento risultante da:
 - Mancata esecuzione della manutenzione periodica, secondo quanto indicato sul libretto d'uso e manutenzione del motore elettrico a corrente continua.
 - Interventi di riparazione o di manutenzione impropri.
 - Utilizzo del motore diverso rispetto a quanto indicato sul libretto d'uso e manutenzione del motore elettrico a corrente continua.
 - Danni causati al motore elettrico a corrente continua dalla macchina su cui esso è stato installato.
 - Utilizzo di ricambi e accessori non originali Honda, diversi da quelli approvati da Honda.
 - Esposizione del prodotto a fuliggine e fumo, ad agenti chimici, guano di uccelli, acqua di mare, brezza marina, sale o altri fenomeni ambientali.
 - Urti, incuria, modifiche non autorizzate o uso improprio.
 - Normale usura (normale scolorimento delle superfici verniciate o rivestite, scrostatura delle lamiere o qualsiasi altro normale deterioramento).
2. Parti di ricambio soggette a usura: la garanzia Honda non copre il normale calo della capacità di carica massima della batteria dovuto all'uso e allo stoccaggio; sono parimenti escluse dalla garanzia Honda le parti il cui deterioramento sia dovuto a normale usura.
3. Pulizia, regolazione e normali interventi di manutenzione periodica.
4. Utilizzo del motore elettrico Honda a corrente continua in occasione di gare o competizioni.
5. Qualsiasi motore elettrico a corrente continua montato su di un prodotto che sia stato dichiarato affetto da "danno totale" (cioè nel caso in cui il guasto sia superiore al valore del prodotto stesso) oppure qualora tale prodotto sia stato venduto per il recupero crediti da parte di un istituto finanziario o assicurativo.

RIFERIMENTO

PER I PRODUTTORI DI MACCHINE

Per rispettare le norme "ISO 13849-1" richieste nella regione, viene descritto quanto segue.

Qui vengono descritte solo le informazioni che devono essere incluse nel manuale utente. Pertanto, alcune delle informazioni necessarie per assemblare il gruppo di alimentazione CC nell'apparecchiatura sono incluse, ma non tutte le informazioni sono fornite.

Per informazioni sul collegamento del gruppo di alimentazione CC

Le funzioni di sicurezza del gruppo di alimentazione CC includono una funzione*¹ per disattivare in sicurezza la coppia al motore quando viene inviato un segnale di arresto dall'interruttore START/STOP (AVVIO/ARRESTO) e una funzione*² per disattivare la coppia al motore quando viene rilevato un malfunzionamento del contatto nell'interruttore START/STOP (AVVIO/ARRESTO). La coppia al motore viene disattivata entro 500 ms dall'ingresso del segnale di arresto dall'interruttore START/STOP (AVVIO/ARRESTO) o dal rilevamento di un malfunzionamento nell'interruttore START/STOP (AVVIO/ARRESTO).

*1 Questa funzione arresta con certezza il motore tramite un segnale di arresto inviato dall'interruttore START/STOP (AVVIO/ARRESTO)

*2 Questa funzione impedisce l'avviamento accidentale del motore

Quando si utilizza la funzione di sicurezza, eseguire sempre una valutazione dei rischi dell'apparecchiatura e assicurarsi che la funzione di sicurezza mostrata di seguito soddisfi il PL (livello di prestazioni) richiesto per l'apparecchiatura.

Tabella X-1 Parametri della funzione di sicurezza

ISO13849-1	Funzione di sicurezza	GRUPPO DI ALIMENTAZIONE CC Honda
Sistema di monitoraggio interruttore START/STOP (AVVIO/ARRESTO) • Evitare l'avviamento accidentale del motore • Evitare che il motore non possa essere arrestato	Cat.	3
	DC avg	Oltre il 98%
	PL	c
	MTTFd	Oltre 42 anni

Spiegazione della terminologia

Cat.

Classificazione dei componenti relativi alla sicurezza di un sistema di controllo in relazione alla loro resistenza ai guasti e al successivo comportamento nella condizione di guasto, ottenuti dalla disposizione strutturale delle parti, dal rilevamento dei guasti e/o dalla loro affidabilità

DC avg

Misura dell'efficacia della diagnostica, che può essere determinata come rapporto tra il tasso di guasto dei guasti pericolosi rilevati e il tasso di guasto dei guasti pericolosi totali

PL

Ai fini di questa parte di ISO 13849, la capacità delle parti relative alla sicurezza di eseguire una funzione di sicurezza è espressa attraverso la determinazione del livello delle prestazioni.

MTTFd

Aspettativa del tempo medio per un guasto pericoloso

PROMEMORIA

はじめに

Honda DCパワーユニットをお買い上げいただきありがとうございます。
ご使用の前に、本書をよくお読みください。

ご使用の前に、本書をよくお読みください。

バッテリーパックおよびバッテリー充電器には、別冊の取扱説明書があります。バッテリーパックおよびバッテリー充電器の取り扱い、それぞれの取扱説明書に従ってください。

製品に問題やお気づきのことがございましたらお買い上げの販売店にお申し付けください。

本書は仕様変更などにより内容が実際の製品と一部異なる場合があります。

本書は製品と一緒に大切に保管してください。製品を譲渡するときは、本書も一緒にお渡しください。

インターナショナルワランティポリシーをお読みいただき、その保証範囲と所有権の責任をすべてご理解いただくことをお勧めします。

このDCパワーユニットを使用するには、専用のバッテリーパックと専用の充電器が必要です。

- 複製品のバッテリーパックは使用しないでください。
複製品バッテリーパックを使用すると、保護機能不足などにより、バッテリーパックだけでなく、DCパワーユニットにも不具合が生じるおそれがあります。

目次

はじめに	1
安全に関する表示について	1
DCパワーユニットの安全	1
安全に関する重要事項	1
安全ラベル	2
各部の名称	2
作業前点検	2
操作	2
バッテリーパックの充電	2
バッテリーパックの取り付け	2
DCパワーユニットの始動	3
バッテリーパックの充電レベルの確認	3
DCパワーユニットの停止	3
バッテリーパックの取り外し	3
点検・整備のしかた	4
メンテナンスの重要性	4
定期点検表	4
運搬	4
お手入れ	4
保管	4
廃棄	5
故障のときは	5
主要諸元	5

安全に関する表示について

本書では、作業者や他の人が傷害を負ったりする可能性のある事柄を下記の表示を使って記載し、その危険性を説明しています。

これらは安全上特に重要な項目です。必ずお読みいただき指示に従ってください。

⚠ 危険

指示に従わないと、死亡または重大な傷害に至るもの

⚠ 警告

指示に従わないと、死亡または重大な傷害に至る可能性があるもの

⚠ 注意

指示に従わないと、傷害を受ける可能性があるもの

その他の表示

NOTICE

指示に従わないと、製品やその他の物が損傷する可能性があるもの

DCパワーユニットの安全

安全に関する重要事項

あなたと他の人の安全を守るために次の指示に従ってください。

- この取扱説明書および作業機の取扱説明書を事前に読み、正しい取扱い方法を十分にご理解の上、操作してください。
- 間違いなく取扱うために各部の操作に慣れ、すばやく停止する方法を習得してください。
- 適切な指示、説明なしでは絶対に誰にも本機の運転操作をさせないでください。また、お子様には絶対に触らせないでください。事故や機器の損傷が起こる原因となります。
- カバーやラベル類、その他の部品を外してDCパワーユニットを操作しないでください。また、分解や改造はしないでください。思わぬ事故の原因となります。
- 過労や飲酒、薬物を服用してDCパワーユニットを使用しないでください。判断が鈍り、重大な事故を引き起こすことがあります。
- 操作の前に必ず作業前点検を行い、不具合がある場合は修理してください。
- このDCパワーユニット専用のバッテリーパックを使用してください。
DP72104Z
- 感電や発火、重大な傷害をまねく危険を回避するため、運搬や整備のときは必ずバッテリーパックをDCパワーユニットから取り外してください。
- 運転中はもちろん、使用しないときも、DCパワーユニットの上部に物を置かないでください。変形したり、思わぬ事故を引き起こすことがあります。
- バッテリーパックは清潔で乾燥した状態に保ってください。
- 水に触れないようにしてください。

- DCパワーユニットを作業機などに搭載する場合は、安全性、耐久性を確保するために高度な技術が必要です。搭載する際は、お買い上げの販売店にご相談ください。

安全ラベル

IIページの図1をご覧ください。

DCパワーユニットを安全に使用していただくために、本機には安全ラベルが貼ってあります。安全ラベルをすべて読んでからご使用ください。

本機に貼ってあるラベルが汚れ、破れ、紛失などで読めなくなってしまったときは、新しいラベルに貼り替えてください。また、安全ラベルが貼られている部品を交換する場合は、ラベルも新しいものを貼ってください。

安全ラベルについては、お買いあげ販売店にお問い合わせください。

各部の名称

IIIページの図2およびIVページの図3をご覧ください。

作業前点検

DCパワーユニットを始動する前に点検を行ってください。点検はDCパワーユニットを水平な場所に置き、停止した状態で行ってください。

また、作業前に試運転、停止の点検を行ってください。

▲ 警告

DCパワーユニットを適切に整備しなかったり、始動前に問題を是正しなかったりすると、重大な誤動作を起こす可能性があります。

誤動作の中には、重傷を負ったり死亡したりするものもあります。

始動前に必ず作業前点検を行い、問題がある場合は是正してください。

- バッテリーパック取り付け前の点検
 - 外装カバーに損傷がないこと
 - スイッチに損傷がないこと
 - バッテリーマウントラバーに損傷がないこと
 - バッテリーフックに緩み、損傷がないこと
 - バッテリーファスナーに損傷がないこと
 - バッテリーコネクタに損傷がないこと
 - モーターハーネスに損傷がないこと（GXE2.0Sのみ）
 - DCパワーユニットおよびバッテリーパックの各部に異物のかみこみや過度の汚れがないこと
- 試運転での点検
 - スイッチの機能確認（始動と停止が正常であること）
 - インジケータの点灯確認（始動作業初期に全点灯すること）

操作

バッテリーパックの充電

バッテリーパックの充電方法については、バッテリー充電器の取扱説明書をご覧ください。

バッテリーパックの取り付け

必ず専用のバッテリーパックを使用してください。

Vページの図4およびVIページの図5をご覧ください。

1. バッテリートレイに異物がないことを確認します。
2. バッテリーパックを傾け、バッテリーパックの爪をバッテリーフックに挿入します。
3. バッテリーパックを上から押し付けて、バッテリーファスナーをバッテリーパックにかけます。
4. バッテリーファスナーレバーを押し上げて、バッテリーパックをロックします。
指を挟まないように注意してください。
5. パワーケーブルのバッテリーコネクタキャップを外し、パワーケーブルをバッテリーパックのバッテリーコネクタに接続します。

バッテリーパックの取り付け後、バッテリーフックとバッテリーファスナーが正しく嵌合していることを確認してください。

DCパワーユニットの始動

IVページの図3をご覧ください。







1. START/STOPスイッチのSTOPを押します。
 2. POWERボタンを押します。
すべてのランプが数秒間点灯し、その後POWERインジケータのみ点灯します。
 3. START/STOPスイッチのSTARTを押し、DCパワーユニットを始動します。
 4. 必要に応じてDCパワーユニットの回転数を調整します。
GXE2.0H：回転数調整レバーを操作します。
GXE2.0S：SPEED CHANGEボタンを押します。
- START/STOPスイッチがSTARTの位置でPOWERボタンを押すと、POWERインジケータが消灯し、ALERTインジケータが点滅します。この場合、DCパワーユニットは始動できません。START/STOPスイッチをSTOPの位置にしてからPOWERボタンを押してください。
 - POWERボタンを押してからインジケータが点灯するまでに時間がかかる場合があります。インジケータが点灯しない場合は、再度POWERボタンを押してください。
 - POWERボタンを押してから1分間操作をしないと、POWERインジケータは消灯します。DCパワーユニットを始動するときは、再度POWERボタンを押してください。
 - コントロールスイッチが作業機に取り付けられている場合は、DCパワーユニットの始動方法は作業機に付属の取扱説明書をご覧ください。


バッテリーパックの充電レベルの確認

DCパワーユニット運転中は、バッテリーパックの充電レベルインジケータが点灯または点滅し、バッテリーパックの充電レベルを確認できます。

DCパワーユニット停止中は、バッテリーパックの充電レベル確認ボタンを押すと充電レベルを確認できます。

Vページの図4をご覧ください。

インジケータの表示	充電レベル	
	高 ↓ 低	満充電まで充電されています。
		十分に充電されています。
		電池残量が少なくなっています。 充電してください。
		
		
		

■：点灯、：点滅、□：消灯

DCパワーユニットの停止

IVページの図3をご覧ください。

1. START/STOPスイッチのSTOPを押します。
DCパワーユニットが停止し、POWERインジケータが消灯します。
- POWERボタンを押してDCパワーユニットを停止することもできますが、DCパワーユニットの停止まで時間がかかる場合があります。
 - コントロールスイッチが作業機に取り付けられている場合は、DCパワーユニットの停止方法は作業機に付属の取扱説明書をご覧ください。

バッテリーパックの取り外し

1. DCパワーユニットのパワーケーブルをバッテリーパックから取り外します。
パワーケーブルを抜くときは、バッテリーコネクタを握って抜いてください。パワーケーブルを引っばって抜かないでください。
2. バッテリーファスナーを引き下げてロックを解除し、バッテリーパックを上に向けてバッテリーパックの爪をバッテリーフックから引き出してバッテリーパックを取り外します。
3. パワーケーブルにバッテリーコネクタキャップを取り付けます。

点検・整備のしかた

メンテナンスの重要性

安全でトラブルのない運用には、適切なメンテナンスが不可欠です。また、環境負荷の低減にも役立ちます。

▲ 警告

DCパワーユニットを適切に整備しなかったり、始動前に問題を是正しなかったりすると、重大な誤動作を起こす可能性があります。

誤動作の中には、重傷を負ったり死亡したりするものもあります。

本書に記載されている点検と整備の推奨事項、定期点検表に従ってください。

定期点検表

GXE2.0H

点検項目	点検時期(1)		5年ごと または 500時間 運転ごと
	作業前	点検	
外装カバー類	点検	○	
スイッチ、回転数調整レバー (装着機のみ)	点検	○	
LED (装着機のみ)	点検	○	
パワーケーブル	点検	○	
ハーネス一式	点検		○(2)(4)
バッテリーファスナー	点検	○	
	交換		○(2)
バッテリーマウントラバー	点検	○	
	交換		○(2)
バッテリーフック	点検	○	
	交換		○(2)
マウントラバー	交換		○(2)
ストッパーボルト	交換		○(2)
ストッパーラバー	交換		○(2)
水抜き穴	清掃		○(2)
回転数	点検		適宜(3)

(1)点検時期は表示の期間ごと、または運転時間ごとのどちらか早い方で実施してください。

(2)これらの項目は適切な工具と整備技術を必要としますので、お買い上げの販売店またはサービス店にお申し付けください。

(3)回転音がいつもと違う場合のみ点検を実施してください。点検についてはお買い上げの販売店またはサービス店にお申し付けください。

(4)必要なら交換してください。

GXE2.0S

点検項目	点検時期(1)		5年ごと または 250時間 運転ごと
	作業前	点検	
外装	点検	○	
スイッチ (装着機のみ)	点検	○	
LED (装着機のみ)	点検	○	
パワーケーブル	点検	○	
モーターハーネス	点検	○	
ハーネス一式	点検		○(2)(4)
バッテリーファスナー	点検	○	
	交換		○(2)
バッテリーマウントラバー	点検	○	
	交換		○(2)
バッテリーフック	点検	○	
	交換		○(2)
水抜き穴	清掃		○(2)
回転数	定格	点検	適宜(3)
	中速	点検	
	低速	点検	

(1)点検時期は表示の期間ごと、または運転時間ごとのどちらか早い方で実施してください。

(2)これらの項目は適切な工具と整備技術を必要としますので、お買い上げの販売店またはサービス店にお申し付けください。

(3)回転数は定格3600 rpm、中速3300 rpm、低速3000 rpmでそれぞれ固定の設定ですが、回転音がいつもと違う場合のみ点検を実施してください。点検についてはお買い上げの販売店またはサービス店にお申し付けください。

(4)必要なら交換してください。

運搬

- DCパワーユニットが十分に冷えていることを確認してください。
- バッテリーパックを取り外してください。
- 運搬中はDCパワーユニットが水平になるようにしてください。

お手入れ

お手入れの際は、ホースや高圧洗浄機で水をかけないでください。内部に水が浸入し、故障の原因となります。

保管

- 意図しない作動を避けるため、本機からバッテリーパックを取り外した状態で保管してください。
- DCパワーユニットを水平にして保管してください。
- 高温多湿の場所や温度変化の激しい環境には保管しないでください。また、直射日光や雨を避けてください。

廃棄

DCパワーユニットを廃棄する際は、お住まいの地方自治体の廃棄処分方法に従ってください。

故障のときは

故障のときは次の点を確認してください。

問題が解決しない場合や症状が改善しない場合は、お買い上げ販売店にご相談ください。

DCパワーユニットが始動しない

考えられる原因	解決方法
バッテリーパックが正しく取り付けられていない。	「バッテリーパックの取り付け」(2ページ)を参照してパワーケーブルとバッテリーパックの接続を確認してください。
バッテリーパックの充電が不足している。	バッテリーパックを充電してください。
バッテリーパックが故障している。	バッテリーパックを交換してください。

ALERTインジケータが点滅している

考えられる原因	解決方法
保護機能が働いている。	お買い上げ販売店にご相談ください。
DCパワーユニットの始動時、START/STOPスイッチがSTARTの位置でPOWERボタンを押している。	START/STOPスイッチをSTOPの位置にしてからPOWERボタンを押してください。
DCパワーユニットが高温になっている。 (POWERインジケータが同時に点灯)	DCパワーユニットを一度停止し、温度が下がってから再始動してください。

ERRORインジケータが点灯している

考えられる原因	解決方法
保護機能が働いている。	お買い上げ販売店にご相談ください。

主要諸元

GXE2.0H (タイプ: S3、回転数調整レバー付)

呼称	GXE2.0H
型式	GMABK
全長×全幅×全高 ^{※1}	294×418×296 mm
乾燥質量 ^{※1}	19.7 kg
冷却方式	強制空冷
連続定格出力 (工場出荷時)	1.6 kW (2.1 HP, 2.2 PS)/3,600 rpm
トルク	4.3 N·m (0.44 kgf·m)/3,600 rpm
電流	27 A
電圧	72 V
最大出力	1.8 kW (2.4 HP, 2.4 PS)/3,600 rpm
トルク	4.8 N·m (0.49 kgf·m)/3,600 rpm
電圧	72 V
設定回転数	1,800~3,600 rpm
使用温度範囲	-15~40 °C

※1 バッテリーパックを含まない

GXE2.0S (タイプ: V1)

呼称	GXE2.0S
型式	GMACK
全長×全幅×全高 ^{※1}	コントロール部： 351×299×127 mm モーター部： 216×224×194 mm
乾燥質量 ^{※1}	コントロール部： 7.1 kg モーター部： 8.7 kg
冷却方式	強制空冷
連続定格出力	1.6 kW (2.1 HP, 2.2 PS)/3,600 rpm
トルク	4.3 N·m (0.44 kgf·m)/3,600 rpm
電流	27 A
電圧	72 V
最大出力	1.8 kW (2.4 HP, 2.4 PS)/3,600 rpm
トルク	4.8 N·m (0.49 kgf·m)/3,600 rpm
電圧	72 V
設定回転数 定格	3,600 rpm
中速	3,300 rpm
低速	3,000 rpm
使用温度範囲	-15~40 °C

※1 バッテリーパックを含まない

Honda DCパワーユニット インターナショナルワランティのご案内

Honda DCパワーユニット(バッテリーパックとバッテリー充電器含む)にはHondaの保証が適用されます。
基本的な考え方は以下の通りです。

- 保証条件は、その国においてHondaが定めているDCパワーユニットの保証条件に従います。
- DCパワーユニット修理の原因が製造上、仕様上のトラブルによるものである場合に保証が適用されます。
- その国にDCパワーユニットを取り扱うHondaディストリビューターが無い場合は、保証は受けられません。

保証修理の受け方

製品購入日を証明するものと共に買い上げになったHonda DCパワーユニットもしくは、Honda DCパワーユニットが搭載されたOEM製品を、OEM製品をお買い上げになった販売店、又はその国のHonda認定の販売・サービス店へお持ち下さい。

お近くのHondaディストリビューター・サービス店情報ならびに各国における保証条件の検索は弊社のグローバルサービス情報サイト <https://www.hondapps.com/ENG/> <https://www.hondapps.com/ENG/> にアクセス頂くか、もしくは各国のHondaディストリビューターにお問合せ下さい。



保証適用外項目

以下の項目は、別途書面による取り決めがない限り、Hondaの保証の対象外とする。

1. 以下の結果によるいかなる損傷や劣化:
 - 取扱説明書に記載されている定期メンテナンスを怠った結果によるもの
 - Hondaの指定する以外の方法による修理やメンテナンスの結果によるもの
 - 取扱説明書に記載されている以外の使用方法で使用した結果によるもの
 - DCパワーユニットが搭載されているOEM製品側の原因によるもの
 - Hondaが認めていない非純正部品、アクセサリを使用した結果によるもの
 - 埃や煙、化学薬品、鳥糞、海水、潮風、塩やその他の環境要因に晒された結果によるもの
 - 衝突、放置、不正な改造もしくは悪用した結果によるもの
 - 経年劣化によるもの(塗装、塗装表面の色あせ、剥がれやその他の自然劣化)
2. 消耗部品: Hondaは使用および経年によるバッテリーパック満充電容量の低下、ならびに自然磨耗による部品の劣化については保証をしない。
3. 清掃、調整、定期メンテナンス
4. レース、競技目的での使用における損傷
5. 金融機関や保険業者により届出された盗難品や廃棄利用目的で再販されたOEM製品に搭載されたDCパワーユニット

本製品についてのお問い合わせ・ご相談は、まず、Honda 販売店にお気軽にご相談ください。

販売店

TEL

お問い合わせ、ご相談は、全国共通のフリーダイヤルで下記のお客様相談センターでもお受け致します。

本田技研工業株式会社 お客様相談センター

フリーダイヤル 0120 - 112010

イフレイオ

受付時間 9:00 ~ 12:00 13:00 ~ 17:00

〒 351-0188 埼玉県和光市本町 8 - 1

所在地、電話番号などが変更になることがありますのでご了承ください。

本製品に関してお問い合わせいただく際は、お客様へ正確、迅速にご対応させていただくために、あらかじめ、下記の事項をご確認のうえ、ご相談ください。

- (1) 製品名、タイプ名
- (2) ご購入年月日
- (3) 販売店名
- (4) シリアルナンバー _____ (書込み控え欄)

HONDA