

HONDA

GENERAL PURPOSE ENGINE

**GX390UT1
GX390UT2
GX390RT1
GX390RT2
GX390UT2X**

PARTS CATALOGUE

36

FOREWORD INDEX

1

ENGINE GROUP

2

PART NUMBER INDEX

3

PART NAME INDEX

4

Instruction for use of parts catalogue

- **This parts catalogue was prepared based on the latest information available as of April 01, 2023.**
 - See the parts catalogue news for any revision that is made after April 01, 2023.
- **Always specify the part number when ordering a part.**
 - Check the model, type, serial numbers, color, maker, and the size as needed before ordering a part.
 - Note that the illustrations (part drawings) can differ from the actual parts in shape. They are given just to help you to refer to the parts.
- **When modifications or additions to this parts catalogue are made, a revised edition will be issued at an appropriate time, with successively progressing revision numbers on the cover. We recommend obtaining such revisions in order to keep your parts catalogue up-to-date at all times. To check whether a parts catalogue revision has been issued, please contact your Honda distributor.**

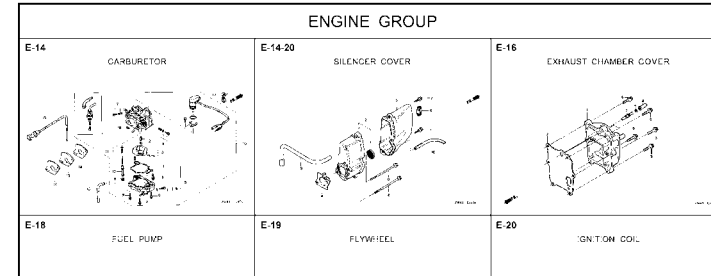
Initial version issue date June 01, 2005
Honda Motor Co., Ltd.

CONTENTS

	Page
•Instruction for use of parts catalogue	1 1
•How to refer to the part information	2
•Part catalogue structure.....	3
•When the parts were revised.....	4
•Abbreviations used in the parts catalogue.....	4
•How to check the part block and serial numbers.....	5
•Models, parts catalogue codes and applicable serial numbers.....	6
•Features of each type.....	17
•Fuel hose, general purpose hoses and vinyl hose.....	48
•Illustrated index	49
•ENGINE GROUP.....	54 2
•PART NO. INDEX.....	270 3
•PART NAME INDEX.....	276 4

How to refer to the part information

A Reference with "Illustrated index"



B Reference with "Part number index"

PART NO. INDEX				
Part Number	Page Ref.	Part Number	Page Ref.	Pi
06000		15212-ZW9-000	49 7	17583
		15220-ZW9-003	49 8	17583
06316-ZW9-000	104 1	15332-ZW9-000	74 2	17611
		15332-ZW9-A30	76 2	17611
11000		15400-PFB-004	46 5	17612
		15422-ZW9-000	49 9	17620
11300-ZW9-000	46 1	15473-881-000	49 10	17620
11300-ZW9-800	46 1	15474-ZW9-000	49 11	17624
11340-ZW9-000	46 2	15611-921-000	45 6	17650
11342-ZW9-000	46 3	15655-ZW9-000	46 6	17650
11381-ZW9-003	47 1			17660
				17661
12000		16000		
		16010-ZV4-005	55 1	17665
12000-ZW9-000ZA	46 4	16011-ZV4-005	55 2	17670
12155-ZV4-A00	48 1	16013-ZW9-003	55 3	17680
12166-ZW9-000	45 1	16016-ZW9-003	55 4	17701
12209-GB4-681	51 1	16016-ZW9-721	55 4	17701
12210-ZW9-000ZA	45 2	16023-ZW9-003	55 5	17701
12216-ZE2-300	74 1	16024-ZV4-650	55 6	17701
		16028-ZV4-650	55 7	17702

C Reference with "Part name index"

PART NAME INDEX		
Part name	Page	Ref.
[A]		
ABSORBER, FUEL	80	5
ARMATURE COMP.	62	7
ARM COMP., LINK JOINT	102	18
ARM COMP., SHIFT LINK	102	14
ARM COMP., TILT	97	20
ARM, FUEL PUMP ROCKER	51	4
ARM, REVERSE LOCK	97	18
ARM, SHIFT LINK	92	7
ARM, STOPPER	52	12
ARM, THROTTLE REMOTE	92	6
ARM, VALVE ROCKER	51	3
[B]		
BAG, TOOL, 160MM	101	10
BAND	103	37
BAND B1, WIRE	87	1
BAND, CORD	35	18
BAND, TUBE CLIP, 11MM	81	20
BAND, TUBE CLIP, 12.5MM	81	19

E-2 CYLINDER HEAD

Block No.

Ref No.

Ref. No.	Part No.	Description	Reqd. QTY						Serial No.	Parts catalogue code
			9901	9901	1001	1001	1001	1001		
1	12166-ZW9-000	STOPPER, ENGINE SIDE	2	2	2	2	2	2		
2	12210-ZW9-000ZA	HEAD COMP., CYLINDER	1	1	1	1	1	1		
3	12251-ZW9-003	GASKET, CYLINDER HEAD	1	1	1	1	1	1		
4	12310-ZW9-000	COVER COMP., HEAD	1	1	1	1	1	1		
5	12312-ZW9-000	PACKING, HEAD COVER	1	1	1	1	1	1		
6	15611-921-000	CAP, OIL (NO GAUGE)	1	1	1	1	1	1		
7	16617-ZW9-000	HOLDER, CABLE	1	1	1	1	1	1		SC,SG
	16617-ZW9-010		1	1	1	1	1	1	1001801	LHC,LHD
8	35673-ZW5-003	SENSOR ASSY., WATER	1	1	1	1	1	1		
9	90003-ZW9-000	BOLT, FLANGE, 6X22	6	4	4	4	4	4		
10	90007-ZW9-003	BOLT, FLANGE, 8X83	6	6	6	6	6	6		
11	90011-ZW9-000	BOLT, FLANGE, 6X14 (CT200)	1	1	1	1	1	1		
12	90020-ZW9-000	BOLT, FLANGE, 8X40	2	2	2	2	2	2		
13	91202-KJ9-003	OIL SEAL, 20X32X6	1	1	1	1	1	1		
14	91301-805-000	O-RING, 26X2.7	1	1	1	1	1	1		
15	91307-PK2-005	O-RING, 9.5X1.5 (HONDA KIKAKI)	1	1	1	1	1	1		
16	98059-55916	PLUG, SPARK (CR5EH-9)	2	2	2	2	2	2		
	98059-55926	PLUG, SPARK (U16FER9)	2	2	2	2	2	2		

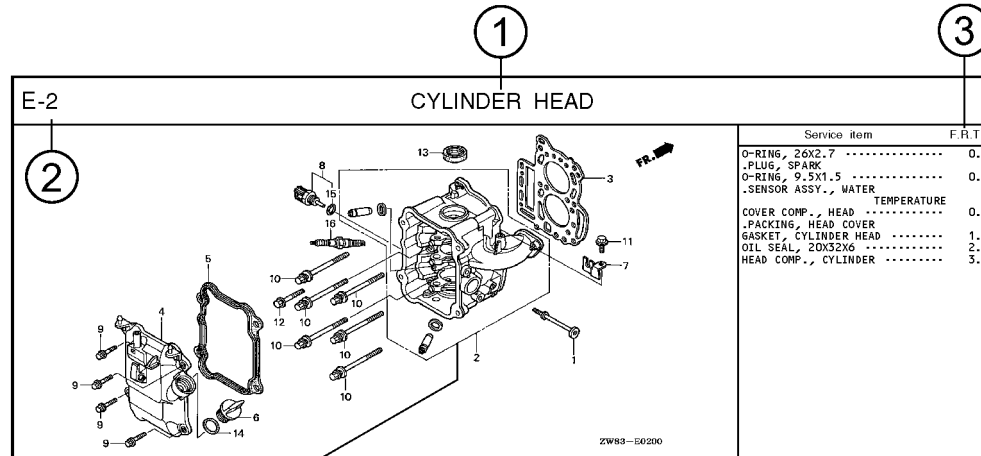
Page No.

2000.09.20 E

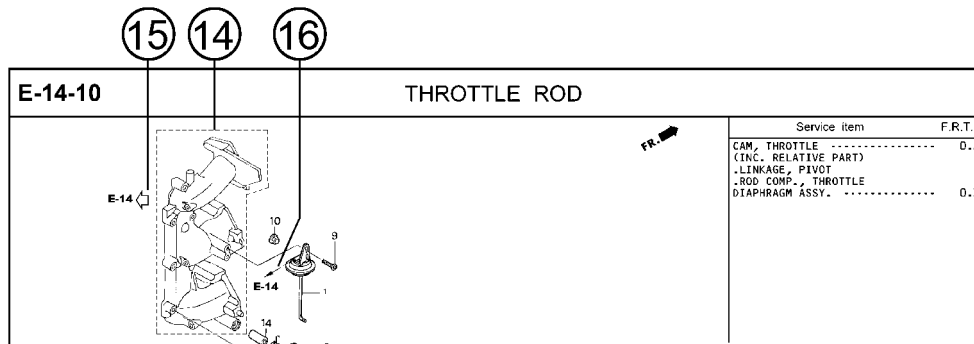
2023.04.01

E

Part catalogue structure



Ref. No.	Part No.	Description	Reqd. QTY						Serial No.	Parts catalogue code
			BF 9.9D1	BFP 9.9D1	BF 10D1	BFP 10D1	BF 10B1	BFP 10B1		
1	12166-zw9-000	STOPPER, ENGINE SIDE	2	2	2	2	2			
2	12210-zw9-000ZA	HEAD COMP., CYLINDER *NH8*.....DARK GRAY	1	1	1	1	1			
3	12251-zw9-003	GASKET, CYLINDER HEAD	1	1	1	1	1			
4	12310-zw9-000	COVER COMP., HEAD	1	1	1	1	1			
5	12312-zw9-000	PACKING, HEAD COVER	1	1	1	1	1			
6	15611-921-000	CAP, OIL (NO GAUGE)	1	1	1	1	1			
7	16617-zw9-000	HOLDER, CABLE	1	1	1	1	1	SC,SG		
	16617-zw9-010		1	1	1	1	1	1001800 LHC,LHD		



① Block title ② Block number

③ Service item/Flat rate time

④ Reference number

- Title number marked with the parenthesis or parentheses indicates that it continues from the previous page.

⑤ Part number ⑥ Honda color code

⑦ Description

⑧ Assemblies

- Sections framed with broken lines in the exploded view drawings are available as complete assemblies. (Their individual parts can also be obtained.)

⑨ Color description

⑩ Note

- Notes are shown with the parentheses in the part name column.

⑪ Required quantity

- Required QTY shown in the parenthesis or parentheses indicates the optional part.
- Required QTY marked with "N" Indicates the optional part that should be selected as needed.
- Required QTY indicates the number of the part used in the block.

⑫ Serial number

⑬ Type

- When the type column is blank, it indicates that the part is applicable to all types.
- As the type of the actual unit may differ from the "parts catalogue, type" please refer to "Models, types and applicable serial numbers" for confirmation.

⑭

- Parts enclosed within a dotted line are covered in a different block.

⑮

- A hollow arrow indicates the block No. for the parts enclosed within a dotted line .

⑯

- A solid arrow indicates the block No. the part in question is connected to.

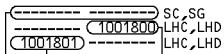
When the parts were revised



Be sure to check the serial number!!



Ref. No.	Part No.	Description	Reqd. QTY						Serial No.
			BF 99D1	BFP 9.9D1	BF 10D1	BFP 10D1	BF 10B1	BFP 10B1	
1	12166-ZW9-000	STOPPER, ENGINE SIDE	2	2	2	2	2	2	
2	12210-ZW9-000ZA	HEAD COMP., CYLINDER *NH8*.....DARK GRAY	1	1	1	1	1	1	
3	12251-ZW9-003	GASKET, CYLINDER HEAD	1	1	1	1	1	1	
4	12310-ZW9-000	COVER COMP., HEAD	1	1	1	1	1	1	
5	12312-ZW9-000	PACKING, HEAD COVER	1	1	1	1	1	1	
6	15611-921-000	CAP, OIL (NO GAUGE)	1	1	1	1	1	1	
7	16617-ZW9-000	HOLDER, CABLE (###).....	1	1	1	1	1	1	
	16617-ZW9-010	1	1	1	1	1	1	



The number has been used from the initial model without revision. When shown at the left side, it is applicable to the models of No.1001801 and the subsequent numbers. When shown at the right side, it is applicable to the models up to No.1001800.

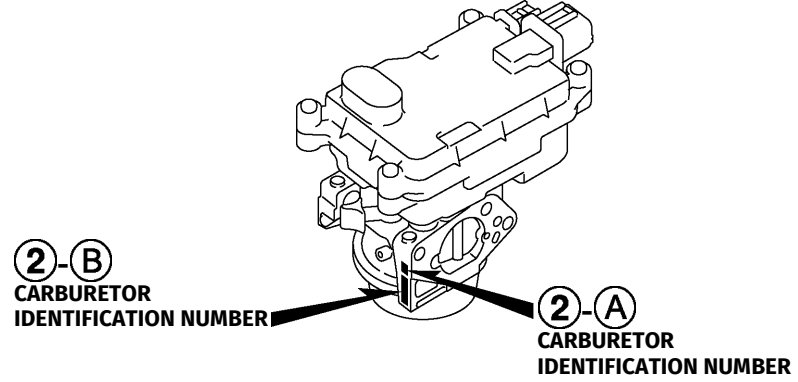
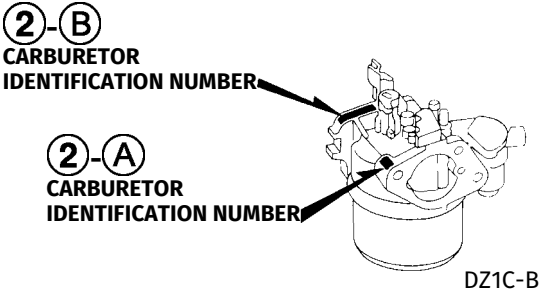
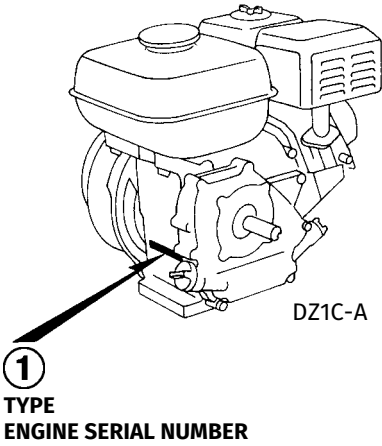
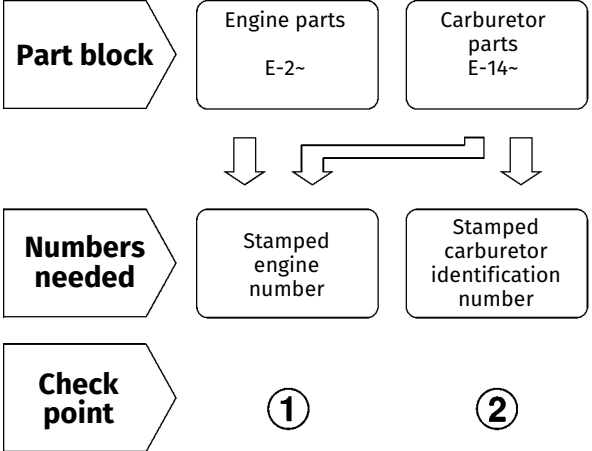
• The parts listed with "###" at the end of the parts name have limited supply period (parts not for sale).

Abbreviations used in the parts catalogue

• The following abbreviations are used in the parts name column.

- AAmpere
- A.C.Alternating current
- ASSY.Assembly
- AT.Automatic transmission
- C.D.I.Capacitive discharge ignition
- COMP.Complete
- D.C.Direct current
- EX.Exhaust
- G.F.C.IGround fault circuit interruptor
- HEX.Hexagonal
- H.S.T.Hydrostatic transmission
- FR.Front
- IN.Inlet
- L (100L) ... Link (100 Links)
- L.Left
- MMMillimeter
- MT.Manual Transmission
- P.T.O.Power take off
- R.Right
- RR.Rear
- STD.Standard
- T (22T) Tooth (22 Teeth)
- VVolt
- WWatt

How to check the part block and serial numbers



Models, parts catalogue codes and applicable serial numbers

- Models, parts catalogue codes and applicable serial Nos. given in this parts catalogue can be identified as follows.

Model	Type	Parts catalogue type	Applicable engine serial No.	Applicable carburetor identification No.	Model	Type	Parts catalogue type	Applicable engine serial No.	Applicable carburetor identification No.
GX390UT1	HA2	HA2	GCAKT-1000001~9999999	BE85Q A	GX390UT1	QAE2	QAE2	GCAKT-1000001~9999999	BE85Q A
	LKE	LKE				QAE4	QAE4		
	LX2	LX2				QAE6	QAE6		
	LXE4	LXE4				QAW	QAW		
	LXE8	LXE8				QC2	QC2		
	LXQ4	LXQ4				QDW9	QDW9		
	LXU	LXU				QE	QE		
	PA2	PA2				QHB4	QHB4		
	PAE2	PAE2				QK4	QK4		
	PXD8	PXD8				QKA4	QKA4		
	PXE8	PXE8				QME0	QME0		
	PXU	PXU				QME2	QME2		
	QA2	QA2				QNE2	QNE2		
	QA26	QA26				QNE6	QNE6		
	QA4	QA4				QNE8	QNE8		
QAA2	QAA2	QNR2	QNR2						
QAA6	QAA6	QNR6	QNR6						
									BE85Q A
									BE94B A
									BE85C B
									BE85Q A

Model	Type	Parts catalogue type	Applicable engine serial No.	Applicable carburetor identification No.
GX390UT1	QTT	QTT	GCAKT-1000001~9999999	BE85Q A
	QWA4	QWA4		BE85C B
	QWC4	QWC4		BE94B A
	QWT2	QWT2		BE85C B
	QXB7	QXB7		BE85Q A
	QXB9	QXB9		
	QXC4	QXC4		BE94A A
	QXC6	QXC6		BE94B A
	QXC9	QXC9		BE85C B
	QXCU	QXCU		
	QXE4	QXE4		BE85Q A
	QXE6	QXE6		
	QXE7	QXE7		
	QXE8	QXE8		
	QXE9	QXE9		
	QXER	QXER		
	QXH9	QXH9		
	QXQ4	QXQ4		
QXS2	QXS2	BE94B A		

Model	Type	Parts catalogue type	Applicable engine serial No.	Applicable carburetor identification No.
GX390UT1	QXS4	QXS4	GCAKT-1000001~9999999	BE94B A
	QXU	QXU		BE85Q A
	QXUZ	QXUZ		
	SCK4	SCK4		
	SHQ2	SHQ2		
	SHQ4	SHQ4		
	SM32	SM32		
	SMC1	SMC1		
	SMC2	SMC2		
	SMD3	SMD3		BE85Z A
	SME0	SME0		BE85Q A
	SME6	SME6		
	SNC	SNC		BE94A A
	STC4	STC4		BE85Q A
	SWA2	SWA2		
	SWA4	SWA4		
	SXB7	SXB7		
	SXB9	SXB9		
SXE4	SXE4			



Model	Type	Parts catalogue type	Applicable engine serial No.	Applicable carburetor identification No.	Model	Type	Parts catalogue type	Applicable engine serial No.	Applicable carburetor identification No.
GX390UT1	SXE8	SXE8	GCAKT-1000001~9999999	BE85Q A	GX390UT1	VXE7	VXE7	GCAKT-1000001~9999999	BE85L A
	SXQ4	SXQ4				VXE8	VXE8		
	SXU	SXU				VXE9	VXE9		
	VA2	VA2		VXG		VXG			
	VC2N	VC2N		VXQ4		VXQ4			
	VKX4	VKX4		HA2	HA2	GCBCT-1000001~	BE88A A BEC0A A		
	VM2	VM2			LFU	LFU	GCBCT-3000001~3485996	BEC1C A	
	VN27	VN27		GX390UT2	LKE	LKE	GCBCT-1000001~3485996	BE88A A BEC0A A	
	VNG1	VNG1			LX2	LX2			
	VPX2	VPX2			LXE4	LXE4			
	VPX4	VPX4			LXE5	LXE5			
	VPX9	VPX9			LXE8	LXE8			
	VSD7	VSD7			LXQ4	LXQ4			
	VSD9	VSD9			LXU	LXU			
	VX8	VX8			PA2	PA2			
	VXB7	VXB7			PAE2	PAE2			GCBCT-1000001~
	VXB9	VXB9			PKT	PKT			GCBCT-1000001~3485996
VXE2	VXE2	PXD8	PXD8						
VXE6	VXE6	PXE8	PXE8						

Model	Type	Parts catalogue type	Applicable engine serial No.	Applicable carburetor identification No.
GX390UT2	PXU	PXU	GCBCT-1000001~3485996	BE88A A BECO A
	QA2	QA2	GCBCT-1000001~	
	QA26	QA26	GCBCT-1000001~9999999	BE88A A
	QA4	QA4	GCBCT-1000001~3485996	BE88A A BECO A
	QAA2	QAA2	GCBCT-1000001~	
	QAA6	QAA6	GCBCT-1000001~9999999	BE88A A
	QAE2	QAE2	GCBCT-1000001~	BE88A A BECO A
	QAE4	QAE4	GCBCT-1000001~9999999	BE88A A
	QAE6	QAE6		
	QC1	QC1	GCBCT-1000001~3485996	BE94J A BECOD A
	QC2	QC2	GCBCT-1000001~9999999	BE94F A
	QC3	QC3	GCBCT-1000001~3485996	BE94J A BECOD A
	QC4	QC4	GCBCT-1000001~9999999	
	QC5	QC5	GCBCT-1000001~3485996	
	QC6	QC6		
	QC9	QC9	GCBCT-1000001~	
	QCDW	QCDW		
	QCE2	QCE2	GCBCT-1000001~3485996	BE88A A BECO A
QCWT	QCWT			

Model	Type	Parts catalogue type	Applicable engine serial No.	Applicable carburetor identification No.
GX390UT2	QDW9	QDW9	GCBCT-1000001~9999999	BE94F A
	QE	QE	GCBCT-1000001~3485996	BE88A A BECO A
	QHB4	QHB4		
	QK4	QK4		
	QKA4	QKA4		
	QMAH	QMAH		
	QME0	QME0		
	QNE2	QNE2	GCBCT-1000001~	BE88A A
	QNE8	QNE8	GCBCT-1000001~9999999	
	QNR2	QNR2	GCBCT-1000001~	BE88A A BECO A
	QNR6	QNR6	GCBCT-1000001~9999999	BE88A A
	QNRV	QNRV	GCBCT-3000001~3485996	BECO A
	QWA4	QWA4	GCBCT-1000001~9999999	BE94F A
	QWC	QWC	GCBCT-1000001~3485996	BE88A A BECO A
	QWC4	QWC4	GCBCT-1000001~9999999	BE94F A
	QWT2	QWT2		
	QXAC	QXAC	GCBCT-1000001~3485996	BE88A A BECO A
	QXB7	QXB7		
QXB9	QXB9			



Model	Type	Parts catalogue type	Applicable engine serial No.	Applicable carburetor identification No.	Model	Type	Parts catalogue type	Applicable engine serial No.	Applicable carburetor identification No.
GX390UT2	QXC4	QXC4	GCBCT-1000001~9999999	BE94E A	GX390UT2	QZA2	QZA2	GCBCT-1000001~3485996	BE92B A BE92G A BEC2A A
	QXC6	QXC6		BE94F A		QZAV	QZAV		
	QXC9	QXC9				GCBCT-1000001~9999999	QZC	QZC	BE92G A
	QXCU	QXCU		GCBCT-1000001~3485996			QZD	QZD	BE92G A BEC2A A
	QXE4	QXE4	GCBCT-1000001~			QZDS	QZDS	GCBCT-1000001~9999999	BE92G A
	QXE6	QXE6	GCBCT-1000001~3485996	BE88A A BEC0A A		QZHW	QZHW	GCBCT-1000001~3485996	BE92G A BEC2A A BEC2B A
	QXE7	QXE7				QZME	QZME	GCBCT-1000001~9999999	BE92G A BEC2A A
	QXE8	QXE8				QZN2	QZN2	GCBCT-1000001~	BE92B A BE92G A BEC2A A
	QXE9	QXE9				QZND	QZND	GCBCT-1000001~9999999	BE92G A BEC2A A
	QXEM	QXEM				QZNH	QZNH		BE92B A
	QXER	QXER				GCBCT-1000001~	BE88A A BEC0A A	QZNR	QZNR
	QXQ4	QXQ4	QZRL	QZRL				BE92G A BEC2A A	
	QXS4	QXS4	GCBCT-1000001~9999999	BE94F A		QZRV	QZRV	GCBCT-1000001~9999999	BE92G A
	QXU	QXU	GCBCT-1000001~3485996	BE88A A BEC0A A		QZX9	QZX9	GCBCT-1000001~3485996	BE92B A BE92G A
	QXUM	QXUM				QZXR	QZXR		BE92B A BE92G A BEC2A A
	QXUZ	QXUZ	GCBCT-1000001~	BE88A A BEC0A A		SC1	SC1	GCBCT-1000001~3485996	BE94J A BEC0D A



Model	Type	Parts catalogue type	Applicable engine serial No.	Applicable carburetor identification No.
GX390UT2	SCC	SCC	GCBCT-1000001~3485996	BE94J A BECOD A
	SCK4	SCK4		BE88A A BECO A A
	SCM	SCM		BE94J A BECOD A
	SCM1	SCM1		
	SCM2	SCM2	GCBCT-1000001~9999999	BECOD A
	SCM3	SCM3	GCBCT-3000001~3485996	
	SHQ4	SHQ4	GCBCT-1000001~3485996	BE88A A BECO A A
	SHQ5	SHQ5		
	SHQ6	SHQ6		
	SM32	SM32		
	SMC1	SMC1		
	SMD3	SMD3		
	SME0	SME0	GCBCT-1000001~9999999	BE88J A BECO A A
	SME6	SME6		BE88A A BECO A A
	SMSC	SMSC	GCBCT-1000001~9999999	BE94F A
	SMX2	SMX2	GCBCT-1000001~3485996	BE88A A BECO A A
	SMXC	SMXC	GCBCT-1000001~9999999	BE94F A
	SNC	SNC	GCBCT-1000001~3485996	BE94E A
	STC4	STC4		BE88A A BECO A A

Model	Type	Parts catalogue type	Applicable engine serial No.	Applicable carburetor identification No.
GX390UT2	SWA4	SWA4	GCBCT-1000001~3485996	BE88A A BECO A A
	SXB7	SXB7		
	SXBG	SXBG	GCBCT-3000001~3485996	BECO A A
	SXE4	SXE4	GCBCT-1000001~3485996	BE88A A BECO A A
	SXE8	SXE8	GCBCT-1000001~9999999	
	SXEM	SXEM	GCBCT-1000001~3485996	
	SXQ4	SXQ4	GCBCT-1000001~	
	SXU	SXU	GCBCT-1000001~9999999	
	SZEC	SZEC		BE92G A
	VA2	VA2		BE88F A
	VM2	VM2	GCBCT-1000001~3485996	BE88F A BECO A A
	VN27	VN27		
	VSB9	VSB9	GCBCT-3000001~3485996	BECO A A
	VSD7	VSD7	GCBCT-1000001~9999999	BE88F A
	VSD9	VSD9	GCBCT-1000001~3485996	BE88F A BECO A A
	VX8	VX8		
	VXB7	VXB7		
	VXB9	VXB9		
	VXE2	VXE2		

Model	Type	Parts catalogue type	Applicable engine serial No.	Applicable carburetor identification No.	Model	Type	Parts catalogue type	Applicable engine serial No.	Applicable carburetor identification No.	
GX390UT2	VXE7	VXE7	GCBCT-1000001~3485996	BE88F A BEC0A A	GX390RT1	VK2	VK2	GCAKT-1000001~9999999	BE85L A	
	VXE8	VXE8				VKB2	VKB2			BE89T A
	VXE9	VXE9				VKE4	VKE4			
	VXQ4	VXQ4	GCBCT-1000001~2999999	BE88F A		VKX4	VKX4			BE89E B
	VZS9	VZS9	GCBCT-1000001~9999999	BE92G A BEC2A A		VNG1	VNG1			BE85L A
	VZX7	VZX7	GCBCT-1000001~3485996	BE92B A BE92G A BEC2A A		VPE5	VPE5			BE89U A
	VZX8	VZX8				VPE9	VPE9			
GX390RT1	QNB2	QNB2	GCAKT-1000001~9999999	BE85Q A		VPX4	VPX4			BE89F B
	QTT	QTT				VPX9	VPX9			
	QWA2	QWA2				VS49	VS49			
	VAA1	VAA1		VSD4		VSD4				
	VAA8	VAA8		BE89S A		VTH4	VTH4			BE89S A
	VAC2	VAC2		BE85L A		VWC	VWC			BE89R A
	VAG2	VAG2		BE89U A		VWC9	VWC9			BE85L A
	VC2	VC2		BE85L A	VWE	VWE	BE89R A			
	VCN2	VCN2			VWT4	VWT4	BE85Z A			
	VD2	VD2			VXG	VXG	BE89F B			
	VDE2	VDE2		BE89R A	GX390RT2	ED6	ED6	GCBCT-1000001~9999999	BE84B A/B/C	
	VEP9	VEP9				EDD2	EDD2		BE84B A/B	

Model	Type	Parts catalogue type	Applicable engine serial No.	Applicable carburetor identification No.
GX390RT2	EDS6	EDS6	GCBCT-1000001~	BE84B A/B/C BEC1C A
	EDT6	EDT6		
	EZD2	EZD2	GCBCT- 1000001~9999999	BE79A B BEC5A A
	EZDM	EZDM		
	EZDS	EZDS		
	EZDV	EZDV		
	PXM8	PXM8	GCBCT-1000001~	BE88A A BE88T A/B
	QAGN	QAGN	GCBCT-3000001~	BE88T B
	QNB2	QNB2	GCBCT-1000001~	BE88A A BE88T A/B
	QNGN	QNGN		BE88A A BE88T B BEC0A A
	QTT	QTT		BE88A A BE88T A/B
	QWA2	QWA2	GCBCT- 1000001~9999999	BE88A A BE88T A
	SDQ5	SDQ5	GCBCT-1000001~	BE88A A BE88T A/B
	SMES	SMES	GCBCT-3000001~	BE88T B
	SXS6	SXS6		BEC1C A
	VAA1	VAA1	GCBCT- 1000001~9999999	BE95B A
	VAG2	VAG2		BE88F A
	VC2	VC2	GCBCT-1000001~	BE84D A/B/C/D BEC1A A
VCF	VCF	GCBCT-3000001~	BEC1A A	

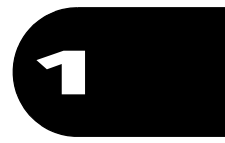
Model	Type	Parts catalogue type	Applicable engine serial No.	Applicable carburetor identification No.
GX390RT2	VCT	VCT	GCBCT-1000001~	BE84D A/B/C/D BEC1A A
	VCT2	VCT2		
	VDE2	VDE2		
	VEP9	VEP9	GCBCT- 1000001~9999999	BE88F A BE88T B BE84B A/B/C BEC1C A
	VK2	VK2		BE88F A
	VKB2	VKB2	GCBCT-1000001~	BE84C A/B/C BEC1B A
	VKE4	VKE4		
	VKER	VKER	GCBCT- 1000001~9999999	BE84C A/B/C BEC1B A
	VKX4	VKX4	GCBCT-1000001~	
	VKXR	VKXR	GCBCT- 1000001~9999999	
	VPE5	VPE5	GCBCT-1000001~	BE84D A/B
	VPE9	VPE9		BE84D A/B/C/D BEC1A A
	VPP9	VPP9	GCBCT-1000001~	BE84D C/D BEC1A A
	VPX4	VPX4		GCBCT- 1000001~9999999
	VPX9	VPX9	GCBCT-1000001~	BE84D A/B/C/D BEC1A A
	VSD4	VSD4		BE84C A/B/C BEC1B A
	VWC	VWC		BE84B A/B/C BEC1C A
	VWC9	VWC9	GCBCT- 1000001~9999999	BE88F A BE88T B
VVE	VVE	GCBCT-1000001~	BE84B A/B/C BEC1C A	



Model	Type	Parts catalogue type	Applicable engine serial No.	Applicable carburetor identification No.	Model	Type	Parts catalogue type	Applicable engine serial No.	Applicable carburetor identification No.
GX390RT2	VWS	VWS	GCBCT-1000001~9999999	BE84B A/B	GX390UT2X	PA2	PA2	GCBCT-3485997~	BEC0A A
	VWS1	VWS1	GCBCT-1000001~	BE84B B/C BEC1C A		PAE2	PAE2	GCBCT-3000001~	
	VWT4	VWT4		BE88J A BE88T B BE88V A		PKT	PKT	GCBCT-3485997~	
	VXF	VXF		GCBCT-3000001~		PXD8	PXD8		
	VXG	VXG	GCBCT-1000001~9999999	BE84D A/B/C/D BEC1A A		PXE8	PXE8		
	VXT	VXT	GCBCT-3000001~	BEC1A A		PXU	PXU		
	VZC2	VZC2	GCBCT-1000001~9999999	BE79A B BE96B A		QA2	QA2	GCBCT-3000001~	
	VZP9	VZP9				QA4	QA4	GCBCT-3485997~	
	VZWE	VZWE		BE79A B		QAA2	QAA2	GCBCT-3000001~	
	VZXZ	VZXZ	GCBCT-1000001~	BE79A B/C BEC5A A		QAE2	QAE2		
GX390UT2X	HA2	HA2	GCBCT-3000001~	BEC0A A	QC1	QC1	GCBCT-3485997~	BEC0D A	
	LFU	LFU	GCBCT-3485997~	BEC1C A	QC3	QC3			
	LKE	LKE		BEC0A A	QC5	QC5			
	LX2	LX2			QC6	QC6			
	LXE4	LXE4			QC9	QC9	GCBCT-3000001~		
	LXE5	LXE5			QCDW	QCDW			
	LXE8	LXE8			QCE2	QCE2	GCBCT-3485997~		
	LXQ4	LXQ4			QCWT	QCWT			
	LXU	LXU			QE	QE			BEC0A A

Model	Type	Parts catalogue type	Applicable engine serial No.	Applicable carburetor identification No.
GX390UT2X	QHB4	QHB4	GCBCT-3485997~	BEC0A A
	QK4	QK4		
	QKA4	QKA4		
	QMAH	QMAH		
	QME0	QME0		
	QNE2	QNE2	GCBCT-3000001~	
	QNR2	QNR2		
	QNRV	QNRV	GCBCT-3485997~	
	QWC	QWC		
	QXAC	QXAC		
	QXB7	QXB7	GCBCT-3000001~	
	QXB9	QXB9		
	QXE4	QXE4	GCBCT-3485997~	
	QXE6	QXE6		
	QXE7	QXE7		
	QXE8	QXE8		
	QXE9	QXE9		
	QXEM	QXEM		
QXER	QXER			

Model	Type	Parts catalogue type	Applicable engine serial No.	Applicable carburetor identification No.	
GX390UT2X	QXQ4	QXQ4	GCBCT-3000001~	BEC0A A	
	QXU	QXU	GCBCT-3485997~		
	QXUM	QXUM			
	QXUZ	QXUZ	GCBCT-3000001~	BEC2A A	
	QZA2	QZA2			
	QZAV	QZAV	GCBCT-3485997~		
	QZD	QZD			
	QZHW	QZHW	GCBCT-3000001~	BEC2B A	
	QZN2	QZN2		GCBCT-3485997~	BEC2A A
	QZNR	QZNR			
	QZRL	QZRL			
	QZXR	QZXR	GCBCT-3485997~9999999	BEC0D A	
	SC1	SC1	GCBCT-3485997~		
	SCC	SCC			
	SCK4	SCK4		BEC0A A	
	SCM	SCM	GCBCT-3000001~	BEC0D A	
	SCM1	SCM1			
	SCM3	SCM3			
SCMV	SCMV				



Model	Type	Parts catalogue type	Applicable engine serial No.	Applicable carburetor identification No.	Model	Type	Parts catalogue type	Applicable engine serial No.	Applicable carburetor identification No.
GX390UT2X	SE1C	SE1C	GCBCT-3000001~	BEC0D A	GX390UT2X	SXE4	SXE4	GCBCT-3485997~	BEC0A A
	SE2C	SE2C				SXEM	SXEM		
	SHQ4	SHQ4	GCBCT-3485997~	BEC0A A		SXQ4	SXQ4	GCBCT-3000001~	
	SHQ5	SHQ5				VN27	VN27		
	SHQ6	SHQ6				VSB9	VSB9		
	SM32	SM32				VSD9	VSD9		
	SMC1	SMC1				VX8	VX8		
	SMD3	SMD3				VXB7	VXB7		
	SME0	SME0				VXB9	VXB9		
	SME6	SME6				VXE2	VXE2		
	SMX2	SMX2				VXE7	VXE7		
	STC4	STC4				VXE8	VXE8		
	SWA4	SWA4				VXE9	VXE9		
	SXB7	SXB7				VZX7	VZX7		
SXBG	SXBG	VZX8			VZX8				
				BEC2A A					

* Of carburetor identification numbers, only the portions underlined in the example below are used for registration.

BE 85Q A KC ナ
 (A) (B)

Features of each type

• See the following table for the features of each type. (Items in brackets are optional)

Specifications		Model	GX390UT1												
		Type	HA2	LKE	LX2	LXE4	LXE8	LXQ4	LXU	PA2	PAE2	PXD8	PXE8	PXU	QA2
Crankshaft	20mmØ Spline	●													
	30mmØ Spline		●	●	●	●	●	●							
	25mmØ Straight														
	25.4mmØ Straight														●
	1" Thread									●	●	●	●	●	
	3/16 Tapered														
	1/5 Tapered														
Air cleaner	Silent	●	●	●	●	●	●	●	●	●	●	●	●	●	●
	Cyclone														
	Generator														
Muffler	Silent	●	●	●	●	●	●	●	●	●	●	●	●	●	●
	Standard														
	Generator														
Coil	Charge coil		●		●	●					●	●	●		
	Lamp coil														
Muffler cover			(●)		(●)		(●)								
Spark arrester		●	(●)	(●)	(●)	(●)	(●)	(●)	(●)	(●)	●	●	(●)	(●)	●
Starter motor			●		●	●					●	●	●		
Control box			●		●	●					●	●	●		
Reduction		●	●	●	●	●	●	●							

Specifications		Model	GX390UT1											
		Type	QA26	QA4	QAA2	QAA6	QAE2	QAE4	QAE6	QAW	QC2	QDW9	QE	QHB4
Crankshaft	20mmØ Spline													
	30mmØ Spline													
	25mmØ Straight													
	25.4mmØ Straight	●	●	●	●	●	●	●	●	●	●	●	●	●
	1" Thread													
	3/16 Tapered													
	1/5 Tapered													
Air cleaner	Silent	●	●	●	●	●	●	●	●			●	●	●
	Cyclone									●	●			
	Generator													
Muffler	Silent	●	●	●	●	●	●	●	●	●	●	●	●	●
	Standard													
	Generator													
Coil	Charge coil					●	●	●		●				
	Lamp coil													
Muffler cover												(●)	(●)	(●)
Spark arrester		●	●	(●)	(●)	●	●	●	●	●	●	●	●	●
Starter motor						●	●	●		●				
Control box						●	●	●						
Reduction														

Specifications		Model	GX390UT1											
		Type	QKA4	QME0	QME2	QNE2	QNE6	QNE8	QNR2	QNR6	QTT	QWA4	QWC4	QWT2
Crankshaft	20mmØ Spline													
	30mmØ Spline													
	25mmØ Straight													
	25.4mmØ Straight	●	●	●	●	●	●	●	●	●	●	●	●	●
	1" Thread													
	3/16 Tapered													
	1/5 Tapered													
Air cleaner	Silent	●	●	●	●	●	●	●	●	●				●
	Cyclone										●	●	●	
	Generator													
Muffler	Silent	●	●	●	●	●	●	●	●	●	●	●	●	●
	Standard													
	Generator													
Coil	Charge coil	●	●	●	●	●	●	●	●			●		
	Lamp coil													
Muffler cover		(●)	(●)	(●)							(●)	(●)		(●)
Spark arrester		●	(●)	(●)	(●)	(●)	(●)	(●)	(●)	(●)	●	●	(●)	●
Starter motor		●	●	●	●	●	●	●	●					
Control box		●	●	●	●	●	●	●	●					
Reduction														

Specifications		Model	GX390UT1												
		Type	QXB9	QXC4	QXC6	QXC9	QXCU	QXE4	QXE6	QXE7	QXE8	QXE9	QXER	QXH9	QXQ4
Crankshaft	20mmØ Spline														
	30mmØ Spline														
	25mmØ Straight														
	25.4mmØ Straight	●	●	●	●	●	●	●	●	●	●	●	●	●	●
	1" Thread														
	3/16 Tapered														
	1/5 Tapered														
Air cleaner	Silent	●					●	●	●	●	●	●	●	●	●
	Cyclone		●	●	●	●									
	Generator														
Muffler	Silent	●		●	●	●	●	●	●	●	●	●	●	●	●
	Standard		●												
	Generator														
Coil	Charge coil						●	●	●	●	●	●	●		
	Lamp coil														
Muffler cover		(●)	(●)				(●)		(●)		(●)		(●)	(●)	
Spark arrester		●	(●)	(●)	(●)	(●)	(●)	(●)	●	(●)	●	(●)	●	(●)	
Starter motor							●	●	●	●	●	●	●		
Control box							●	●	●	●	●	●	●		
Reduction															

Specifications		Model	GX390UT1												
		Type	QXS2	QXS4	QXU	QXUZ	SCK4	SHQ2	SHQ4	SM32	SMC1	SMC2	SMD3	SME0	SME6
Crankshaft	20mmØ Spline														
	30mmØ Spline														
	25mmØ Straight					●	●	●	●	●	●	●	●	●	
	25.4mmØ Straight	●	●	●	●										
	1" Thread														
	3/16 Tapered														
	1/5 Tapered														
Air cleaner	Silent			●	●	●	●	●	●	●	●	●	●	●	
	Cyclone	●	●												
	Generator														
Muffler	Silent			●	●	●	●	●	●	●	●		●	●	
	Standard	●	●									●			
	Generator														
Coil	Charge coil					●			●				●	●	
	Lamp coil									●	●				
Muffler cover						(●)	(●)	(●)		(●)	(●)	(●)	(●)	(●)	
Spark arrester		(●)	(●)	(●)	(●)	●	(●)	(●)	(●)	●	●	●	(●)	(●)	
Starter motor						●			●				●		
Control box						●			●				●		
Reduction															

Specifications		Model	GX390UT1												
		Type	SNC	STC4	SWA2	SWA4	SXB7	SXB9	SXE4	SXE8	SXQ4	SXU	VA2	VC2N	VKX4
Crankshaft	20mmØ Spline														
	30mmØ Spline														
	25mmØ Straight	●	●	●	●	●	●	●	●	●	●				
	25.4mmØ Straight														
	1" Thread														
	3/16 Tapered												●	●	●
	1/5 Tapered														
Air cleaner	Silent		●	●	●	●	●	●	●	●	●	●			
	Cyclone	●													
	Generator												●	●	
Muffler	Silent		●	●	●	●	●	●	●	●	●	●			
	Standard	●													
	Generator														●
Coil	Charge coil		●					●	●				●		
	Lamp coil														
Muffler cover		(●)	(●)	(●)	(●)	(●)	(●)	(●)		(●)					
Spark arrester		●	●	●	●	●	●	(●)	(●)	(●)	(●)	●	(●)	●	
Starter motor			●					●	●				●		
Control box			●					●	●				●		
Reduction															

Specifications		Model	GX390UT1											
		Type	VM2	VN27	VNG1	VPX2	VPX4	VPX9	VSD7	VSD9	VX8	VXB7	VXB9	VXE2
Crankshaft	20mmØ Spline													
	30mmØ Spline													
	25mmØ Straight													
	25.4mmØ Straight													
	1" Thread													
	3/16 Tapered	●	●	●	●	●	●	●	●	●	●	●	●	●
	1/5 Tapered													
Air cleaner	Silent	●	●	●				●	●	●	●	●	●	●
	Cyclone													
	Generator				●	●	●							
Muffler	Silent	●	●	●	●	●		●	●	●	●	●	●	●
	Standard													
	Generator													
Coil	Charge coil		●										●	●
	Lamp coil	●												
Muffler cover			(●)	(●)	(●)	(●)		(●)	(●)		(●)	(●)		
Spark arrester		●	●	●	●	●	●	●	●	(●)	●	●	(●)	(●)
Starter motor			●										●	●
Control box			●										●	●
Reduction														

Specifications		Model	GX390UT1					GX390UT2						
		Type	VXE7	VXE8	VXE9	VXG	VXQ4	HA2	LFU	LKE	LX2	LXE4	LXE5	LXE8
Crankshaft	20mmØ Spline						●							
	30mmØ Spline							●	●	●	●	●	●	●
	25mmØ Straight													
	25.4mmØ Straight													
	1" Thread													
	3/16 Tapered	●	●	●	●	●								
	1/5 Tapered													
Air cleaner	Silent	●	●	●		●	●		●	●	●	●	●	●
	Cyclone													
	Generator				●			●						
Muffler	Silent	●	●	●		●	●	●	●	●	●	●	●	●
	Standard													
	Generator													
Coil	Charge coil	●	●	●				●	●		●	●	●	
	Lamp coil													
Muffler cover		(●)		(●)		(●)			(●)		(●)	(●)		(●)
Spark arrester		●	(●)	●	(●)	(●)	●	●	(●)	(●)	(●)	●	(●)	(●)
Starter motor		●	●	●				●	●		●	●	●	
Control box		●	●	●					●		●	●	●	
Reduction							●	●	●	●	●	●	●	●

Specifications		Model	GX390UT2												
		Type	LXU	PA2	PAE2	PKT	PXD8	PXE8	PXU	QA2	QA26	QA4	QAA2	QAA6	QAE2
Crankshaft	20mmØ Spline														
	30mmØ Spline	●													
	25mmØ Straight														
	25.4mmØ Straight								●	●	●	●	●	●	
	1" Thread		●	●	●	●	●	●							
	3/16 Tapered														
	1/5 Tapered														
Air cleaner	Silent	●	●	●	●	●	●	●	●	●	●	●	●	●	
	Cyclone														
	Generator														
Muffler	Silent	●	●	●	●	●	●	●	●	●	●	●	●	●	
	Standard														
	Generator														
Coil	Charge coil			●		●	●							●	
	Lamp coil														
Muffler cover															
Spark arrester		(●)	(●)	●	(●)	●	(●)	(●)	●	●	●	(●)	(●)	●	
Starter motor				●		●	●							●	
Control box				●		●	●							●	
Reduction		●													

Specifications		Model	GX390UT2												
		Type	QAE4	QAE6	QC1	QC2	QC3	QC4	QC5	QC6	QC9	QCDW	QCE2	QCWT	QDW9
Crankshaft	20mmØ Spline														
	30mmØ Spline														
	25mmØ Straight														
	25.4mmØ Straight	●	●	●	●	●	●	●	●	●	●	●	●	●	●
	1" Thread														
	3/16 Tapered														
	1/5 Tapered														
Air cleaner	Silent	●	●												
	Cyclone			●	●	●	●	●	●	●	●	●	●	●	●
	Generator														
Muffler	Silent	●	●		●	●		●	●	●	●	●	●	●	●
	Standard			●			●								
	Generator														
Coil	Charge coil	●	●		●				●			●			
	Lamp coil														
Muffler cover				(●)				(●)	(●)						
Spark arrester		●	●	(●)	●	(●)	(●)	●	●	(●)	●	●	(●)	●	●
Starter motor		●	●		●							●			
Control box		●	●												
Reduction															

Specifications		Model	GX390UT2											
		Type	QE	QHB4	QK4	QKA4	QMAH	QME0	QNE2	QNE8	QNR2	QNR6	QNRV	QWA4
Crankshaft	20mmØ Spline													
	30mmØ Spline													
	25mmØ Straight													
	25.4mmØ Straight	●	●	●	●	●	●	●	●	●	●	●	●	●
	1" Thread													
	3/16 Tapered													
	1/5 Tapered													
Air cleaner	Silent	●	●	●	●	●	●	●	●	●	●	●		●
	Cyclone												●	
	Generator													
Muffler	Silent	●	●	●	●	●	●	●	●	●	●	●	●	●
	Standard													
	Generator													
Coil	Charge coil				●	●	●	●	●	●	●	●		●
	Lamp coil													
Muffler cover		(●)	(●)	(●)	(●)		(●)						(●)	
Spark arrester		●	●	●	●	(●)	(●)	(●)	(●)	(●)	(●)	●	●	●
Starter motor					●	●	●	●	●	●	●	●		
Control box					●		●	●	●	●	●	●		
Reduction														

Specifications		Model	GX390UT2											
		Type	QWC4	QWT2	QXAC	QXB7	QXB9	QXC4	QXC6	QXC9	QXCU	QXE4	QXE6	QXE7
Crankshaft	20mmØ Spline													
	30mmØ Spline													
	25mmØ Straight													
	25.4mmØ Straight	●	●	●	●	●	●	●	●	●	●	●	●	●
	1" Thread													
	3/16 Tapered													
	1/5 Tapered													
Air cleaner	Silent			●	●	●					●	●	●	●
	Cyclone	●	●				●	●	●	●				
	Generator													
Muffler	Silent	●	●		●	●		●	●	●	●	●	●	●
	Standard						●							
	Generator													
Coil	Charge coil	●									●	●	●	●
	Lamp coil													
Muffler cover		(●)		(●)	(●)	(●)	(●)				(●)		(●)	
Spark arrester		●	(●)	●	●	●	(●)	(●)	(●)	(●)	(●)	(●)	●	(●)
Starter motor											●	●	●	●
Control box											●	●	●	●
Reduction														

Specifications		Model	GX390UT2											
		Type	QXE9	QXEM	QXER	QXQ4	QXS4	QXU	QXUM	QXUZ	QZA2	QZAV	QZC	QZD
Crankshaft	20mmØ Spline													
	30mmØ Spline													
	25mmØ Straight													
	25.4mmØ Straight	●	●	●	●	●	●	●	●	●	●	●	●	●
	1" Thread													
	3/16 Tapered													
	1/5 Tapered													
Air cleaner	Silent	●	●	●	●		●	●	●	●	●	●	●	●
	Cyclone					●								
	Generator													
Muffler	Silent	●	●	●	●		●	●	●	●	●	●	●	●
	Standard					●								
	Generator													
Coil	Charge coil	●	●	●						●	●			
	Lamp coil													
Muffler cover		(●)			(●)									
Spark arrester		●	(●)	(●)	(●)	(●)	(●)	(●)	(●)	●	●	●	(●)	(●)
Starter motor		●	●	●						●	●			
Control box		●	●	●						●	●			
Reduction														

Specifications		Model	GX390UT2												
		Type	QZHW	QZME	QZN2	QZND	QZNH	QZNR	QZRL	QZRV	QZX9	QZXR	SC1	SCC	SCK4
Crankshaft	20mmØ Spline														
	30mmØ Spline														
	25mmØ Straight											●	●	●	
	25.4mmØ Straight	●	●	●	●	●	●	●	●	●	●				
	1" Thread														
	3/16 Tapered														
	1/5 Tapered														
Air cleaner	Silent	●	●	●	●	●	●	●	●	●	●			●	
	Cyclone											●	●		
	Generator														
Muffler	Silent	●	●	●	●	●	●	●	●	●	●		●	●	
	Standard											●			
	Generator														
Coil	Charge coil	●	●	●	●	●	●	●		●	●		●	●	
	Lamp coil														
Muffler cover										(●)		(●)		(●)	
Spark arrester		●	●	(●)	(●)	(●)	(●)	●	(●)	●	(●)	●	(●)	●	
Starter motor		●	●	●	●	●	●	●		●	●		●	●	
Control box		●		●	●	●	●	●		●	●			●	
Reduction															

Specifications		Model	GX390UT2												
		Type	SCM	SCM1	SCM2	SCM3	SHQ4	SHQ5	SHQ6	SM32	SMC1	SMD3	SME0	SME6	SMSC
Crankshaft	20mmØ Spline														
	30mmØ Spline														
	25mmØ Straight	●	●	●	●	●	●	●	●	●	●	●	●	●	●
	25.4mmØ Straight														
	1" Thread														
	3/16 Tapered														
	1/5 Tapered														
Air cleaner	Silent					●	●	●	●	●	●	●	●	●	
	Cyclone	●	●	●	●										●
	Generator														
Muffler	Silent	●	●	●	●	●	●	●	●	●		●	●	●	
	Standard										●				
	Generator														
Coil	Charge coil		●	●	●					●			●	●	●
	Lamp coil								●	●					
Muffler cover						(●)	(●)	(●)		(●)	(●)	(●)	(●)		
Spark arrester		●	(●)	(●)	●	(●)	(●)	(●)	(●)	●	●	(●)	(●)	(●)	
Starter motor			●	●	●					●			●		●
Control box			●							●			●		●
Reduction															



Specifications		Model	GX390UT2											
		Type	SMX2	SMXC	SNC	STC4	SWA4	SXB7	SXBG	SXE4	SXE8	SXEM	SXQ4	SXU
Crankshaft	20mmØ Spline													
	30mmØ Spline													
	25mmØ Straight	●	●	●	●	●	●	●	●	●	●	●	●	●
	25.4mmØ Straight													
	1" Thread													
	3/16 Tapered													
	1/5 Tapered													
Air cleaner	Silent	●			●	●	●	●	●	●	●	●	●	●
	Cyclone		●	●										
	Generator													
Muffler	Silent	●	●		●	●	●	●	●	●	●	●	●	●
	Standard			●										
	Generator													
Coil	Charge coil				●			●	●	●	●			●
	Lamp coil													
Muffler cover				(●)	(●)	(●)	(●)		(●)		(●)	(●)		
Spark arrester		●	●	●	●	●	●	(●)	(●)	(●)	(●)	(●)	(●)	(●)
Starter motor					●			●	●	●	●			●
Control box					●				●	●				●
Reduction														

Specifications		Model	GX390UT2											
		Type	VA2	VM2	VN27	VSB9	VSD7	VSD9	VX8	VXB7	VXB9	VXE2	VXE7	VXE8
Crankshaft	20mmØ Spline													
	30mmØ Spline													
	25mmØ Straight													
	25.4mmØ Straight													
	1" Thread													
	3/16 Tapered	●	●	●	●	●	●	●	●	●	●	●	●	●
	1/5 Tapered													
Air cleaner	Silent	●	●	●	●	●	●	●	●	●	●	●	●	●
	Cyclone													
	Generator													
Muffler	Silent	●	●	●	●	●	●	●	●	●	●	●	●	●
	Standard													
	Generator													
Coil	Charge coil			●							●	●	●	●
	Lamp coil		●											
Muffler cover				(●)	(●)	(●)	(●)		(●)	(●)		(●)		(●)
Spark arrester		●	●	●	●	●	●	(●)	●	●	(●)	●	(●)	●
Starter motor				●							●	●	●	●
Control box				●							●	●	●	●
Reduction														

Specifications		Model	GX390UT2				GX390RT1							
		Type	VXQ4	VZS9	VZX7	VZX8	QNB2	QTT	QWA2	VAA1	VAA8	VAC2	VAG2	VC2
Crankshaft	20mmØ Spline													
	30mmØ Spline													
	25mmØ Straight													
	25.4mmØ Straight					●	●	●						
	1" Thread													
	3/16 Tapered	●	●	●	●				●	●	●	●	●	●
	1/5 Tapered													
Air cleaner	Silent	●	●	●	●	●	●	●			●	●		●
	Cyclone													
	Generator								●	●			●	
Muffler	Silent	●	●	●	●	●	●	●			●	●		●
	Standard													
	Generator								●	●				
Coil	Charge coil			●	●	●		●		●			●	●
	Lamp coil													
Muffler cover	(●)		(●)											
Spark arrester	(●)	●	●	(●)	●	(●)	●	●	●	●	●	●	(●)	●
Starter motor			●	●	●					●			●	●
Control box			●	●						●			●	
Reduction														

Specifications		Model	GX390RT1											
		Type	VD2	VDE2	VEP9	VK2	VKB2	VKE4	VKX4	VNG1	VPE5	VPE9	VPX4	VPX9
Crankshaft	20mmØ Spline													
	30mmØ Spline													
	25mmØ Straight													
	25.4mmØ Straight													
	1" Thread													
	3/16 Tapered	●	●	●	●	●	●	●	●	●	●	●	●	●
	1/5 Tapered													
Air cleaner	Silent	●	●		●	●			●					
	Cyclone													
	Generator			●			●	●		●	●	●	●	●
Muffler	Silent	●	●		●	●			●			●		
	Standard			●										
	Generator						●	●						
Coil	Charge coil		●	●	●	●	●			●	●			●
	Lamp coil													
Muffler cover									(●)	(●)		(●)		
Spark arrester		●	●		●	●	●	●	●	●	●	●	●	
Starter motor			●		●	●	●			●	●			●
Control box			●		●	●								
Reduction														

Specifications		Model	GX390RT1						GX390RT2					
		Type	VSD4	VTH4	VWC	VWC9	VWE	VWT4	VXG	ED6	EDD2	EDS6	EDT6	EZD2
Crankshaft	20mmØ Spline													
	30mmØ Spline													
	25mmØ Straight													
	25.4mmØ Straight													
	1" Thread													
	3/16 Tapered	●	●	●	●	●	●	●						
	1/5 Tapered								●	●	●	●	●	●
Air cleaner	Silent				●		●							
	Cyclone													
	Generator	●	●	●		●		●	●	●	●	●	●	●
Muffler	Silent				●									
	Standard													
	Generator								●	●	●	●	●	●
Coil	Charge coil	●	●			●				●	●			●
	Lamp coil								●	●			●	
Muffler cover					(●)		(●)							
Spark arrester		(●)	●	(●)	●	(●)	(●)	(●)					●	●
Starter motor		●	●			●	●			●	●		●	●
Control box														
Reduction														

Specifications		Model	GX390RT2												
		Type	EZDS	EZDV	PXM8	QAGN	QNB2	QNGN	QTT	QWA2	SDQ5	SMES	SXS6	VAA1	VAG2
Crankshaft	20mmØ Spline														
	30mmØ Spline														
	25mmØ Straight									●	●	●			
	25.4mmØ Straight				●	●	●	●	●						
	1" Thread			●											
	3/16 Tapered												●	●	
	1/5 Tapered	●	●												
Air cleaner	Silent			●	●	●	●	●	●	●	●			●	
	Cyclone														
	Generator	●	●									●	●		
Muffler	Silent			●	●	●	●	●	●					●	
	Standard														
	Generator	●	●										●		
Coil	Charge coil	●	●	●	●	●	●		●		●	●			
	Lamp coil									●					
Muffler cover										(●)	(●)				
Spark arrester		●	●	(●)	●	●	(●)	(●)	●	(●)	(●)		●	●	
Starter motor		●	●	●	●	●	●				●	●			
Control box				●	●		●								
Reduction															

Specifications		Model	GX390RT2												
		Type	VC2	VCF	VCT	VCT2	VDE2	VEP9	VK2	VKB2	VKE4	VKER	VKX4	VKXR	VPE5
Crankshaft	20mmØ Spline														
	30mmØ Spline														
	25mmØ Straight														
	25.4mmØ Straight														
	1" Thread														
	3/16 Tapered	●	●	●	●	●	●	●	●	●	●	●	●	●	●
	1/5 Tapered														
Air cleaner	Silent					●		●	●						
	Cyclone														
	Generator	●	●	●	●		●			●	●	●	●	●	
Muffler	Silent					●		●	●						
	Standard						●								
	Generator									●	●	●	●		
Coil	Charge coil	●			●	●	●	●	●	●	●				●
	Lamp coil														
Muffler cover															(●)
Spark arrester						●	(●)	●	●	●	●	●	●	●	●
Starter motor		●	●	●	●	●		●	●	●	●				●
Control box		●				●		●	●						
Reduction															

Specifications		Model	GX390RT2											
		Type	VPE9	VPP9	VPX4	VPX9	VSD4	VWC	VWC9	VWE	VWS	VWS1	VWT4	VXF
Crankshaft	20mmØ Spline													
	30mmØ Spline													
	25mmØ Straight													
	25.4mmØ Straight													
	1" Thread													
	3/16 Tapered	●	●	●	●	●	●	●	●	●	●	●	●	●
	1/5 Tapered													
Air cleaner	Silent							●				●		
	Cyclone													
	Generator	●	●	●	●	●	●		●	●	●		●	●
Muffler	Silent			●				●						
	Standard													
	Generator										●			
Coil	Charge coil	●	●			●			●					
	Lamp coil													
Muffler cover				(●)				(●)				(●)		
Spark arrester		●	●	●	●			●			●			
Starter motor		●	●			●			●			●		
Control box														
Reduction														



Specifications		Model	GX390RT2					GX390UT2X						
		Type	VXT	VZC2	VZP9	VZWE	VZXZ	HA2	LFU	LKE	LX2	LXE4	LXE5	LXE8
Crankshaft	20mmØ Spline						●							
	30mmØ Spline							●	●	●	●	●	●	●
	25mmØ Straight													
	25.4mmØ Straight													
	1" Thread													
	3/16 Tapered	●	●	●	●	●								
	1/5 Tapered													
Air cleaner	Silent						●		●	●	●	●	●	●
	Cyclone													
	Generator	●	●	●	●	●		●						
Muffler	Silent						●	●	●	●	●	●	●	●
	Standard													
	Generator													
Coil	Charge coil		●	●	●	●		●	●		●	●	●	
	Lamp coil													
Muffler cover						(●)			(●)		(●)	(●)		(●)
Spark arrester				●		●	●	●	(●)	(●)	(●)	●	(●)	(●)
Starter motor			●	●	●	●		●	●		●	●	●	
Control box			●						●		●	●	●	
Reduction							●	●	●	●	●	●	●	●

Specifications		Model	GX390UT2X												
		Type	LXU	PA2	PAE2	PKT	PXD8	PXE8	PXU	QA2	QA4	QAA2	QAE2	QC1	QC3
Crankshaft	20mmØ Spline														
	30mmØ Spline	●													
	25mmØ Straight														
	25.4mmØ Straight								●	●	●	●	●	●	
	1" Thread		●	●	●	●	●	●							
	3/16 Tapered														
	1/5 Tapered														
Air cleaner	Silent	●	●	●	●	●	●	●	●	●	●	●			
	Cyclone												●	●	
	Generator														
Muffler	Silent	●	●	●	●	●	●	●	●	●	●	●		●	
	Standard												●		
	Generator														
Coil	Charge coil			●		●	●					●			
	Lamp coil														
Muffler cover													(●)		
Spark arrester		(●)	(●)	●	(●)	●	(●)	(●)	●	●	(●)	●	(●)	(●)	
Starter motor				●		●	●					●			
Control box				●		●	●					●			
Reduction		●													

Specifications		Model	GX390UT2X												
		Type	QC5	QC6	QC9	QCDW	QCE2	QCWT	QE	QHB4	QK4	QKA4	QMAH	QME0	QNE2
Crankshaft	20mmØ Spline														
	30mmØ Spline														
	25mmØ Straight														
	25.4mmØ Straight	●	●	●	●	●	●	●	●	●	●	●	●	●	●
	1" Thread														
	3/16 Tapered														
	1/5 Tapered														
Air cleaner	Silent							●	●	●	●	●	●	●	●
	Cyclone	●	●	●	●	●	●								
	Generator														
Muffler	Silent	●	●	●	●	●	●	●	●	●	●	●	●	●	●
	Standard														
	Generator														
Coil	Charge coil		●			●					●	●	●	●	
	Lamp coil														
Muffler cover		(●)	(●)					(●)	(●)	(●)	(●)		(●)		
Spark arrester		●	●	(●)	●	●	(●)	●	●	●	●	(●)	(●)	(●)	(●)
Starter motor						●					●	●	●	●	
Control box											●		●	●	
Reduction															

Specifications		Model	GX390UT2X											
		Type	QNR2	QNRV	QWC	QXAC	QXB7	QXB9	QXE4	QXE6	QXE7	QXE8	QXE9	QXEM
Crankshaft	20mmØ Spline													
	30mmØ Spline													
	25mmØ Straight													
	25.4mmØ Straight	●	●	●	●	●	●	●	●	●	●	●	●	●
	1" Thread													
	3/16 Tapered													
	1/5 Tapered													
Air cleaner	Silent	●	●	●	●	●	●	●	●	●	●	●	●	●
	Cyclone													
	Generator													
Muffler	Silent	●	●	●		●	●	●	●	●	●	●	●	●
	Standard													
	Generator													
Coil	Charge coil	●	●	●				●	●	●	●	●	●	●
	Lamp coil													
Muffler cover					(●)	(●)	(●)	(●)		(●)		(●)		
Spark arrester		(●)	●	●	●	●	●	(●)	(●)	●	(●)	●	(●)	(●)
Starter motor		●	●					●	●	●	●	●	●	●
Control box		●	●					●	●	●	●	●	●	●
Reduction														

Specifications		Model	GX390UT2X											
		Type	QXQ4	QXU	QXUM	QXUZ	QZA2	QZAV	QZD	QZHW	QZN2	QZNR	QZRL	QZXR
Crankshaft	20mmØ Spline													
	30mmØ Spline													
	25mmØ Straight													●
	25.4mmØ Straight	●	●	●	●	●	●	●	●	●	●	●	●	
	1" Thread													
	3/16 Tapered													
	1/5 Tapered													
Air cleaner	Silent	●	●	●	●	●	●	●	●	●	●	●	●	
	Cyclone													●
	Generator													
Muffler	Silent	●	●	●	●	●	●	●	●	●	●	●	●	
	Standard													●
	Generator													
Coil	Charge coil					●	●		●	●	●	●	●	
	Lamp coil													
Muffler cover		(●)												(●)
Spark arrester		(●)	(●)	(●)	(●)	●	●	(●)	●	(●)	(●)	●	(●)	●
Starter motor						●	●		●	●	●	●	●	
Control box						●	●		●	●	●	●	●	
Reduction														

Specifications		Model	GX390UT2X											
		Type	SCC	SCK4	SCM	SCM1	SCM3	SCMV	SE1C	SE2C	SHQ4	SHQ5	SHQ6	SM32
Crankshaft	20mmØ Spline													
	30mmØ Spline													
	25mmØ Straight	●	●	●	●	●	●	●	●	●	●	●	●	●
	25.4mmØ Straight													
	1" Thread													
	3/16 Tapered													
	1/5 Tapered													
Air cleaner	Silent		●							●	●	●	●	●
	Cyclone	●		●	●	●	●	●	●					
	Generator													
Muffler	Silent	●	●	●	●	●	●	●	●	●	●	●	●	●
	Standard													
	Generator													
Coil	Charge coil	●	●		●	●			●				●	
	Lamp coil											●		●
Muffler cover			(●)				(●)			(●)	(●)	(●)		(●)
Spark arrester		(●)	●	●	(●)	●	(●)	●	●	(●)	(●)	(●)	(●)	●
Starter motor		●	●		●	●			●				●	
Control box			●		●								●	
Reduction														

Specifications		Model	GX390UT2X											
		Type	SMD3	SME0	SME6	SMX2	STC4	SWA4	SXB7	SXBG	SXE4	SXEM	SXQ4	VN27
Crankshaft	20mmØ Spline													
	30mmØ Spline													
	25mmØ Straight	●	●	●	●	●	●	●	●	●	●	●		
	25.4mmØ Straight													
	1" Thread													
	3/16 Tapered												●	●
	1/5 Tapered													
Air cleaner	Silent	●	●	●	●	●	●	●	●	●	●	●	●	●
	Cyclone													
	Generator													
Muffler	Silent		●	●	●	●	●	●	●	●	●	●	●	●
	Standard	●												
	Generator													
Coil	Charge coil		●	●		●			●	●	●		●	
	Lamp coil													
Muffler cover		(●)	(●)	(●)		(●)	(●)	(●)		(●)	(●)	(●)	(●)	(●)
Spark arrester		●	(●)	(●)	●	●	●	●	(●)	(●)	(●)	(●)	●	●
Starter motor			●			●			●	●	●		●	
Control box			●			●				●			●	
Reduction														

Specifications		Model	GX390UT2X								
		Type	VSD9	VX8	VXB7	VXB9	VXE2	VXE7	VXE8	VXE9	VZX7
Crankshaft	20mmØ Spline										
	30mmØ Spline										
	25mmØ Straight										
	25.4mmØ Straight										
	1" Thread										
	3/16 Tapered	●	●	●	●	●	●	●	●	●	●
	1/5 Tapered										
Air cleaner	Silent	●	●	●	●	●	●	●	●	●	●
	Cyclone										
	Generator										
Muffler	Silent	●	●	●	●	●	●	●	●	●	●
	Standard										
	Generator										
Coil	Charge coil					●	●	●	●	●	●
	Lamp coil										
Muffler cover		(●)		(●)	(●)		(●)		(●)	(●)	
Spark arrester		●	(●)	●	●	(●)	●	(●)	●	●	(●)
Starter motor						●	●	●	●	●	●
Control box						●	●	●	●	●	●
Reduction											

Fuel hose, general purpose hoses and vinyl hose

- The standard part fuel hose, general purpose hose and vinyl hose may be substituted by the coiled bulk part.
- When ordering the standard part fuel hose, general purpose hose and vinyl hose use the bulk part number written in the parts catalog in brackets () underneath the part name.
- When exchanging the hose, cut and use at the specified length as mentioned in the part name.
(For the method of cutting the bulk part, and method of filling out orders etc., please refer to the instructions issued with the bulk part.)

Bulk part number of fuel hose, general purpose hose and vinyl hose.

Example: 9 5 0 0 1 - 7 5 0 0 1 - 5 0 M

Bulk part number:

Refers to the bulk part.

Marking code (fuel hose and general purpose hose)

Change code (Vinyl hose)

Indicates number mark or change sequence, however, the code for the bulk part must be strictly 0 (zero).

Types of code:

- | | | | | | |
|-------------|--|----------------|--|--------------|---|
| • Fuel hose | 2: Red outside braid
(3 mm inside dia. only) | • General hose | 1: Ash gray
2: Ash gray
3: Black
5: Black | • Vinyl hose | 1: Clear
2: Black
3: Light red
6: Light red
7: Pale black |
| | 5: Black inside braid | | | | |
| | 3: Red (3 mm inside dia. only) | | | | |
| | 4: Ash gray with red stripe
(3 mm inside dia. only) | | | | |
| | 6: Black | | | | |

Lengths:

- 001: 1 m (standard)
003: 3 m
008: 8 m } Application or specification of some parts is not settled.

I.D code: (fuel hose and general purpose hose)

- | | | | | |
|------------|--------------------|--------------------|-----------------------------|-----------------------------|
| 30: 3.0 mm | 50: 5.0 mm | 70: 7.0 mm | 11: 11 mm | 12: 12 (outside dia. 17) mm |
| 35: 3.5 mm | 55: 5.3 mm, 5.5 mm | 75: 7.3 mm, 7.5 mm | 91: 12 (outside dia. 15) mm | 14: 14 mm |
| 45: 4.5 mm | 65: 6.5 mm | 80: 8.0 mm | 92: 12 (outside dia. 16) mm | 17: 17 mm |

ID./OD. code: (vinyl hose)

- | | | | | |
|-------------------------|--------------------------|---------------------------|---------------------------|---------------------------|
| 01: ID. 2.9, OD. 6.8 mm | 12: ID. 5.0, OD. 7.0 mm | 21: ID. 8.0, OD. 9.0 mm | 37: ID. 11.0, OD. 15.0 mm | 50: ID. 16.0, OD. 19.0 mm |
| 03: ID. 3.0, OD. 6.0 mm | 10: ID. 5.0, OD. 8.0 mm | 23: ID. 8.0, OD. 12.0 mm | 38: ID. 12.0, OD. 13.0 mm | 55: ID. 17.5, OD. 20.5 mm |
| 05: ID. 3.5, OD. 6.5 mm | 11: ID. 5.0, OD. 9.0 mm | 25: ID. 9.0, OD. 11.0 mm | 39: ID. 12.0, OD. 14.0 mm | 60: ID. 22.0, OD. 27.0 mm |
| 07: ID. 4.0, OD. 7.0 mm | 14: ID. 6.0, OD. 9.0 mm | 27: ID. 9.0, OD. 13.0 mm | 40: ID. 12.0, OD. 16.0 mm | |
| 08: ID. 4.5, OD. 6.5 mm | 17: ID. 7.0, OD. 9.0 mm | 33: ID. 10.0, OD. 14.0 mm | 43: ID. 13.0, OD. 15.0 mm | |
| 09: ID. 4.5, OD. 8.0 mm | 19: ID. 7.0, OD. 11.0 mm | 36: ID. 11.0, OD. 13.0 mm | 45: ID. 14.0, OD. 18.0 mm | |

Hose type:

- 1: Fuel hose
3: Vinyl hose
5: General hose

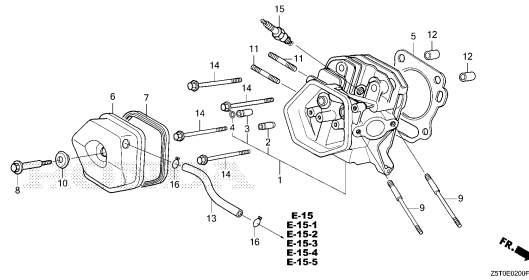
⊙ **CAUTION: It is DANGEROUS to confuse the fuel hose with the general purpose hose or vinyl hose.**

Never use a general purpose hose or vinyl hose in place of a fuel hose or vice versa. Always use the correct bulk part in the parts catalogue, according to the service manual or the instructions issued with the bulk part.

ENGINE GROUP

E-2

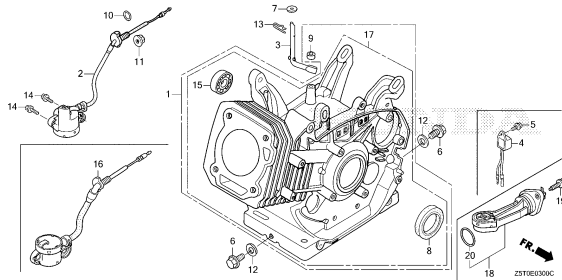
CYLINDER HEAD



ZST0E020P

E-3

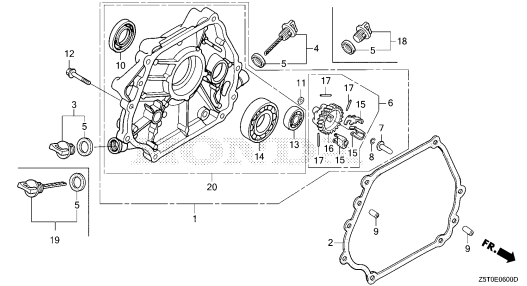
CYLINDER BARREL



ZST0E030C

E-6

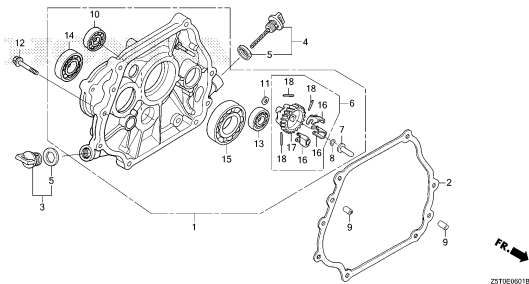
CRANKCASE COVER(1)



ZST0E060D

E-6-1

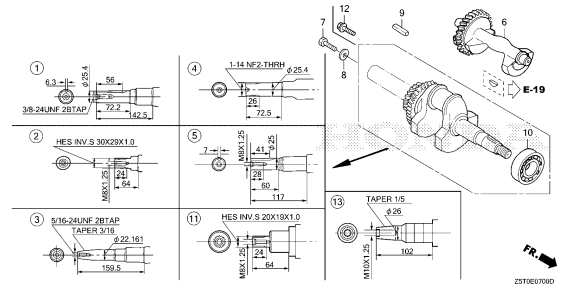
CRANKCASE COVER(2)



ZST0E060B

E-7

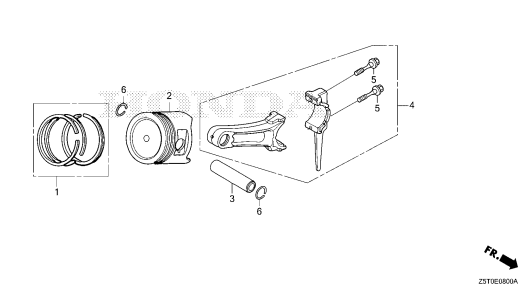
CRANKSHAFT



ZST0E070D

E-8

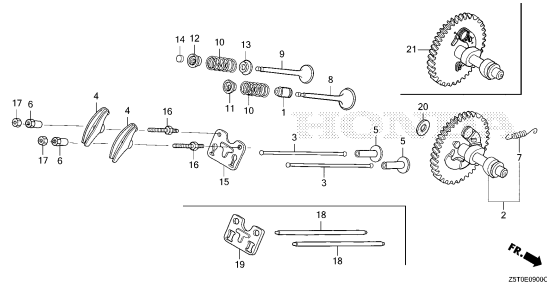
PISTON



ZST0E080A

E-9

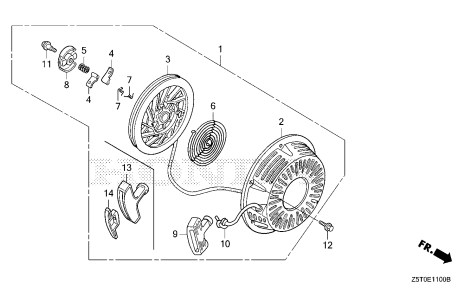
CAMSHAFT



ZST0E090C

E-11

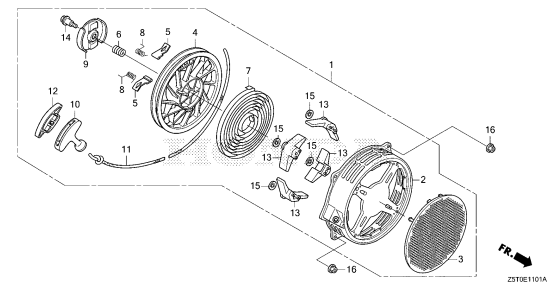
RECOIL STARTER(1)



ZST0E1100B

E-11-1

RECOIL STARTER(2)



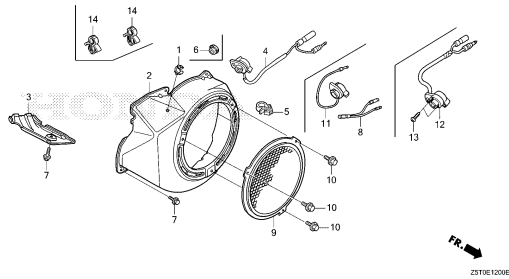
ZST0E1101A

2

ENGINE GROUP

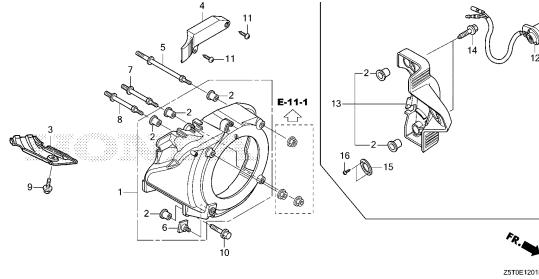
E-12

FAN COVER(1)



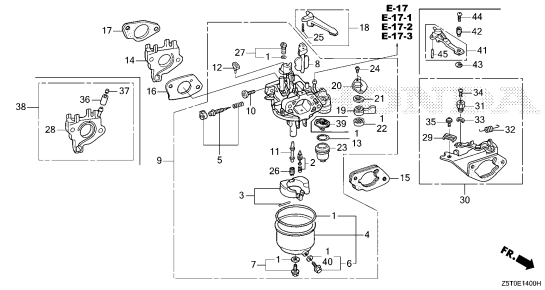
E-12-1

FAN COVER(2)



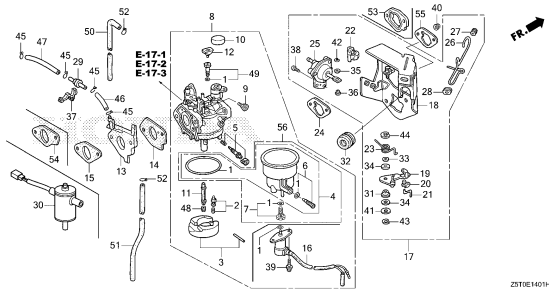
E-14

CARBURETOR(1)



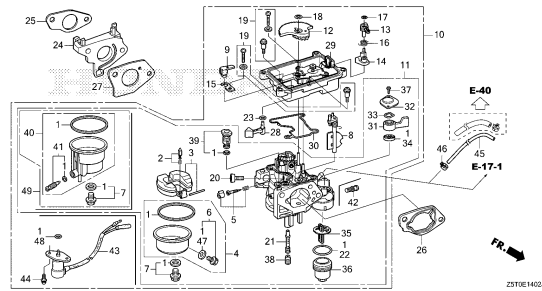
E-14-1

CARBURETOR(2)



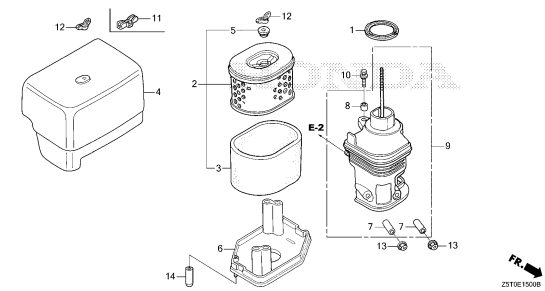
E-14-2

CARBURETOR(3)



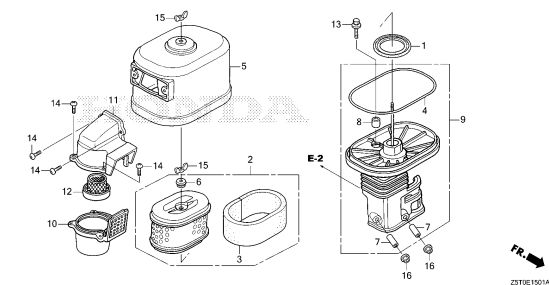
E-15

AIR CLEANER(1)



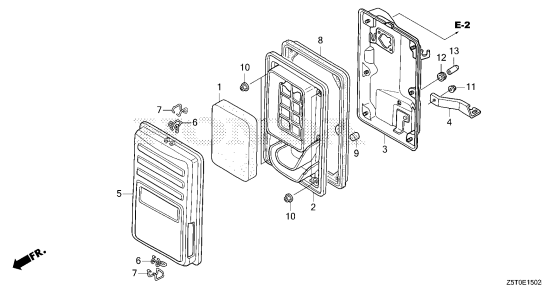
E-15-1

AIR CLEANER(2)



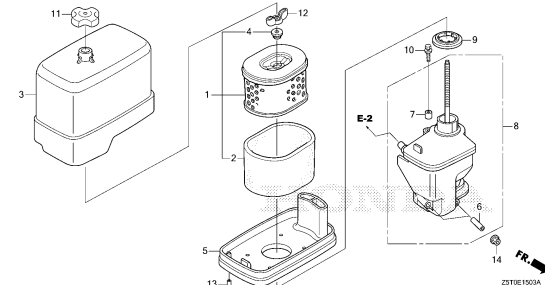
E-15-2

AIR CLEANER(3)



E-15-3

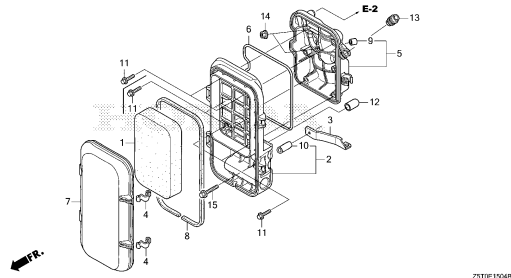
AIR CLEANER(4)



ENGINE GROUP

E-15-4

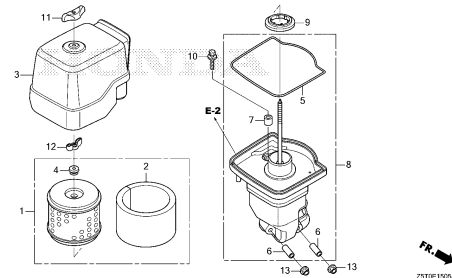
AIR CLEANER(5)



ZST0E1504B

E-15-5

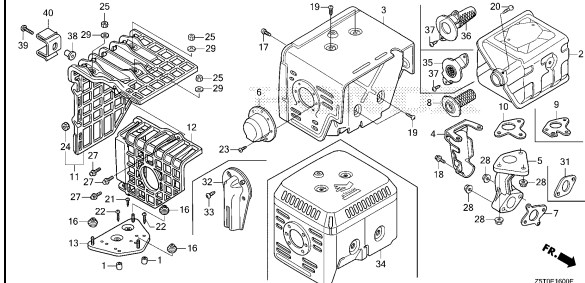
AIR CLEANER(6)



ZST0E1505A

E-16

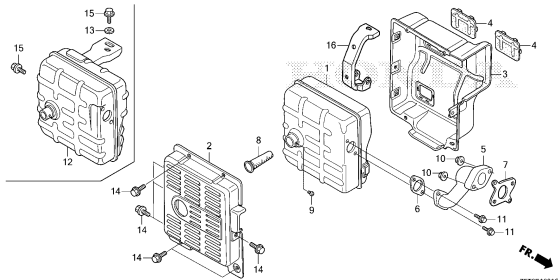
MUFFLER(1)



ZST0E1600E

E-16-1

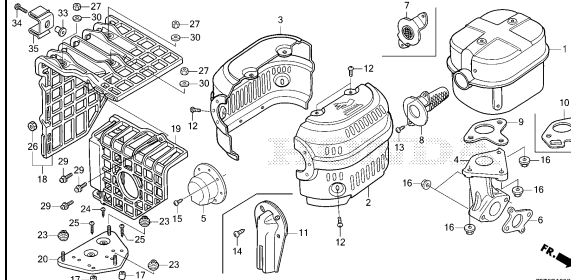
MUFFLER(2)



ZST0E1601C

E-16-2

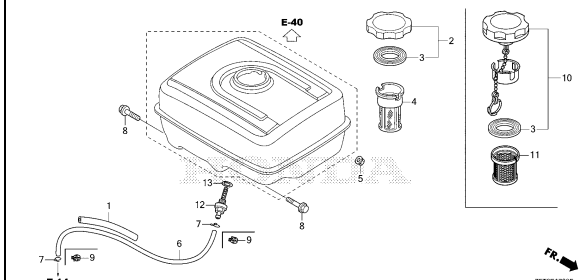
MUFFLER(3)



ZST0E1602E

E-17

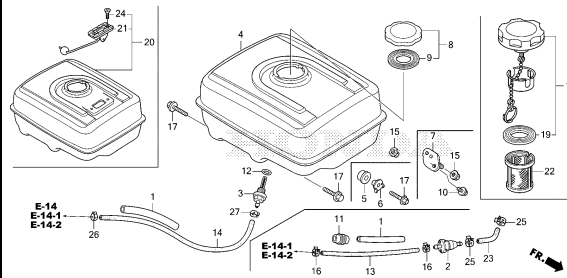
FUEL TUBE



ZST0E1700F

E-17-1

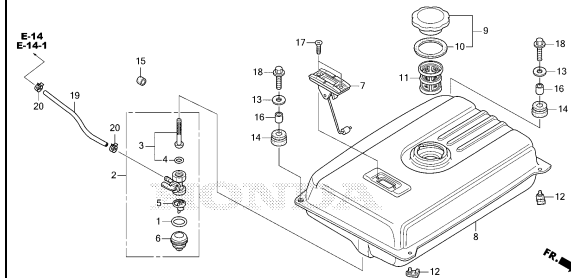
FUEL TANK(1)



ZST0E1701F

E-17-2

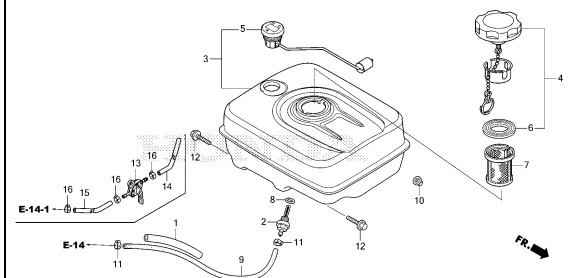
FUEL TANK(2)



ZST0E1702B

E-17-3

FUEL TANK(3)



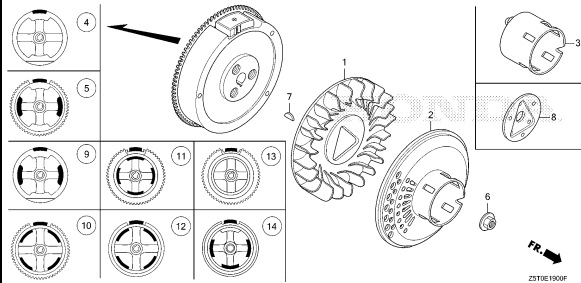
ZST0E1702B

2

ENGINE GROUP

E-19

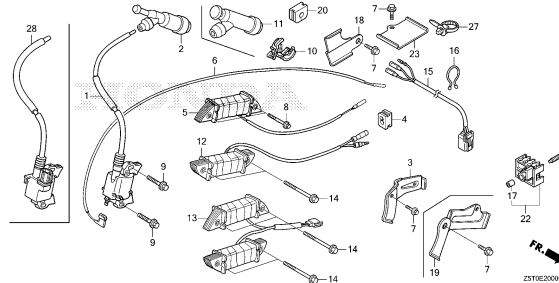
FLYWHEEL



ZST0E1900P

E-20

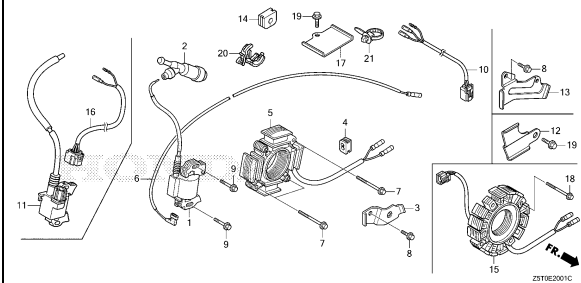
IGNITION COIL(1)



ZST0E2000P

E-20-1

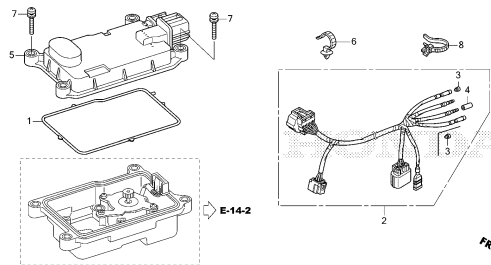
IGNITION COIL(2)



ZST0E2001C

E-20-10

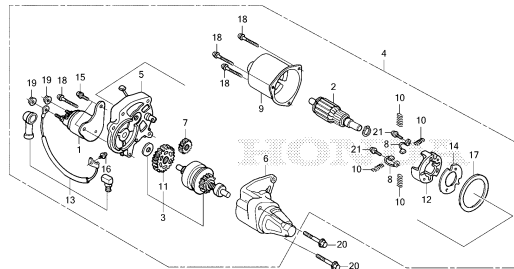
ELECTRONIC CONTROL UNIT



ZST0E2010B

E-21

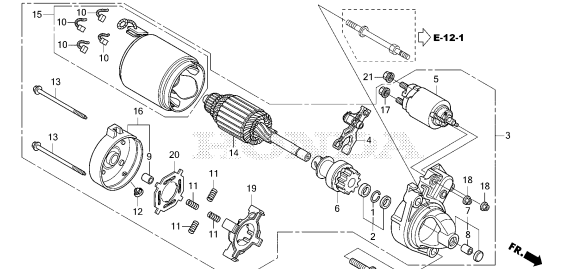
STARTER MOTOR(1)



ZST0E2100B

E-21-1

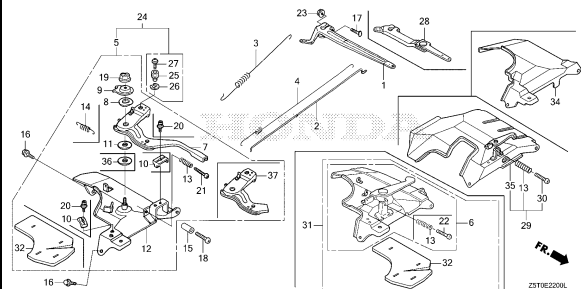
STARTER MOTOR(2)



ZST0E2101A

E-22

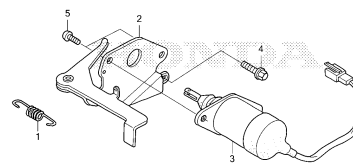
CONTROL



ZST0E2200L

E-22-20

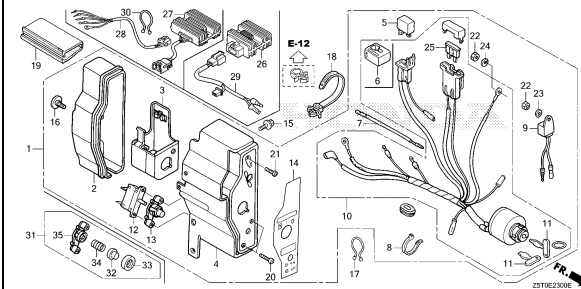
AUTO THROTTLE



ZST0E2220A

E-23

CONTROL BOX(1)

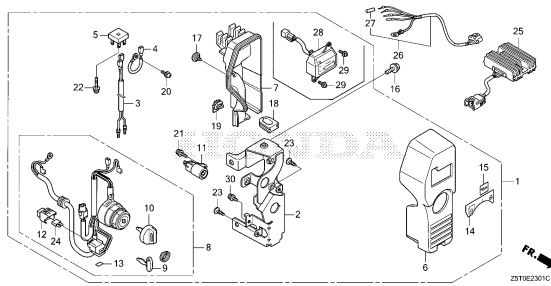


ZST0E2300E

ENGINE GROUP

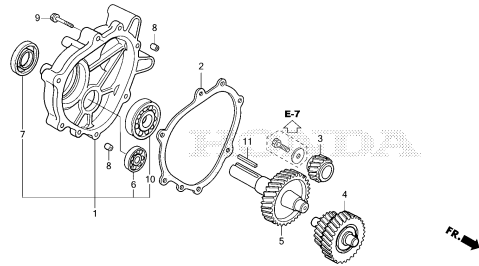
E-23-1

CONTROL BOX(2)



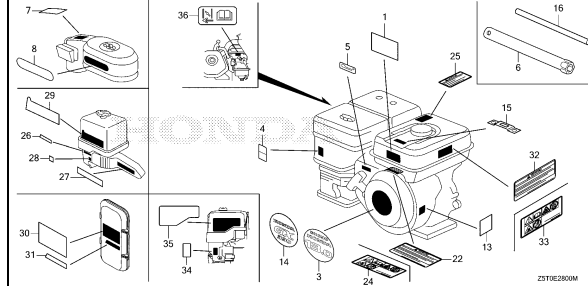
E-26

REDUCTION



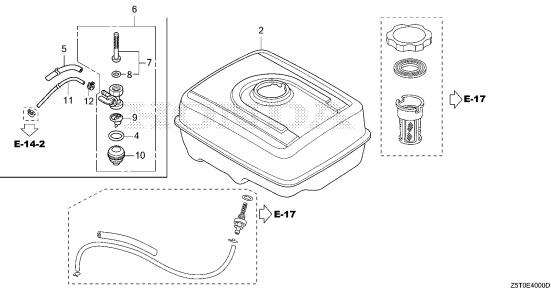
E-28

LABEL/TOOL



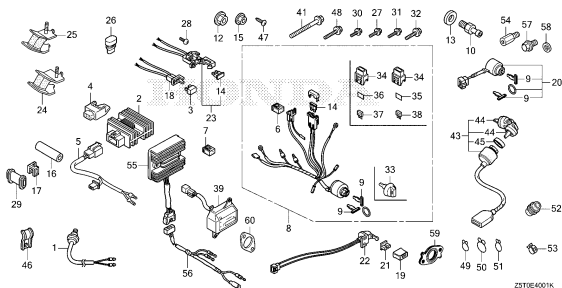
E-40

OTHER PARTS(FUEL TANK)



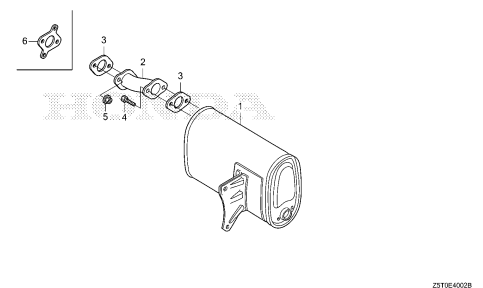
E-40-1

OTHER PARTS(COMBINATION SWITCH)



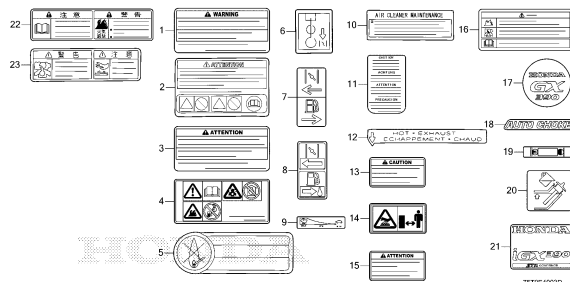
E-40-2

OTHER PARTS(MUFFLER)(1)



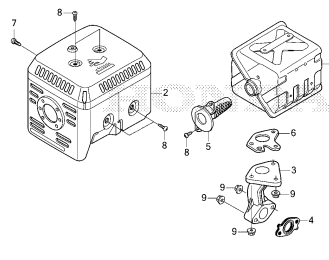
E-40-3

OTHER PARTS(MARK)



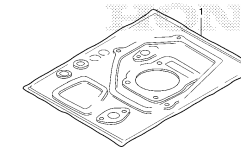
E-40-4

OTHER PARTS(MUFFLER)(2)



EOP-1

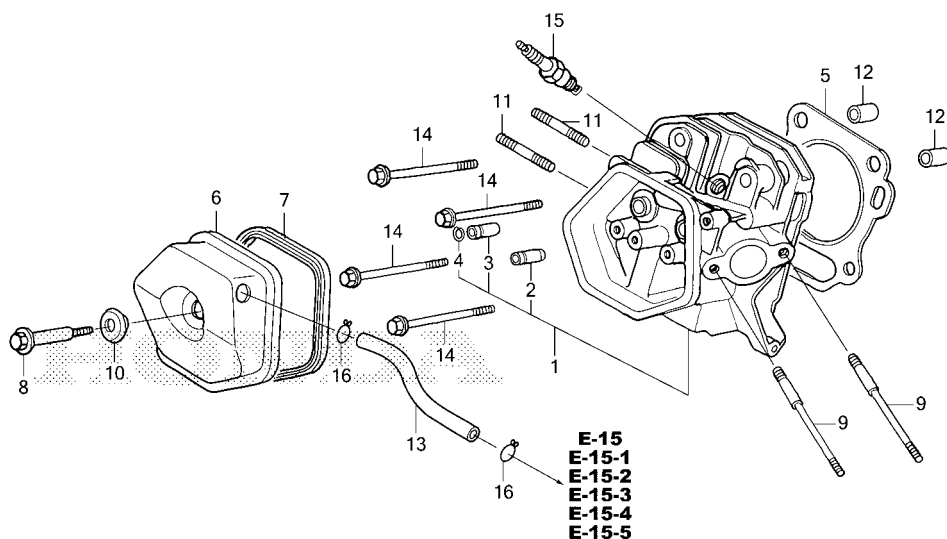
GASKET KIT



2

E-2

CYLINDER HEAD



Z5T0E0200F

Ref. L.O.N. (Relative ref. Number) F.R.T.
 No. Description

Ref. No.	Part No.	Description	Reqd. QTY					Serial No.	Parts catalogue code
			GX 390 UT1	GX 390 UT2	GX 390 RT1	GX 390 RT2	GX 390 UT2X		
1	12200-ZF6-406	HEAD COMP., CYLINDER.....	1	-	1	-	-	HA2, LKE, LX2, LXE4, LXQ4, PA2, PAE2, QAE2, QAE6, QC2, QE, QHB4, QKA4, QME0, QNB2, QNE2, QNE6, QNE8, QNR2, QNR6, QWA2, QWC4, QXB7, QXB9, QXC4, QXC6, QXE4, QXE6, QXE7, QXE9, QXH9, QXS4, SCK4, SM32, SMC1, SMD3, SME0, SME6, SNC, STC4, SWA4, SXB7, SXB9, SXE4, SXU, VA2, VAA1, VAC2, VAG2, VC2, VC2N, VCN2, VD2, VDE2, VEP9, VK2, VKB2, VKE4, VM2, VN27, VPE5, VPE9, VS49, VSD4, VTH4, VWC, VWC9, VWE, VWT4, VXE2, VXE6, VXE7, VXE9, VXQ4	
	12200-Z1C-406	1	-	1	-	-	LXE8, LXU, PXD8, PXT8, PXU, QA2, QA26, QA4, QAA2, QAA6, QAE4, QAW, QDW9, QK4, QME2, QTT, QWA4, QWT2, QXC9, QXCU, QXE8, QXER, QXQ4, QXS2, QXU, QXUZ, SHQ2, SHQ4, SMC2, SWA2, SXE8, SXQ4, VAA8, VKX4, VNG1, VPX2, VPX4, VPX9, VSD7, VSD9, VX8, VXB7, VXB9, VXE8, VXG	
	12210-Z5T-416	-	1	-	1	-	EZDM, EZDS, EZDV, LFU, LXE5, PKT, QAGN, QC1, QC3, QC4, QC5, QC6, QC9, QCDW, QCE2, QCWT, QMAH, QNGN, QNRV, QWC, QXAC, QXEM, QXUM, QZC, QZD, QZDS, QZHW, QZME, QZND, QZRL, QZRV, SC1, SCC, SCM, SCM1, SCM2, SCM3, SDQ5, SHQ6, SMES, SMSC, SMXC, SXBG, SXEM, SXS6, SZEC, VCF, VCT, VCT2, VKER, VKXR, VPP9, VSB9, VWS1, VXF, VXT, VZS9, VZXZ	
	12210-Z5T-406	-	1	-	1	1180518	ED6, EDD2, EDS6, EDT6, EZD2, HA2, LKE, LX2, LXE4, LXE8, LXQ4, LXU, PA2, PAE2, PXD8, PXE8, PXM8, PXU, QA2, QA26, QA4, QAA2, QAA6, QAE2, QAE4, QAE6, QC2, QDW9, QE, QHB4, QK4, QKA4, QME0, QNB2, QNE2, QNE8, QNR2, QNR6, QTT, QWA2, QWA4, QWC4, QWT2, QXB7, QXB9, QXC4, QXC6, QXC9, QXCU, QXE4, QXE6, QXE7, QXE8, QXE9, QXER, QXQ4, QXS4, QXU, QXUZ, QZA2, QZAV, QZN2, QZNH, QZNR, QZX9, QZXR, SCK4, SHQ4, SHQ5, SM32, SMC1, SMD3, SME0, SME6, SMX2, SNC, STC4, SWA4, SXB7, SXE4, SXE8, SXQ4, SXU, VA2, VAA1, VAG2, VC2, VDE2, VEP9, VK2, VKB2, VKE4, VKX4, VM2, VN27, VPE5, VPE9, VPX4, VPX9, VSD4, VSD7, VSD9, VWC, VWC9, VWE, VWS, VWT4, VX8, VXB7, VXB9, VXE2, VXE7, VXE8, VXE9, VXG, VXQ4, VZC2, VZP9, VZWE, VZX7, VZX8	

E-2

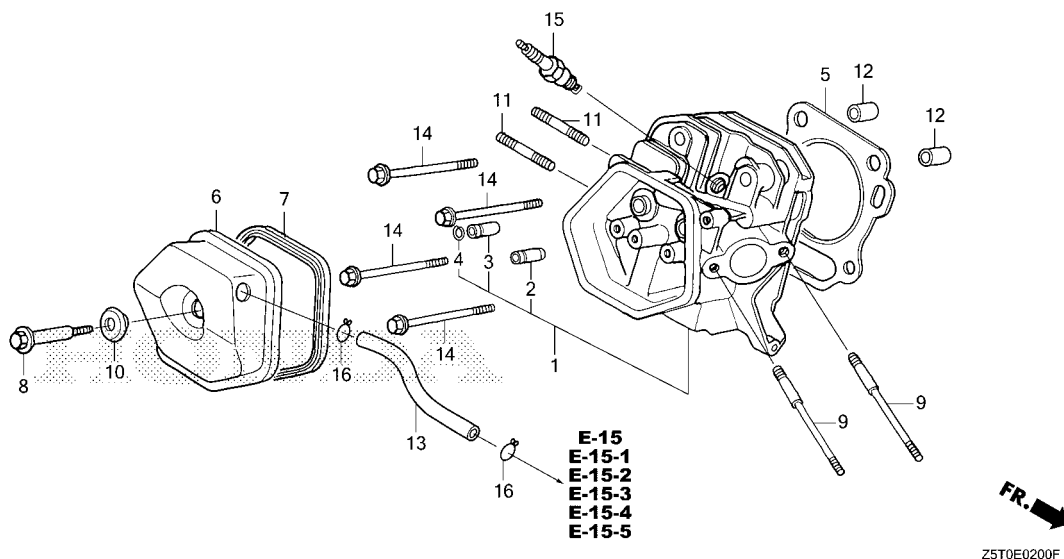
CYLINDER HEAD

Ref. No.	Part No.	Description	Reqd. QTY					Serial No.	Parts catalogue code
			GX 390 UT1	GX 390 UT2	GX 390 RT1	GX 390 RT2	GX 390 UT2X		
(1)	12210-Z5T-416	HEAD COMP., CYLINDER.....	-	1	-	1	-	1180519 -----	ED6, EDD2, EDS6, EDT6, EZD2, HA2, LKE, LX2, LXE4, LXE8, LXQ4, LXU PA2, PAE2, PXD8, PXE8, PXM8, PXU, QA2, QA26, QA4, QAA2, QAA6, QAE2 QAE4, QAE6, QC2, QDW9, QE, QHB4, QK4, QKA4, QME0, QNB2, QNE2, QNE8 QNR2, QNR6, QTT, QWA2, QWA4, QWC4, QWT2, QXB7, QXB9, QXC4, QXC6 QXC9, QXCU, QXE4, QXE6, QXE7, QXE8, QXE9, QXER, QXQ4, QXS4, QXU QXUZ, QZA2, QZAV, QZN2, QZNH, QZNR, QZX9, QZXR, SCK4, SHQ4, SHQ5 SM32, SMC1, SMD3, SME0, SME6, SMX2, SNC, STC4, SWA4, SXB7, SXE4 SXE8, SXQ4, SXU, VA2, VAA1, VAG2, VC2, VDE2, VEP9, VK2, VKB2, VKE4 VKX4, VM2, VN27, VPE5, VPE9, VPX4, VPX9, VSD4, VSD7, VSD9, VWC, VWC9 VWE, VWS, VWT4, VX8, VXB7, VXB9, VXE2, VXE7, VXE8, VXE9, VXG, VXQ4 VZC2, VZP9, VZWE, VZX7, VZX8
2	12204-ZE2-306	GUIDE, IN. VALVE(O.S.).....	-	-	-	-	1	-----	LKE, LX2, LXE4, LXQ4, PXD8, QE, QHB4, QKA4, QME0, QNE8, QXB7, QXB9 QXC4, QXE4, QXE7, QXE9, QXER, QXH9, QXUZ, SCK4, SMC1, SMD3, SME0 SME6, SNC, STC4, SWA4, SXB7, SXB9, SXE4, SXU, VN27, VXE7, VXE9, VXQ4
			-	1	1	-	-	-----	QAE4, QNE8, QWC4, QXS4, QZNH, QZX9, SXE8, SXU, VAA1, VAA8, VEP9 VKE4, VKX4, VNG1, VPE5, VPE9, VPX4, VPX9, VS49, VSD4, VSD7, VTH4 VWC9, VWT4, VXQ4
3	12205-ZE2-305	GUIDE, EX. VALVE(O.S.).....	-	-	-	1	-	-----	ED6, EDD2, VAA1, VPE5, VPX4, VWS, VZP9
			1	-	-	-	-	-----	LKE, LX2, LXE4, LXQ4, PXD8, QE, QHB4, QKA4, QME0, QNE8, QXB7, QXB9 QXC4, QXE4, QXE7, QXE9, QXER, QXH9, QXUZ, SCK4, SMC1, SMD3, SME0 SME6, SNC, STC4, SWA4, SXB7, SXB9, SXE4, SXU, VN27, VXE7, VXE9, VXQ4
			-	1	1	-	-	-----	QAE4, QNE8, QWC4, QXS4, QZNH, QZX9, SXE8, SXU, VAA1, VAA8, VEP9 VKE4, VKX4, VNG1, VPE5, VPE9, VPX4, VPX9, VS49, VSD4, VSD7, VTH4 VWC9, VWT4, VXQ4
4	12216-ZE2-300	CLIP, VALVE GUIDE.....	-	-	-	1	-	-----	ED6, EDD2, VAA1, VPE5, VPX4, VWS, VZP9
5	12251-Z1C-801	GASKET, CYLINDER HEAD (THAI LEAKLESS)	1	1	1	1	1	-----	HA2, LKE, LX2, LXE4, LXQ4, PA2, PAE2, PXD8, QA4, QAE2, QAE4, QAE6 QC2, QE, QHB4, QKA4, QME0, QME2, QNE2, QNE6, QNE8, QNR2, QNR6, QWC4 QXB7, QXB9, QXC4, QXC6, QXCU, QXE4, QXE6, QXE7, QXE9, QXER, QXH9 QXS2, QXS4, QXUZ, SCK4, SHQ2, SM32, SMC1, SMC2, SMD3, SME0, SME6 SNC, STC4, SWA2, SWA4, SXB7, SXB9, SXE4, SXU, VA2, VC2N, VKX4, VM2 VN27, VNG1, VPX2, VPX4, VPX9, VSD7, VSD9, VXB7, VXB9, VXE2, VXE6 VXE7, VXE9, VXG, VXQ4
	12251-ZF6-W00	GASKET, CYLINDER HEAD.....	1	-	-	-	-	1360188 -----	LXE8, LXU, PXE8, PXU, QA2, QA26, QAA2, QAA6, QAW, QDW9, QK4, QTT QWA4, QWT2, QXC9, QXE8, QXQ4, QXU, SHQ4, SXE8, SXQ4, VX8, VXE8
	12251-Z1C-801	GASKET, CYLINDER HEAD (THAI LEAKLESS)	1	-	-	-	-	1360189 -----	LXE8, LXU, PXE8, PXU, QA2, QA26, QAA2, QAA6, QAW, QDW9, QK4, QTT QWA4, QWT2, QXC9, QXE8, QXQ4, QXU, SHQ4, SXE8, SXQ4, VX8, VXE8
	12251-Z5T-003	GASKET, CYLINDER HEAD (NIPPON LEAKLESS)	-	1	-	1	1		
	12251-Z1C-801	GASKET, CYLINDER HEAD (THAI LEAKLESS)	-	-	1	-	-		
6	12310-ZE2-020	COVER COMP., HEAD.....	1	1	1	-	1	-----	HA2, LFU, LKE, LX2, LXE4, LXE5, LXE8, LXQ4, LXU, PA2, PAE2, PKT, PXD8 PXE8, PXU, QA2, QA26, QA4, QAA2, QAA6, QAE2, QAE4, QAE6, QAW, QE QHB4, QK4, QKA4, QMAH, QME0, QME2, QNB2, QNE2, QNE6, QNE8, QNR2 QNR6, QNRV, QTT, QWA2, QWC, QXAC, QXB7, QXB9, QXE4, QXE6, QXE7, QXE8 QXE9, QXEM, QXER, QXH9, QXQ4, QXU, QXUM, QXUZ, QZA2, QZAV, QZC, QZD QZDS, QZHW, QZME, QZN2, QZND, QZNH, QZNR, QZRL, QZRV, QZX9, QZXR SCK4, SHQ2, SHQ4, SHQ5, SHQ6, SM32, SMC1, SMC2, SMD3, SME0, SME6 SMX2, STC4, SWA2, SWA4, SXB7, SXB9, SXBG, SXE4, SXE8, SXEM, SXQ4 SXU, SZEC, VA2, VAA1, VAA8, VAC2, VAG2, VC2, VC2N, VCN2, VD2, VDE2 VEP9, VK2, VKB2, VKE4, VKX4, VM2, VN27, VNG1, VPE5, VPE9, VPX2, VPX4 VPX9, VS49, VSB9, VSD4, VSD7, VSD9, VTH4, VWC, VWC9, VWE, VWT4, VX8 VXB7, VXB9, VXE2, VXE6, VXE7, VXE8, VXE9, VXG, VXQ4, VZS9, VZX7 VZX8



E-2

CYLINDER HEAD



E-15
E-15-1
E-15-2
E-15-3
E-15-4
E-15-5

Ref. No.	Part No.	Description	Reqd. QTY					Serial No.	Parts catalogue code
			GX 390 UT1	GX 390 UT2	GX 390 RT1	GX 390 RT2	GX 390 UT2X		
(6)	12310-ZE3-791	COVER COMP., HEAD (BREATHER TUBE JOINT)	1	1	-	-	1	-----	QC1, QC2, QC3, QC4, QC5, QC6, QC9, QCDW, QCE2, QCWT, QDW9, QWA4, QWC4, QWT2, QXC4, QXC6, QXC9, QXCU, QXS2, QXS4, SC1, SCC, SCM, SCM1, SCM2, SCM3, SCMV, SE1C, SE2C, SMSC, SMXC, SNC
	12310-ZE2-020	COVER COMP., HEAD	-	-	-	1	-	-----	ED6, EDD2, EDS6, EDT6, EZD2, EZDM, EZDS, EZDV, PXM8, QAGN, QNGN, SDQ5, SMES, SXS6, VAA1, VC2, VCF, VCT, VCT2, VEP9, VKE4, VKER, VKX4, VKXR, VPE5, VPE9, VPP9, VPX4, VPX9, VSD4, VWC, VWE, VWS, VWS1, VXF, VXG, VXT, VZC2, VZP9, VZWE, VZXZ
	12310-Z5T-000	COVER, CYLINDER HEAD	-	-	-	1	-	1073029	QNB2, QTT, QWA2, VAG2, VDE2, VK2, VKB2, VWC9, VWT4
	12310-ZE2-020	COVER COMP., HEAD	-	-	-	1	-	1073030	QNB2, QTT, QWA2, VAG2, VDE2, VK2, VKB2, VWC9, VWT4
7	12391-ZE2-020	PACKING, HEAD COVER	1	1	1	1	1		
8	90014-ZE2-000	BOLT, HEAD COVER	1	-	1	-	-		
	90014-Z5T-000	-	1	-	1	1		
9	90042-ZE8-000	BOLT, STUD, 8X131.5	2	2	2	2	2	-----	HA2, LKE, LX2, LXE4, LXE5, LXE8, LXQ4, LXU, PA2, PAE2, PKT, PXD8, PXE8, PXM8, PXU, QA2, QA26, QA4, QAA2, QAA6, QAE2, QAE4, QAE6, QAGN, QAW, QC1, QC2, QC3, QC4, QC5, QC6, QC9, QCDW, QCE2, QCWT, QDW9, QE, QHB4, QK4, QKA4, QMAH, QME0, QME2, QNB2, QNE2, QNE6, QNE8, QNGN, QNR2, QNR6, QNRV, QTT, QWA2, QWA4, QWC, QWC4, QWT2, QXAC, QXB7, QXB9, QXC4, QXC6, QXC9, QXCU, QXE4, QXE6, QXE7, QXE8, QXE9, QXEM, QXER, QXH9, QXQ4, QXS2, QXS4, QXU, QXUM, QXUZ, QZA2, QZAV, QZC, QZD, QZDS, QZHW, QZME, QZN2, QZND, QZNH, QZNR, QZRL, QZRV, QZX9, QZXR, SC1, SCC, SCK4, SCM, SCM1, SCM2, SCM3, SCMV, SDQ5, SE1C, SE2C, SHQ2, SHQ4, SHQ5, SHQ6, SM32, SMC1, SMC2, SMD3, SME0, SME6, SMES, SMSC, SMX2, SMXC, SNC, STC4, SWA2, SWA4, SXB7, SXB9, SXBG, SXE4, SXE8, SXEM, SXQ4, SXU, SZEC, VA2, VAC2, VAG2, VCN2, VD2, VDE2, VK2, VKB2, VM2, VN27, VNG1, VSB9, VSD7, VSD9, VWC9, VWT4, VX8, VXB7, VXB9, VXE2, VXE6, VXE7, VXE8, VXE9, VXQ4, VZS9, VZX7, VZX8
	90042-ZE3-700	BOLT, STUD, 8X106	2	-	2	-	-	-----	VAA1, VAA8, VC2, VC2N, VEP9, VKE4, VKX4, VPE5, VPE9, VPX2, VPX4, VPX9, VS49, VSD4, VTH4, VWC, VWE, VXG

E-2

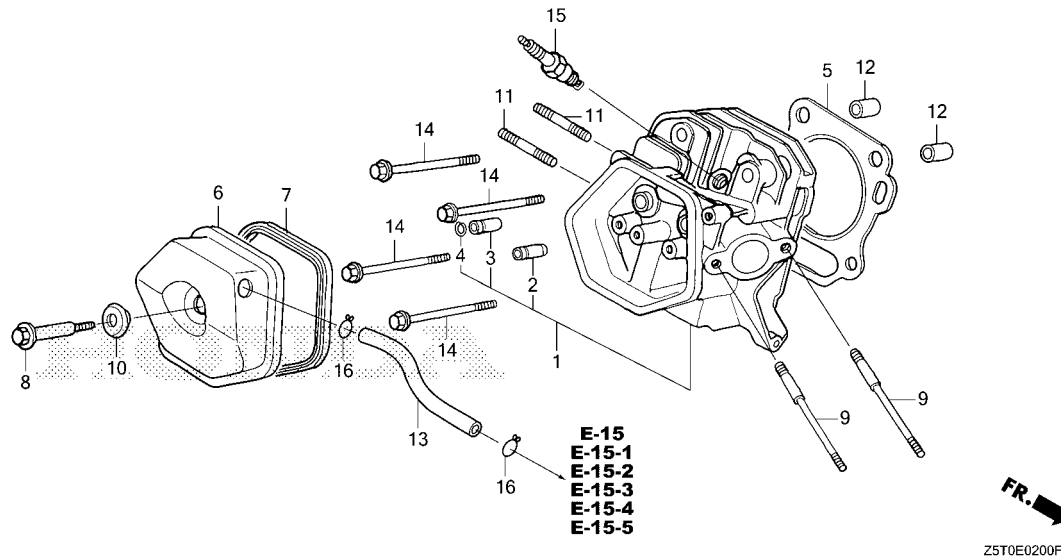
CYLINDER HEAD

Ref. No.	Part No.	Description	Reqd. QTY					Serial No.	Parts catalogue code
			GX 390 UT1	GX 390 UT2	GX 390 RT1	GX 390 RT2	GX 390 UT2X		
(9)	90042-ZK6-D70	BOLT, STUD, 8X115	-	2	-	2	2	-----	ED6, EDD2, EDS6, EDT6, EZD2, EZDM, EZDS, EZDV, LFU, SXS6, VAA1, VC2 VCF, VCT, VCT2, VEP9, VKE4, VKER, VKX4, VKXR, VPE5, VPE9, VPP9, VPX4 VPX9, VSD4, VWC, VWE, VWS, VWS1, VXF, VXG, VXT, VZC2, VZP9, VZVE VZXZ
10	90441-ZE2-010	WASHER COMP., HEAD COVER	1	1	1	1	1		
11	92900-08032-0E	BOLT, STUD, 8X32	2	2	2	2	2	-----	ED6, EDD2, EDS6, EDT6, EZD2, EZDM, EZDS, EZDV, HA2, LFU, LKE, LX2 LXE4, LXE5, LXE8, LXQ4, LXU, PA2, PAE2, PKT, PXD8, PXE8, PXM8, PXU QA2, QA26, QA4, QAA2, QAA6, QAE2, QAE4, QAE6, QAGN, QAW, QC1, QC2 QC3, QC4, QC5, QC6, QC9, QCDW, QCE2, QCWT, QDW9, QE, QHB4, QK4, QKA4 QMAH, QME0, QME2, QNB2, QNE2, QNE6, QNE8, QNGN, QNR2, QNR6, QNRV QTT, QWA2, QWA4, QWC, QWC4, QWT2, QXB7, QXB9, QXC4, QXC6, QXC9, QXCU QXE4, QXE6, QXE7, QXE8, QXE9, QXEM, QXER, QXH9, QXQ4, QXS2, QXS4 QXU, QXUM, QXUZ, QZA2, QZAV, QZC, QZD, QZDS, QZHW, QZME, QZN2, QZND QZNH, QZNR, QZRL, QZRV, QZX9, QZXR, SC1, SCC, SCK4, SCM, SCM1, SCM2 SCM3, SCMV, SDQ5, SE1C, SE2C, SHQ2, SHQ4, SHQ5, SHQ6, SM32, SMC1 SMC2, SMD3, SME0, SME6, SMES, SMSC, SMX2, SMXC, SNC, STC4, SWA2 SWA4, SXB7, SXB9, SXBG, SXE4, SXE8, SXEM, SXQ4, SXU, SZEC, VA2 VAA1, VAA8, VAC2, VAG2, VC2, VC2N, VCF, VCN2, VCT, VCT2, VD2, VDE2 VK2, VKB2, VKE4, VKER, VKX4, VKXR, VM2, VN27, VNG1, VPX2, VPX4, VSA9 VSB9, VSD4, VSD7, VSD9, VTH4, VWC9, VWS1, VWT4, VX8, VXB7, VXC9 VXE2, VXE6, VXE7, VXE8, VXE9, VXF, VXG, VXQ4, VXT, VZC2, VZS9, VZX7 VZX8
	90018-ZK6-P10	BOLT, STUD, 8X22	2	-	2	2	-	-----	VEP9, VPE5, VPE9, VPP9, VPX9, VWS, VZP9, VZXZ
	90047-ZE3-791	BOLT, STUD, 8X25	-	-	2	2	-	-----	VWC, VWE, VZVE
12	94301-12200	DOWEL PIN, 12X20	2	2	2	2	2		
13	12315-ZE3-840	TUBE, BREATHER	1	1	-	-	1	-----	QC1, QC2, QC3, QC4, QC5, QC6, QC9, QCDW, QCE2, QCWT, QDW9, QWA4, QWC4 QWT2, QXC4, QXC6, QXC9, QXCU, QXS2, QXS4, SC1, SCC, SCM, SCM1, SCM2 SCM3, SCMV, SE1C, SE2C, SMSC, SMXC, SNC
	95005-11105-30	TUBE, 11X105(95005-11001-30M)	1	-	1	-	-	-----	HA2, LKE, LX2, LXE4, LXE8, LXQ4, LXU, PA2, PAE2, PXD8, PXE8, PXU, QA2 QA26, QA4, QAA2, QAA6, QAE2, QAE4, QAE6, QAW, QE, QHB4, QK4, QKA4 QME0, QME2, QNB2, QNE2, QNE6, QNE8, QNR2, QNR6, QTT, QWA2, QXB7 QXB9, QXE4, QXE6, QXE7, QXE8, QXE9, QXER, QXH9, QXQ4, QXU, QXUZ SCK4, SHQ2, SHQ4, SM32, SMC1, SMC2, SMD3, SME0, SME6, STC4, SWA2 SWA4, SXB7, SXB9, SXE4, SXE8, SXQ4, SXU, VA2, VAC2, VAG2, VCN2, VD2 VDE2, VK2, VKB2, VM2, VN27, VNG1, VSD7, VSD9, VWC9, VWT4, VX8, VXB7 VXB9, VXE2, VXE6, VXE7, VXE8, VXE9, VXQ4
	15721-ZB4-000	TUBE, BREATHER	1	-	1	-	-	-----	VAA1, VAA8, VC2, VC2N, VEP9, VKE4, VKX4, VPE5, VPE9, VPX2, VPX4 VPX9, VSA9, VSD4, VTH4, VWC, VWE, VXG
	15721-Z23-H60	-	1	-	1	1	-----	ED6, EDD2, EDS6, EDT6, LFU, SXS6, VAA1, VC2, VCF, VCT, VCT2, VEP9 VKE4, VKER, VKX4, VKXR, VPE5, VPE9, VPP9, VPX4, VPX9, VSD4, VWC, VWE VWS, VWS1, VXF, VXG, VXT
	12357-Z5T-020	-	1	-	1	-	-----	LXE5, PKT, PXM8, QAGN, QMAH, QNGN, QNRV, QWC, QXAC, QXEM, QXUM, QZC QZD, QZDS, QZHW, QZME, QZND, QZNH, QZRL, QZRV, SDQ5, SHQ6, SMES SMX2, SXBG, SXEM, SZEC, VSB9, VZS9
	12357-Z5T-010	-	1	-	1	-	-----	1084959 HA2, LKE, LX2, LXE4, LXE8, LXQ4, LXU, PA2, PAE2, PXD8, PXE8, PXU, QA2 QA26, QA4, QAA2, QAA6, QAE2, QAE4, QAE6, QE, QHB4, QK4, QKA4, QME0 QNB2, QNE2, QNE8, QNR2, QNR6, QTT, QWA2, QXB7, QXB9, QXE4, QXE6 QXE7, QXE8, QXE9, QXER, QXQ4, QXU, QXUZ, QZA2, QZAV, QZN2, QZNR QZX9, QZXR, SCK4, SHQ4, SHQ5, SM32, SMC1, SMD3, SME0, SME6, STC4 SWA4, SXB7, SXE4, SXE8, SXQ4, SXU, VA2, VAG2, VDE2, VK2, VKB2, VM2 VN27, VSD7, VSD9, VWC9, VWT4, VX8, VXB7, VXC9, VXE2, VXE7, VXE8 VXE9, VXQ4, VZX7, VZX8



E-2

CYLINDER HEAD



E-15
E-15-1
E-15-2
E-15-3
E-15-4
E-15-5

Ref. No.	Part No.	Description	Reqd. QTY					Serial No.	Parts catalogue code
			GX 390 UT1	GX 390 UT2	GX 390 RT1	GX 390 RT2	GX 390 UT2X		
13)	12357-Z5T-020	TUBE, BREATHER	-	1	-	1	-	1084960 -----	HA2, LKE, LX2, LXE4, LXE8, LXQ4, LXU, PA2, PAE2, PXD8, PXE8, PXU, QA2, QA26, QA4, QAA2, QAA6, QAE2, QAE4, QAE6, QE, QHB4, QK4, QKA4, QME0, QNB2, QNE2, QNE8, QNR2, QNR6, QTT, QWA2, QXB7, QXB9, QXE4, QXE6, QXE7, QXE8, QXE9, QXER, QXQ4, QXU, QXUZ, QZA2, QZAV, QZN2, QZNR, QZX9, QZXR, SCK4, SHQ4, SHQ5, SM32, SMC1, SMD3, SME0, SME6, STC4, SWA4, SXB7, SXE4, SXE8, SXQ4, SXU, VA2, VAG2, VDE2, VK2, VKB2, VM2, VN27, VSD7, VSD9, VWC9, VWT4, VX8, VXB7, VXB9, VXE2, VXE7, VXE8, VXE9, VXQ4, VZX7, VZX8
	15721-ZBH-W00	-	-	-	1	-	-----	EZD2, EZDM, EZDS, EZDV, VZC2, VZP9, VZWE, VZXZ
	12357-Z5T-020	-	-	-	-	1	-----	HA2, LKE, LX2, LXE4, LXE5, LXE8, LXQ4, LXU, PA2, PAE2, PKT, PXD8, PXE8, PXU, QA2, QA4, QAA2, QAE2, QE, QHB4, QK4, QKA4, QMAH, QME0, QNE2, QNR2, QNRV, QWC, QXAC, QXB7, QXB9, QXE4, QXE6, QXE7, QXE8, QXE9, QXEM, QXER, QXQ4, QXU, QXUM, QXUZ, QZA2, QZAV, QZD, QZHW, QZN2, QZNR, QZRL, QZXR, SCK4, SHQ4, SHQ5, SHQ6, SM32, SMC1, SMD3, SME0, SME6, SMX2, STC4, SWA4, SXB7, SXBG, SXE4, SXEM, SXQ4, VN27, VSB9, VSD9, VX8, VXB7, VXB9, VXE2, VXE7, VXE8, VXE9, VZX7, VZX8
14	95701-10080-00	BOLT, FLANGE, 10X80	4	4	4	4	4		

E-2

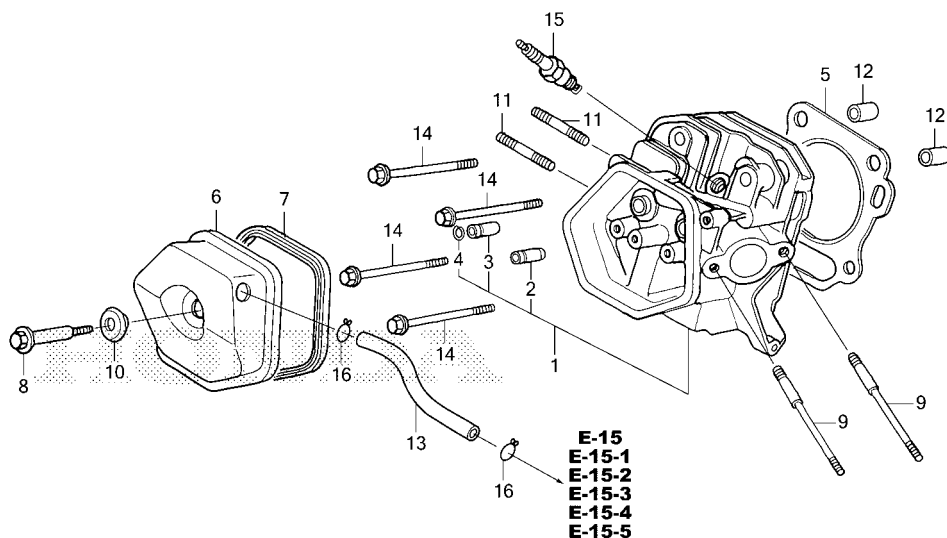
CYLINDER HEAD

Ref. No.	Part No.	Description	Reqd. QTY					Serial No.	Parts catalogue code
			GX 390 UT1	GX 390 UT2	GX 390 RT1	GX 390 RT2	GX 390 UT2X		
15	98079-56876	PLUG, SPARK(BPR6ES)(NGK).....	1	1	1	1	1	HA2, LFU, LKE, LX2, LXE4, LXE5, LXE8, LXQ4, LXU, PA2, PAE2, PKT, PXD8 PXE8, PXM8, PXU, QA2, QA26, QA4, QAA2, QAA6, QAE2, QAE4, QAE6, QAGN QAW, QC1, QC2, QC3, QC4, QC5, QC6, QC9, QCDW, QCE2, QCWT, QDW9, QE QHB4, QK4, QKA4, QMAH, QME0, QME2, QNB2, QNE2, QNE6, QNE8, QNGN QNR2, QNR6, QNRV, QTT, QWA2, QWA4, QWC, QWC4, QWT2, QXAC, QXB7, QXB9 QXC4, QXC6, QXC9, QXCU, QXE4, QXE6, QXE7, QXE8, QXE9, QXEM, QXER QXH9, QXQ4, QXS2, QXS4, QXU, QXUM, QXUZ, QZA2, QZAV, QZC, QZD, QZDS QZHW, QZME, QZN2, QZND, QZNH, QZNR, QZRL, QZRV, QZX9, QZXR, SC1, SCC SCK4, SCM, SCM1, SCM2, SCM3, SCMV, SDQ5, SE1C, SE2C, SHQ2, SHQ4 SHQ5, SHQ6, SM32, SMC1, SMC2, SMD3, SME0, SME6, SMES, SMSC, SMX2 SMXC, SNC, STC4, SWA2, SWA4, SXB7, SXB9, SXBG, SXE4, SXE8, SXEM SXQ4, SXU, SZEC, VA2, VAC2, VAG2, VC2, VC2N, VCF, VCN2, VCT, VCT2 VD2, VDE2, VEP9, VK2, VKB2, VKE4, VKER, VKX4, VKXR, VM2, VN27, VNG1 VPE5, VPE9, VPP9, VPX2, VPX4, VPX9, VS49, VSB9, VSD4, VSD7, VSD9 VTH4, VWC9, VWT4, VX8, VXB7, VXB9, VXE2, VXE6, VXE7, VXE8, VXE9, VXF VXG, VXQ4, VXT, VZC2, VZP9, VZS9, VZX7, VZX8, VZXZ	
	98079-55841	PLUG, SPARK(BP5ES)(NGK).....	(1)	(1)	-	-	(1)	SMD3	
	98079-55846	PLUG, SPARK(BPR5ES)(NGK).....	(1)	-	(1)	-	-	HA2, LKE, LX2, LXE4, LXQ4, PA2, PAE2, QAE2, QAE4, QAE6, QC2, QE, QHB4 QKA4, QME0, QME2, QNB2, QNE2, QNE6, QNE8, QNR2, QNR6, QWA2, QWC4 QXB7, QXB9, QXC4, QXC6, QXE4, QXE6, QXE7, QXE9, QXH9, QXS2, QXS4 SCK4, SM32, SMC1, SMC2, SMD3, SME0, SME6, SNC, STC4, SWA2, SWA4 SXB7, SXB9, SXE4, SXU, VA2, VAA1, VAA8, VAC2, VAG2, VC2, VC2N, VCN2 VD2, VDE2, VEP9, VK2, VKB2, VKE4, VM2, VN27, VPE5, VPE9, VS49, VSD4 VTH4, VWC9, VWT4, VXE2, VXE6, VXE7, VXE9, VXQ4	
	98079-55855	PLUG, SPARK(W16EPR-U)(DENSO)·	(1)	-	(1)	-	-	LKE, LX2, LXE4, LXQ4, PA2, PAE2, QAE2, QAE4, QAE6, QC2, QE, QHB4 QKA4, QME0, QME2, QNB2, QNE2, QNE6, QNE8, QNR2, QNR6, QWA2, QWC4 QXB7, QXB9, QXC4, QXC6, QXE4, QXE6, QXE7, QXE9, QXH9, QXS2, QXS4 SCK4, SM32, SMC1, SMC2, SMD3, SME0, SME6, SNC, STC4, SWA2, SWA4 SXB7, SXB9, SXE4, SXU, VA2, VAA1, VAA8, VAC2, VAG2, VC2, VC2N, VCN2 VD2, VDE2, VEP9, VK2, VKB2, VKE4, VM2, VN27, VPE5, VPE9, VS49, VSD4 VTH4, VWC9, VWT4, VXE2, VXE6, VXE7, VXE9, VXQ4	
	98079-55876	PLUG, SPARK(BPR5ES)(NGK).....	(1)	-	(1)	-	-	LXE8, LXU, PXD8, PXE8, PXU, QA2, QA26, QA4, QAA2, QAA6, QAW, QDW9 QK4, QTT, QWA4, QWT2, QXC9, QXCU, QXE8, QXER, QXQ4, QXU, QXUZ, SHQ2 SHQ4, SXE8, SXQ4, VAA1, VAA8, VWC, VWE, VX8, VXE8	
	98079-56855	PLUG, SPARK(W20EPR-U)(DENSO)·	-	1	-	1	1	PXM8, QC9, SCM, SCM3, SE1C, SE2C, SMX2, SMXC	
	98079-55876	PLUG, SPARK(BPR5ES)(NGK).....	-	(1)	-	-	(1)	HA2, LFU, LKE, LX2, LXE4, LXE5, LXE8, LXQ4, LXU, PA2, PAE2, PKT, PXD8 PXE8, PXU, QA2, QA26, QA4, QAA2, QAA6, QAE2, QAE4, QAE6, QC1, QC2 QC3, QC4, QC5, QC6, QC9, QCDW, QCE2, QCWT, QDW9, QE, QHB4, QK4, QKA4 QMAH, QME0, QNE2, QNE8, QNR2, QNR6, QNRV, QWA4, QWC, QWC4, QWT2, QXAC, QXB7, QXB9, QXC4, QXC6, QXC9, QXCU, QXE4, QXE6, QXE7, QXE8 QXE9, QXEM, QXER, QXQ4, QXS4, QXU, QXUM, QXUZ, QZA2, QZAV, QZC, QZD QZDS, QZHW, QZME, QZN2, QZND, QZNH, QZNR, QZRL, QZRV, QZX9, QZXR SC1, SCC, SCK4, SCM, SCM1, SCM2, SCM3, SCMV, SE1C, SE2C, SHQ4, SHQ5 SHQ6, SM32, SMC1, SMD3, SME0, SME6, SMSC, SMX2, SMXC, SNC, STC4 SWA4, SXB7, SXBG, SXE4, SXE8, SXEM, SXQ4, SXU, SZEC, VA2, VM2, VN27 VX8, VXE2, VXE7, VXE8, VXE9, VXQ4, VZS9, VZX7, VZX8	
	98079-55846	-	(1)	-	-	(1)	HA2, LFU, LKE, LX2, LXE4, LXE5, LXE8, LXQ4, LXU, PA2, PAE2, PKT, PXD8 PXE8, PXU, QA2, QA26, QA4, QAA2, QAA6, QAE2, QAE4, QAE6, QC1, QC2 QC3, QC4, QC5, QC6, QCDW, QCE2, QCWT, QDW9, QE, QHB4, QK4, QKA4, QMAH QME0, QNE2, QNE8, QNR2, QNR6, QNRV, QWA4, QWC, QWC4, QWT2, QXAC QXB7, QXB9, QXC4, QXC6, QXC9, QXCU, QXE4, QXE6, QXE7, QXE8, QXE9 QXEM, QXER, QXQ4, QXS4, QXU, QXUM, QXUZ, QZA2, QZAV, QZC, QZD, QZDS QZME, QZN2, QZND, QZNR, QZRV, QZX9, QZXR, SC1, SCC, SCK4, SCM1, SCM2 SCMV, SE1C, SE2C, SHQ4, SHQ5, SHQ6, SM32, SMC1, SMD3, SME0, SME6 SMSC, SNC, STC4, SWA4, SXB7, SXBG, SXE4, SXE8, SXEM, SXQ4, SXU, SZEC VA2, VM2, VN27, VX8, VXE2, VXE7, VXE8, VXE9, VXQ4, VZS9, VZX7, VZX8	



E-2

CYLINDER HEAD

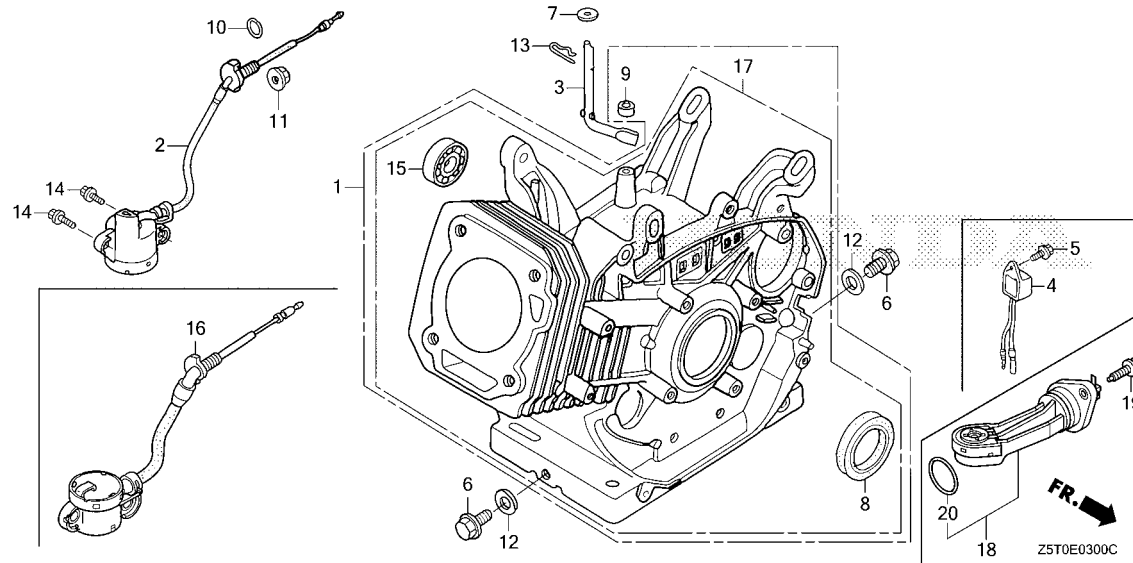


Z5T0E0200F

Ref. No.	Part No.	Description	Reqd. QTY					Serial No.	Parts catalogue code
			GX 390 UT1	GX 390 UT2	GX 390 RT1	GX 390 RT2	GX 390 UT2X		
15)	98079-55855	PLUG, SPARK(W16EPR-U)(DENSO) ·	-	(1)	-	-	(1)	LFU, LKE, LX2, LXE4, LXE5, LXE8, LXQ4, LXU, PA2, PAE2, PKT, PXD8 PXE8, PXU, QA2, QA26, QA4, QAA2, QAA6, QAE2, QAE4, QAE6, QC1, QC2 QC3, QC4, QC5, QC6, QC9, QCDW, QCE2, QCWT, QDW9, QE, QHB4, QK4, QKA4 QMAH, QME0, QNE2, QNE8, QNR2, QNR6, QNRV, QWA4, QWC, QWC4, QWT2 QXAC, QXB7, QXB9, QXC4, QXC6, QXC9, QXCU, QXE4, QXE6, QXE7, QXE8 QXE9, QXEM, QXER, QXQ4, QXS4, QXU, QXUM, QXUZ, QZA2, QZAV, QZC, QZD QZDS, QZHW, QZME, QZN2, QZND, QZNH, QZNR, QZRL, QZRV, QZX9, QZXR SC1, SCC, SCK4, SCM, SCM1, SCM2, SCM3, SCMV, SE1C, SE2C, SHQ4, SHQ5 SHQ6, SM32, SMC1, SMD3, SME0, SME6, SMSC, SMX2, SMXC, SNC, STC4 SWA4, SXB7, SXBG, SXE4, SXE8, SXEM, SXQ4, SXU, SZEC, VA2, VM2, VN27 VX8, VXE2, VXE7, VXE8, VXE9, VXQ4, VZS9, VZX7, VZX8	
	98079-55876	PLUG, SPARK(BPR5ES)(NGK) ·····	-	-	1	1	-	ED6, EDD2, EDS6, EDT6, EZD2, EZDM, EZDS, EZDV, SXS6, VAA1, VAA8, VVC VWE, VWS, VWS1, VZWE	
	98079-55855	PLUG, SPARK(W16EPR-U)(DENSO) ·	-	-	1	1	-	ED6, EDD2, EDS6, EDT6, EZD2, EZDM, EZDS, EZDV, VAA1, VAA8, VVC, VWE VWS, VZWE	
			-	-	-	(1)	-	PXM8, QAGN, QNB2, QNGN, QTT, QWA2, SDQ5, SMES, VAA1, VAG2, VC2, VCF VCT, VCT2, VDE2, VEP9, VK2, VKB2, VKE4, VKER, VPE5, VPE9, VPP9, VSD4 WVC9, VWT4, VZC2, VZP9, VZXZ	
	98079-55876	PLUG, SPARK(BPR5ES)(NGK) ·····	-	-	-	(1)	-	PXM8, QAGN, QNB2, QNGN, QTT, QWA2, SDQ5, SMES, VAA1, VAG2, VC2, VCF VCT, VCT2, VDE2, VEP9, VK2, VKB2, VKE4, VKER, VPE5, VPE9, VPP9, VSD4 WVC9, VWT4, VZC2, VZP9, VZXZ	
	98079-55846	··········	-	-	-	(1)	-	QAGN, QNB2, QNGN, QTT, QWA2, SDQ5, SMES, VAA1, VAG2, VC2, VCF, VCT VCT2, VDE2, VEP9, VK2, VKB2, VKE4, VKER, VPE5, VPE9, VPP9, VSD4 WVC9, VWT4, VZC2, VZP9, VZXZ	
16	17316-611-000	CLIP, BREATHER TUBE ·······	2	2	-	-	2	QC1, QC2, QC3, QC4, QC5, QC6, QC9, QCDW, QCE2, QCWT, QDW9, QWA4, QWC4 QWT2, QXC4, QXC6, QXC9, QXCU, QXS2, QXS4, SC1, SCC, SCM, SCM1, SCM2 SCM3, SCMV, SE1C, SE2C, SMSC, SMXC, SNC	

E-3

CYLINDER BARREL



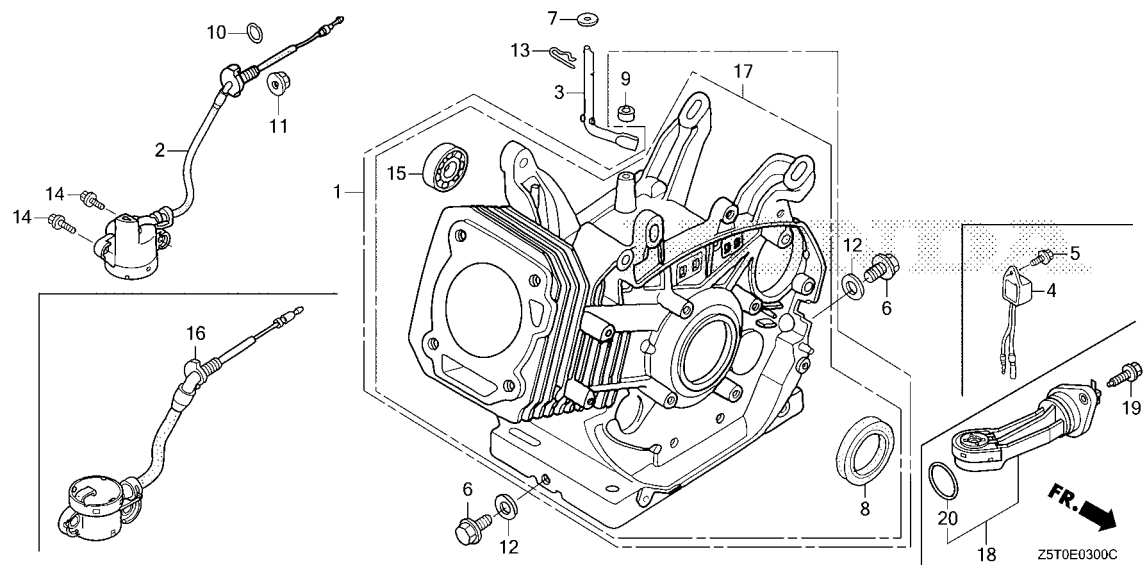
Ref. No. L.O.N. (Relative ref. Number) Description F.R.T.

Ref. No.	Part No.	Description	Reqd. QTY					Serial No.	Parts catalogue code
			GX 390 UT1	GX 390 UT2	GX 390 RT1	GX 390 RT2	GX 390 UT2X		
1	12000-ZF6-417	BARREL ASSY., CYLINDER(ALERT)	1	-	1	-	-	HA2, LX2, LXQ4, PA2, QWC4, QXB7, QXB9, QXC4, QXC6, QXS4, SMD3, SME6, SNC, SWA4, SXB7, SXB9, SXU, VA2, VAG2, VD2, VEP9, VM2, VWC, VWC9, VXQ4	
	12000-ZF6-435	BARREL ASSY., CYLINDER (SELFSTARTER+ALERT)	1	-	1	-	-	LKE, LXE4, PAE2, QAE2, QAE6, QC2, QKA4, QME0, QNB2, QNE2, QNE6, QNE8, QNR2, QNR6, QXE4, QXE6, QXE7, QXE9, QXH9, SCK4, SM32, SME0, STC4, SXE4, VC2, VC2N, VCN2, VDE2, VK2, VKB2, VKE4, VN27, VPE5, VPE9, VS49, VSD4, VTH4, VWE, VWT4, VXE2, VXE6, VXE7, VXE9	
	12000-Z1C-405	1	-	1	-	-	LXE8, PXD8, PXE8, QAE4, QME2, QXE8, QXER, SXE8, VAA8, VXE8	
	12000-Z1C-407	BARREL ASSY., CYLINDER(ALERT)	1	-	1	-	-	LXU, PXU, QA2, QA26, QA4, QAA2, QAA6, QAW, QDW9, QK4, QTT, QWA2, QWA4, QWT2, QXC9, QXCU, QXQ4, QXS2, QXU, QXUZ, SWA2, SXQ4, VAA1, VAC2, VKX4, VNG1, VPX2, VPX4, VPX9, VSD7, VSD9, VX8, VXB7, VXB9, VXG	
	12000-ZF6-416	BARREL ASSY., CYLINDER.....	1	-	-	-	-	QE, QHB4, SMC1	
	12000-Z1C-406	1	-	-	-	-	SHQ2, SHQ4, SMC2	
	12000-Z5T-407	BARREL ASSY., CYLINDER(ALERT)	-	1	-	1	-	ED6, QA26, QAA6, QDW9, QWA2, QWC4, QXC6, QXS4, SMXC, SXU, VA2, VAA1, VAG2, VM2, VPX4, VSD7, VWS, VXQ4	
	12000-Z5T-405	BARREL ASSY., CYLINDER (SELFSTARTER+ALERT)	-	1	-	1	-	EDD2, QAE4, QAE6, QKA4, QNE8, QNR6, SMSC, SXE8, VK2, VKB2, VPE5, QAGN, QNRV, SCM3, SXBG, SXS6, VCF	
	12000-Z5T-415	-	1	-	1	-	VSB9, VXF	
	12000-Z5T-417	BARREL ASSY., CYLINDER(ALERT)	-	1	-	1	-	3364589 QE, QHB4, SDQ5, SHQ4, SHQ5, SHQ6, SMC1	
	12000-Z5T-406	BARREL ASSY., CYLINDER.....	-	1	-	1	-	3376768 LFU, SCC, SMES	
	12000-Z5T-408	-	1	-	1	-	3364590 QE, QHB4, SDQ5, SHQ4, SHQ5, SHQ6, SMC1	
	12000-Z5T-416	-	1	-	1	-	3376769 LFU, SCC, SMES	
	12000-Z5T-418	-	1	-	1	-	3357587 HA2, LX2, LXQ4, LXU, PA2, PKT, PXU, QA2, QA4, QAA2, QC1, QC3, QC4, QC5, QC6, QC9, QCDW, QCWT, QK4, QWC, QXAC, QXB7, QXB9, QXQ4, QXU, QXUM, QXUZ, SC1, SCM, SMD3, SME6, SMX2, SWA4, SXB7, SXQ4, VSD9, VX8, VXB7, VXB9	
	12000-Z5T-407	BARREL ASSY., CYLINDER(ALERT)	-	1	-	-	-	3357588 QWA4, QWT2, QXC4, QXC9, QXCU, SNC	



E-3

CYLINDER BARREL



Ref. No.	Part No.	Description	Reqd. QTY					Serial No.	Parts catalogue code
			GX 390 UT1	GX 390 UT2	GX 390 RT1	GX 390 RT2	GX 390 UT2X		
(1)	12000-Z5T-405	BARREL ASSY., CYLINDER (SELFSTARTER+ALERT)	-	1	-	-	-	3358242	LKE, LXE4, LXE5, LXE8, PAE2, PXD8, PXE8, QAE2, QC2, QCE2, QMAH, QME0 QNE2, QNR2, QXE4, QXE6, QXE7, QXE8, QXE9, QXEM, QXER, SCK4, SCM1 SCM2, SM32, SME0, STC4, SXE4, SXEM, VN27, VXE2, VXE7, VXE8, VXE9
	12000-Z5T-417	BARREL ASSY., CYLINDER(ALERT)	-	1	-	-	-	3357588	HA2, LX2, LXQ4, LXU, PA2, PKT, PXU, QA2, QA4, QAA2, QC1, QC3, QC4, QC5 QC6, QC9, QCDW, QCWT, QK4, QWC, QXAC, QXB7, QXB9, QXQ4, QXU, QXUM QXUZ, SC1, SCM, SMD3, SME6, SMX2, SWA4, SXB7, SXQ4, VSD9, VX8, VXB7 VXB9
	12000-Z5T-415	BARREL ASSY., CYLINDER (SELFSTARTER+ALERT)	-	1	-	-	-	3357589	QWA4, QWT2, QXC4, QXC9, QXCU, SNC
	12000-Z5T-405	-	-	-	1	-	3358243	LKE, LXE4, LXE5, LXE8, PAE2, PXD8, PXE8, QAE2, QC2, QCE2, QMAH, QME0 QNE2, QNR2, QXE4, QXE6, QXE7, QXE8, QXE9, QXEM, QXER, SCK4, SCM1 SCM2, SM32, SME0, STC4, SXE4, SXEM, VN27, VXE2, VXE7, VXE8, VXE9
	12000-Z5T-407	BARREL ASSY., CYLINDER(ALERT)	-	-	-	1	-	3359807	EDS6, PXM8, QNB2, QNGN, VC2, VCT, VCT2, VDE2, VKE4, VKER, VPE9, VPP9 VSD4, VWE, VWT4
	12000-Z5T-415	BARREL ASSY., CYLINDER (SELFSTARTER+ALERT)	-	-	-	1	-	3364583	EDT6, QTT, VEP9, VKX4, VKXR, VPX9, VWC, VWC9, VWS1, VXG, VXT
	12000-Z5T-417	BARREL ASSY., CYLINDER(ALERT)	-	-	-	1	-	3359808	EDS6, PXM8, QNB2, QNGN, VC2, VCT, VCT2, VDE2, VKE4, VKER, VPE9, VPP9 VSD4, VWE, VWT4
	12000-Z5T-417	BARREL ASSY., CYLINDER(ALERT)	-	-	-	1	-	3364584	EDT6, QTT, VEP9, VKX4, VKXR, VPX9, VWC, VWC9, VWS1, VXG, VXT
	12000-Z5T-418	BARREL ASSY., CYLINDER.....	-	-	-	1	-	-----	HA2, LX2, LXQ4, LXU, PA2, PKT, PXU, QA2, QA4, QAA2, QC1, QC3, QC5, QC6 QC9, QCDW, QCWT, QK4, QWC, QXAC, QXB7, QXB9, QXQ4, QXU, QXUM, QXUZ SC1, SCM, SMD3, SME6, SMX2, SWA4, SXB7, SXQ4, VSB9, VSD9, VX8, VXB7 VXB9
	12000-Z5T-418	BARREL ASSY., CYLINDER.....	-	-	-	1	-	-----	LFU, SCC

E-3

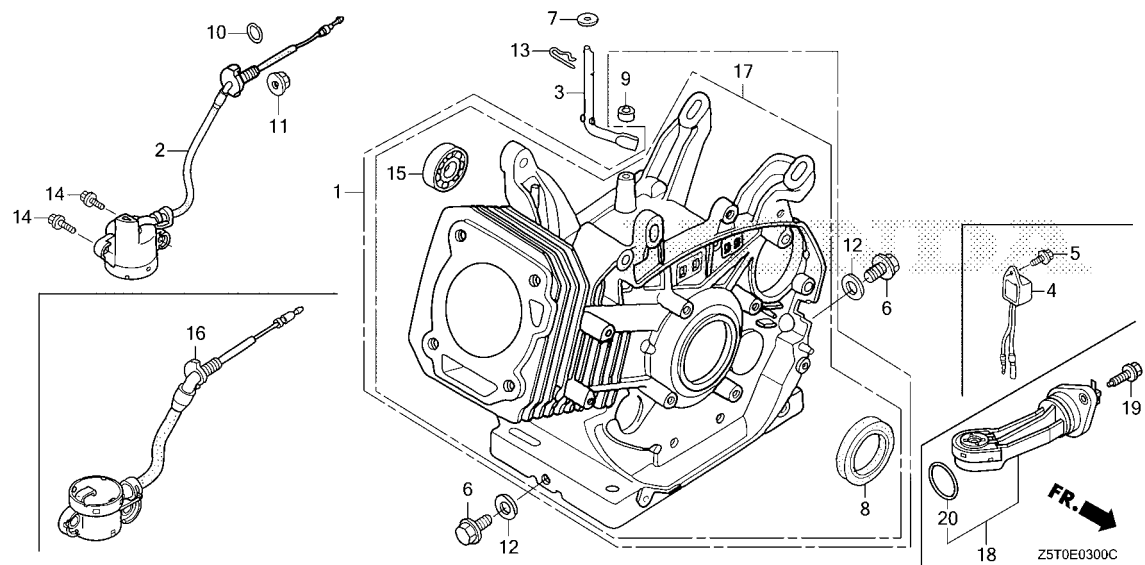
CYLINDER BARREL

Ref. No.	Part No.	Description	Reqd. QTY					Serial No.	Parts catalogue code
			GX 390 UT1	GX 390 UT2	GX 390 RT1	GX 390 RT2	GX 390 UT2X		
(1)	12000-Z5T-415	BARREL ASSY., CYLINDER (SELFSTARTER+ALERT)	-	-	-	-	1	-----	LKE, LXE4, LXE5, LXE8, PAE2, PXD8, PXE8, QAE2, QCE2, QKA4, QMAH QME0, QNE2, QNR2, QNRV, QXE4, QXE6, QXE7, QXE8, QXE9, QXEM, QXER SCK4, SCM1, SCM3, SE2C, SM32, SME0, STC4, SXBG, SXE4, SXEM, VN27 VXE2, VXE7, VXE8, VXE9
	12000-Z5T-416	BARREL ASSY., CYLINDER.....	-	-	-	-	1	-----	QE, QHB4, SCMV, SE1C, SHQ4, SHQ5, SHQ6, SMC1
2	15510-ZE2-043	SWITCH ASSY., OIL LEVEL.....	1	-	-	-	-	----- 1495141	LXE8, LXU, PXE8, PXU, QA2, QA26, QAA2, QAA6, QAW, QDW9, QK4, QTT QWA4, QWT2, QXC9, QXE8, QXQ4, QXU, SXE8, SXQ4, VX8, VXE8
	15510-ZE2-053	1	-	-	-	-	----- 1523883	LKE, LXE4, PAE2, QAE2, QAE4, QAE6, QKA4, QME0, QME2, QNE2, QNE6 QNE8, QNR2, QNR6, QXE4, QXE6, QXE7, QXE9, QXH9, SCK4, SM32, SME0 STC4, SXE4, VN27, VXE2, VXE6, VXE7, VXE9
3	16541-ZE3-010	SHAFT, GOVERNOR ARM.....	1	1	1	1	1	-----	ED6, EDD2, EDS6, EDT6, HA2, LFU, LKE, LX2, LXE4, LXE5, LXE8, LXQ4 LXU, PA2, PAE2, PKT, PXD8, PXE8, PXM8, PXU, QA2, QA26, QA4, QAA2 QAA6, QAE2, QAE4, QAE6, QAGN, QAW, QC1, QC2, QC3, QC4, QC5, QC6, QC9 QCDW, QCE2, QCWT, QDW9, QE, QHB4, QK4, QKA4, QMAH, QME0, QME2, QNB2 QNE2, QNE6, QNE8, QNGN, QNR2, QNR6, QNRV, QTT, QWA2, QWA4, QWC, QWC4 QWT2, QXCAC, QXB7, QXB9, QXC4, QXC6, QXC9, QXCU, QXE4, QXE6, QXE7 QXE8, QXE9, QXEM, QXER, QXH9, QXQ4, QXS2, QXS4, QXU, QXUM, QXUZ, SC1 SCC, SCK4, SCM, SCM1, SCM2, SCM3, SCMV, SDQ5, SE1C, SE2C, SHQ2, SHQ4 SHQ5, SHQ6, SM32, SMC1, SMC2, SMD3, SME0, SME6, SMES, SMSC, SMX2 SMXC, SNC, STC4, SWA2, SWA4, SXB7, SXB9, SXBG, SXE4, SXE8, SXEM SXQ4, SXS6, SXU, VA2, VAA1, VAA8, VAC2, VAG2, VC2, VC2N, VCF, VCN2 VCT, VCT2, VD2, VDE2, VEP9, VK2, VKB2, VKE4, VKER, VKX4, VKXR, VM2 VN27, VNG1, VPE5, VPE9, VPP9, VPX2, VPX4, VPX9, VS49, VSB9, VSD4 VSD7, VSD9, VTH4, VWC, VWC9, VWE, VWS, VWS1, VWT4, VX8, VXB7, VXB9 VXE2, VXE6, VXE7, VXE8, VXE9, VXF, VXG, VXQ4, VXT
4	34150-ZH7-013	ALERT UNIT, OIL.....	1	-	-	-	-	-----	HA2, LX2, LXQ4, PA2, QA4, QC2, QWC4, QXB7, QXB9, QXC4, QXC6, QXCU QXS2, QXS4, QXUZ, SMD3, SME6, SNC, SWA2, SWA4, SXB7, SXB9, SXU, VA2 VM2, VPX2, VXQ4
	34150-ZH7-003	1	-	-	-	-	----- 1338742	LXU, PXU, QA2, QA26, QAA2, QAA6, QAW, QDW9, QK4, QTT, QWA4, QWT2 QXC9, QXQ4, QXU, SXQ4, VKX4, VNG1, VPX4, VPX9, VSD7, VSD9, VX8, VXB7 VXB9, VXG
	34150-ZH7-013	1	-	-	-	-	----- 1338743	LXU, PXU, QA2, QA26, QAA2, QAA6, QAW, QDW9, QK4, QTT, QWA4, QWT2 QXC9, QXQ4, QXU, SXQ4, VKX4, VNG1, VPX4, VPX9, VSD7, VSD9, VX8, VXB7 VXB9, VXG
			-	-	1	-	-	-----	QNB2, QTT, QWA2, VAA1, VAC2, VAG2, VCN2, VD2, VEP9, VKE4, VKX4, VNG1 VPE5, VPE9, VPX4, VPX9, VS49, VSD4, VTH4, VWC, VWC9, VWE, VWT4, VXG
5	90013-883-000	BOLT, FLANGE, 6X12(CT200)....	1	-	1	-	-	-----	HA2, LX2, LXQ4, LXU, PA2, PXU, QA2, QA26, QA4, QAA2, QAA6, QAW, QC2 QDW9, QK4, QNB2, QTT, QWA2, QWA4, QWC4, QWT2, QXB7, QXB9, QXC4, QXC6 QXC9, QXCU, QXQ4, QXS2, QXS4, QXU, QXUZ, SMD3, SME6, SNC, SWA2, SWA4 SXB7, SXB9, SXQ4, SXU, VA2, VAA1, VAC2, VAG2, VCN2, VD2, VEP9, VKE4 VKX4, VM2, VNG1, VPE5, VPE9, VPX2, VPX4, VPX9, VS49, VSD4, VSD7 VSD9, VTH4, VWC, VWC9, VWE, VWT4, VX8, VXB7, VXB9, VXG, VXQ4
6	90131-883-000	BOLT, DRAIN PLUG, 12X15.....	2	2	2	2	2		



E-3

CYLINDER BARREL



Ref. No.	Part No.	Description	Reqd. QTY					Serial No.	Parts catalogue code
			GX 390 UT1	GX 390 UT2	GX 390 RT1	GX 390 RT2	GX 390 UT2X		
7	90446-KE1-000	WASHER, 8.2X17X0.8.....	1	1	1	1	1	----- ED6, EDD2, EDS6, EDT6, HA2, LFU, LKE, LX2, LXE4, LXE5, LXE8, LXQ4, LXU, PA2, PAE2, PKT, PXD8, PXE8, PXM8, PXU, QA2, QA26, QA4, QAA2, QAA6, QAE2, QAE4, QAE6, QAGN, QAW, QC1, QC2, QC3, QC4, QC5, QC6, QC9, QCDW, QCE2, QCWT, QDW9, QE, QHB4, QK4, QKA4, QMAH, QME0, QME2, QNB2, QNE2, QNE6, QNE8, QNGN, QNR2, QNR6, QNRV, QTT, QWA2, QWA4, QWC, QWC4, QWT2, QXAC, QXB7, QXB9, QXC4, QXC6, QXC9, QXCU, QXE4, QXE6, QXE7, QXE8, QXE9, QXEM, QXER, QXH9, QXQ4, QXS2, QXS4, QXU, QXUM, QXUZ, SC1, SCC, SCK4, SCM, SCM1, SCM2, SCM3, SCMV, SDQ5, SE1C, SE2C, SHQ2, SHQ4, SHQ5, SHQ6, SM32, SMC1, SMC2, SMD3, SME0, SME6, SMES, SMSC, SMX2, SMXC, SNC, STC4, SWA2, SWA4, SXB7, SXB9, SXBG, SXE4, SXE8, SXEM, SXQ4, SXS6, SXU, VA2, VAA1, VAA8, VAC2, VAG2, VC2, VC2N, VCF, VCN2, VCT, VCT2, VD2, VDE2, VEP9, VK2, VKB2, VKE4, VKER, VKX4, VKXR, VM2, VN27, VNG1, VPE5, VPE9, VPP9, VPX2, VPX4, VPX9, VS49, VSB9, VSD4, VSD7, VSD9, VTH4, VWC, VWC9, VWE, VWS, VWS1, VWT4, VX8, VXB7, VXB9, VXE2, VXE6, VXE7, VXE8, VXE9, VXF, VXG, VXQ4, VXT	
8	91201-Z1C-003	OIL SEAL, 35X52X8(NOK).....	1	1	1	1	1		

E-3

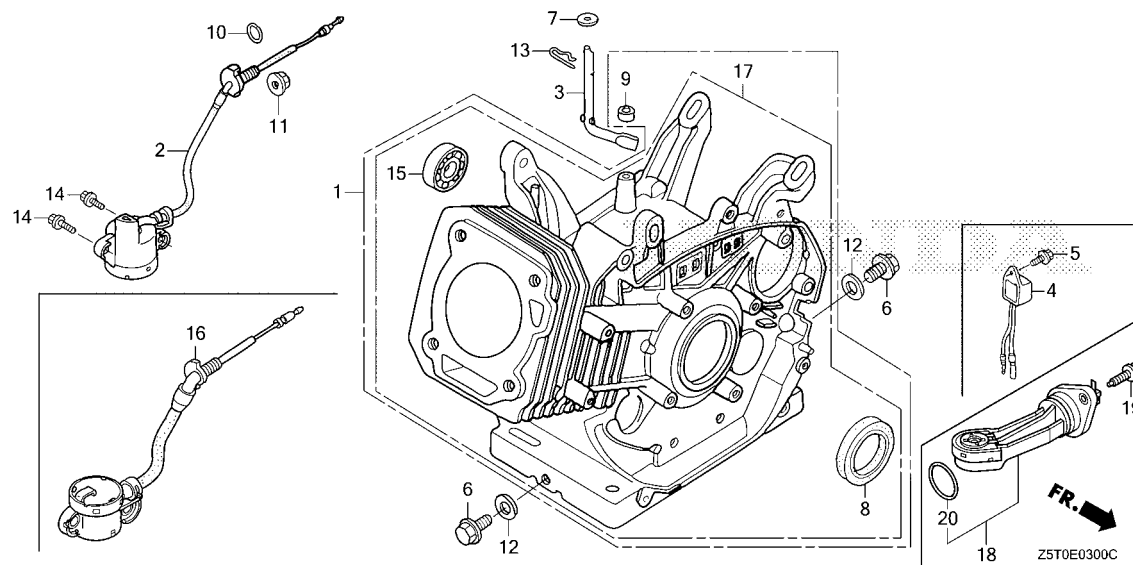
CYLINDER BARREL

Ref. No.	Part No.	Description	Reqd. QTY					Serial No.	Parts catalogue code
			GX 390 UT1	GX 390 UT2	GX 390 RT1	GX 390 RT2	GX 390 UT2X		
(8)	91201-27E-003	OIL SEAL, 35X52X8	-	1	-	1	-	EDS6, EDT6, HA2, LFU, LKE, LX2, LXE4, LXE5, LXE8, LXQ4, LXU, PA2, PAE2, PKT, PXD8, PXE8, PXM8, PXU, QA2, QA4, QAA2, QAE2, QAGN, QC1, QC2, QC3, QC4, QC5, QC6, QC9, QCDW, QCE2, QCWT, QDW9, QE, QHB4, QK4, QMAH, QME0, QNB2, QNE2, QNGN, QNR2, QNRV, QTT, QWA4, QWC, QWT2, QXAC, QXB7, QXB9, QXC4, QXC9, QXCU, QXE4, QXE6, QXE7, QXE8, QXE9, QXEM, QXER, QXQ4, QXU, QXUM, QXUZ, SC1, SCC, SCK4, SCM, SCM1, SCM2, SCM3, SDQ5, SHQ4, SHQ5, SHQ6, SM32, SMC1, SMD3, SME0, SME6, SMES, SMSC, SMX2, SNC, STC4, SWA4, SXB7, SXBG, SXE4, SXEM, SXQ4, SXS6, VC2, VCF, VCT, VCT2, VDE2, VEP9, VKE4, VKER, VKX4, VKXR, VN27, VPE9, VPP9, VPX9, VSB9, VSD4, VSD9, VWC, VWC9, VWE, VWS1, VWT4, VX8, VXB7, VXB9, VXE2, VXE7, VXE8, VXE9, VXF, VVG, VXT	
			-	-	-	-	1	HA2, LFU, LKE, LX2, LXE4, LXE5, LXE8, LXQ4, LXU, PA2, PAE2, PKT, PXD8, PXE8, PXU, QA2, QA4, QAA2, QAE2, QC1, QC3, QC5, QC6, QC9, QCDW, QCE2, QCWT, QE, QHB4, QK4, QKA4, QMAH, QME0, QNE2, QNR2, QNRV, QWC, QXAC, QXB7, QXB9, QXE4, QXE6, QXE7, QXE8, QXE9, QXEM, QXER, QXQ4, QXU, QXUM, QXUZ, SC1, SCC, SCK4, SCM, SCM1, SCM3, SCMV, SE1C, SE2C, SHQ4, SHQ5, SHQ6, SM32, SMC1, SMD3, SME0, SME6, SMX2, STC4, SWA4, SXB7, SXBG, SXE4, SXEM, SXQ4, VN27, VSB9, VSD9, VX8, VXB7, VXB9, VXE2, VXE7, VXE8, VXE9	
9	91203-952-771	OIL SEAL, 8X14X5	1	1	1	1	1	ED6, EDD2, EDS6, EDT6, HA2, LFU, LKE, LX2, LXE4, LXE5, LXE8, LXQ4, LXU, PA2, PAE2, PKT, PXD8, PXE8, PXM8, PXU, QA2, QA4, QAA2, QAA6, QAE2, QAE4, QAE6, QAGN, QAW, QC1, QC2, QC3, QC4, QC5, QC6, QC9, QCDW, QCE2, QCWT, QDW9, QE, QHB4, QK4, QKA4, QMAH, QME0, QME2, QNB2, QNE2, QNE6, QNE8, QNGN, QNR2, QNR6, QNRV, QTT, QWA2, QWA4, QWC, QWC4, QWT2, QXAC, QXB7, QXB9, QXC4, QXC6, QXC9, QXCU, QXE4, QXE6, QXE7, QXE8, QXE9, QXEM, QXER, QXH9, QXQ4, QXS2, QXS4, QXU, QXUM, QXUZ, SC1, SCC, SCK4, SCM, SCM1, SCM2, SCM3, SCMV, SDQ5, SE1C, SE2C, SHQ2, SHQ4, SHQ5, SHQ6, SM32, SMC1, SMC2, SMD3, SME0, SME6, SMES, SMSC, SMX2, SMXC, SNC, STC4, SWA2, SWA4, SXB7, SXB9, SXBG, SXE4, SXE8, SXEM, SXQ4, SXS6, SXU, VA2, VAA1, VAA8, VAC2, VAG2, VC2, VC2N, VCF, VCN2, VCT, VCT2, VD2, VDE2, VEP9, VK2, VKB2, VKE4, VKER, VKX4, VKXR, VM2, VN27, VNG1, VPE5, VPE9, VPP9, VPX2, VPX4, VPX9, VS49, VSB9, VSD4, VSD7, VSD9, VTH4, VWC, VWC9, VWE, VWS, VWS1, VWT4, VX8, VXB7, VXB9, VXE2, VXE6, VXE7, VXE8, VXE9, VXF, VVG, VXQ4, VXT	
	91203-27E-003	-	1	-	1	-	EDS6, EDT6, HA2, LFU, LKE, LX2, LXE4, LXE5, LXE8, LXQ4, LXU, PA2, PAE2, PKT, PXD8, PXE8, PXM8, PXU, QA2, QA4, QAA2, QAE2, QAGN, QC1, QC2, QC3, QC4, QC5, QC6, QC9, QCDW, QCE2, QCWT, QDW9, QE, QHB4, QK4, QMAH, QME0, QNB2, QNE2, QNGN, QNR2, QNRV, QTT, QWA4, QWC, QWT2, QXAC, QXB7, QXB9, QXC4, QXC9, QXCU, QXE4, QXE6, QXE7, QXE8, QXE9, QXEM, QXER, QXQ4, QXU, QXUM, QXUZ, SC1, SCC, SCK4, SCM, SCM1, SCM2, SCM3, SDQ5, SHQ4, SHQ5, SHQ6, SM32, SMC1, SMD3, SME0, SME6, SMES, SMSC, SMX2, SNC, STC4, SWA4, SXB7, SXBG, SXE4, SXEM, SXQ4, SXS6, VC2, VCF, VCT, VCT2, VDE2, VEP9, VKE4, VKER, VKX4, VKXR, VN27, VPE9, VPP9, VPX9, VSB9, VSD4, VSD9, VWC, VWC9, VWE, VWS1, VWT4, VX8, VXB7, VXB9, VXE2, VXE7, VXE8, VXE9, VXF, VVG, VXT	
			-	-	-	-	1	HA2, LFU, LKE, LX2, LXE4, LXE5, LXE8, LXQ4, LXU, PA2, PAE2, PKT, PXD8, PXE8, PXU, QA2, QA4, QAA2, QAE2, QC1, QC3, QC5, QC6, QC9, QCDW, QCE2, QCWT, QE, QHB4, QK4, QKA4, QMAH, QME0, QNE2, QNR2, QNRV, QWC, QXAC, QXB7, QXB9, QXE4, QXE6, QXE7, QXE8, QXE9, QXEM, QXER, QXQ4, QXU, QXUM, QXUZ, SC1, SCC, SCK4, SCM, SCM1, SCM3, SCMV, SE1C, SE2C, SHQ4, SHQ5, SHQ6, SM32, SMC1, SMD3, SME0, SME6, SMX2, STC4, SWA4, SXB7, SXBG, SXE4, SXEM, SXQ4, VN27, VSB9, VSD9, VX8, VXB7, VXB9, VXE2, VXE7, VXE8, VXE9	



E-3

CYLINDER BARREL



Ref. No.	Part No.	Description	Reqd. QTY					Serial No.	Parts catalogue code
			GX 390 UT1	GX 390 UT2	GX 390 RT1	GX 390 RT2	GX 390 UT2X		
10	91353-671-004	O-RING, 14MM(NOK)	1	1	1	1	1	-----	ED6, EDD2, EDS6, EDT6, HA2, LKE, LX2, LXE4, LXE5, LXE8, LXQ4, LXU PA2, PAE2, PKT, PXD8, PXE8, PXM8, PXU, QA2, QA26, QA4, QAA2, QAA6 QAE2, QAE4, QAE6, QAGN, QAW, QC1, QC2, QC3, QC4, QC5, QC6, QC9, QCDW QCE2, QCWT, QDW9, QK4, QKA4, QMAH, QME0, QME2, QNB2, QNE2, QNE6 QNE8, QNGN, QNR2, QNR6, QNRV, QTT, QWA2, QWA4, QWC, QWC4, QWT2, QXAC QXB7, QXB9, QXC4, QXC6, QXC9, QXCU, QXE4, QXE6, QXE7, QXE8, QXE9 QXEM, QXER, QXH9, QXQ4, QXS2, QXS4, QXU, QXUM, QXUZ, SC1, SCK4, SCM SCM1, SCM2, SCM3, SE2C, SM32, SMD3, SME0, SME6, SMSC, SMX2, SMXC SNC, STC4, SWA2, SWA4, SXB7, SXB9, SXBG, SXE4, SXE8, SXEM, SXQ4 SXS6, SXU, VA2, VAA1, VAA8, VAC2, VAG2, VC2, VC2N, VCF, VCN2, VCT VCT2, VD2, VDE2, VEP9, VK2, VKB2, VKE4, VKER, VKX4, VKXR, VM2, VN27 VNG1, VPE5, VPE9, VPP9, VPX2, VPX4, VPX9, VS49, VSB9, VSD4, VSD7 VSD9, VTH4, VWC, VWC9, VWE, VWS, VWS1, VWT4, VX8, VXB7, VXB9, VXE2 VXE6, VXE7, VXE8, VXE9, VXF, VXG, VXQ4, VXT
11	94050-10000	NUT, FLANGE, 10MM	1	1	1	1	1	-----	ED6, EDD2, EDS6, EDT6, HA2, LKE, LX2, LXE4, LXE5, LXE8, LXQ4, LXU PA2, PAE2, PKT, PXD8, PXE8, PXM8, PXU, QA2, QA26, QA4, QAA2, QAA6 QAE2, QAE4, QAE6, QAGN, QAW, QC1, QC2, QC3, QC4, QC5, QC6, QC9, QCDW QCE2, QCWT, QDW9, QK4, QKA4, QMAH, QME0, QME2, QNB2, QNE2, QNE6 QNE8, QNGN, QNR2, QNR6, QNRV, QTT, QWA2, QWA4, QWC, QWC4, QWT2, QXAC QXB7, QXB9, QXC4, QXC6, QXC9, QXCU, QXE4, QXE6, QXE7, QXE8, QXE9 QXEM, QXER, QXH9, QXQ4, QXS2, QXS4, QXU, QXUM, QXUZ, SC1, SCK4, SCM SCM1, SCM2, SCM3, SE2C, SM32, SMD3, SME0, SME6, SMSC, SMX2, SMXC SNC, STC4, SWA2, SWA4, SXB7, SXB9, SXBG, SXE4, SXE8, SXEM, SXQ4 SXS6, SXU, VA2, VAA1, VAA8, VAC2, VAG2, VC2, VC2N, VCF, VCN2, VCT VCT2, VD2, VDE2, VEP9, VK2, VKB2, VKE4, VKER, VKX4, VKXR, VM2, VN27 VNG1, VPE5, VPE9, VPP9, VPX2, VPX4, VPX9, VS49, VSB9, VSD4, VSD7 VSD9, VTH4, VWC, VWC9, VWE, VWS, VWS1, VWT4, VX8, VXB7, VXB9, VXE2 VXE6, VXE7, VXE8, VXE9, VXF, VXG, VXQ4, VXT

E-3

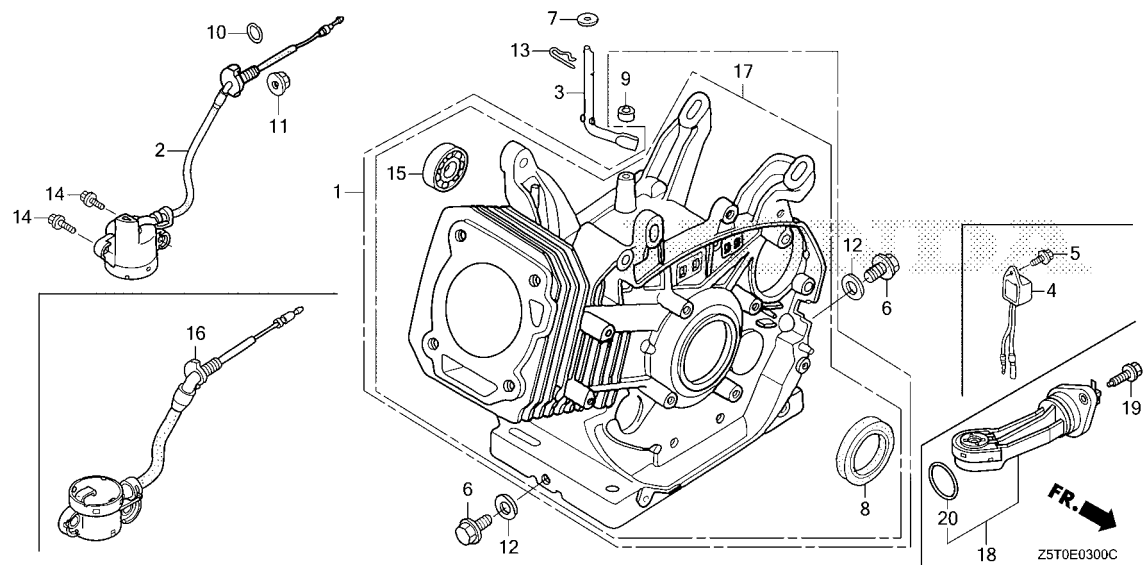
CYLINDER BARREL

Ref. No.	Part No.	Description	Reqd. QTY					Serial No.	Parts catalogue code
			GX 390 UT1	GX 390 UT2	GX 390 RT1	GX 390 RT2	GX 390 UT2X		
12	94109-12000	WASHER, DRAIN PLUG, 12MM.....	2	2	2	2	2		
13	94251-10000	PIN, LOCK, 10MM.....	1	1	1	1	1	-----	
								ED6, EDD2, EDS6, EDT6, HA2, LFU, LKE, LX2, LXE4, LXE5, LXE8, LXQ4, LXU, PA2, PAE2, PKT, PXD8, PXE8, PXM8, PXU, QA2, QA26, QA4, QAA2, QAA6, QAE2, QAE4, QAE6, QAGN, QAW, QC1, QC2, QC3, QC4, QC5, QC6, QC9, QCDW, QCE2, QCWT, QDW9, QE, QHB4, QK4, QKA4, QMAH, QME0, QME2, QNB2, QNE2, QNE6, QNE8, QNGN, QNR2, QNR6, QNRV, QTT, QWA2, QWA4, QWC, QWC4, QWT2, QXAC, QXB7, QXB9, QXC4, QXC6, QXC9, QXCU, QXE4, QXE6, QXE7, QXE8, QXE9, QXEM, QXER, QXH9, QXQ4, QXS2, QXS4, QXU, QXUM, QXUZ, SC1, SCC, SCK4, SCM, SCM1, SCM2, SCM3, SCMV, SDQ5, SE1C, SE2C, SHQ2, SHQ4, SHQ5, SHQ6, SM32, SMC1, SMC2, SMD3, SME0, SME6, SMES, SMSC, SMX2, SMXC, SNC, STC4, SWA2, SWA4, SXB7, SXB9, SXBG, SXE4, SXE8, SXEM, SXQ4, SXS6, SXU, VA2, VAA1, VAA8, VAC2, VAG2, VC2, VC2N, VCF, VCN2, VCT, VCT2, VD2, VDE2, VEP9, VK2, VKB2, VKE4, VKER, VKX4, VKXR, VM2, VN27, VNG1, VPE5, VPE9, VPP9, VPX2, VPX4, VPX9, VS49, VSB9, VSD4, VSD7, VSD9, VTH4, VWC, VWC9, VWE, VWS, VWS1, VWT4, VX8, VXB7, VXB9, VXE2, VXE6, VXE7, VXE8, VXE9, VXF, VXG, VXQ4, VXT	
14	95701-06012-00	BOLT, FLANGE, 6X12.....	2	2	2	2	2	-----	
								ED6, EDD2, EDS6, EDT6, HA2, LKE, LX2, LXE4, LXE5, LXE8, LXQ4, LXU, PA2, PAE2, PKT, PXD8, PXE8, PXM8, PXU, QA2, QA26, QA4, QAA2, QAA6, QAE2, QAE4, QAE6, QAGN, QAW, QC1, QC2, QC3, QC4, QC5, QC6, QC9, QCDW, QCE2, QCWT, QDW9, QK4, QKA4, QMAH, QME0, QME2, QNB2, QNE2, QNE6, QNE8, QNGN, QNR2, QNR6, QNRV, QTT, QWA2, QWA4, QWC, QWC4, QWT2, QXAC, QXB7, QXB9, QXC4, QXC6, QXC9, QXCU, QXE4, QXE6, QXE7, QXE8, QXE9, QXEM, QXER, QXH9, QXQ4, QXS2, QXS4, QXU, QXUM, QXUZ, SC1, SCK4, SCM, SCM1, SCM2, SCM3, SE2C, SM32, SMD3, SME0, SME6, SMSC, SMX2, SMXC, SNC, STC4, SWA2, SWA4, SXB7, SXB9, SXBG, SXE4, SXE8, SXEM, SXQ4, SXS6, SXU, VA2, VAA1, VAA8, VAC2, VAG2, VC2, VC2N, VCF, VCN2, VCT, VCT2, VD2, VDE2, VEP9, VK2, VKB2, VKE4, VKER, VKX4, VKXR, VM2, VN27, VNG1, VPE5, VPE9, VPP9, VPX2, VPX4, VPX9, VS49, VSB9, VSD4, VSD7, VSD9, VTH4, VWC, VWC9, VWE, VWS, VWS1, VWT4, VX8, VXB7, VXB9, VXE2, VXE6, VXE7, VXE8, VXE9, VXF, VXG, VXQ4, VXT	
15	96100-62020-00	BEARING, RADIAL BALL, 6202...	1	1	1	1	1		
	91004-KZR-602	BEARING, RADIAL BALL, 6202 (FUJIKOSHI)	-	1	-	1	-	-----	
			-	1	-	1	-	3364590	
			-	1	-	1	-	3376769	
			-	1	-	-	-	3357588	
			-	1	-	-	-	3357589	
			-	1	-	-	-	3358243	
			-	1	-	-	-	3368326	
			-	1	-	-	-	3374261	
			-	-	-	1	-	3359808	
			-	-	-	1	-	3364584	
			-	-	-	1	-	3456713	
			-	-	-	-	1		
								QAGN, QNRV, SCM3, SXBG, SXS6, VCF, VSB9, VXF, QE, QHB4, SDQ5, SHQ4, SHQ5, SHQ6, SMC1, LFU, SCC, SMES, HA2, LX2, LXQ4, LXU, PA2, PKT, PXU, QA2, QA4, QAA2, QC1, QC3, QC4, QC5, QC6, QC9, QCDW, QCWT, QK4, QWC, QXAC, QXB7, QXB9, QXQ4, QXU, QXUM, QXUZ, SC1, SCM, SMD3, SME6, SMX2, SWA4, SXB7, SXQ4, VSD9, VX8, VXB7, VXB9, QWA4, QWT2, QXC4, QXC9, QXCU, SNC, LKE, LXE4, LXE5, LXE8, PAE2, PXD8, PXE8, QAE2, QC2, QCE2, QMAH, QME0, QNE2, QNR2, QXE4, QXE6, QXE7, QXE8, QXE9, QXEM, QXER, SCK4, SCM1, SCM2, SM32, SME0, STC4, SXE4, SXEM, VN27, VXE2, VXE7, VXE8, VXE9, QZA2, QZAV, QZHW, QZME, QZN2, QZND, QZNR, QZRL, QZXR, VZX7, VZX8, QZD, VZS9, EDS6, PXM8, QNB2, QNGN, VC2, VCT, VCT2, VDE2, VKE4, VKER, VPE9, VPP9, VSD4, VWE, VWT4, EDT6, QTT, VEP9, VKX4, VKXR, VPX9, VWC, VWC9, VWS1, VXG, VXT, EZDS, VZXZ	



E-3

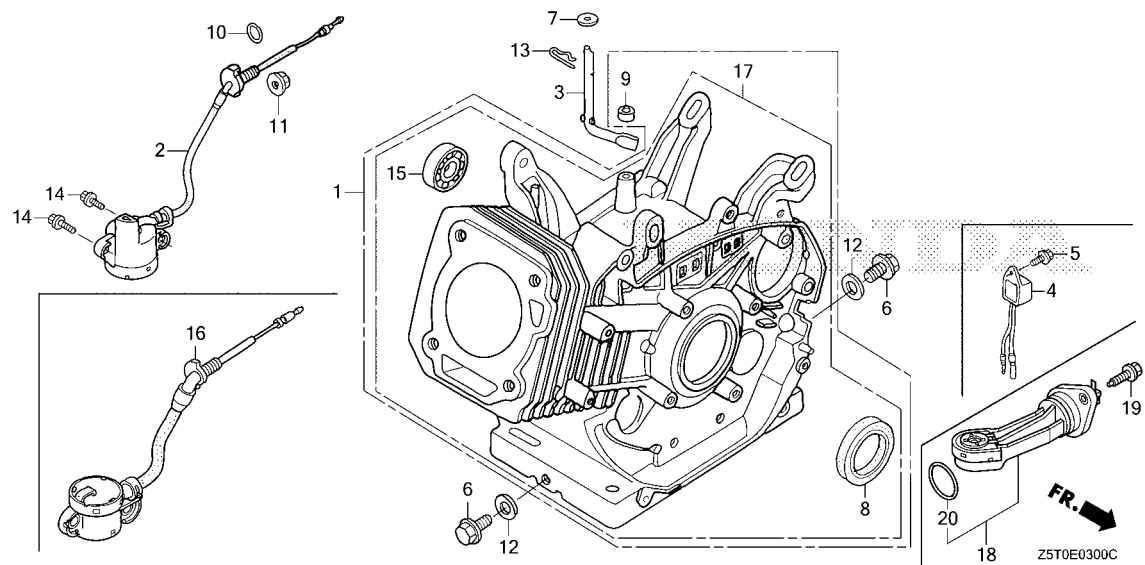
CYLINDER BARREL



Ref. No.	Part No.	Description	Reqd. QTY					Serial No.	Parts catalogue code
			GX 390 UT1	GX 390 UT2	GX 390 RT1	GX 390 RT2	GX 390 UT2X		
16	35480-ZF6-003	SWITCH ASSY., OIL LEVEL.....	1	-	-	-	-	HA2, LX2, LXQ4, PA2, PxD8, QA4, QC2, QWC4, QXB7, QXB9, QXC4, QXC6 QXCU, QXER, QXS2, QXS4, QXUZ, SMD3, SME6, SNC, SWA2, SWA4, SXB7 SXB9, SXU, VA2, VC2N, VKX4, VM2, VNG1, VPX2, VPX4, VPX9, VSD7, VSD9 VXB7, VXB9, VXG, VXQ4	
			1	-	-	-	1495142	LXE8, LXU, PXE8, PXU, QA2, QA26, QAA2, QAA6, QAW, QDW9, QK4, QTT QWA4, QWT2, QXC9, QXE8, QXQ4, QXU, SXE8, SXQ4, VX8, VXE8	
			1	-	-	-	1523884	LKE, LXE4, PAE2, QAE2, QAE4, QAE6, QKA4, QME0, QME2, QNE2, QNE6 QNE8, QNR2, QNR6, QXE4, QXE6, QXE7, QXE9, QXH9, SCK4, SM32, SME0 STC4, SXE4, VN27, VXE2, VXE6, VXE7, VXE9	
			-	1	1	1	1	ED6, EDD2, EDS6, EDT6, HA2, LKE, LX2, LXE4, LXE5, LXE8, LXQ4, LXU PA2, PAE2, PKT, PxD8, PXE8, PXM8, PXU, QA2, QA26, QA4, QAA2, QAA6 QAE2, QAE4, QAE6, QAGN, QC1, QC2, QC3, QC4, QC5, QC6, QC9, QCDW, QCE2 QCWT, QDW9, QK4, QKA4, QMAH, QME0, QNB2, QNE2, QNE8, QNGN, QNR2 QNR6, QNRV, QTT, QWA2, QWA4, QWC, QWC4, QWT2, QXAC, QXB7, QXB9, QXC4 QXC6, QXC9, QXCU, QXE4, QXE6, QXE7, QXE8, QXE9, QXEM, QXER, QXQ4 QXS4, QXU, QXUM, QXUZ, SC1, SCK4, SCM, SCM1, SCM2, SCM3, SE2C, SM32 SMD3, SME0, SME6, SMSC, SMX2, SMXC, SNC, STC4, SWA4, SXB7, SXBG SXE4, SXE8, SXEM, SXQ4, SXS6, SXU, VA2, VAA1, VAA8, VAC2, VAG2, VC2 VCF, VCN2, VCT, VCT2, VD2, VDE2, VEP9, VK2, VKB2, VKE4, VKER, VKX4 VKXR, VM2, VN27, VNG1, VPE5, VPE9, VPP9, VPX4, VPX9, VS49, VSB9 VSD4, VSD7, VSD9, VTH4, VWC, VWC9, VWE, VWS, VWS1, VWT4, VX8, VXB7 VXB9, VXE2, VXE7, VXE8, VXE9, VXF, VXG, VXQ4, VXT	
17	12000-Z5T-Q20	BARREL ASSY., CYLINDER (SELFSTARTER+ALERT)	-	1	-	1	-	EZD2, EZDM, EZDV, QZNH, QZX9, SZEC, VZC2, VZP9, VZWE	
	12000-Z5T-Q40	BARREL ASSY., CYLINDER.....	-	1	-	-	-	QZC, QZDS, QZRV	
	12000-Z5T-Q20	BARREL ASSY., CYLINDER (SELFSTARTER+ALERT)	-	1	-	-	-		
	12000-Z5T-Q40	BARREL ASSY., CYLINDER.....	-	1	-	-	-	3368325 QZA2, QZAV, QZHW, QZME, QZN2, QZND, QZNR, QZRL, QZXR, VZX7, VZX8 3374260 QZD, VZS9	

E-3

CYLINDER BARREL

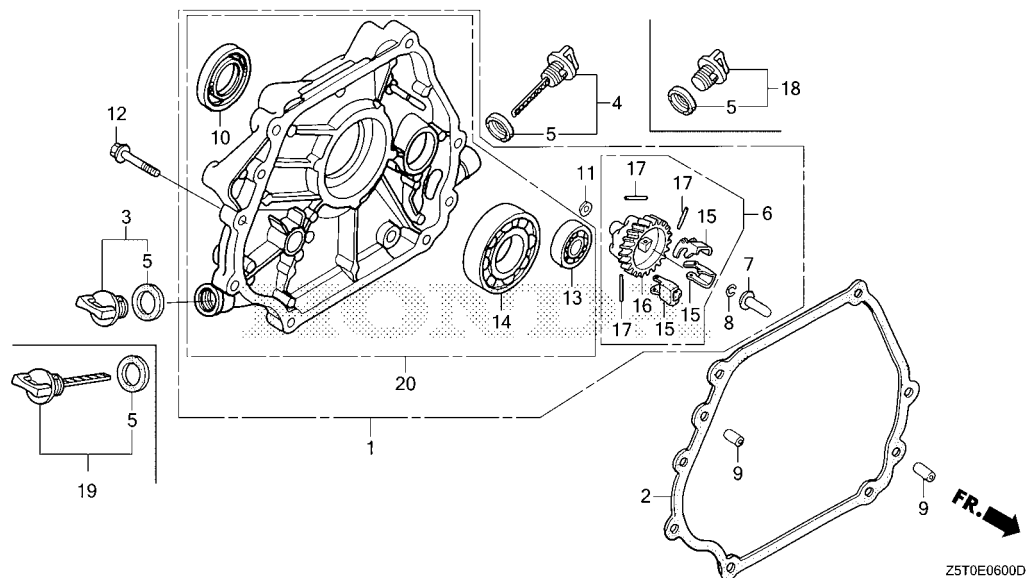


Ref. No.	Part No.	Description	Reqd. QTY					Serial No.	Parts catalogue code
			GX 390 UT1	GX 390 UT2	GX 390 RT1	GX 390 RT2	GX 390 UT2X		
17)	12000-Z5T-Q21	BARREL ASSY., CYLINDER (SELFSTARTER+ALERT)	-	1	-	-	-	3368326	----- QZA2, QZAV, QZHW, QZME, QZN2, QZND, QZNR, QZRL, QZXR, VZX7, VZX8
	12000-Z5T-Q41	BARREL ASSY., CYLINDER	-	1	-	-	-	3374261	----- QZD, VZS9
	12000-Z5T-Q20	BARREL ASSY., CYLINDER (SELFSTARTER+ALERT)	-	-	-	1	-	----- 3456712	EZDS, VZXZ
	12000-Z5T-Q21	-	-	-	1	-	3456713	----- EZDS, VZXZ
	12000-Z5T-Q41	BARREL ASSY., CYLINDER	-	-	-	-	1	-----	QZA2, QZAV, QZHW, QZN2, QZNR, QZRL, QZXR, VZX7, VZX8
18	35480-Z5T-W01	SWITCH ASSY., OIL LEVEL	-	1	-	1	1	-----	QZD
			-	-	-	-	-	-----	EZD2, EZDM, EZDS, EZDV, QZA2, QZAV, QZC, QZD, QZDS, QZHW, QZME, QZN2, QZND, QZNH, QZNR, QZRL, QZRV, QZX9, QZXR, SZEC, VZC2, VZP9, VZS9
19	90029-888-000	BOLT, FLANGE, 6X16(CT200)	-	2	-	2	2	-----	VZWE, VZX7, VZX8, VZXZ
			-	-	-	-	-	-----	EZD2, EZDM, EZDS, EZDV, QZA2, QZAV, QZC, QZD, QZDS, QZHW, QZME, QZN2, QZND, QZNH, QZNR, QZRL, QZRV, QZX9, QZXR, SZEC, VZC2, VZP9, VZS9
20	91309-Z6L-000	O-RING, 37.9X2.4	-	1	-	1	1	-----	VZWE, VZX7, VZX8, VZXZ
			-	-	-	-	-	-----	EZD2, EZDM, EZDS, EZDV, QZA2, QZAV, QZC, QZD, QZDS, QZHW, QZME, QZN2, QZND, QZNH, QZNR, QZRL, QZRV, QZX9, QZXR, SZEC, VZC2, VZP9, VZS9



E-6

CRANKCASE COVER(1)



Ref. L.O.N. (Relative ref. Number) F.R.T.
No. Description

Ref. No.	Part No.	Description	Reqd. QTY					Serial No.	Parts catalogue code
			GX 390 UT1	GX 390 UT2	GX 390 RT1	GX 390 RT2	GX 390 UT2X		
1	11300-Z1C-600	COVER ASSY., CRANKCASE.....	1	-	1	-	-	PA2, PAE2, PxD8, PXE8, PXU, QA2, QA26, QA4, QAA2, QAA6, QAE2, QAE4, QAE6, QAW, QC2, QDW9, QE, QHB4, QK4, QKA4, QME0, QME2, QNB2, QNE2, QNE6, QNE8, QNR2, QNR6, QTT, QWA2, QWA4, QWC4, QWT2, QXB7, QXB9, QXC4, QXC6, QXC9, QXCU, QXE4, QXE6, QXE7, QXE8, QXE9, QXER, QXH9, QXQ4, QXS2, QXS4, QXU, QXUZ, SNC, VA2, VAA1, VAA8, VAC2, VAG2, VC2, VC2N, VCN2, VD2, VDE2, VEP9, VK2, VKB2, VKE4, VKX4, VM2, VN27, VNG1, VPE5, VPE9, VPX2, VPX4, VPX9, VS49, VSD4, VSD7, VSD9, VTH4, VWC, VWC9, VWE, VWT4, VX8, VXB7, VXB9, VXE2, VXE6, VXE7, VXE8, VXE9, VXG, VXQ4	
	11300-Z1C-000	1	-	-	1	-	ED6, EDD2, SCK4, SHQ2, SHQ4, SM32, SMC1, SMC2, SMD3, SME0, SME6, STC4, SWA2, SWA4, SXB7, SXB9, SXE4, SXE8, SXQ4, SXU	
	11300-Z1C-601	-	1	-	1	-	QAGN, QNRV, VCF, VXF	
	11300-Z8W-800	COVER ASSY., CRANKCASE(S-TYPE)	-	1	-	1	-	SMXC, VWS	
	11300-Z1C-600	COVER ASSY., CRANKCASE.....	-	1	-	-	-	QA26, QAA6, QAE4, QAE6, QDW9, QNE8, QNR6, QWC4, QXC6, QXS4, VA2, VM2, VSD7, VXQ4	
	11300-Z8W-801	COVER ASSY., CRANKCASE(S-TYPE)	-	1	-	-	-	SCM3	
	11300-Z1C-000	COVER ASSY., CRANKCASE.....	-	1	-	-	-	SMSC, SXE8, SXU	
	11300-Z1C-600	-	1	-	-	-	3357588 PA2, PAE2, PxD8, PXE8, PXU, QA2, QA4, QAA2, QAE2, QC1, QC2, QC3, QC4, QC5, QC6, QC9, QCDW, QCE2, QCWT, QE, QHB4, QK4, QKA4, QME0, QNE2, QNR2, QWA4, QWC, QWT2, QXAC, QXB7, QXB9, QXC4, QXC9, QXCU, QXE4, QXE6, QXE7, QXE8, QXE9, QXEM, QXER, QXQ4, QXU, QXUM, QXUZ, SC1, SNC, VN27, VSB9, VSD9, VX8, VXB7, VXB9, VXE2, VXE7, VXE8, VXE9	
	11300-Z1C-000	-	1	-	-	-	3364589 QMAH, SCK4, SCM1, SHQ4, SHQ5, SHQ6, SM32, SMC1, SMD3, SME0, SME6, STC4, SWA4, SXB7, SXB9, SXE4, SXEM, SXQ4	
	11300-Z8W-800	COVER ASSY., CRANKCASE(S-TYPE)	-	1	-	-	-	3365517 PKT, SCC, SCM, SCM2, SMX2	

E-6

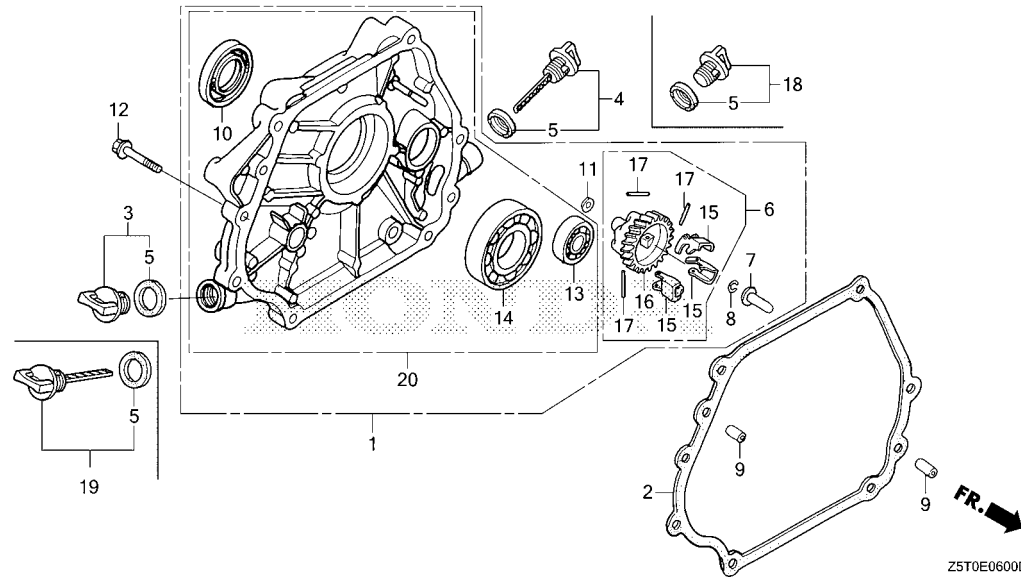
CRANKCASE COVER(1)

Ref. No.	Part No.	Description	Reqd. QTY					Serial No.	Parts catalogue code
			GX 390 UT1	GX 390 UT2	GX 390 RT1	GX 390 RT2	GX 390 UT2X		
(1)	11300-Z1C-601	COVER ASSY., CRANKCASE	-	1	-	-	-	3357589	----- PA2, PAE2, PXD8, PXE8, PXU, QA2, QA4, QAA2, QAE2, QC1, QC2, QC3, QC4, QC5, QC6, QC9, QCDW, QCE2, QCWT, QE, QHB4, QK4, QKA4, QME0, QNE2, QNR2, QWA4, QWC, QWT2, QXAC, QXB7, QXB9, QXC4, QXC9, QXCU, QXE4, QXE6, QXE7, QXE8, QXE9, QXEM, QXER, QXQ4, QXU, QXUM, QXUZ, SC1, SNC, VN27, VSB9, VSD9, VX8, VXB7, VXB9, VXE2, VXE7, VXE8, VXE9
	11300-Z1C-010	-	1	-	-	-	3364590	----- QMAH, SCK4, SCM1, SHQ4, SHQ5, SHQ6, SM32, SMC1, SMD3, SME0, SME6, STC4, SWA4, SXB7, SXE4, SXEM, SXQ4
	11300-Z8W-801	COVER ASSY., CRANKCASE(S-TYPE)	-	1	-	-	-	3364590 3500927	----- SXBG
	11300-Z1C-010	COVER ASSY., CRANKCASE	-	1	-	-	-	3365518	----- PKT, SCC, SCM, SCM2, SMX2
	11300-Z1C-010	COVER ASSY., CRANKCASE	-	-	-	1	1	3500928	----- SXBG
	11300-Z1C-600	-	-	-	1	-	-----	----- QMAH, SCK4, SCM1, SCMV, SE1C, SHQ4, SHQ5, SHQ6, SM32, SMC1, SMD3, SME0, SME6, STC4, SWA4, SXB7, SXE4, SXEM, SXQ4, SXS6
	11300-Z1C-000	-	-	-	1	-	-----	----- QWA2, VAA1, VAG2, VK2, VKB2, VPE5, VPX4
	11300-Z1C-600	-	-	-	1	-	2999999	----- VWS1
	11300-Z1C-000	-	-	-	1	-	3359807	----- PXM8, QNB2, QNGN, QTT, VC2, VCT, VCT2, VDE2, VEP9, VKE4, VKER, VKX4, VKXR, VPE9, VPP9, VPX9, VSD4, VVC, VWC9, VWE, VWT4, VXG, VXT
	11300-Z1C-000	-	-	-	1	-	3364583	----- EDS6, EDT6, SDQ5, SMES
	11300-Z8W-801	COVER ASSY., CRANKCASE(S-TYPE)	-	-	-	1	-	3000001	----- VWS1
	11300-Z1C-601	COVER ASSY., CRANKCASE	-	-	-	1	-	3359808	----- PXM8, QNB2, QNGN, QTT, VC2, VCT, VCT2, VDE2, VEP9, VKE4, VKER, VKX4, VKXR, VPE9, VPP9, VPX9, VSD4, VVC, VWC9, VWE, VWT4, VXG, VXT
	11300-Z1C-010	-	-	-	1	-	3364584	----- EDS6, EDT6, SDQ5, SMES
	11300-Z8W-801	COVER ASSY., CRANKCASE(S-TYPE)	-	-	-	1	-	3484287	----- VWS1
	11300-Z1C-601	COVER ASSY., CRANKCASE	-	-	-	1	-	-----	----- PA2, PAE2, PXD8, PXE8, PXU, QA2, QA4, QAA2, QAE2, QC1, QC3, QC5, QC6, QC9, QCDW, QCE2, QCWT, QE, QHB4, QK4, QKA4, QME0, QNE2, QNR2, QNRV, QWC, QXAC, QXB7, QXB9, QXE4, QXE6, QXE7, QXE8, QXE9, QXEM, QXER, QXQ4, QXU, QXUM, QXUZ, SC1, VN27, VSB9, VSD9, VX8, VXB7, VXB9, VXE2, VXE7, VXE8, VXE9
	11300-Z8W-801	COVER ASSY., CRANKCASE(S-TYPE)	-	-	-	-	1	-----	----- PKT, SCC, SCM, SCM3, SE2C, SMX2, SXBG
2	11381-ZE3-801	PACKING, CASE COVER	1	-	1	-	-	-----	----- PA2, PAE2, PXD8, PXE8, PXU, QA2, QA26, QA4, QAA2, QAA6, QAE2, QAE4, QAE6, QAW, QC2, QDW9, QE, QHB4, QK4, QKA4, QME0, QME2, QNB2, QNE2, QNE6, QNE8, QNR2, QNR6, QTT, QWA2, QWA4, QWC4, QWT2, QXB7, QXB9, QXC4, QXC6, QXC9, QXCU, QXE4, QXE6, QXE7, QXE8, QXE9, QXER, QXH9, QXQ4, QXS2, QXS4, QXU, QXUZ, SCK4, SHQ2, SHQ4, SM32, SMC1, SMC2, SMD3, SME0, SME6, SNC, STC4, SWA2, SWA4, SXB7, SXB9, SXE4, SXE8, SXQ4, SXU, VA2, VAA1, VAA8, VAC2, VAG2, VC2, VC2N, VCN2, VD2, VDE2, VEP9, VK2, VKB2, VKE4, VKX4, VM2, VN27, VNG1, VPE5, VPE9, VPX2, VPX4, VPX9, VS49, VSD4, VSD7, VSD9, VTH4, VVC, VWC9, VWE, VWT4, VX8, VXB7, VXB9, VXE2, VXE6, VXE7, VXE8, VXE9, VXG, VXQ4
	11381-Z5T-000	PACKING, CRANKCASE COVER	-	1	-	1	1	-----	----- ED6, EDD2, EDS6, EDT6, PA2, PAE2, PKT, PXD8, PXE8, PXM8, PXU, QA2, QA26, QA4, QAA2, QAA6, QAE2, QAE4, QAE6, QAGN, QC1, QC2, QC3, QC4, QC5, QC6, QC9, QCDW, QCE2, QCWT, QDW9, QE, QHB4, QK4, QKA4, QMAH, QME0, QNB2, QNE2, QNE8, QNGN, QNR2, QNR6, QNRV, QTT, QWA2, QWA4, QWC, QWC4, QWT2, QXAC, QXB7, QXB9, QXC4, QXC6, QXC9, QXCU, QXE4, QXE6, QXE7, QXE8, QXE9, QXEM, QXER, QXQ4, QXS4, QXU, QXUM, QXUZ, SC1, SCC, SCK4, SCM, SCM1, SCM2, SCM3, SCMV, SDQ5, SE1C, SE2C, SHQ4, SHQ5, SHQ6, SM32, SMC1, SMD3, SME0, SME6, SMES, SMSC, SMX2, SMXC, SNC, STC4, SWA4, SXB7, SXBG, SXE4, SXE8, SXEM, SXQ4, SXS6, SXU, VA2, VAA1, VAG2, VC2, VCF, VCT, VCT2, VDE2, VEP9, VK2, VKB2, VKE4, VKER, VKX4, VKXR, VM2, VN27, VPE5, VPE9, VPP9, VPX4, VPX9, VSB9, VSD4, VSD7, VSD9, VVC, VWC9, VWE, VWS, VWS1, VWT4, VX8, VXB7, VXB9, VXE2, VXE7, VXE8, VXE9, VXF, VXG, VXQ4, VXT



E-6

CRANKCASE COVER(1)



Ref. No.	Part No.	Description	Reqd. QTY					Serial No.	Parts catalogue code
			GX 390 UT1	GX 390 UT2	GX 390 RT1	GX 390 RT2	GX 390 UT2X		
3	15600-Z0T-820	CAP ASSY., OIL FILLER(BLACK)·	1	-	1	-	-	----- PA2, PAE2, PxD8, PXE8, PXU, QA2, QA26, QA4, QAA2, QAA6, QAE2, QAE4, QAE6, QAW, QC2, QDW9, QE, QK4, QKA4, QME0, QME2, QNE2, QNE6, QNE8, QNR2, QNR6, QTT, QWA4, QWC4, QWT2, QXB7, QXB9, QXC4, QXC6, QXC9, QXCU, QXE4, QXE6, QXE7, QXE8, QXE9, QXER, QXH9, QXQ4, QXS2, QXS4, QXU, QXUZ, SCK4, SHQ2, SHQ4, SM32, SMC1, SMC2, SMD3, SME0, SME6, SNC, STC4, SWA2, SWA4, SXB7, SXB9, SXE4, SXE8, SXQ4, SXU, VA2, VKX4, VM2, VN27, VNG1, VPX2, VPX4, VPX9, VSD7, VSD9, VX8, VXB7, VXB9, VXE2, VXE6, VXE7, VXE8, VXE9, VXG, VXQ4	
	15600-ZG4-003	CAP ASSY., OIL FILLER·····	1	-	-	-	-	1549049 QHB4, VC2N	
	15600-Z0T-820	CAP ASSY., OIL FILLER(BLACK)·	1	-	-	-	1549050	----- QHB4, VC2N	
			-	1	-	-	1	----- PA2, PAE2, PKT, PxD8, PXE8, PXU, QA2, QA26, QA4, QAA2, QAA6, QAE2, QAE4, QAE6, QC1, QC2, QC3, QC4, QC5, QC6, QC9, QCDW, QCE2, QCWT, QDW9, QE, QHB4, QK4, QKA4, QMAH, QME0, QNE2, QNE8, QNR2, QNR6, QNRV, QWA4, QWC, QWC4, QWT2, QXAC, QXB7, QXB9, QXC4, QXC6, QXC9, QXCU, QXE4, QXE6, QXE7, QXE8, QXE9, QXEM, QXER, QXQ4, QXS4, QXU, QXUM, QXUZ, QZA2, QZAV, QZC, QZD, QZDS, QZHW, QZME, QZN2, QZND, QZNH, QZNR, QZRL, QZRV, QZX9, QZXR, SC1, SCC, SCK4, SCM, SCM1, SCM2, SCM3, SCMV, SE1C, SHQ4, SHQ5, SHQ6, SM32, SMC1, SMD3, SME0, SME6, SMSC, SMX2, SMXC, SNC, STC4, SWA4, SXB7, SXBG, SXE4, SXE8, SXEM, SXQ4, SXU, SZEC, VA2, VM2, VN27, VSB9, VSD7, VSD9, VX8, VXB7, VXB9, VXE2, VXE7, VXE8, VXE9, VXQ4, VZS9, VZX7, VZX8	
	15600-ZG4-003	CAP ASSY., OIL FILLER·····	-	-	1	-	-	1530497 QNB2, QWA2, VAA1, VAA8, VAC2, VAG2, VC2, VCN2, VD2, VDE2, VEP9, VK2, VKB2, VPE5, VPE9, VS49, VSD4, VTH4, VVC, VWC9, VVE, VWT4	

E-6

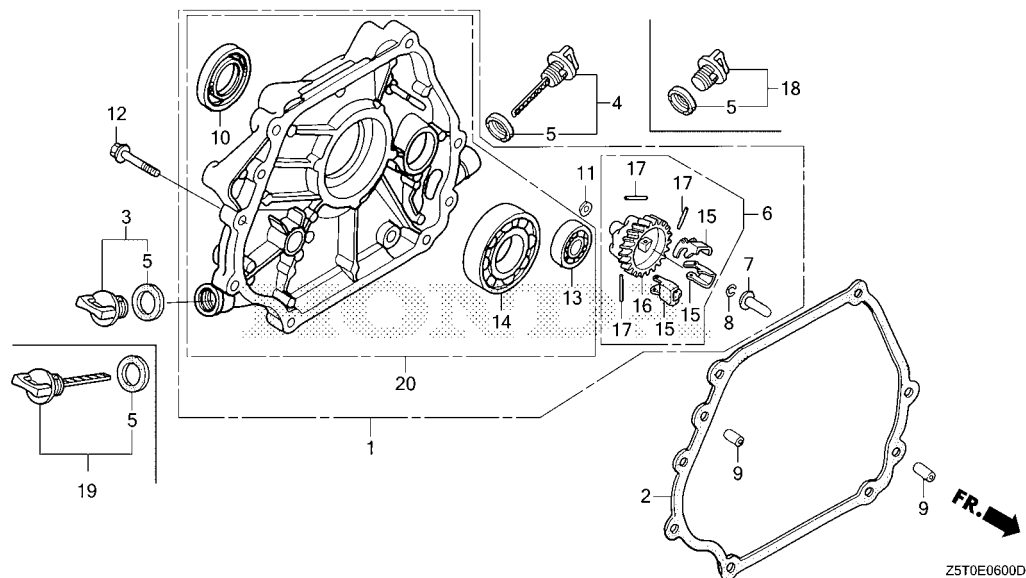
CRANKCASE COVER(1)

Ref. No.	Part No.	Description	Reqd. QTY					Serial No.	Parts catalogue code
			GX 390 UT1	GX 390 UT2	GX 390 RT1	GX 390 RT2	GX 390 UT2X		
(3)	15600-Z0T-820	CAP ASSY., OIL FILLER(BLACK) ·	-	-	1	-	-	1530498	----- QNB2, QWA2, VAA1, VAA8, VAC2, VAG2, VC2, VCN2, VD2, VDE2, VEP9, VK2, VKB2, VPE5, VPE9, VS49, VSD4, VTH4, VWC, VWC9, VWE, VWT4 ----- ED6, EDD2, EDS6, EDT6, EZD2, EZDM, EZDS, EZDV, PXM8, QAGN, QNB2, QNGN, QTT, QWA2, SDQ5, SMES, SXS6, VAA1, VAG2, VC2, VCF, VCT, VCT2, VDE2, VEP9, VK2, VKB2, VKX4, VKXR, VPE5, VPE9, VPP9, VPX4, VPX9, VSD4, VWC, VWC9, VWE, VWS, VWS1, VWT4, VXF, VXG, VXT, VZC2, VZP9, VZWE, VZXZ
4	15600-Z1C-000	CAP ASSY., OIL FILLER ······	1	-	1	-	-	-----	----- PA2, PAE2, PXD8, PXE8, PXU, QA2, QA26, QA4, QAA2, QAA6, QAE2, QAE4, QAE6, QAW, QC2, QDW9, QE, QK4, QKA4, QME0, QME2, QNE2, QNE6, QNE8, QNR2, QNR6, QTT, QWA4, QWC4, QWT2, QXB7, QXB9, QXC4, QXC6, QXC9, QXCU, QXE4, QXE6, QXE7, QXE8, QXE9, QXER, QXH9, QXQ4, QXS2, QXS4, QXU, QXUZ, SCK4, SHQ2, SHQ4, SM32, SMC1, SMC2, SMD3, SME0, SME6, SNC, STC4, SWA2, SWA4, SXB7, SXB9, SXE4, SXE8, SXQ4, SXU, VA2, VKX4, VM2, VN27, VNG1, VPX2, VPX4, VPX9, VSD7, VSD9, VX8, VXB7, VXB9, VXE2, VXE6, VXE7, VXE8, VXE9, VXG, VXQ4
	15600-735-003	··········	1	-	-	-	-	----- 1549049	----- QHB4, VC2N
	15600-Z1C-000	··········	1	-	-	-	-	----- 1549050	----- QHB4, VC2N
			-	1	-	-	1	-----	----- PA2, PAE2, PKT, PXD8, PXE8, PXU, QA2, QA26, QA4, QAA2, QAA6, QAE2, QAE4, QAE6, QC1, QC2, QC3, QC4, QC5, QC6, QC9, QCDW, QCE2, QCWT, QDW9, QE, QHB4, QK4, QKA4, QMAH, QME0, QNE2, QNE8, QNR2, QNR6, QNRV, QWA4, QWC, QWC4, QWT2, QXAC, QXB7, QXB9, QXC4, QXC6, QXC9, QXCU, QXE4, QXE6, QXE7, QXE8, QXE9, QXEM, QXER, QXQ4, QXS4, QXU, QXUM, QXUZ, QZA2, QZAV, QZC, QZD, QZDS, QZHW, QZME, QZN2, QZND, QZNH, QZNR, QZRL, QZRV, QZX9, QZXR, SC1, SCC, SCK4, SCM, SCM1, SCM2, SCM3, SCMV, SE1C, SE2C, SHQ4, SHQ5, SHQ6, SM32, SMC1, SMD3, SME0, SME6, SMSC, SMX2, SMXC, SNC, STC4, SWA4, SXB7, SXB9, SXE4, SXE8, SXEM, SXQ4, SXU, SZEC, VA2, VM2, VN27, VSB9, VSD7, VSD9, VX8, VXB7, VXB9, VXE2, VXE7, VXE8, VXE9, VXQ4, VZS9, VZX7, VZX8
	15600-735-003	··········	-	-	1	-	-	----- 1530497	----- QNB2, QWA2, VAA1, VAA8, VAC2, VAG2, VC2, VCN2, VD2, VDE2, VEP9, VK2, VKB2, VKE4, VPE5, VPE9, VWC, VWC9, VWE, VWT4
	15600-Z1C-000	··········	-	-	1	-	-	----- 1530498	----- QNB2, QWA2, VAA1, VAA8, VAC2, VAG2, VC2, VCN2, VD2, VDE2, VEP9, VK2, VKB2, VKE4, VPE5, VPE9, VWC, VWC9, VWE, VWT4 ----- ED6, EDD2, EDS6, EDT6, EZD2, EZDM, EZDS, EZDV, PXM8, QAGN, QNB2, QNGN, QTT, QWA2, SDQ5, SMES, SXS6, VAA1, VAG2, VC2, VCF, VCT, VCT2, VDE2, VEP9, VK2, VKB2, VKE4, VKER, VKX4, VKXR, VPE5, VPE9, VPP9, VPX4, VPX9, VWC, VWC9, VWE, VWS, VWS1, VWT4, VXF, VXG, VXT, VZC2, VZP9, VZWE, VZXZ
5	15625-Z0T-800	PACKING, OIL FILLER CAP ······	2	-	2	-	-	-----	----- PA2, PAE2, PXD8, PXE8, PXU, QA2, QA26, QA4, QAA2, QAA6, QAE2, QAE4, QAE6, QAW, QC2, QDW9, QE, QK4, QKA4, QME0, QME2, QNE2, QNE6, QNE8, QNR2, QNR6, QTT, QWA4, QWC4, QWT2, QXB7, QXB9, QXC4, QXC6, QXC9, QXCU, QXE4, QXE6, QXE7, QXE8, QXE9, QXER, QXH9, QXQ4, QXS2, QXS4, QXU, QXUZ, SCK4, SHQ2, SHQ4, SM32, SMC1, SMC2, SMD3, SME0, SME6, SNC, STC4, SWA2, SWA4, SXB7, SXB9, SXE4, SXE8, SXQ4, SXU, VA2, VKX4, VM2, VN27, VNG1, VPX2, VPX4, VPX9, VSD7, VSD9, VX8, VXB7, VXB9, VXE2, VXE6, VXE7, VXE8, VXE9, VXG, VXQ4
	15625-ZE1-003	··········	2	-	-	-	-	----- 1549049	----- QHB4, VC2N
	15625-Z0T-800	··········	2	-	-	-	-	----- 1549050	----- QHB4, VC2N
			-	2	-	-	2	-----	----- PA2, PAE2, PKT, PXD8, PXE8, PXU, QA2, QA26, QA4, QAA2, QAA6, QAE2, QAE4, QAE6, QC1, QC2, QC3, QC4, QC5, QC6, QC9, QCDW, QCE2, QCWT, QDW9, QE, QHB4, QK4, QKA4, QMAH, QME0, QNE2, QNE8, QNR2, QNR6, QNRV, QWA4, QWC, QWC4, QWT2, QXAC, QXB7, QXB9, QXC4, QXC6, QXC9, QXCU, QXE4, QXE6, QXE7, QXE8, QXE9, QXEM, QXER, QXQ4, QXS4, QXU, QXUM, QXUZ, QZA2, QZAV, QZC, QZD, QZDS, QZHW, QZME, QZN2, QZND, QZNH, QZNR, QZRL, QZRV, QZX9, QZXR, SC1, SCC, SCK4, SCM, SCM1, SCM2, SCM3, SCMV, SE1C, SE2C, SHQ4, SHQ5, SHQ6, SM32, SMC1, SMD3, SME0, SME6, SMSC, SMX2, SMXC, SNC, STC4, SWA4, SXB7, SXB9, SXE4, SXE8, SXEM, SXQ4, SXU, SZEC, VA2, VM2, VN27, VSB9, VSD7, VSD9, VX8, VXB7, VXB9, VXE2, VXE7, VXE8, VXE9, VXQ4, VZS9, VZX7, VZX8



E-6

CRANKCASE COVER(1)



Ref. No.	Part No.	Description	Reqd. QTY					Serial No.	Parts catalogue code
			GX 390 UT1	GX 390 UT2	GX 390 RT1	GX 390 RT2	GX 390 UT2X		
(5)	15625-ZE1-003	PACKING, OIL FILLER CAP.....	-	-	2	-	-	1530497	QNB2, QWA2, VAA1, VAA8, VAC2, VAG2, VC2, VCN2, VD2, VDE2, VEP9, VK2, VKB2, VKE4, VPE5, VPE9, VS49, VSD4, VTH4, VWC, VWC9, VWE, VWT4
	15625-Z0T-800	-	-	2	-	1530498	-----	QNB2, QWA2, VAA1, VAA8, VAC2, VAG2, VC2, VCN2, VD2, VDE2, VEP9, VK2, VKB2, VKE4, VPE5, VPE9, VS49, VSD4, VTH4, VWC, VWC9, VWE, VWT4
			-	-	-	2	-		
6	16510-ZE3-000	GOVERNOR ASSY.	1	1	1	1	1	-----	ED6, EDD2, EDS6, EDT6, PA2, PAE2, PKT, PXD8, PXE8, PXM8, PXU, QA2, QA26, QA4, QAA2, QAA6, QAE2, QAE4, QAE6, QAGN, QAW, QC1, QC2, QC3, QC4, QC5, QC6, QC9, QCDW, QCE2, QCWT, QDW9, QE, QHB4, QK4, QKA4, QMAH, QME0, QME2, QNB2, QNE2, QNE6, QNE8, QNGN, QNR2, QNR6, QNRV, QTT, QWA2, QWA4, QWC, QWC4, QWT2, QXAC, QXB7, QXB9, QXC4, QXC6, QXC9, QXCU, QXE4, QXE6, QXE7, QXE8, QXE9, QXEM, QXER, QXH9, QXQ4, QXS2, QXS4, QXU, QXUM, QXUZ, SC1, SCC, SCK4, SCM, SCM1, SCM2, SCM3, SCMV, SDQ5, SE1C, SE2C, SHQ2, SHQ4, SHQ5, SHQ6, SM32, SMC1, SMC2, SMD3, SME0, SME6, SMES, SMSC, SMX2, SMXC, SNC, STC4, SWA2, SWA4, SXB7, SXB9, SXBG, SXE4, SXE8, SXEM, SXQ4, SXS6, SXU, VA2, VAA1, VAA8, VAC2, VAG2, VC2, VC2N, VCF, VCN2, VCT, VCT2, VD2, VDE2, VEP9, VK2, VKB2, VKE4, VKER, VKX4, VKXR, VM2, VN27, VNG1, VPE5, VPE9, VPP9, VPX2, VPX4, VPX9, VS49, VSB9, VSD4, VSD7, VSD9, VTH4, VWC, VWC9, VWE, VWS, VWT4, VX8, VXB7, VXB9, VXE2, VXE6, VXE7, VXE8, VXE9, VXF, VXG, VXQ4, VXT

E-6

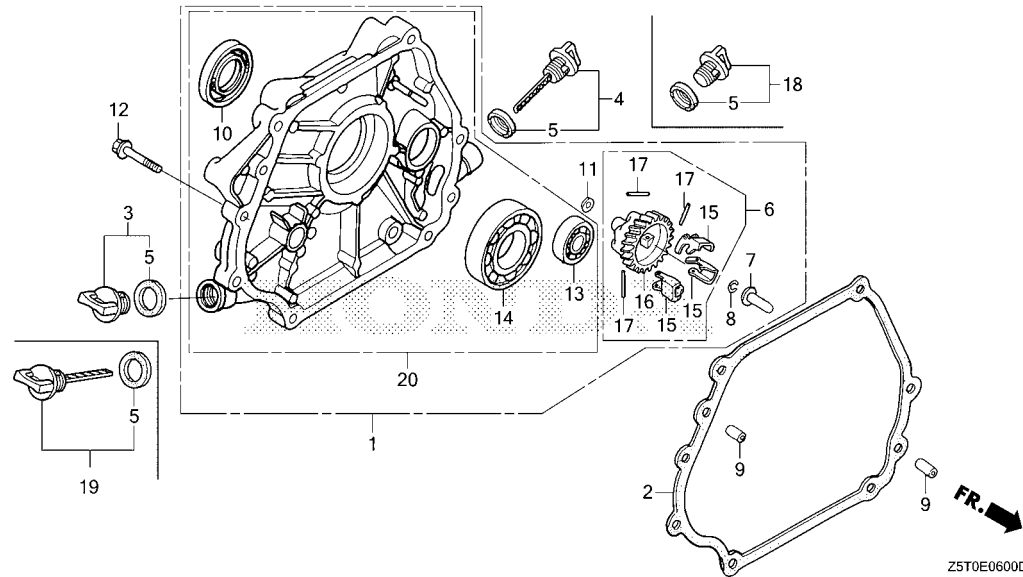
CRANKCASE COVER(1)

Ref. No.	Part No.	Description	Reqd. QTY					Serial No.	Parts catalogue code
			GX 390 UT1	GX 390 UT2	GX 390 RT1	GX 390 RT2	GX 390 UT2X		
7	16531-Z0A-000	SLIDER, GOVERNOR.....	1	1	1	1	1	-----	ED6, EDD2, EDS6, EDT6, PA2, PAE2, PKT, PXD8, PXE8, PXM8, PXU, QA2, QA26, QA4, QAA2, QAA6, QAE2, QAE4, QAE6, QAGN, QAW, QC1, QC2, QC3, QC4, QC5, QC6, QC9, QCDW, QCE2, QCWT, QDW9, QE, QHB4, QK4, QKA4, QMAH, QME0, QME2, QNB2, QNE2, QNE6, QNE8, QNGN, QNR2, QNR6, QNRV, QTT, QWA2, QWA4, QWC, QWC4, QWT2, QXAC, QXB7, QXB9, QXC4, QXC6, QXC9, QXCU, QXE4, QXE6, QXE7, QXE8, QXE9, QXEM, QXER, QXH9, QXQ4, QXS2, QXS4, QXU, QXUM, QXUZ, SC1, SCC, SCK4, SCM, SCM1, SCM2, SCM3, SCMV, SDQ5, SE1C, SE2C, SHQ2, SHQ4, SHQ5, SHQ6, SM32, SMC1, SMC2, SMD3, SME0, SME6, SMES, SMSC, SMX2, SMXC, SNC, STC4, SWA2, SWA4, SXB7, SXB9, SXBG, SXE4, SXE8, SXEM, SXQ4, SXS6, SXU, VA2, VAA1, VAA8, VAC2, VAG2, VC2, VC2N, VCF, VCN2, VCT, VCT2, VD2, VDE2, VEP9, VK2, VKB2, VKE4, VKER, VKX4, VKXR, VM2, VN27, VNG1, VPE5, VPE9, VPP9, VPX2, VPX4, VPX9, VS49, VSB9, VSD4, VSD7, VSD9, VTH4, VWC, VWC9, VWE, VWS, VWT4, VX8, VXB7, VXB9, VXE2, VXE6, VXE7, VXE8, VXE9, VXF, VXG, VXQ4, VXT
8	90602-ZE1-000	CLIP, GOVERNOR HOLDER.....	1	1	1	1	1	-----	ED6, EDD2, EDS6, EDT6, PA2, PAE2, PKT, PXD8, PXE8, PXM8, PXU, QA2, QA26, QA4, QAA2, QAA6, QAE2, QAE4, QAE6, QAGN, QAW, QC1, QC2, QC3, QC4, QC5, QC6, QC9, QCDW, QCE2, QCWT, QDW9, QE, QHB4, QK4, QKA4, QMAH, QME0, QME2, QNB2, QNE2, QNE6, QNE8, QNGN, QNR2, QNR6, QNRV, QTT, QWA2, QWA4, QWC, QWC4, QWT2, QXAC, QXB7, QXB9, QXC4, QXC6, QXC9, QXCU, QXE4, QXE6, QXE7, QXE8, QXE9, QXEM, QXER, QXH9, QXQ4, QXS2, QXS4, QXU, QXUM, QXUZ, SC1, SCC, SCK4, SCM, SCM1, SCM2, SCM3, SCMV, SDQ5, SE1C, SE2C, SHQ2, SHQ4, SHQ5, SHQ6, SM32, SMC1, SMC2, SMD3, SME0, SME6, SMES, SMSC, SMX2, SMXC, SNC, STC4, SWA2, SWA4, SXB7, SXB9, SXBG, SXE4, SXE8, SXEM, SXQ4, SXS6, SXU, VA2, VAA1, VAA8, VAC2, VAG2, VC2, VC2N, VCF, VCN2, VCT, VCT2, VD2, VDE2, VEP9, VK2, VKB2, VKE4, VKER, VKX4, VKXR, VM2, VN27, VNG1, VPE5, VPE9, VPP9, VPX2, VPX4, VPX9, VS49, VSB9, VSD4, VSD7, VSD9, VTH4, VWC, VWC9, VWE, VWS, VWT4, VX8, VXB7, VXB9, VXE2, VXE6, VXE7, VXE8, VXE9, VXF, VXG, VXQ4, VXT
9	90701-HC4-000	DOWEL PIN, 8X12.....	2	2	2	2	2	-----	ED6, EDD2, EDS6, EDT6, EZD2, EZDM, EZDS, EZDV, PA2, PAE2, PKT, PXD8, PXE8, PXM8, PXU, QA2, QA26, QA4, QAA2, QAA6, QAE2, QAE4, QAE6, QAGN, QAW, QC1, QC2, QC3, QC4, QC5, QC6, QC9, QCDW, QCE2, QCWT, QDW9, QE, QHB4, QK4, QKA4, QMAH, QME0, QME2, QNB2, QNE2, QNE6, QNE8, QNGN, QNR2, QNR6, QNRV, QTT, QWA2, QWA4, QWC, QWC4, QWT2, QXAC, QXB7, QXB9, QXC4, QXC6, QXC9, QXCU, QXE4, QXE6, QXE7, QXE8, QXE9, QXEM, QXER, QXH9, QXQ4, QXS2, QXS4, QXU, QXUM, QXUZ, QZA2, QZAV, QZC, QZD, QZDS, QZHW, QZME, QZN2, QZND, QZNH, QZNR, QZRL, QZRV, QZX9, QZXR, SC1, SCC, SCK4, SCM, SCM1, SCM2, SCM3, SCMV, SDQ5, SE1C, SE2C, SHQ2, SHQ4, SHQ5, SHQ6, SM32, SMC1, SMC2, SMD3, SME0, SME6, SMES, SMSC, SMX2, SMXC, SNC, STC4, SWA2, SWA4, SXB7, SXB9, SXBG, SXE4, SXE8, SXEM, SXQ4, SXS6, SXU, SZEC, VA2, VAA1, VAA8, VAC2, VAG2, VC2, VC2N, VCF, VCN2, VCT, VCT2, VD2, VDE2, VEP9, VK2, VKB2, VKE4, VKER, VKX4, VKXR, VM2, VN27, VNG1, VPE5, VPE9, VPP9, VPX2, VPX4, VPX9, VS49, VSB9, VSD4, VSD7, VSD9, VTH4, VWC, VWC9, VWE, VWS, VWS1, VWT4, VX8, VXB7, VXB9, VXE2, VXE6, VXE7, VXE8, VXE9, VXF, VXG, VXQ4, VXT, VZC2, VZP9, VZS9, VZWE, VZX7, VZX8, VZXZ



E-6

CRANKCASE COVER(1)



Ref. No.	Part No.	Description	Reqd. QTY					Serial No.	Parts catalogue code
			GX 390 UT1	GX 390 UT2	GX 390 RT1	GX 390 RT2	GX 390 UT2X		
10	91201-Z1C-003	OIL SEAL, 35X52X8(NOK).....	1	1	1	1	1	-----	ED6, EDD2, EDS6, EDT6, EZD2, EZDM, EZDS, EZDV, PA2, PAE2, PKT, PXD8, PXE8, PXM8, PXU, QA2, QA26, QA4, QAA2, QAA6, QAE2, QAE4, QAE6, QAGN, QAW, QC1, QC2, QC3, QC4, QC5, QC6, QC9, QCDW, QCE2, QCWT, QDW9, QE, QHB4, QK4, QKA4, QMAH, QME0, QME2, QNB2, QNE2, QNE6, QNE8, QNGN, QNR2, QNR6, QNRV, QTT, QWA2, QWA4, QWC, QWC4, QWT2, QXAC, QXB7, QXB9, QXC4, QXC6, QXC9, QXCU, QXE4, QXE6, QXE7, QXE8, QXE9, QXEM, QXER, QXH9, QXQ4, QXS2, QXS4, QXU, QXUM, QXUZ, QZA2, QZAV, QZC, QZD, QZDS, QZHW, QZME, QZN2, QZND, QZNH, QZNR, QZRL, QZRV, QZX9, QZXR, SC1, SCC, SCK4, SCM, SCM1, SCM2, SCM3, SCMV, SDQ5, SE1C, SE2C, SHQ2, SHQ4, SHQ5, SHQ6, SM32, SMC1, SMC2, SMD3, SME0, SME6, SMES, SMSC, SMX2, SMXC, SNC, STC4, SWA2, SWA4, SXB7, SXB9, SXBG, SXE4, SXE8, SXEM, SXQ4, SXS6, SXU, SZEC, VA2, VAA1, VAA8, VAC2, VAG2, VC2, VC2N, VCF, VCN2, VCT, VCT2, VD2, VDE2, VEP9, VK2, VKB2, VKE4, VKER, VKX4, VKXR, VM2, VN27, VNG1, VPE5, VPE9, VPP9, VPX2, VPX4, VPX9, VS49, VSB9, VSD4, VSD7, VSD9, VTH4, VWC, VWC9, VWE, VWS, VWT4, VX8, VXB7, VXB9, VXE2, VXE6, VXE7, VXE8, VXE9, VXF, VXG, VXQ4, VXT, VZC2, VZP9, VZS9, VZWE, VZX7, VZX8, VZXZ

E-6

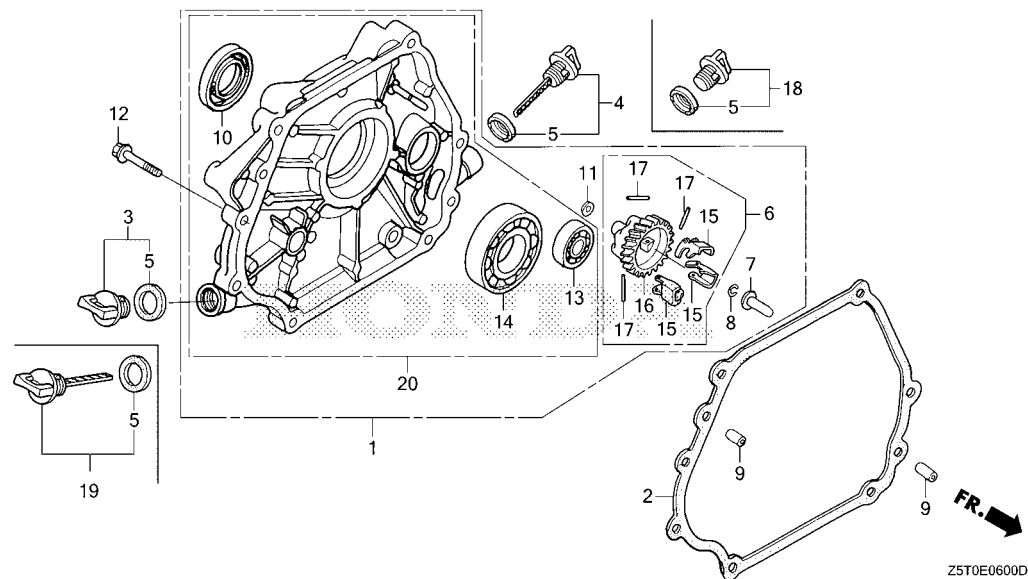
CRANKCASE COVER(1)

Ref. No.	Part No.	Description	Reqd. QTY					Serial No.	Parts catalogue code
			GX 390 UT1	GX 390 UT2	GX 390 RT1	GX 390 RT2	GX 390 UT2X		
11	94101-06800	WASHER, PLAIN, 6MM.....	1	1	1	1	1	-----	ED6, EDD2, EDS6, EDT6, PA2, PAE2, PKT, PXD8, PXE8, PXM8, PXU, QA2, QA26, QA4, QAA2, QAA6, QAE2, QAE4, QAE6, QAGN, QAW, QC1, QC2, QC3, QC4, QC5, QC6, QC9, QCDW, QCE2, QCWT, QDW9, QE, QHB4, QK4, QKA4, QMAH, QME0, QME2, QNB2, QNE2, QNE6, QNE8, QNGN, QNR2, QNR6, QNRV, QTT, QWA2, QWA4, QWC, QWC4, QWT2, QXAC, QXB7, QXB9, QXC4, QXC6, QXC9, QXCU, QXE4, QXE6, QXE7, QXE8, QXE9, QXEM, QXER, QXH9, QXQ4, QXS2, QXS4, QXU, QXUM, QXUZ, SC1, SCC, SCK4, SCM, SCM1, SCM2, SCM3, SCMV, SDQ5, SE1C, SE2C, SHQ2, SHQ4, SHQ5, SHQ6, SM32, SMC1, SMC2, SMD3, SME0, SME6, SMES, SMSC, SMX2, SMXC, SNC, STC4, SWA2, SWA4, SXB7, SXB9, SXBG, SXE4, SXE8, SXEM, SXQ4, SXS6, SXU, VA2, VAA1, VAA8, VAC2, VAG2, VAC2, VCN2, VCF, VCN2, VCT, VCT2, VD2, VDE2, VEP9, VK2, VKB2, VKE4, VKER, VKX4, VKXR, VM2, VN27, VNG1, VPE5, VPE9, VPP9, VPX2, VPX4, VPX9, VS49, VSB9, VSD4, VSD7, VSD9, VTH4, VWC, VWC9, VWE, VWS, VWT4, VX8, VXB7, VXB9, VXE2, VXE6, VXE7, VXE8, VXE9, VXF, VXG, VXQ4, VXT
12	95701-08040-00	BOLT, FLANGE, 8X40.....	7	7	7	7	7	-----	ED6, EDD2, EDS6, EDT6, EZD2, EZDM, EZDS, EZDV, PA2, PAE2, PKT, PXD8, PXE8, PXM8, PXU, QA2, QA26, QA4, QAA2, QAA6, QAE2, QAE4, QAE6, QAGN, QAW, QC1, QC2, QC3, QC4, QC5, QC6, QC9, QCDW, QCE2, QCWT, QDW9, QE, QHB4, QK4, QKA4, QMAH, QME0, QME2, QNB2, QNE2, QNE6, QNE8, QNGN, QNR2, QNR6, QNRV, QTT, QWA2, QWA4, QWC, QWC4, QWT2, QXAC, QXB7, QXB9, QXC4, QXC6, QXC9, QXCU, QXE4, QXE6, QXE7, QXE8, QXE9, QXEM, QXER, QXH9, QXQ4, QXS2, QXS4, QXU, QXUM, QXUZ, QZA2, QZAV, QZC, QZD, QZDS, QZHW, QZME, QZN2, QZND, QZNH, QZNR, QZRL, QZRV, QZX9, QZXR, SC1, SCC, SCK4, SCM, SCM1, SCM2, SCM3, SCMV, SDQ5, SE1C, SE2C, SHQ2, SHQ4, SHQ5, SHQ6, SM32, SMC1, SMC2, SMD3, SME0, SME6, SMES, SMSC, SMX2, SMXC, SNC, STC4, SWA2, SWA4, SXB7, SXB9, SXBG, SXE4, SXE8, SXEM, SXQ4, SXS6, SXU, SZEC, VA2, VAA1, VAA8, VAC2, VAG2, VAC2, VCN2, VCF, VCN2, VCT, VCT2, VD2, VDE2, VEP9, VK2, VKB2, VKE4, VKER, VKX4, VKXR, VM2, VN27, VNG1, VPE5, VPE9, VPP9, VPX2, VPX4, VPX9, VS49, VSB9, VSD4, VSD7, VSD9, VTH4, VWC, VWC9, VWE, VWS, VWS1, VWT4, VX8, VXB7, VXB9, VXE2, VXE6, VXE7, VXE8, VXE9, VXF, VXG, VXQ4, VXT, VZC2, VZP9, VZS9, VZWE, VZX7, VZX8, VZXZ
13	96100-62020-00	BEARING, RADIAL BALL, 6202...	1	1	1	1	1	-----	ED6, EDD2, EDS6, EDT6, EZD2, EZDM, EZDS, EZDV, PA2, PAE2, PKT, PXD8, PXE8, PXM8, PXU, QA2, QA26, QA4, QAA2, QAA6, QAE2, QAE4, QAE6, QAGN, QAW, QC1, QC2, QC3, QC4, QC5, QC6, QC9, QCDW, QCE2, QCWT, QDW9, QE, QHB4, QK4, QKA4, QMAH, QME0, QME2, QNB2, QNE2, QNE6, QNE8, QNGN, QNR2, QNR6, QNRV, QTT, QWA2, QWA4, QWC, QWC4, QWT2, QXAC, QXB7, QXB9, QXC4, QXC6, QXC9, QXCU, QXE4, QXE6, QXE7, QXE8, QXE9, QXEM, QXER, QXH9, QXQ4, QXS2, QXS4, QXU, QXUM, QXUZ, QZA2, QZAV, QZC, QZD, QZDS, QZHW, QZME, QZN2, QZND, QZNH, QZNR, QZRL, QZRV, QZX9, QZXR, SC1, SCC, SCK4, SCM, SCM1, SCM2, SCM3, SCMV, SDQ5, SE1C, SE2C, SHQ2, SHQ4, SHQ5, SHQ6, SM32, SMC1, SMC2, SMD3, SME0, SME6, SMES, SMSC, SMX2, SMXC, SNC, STC4, SWA2, SWA4, SXB7, SXB9, SXBG, SXE4, SXE8, SXEM, SXQ4, SXS6, SXU, SZEC, VA2, VAA1, VAA8, VAC2, VAG2, VAC2, VCN2, VCF, VCN2, VCT, VCT2, VD2, VDE2, VEP9, VK2, VKB2, VKE4, VKER, VKX4, VKXR, VM2, VN27, VNG1, VPE5, VPE9, VPP9, VPX2, VPX4, VPX9, VS49, VSB9, VSD4, VSD7, VSD9, VTH4, VWC, VWC9, VWE, VWS, VWT4, VX8, VXB7, VXB9, VXE2, VXE6, VXE7, VXE8, VXE9, VXF, VXG, VXQ4, VXT, VZC2, VZP9, VZS9, VZWE, VZX7, VZX8, VZXZ



E-6

CRANKCASE COVER(1)



Ref. No.	Part No.	Description	Reqd. QTY					Serial No.	Parts catalogue code
			GX 390	GX 390	GX 390	GX 390	GX 390		
13)	91004-KZR-602	BEARING, RADIAL BALL, 6202 (FUJIKOSHI)	UT1	UT2	RT1	RT2	UT2X		
			-	1	-	-	-	3357589	----- PA2, PAE2, PXD8, PXE8, PXU, QA2, QA4, QAA2, QAE2, QC1, QC2, QC3, QC4, QC5, QC6, QC9, QCDW, QCE2, QCWT, QE, QHB4, QK4, QKA4, QME0, QNE2, QNR2, QWA4, QWC, QWT2, QXAC, QXB7, QXB9, QXC4, QXC9, QXCU, QXE4, QXE6, QXE7, QXE8, QXE9, QXEM, QXER, QXQ4, QXU, QXUM, QXUZ, SC1, SNC, VN27, VSB9, VSD9, VX8, VXB7, VXB9, VXE2, VXE7, VXE8, VXE9
			-	1	-	-	-	3364590	----- QMAH, SCK4, SCM1, SHQ4, SHQ5, SHQ6, SM32, SMC1, SMD3, SME0, SME6, STC4, SWA4, SXB7, SXBG, SXE4, SXEM, SXQ4
			-	1	-	-	-	3365518	----- PKT, SCC, SCM, SCM2, SMX2
			-	-	-	1	-	3359808	----- PXM8, QNB2, QNGN, QTT, VC2, VCT, VCT2, VDE2, VEP9, VKE4, VKER, VKX4, VKXR, VPE9, VPP9, VPX9, VSD4, VVC, VVC9, VWE, VWT4, VXG, VXT
			-	-	-	1	-	3364584	----- EDS6, EDT6, SDQ5, SMES
			-	-	-	-	1	-----	----- PAE2, QA2, QAA2, QAE2, QC9, QCDW, QNE2, QNR2, QXE4, QXQ4, QXUZ, SE2C, SXQ4

E-6

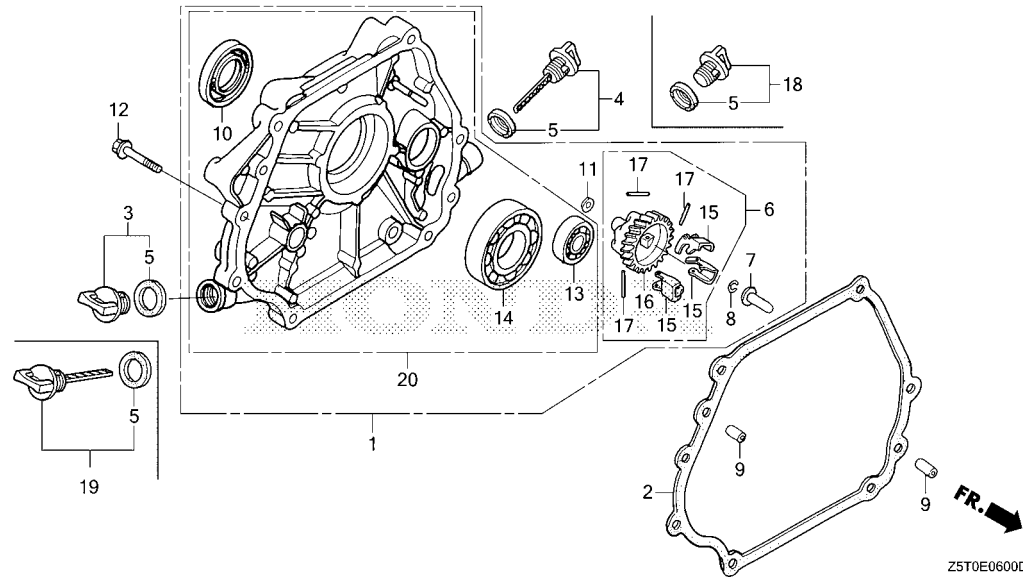
CRANKCASE COVER(1)

Ref. No.	Part No.	Description	Reqd. QTY					Serial No.	Parts catalogue code
			GX 390 UT1	GX 390 UT2	GX 390 RT1	GX 390 RT2	GX 390 UT2X		
14	96100-62070-00	BEARING, RADIAL BALL, 6207 ...	1	1	1	1	1	-----	ED6, EDD2, EDS6, EDT6, EZD2, EZDM, EZDS, EZDV, PA2, PAE2, PKT, PXD8, PXE8, PXM8, PXU, QA2, QA26, QA4, QAA2, QAA6, QAE2, QAE4, QAE6, QAGN, QAW, QC1, QC2, QC3, QC4, QC5, QC6, QC9, QCDW, QCE2, QCWT, QDW9, QE, QHB4, QK4, QKA4, QMAH, QME0, QME2, QNB2, QNE2, QNE6, QNE8, QNGN, QNR2, QNR6, QNRV, QTT, QWA2, QWA4, QWC, QWC4, QWT2, QXAC, QXB7, QXB9, QXC4, QXC6, QXC9, QXCU, QXE4, QXE6, QXE7, QXE8, QXE9, QXEM, QXER, QXH9, QXQ4, QXS2, QXS4, QXU, QXUM, QXUZ, QZA2, QZAV, QZC, QZD, QZDS, QZHW, QZME, QZND, QZNH, QZNR, QZRL, QZRV, QZX9, QZXR, SC1, SCC, SCK4, SCM, SCM1, SCM2, SCM3, SCMV, SDQ5, SE1C, SE2C, SHQ2, SHQ4, SHQ5, SHQ6, SM32, SMC1, SMC2, SMD3, SME0, SME6, SMES, SMSC, SMX2, SMXC, SNC, STC4, SWA2, SWA4, SXB7, SXB9, SXBG, SXE4, SXE8, SXEM, SXQ4, SXS6, SXU, SZEC, VA2, VAA1, VAA8, VAC2, VAG2, VC2, VC2N, VCF, VCN2, VCT, VCT2, VD2, VDE2, VEP9, VK2, VKB2, VKE4, VKER, VKX4, VKXR, VM2, VN27, VNG1, VPE5, VPE9, VPP9, VPX2, VPX4, VPX9, VSB9, VSD4, VSD7, VSD9, VTH4, VWC, VWC9, VWE, VWS, VWT4, VX8, VXB7, VXB9, VXE2, VXE6, VXE7, VXE8, VXE9, VXF, VXG, VXQ4, VXT, VZC2, VZP9, VZS9, VZWE, VZX7, VZX8, VZXZ
15	16511-ZE8-000	WEIGHT, GOVERNOR	3	3	3	3	3	-----	ED6, EDD2, EDS6, EDT6, PA2, PAE2, PKT, PXD8, PXE8, PXM8, PXU, QA2, QA26, QA4, QAA2, QAA6, QAE2, QAE4, QAE6, QAGN, QAW, QC1, QC2, QC3, QC4, QC5, QC6, QC9, QCDW, QCE2, QCWT, QDW9, QE, QHB4, QK4, QKA4, QMAH, QME0, QME2, QNB2, QNE2, QNE6, QNE8, QNGN, QNR2, QNR6, QNRV, QTT, QWA2, QWA4, QWC, QWC4, QWT2, QXAC, QXB7, QXB9, QXC4, QXC6, QXC9, QXCU, QXE4, QXE6, QXE7, QXE8, QXE9, QXEM, QXER, QXH9, QXQ4, QXS2, QXS4, QXU, QXUM, QXUZ, SC1, SCC, SCK4, SCM, SCM1, SCM2, SCM3, SCMV, SDQ5, SE1C, SE2C, SHQ2, SHQ4, SHQ5, SHQ6, SM32, SMC1, SMC2, SMD3, SME0, SME6, SMES, SMSC, SMX2, SMXC, SNC, STC4, SWA2, SWA4, SXB7, SXB9, SXBG, SXE4, SXE8, SXEM, SXQ4, SXS6, SXU, VA2, VAA1, VAA8, VAC2, VAG2, VC2, VC2N, VCF, VCN2, VCT, VCT2, VD2, VDE2, VEP9, VK2, VKB2, VKE4, VKER, VKX4, VKXR, VM2, VN27, VNG1, VPE5, VPE9, VPP9, VPX2, VPX4, VPX9, VS49, VSB9, VSD4, VSD7, VSD9, VTH4, VWC, VWC9, VWE, VWS, VWT4, VX8, VXB7, VXB9, VXE2, VXE6, VXE7, VXE8, VXE9, VXF, VXG, VXQ4, VXT
16	16512-ZE3-000	HOLDER, GOVERNOR WEIGHT	1	1	1	1	1	-----	ED6, EDD2, EDS6, EDT6, PA2, PAE2, PKT, PXD8, PXE8, PXM8, PXU, QA2, QA26, QA4, QAA2, QAA6, QAE2, QAE4, QAE6, QAGN, QAW, QC1, QC2, QC3, QC4, QC5, QC6, QC9, QCDW, QCE2, QCWT, QDW9, QE, QHB4, QK4, QKA4, QMAH, QME0, QME2, QNB2, QNE2, QNE6, QNE8, QNGN, QNR2, QNR6, QNRV, QTT, QWA2, QWA4, QWC, QWC4, QWT2, QXAC, QXB7, QXB9, QXC4, QXC6, QXC9, QXCU, QXE4, QXE6, QXE7, QXE8, QXE9, QXEM, QXER, QXH9, QXQ4, QXS2, QXS4, QXU, QXUM, QXUZ, SC1, SCC, SCK4, SCM, SCM1, SCM2, SCM3, SCMV, SDQ5, SE1C, SE2C, SHQ2, SHQ4, SHQ5, SHQ6, SM32, SMC1, SMC2, SMD3, SME0, SME6, SMES, SMSC, SMX2, SMXC, SNC, STC4, SWA2, SWA4, SXB7, SXB9, SXBG, SXE4, SXE8, SXEM, SXQ4, SXS6, SXU, VA2, VAA1, VAA8, VAC2, VAG2, VC2, VC2N, VCF, VCN2, VCT, VCT2, VD2, VDE2, VEP9, VK2, VKB2, VKE4, VKER, VKX4, VKXR, VM2, VN27, VNG1, VPE5, VPE9, VPP9, VPX2, VPX4, VPX9, VS49, VSB9, VSD4, VSD7, VSD9, VTH4, VWC, VWC9, VWE, VWS, VWT4, VX8, VXB7, VXB9, VXE2, VXE6, VXE7, VXE8, VXE9, VXF, VXG, VXQ4, VXT



E-6

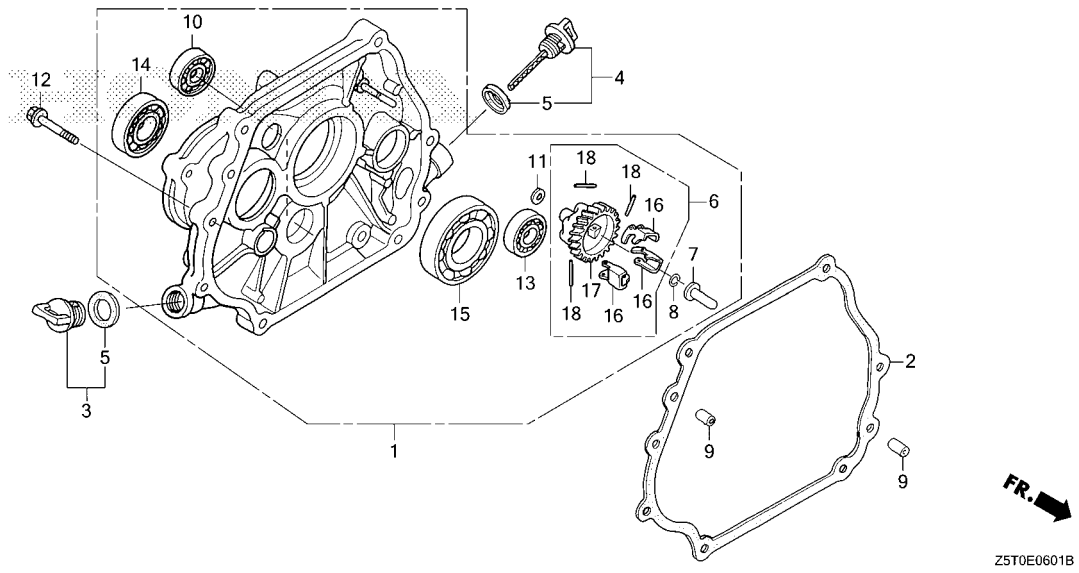
CRANKCASE COVER(1)



Ref. No.	Part No.	Description	Reqd. QTY					Serial No.	Parts catalogue code
			GX 390 UT1	GX 390 UT2	GX 390 RT1	GX 390 RT2	GX 390 UT2X		
17	16513-ZE2-000	PIN, GOVERNOR WEIGHT	3	3	3	3	3	-----	ED6, EDD2, EDS6, EDT6, PA2, PAE2, PKT, PXD8, PXE8, PXM8, PXU, QA2, QA26, QA4, QAA2, QAA6, QAE2, QAE4, QAE6, QAGN, QAW, QC1, QC2, QC3, QC4, QC5, QC6, QC9, QCDW, QCE2, QCWT, QDW9, QE, QHB4, QK4, QKA4, QMAH, QME0, QME2, QNB2, QNE2, QNE6, QNE8, QNGN, QNR2, QNR6, QNRV, QTT, QWA2, QWA4, QWC, QWC4, QWT2, QXAC, QXB7, QXB9, QXC4, QXC6, QXC9, QXCU, QXE4, QXE6, QXE7, QXE8, QXE9, QXEM, QXER, QXH9, QXQ4, QXS2, QXS4, QXU, QXUM, QXUZ, SC1, SCC, SCK4, SCM, SCM1, SCM2, SCM3, SCMV, SDQ5, SE1C, SE2C, SHQ2, SHQ4, SHQ5, SHQ6, SM32, SMC1, SMC2, SMD3, SME0, SME6, SMES, SMSC, SMX2, SMXC, SNC, STC4, SWA2, SWA4, SXB7, SXB9, SXBG, SXE4, SXE8, SXEM, SXQ4, SXS6, SXU, VA2, VAA1, VAA8, VAC2, VAG2, VC2, VC2N, VCF, VCN2, VCT, VCT2, VD2, VDE2, VEP9, VK2, VKB2, VKE4, VKER, VKX4, VKXR, VM2, VN27, VNG1, VPES, VPE9, VPP9, VPX2, VPX4, VPX9, VS49, VSB9, VSD4, VSD7, VSD9, VTH4, VVC, VVC9, VVE, VWS, VWT4, VX8, VXB7, VXB9, VXE2, VXE6, VXE7, VXE8, VXE9, VXF, VXG, VXQ4, VXT
18	15600-ZG4-003 15600-Z0T-820	CAP ASSY., OIL FILLER CAP ASSY., OIL FILLER(BLACK)	-	-	1	-	-	-----	1530497 VS49, VSD4, VTH4 ----- VS49, VSD4, VTH4
19	15600-735-003 15600-Z1C-000	CAP ASSY., OIL FILLER	-	-	1	-	-	-----	VSD4 1530497 VKE4 ----- VKE4
20	11300-Z5T-W10 11300-Z5T-W00	COVER ASSY., CRANKCASE	-	1	-	1	1	-----	SE2C, VKE4, VKER ----- QZA2, QZAV, QZC, QZD, QZDS, QZHW, QZME, QZN2, QZND, QZNH, QZNR, QZRL, QZRV, QZX9, QZXR, SZEC, VZC2, VZP9, VZS9, VZWE, VZX7, VZX8, VZXZ ----- EZD2, EZDM, EZDS, EZDV

E-6-1

CRANKCASE COVER(2)



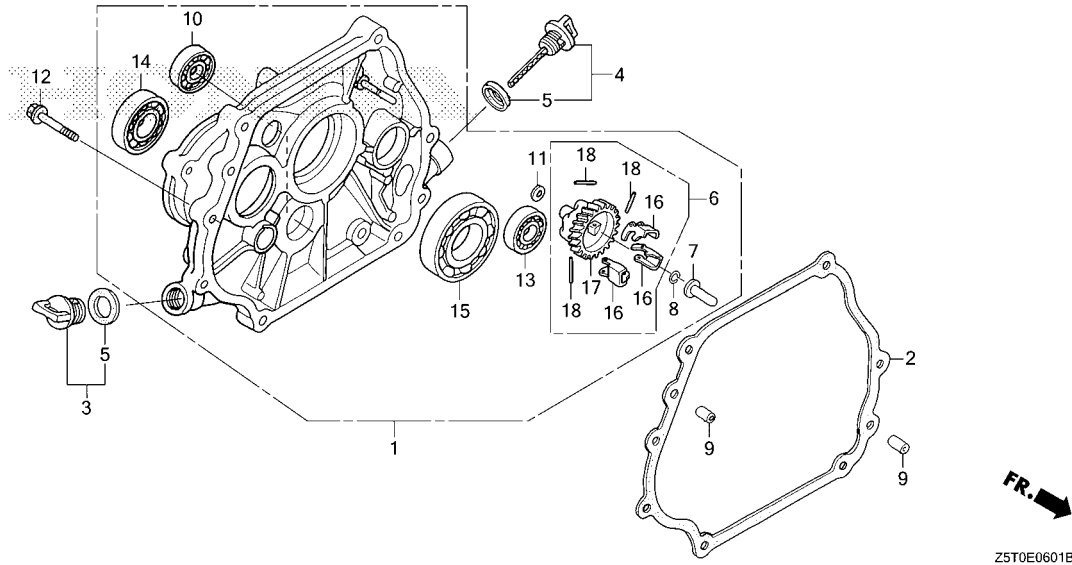
Ref. L.O.N. (Relative ref. Number) F.R.T.
No. Description

Ref. No.	Part No.	Description	Reqd. QTY					Serial No.	Parts catalogue code
			GX 390 UT1	GX 390 UT2	GX 390 RT1	GX 390 RT2	GX 390 UT2X		
1	11300-ZF6-W32	COVER ASSY., CRANKCASE	1	-	-	-	-	HA2	
	11300-ZE3-614	1	-	-	-	-	LKE, LX2, LXE4, LXE8, LXQ4, LXU	
	11300-ZF6-W32	-	1	-	-	3361883	LFU, LKE, LX2, LXE4, LXE5, LXE8, LXQ4, LXU	
	11300-ZE3-615	-	1	-	-	3361884	HA2	
	11300-ZF6-W33	-	1	-	-	3361892	LFU, LKE, LX2, LXE4, LXE5, LXE8, LXQ4, LXU	
	11300-ZE3-615	-	-	-	-	1	HA2	
2	11381-ZE3-801	PACKING, CASE COVER	1	-	-	-	-	LFU, LKE, LX2, LXE4, LXE5, LXE8, LXQ4, LXU	
	11381-Z5T-000	PACKING, CRANKCASE COVER	-	1	-	-	1	HA2, LKE, LX2, LXE4, LXE5, LXE8, LXQ4, LXU	
3	15600-Z0T-820	CAP ASSY., OIL FILLER(BLACK)	1	1	-	-	1	HA2, LFU, LKE, LX2, LXE4, LXE5, LXE8, LXQ4, LXU	
4	15600-Z1C-000	CAP ASSY., OIL FILLER	1	1	-	-	1	HA2, LFU, LKE, LX2, LXE4, LXE5, LXE8, LXQ4, LXU	
5	15625-Z0T-800	PACKING, OIL FILLER CAP	2	2	-	-	2	HA2, LFU, LKE, LX2, LXE4, LXE5, LXE8, LXQ4, LXU	
6	16510-ZE3-000	GOVERNOR ASSY.	1	1	-	-	1	HA2, LFU, LKE, LX2, LXE4, LXE5, LXE8, LXQ4, LXU	
7	16531-Z0A-000	SLIDER, GOVERNOR	1	1	-	-	1	HA2, LFU, LKE, LX2, LXE4, LXE5, LXE8, LXQ4, LXU	
8	90602-ZE1-000	CLIP, GOVERNOR HOLDER	1	1	-	-	1	HA2, LFU, LKE, LX2, LXE4, LXE5, LXE8, LXQ4, LXU	
9	90701-HC4-000	DOWEL PIN, 8X12	2	2	-	-	2	HA2, LFU, LKE, LX2, LXE4, LXE5, LXE8, LXQ4, LXU	
10	91009-KJ1-003	BEARING, RADIAL BALL, 6202 (NTN)	1	1	-	-	1	HA2, LFU, LKE, LX2, LXE4, LXE5, LXE8, LXQ4, LXU	
11	94101-06800	WASHER, PLAIN, 6MM	1	1	-	-	1	HA2, LFU, LKE, LX2, LXE4, LXE5, LXE8, LXQ4, LXU	
12	95701-08040-00	BOLT, FLANGE, 8X40	7	7	-	-	7	HA2, LFU, LKE, LX2, LXE4, LXE5, LXE8, LXQ4, LXU	
13	96100-62020-00	BEARING, RADIAL BALL, 6202	1	1	-	-	1	HA2, LFU, LKE, LX2, LXE4, LXE5, LXE8, LXQ4, LXU	
	91004-KZR-602	BEARING, RADIAL BALL, 6202 (FUJIKOSHI)	-	1	-	-	3361884	LFU, LKE, LX2, LXE4, LXE5, LXE8, LXQ4, LXU	
			-	1	-	-	3361892	HA2	
14	91102-GE0-003	BEARING, RADIAL BALL, 6204 (TOYO)	1	1	-	-	1	HA2	



E-6-1

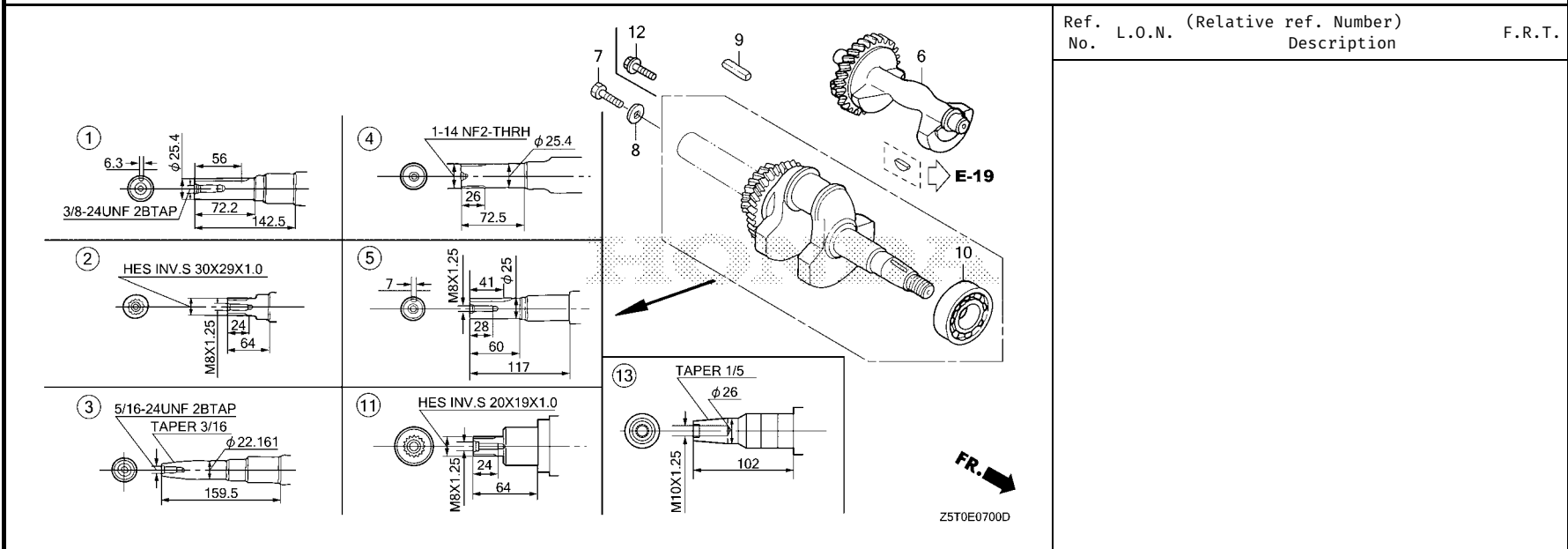
CRANKCASE COVER(2)



Ref. No.	Part No.	Description	Reqd. QTY					Serial No.	Parts catalogue code
			GX 390 UT1	GX 390 UT2	GX 390 RT1	GX 390 RT2	GX 390 UT2X		
14)	96100-62040-00	BEARING, RADIAL BALL, 6204...	1	1	-	-	1	-----	LFU, LKE, LX2, LXE4, LXE5, LXE8, LXQ4, LXU
15	96100-62070-00	BEARING, RADIAL BALL, 6207...	1	1	-	-	1	-----	HA2, LFU, LKE, LX2, LXE4, LXE5, LXE8, LXQ4, LXU
16	16511-ZE8-000	WEIGHT, GOVERNOR.....	3	3	-	-	3	-----	HA2, LFU, LKE, LX2, LXE4, LXE5, LXE8, LXQ4, LXU
17	16512-ZE3-000	HOLDER, GOVERNOR WEIGHT.....	1	1	-	-	1	-----	HA2, LFU, LKE, LX2, LXE4, LXE5, LXE8, LXQ4, LXU
18	16513-ZE2-000	PIN, GOVERNOR WEIGHT.....	3	3	-	-	3	-----	HA2, LFU, LKE, LX2, LXE4, LXE5, LXE8, LXQ4, LXU

E-7

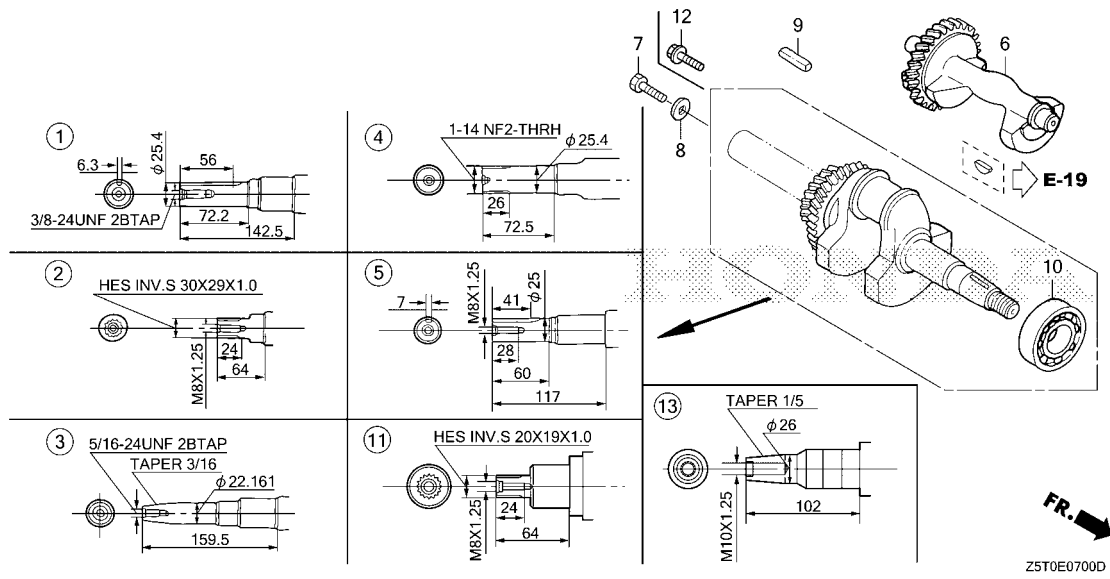
CRANKSHAFT



Ref. No.	Part No.	Description	Reqd. QTY					Serial No.	Parts catalogue code
			GX 390 UT1	GX 390 UT2	GX 390 RT1	GX 390 RT2	GX 390 UT2X		
1	13310-ZK6-602	CRANKSHAFT COMP.	1	1	-	-	1	-----	QXAC, QXB7, QXB9, QXE7, QXE9, QXH9, QZHW, QZRL, QZX9
	13310-ZF6-W12	1	-	1	1	-	-----	QA4, QAE2, QAE4, QAE6, QAGN, QAW, QC2, QDW9, QE, QHB4, QK4, QKA4, QME0, QME2, QNB2, QNE2, QNE6, QNE8, QNGN, QNR2, QNR6, QTT, QWA2, QWA4, QWC4, QWT2, QXC4, QXC6, QXC9, QXCU, QXE4, QXE6, QXER, QXS2, QXS4, QXUZ
	13310-ZF6-W11	1	-	-	-	-	1199162	QA2, QA26, QAA2, QAA6, QXE8, QXQ4, QXU
	13310-ZF6-W12	1	-	-	-	-	1199163	QA2, QA26, QAA2, QAA6, QAE2, QAE4, QAE6, QC1, QC2, QC3, QC4, QC5, QC6, QC9, QCDW, QCE2, QCWT, QDW9, QE, QHB4, QK4, QKA4, QMAH, QME0, QNE2, QNE8, QNR2, QNR6, QNRV, QWA4, QWC, QWC4, QWT2, QXC4, QXC6, QXC9, QXCU, QXE4, QXE6, QXE8, QXEM, QXER, QXQ4, QXS4, QXU, QXUM, QXUZ, QZA2, QZAV, QZC, QZD, QZDS, QZME, QZN2, QZND, QZNH, QZNR, QZRV, QZXR
	13310-ZF6-W22	CRANKSHAFT COMP.	1	-	-	-	-	-----	LKE, LX2, LXE4, LXQ4
	13310-ZF6-W21	1	-	-	-	-	1141663	LXE8, LXU
	13310-ZF6-W22	1	-	-	-	-	1141664	LXE8, LXU
	13310-ZF6-W22	1	-	1	-	1	-----	LFU, LKE, LX2, LXE4, LXE5, LXE8, LXQ4, LXU
	13310-ZK6-672	CRANKSHAFT COMP.	1	1	1	1	1	-----	VEP9, VN27, VPE9, VPP9, VPX9, VS49, VSB9, VSD7, VSD9, VWC9, VXB7, VXB9, VXE7, VXE9, VZP9, VZS9, VZX7, VZXZ
	13310-ZF6-W42	1	-	1	1	-	-----	VA2, VAA1, VAA8, VAC2, VAG2, VC2, VC2N, VCF, VCN2, VCT, VCT2, VD2, VDE2, VK2, VKB2, VKE4, VKER, VKX4, VKXR, VM2, VNG1, VPE5, VPX2, VPX4, VSD4, VTH4, VWC, VWE, VWS, VWS1, VWT4, VXE2, VXE6, VXF, VXG, VXQ4, VXT, VZC2, VZWE
13310-ZF6-W41	1	-	-	-	-	1208706	VX8, VXE8	
13310-ZF6-W42	1	-	-	-	-	1208707	VX8, VXE8	
4	13310-ZF6-W62	CRANKSHAFT COMP.	1	-	-	1	-	-----	VA2, VM2, VX8, VXE2, VXE8, VXQ4, VZX8
	13310-ZF6-W61	1	-	-	-	-	1271955	PA2, PAE2, PXD8, PXM8, PXE8, PXU



CRANKSHAFT



Ref. No.	Part No.	Description	Reqd. QTY					Serial No.	Parts catalogue code
			GX 390 UT1	GX 390 UT2	GX 390 RT1	GX 390 RT2	GX 390 UT2X		
(4)	13310-ZF6-W62	CRANKSHAFT COMP.	1	-	-	-	1271956	----- PXE8, PXU ----- PA2, PAE2, PKT, PxD8, PXE8, PXU	
5	13310-ZK6-020	CRANKSHAFT COMP.	1	1	-	-	-----	----- SXB7, SXB9	
	13310-ZF6-W72	1	-	-	1	-----	----- SCK4, SDQ5, SHQ2, SHQ4, SM32, SMC1, SMC2, SMD3, SME0, SME6, SMES ----- SNC, STC4, SWA2, SWA4, SXE4, SXS6, SXU	
	13310-ZF6-W71	1	-	-	-	1196462	----- SXE8, SXQ4	
	13310-ZF6-W72	1	-	-	-	1196463	----- SXE8, SXQ4	
			-	1	-	-	-----	----- SC1, SCC, SCK4, SCM, SCM1, SCM2, SCM3, SCMV, SE1C, SE2C, SHQ4, SHQ5 ----- SHQ6, SM32, SMC1, SMD3, SME0, SME6, SMSC, SMX2, SMXC, SNC, STC4 ----- SWA4, SXBG, SXE4, SXE8, SXEM, SXQ4, SXU, SZEC	
6	13351-ZE3-010	WEIGHT, BALANCER	1	-	1	-	-----	----- EDS6, EDT6, EZDM, EZDS, EZDV, LFU, LXE5, QAGN, QC1, QC3, QC4, QC5 ----- QC6, QC9, QCDW, QCE2, QCWT, QMAH, QNGN, QNRV, QXAC, QZC, QZD, QZDS ----- QZHW, QZME, QZND, QZRL, QZRV, SC1, SCC, SCM, SCM1, SCM2, SCM3, SHQ6 ----- SMES, SMSC, SMXC, SXBG, SXEM, SXS6, SZEC, VCF, VCT, VCT2, VKE4, VKX4 ----- VPP9, VSB9, VVC, VVE, VVS1, VXF, VXT, VZS9, VZXZ	
	13351-Z1C-900	-	1	-	1	-----	----- HA2, LKE, LX2, LXE4, LXE8, LXQ4, LXU, PA2, PAE2, PKT, PxD8, PXE8, PXU ----- QA2, QA26, QA4, QAA2, QAA6, QAE2, QAE4, QAE6, QC2, QDW9, QE, QHB4 ----- QK4, QKA4, QME0, QNE2, QNE8, QNR2, QNR6, QWA4, QWC, QWC4, QWT2, QXB7 ----- QXB9, QXC4, QXC6, QXC9, QXCU, QXE4, QXE6, QXE7, QXE8, QXE9, QXEM ----- QXER, QXQ4, QXS4, QXU, QXUM, QXUZ, QZA2, QZAV, QZN2, QZNH, QZNR ----- QZX9, QZXR, SCK4, SHQ4, SHQ5, SM32, SMC1, SMD3, SME0, SME6, SMX2 ----- SNC, STC4, SWA4, SXB7, SXE4, SXE8, SXQ4, SXU, VA2, VM2, VN27, VSD7 ----- VSD9, VX8, VXB7, VXB9, VXE2, VXE7, VXE8, VXE9, VXQ4, VZX7, VZX8	
	13351-ZE3-010	-	1	-	-	1517215	-----	

E-7

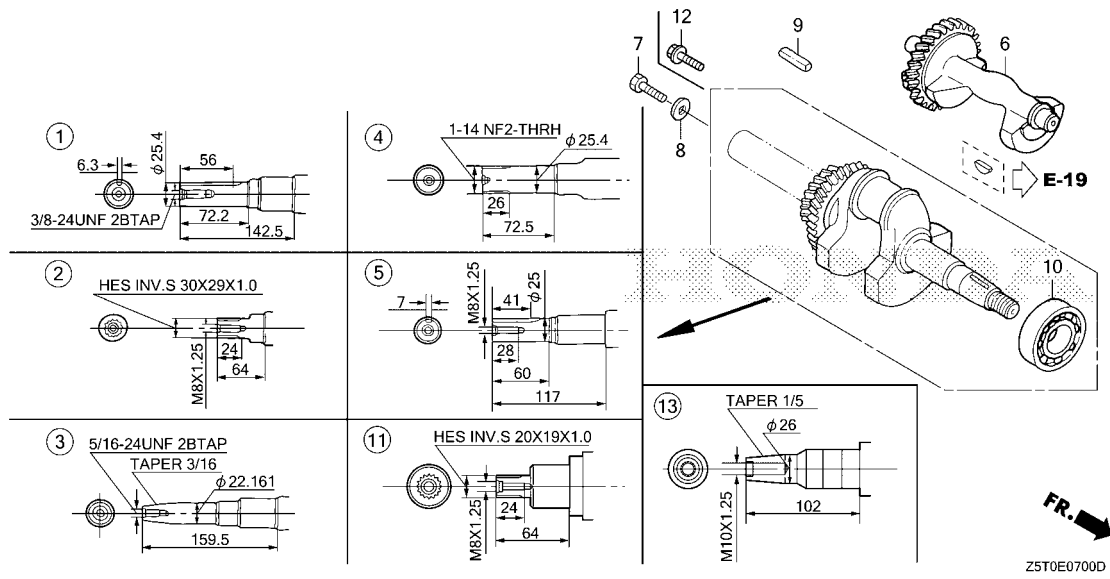
CRANKSHAFT

Ref. No.	Part No.	Description	Reqd. QTY					Serial No.	Parts catalogue code
			GX 390 UT1	GX 390 UT2	GX 390 RT1	GX 390 RT2	GX 390 UT2X		
(6)	13351-Z1C-900	WEIGHT, BALANCER.....	-	1	-	-	-	1517216	----- HA2, LKE, LX2, LXE4, LXE8, LXQ4, LXU, PA2, PAE2, PKT, PXD8, PXE8, PXU QA2, QA26, QA4, QAA2, QAA6, QAE2, QAE4, QAE6, QC2, QDW9, QE, QHB4 QK4, QKA4, QME0, QNE2, QNE8, QNR2, QNR6, QWA4, QWC, QWC4, QWT2, QXB7 QXB9, QXC4, QXC6, QXC9, QXCU, QXE4, QXE6, QXE7, QXE8, QXE9, QXEM QXER, QXQ4, QXS4, QXU, QXUM, QXUZ, QZA2, QZAV, QZN2, QZNH, QZNR QZX9, QZXR, SCK4, SHQ4, SHQ5, SM32, SMC1, SMD3, SME0, SME6, SMX2 SNC, STC4, SWA4, SXB7, SXE4, SXE8, SXQ4, SXU, VA2, VM2, VN27, VSD7 VSD9, VX8, VXB7, VXB9, VXE2, VXE7, VXE8, VXE9, VXQ4, VZX7, VZX8
	13351-ZE3-010	-	-	-	1	-	1517807	----- ED6, EDD2, EDS6, EDT6, EZD2, PXM8, QNB2, QTT, QWA2, SDQ5, VAA1, VAG2 VC2, VCT, VCT2, VDE2, VEP9, VK2, VKB2, VKE4, VKER, VKX4, VKXR, VPE5 VPE9, VPX4, VPX9, VSD4, VWC, VWC9, VWE, VWS, VWT4, VXG, VZC2, VZP9 VZWE
	13351-Z1C-900	-	-	-	1	-	1517808	----- ED6, EDD2, EDS6, EDT6, EZD2, PXM8, QNB2, QTT, QWA2, SDQ5, VAA1, VAG2 VC2, VCT, VCT2, VDE2, VEP9, VK2, VKB2, VKE4, VKER, VKX4, VKXR, VPE5 VPE9, VPX4, VPX9, VSD4, VWC, VWC9, VWE, VWS, VWT4, VXG, VZC2, VZP9 VZWE
	7 90107-959-003	BOLT, FLANGE, 8X25.....	-	-	-	-	1		
	92101-08025-0A	BOLT, HEX., 8X25.....	1	1	-	-	1	-----	----- LFU, LKE, LX2, LXE4, LXE5, LXE8, LXQ4, LXU
	8 90473-842-000	WASHER, 8MM.....	1	1	-	-	1	-----	----- SCM, SCM1, SCM2, SCM3, SM32, SMSC, SMX2, SMXC, STC4
	90473-ZE3-010	WASHER, 8.5X42X4.5.....	1	1	-	-	1	-----	----- HA2
	90534-706-010	WASHER, LOCK, 8.5X35X4.5.....	1	1	-	-	1	-----	----- LFU, LKE, LX2, LXE4, LXE5, LXE8, LXQ4, LXU
	9 90745-ZE2-600	KEY, 6.3X6.3X43.....	1	1	1	1	1	-----	----- SCM, SCM1, SCM2, SCM3, SM32, SMSC, SMX2, SMXC, STC4
	90741-805-000	KEY, 7X7X33.....	1	1	-	1	1	-----	----- PA2, PAE2, QA2, QA26, QA4, QAA2, QAA6, QAE2, QAE4, QAE6, QAGN, QAW QC1, QC2, QC3, QC4, QC5, QC6, QC9, QCDW, QCE2, QCWT, QDW9, QE, QK4 QKA4, QMAH, QNB2, QNE2, QNE6, QNE8, QNGN, QNR2, QNR6, QNRV, QTT QWA2, QWA4, QWC, QWC4, QWT2, QXAC, QXB7, QXB9, QXC4, QXC6, QXC9 QXCU, QXE4, QXE6, QXE7, QXE8, QXE9, QXEM, QXER, QXH9, QXQ4, QXS2 QXS4, QXU, QXUM, QXUZ, QZA2, QZAV, QZC, QZD, QZDS, QZHW, QZME, QZN2 QZND, QZNH, QZNR, QZRL, QZRV, QZX9, QZXR
	90741-889-810	KEY, 7X7X33(YELLOW)(O.S.)....	(1)	-	-	(1)	(1)	-----	----- SCC, SCK4, SCM, SCM1, SCM2, SCM3, SCMV, SDQ5, SE1C, SE2C, SHQ2, SHQ4 SHQ5, SHQ6, SM32, SMC1, SMC2, SMSC, SMX2, SMXC, STC4, SWA2, SWA4 SXB7, SXB9, SXBG, SXE4, SXE8, SXEM, SXQ4, SXS6, SXU, SZEC
			-	1	-	-	1	-----	----- SCK4, SCM, SCM3, SCMV, SDQ5, SHQ2, SHQ4, SHQ5, SHQ6, SMC1, SMC2 SMD3, SME0, SME6, SMES, SMX2, SNC, STC4, SWA2, SWA4, SXB7, SXB9 SXE4, SXE8, SXEM, SXQ4, SXU
			-	(1)	-	-	-	-----	----- SC1, SNC
			-	(1)	-	-	-	-----	----- SCK4, SCM, SCM3, SHQ4, SHQ5, SHQ6, SMC1, SMD3, SME0, SME6, SMX2 SMXC, STC4, SWA4, SXB7, SXE4, SXE8, SXEM, SXQ4, SXU
	10 91001-ZF6-013	BEARING, RADIAL BALL, 6207SH.....	1	-	1	1	-	-----	----- ED6, EDD2, EDS6, EDT6, EZD2, EZDM, EZDS, EZDV, HA2, LKE, LX2, LXE4 LXQ4, PA2, PAE2, PXD8, PXM8, QA4, QAE2, QAE4, QAE6, QAGN, QAW, QC2 QDW9, QE, QHB4, QK4, QKA4, QME0, QME2, QNB2, QNE2, QNE6, QNE8, QNGN QNR2, QNR6, QTT, QWA2, QWA4, QWC4, QWT2, QXB7, QXB9, QXC4, QXC6 QXC9, QXCU, QXE4, QXE6, QXE7, QXE9, QXER, QXH9, QXS2, QXS4, QXUZ SCK4, SDQ5, SHQ2, SHQ4, SM32, SMC1, SMC2, SMD3, SME0, SME6, SMES SNC, STC4, SWA2, SWA4, SXB7, SXB9, SXE4, SXS6, SXU, VA2, VAA1, VAA8 VAC2, VAG2, VC2, VC2N, VCF, VCN2, VCT, VCT2, VD2, VDE2, VEP9, VK2 VKB2, VKE4, VKER, VKX4, VKXR, VM2, VN27, VNG1, VPE5, VPE9, VPP9 VPX2, VPX4, VPX9, VS49, VSD4, VSD7, VSD9, VTH4, VWC, VWC9, VWE, VWS VWS1, VWT4, VX8, VXB7, VXB9, VXE2, VXE6, VXE7, VXE9, VXF, VXG, VXQ4 VXT, VZC2, VZP9, VZWE, VZXZ
	91001-ZF6-003	1	-	-	-	-	-----	----- 1161663 LXE8, LXU
			1	-	-	-	-	-----	----- 1196462 SXE8, SXQ4
			1	-	-	-	-	-----	----- 1199162 QA2, QA26, QAA2, QAA6, QXE8, QXQ4, QXU
			1	-	-	-	-	-----	----- 1208706 VX8, VXE8
			1	-	-	-	-	-----	----- 1271955 PXE8, PXU



E-7

CRANKSHAFT

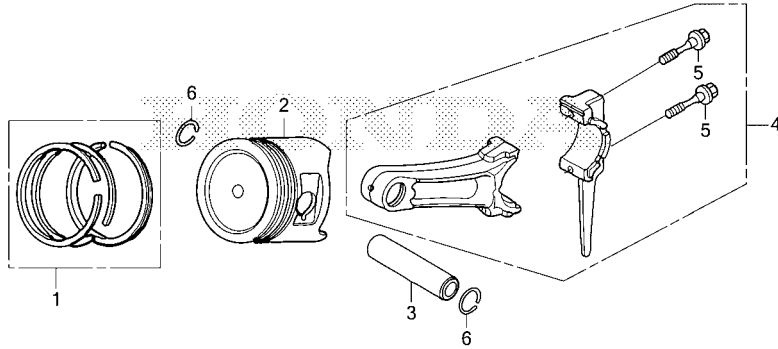


Ref. No.	Part No.	Description	Reqd. QTY					Serial No.	Parts catalogue code
			GX 390	GX 390	GX 390	GX 390	GX 390		
10)	91001-ZF6-013	BEARING, RADIAL BALL, 6207SH	1	-	-	-	-	1161664 ----- LXE8, LXU	
			1	-	-	-	-	1196463 ----- SXE8, SXQ4	
			1	-	-	-	-	1199163 ----- QA2, QA26, QAA2, QAA6, QXE8, QXQ4, QXU	
			1	-	-	-	-	1208707 ----- VX8, VXE8	
			1	-	-	-	-	1271956 ----- PXE8, PXU	
			-	1	-	-	1		
11	13310-ZF6-W32	CRANKSHAFT COMP.	1	1	-	-	1	----- HA2	
12	95701-08025-00	BOLT, FLANGE, 8X25	1	1	-	-	1	----- HA2	
13	13310-ZF6-D42	CRANKSHAFT COMP.	-	-	-	1	-	----- ED6, EDD2, EDS6, EDT6, EZD2, EZDM, EZDS, EZDV	

2

E-8

PISTON



FR. →
Z5T0E0800A

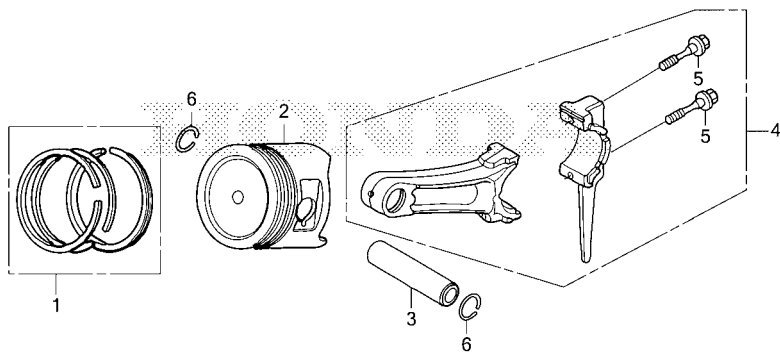
Ref. L.O.N. (Relative ref. Number) F.R.T.
No. Description

Ref. No.	Part No.	Description	Reqd. QTY					Serial No.	Parts catalogue code
			GX 390 UT1	GX 390 UT2	GX 390 RT1	GX 390 RT2	GX 390 UT2X		
1	13010-Z5R-004	RING SET, PISTON(STD.) (TEIKOKU)	1	-	-	-	-	HA2, LKE, LX2, LXE4, LXQ4, PA2, PAE2, PXD8, QA4, QAE2, QAE4, QAE6, QC2, QE, QHB4, QKA4, QME0, QME2, QNE2, QNE6, QNE8, QNR2, QNR6, QWC4, QXB7, QXB9, QXC4, QXC6, QXCU, QXE4, QXE6, QXE7, QXE9, QXER, QXH9, QXS2, QXS4, QXUZ, SCK4, SHQ2, SM32, SMC1, SMC2, SMD3, SME0, SME6, SNC, STC4, SWA2, SWA4, SXB7, SXB9, SXE4, SXU, VA2, VC2N, VM2, VN27, VPX2, VXE2, VXE6, VXE7, VXE9, VXQ4	
	13010-Z5T-003	RING SET, PISTON(STD.)(RIKEN)	1	-	-	-	-	HA2, LKE, LX2, LXE4, LXQ4, PA2, PAE2, PXD8, QA4, QAE2, QAE4, QAE6, QC2, QE, QHB4, QKA4, QME0, QME2, QNE2, QNE6, QNE8, QNR2, QNR6, QWC4, QXB7, QXB9, QXC4, QXC6, QXCU, QXE4, QXE6, QXE7, QXE9, QXER, QXH9, QXS2, QXS4, QXUZ, SCK4, SHQ2, SM32, SMC1, SMC2, SMD3, SME0, SME6, SNC, STC4, SWA2, SWA4, SXB7, SXB9, SXE4, SXU, VA2, VC2N, VM2, VN27, VPX2, VXE2, VXE6, VXE7, VXE9, VXQ4	
	13011-Z5R-004	RING SET, PISTON(0.25) (TEIKOKU)	(1)	-	-	-	-	HA2, LKE, LX2, LXE4, LXQ4, PA2, PAE2, PXD8, QA4, QAE2, QAE4, QAE6, QC2, QE, QHB4, QKA4, QME0, QME2, QNE2, QNE6, QNE8, QNR2, QNR6, QWC4, QXB7, QXB9, QXC4, QXC6, QXCU, QXE4, QXE6, QXE7, QXE9, QXER, QXH9, QXS2, QXS4, QXUZ, SCK4, SHQ2, SM32, SMC1, SMC2, SMD3, SME0, SME6, SNC, STC4, SWA2, SWA4, SXB7, SXB9, SXE4, SXU, VA2, VC2N, VM2, VN27, VPX2, VXE2, VXE6, VXE7, VXE9, VXQ4	
	13011-Z5T-003	RING SET, PISTON(0.25)(RIKEN)	(1)	-	-	-	-	HA2, LKE, LX2, LXE4, LXQ4, PA2, PAE2, PXD8, QA4, QAE2, QAE4, QAE6, QC2, QE, QHB4, QKA4, QME0, QME2, QNE2, QNE6, QNE8, QNR2, QNR6, QWC4, QXB7, QXB9, QXC4, QXC6, QXCU, QXE4, QXE6, QXE7, QXE9, QXER, QXH9, QXS2, QXS4, QXUZ, SCK4, SHQ2, SM32, SMC1, SMC2, SMD3, SME0, SME6, SNC, STC4, SWA2, SWA4, SXB7, SXB9, SXE4, SXU, VA2, VC2N, VM2, VN27, VPX2, VXE2, VXE6, VXE7, VXE9, VXQ4	



E-8

PISTON



Z5T0E0800A

Ref. No.	Part No.	Description	Reqd. QTY					Serial No.	Parts catalogue code
			GX 390 UT1	GX 390 UT2	GX 390 RT1	GX 390 RT2	GX 390 UT2X		
(1)	13012-Z5R-004	RING SET, PISTON(0.50) (TEIKOKU)	(1)	-	-	-	-	-	HA2, LKE, LX2, LXE4, LXQ4, PA2, PAE2, PXD8, QA4, QAE2, QAE4, QAE6, QC2, QE, QHB4, QKA4, QME0, QME2, QNE2, QNE6, QNE8, QNR2, QNR6, QWC4, QXB7, QXB9, QXC4, QXC6, QXCU, QXE4, QXE6, QXE7, QXE9, QXER, QXH9, QXS2, QXS4, QXUZ, SCK4, SHQ2, SM32, SMC1, SMC2, SMD3, SME0, SME6, SNC, STC4, SWA2, SWA4, SXB7, SXB9, SXE4, SXU, VA2, VC2N, VM2, VN27, VPX2, VXE2, VXE6, VXE7, VXE9, VXQ4
	13012-Z5T-003	RING SET, PISTON(0.50)(RIKEN)	(1)	-	-	-	-	-	HA2, LKE, LX2, LXE4, LXQ4, PA2, PAE2, PXD8, QA4, QAE2, QAE4, QAE6, QC2, QE, QHB4, QKA4, QME0, QME2, QNE2, QNE6, QNE8, QNR2, QNR6, QWC4, QXB7, QXB9, QXC4, QXC6, QXCU, QXE4, QXE6, QXE7, QXE9, QXER, QXH9, QXS2, QXS4, QXUZ, SCK4, SHQ2, SM32, SMC1, SMC2, SMD3, SME0, SME6, SNC, STC4, SWA2, SWA4, SXB7, SXB9, SXE4, SXU, VA2, VC2N, VM2, VN27, VPX2, VXE2, VXE6, VXE7, VXE9, VXQ4
	13013-Z5R-004	RING SET, PISTON(0.75) (TEIKOKU)	(1)	-	-	-	-	-	HA2, LKE, LX2, LXE4, LXQ4, PA2, PAE2, PXD8, QA4, QAE2, QAE4, QAE6, QC2, QE, QHB4, QKA4, QME0, QME2, QNE2, QNE6, QNE8, QNR2, QNR6, QWC4, QXB7, QXB9, QXC4, QXC6, QXCU, QXE4, QXE6, QXE7, QXE9, QXER, QXH9, QXS2, QXS4, QXUZ, SCK4, SHQ2, SM32, SMC1, SMC2, SMD3, SME0, SME6, SNC, STC4, SWA2, SWA4, SXB7, SXB9, SXE4, SXU, VA2, VC2N, VM2, VN27, VPX2, VXE2, VXE6, VXE7, VXE9, VXQ4
	13013-Z5T-003	RING SET, PISTON(0.75)(RIKEN)	(1)	-	-	-	-	-	HA2, LKE, LX2, LXE4, LXQ4, PA2, PAE2, PXD8, QA4, QAE2, QAE4, QAE6, QC2, QE, QHB4, QKA4, QME0, QME2, QNE2, QNE6, QNE8, QNR2, QNR6, QWC4, QXB7, QXB9, QXC4, QXC6, QXCU, QXE4, QXE6, QXE7, QXE9, QXER, QXH9, QXS2, QXS4, QXUZ, SCK4, SHQ2, SM32, SMC1, SMC2, SMD3, SME0, SME6, SNC, STC4, SWA2, SWA4, SXB7, SXB9, SXE4, SXU, VA2, VC2N, VM2, VN27, VPX2, VXE2, VXE6, VXE7, VXE9, VXQ4
	13010-Z1C-800	RING SET, PISTON(STD.)(RIKEN)	1	-	-	-	-	1382377	LXE8, LXU, PXE8, PXU, QA2, QA26, QAA2, QAA6, QAW, QDW9, QK4, QTT, QWA4, QWT2, QXC9, QXE8, QXQ4, QXU, SHQ4, SXE8, SXQ4, VKX4, VNG1, VPX4, VPX9, VSD7, VSD9, VX8, VXB7, VXB9, VXE8, VXG

E-8

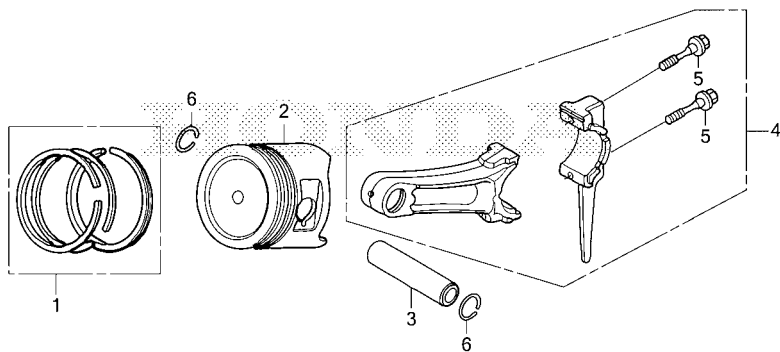
PISTON

Ref. No.	Part No.	Description	Reqd. QTY					Serial No.	Parts catalogue code
			GX 390 UT1	GX 390 UT2	GX 390 RT1	GX 390 RT2	GX 390 UT2X		
(1)	13011-Z1C-800	RING SET, PISTON(0.25)(RIKEN)	(1)	-	-	-	-	1382377	LXE8, LXU, PXE8, PXU, QA2, QA26, QAA2, QAA6, QAW, QDW9, QK4, QTT QWA4, QWT2, QXC9, QXE8, QXQ4, QXU, SHQ4, SXE8, SXQ4, VKX4, VNG1 VPX4, VPX9, VSD7, VSD9, VX8, VXB7, VXB9, VXE8, VXG
	13012-Z1C-800	RING SET, PISTON(0.50)(RIKEN)	(1)	-	-	-	-	1382377	LXE8, LXU, PXE8, PXU, QA2, QA26, QAA2, QAA6, QAW, QDW9, QK4, QTT QWA4, QWT2, QXC9, QXE8, QXQ4, QXU, SHQ4, SXE8, SXQ4, VKX4, VNG1 VPX4, VPX9, VSD7, VSD9, VX8, VXB7, VXB9, VXE8, VXG
	13013-Z1C-800	RING SET, PISTON(0.75)(RIKEN)	(1)	-	-	-	-	1382377	LXE8, LXU, PXE8, PXU, QA2, QA26, QAA2, QAA6, QAW, QDW9, QK4, QTT QWA4, QWT2, QXC9, QXE8, QXQ4, QXU, SHQ4, SXE8, SXQ4, VKX4, VNG1 VPX4, VPX9, VSD7, VSD9, VX8, VXB7, VXB9, VXE8, VXG
	13010-Z5R-004	RING SET, PISTON(STD.) (TEIKOKU)	1	-	-	-	-	1382378	LXE8, LXU, PXE8, PXU, QA2, QA26, QAA2, QAA6, QAW, QDW9, QK4, QTT QWA4, QWT2, QXC9, QXE8, QXQ4, QXU, SHQ4, SXE8, SXQ4, VKX4, VNG1 VPX4, VPX9, VSD7, VSD9, VX8, VXB7, VXB9, VXE8, VXG
	13010-Z5T-003	RING SET, PISTON(STD.)(RIKEN)	1	-	-	-	-	1382378	LXE8, LXU, PXE8, PXU, QA2, QA26, QAA2, QAA6, QAW, QDW9, QK4, QTT QWA4, QWT2, QXC9, QXE8, QXQ4, QXU, SHQ4, SXE8, SXQ4, VKX4, VNG1 VPX4, VPX9, VSD7, VSD9, VX8, VXB7, VXB9, VXE8, VXG
	13011-Z5R-004	RING SET, PISTON(0.25) (TEIKOKU)	(1)	-	-	-	-	1382378	LXE8, LXU, PXE8, PXU, QA2, QA26, QAA2, QAA6, QAW, QDW9, QK4, QTT QWA4, QWT2, QXC9, QXE8, QXQ4, QXU, SHQ4, SXE8, SXQ4, VKX4, VNG1 VPX4, VPX9, VSD7, VSD9, VX8, VXB7, VXB9, VXE8, VXG
	13011-Z5T-003	RING SET, PISTON(0.25)(RIKEN)	(1)	-	-	-	-	1382378	LXE8, LXU, PXE8, PXU, QA2, QA26, QAA2, QAA6, QAW, QDW9, QK4, QTT QWA4, QWT2, QXC9, QXE8, QXQ4, QXU, SHQ4, SXE8, SXQ4, VKX4, VNG1 VPX4, VPX9, VSD7, VSD9, VX8, VXB7, VXB9, VXE8, VXG
	13012-Z5R-004	RING SET, PISTON(0.50) (TEIKOKU)	(1)	-	-	-	-	1382378	LXE8, LXU, PXE8, PXU, QA2, QA26, QAA2, QAA6, QAW, QDW9, QK4, QTT QWA4, QWT2, QXC9, QXE8, QXQ4, QXU, SHQ4, SXE8, SXQ4, VKX4, VNG1 VPX4, VPX9, VSD7, VSD9, VX8, VXB7, VXB9, VXE8, VXG
	13012-Z5T-003	RING SET, PISTON(0.50)(RIKEN)	(1)	-	-	-	-	1382378	LXE8, LXU, PXE8, PXU, QA2, QA26, QAA2, QAA6, QAW, QDW9, QK4, QTT QWA4, QWT2, QXC9, QXE8, QXQ4, QXU, SHQ4, SXE8, SXQ4, VKX4, VNG1 VPX4, VPX9, VSD7, VSD9, VX8, VXB7, VXB9, VXE8, VXG
	13013-Z5R-004	RING SET, PISTON(0.75) (TEIKOKU)	(1)	-	-	-	-	1382378	LXE8, LXU, PXE8, PXU, QA2, QA26, QAA2, QAA6, QAW, QDW9, QK4, QTT QWA4, QWT2, QXC9, QXE8, QXQ4, QXU, SHQ4, SXE8, SXQ4, VKX4, VNG1 VPX4, VPX9, VSD7, VSD9, VX8, VXB7, VXB9, VXE8, VXG
	13013-Z5T-003	RING SET, PISTON(0.75)(RIKEN)	(1)	-	-	-	-	1382378	LXE8, LXU, PXE8, PXU, QA2, QA26, QAA2, QAA6, QAW, QDW9, QK4, QTT QWA4, QWT2, QXC9, QXE8, QXQ4, QXU, SHQ4, SXE8, SXQ4, VKX4, VNG1 VPX4, VPX9, VSD7, VSD9, VX8, VXB7, VXB9, VXE8, VXG
	13010-Z5R-004	RING SET, PISTON(STD.) (TEIKOKU)	-	1	1	1	1		
	13010-Z5T-003	RING SET, PISTON(STD.)(RIKEN)	-	1	1	1	1		
	13011-Z5R-004	RING SET, PISTON(0.25) (TEIKOKU)	-	(1)	(1)	-	-		QA26, QAA6, QAE4, QAE6, QNB2, QNE8, QNR6, QTT, QWA2, QWC4, QXC6 QXS4, QZC, QZDS, QZNH, QZRV, QZX9, SMSC, SMXC, SXE8, SXU, SZEC, VA2 VAA1, VAA8, VAC2, VAG2, VC2, VCN2, VD2, VDE2, VEP9, VK2, VKB2, VKE4 VKX4, VM2, VNG1, VPE5, VPE9, VPX4, VPX9, VS49, VSD4, VSD7, VTH4, VWC VWC9, VWE, VWT4, VXG, VXQ4
	13011-Z5T-003	RING SET, PISTON(0.25)(RIKEN)	-	(1)	(1)	-	-		QA26, QAA6, QAE4, QAE6, QNB2, QNE8, QNR6, QTT, QWA2, QWC4, QXC6 QXS4, QZC, QZDS, QZNH, QZRV, QZX9, SMSC, SMXC, SXE8, SXU, SZEC, VA2 VAA1, VAA8, VAC2, VAG2, VC2, VCN2, VD2, VDE2, VEP9, VK2, VKB2, VKE4 VKX4, VM2, VNG1, VPE5, VPE9, VPX4, VPX9, VS49, VSD4, VSD7, VTH4, VWC VWC9, VWE, VWT4, VXG, VXQ4
	13012-Z5R-004	RING SET, PISTON(0.50) (TEIKOKU)	-	(1)	(1)	-	-		QA26, QAA6, QAE4, QAE6, QNB2, QNE8, QNR6, QTT, QWA2, QWC4, QXC6 QXS4, QZC, QZDS, QZNH, QZRV, QZX9, SMSC, SMXC, SXE8, SXU, SZEC, VA2 VAA1, VAA8, VAC2, VAG2, VC2, VCN2, VD2, VDE2, VEP9, VK2, VKB2, VKE4 VKX4, VM2, VNG1, VPE5, VPE9, VPX4, VPX9, VS49, VSD4, VSD7, VTH4, VWC VWC9, VWE, VWT4, VXG, VXQ4



E-8

PISTON



Z5T0E0800A

Ref. No.	Part No.	Description	Reqd. QTY					Serial No.	Parts catalogue code
			GX 390 UT1	GX 390 UT2	GX 390 RT1	GX 390 RT2	GX 390 UT2X		
(1)	13012-Z5T-003	RING SET, PISTON(0.50)(RIKEN)	-	(1)	(1)	-	-	-----	QA26, QAA6, QAE4, QAE6, QNB2, QNE8, QNR6, QTT, QWA2, QWC4, QXC6 QXS4, QZC, QZDS, QZNH, QZRV, QZX9, SMSC, SMXC, SXE8, SXU, SZEC, VAA1, VAA8, VAC2, VAG2, VC2, VCN2, VD2, VDE2, VEP9, VK2, VKB2, VKE4 VKX4, VM2, VNG1, VPE5, VPE9, VPX4, VPX9, VS49, VSD4, VSD7, VTH4, VWC VWC9, VWE, VWT4, VXG, VXQ4
	13013-Z5R-004	RING SET, PISTON(0.75) (TEIKOKU)	-	(1)	(1)	-	-	-----	QA26, QAA6, QAE4, QAE6, QNB2, QNE8, QNR6, QTT, QWA2, QWC4, QXC6 QXS4, QZC, QZDS, QZNH, QZRV, QZX9, SMSC, SMXC, SXE8, SXU, SZEC, VAA1, VAA8, VAC2, VAG2, VC2, VCN2, VD2, VDE2, VEP9, VK2, VKB2, VKE4 VKX4, VM2, VNG1, VPE5, VPE9, VPX4, VPX9, VS49, VSD4, VSD7, VTH4, VWC VWC9, VWE, VWT4, VXG, VXQ4
	13013-Z5T-003	RING SET, PISTON(0.75)(RIKEN)	-	(1)	(1)	-	-	-----	QA26, QAA6, QAE4, QAE6, QNB2, QNE8, QNR6, QTT, QWA2, QWC4, QXC6 QXS4, QZC, QZDS, QZNH, QZRV, QZX9, SMSC, SMXC, SXE8, SXU, SZEC, VAA1, VAA8, VAC2, VAG2, VC2, VCN2, VD2, VDE2, VEP9, VK2, VKB2, VKE4 VKX4, VM2, VNG1, VPE5, VPE9, VPX4, VPX9, VS49, VSD4, VSD7, VTH4, VWC VWC9, VWE, VWT4, VXG, VXQ4
	13011-Z5R-004	RING SET, PISTON(0.25) (TEIKOKU)	-	-	-	(1)	-	-----	ED6, EDD2, EZD2, EZDM, EZDV, QWA2, VAA1, VAG2, VK2, VKB2, VPE5, VPX4 WWS, VZC2, VZP9, VZWE
	13011-Z5T-003	RING SET, PISTON(0.25)(RIKEN)	-	-	-	(1)	-	-----	ED6, EDD2, EZD2, EZDM, EZDV, QWA2, VAA1, VAG2, VK2, VKB2, VPE5, VPX4 WWS, VZC2, VZP9, VZWE
	13012-Z5R-004	RING SET, PISTON(0.50) (TEIKOKU)	-	-	-	(1)	-	-----	ED6, EDD2, EZD2, EZDM, EZDV, QWA2, VAA1, VAG2, VK2, VKB2, VPE5, VPX4 WWS, VZC2, VZP9, VZWE
	13012-Z5T-003	RING SET, PISTON(0.50)(RIKEN)	-	-	-	(1)	-	-----	ED6, EDD2, EZD2, EZDM, EZDV, QWA2, VAA1, VAG2, VK2, VKB2, VPE5, VPX4 WWS, VZC2, VZP9, VZWE
	13013-Z5R-004	RING SET, PISTON(0.75) (TEIKOKU)	-	-	-	(1)	-	-----	ED6, EDD2, EZD2, EZDM, EZDV, QWA2, VAA1, VAG2, VK2, VKB2, VPE5, VPX4 WWS, VZC2, VZP9, VZWE

E-8

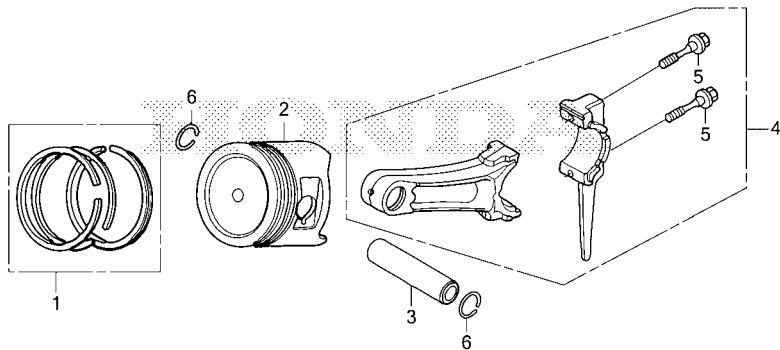
PISTON

Ref. No.	Part No.	Description	Reqd. QTY					Serial No.	Parts catalogue code
			GX 390 UT1	GX 390 UT2	GX 390 RT1	GX 390 RT2	GX 390 UT2X		
(1)	13013-Z5T-003	RING SET, PISTON(0.75)(RIKEN)	-	-	-	(1)	-	ED6, EDD2, EZD2, EZDM, EZDV, QWA2, VAA1, VAG2, VK2, VKB2, VPE5, VPX4 VWS, VZC2, VZP9, VZWE	
2	13101-ZF6-W01	PISTON(STD.)	1	-	1	-	-	HA2, LKE, LX2, LXE4, LXQ4, PA2, PAE2, QAE2, QAE6, QC2, QHB4, QKA4 QME0, QNB2, QNE2, QNE6, QNE8, QNR2, QNR6, QWA2, QWC4, QXB7, QXB9 QXC4, QXC6, QXE4, QXE6, QXE7, QXE9, QXH9, QXS4, SCK4, SM32, SMC1 SMD3, SME0, SME6, SNC, STC4, SWA4, SXB7, SXB9, SXE4, SXU, VA2, VAA1 VAA8, VAC2, VAG2, VC2, VC2N, VCN2, VD2, VDE2, VEP9, VK2, VKB2, VKE4 VM2, VN27, VPE5, VPE9, VS49, VSD4, VTH4, VWC, VWC9, VWE, VWT4, VXE2 VXE6, VXE7, VXQ4	
	13102-ZF6-W01	PISTON(0.25)	(1)	-	(1)	-	-	HA2, LKE, LX2, LXE4, LXQ4, PA2, PAE2, QAE2, QAE6, QC2, QHB4, QKA4 QME0, QNB2, QNE2, QNE6, QNE8, QNR2, QNR6, QWA2, QWC4, QXB7, QXB9 QXC4, QXC6, QXE4, QXE6, QXE7, QXE9, QXH9, QXS4, SCK4, SM32, SMC1 SMD3, SME0, SME6, SNC, STC4, SWA4, SXB7, SXB9, SXE4, SXU, VA2, VAA1 VAA8, VAC2, VAG2, VC2, VC2N, VCN2, VD2, VDE2, VEP9, VK2, VKB2, VKE4 VM2, VN27, VPE5, VPE9, VS49, VSD4, VTH4, VWC, VWC9, VWE, VWT4, VXE2 VXE6, VXE7, VXQ4	
	13103-ZF6-W01	PISTON(0.50)	(1)	-	(1)	-	-	HA2, LKE, LX2, LXE4, LXQ4, PA2, PAE2, QAE2, QAE6, QC2, QHB4, QKA4 QME0, QNB2, QNE2, QNE6, QNE8, QNR2, QNR6, QWA2, QWC4, QXB7, QXB9 QXC4, QXC6, QXE4, QXE6, QXE7, QXE9, QXH9, QXS4, SCK4, SM32, SMC1 SMD3, SME0, SME6, SNC, STC4, SWA4, SXB7, SXB9, SXE4, SXU, VA2, VAA1 VAA8, VAC2, VAG2, VC2, VC2N, VCN2, VD2, VDE2, VEP9, VK2, VKB2, VKE4 VM2, VN27, VPE5, VPE9, VS49, VSD4, VTH4, VWC, VWC9, VWE, VWT4, VXE2 VXE6, VXE7, VXQ4	
	13104-ZF6-W01	PISTON(0.75)	(1)	-	(1)	-	-	HA2, LKE, LX2, LXE4, LXQ4, PA2, PAE2, QAE2, QAE6, QC2, QHB4, QKA4 QME0, QNB2, QNE2, QNE6, QNE8, QNR2, QNR6, QWA2, QWC4, QXB7, QXB9 QXC4, QXC6, QXE4, QXE6, QXE7, QXE9, QXH9, QXS4, SCK4, SM32, SMC1 SMD3, SME0, SME6, SNC, STC4, SWA4, SXB7, SXB9, SXE4, SXU, VA2, VAA1 VAA8, VAC2, VAG2, VC2, VC2N, VCN2, VD2, VDE2, VEP9, VK2, VKB2, VKE4 VM2, VN27, VPE5, VPE9, VS49, VSD4, VTH4, VWC, VWC9, VWE, VWT4, VXE2 VXE6, VXE7, VXQ4	
	13101-Z5T-000	PISTON(STD.)	1	-	-	-	-	PXD8, QA4, QAE4, QME2, QXCU, QXER, QXS2, QXUZ, SHQ2, SMC2, SWA2 VPX2	
	13102-Z5T-000	PISTON(0.25)	(1)	-	-	-	-	PXD8, QA4, QAE4, QME2, QXCU, QXER, QXS2, QXUZ, SHQ2, SMC2, SWA2 VPX2	
	13103-Z5T-000	PISTON(0.50)	(1)	-	-	-	-	PXD8, QA4, QAE4, QME2, QXCU, QXER, QXS2, QXUZ, SHQ2, SMC2, SWA2 VPX2	
	13104-Z5T-000	PISTON(0.75)	(1)	-	-	-	-	PXD8, QA4, QAE4, QME2, QXCU, QXER, QXS2, QXUZ, SHQ2, SMC2, SWA2 VPX2	
	13101-ZF6-W00	PISTON(STD.)	1	-	-	-	1382377	LXE8, LXU, PXE8, PXU, QA2, QA26, QAA2, QAA6, QAW, QDW9, QK4, QTT QWA4, QWT2, QXC9, QXE8, QXQ4, QXU, SHQ4, SXE8, SXQ4, VKX4, VNG1 VPX4, VPX9, VSD7, VSD9, VX8, VXB7, VXB9, VXE8, VXG	
	13102-ZF6-W00	PISTON(0.25)	(1)	-	-	-	1382377	LXE8, LXU, PXE8, PXU, QA2, QA26, QAA2, QAA6, QAW, QDW9, QK4, QTT QWA4, QWT2, QXC9, QXE8, QXQ4, QXU, SHQ4, SXE8, SXQ4, VKX4, VNG1 VPX4, VPX9, VSD7, VSD9, VX8, VXB7, VXB9, VXE8, VXG	
	13103-ZF6-W00	PISTON(0.50)	(1)	-	-	-	1382377	LXE8, LXU, PXE8, PXU, QA2, QA26, QAA2, QAA6, QAW, QDW9, QK4, QTT QWA4, QWT2, QXC9, QXE8, QXQ4, QXU, SHQ4, SXE8, SXQ4, VKX4, VNG1 VPX4, VPX9, VSD7, VSD9, VX8, VXB7, VXB9, VXE8, VXG	
	13104-ZF6-W00	PISTON(0.75)	(1)	-	-	-	1382377	LXE8, LXU, PXE8, PXU, QA2, QA26, QAA2, QAA6, QAW, QDW9, QK4, QTT QWA4, QWT2, QXC9, QXE8, QXQ4, QXU, SHQ4, SXE8, SXQ4, VKX4, VNG1 VPX4, VPX9, VSD7, VSD9, VX8, VXB7, VXB9, VXE8, VXG	
	13101-ZF6-W01	PISTON(STD.)	1	-	-	-	1748617	QE, VXE9	
	13102-ZF6-W01	PISTON(0.25)	(1)	-	-	-	1748617	QE, VXE9	
	13103-ZF6-W01	PISTON(0.50)	(1)	-	-	-	1748617	QE, VXE9	
	13104-ZF6-W01	PISTON(0.75)	(1)	-	-	-	1748617	QE, VXE9	
	13101-Z5T-000	PISTON(STD.)	1	-	-	-	1382378	LXE8, LXU, PXE8, PXU, QA2, QA26, QAA2, QAA6, QAW, QDW9, QK4, QTT QWA4, QWT2, QXC9, QXE8, QXQ4, QXU, SHQ4, SXE8, SXQ4, VKX4, VNG1 VPX4, VPX9, VSD7, VSD9, VX8, VXB7, VXB9, VXE8, VXG	



E-8

PISTON



FR. →
Z5T0E0800A

Ref. No.	Part No.	Description	Reqd. QTY					Serial No.	Parts catalogue code
			GX 390 UT1	GX 390 UT2	GX 390 RT1	GX 390 RT2	GX 390 UT2X		
(2)	13102-Z5T-000	PISTON(0.25).....	(1)	-	-	-	-	1382378	----- LXE8, LXU, PXE8, PXU, QA2, QA26, QAA2, QAA6, QAW, QDW9, QK4, QTT QWA4, QWT2, QXC9, QXE8, QXQ4, QXU, SHQ4, SXE8, SXQ4, VKX4, VNG1 VPX4, VPX9, VSD7, VSD9, VX8, VXB7, VXB9, VXE8, VXG
	13103-Z5T-000	PISTON(0.50).....	(1)	-	-	-	-	1382378	----- LXE8, LXU, PXE8, PXU, QA2, QA26, QAA2, QAA6, QAW, QDW9, QK4, QTT QWA4, QWT2, QXC9, QXE8, QXQ4, QXU, SHQ4, SXE8, SXQ4, VKX4, VNG1 VPX4, VPX9, VSD7, VSD9, VX8, VXB7, VXB9, VXE8, VXG
	13104-Z5T-000	PISTON(0.75).....	(1)	-	-	-	-	1382378	----- LXE8, LXU, PXE8, PXU, QA2, QA26, QAA2, QAA6, QAW, QDW9, QK4, QTT QWA4, QWT2, QXC9, QXE8, QXQ4, QXU, SHQ4, SXE8, SXQ4, VKX4, VNG1 VPX4, VPX9, VSD7, VSD9, VX8, VXB7, VXB9, VXE8, VXG
	13101-Z5T-000	PISTON(STD.).....	1	-	-	-	-	1748618	----- QE, VXE9
	13102-Z5T-000	PISTON(0.25).....	(1)	-	-	-	-	1748618	----- QE, VXE9
	13103-Z5T-000	PISTON(0.50).....	(1)	-	-	-	-	1748618	----- QE, VXE9
	13104-Z5T-000	PISTON(0.75).....	(1)	-	-	-	-	1748618	----- QE, VXE9
	13102-Z5T-800	PISTON(0.25).....	-	(1)	-	(1)	-	-----	ED6, EDD2, EZD2, EZDM, EZDV, QA26, QAA6, QAE4, QAE6, QNE8, QNR6 QWA2, QWC4, QXC6, QXS4, QZC, QZDS, QZNH, QZRV, QZX9, SMSC, SMXC SXE8, SXU, SZEC, VA2, VAA1, VAG2, VK2, VKB2, VM2, VPE5, VPX4, VSD7 VWS, VXQ4, VZC2, VZP9, VZWE
	13103-Z5T-800	PISTON(0.50).....	-	(1)	-	(1)	-	-----	ED6, EDD2, EZD2, EZDM, EZDV, QA26, QAA6, QAE4, QAE6, QNE8, QNR6 QWA2, QWC4, QXC6, QXS4, QZC, QZDS, QZNH, QZRV, QZX9, SMSC, SMXC SXE8, SXU, SZEC, VA2, VAA1, VAG2, VK2, VKB2, VM2, VPE5, VPX4, VSD7 VWS, VXQ4, VZC2, VZP9, VZWE
	13104-Z5T-800	PISTON(0.75).....	-	(1)	-	(1)	-	-----	ED6, EDD2, EZD2, EZDM, EZDV, QA26, QAA6, QAE4, QAE6, QNE8, QNR6 QWA2, QWC4, QXC6, QXS4, QZC, QZDS, QZNH, QZRV, QZX9, SMSC, SMXC SXE8, SXU, SZEC, VA2, VAA1, VAG2, VK2, VKB2, VM2, VPE5, VPX4, VSD7 VWS, VXQ4, VZC2, VZP9, VZWE
	13101-Z1C-900	PISTON(STD.).....	-	1	-	1	-	-----	LFU, LXE5, QAGN, QC1, QC3, QC4, QC5, QC6, QC9, QCDW, QCE2, QCWT, QMAH QNGN, QNRV, QXAC, QZND, QZRL, SC1, SCC, SCM, SCM1, SCM2, SCM3, SHQ6 SMES, SMSC, SMXC, SXBG, SXEM, SXS6, VCF, VPP9, VSB9, VWS1, VXF, VXT VZS9, VZXZ

E-8

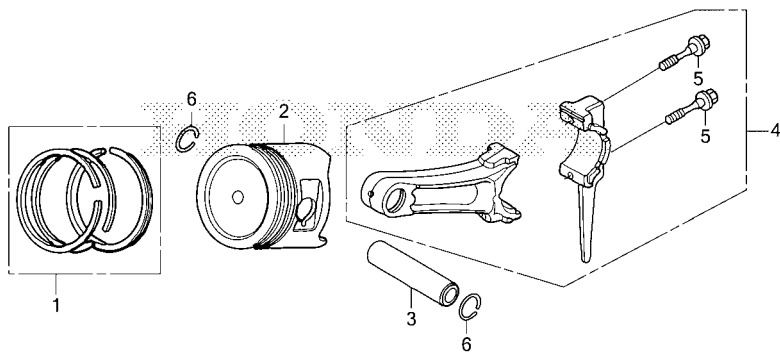
PISTON

Ref. No.	Part No.	Description	Reqd. QTY					Serial No.	Parts catalogue code
			GX 390 UT1	GX 390 UT2	GX 390 RT1	GX 390 RT2	GX 390 UT2X		
(2)	13101-Z5T-800	PISTON(STD.)	-	1	-	-	-	1588222	HA2, LKE, LX2, LXE4, LXE8, LXQ4, LXU, PA2, PAE2, PKT, PXD8, PXE8, PXU QA2, QA26, QA4, QAA2, QAA6, QAE2, QAE4, QAE6, QC2, QDW9, QE, QHB4 QK4, QKA4, QME0, QNE2, QNE8, QNR2, QNR6, QWA4, QWC, QWC4, QWT2, QXB7 QXB9, QXC4, QXC6, QXC9, QXCU, QXE4, QXE6, QXE7, QXE8, QXE9, QXEM QXER, QXQ4, QXS4, QXU, QXUM, QXUZ, QZA2, QZAV, QZC, QZD, QZDS, QZHW QZME, QZN2, QZNH, QZNR, QZRV, QZX9, QZX8, SCK4, SHQ4, SHQ5, SM32 SMC1, SMD3, SME0, SME6, SMX2, SNC, STC4, SWA4, SXB7, SXE4, SXE8 SXQ4, SXU, SZEC, VA2, VM2, VN27, VSD7, VSD9, VX8, VXB7, VXB9, VXE2 VXE7, VXE8, VXE9, VXQ4, VZX7, VZX8
	13101-Z1C-900		-	1	-	-	-	1588223	HA2, LKE, LX2, LXE4, LXE8, LXQ4, LXU, PA2, PAE2, PKT, PXD8, PXE8, PXU QA2, QA26, QA4, QAA2, QAA6, QAE2, QAE4, QAE6, QC2, QDW9, QE, QHB4 QK4, QKA4, QME0, QNE2, QNE8, QNR2, QNR6, QWA4, QWC, QWC4, QWT2, QXB7 QXB9, QXC4, QXC6, QXC9, QXCU, QXE4, QXE6, QXE7, QXE8, QXE9, QXEM QXER, QXQ4, QXS4, QXU, QXUM, QXUZ, QZA2, QZAV, QZC, QZD, QZDS, QZHW QZME, QZN2, QZNH, QZNR, QZRV, QZX9, QZX8, SCK4, SHQ4, SHQ5, SM32 SMC1, SMD3, SME0, SME6, SMX2, SNC, STC4, SWA4, SXB7, SXE4, SXE8 SXQ4, SXU, SZEC, VA2, VM2, VN27, VSD7, VSD9, VX8, VXB7, VXB9, VXE2 VXE7, VXE8, VXE9, VXQ4, VZX7, VZX8
	13101-Z5T-000		-	-	1	-	-		QTT, VKX4, VNG1, VPX4, VPX9, VXG
	13102-Z5T-000	PISTON(0.25)	-	-	(1)	-	-		QTT, VKX4, VNG1, VPX4, VPX9, VXG
	13103-Z5T-000	PISTON(0.50)	-	-	(1)	-	-		QTT, VKX4, VNG1, VPX4, VPX9, VXG
	13104-Z5T-000	PISTON(0.75)	-	-	(1)	-	-		QTT, VKX4, VNG1, VPX4, VPX9, VXG
	13101-Z5T-800	PISTON(STD.)	-	-	-	1	-	1588267	ED6, EDD2, EDS6, EDT6, EZD2, EZDM, EZDS, EZDV, PXM8, QNB2, QTT, QWA2 SDQ5, VAA1, VAG2, VC2, VCT, VCT2, VDE2, VEP9, VK2, VKB2, VKE4, VKER VKX4, VKXR, VPE5, VPE9, VPX4, VPX9, VSD4, VWC, VWC9, VWE, VWS, VWT4 VXG, VZC2, VZP9, VZWE
	13101-Z1C-900		-	-	-	1	-	1588268	ED6, EDD2, EDS6, EDT6, EZD2, EZDM, EZDS, EZDV, PXM8, QNB2, QTT, QWA2 SDQ5, VAA1, VAG2, VC2, VCT, VCT2, VDE2, VEP9, VK2, VKB2, VKE4, VKER VKX4, VKXR, VPE5, VPE9, VPX4, VPX9, VSD4, VWC, VWC9, VWE, VWS, VWT4 VXG, VZC2, VZP9, VZWE
	3 13111-ZF6-W00	PIN, PISTON	-	-	-	-	1		
	13111-Z5T-000		-	-	-	-	1		
	4 13200-Z1C-000	ROD ASSY., CONNECTING(STD.)	1	-	1	-	-		
	13200-ZE3-315	ROD ASSY., CONNECTING (0.25 UNDER SIZE)	(1)	-	(1)	-	-		HA2, LKE, LX2, LXE4, LXQ4, PA2, PAE2, QAE2, QAE4, QAE6, QC2, QE, QHB4 QKA4, QME0, QME2, QNB2, QNE2, QNE6, QNE8, QNR2, QNR6, QWA2, QWC4 QXB7, QXB9, QXC4, QXC6, QXE4, QXE6, QXE7, QXE9, QXH9, QXS2, QXS4 SCK4, SM32, SMC1, SMC2, SMD3, SME0, SME6, SNC, STC4, SWA2, SWA4 SXB7, SXB9, SXE4, SXU, VA2, VAA1, VAA8, VAC2, VAG2, VC2, VC2N, VC2N VD2, VDE2, VEP9, VK2, VKB2, VKE4, VKX4, VM2, VN27, VNG1, VPE5, VPE9 VPX2, VPX4, VPX9, VS49, VSD4, VSD7, VSD9, VTH4, VWC, VWC9, VWE, VWT4 VXB7, VXB9, VXE2, VXE6, VXE7, VXE9, VXG, VXQ4
	13200-Z1C-305		(1)	-	(1)	-	-		LXE8, LXU, PXD8, PXE8, PXU, QA2, QA26, QA4, QAA2, QAA6, QAW, QDW9 QK4, QTT, QWA4, QWT2, QXC9, QXCU, QXE8, QXER, QXQ4, QXU, QXUZ, SHQ2 SHQ4, SXE8, SXQ4, VX8, VXE8
	13200-Z1C-900	ROD ASSY., CONNECTING(STD.)	-	1	-	1	-		EDS6, EDT6, LFU, LXE5, QAGN, QC1, QC3, QC4, QC5, QC6, QC9, QCDW, QCE2 QCWT, QMAH, QNGN, QNRV, QXAC, QZND, QZRL, SC1, SCC, SCM, SCM1, SCM2 SCM3, SHQ6, SMES, SMSC, SMXC, SXBG, SXEM, SXS6, VCF, VCT, VCT2, VKE4 VKX4, VPP9, VSB9, VWC, VWE, VWS1, VXF, VXT, VZS9, VZXZ
	13200-Z1C-305	ROD ASSY., CONNECTING (0.25 UNDER SIZE)	-	(1)	-	-	-		QA26, QAA6, QAE4, QAE6, QNE8, QNR6, QWC4, QXC6, QXS4, QZC, QZDS QZNH, QZRV, QZX9, SMSC, SMXC, SXE8, SXU, SZEC, VA2, VM2, VSD7, VXQ4



E-8

PISTON

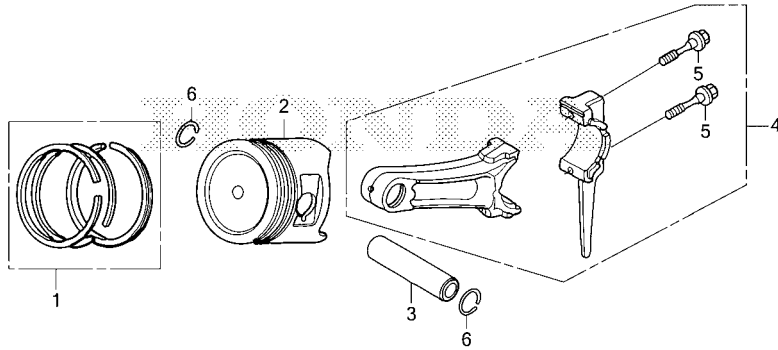


Z5T0E0800A

Ref. No.	Part No.	Description	Reqd. QTY					Serial No.	Parts catalogue code
			GX 390 UT1	GX 390 UT2	GX 390 RT1	GX 390 RT2	GX 390 UT2X		
(4)	13200-Z1C-000	ROD ASSY., CONNECTING(STD.)..	-	1	-	-	-	1588222	HA2, LKE, LX2, LXE4, LXE8, LXQ4, LXU, PA2, PAE2, PKT, PXD8, PXE8, PXU QA2, QA26, QA4, QAA2, QAA6, QAE2, QAE4, QAE6, QC2, QDW9, QE, QHB4 QK4, QKA4, QME0, QNE2, QNE8, QNR2, QNR6, QWA4, QWC, QWC4, QWT2, QXB7 QXB9, QXC4, QXC6, QXC9, QXCU, QXE4, QXE6, QXE7, QXE8, QXE9, QXEM QXER, QXQ4, QXS4, QXU, QXUM, QXUZ, QZA2, QZAV, QZC, QZD, QZDS, QZHW QZME, QZN2, QZNH, QZNR, QZRV, QZX9, QZXR, SCK4, SHQ4, SHQ5, SM32 SMC1, SMD3, SME0, SME6, SMX2, SNC, STC4, SWA4, SXB7, SXE4, SXE8 SXQ4, SXU, SZEC, VA2, VM2, VN27, VSD7, VSD9, VX8, VXB7, VXB9, VXE2 VXE7, VXE8, VXE9, VXQ4, VZX7, VZX8
	13200-Z1C-900	-	1	-	-	-	1588223	HA2, LKE, LX2, LXE4, LXE8, LXQ4, LXU, PA2, PAE2, PKT, PXD8, PXE8, PXU QA2, QA26, QA4, QAA2, QAA6, QAE2, QAE4, QAE6, QC2, QDW9, QE, QHB4 QK4, QKA4, QME0, QNE2, QNE8, QNR2, QNR6, QWA4, QWC, QWC4, QWT2, QXB7 QXB9, QXC4, QXC6, QXC9, QXCU, QXE4, QXE6, QXE7, QXE8, QXE9, QXEM QXER, QXQ4, QXS4, QXU, QXUM, QXUZ, QZA2, QZAV, QZC, QZD, QZDS, QZHW QZME, QZN2, QZNH, QZNR, QZRV, QZX9, QZXR, SCK4, SHQ4, SHQ5, SM32 SMC1, SMD3, SME0, SME6, SMX2, SNC, STC4, SWA4, SXB7, SXE4, SXE8 SXQ4, SXU, SZEC, VA2, VM2, VN27, VSD7, VSD9, VX8, VXB7, VXB9, VXE2 VXE7, VXE8, VXE9, VXQ4, VZX7, VZX8
	13200-Z1C-305	ROD ASSY., CONNECTING (0.25 UNDER SIZE)	-	-	-	(1)	-	-	ED6, EDD2, EZD2, EZDM, EZDV, QWA2, VAA1, VAG2, VK2, VKB2, VPE5, VPX4 VWS, VZC2, VZP9, VZWE
	13200-Z1C-000	ROD ASSY., CONNECTING(STD.)..	-	-	-	1	-	1588267	ED6, EDD2, EDS6, EDT6, EZD2, EZDM, EZDS, EZDV, PXM8, QNB2, QTT, QWA2 SDQ5, VAA1, VAG2, VC2, VCT, VCT2, VDE2, VEP9, VK2, VKB2, VKE4, VKER VKX4, VKXR, VPE5, VPE9, VPX4, VPX9, VSD4, VWC, VWC9, VWE, VWS, VWT4 VXG, VZC2, VZP9, VZWE

E-8

PISTON



FR. →

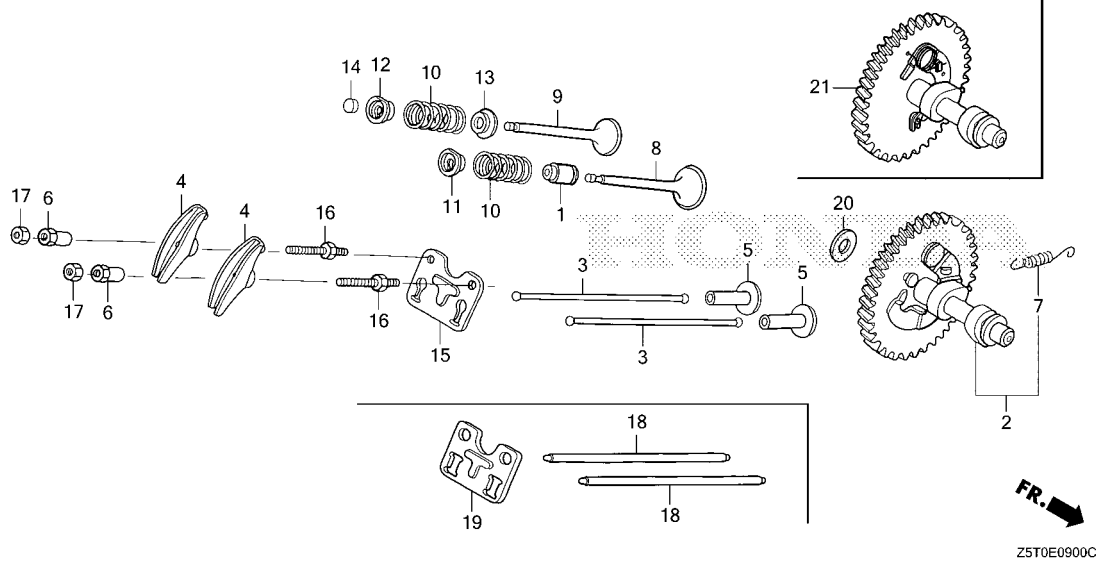
Z5T0E0800A

Ref. No.	Part No.	Description	Reqd. QTY					Serial No.	Parts catalogue code
			GX 390 UT1	GX 390 UT2	GX 390 RT1	GX 390 RT2	GX 390 UT2X		
(4)	13200-Z1C-900	ROD ASSY., CONNECTING(STD.)..	-	-	-	1	-	1588268 -----	ED6, EDD2, EDS6, EDT6, EZD2, EZDM, EZDS, EZDV, PXM8, QNB2, QTT, QWA2, SDQ5, VAA1, VAG2, VC2, VCT, VCT2, VDE2, VEP9, VK2, VKB2, VKE4, VKER, VKX4, VKXR, VPE5, VPE9, VPX4, VPX9, VSD4, VWC, VWC9, VWE, VWS, VWT4, VXG, VZC2, VZP9, VZWE
5	90001-ZE8-000	BOLT, CONNECTING ROD.....	-	-	-	-	1		
6	90601-ZE3-000	CLIP, PISTON PIN, 20MM.....	2	2	2	2	2		

2

E-9

CAMSHAFT



Ref. No. L.O.N. (Relative ref. Number) Description F.R.T.

FR. →
Z5T0E0900C

Ref. No.	Part No.	Description	Reqd. QTY					Serial No.	Parts catalogue code
			GX 390 UT1	GX 390 UT2	GX 390 RT1	GX 390 RT2	GX 390 UT2X		
1	12209-ZE8-003	SEAL, VALVE STEM.....	1	1	1	1	1		
2	14100-ZF6-W01	CAMSHAFT ASSY.....	1	-	1	-	-	HA2, LKE, LX2, LXE4, LXE8, LXQ4, LXU, PA2, PAE2, PXD8, PXE8, PXU, QA2, QA26, QA4, QAA2, QAA6, QAE2, QAE4, QAE6, QAW, QC2, QDW9, QE, QHB4, QK4, QKA4, QME0, QME2, QNB2, QNE2, QNE6, QNE8, QNR2, QNR6, QTT, QWA2, QWA4, QWC4, QWT2, QXC4, QXC6, QXC9, QXCU, QXE4, QXE6, QXE8, QXER, QXQ4, QXS2, QXS4, QXU, QXUZ, SCK4, SHQ2, SHQ4, SM32, SMC1, SMC2, SMD3, SME0, SME6, SNC, STC4, SWA2, SWA4, SXE4, SXE8, SXQ4, SXU, VA2, VAA1, VAA8, VAC2, VAG2, VC2, VC2N, VCN2, VD2, VDE2, VK2, VKB2, VKE4, VKX4, VM2, VNG1, VPE5, VPX2, VPX4, VSD4, VTH4, VWC, VWE, VWT4, VX8, VXE2, VXE6, VXE8, VXG, VXQ4, QXB9, QXE9, QXH9, SXB9, VEP9, VPE9, VPX9, VS49, VSD9, VWC9, VXB9, VXE9, QXB7, QXE7, SXB7, VN27, VSD7, VXB7, VXE7	
	14100-ZK6-880	1	-	1	-	-		
	14100-ZK6-870	1	-	-	-	-		
	14100-Z5T-810	-	1	-	1	-	1097146	
	14100-Z5T-820	-	1	-	1	-	1103540	
			-	1	-	-	-	1001874	

2

E-9

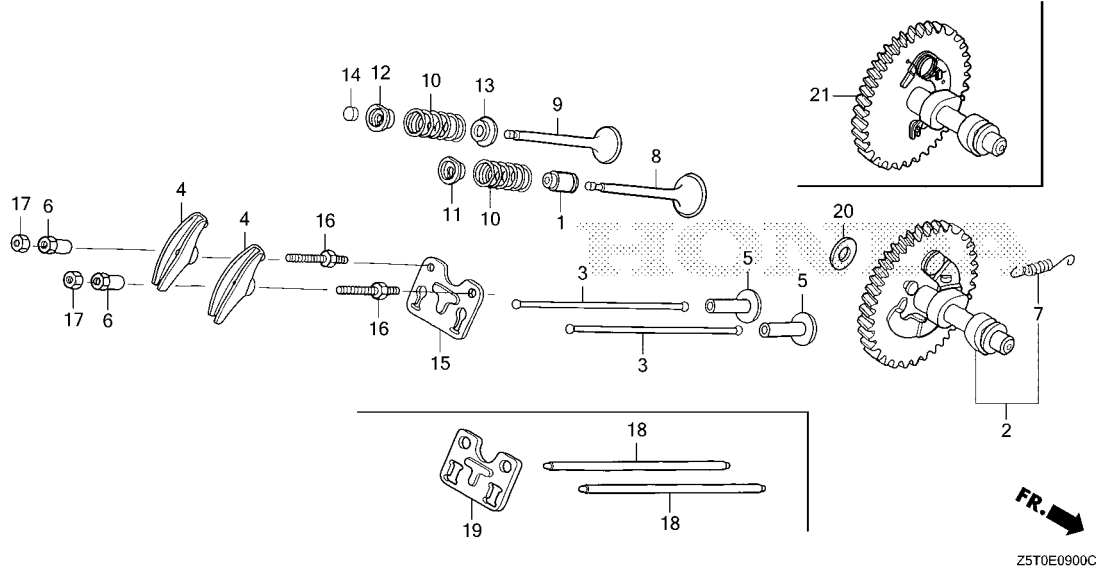
CAMSHAFT

Ref. No.	Part No.	Description	Reqd. QTY					Serial No.	Parts catalogue code
			GX 390 UT1	GX 390 UT2	GX 390 RT1	GX 390 RT2	GX 390 UT2X		
(2)	14100-Z5T-810	CAMSHAFT ASSY.	-	1	-	-	-	1097147 1373102	HA2, LKE, LX2, LXE4, LXE8, LXQ4, LXU, PA2, PAE2, PXD8, PXE8, PXU, QA2, QA26, QA4, QAA2, QAA6, QAE2, QAE4, QAE6, QC2, QDW9, QE, QHB4, QK4, QKA4, QME0, QNE2, QNE8, QNR2, QNR6, QWA4, QWC4, QWT2, QXC4, QXC6, QXC9, QXCU, QXE4, QXE6, QXE8, QXER, QXQ4, QXS4, QXU, QXUZ, QZA2, QZAV, QZN2, QZNR, QZXR, SCK4, SHQ4, SHQ5, SM32, SMC1, SMD3, SME0, SME6, SNC, STC4, SWA4, SXE4, SXE8, SXQ4, SXU, VA2, VM2, VX8, VXE2, VXE8, VXQ4, VZX8
			-	1	-	-	-	1169035 1373102	QWC, QZNH, SMX2
			-	-	-	-	-	1373592	SDQ5
	14100-Z5T-820	-	-	-	-	-	1002258	VEP9, VPE9, VPX9, VZP9
	14100-Z5T-810	-	-	-	-	-	1097147 1373592	QNB2, QTT, QWA2, VAA1, VAG2, VAC2, VDE2, VK2, VKB2, VKE4, VKX4, VPE5, VPX4, VSD4, VWC, VWE, VWT4, VXG, VZC2
3	14410-Z1C-000	ROD, PUSH	2	2	2	2	2	1169035 1373592	ED6, EDD2, EDS6, EDT6, EZD2, PXM8, VCT2, VKER, VKXR, VWS, VZWE, ED6, EDD2, EDS6, EDT6, EZD2, EZDM, EZDS, EZDV, HA2, LFU, LKE, LX2, LXE4, LXE5, LXE8, LXQ4, LXU, PA2, PAE2, PKT, PXD8, PXE8, PXM8, PXU, QA2, QA26, QA4, QAA2, QAA6, QAE2, QAE4, QAE6, QAGN, QAW, QC1, QC2, QC3, QC4, QC5, QC6, QC9, QCDW, QCE2, QCWT, QDW9, QE, QHB4, QK4, QKA4, QMAH, QME0, QME2, QNB2, QNE2, QNE6, QNE8, QNGN, QNR2, QNR6, QNRV, QTT, QWA2, QWA4, QWC, QWC4, QWT2, QXAC, QXB7, QXC4, QXC6, QXC9, QXCU, QXE4, QXE6, QXE7, QXE8, QXEM, QXER, QXQ4, QXS2, QXS4, QXU, QXUM, QXUZ, QZA2, QZAV, QZC, QZD, QZDS, QZME, QZN2, QZND, QZNR, QZNRV, QZXR, SC1, SCC, SCK4, SCM, SCM1, SCM2, SCM3, SCMV, SDQ5, SE1C, SE2C, SHQ2, SHQ4, SHQ5, SHQ6, SM32, SMC1, SMC2, SMD3, SME0, SME6, SMES, SMSC, SMX2, SMXC, SNC, STC4, SWA2, SWA4, SXB7, SXBG, SXE4, SXE8, SXEM, SXQ4, SXS6, SXU, SZEC, VA2, VAA1, VAA8, VAC2, VAG2, VAC2, VC2N, VCF, VCN2, VCT, VCT2, VD2, VDE2, VK2, VKB2, VKE4, VKER, VKX4, VKXR, VM2, VN27, VNG1, VPE5, VPX2, VPX4, VSD4, VSD7, VTH4, VWC, VWE, VWS, VWS1, VWT4, VX8, VXB7, VXE2, VXE6, VXE7, VXE8, VXF, VXG, VXQ4, VXT, VZC2, VZWE, VZX7, VZX8, VZXZ
4	14431-ZE2-010	ARM, VALVE ROCKER	2	2	2	2	2		
5	14441-ZE2-000	LIFTER, VALVE	2	2	2	2	2		
6	14451-ZE1-013	PIVOT, ROCKER ARM	2	-	2	-	-		
	14451-Z4M-000	-	2	-	2	-	-----	LFU, LXE5, QAGN, QC1, QC3, QC4, QC5, QC6, QC9, QCDW, QCE2, QCWT, QMAH, QNGN, QNRV, QXC4, QZRL, SC1, SCC, SCM, SCM1, SCM2, SCM3, SMES, SMSC, SXBG, SXEM, SXS6, VCF, VPP9, VSB9, VWS1, VXF, VXT, VZS9, VZXZ
	14451-ZE1-013	-	2	-	-	-	-----	QA26, QAA6, QAE4, QAE6, QNE8, QNR6, QXC6, QZNH, QZX9, VA2, VSD7, VXQ4
			-	2	-	-	-	1880844	HA2, LKE, LX2, LXE4, LXE8, LXQ4, LXU, PA2, PAE2, PKT, PXD8, PXE8, PXU, QA2, QA4, QAA2, QAE2, QC2, QDW9, QE, QHB4, QK4, QKA4, QME0, QNE2, QNR2, QWA4, QWC, QWC4, QWT2, QXB7, QXB9, QXC4, QXC6, QXC9, QXCU, QXE4, QXE6, QXE7, QXE8, QXE9, QXEM, QXER, QXQ4, QXS4, QXU, QXUM, QXUZ, QZA2, QZAV, QZC, QZD, QZDS, QZHW, QZME, QZN2, QZND, QZNR, QZRV, QZXR, SCK4, SHQ4, SHQ5, SHQ6, SM32, SMC1, SMD3, SME0, SME6, SMX2, SMXC, SNC, STC4, SWA4, SXB7, SXE4, SXE8, SXQ4, SXU, SZEC, VM2, VN27, VSD9, VX8, VXB7, VXB9, VXE2, VXE7, VXE8, VXE9, VZX7, VZX8
	14451-Z4M-000	-	2	-	-	-	1880845	HA2, LKE, LX2, LXE4, LXE8, LXQ4, LXU, PA2, PAE2, PKT, PXD8, PXE8, PXU, QA2, QA4, QAA2, QAE2, QC2, QDW9, QE, QHB4, QK4, QKA4, QME0, QNE2, QNR2, QWA4, QWC, QWC4, QWT2, QXB7, QXB9, QXC4, QXC6, QXC9, QXCU, QXE4, QXE6, QXE7, QXE8, QXE9, QXEM, QXER, QXQ4, QXS4, QXU, QXUM, QXUZ, QZA2, QZAV, QZC, QZD, QZDS, QZHW, QZME, QZN2, QZND, QZNR, QZRV, QZXR, SCK4, SHQ4, SHQ5, SHQ6, SM32, SMC1, SMD3, SME0, SME6, SMX2, SMXC, SNC, STC4, SWA4, SXB7, SXE4, SXE8, SXQ4, SXU, SZEC, VM2, VN27, VSD9, VX8, VXB7, VXB9, VXE2, VXE7, VXE8, VXE9, VZX7, VZX8
	14451-ZE1-013	-	-	-	2	-	-----	QWA2, VAA1, VAG2, VK2, VKB2, VPE5, VPX4, VZC2, VZP9, VZWE
			-	-	-	2	-	1880894	ED6, EDD2, EDS6, EDT6, EZD2, EZDM, EZDS, EZDV, PXM8, QNB2, QTT, SDQ5, VC2, VCT, VCT2, VDE2, VEP9, VKE4, VKER, VKX4, VKXR, VPE9, VPX9, VSD4, VWC, VWC9, VWE, VWS, VWT4, VXG



E-9

CAMSHAFT



Ref. No.	Part No.	Description	Reqd. QTY					Serial No.	Parts catalogue code
			GX 390 UT1	GX 390 UT2	GX 390 RT1	GX 390 RT2	GX 390 UT2X		
(6)	14451-Z4M-000	PIVOT, ROCKER ARM	-	-	-	2	-	1880895 -----	ED6, EDD2, EDS6, EDT6, EZD2, EZDM, EZDS, EZDV, PXM8, QNB2, QTT, SDQ5 VC2, VCT, VCT2, VDE2, VEP9, VKE4, VKER, VKX4, VKXR, VPE9, VPX9, VSD4 VWC, VWC9, VWE, VWS, VWT4, VXG
			-	-	-	2			



E-9

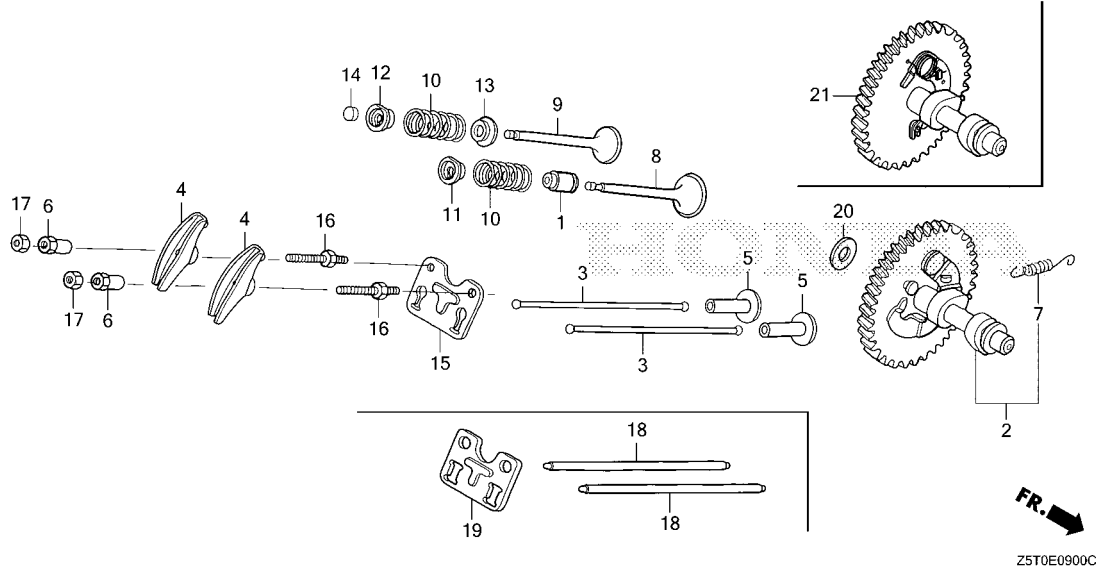
CAMSHAFT

Ref. No.	Part No.	Description	Reqd. QTY					Serial No.	Parts catalogue code
			GX 390 UT1	GX 390 UT2	GX 390 RT1	GX 390 RT2	GX 390 UT2X		
7	14568-ZE1-000	SPRING, WEIGHT RETURN	1	-	1	-	-		
			-	1	-	1	-	----- 1097146 HA2, LKE, LX2, LXE4, LXE8, LXQ4, LXU, PA2, PAE2, PXD8, PXE8, PXU, QA2, QA26, QA4, QAA2, QAA6, QAE2, QAE4, QAE6, QC2, QDW9, QE, QHB4, QK4, QKA4, QME0, QNE2, QNE8, QNR2, QNR6, QTT, QWA2, QWA4, QWC4, QWT2, QXC4, QXC6, QXC9, QXCU, QXE4, QXE6, QXE8, QXER, QXQ4, QXS4, QXU, QXUZ, QZA2, QZAV, QZN2, QZNR, QZXR, SCK4, SHQ4, SHQ5, SM32, SMC1, SMD3, SME0, SME6, SNC, STC4, SWA4, SXE4, SXE8, SXQ4, SXU, VA2, VAA1, VAG2, VC2, VDE2, VK2, VKB2, VKE4, VKX4, VM2, VPE5, VPX4, VSD4, VWC, VWE, VWT4, VX8, VXE2, VXE8, VXG, VXQ4, VZC2, VZX8	
			-	1	-	1	-	----- 1103540 QXB7, QXB9, QXE7, QZX9, SXB7, VEP9, VN27, VPE9, VPX9, VSD7, VSD9, VWC9, VXB7, VXB9, VXE7, VXE9, VZP9, VZX7	
			-	1	-	-	-	1001874 ----- QXB7, QXB9, QXE7, QZX9, SXB7, VN27, VSD7, VSD9, VXB7, VXB9, VXE7, VXE9, VZX7	
			-	1	-	-	-	1097147 1373102 HA2, LKE, LX2, LXE4, LXE8, LXQ4, LXU, PA2, PAE2, PXD8, PXE8, PXU, QA2, QA26, QA4, QAA2, QAA6, QAE2, QAE4, QAE6, QC2, QE, QHB4, QK4, QKA4, QME0, QNE2, QNE8, QNR2, QNR6, QWA4, QWC4, QWT2, QXC4, QXC6, QXC9, QXCU, QXE4, QXE6, QXE8, QXER, QXQ4, QXS4, QXU, QXUZ, QZA2, QZAV, QZN2, QZNR, QZXR, SCK4, SHQ4, SHQ5, SM32, SMC1, SMD3, SME0, SME6, SNC, STC4, SWA4, SXE4, SXE8, SXQ4, SXU, VA2, VM2, VX8, VXE2, VXE8, VXQ4, VZX8	
			-	1	-	-	-	1169035 1373102 QDW9, QWC, QZNH, SMX2	
			-	-	-	1	-	----- 1373592 SDQ5	
			-	-	-	1	-	1002258 ----- VEP9, VPE9, VPX9, VZP9	
			-	-	-	1	-	1097147 1373592 QTT, QWA2, VAA1, VC2	
			-	-	-	1	-	1169035 1373592 ED6, EDD2, EDS6, EDT6, EZD2, PXM8, QNB2, VAG2, VCT2, VDE2, VK2, VKB2, VKE4, VKER, VKX4, VKXR, VPE5, VPX4, VSD4, VWC, VWE, VWS, VWT4, VXG, VZC2, VZWE	
8	14711-ZE3-000	VALVE, IN.	1	-	1	-	-		
	14711-Z5T-900	-	1	-	1	-	----- EZDM, EZDS, EZDV, LFU, LXE5, QAGN, QC1, QC3, QC4, QC5, QC6, QC9, QCDW, QCE2, QCWT, QMAH, QNGN, QNRV, QXAC, QZC, QZD, QZDS, QZHW, QZME, QZND, QZRL, QZRV, SC1, SCC, SCM, SCM1, SCM2, SCM3, SHQ6, SMES, SMSC, SMXC, SXBG, SXEM, SXS6, SZEC, VCF, VPP9, VSB9, VWS1, VXF, VXT, VZS9, VZXZ	
	14711-Z5T-000	-	1	-	-	-	1517215 HA2, LKE, LX2, LXE4, LXE8, LXQ4, LXU, PA2, PAE2, PKT, PXD8, PXE8, PXU, QA2, QA26, QA4, QAA2, QAA6, QAE2, QAE4, QAE6, QC2, QDW9, QE, QHB4, QK4, QKA4, QME0, QNE2, QNE8, QNR2, QNR6, QWA4, QWC, QWC4, QWT2, QXB7, QXB9, QXC4, QXC6, QXC9, QXCU, QXE4, QXE6, QXE7, QXE8, QXE9, QXEM, QXER, QXQ4, QXS4, QXU, QXUM, QXUZ, QZA2, QZAV, QZN2, QZNH, QZNR, QZX9, QZXR, SCK4, SHQ4, SHQ5, SM32, SMC1, SMD3, SME0, SME6, SMX2, SNC, STC4, SWA4, SXB7, SXE4, SXE8, SXQ4, SXU, VA2, VM2, VN27, VSD7, VSD9, VX8, VXB7, VXB9, VXE2, VXE7, VXE8, VXE9, VXQ4, VZX7, VZX8	
	14711-Z5T-900	-	1	-	-	-	1517216 HA2, LKE, LX2, LXE4, LXE8, LXQ4, LXU, PA2, PAE2, PKT, PXD8, PXE8, PXU, QA2, QA26, QA4, QAA2, QAA6, QAE2, QAE4, QAE6, QC2, QDW9, QE, QHB4, QK4, QKA4, QME0, QNE2, QNE8, QNR2, QNR6, QWA4, QWC, QWC4, QWT2, QXB7, QXB9, QXC4, QXC6, QXC9, QXCU, QXE4, QXE6, QXE7, QXE8, QXE9, QXEM, QXER, QXQ4, QXS4, QXU, QXUM, QXUZ, QZA2, QZAV, QZN2, QZNH, QZNR, QZX9, QZXR, SCK4, SHQ4, SHQ5, SM32, SMC1, SMD3, SME0, SME6, SMX2, SNC, STC4, SWA4, SXB7, SXE4, SXE8, SXQ4, SXU, VA2, VM2, VN27, VSD7, VSD9, VX8, VXB7, VXB9, VXE2, VXE7, VXE8, VXE9, VXQ4, VZX7, VZX8	
	14711-Z5T-000	-	-	-	1	-	1517807 ED6, EDD2, EDS6, EDT6, EZD2, PXM8, QNB2, QTT, QWA2, SDQ5, VAA1, VAG2, VC2, VCT, VCT2, VDE2, VEP9, VK2, VKB2, VKE4, VKER, VKX4, VKXR, VPE5, VPE9, VPX4, VPX9, VSD4, VWC, VWC9, VWE, VWS, VWT4, VXG, VZC2, VZP9, VZWE	
	14711-Z5T-900	-	-	-	1	-	1517808 ED6, EDD2, EDS6, EDT6, EZD2, PXM8, QNB2, QTT, QWA2, SDQ5, VAA1, VAG2, VC2, VCT, VCT2, VDE2, VEP9, VK2, VKB2, VKE4, VKER, VKX4, VKXR, VPE5, VPE9, VPX4, VPX9, VSD4, VWC, VWC9, VWE, VWS, VWT4, VXG, VZC2, VZP9, VZWE	
9	14721-ZE3-000	VALVE, EX.	-	-	-	-	1		
			1	-	1	-	-		



E-9

CAMSHAFT



Ref. No.	Part No.	Description	Reqd. QTY					Serial No.	Parts catalogue code
			GX 390 UT1	GX 390 UT2	GX 390 RT1	GX 390 RT2	GX 390 UT2X		
(9)	14721-Z5T-900	VALVE, EX.	-	1	-	1	-	EZDM, EZDS, EZDV, LFU, LXE5, QAGN, QC1, QC3, QC4, QC5, QC6, QC9, QCDW QCE2, QCWT, QMAH, QNGN, QNRV, QXAC, QZC, QZD, QZDS, QZHW, QZME, QZND QZRL, QZRV, SC1, SCC, SCM, SCM1, SCM2, SCM3, SHQ6, SMES, SMSC, SMXC SXBG, SXEM, SZEC, VCF, VPP9, VSB9, VWS1, VXF, VXT, VZS9, VZXZ	
	14721-Z5T-000	-	1	-	-	1517215	HA2, LKE, LX2, LXE4, LXE8, LXQ4, LXU, PA2, PAE2, PKT, PXD8, PXE8, PXU QA2, QA26, QA4, QAA2, QAA6, QAE2, QAE4, QAE6, QC2, QDW9, QE, QHB4 QK4, QKA4, QME0, QNE2, QNE8, QNR2, QNR6, QWA4, QWC, QWC4, QWT2, QXB7 QXB9, QXC4, QXC6, QXC9, QXCU, QXE4, QXE6, QXE7, QXE8, QXE9, QXEM QXER, QXQ4, QXS4, QXU, QXUM, QXUZ, QZA2, QZAV, QZN2, QZNH, QZNR QZX9, QZXR, SCK4, SHQ4, SHQ5, SM32, SMC1, SMD3, SME0, SME6, SMX2 SNC, STC4, SWA4, SXB7, SXE4, SXE8, SXQ4, SXU, VA2, VM2, VN27, VSD7 VSD9, VX8, VXB7, VXB9, VXE2, VXE7, VXE8, VXE9, VXQ4, VZX7, VZX8	
	14721-Z5T-900	-	1	-	-	1517216	HA2, LKE, LX2, LXE4, LXE8, LXQ4, LXU, PA2, PAE2, PKT, PXD8, PXE8, PXU QA2, QA26, QA4, QAA2, QAA6, QAE2, QAE4, QAE6, QC2, QDW9, QE, QHB4 QK4, QKA4, QME0, QNE2, QNE8, QNR2, QNR6, QWA4, QWC, QWC4, QWT2, QXB7 QXB9, QXC4, QXC6, QXC9, QXCU, QXE4, QXE6, QXE7, QXE8, QXE9, QXEM QXER, QXQ4, QXS4, QXU, QXUM, QXUZ, QZA2, QZAV, QZN2, QZNH, QZNR QZX9, QZXR, SCK4, SHQ4, SHQ5, SM32, SMC1, SMD3, SME0, SME6, SMX2 SNC, STC4, SWA4, SXB7, SXE4, SXE8, SXQ4, SXU, VA2, VM2, VN27, VSD7 VSD9, VX8, VXB7, VXB9, VXE2, VXE7, VXE8, VXE9, VXQ4, VZX7, VZX8	
	14721-Z5T-800	VALVE, EX. (STELLITE)	-	-	-	1	-	ED6, EDD2, EDS6, EDT6, SXS6, VWS	
	14721-Z5T-000	VALVE, EX.	-	-	-	1	1517807	EZD2, PXM8, QNB2, QTT, QWA2, SDQ5, VAA1, VAG2, VC2, VCT, VCT2, VDE2 VEP9, VK2, VKB2, VKE4, VKER, VKX4, VKXR, VPE5, VPE9, VPX4, VPX9 VSD4, VWC, VWC9, VWE, VWT4, VXG, VZC2, VZP9, VZWE	
	14721-Z5T-900	-	-	-	1	1517808	EZD2, PXM8, QNB2, QTT, QWA2, SDQ5, VAA1, VAG2, VC2, VCT, VCT2, VDE2 VEP9, VK2, VKB2, VKE4, VKER, VKX4, VKXR, VPE5, VPE9, VPX4, VPX9 VSD4, VWC, VWC9, VWE, VWT4, VXG, VZC2, VZP9, VZWE	
10	14751-Z1C-000	SPRING, VALVE	-	2	2	2	2	1	



E-9

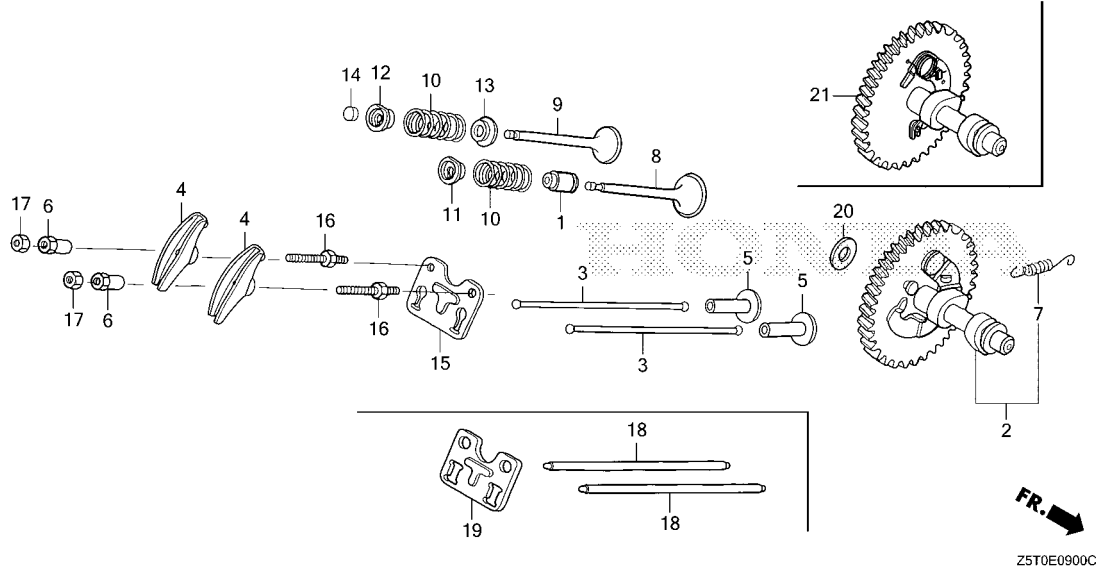
CAMSHAFT

Ref. No.	Part No.	Description	Reqd. QTY					Serial No.	Parts catalogue code
			GX 390 UT1	GX 390 UT2	GX 390 RT1	GX 390 RT2	GX 390 UT2X		
11	14771-Z8S-000	RETAINER, IN. VALVE SPRING...	1	-	1	-	-	HA2, LKE, LX2, LXE4, LXQ4, PA2, PAE2, QA4, QAE2, QAE4, QAE6, QC2, QE QHB4, QKA4, QME0, QME2, QNB2, QNE2, QNE6, QNE8, QNR2, QNR6, QWA2 QWC4, QXB7, QXB9, QXC4, QXC6, QXCU, QXE4, QXE6, QXE7, QXE9, QXH9 QXS2, QXS4, SCK4, SHQ2, SM32, SMC1, SMC2, SMD3, SME0, SME6, SNC STC4, SWA2, SWA4, SXB7, SXB9, SXE4, SXU, VA2, VAA1, VAA8, VAC2, VAG2 VC2, VC2N, VCN2, VD2, VDE2, VEP9, VK2, VKB2, VKE4, VM2, VN27, VPE5 VPE9, VPX2, VS49, VSD4, VTH4, VMC, VMC9, VWE, VWT4, VXE2, VXE6, VXE7 VXE9, VXQ4	
	14771-ZE2-000	1	-	-	-	-	1592499 LXE8, LXU, PXD8, PXE8, PXU, QA2, QA26, QAA2, QAA6, QAW, QDW9, QK4 QTT, QWA4, QWT2, QXC9, QXE8, QXER, QXQ4, QXU, QXUZ, SHQ4, SXE8, SXQ4 VKX4, VNG1, VPX4, VPX9, VSD7, VSD9, VX8, VXB7, VXB9, VXE8, VXG	
	14771-Z8S-000	1	-	-	-	-	1592500 LXE8, LXU, PXD8, PXE8, PXU, QA2, QA26, QAA2, QAA6, QAW, QDW9, QK4 QTT, QWA4, QWT2, QXC9, QXE8, QXER, QXQ4, QXU, QXUZ, SHQ4, SXE8, SXQ4 VKX4, VNG1, VPX4, VPX9, VSD7, VSD9, VX8, VXB7, VXB9, VXE8, VXG	
	14771-ZE2-000	-	1	-	1	1	1599798 QTT, VKX4, VNG1, VPX4, VPX9, VXG	
	14771-Z8S-000	-	-	1	-	-	1599799 QTT, VKX4, VNG1, VPX4, VPX9, VXG	
12	14773-Z8S-000	RETAINER, EX. VALVE SPRING...	1	-	1	-	-	HA2, LKE, LX2, LXE4, LXQ4, PA2, PAE2, QA4, QAE2, QAE4, QAE6, QC2, QE QHB4, QKA4, QME0, QME2, QNB2, QNE2, QNE6, QNE8, QNR2, QNR6, QWA2 QWC4, QXB7, QXB9, QXC4, QXC6, QXCU, QXE4, QXE6, QXE7, QXE9, QXH9 QXS2, QXS4, SCK4, SHQ2, SM32, SMC1, SMC2, SMD3, SME0, SME6, SNC STC4, SWA2, SWA4, SXB7, SXB9, SXE4, SXU, VA2, VAA1, VAA8, VAC2, VAG2 VC2, VC2N, VCN2, VD2, VDE2, VEP9, VK2, VKB2, VKE4, VM2, VN27, VPE5 VPE9, VPX2, VS49, VSD4, VTH4, VMC, VMC9, VWE, VWT4, VXE2, VXE6, VXE7 VXE9, VXQ4	
	14773-ZE2-000	1	-	-	-	-	1592499 LXE8, LXU, PXD8, PXE8, PXU, QA2, QA26, QAA2, QAA6, QAW, QDW9, QK4 QTT, QWA4, QWT2, QXC9, QXE8, QXER, QXQ4, QXU, QXUZ, SHQ4, SXE8, SXQ4 VKX4, VNG1, VPX4, VPX9, VSD7, VSD9, VX8, VXB7, VXB9, VXE8, VXG	
	14773-Z8S-000	1	-	-	-	-	1592500 LXE8, LXU, PXD8, PXE8, PXU, QA2, QA26, QAA2, QAA6, QAW, QDW9, QK4 QTT, QWA4, QWT2, QXC9, QXE8, QXER, QXQ4, QXU, QXUZ, SHQ4, SXE8, SXQ4 VKX4, VNG1, VPX4, VPX9, VSD7, VSD9, VX8, VXB7, VXB9, VXE8, VXG	
	14771-Z8S-000	RETAINER, IN. VALVE SPRING... (EXHAUST SIDE)	-	1	-	1	1	1599798 QTT, VKX4, VNG1, VPX4, VPX9, VXG	
	14773-ZE2-000	RETAINER, EX. VALVE SPRING...	-	-	1	-	-	1599799 QTT, VKX4, VNG1, VPX4, VPX9, VXG	
	14773-Z8S-000	-	-	1	-	-	1599799 QTT, VKX4, VNG1, VPX4, VPX9, VXG	
13	14775-ZE2-010	SEAT, VALVE SPRING.....	1	1	1	1	1		
14	14781-ZE2-000	ROTATOR, VALVE.....	1	-	1	-	-		
15	14791-ZE2-010	GUIDE, PUSH ROD.....	1	-	-	-	-	LX2, QC2, QE, QME0, QNE8, QXC6, QXE7, SXB7, VA2, VXE2	
	14791-Z1D-000	1	-	-	-	-	QA4, QAE4, QME2, QXCU, QXS2, SHQ2, SMC2, SWA2, VPX2	
	14791-ZE2-010	1	-	-	-	-	1510630 LXE8, LXU, PXD8, PXE8, PXU, QA2, QA26, QAA2, QAA6, QAW, QDW9, QK4 QTT, QWA4, QWT2, QXC9, QXE8, QXER, QXQ4, QXU, QXUZ, SHQ4, SXE8, SXQ4 VKX4, VNG1, VPX4, VSD7, VX8, VXB7, VXE8, VXG	
		1	-	-	-	-	1517039 HA2, LKE, LXE4, LXQ4, PA2, PAE2, QAE2, QAE6, QHB4, QKA4, QNE2, QNE6 QNR2, QNR6, QWC4, QXB7, QXC4, QXE4, QXE6, QXS4, SCK4, SM32, SMC1 SMD3, SME0, SME6, SNC, STC4, SWA4, SXE4, SXU, VC2N, VM2, VN27, VXE6 VXE7, VXQ4	



E-9

CAMSHAFT



Z5T0E0900C

Ref. No.	Part No.	Description	Reqd. QTY					Serial No.	Parts catalogue code
			GX 390 UT1	GX 390 UT2	GX 390 RT1	GX 390 RT2	GX 390 UT2X		
15)	14791-Z1D-000	GUIDE, PUSH ROD.....	1	-	-	-	-	1510631	LXE8, LXU, PXD8, PXE8, PXU, QA2, QA26, QAA2, QAA6, QAW, QDW9, QK4, QTT, QWA4, QWT2, QXC9, QXE8, QXER, QXQ4, QXU, QXUZ, SHQ4, SXE8, SXQ4, VKX4, VNG1, VPX4, VSD7, VX8, VXB7, VXE8, VXG
			1	-	-	-	-	1517040	HA2, LKE, LXE4, LXQ4, PA2, PAE2, QAE2, QAE6, QHB4, QKA4, QNE2, QNE6, QNR2, QNR6, QWC4, QXB7, QXC4, QXE4, QXE6, QXS4, SCK4, SMC1, SMD3, SME0, SME6, SNC, STC4, SWA4, SXE4, SXU, VC2N, VM2, VN27, VXE6, VXE7, VXQ4
			-	1	-	1	1		ED6, EDD2, EDS6, EDT6, EZD2, EZDM, EZDS, EZDV, HA2, LFU, LKE, LX2, LXE4, LXE5, LXE8, LXQ4, LXU, PA2, PAE2, PKT, PXD8, PXE8, PXM8, PXU, QA2, QA26, QA4, QAA2, QAA6, QAE2, QAE4, QAE6, QAGN, QC1, QC2, QC3, QC4, QC5, QC6, QC9, QCDW, QCE2, QCWT, QDW9, QE, QHB4, QK4, QKA4, QMAH, QME0, QNB2, QNE2, QNE8, QNGN, QNR2, QNR6, QNRV, QTT, QWA2, QWA4, QWC, QWC4, QWT2, QXAC, QXB7, QXC4, QXC6, QXC9, QXCU, QXE4, QXE6, QXE7, QXE8, QXEM, QXER, QXQ4, QXS4, QXU, QXUM, QXUZ, QZA2, QZAV, QZC, QZD, QZDS, QZME, QZN2, QZND, QZNH, QZNR, QZRV, QZXR, SC1, SCC, SCK4, SCM, SCM1, SCM2, SCM3, SCMV, SDQ5, SE1C, SE2C, SHQ4, SHQ5, SHQ6, SM32, SMC1, SMD3, SME0, SME6, SMES, SMSC, SMX2, SMXC, SNC, STC4, SWA4, SXB7, SXBG, SXE4, SXE8, SXEM, SXQ4, SXS6, SXU, SZEC, VA2, VAA1, VAG2, VC2, VCF, VCT, VCT2, VDE2, VK2, VKB2, VKE4, VKER, VKX4, VKXR, VM2, VN27, VPE5, VPX4, VSD4, VSD7, VVC, VWE, VWS, VWS1, VWT4, VX8, VXB7, VXE2, VXE7, VXE8, VXF, VXG, VXQ4, VXT, VZC2, VZWE, VZX7, VZX8, VZXZ
	14791-ZE2-010	-	-	1	-	-	1513383	QTT, VKX4, VNG1, VPX4, VXG
			-	-	1	-	-	1518791	QNB2, QWA2, VAA1, VAA8, VAC2, VAG2, VC2, VCN2, VD2, VDE2, VK2, VKB2, VKE4, VPE5, VSD4, VTH4, VVC, VWE, VWT4
	14791-Z1D-000	-	-	1	-	-	1513384	QTT, VKX4, VNG1, VPX4, VXG
			-	-	1	-	-	1518792	QNB2, QWA2, VAA1, VAA8, VAC2, VAG2, VC2, VCN2, VD2, VDE2, VK2, VKB2, VKE4, VPE5, VSD4, VTH4, VVC, VWE, VWT4
16	90012-ZE0-010	BOLT, PIVOT, 8MM.....	2	2	2	2	2		

E-9

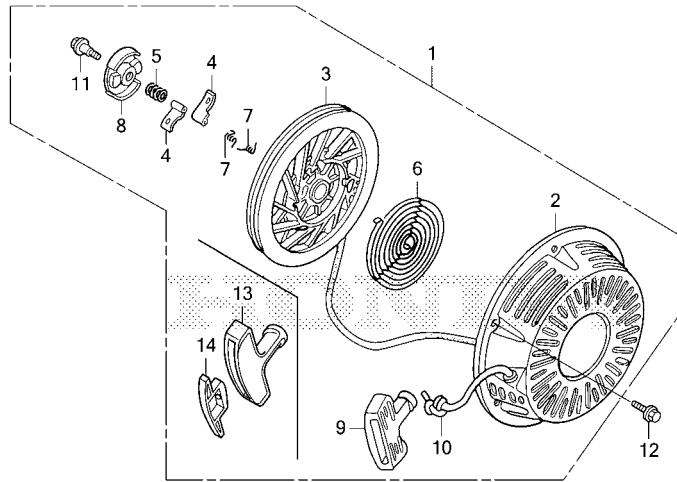
CAMSHAFT

Ref. No.	Part No.	Description	Reqd. QTY					Serial No.	Parts catalogue code
			GX 390 UT1	GX 390 UT2	GX 390 RT1	GX 390 RT2	GX 390 UT2X		
17	90206-ZE1-000	NUT, PIVOT ADJUSTING.....	2	2	2	2	2		
18	14410-ZK6-880	ROD COMP., PUSH.....	2	2	2	2	2	----- QXB9, QXE9, QXH9, QZHW, QZRL, QZX9, SXB9, VEP9, VPE9, VPP9, VPX9 VS49, VSB9, VSD9, VWC9, VXB9, VXE9, VZP9, VZS9	
19	14791-ZK6-880	GUIDE, PUSH ROD.....	1	1	1	1	1	----- QXB9, QXE9, QXH9, QZHW, QZRL, QZX9, SXB9, VEP9, VPE9, VPP9, VPX9 VS49, VSB9, VSD9, VWC9, VXB9, VXE9, VZP9, VZS9	
20	90413-ZK6-880	WASHER, THRUST, 16.1MM.....	1	-	1	1	-	----- QXB9, QXE9, QXH9, SXB9, VEP9, VPE9, VPP9, VPX9, VS49, VSD9, VWC9 VXB9, VXE9, VZP9, VZXZ	
			-	1	-	-	1	----- QXAC, QXB7, QXB9, QXE7, QXE9, QZHW, QZRL, QZX9, SXB7, VN27, VSB9 VSD7, VSD9, VXB7, VXB9, VXE7, VXE9, VZS9, VZX7	
21	14100-Z5T-910	CAMSHAFT COMP.(STD.).....	-	1	-	1	-	----- ED6, EDD2, EZD2, EZDM, EZDS, EZDV, LFU, LXE5, PKT, QC1, QC3, QC4, QC5 QC6, QCE2, QCWT, QMAH, QNRV, QWC, QXEM, QXUM, QZC, QZD, QZDS, QZME QZND, QZNH, QZRV, SC1, SCC, SCM, SCM1, SCM2, SCM3, SHQ6, SMSC, SMX2 SMXC, SXBG, SXEM, SZEC, VKER, VKXR, VWS, VZWE	
			-	1	-	1	-	----- 3802784 EDS6, EDT6, PXM8, QAGN, QC9, QCDW, QNGN, SDQ5, SMES, VCT, VCT2, VWS1 VXT	
			-	1	-	1	-	1097147 ----- LKE, LX2, LXE4, LXE8, LXQ4, LXU, PA2, PXD8, PXE8, PXU, QA26, QA4 QAA6, QAE4, QAE6, QC2, QDW9, QE, QHB4, QK4, QKA4, QME0, QNE8, QNR6 QWA2, QWA4, QWC4, QWT2, QXC4, QXC6, QXC9, QXCU, QXE6, QXE8, QXER QXS4, QXU, QZAV, QZNR, QZXR, SCK4, SHQ4, SHQ5, SM32, SMC1, SMD3 SME0, SME6, SNC, STC4, SWA4, SXE4, SXE8, SXU, VA2, VAA1, VAG2, VK2 VKB2, VM2, VPE5, VPX4, VX8, VXE2, VXE8, VXG, VXQ4, VZC2, VZX8	
			-	1	-	1	-	1097147 3802784 HA2, PAE2, QA2, QAA2, QAE2, QNB2, QNE2, QNR2, QTT, QXE4, QXQ4, QXUZ QZA2, QZN2, SXQ4, VC2, VDE2, VKE4, VKX4, VSD4, VWC, VWE, VWT4	
14100-Z5T-920	CAMSHAFT COMP.(LOW NOISE)....		-	1	-	1	-	1103541 ----- QXB7, QXB9, QXE7, QXE9, QZX9, SXB7, VN27, VSD7, VSD9, VWC9, VXB7 VXB9, VXE7, VXE9, VZP9, VZX7	
14100-Z5T-911	CAMSHAFT COMP.(STD.).....		-	1	-	1	-	3802785 ----- EDS6, EDT6, HA2, PAE2, PXM8, QA2, QAA2, QAE2, QAGN, QC9, QCDW, QNB2 QNE2, QNGN, QNR2, QTT, QXE4, QXQ4, QXUZ, QZA2, QZN2, SDQ5, SMES SXQ4, VC2, VCT, VCT2, VDE2, VKE4, VKX4, VSD4, VWC, VWE, VWS1, VWT4 VXT	
14100-Z5T-920	CAMSHAFT COMP.(LOW NOISE)....		-	1	-	-	-	----- QXAC, QZHW, QZRL, VSB9, VZS9	
14100-Z5T-911	CAMSHAFT COMP.(STD.).....		-	-	-	1	1	----- SCMV, SE1C, SE2C, SXS6, VCF, VXF	
14100-Z5T-920	CAMSHAFT COMP.(LOW NOISE)....		-	-	-	1	1	----- 3810641 QXAC, QXB7, QXB9, QXE7, QXE9, QZHW, QZRL, SXB7, VN27, VPP9, VSB9 VSD9, VXB7, VXB9, VXE7, VXE9, VZX7, VZXZ	
14100-Z5T-921		-	-	-	1	1	3810642 ----- QXAC, QXB7, QXB9, QXE7, QXE9, QZHW, QZRL, SXB7, VEP9, VN27, VPE9 VPP9, VPX9, VSB9, VSD9, VXB7, VXB9, VXE7, VXE9, VZX7, VZXZ	
14100-Z5T-920		-	-	-	1	-	1103541 3810641 VEP9, VPE9, VPX9	
14100-Z5T-910	CAMSHAFT COMP.(STD.).....		-	-	-	-	1	----- QZXR	
			-	-	-	-	1	3802784 ----- HA2, LFU, LKE, LX2, LXE4, LXE5, LXE8, LXQ4, LXU, PA2, PAE2, PKT, PXD8 PXE8, PXU, QA2, QA4, QAA2, QAE2, QC1, QC3, QC5, QC6, QC9, QCDW, QCE2 QCWT, QE, QHB4, QK4, QKA4, QMAH, QME0, QNE2, QNR2, QNRV, QWC, QXE4 QXE6, QXE8, QXEM, QXER, QXQ4, QXU, QXUM, QXUZ, QZA2, QZAV, QZD, QZN2 QZNR, SC1, SCC, SCK4, SCM, SCM1, SCM3, SHQ4, SHQ5, SHQ6, SM32, SMC1 SMD3, SME0, SME6, SMX2, STC4, SWA4, SXBG, SXE4, SXEM, SXQ4, VX8 VXE2, VXE8, VZX8	
14100-Z5T-911		-	-	-	-	1	3802785 ----- HA2, LFU, LKE, LX2, LXE4, LXE5, LXE8, LXQ4, LXU, PA2, PAE2, PKT, PXD8 PXE8, PXU, QA2, QA4, QAA2, QAE2, QC1, QC3, QC5, QC6, QC9, QCDW, QCE2 QCWT, QE, QHB4, QK4, QKA4, QMAH, QME0, QNE2, QNR2, QNRV, QWC, QXE4 QXE6, QXE8, QXEM, QXER, QXQ4, QXU, QXUM, QXUZ, QZA2, QZAV, QZD, QZN2 QZNR, SC1, SCC, SCK4, SCM, SCM1, SCM3, SHQ4, SHQ5, SHQ6, SM32, SMC1 SMD3, SME0, SME6, SMX2, STC4, SWA4, SXBG, SXE4, SXEM, SXQ4, VX8 VXE2, VXE8, VZX8	



E-11

RECOIL STARTER(1)



Z5T0E1100B

Ref. L.O.N. (Relative ref. Number) F.R.T.
No. Description

Ref. No.	Part No.	Description	Reqd. QTY					Serial No.	Parts catalogue code
			GX 390 UT1	GX 390 UT2	GX 390 RT1	GX 390 RT2	GX 390 UT2X		
1	28400-ZE3-W01ZD	STARTER ASSY., RECOIL							
		T39.....GEKO BLUE	1	-	1	-	-	VNG1	
	28400-ZE3-W01ZP	*R280*.....POWER RED	1	-	1	-	-	1018250	
								HA2, LXE4, LXE8, LXQ4, LXU, PA2, PAE2, PXD8, PXE8, PXU, QA2, QA26 QAA2, QAA6, QAE2, QAE6, QAW, QDW9, QHB4, QK4, QKA4, QNB2, QNE2, QNE6 QNR2, QNR6, QWA4, QXB7, QXB9, QXC4, QXC9, QXE4, QXE6, QXE8, QXER QXH9, QXQ4, QXS4, QXU, QXUZ, SCK4, SHQ4, SM32, SMC1, SMD3, SME0 SME6, SNC, STC4, SWA4, SXE4, SXE8, SXQ4, SXU, VAA1, VAA8, VAC2, VAG2 VC2, VC2N, VCN2, VD2, VDE2, VEP9, VK2, VKB2, VN27, VNG1, VPE5, VPE9 VPX4, VPX9, VS49, VSD4, VSD7, VSD9, VTH4, VWC9, VWT4, VX8, VXB7 VXB9, VXE6, VXE7, VXE8, VXE9, VXG, VXQ4	
	28400-ZE3-W01ZH	*NH105*....MAT BLACK(#15-#20)	1	-	1	-	-	1599798	
	28400-ZE3-W01ZB	*NH1*.....BLACK	1	-	1	-	-	1601229	
								QWA2, VDE2, VM2, VWC, VWC9, VWE, VXE7, VXE9, VXG PA2, QA2, QAA2, QAE2, QDW9, QNR2, QTT, QWA4, QWC4, QWT2, QXC9, QXS4 SM32, SME6, SWA4, SXU, VC2, VC2N, VKE4, VKX4, VN27, VSD7, VSD9, VXB7 VXB9	
	28400-ZE3-W02ZP	*R280*.....POWER RED	1	-	1	-	-	1018251	
								HA2, LXE4, LXE8, LXQ4, LXU, PA2, PAE2, PXD8, PXE8, PXU, QA2, QA26 QAA2, QAA6, QAE2, QAE6, QAW, QDW9, QHB4, QK4, QKA4, QNB2, QNE2, QNE6 QNR2, QNR6, QWA4, QXB7, QXB9, QXC4, QXC9, QXE4, QXE6, QXE8, QXER QXH9, QXQ4, QXS4, QXU, QXUZ, SCK4, SHQ4, SM32, SMC1, SMD3, SME0 SME6, SNC, STC4, SWA4, SXE4, SXE8, SXQ4, SXU, VAA1, VAA8, VAC2, VAG2 VC2, VC2N, VCN2, VD2, VDE2, VEP9, VK2, VKB2, VN27, VNG1, VPE5, VPE9 VPX4, VPX9, VS49, VSD4, VSD7, VSD9, VTH4, VWC9, VWT4, VX8, VXB7 VXB9, VXE6, VXE7, VXE8, VXE9, VXG, VXQ4	
	28400-ZE3-W02ZH	*NH105*....MAT BLACK(#15-#20)	1	-	1	-	-	1599799	
	28400-ZE3-W02ZB	*NH1*.....BLACK	1	-	1	-	-	1601230	
								QWA2, VDE2, VM2, VWC, VWC9, VWE, VXE7, VXE9, VXG PA2, QA2, QAA2, QAE2, QDW9, QNR2, QTT, QWA4, QWC4, QWT2, QXC9, QXS4 SM32, SME6, SWA4, SXU, VC2, VC2N, VKE4, VKX4, VN27, VSD7, VSD9, VXB7 VXB9	
	28400-ZE3-W01ZP	*R280*.....POWER RED	1	-	-	-	-	-----	
	28400-ZE3-W02ZP	*R280*.....POWER RED	1	-	-	-	-	-----	
	28400-ZE3-W02ZB	*NH1*.....BLACK	1	-	-	-	-	-----	
								LX2, QE, QME0, QNE8, QXC6, QXE7, QXE9, SXB7, SXB9, VA2, VXE2 QA4, QAE4, QME2, QXCQ, QXS2, SHQ2, SMC2, SWA2, VPX2 QAE4, QC2, QXS2, SWA2	

E-11

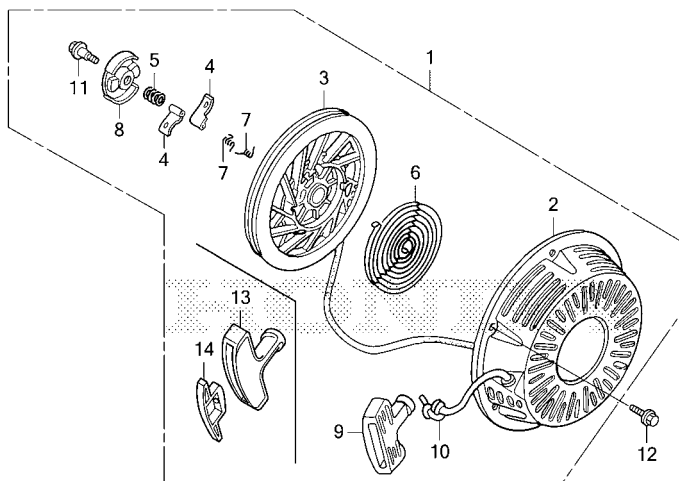
RECOIL STARTER(1)

Ref. No.	Part No.	Description	Reqd. QTY					Serial No.	Parts catalogue code
			GX 390 UT1	GX 390 UT2	GX 390 RT1	GX 390 RT2	GX 390 UT2X		
(1)	28400-ZE3-W01ZB	STARTER ASSY., RECOIL							
		NH1.....BLACK	1	-	-	-	-	QC2	
	28400-ZE3-W01ZH	*NH105*.....MAT BLACK(#15-#20)	1	-	-	-	-	VXE2	
	28400-Z5T-013ZB	*NH1*.....BLACK	-	1	-	1	-	ED6, EDD2, EDS6, EDT6, LFU, LXE5, PKT, PXM8, QAGN, QCDW, QMAH, QWC QXAC, SCM2, SCM3, SMSC, SXEM, SXS6, VCF, VCT, VSB9, VWS, VWS1, VXF VXT	
	28400-Z5T-013ZA	*R280*.....POWER RED	-	1	-	1	-	ED6, EDD2, EDS6, EDT6, LFU, LXE5, PKT, PXM8, QAGN, QCDW, QNGN, QNRV QXEM, QXUM, SCC, SCM2, SDQ5, SHQ6, SMES, VCF, VCT, VKER, VKXR, VPP9 VSB9, VWS, VXF, VXT	
	28400-Z5T-305ZA	STARTER ASSY., RECOIL (FOR U.S.A.)							
		R280.....POWER RED	-	1	-	1	-	ED6, EDD2, EDS6, EDT6, PXM8, QCDW, QNGN, SDQ5, SHQ6, VCT, VPP9, VWS	
	28400-Z5T-305ZB	*NH1*.....BLACK	-	1	-	1	-	ED6, EDD2, EDS6, EDT6, PXM8, QCDW, SCM2, SMSC, SMXC, SXEM, VWS	
	28400-Z5T-003ZA	STARTER ASSY., RECOIL							
		R280.....POWER RED	-	1	-	1	-	1114708 HA2, LX2, LXE4, LXE8, LXQ4, LXU, PA2, PAE2, PXD8, PXE8, PXU, QA2 QA26, QA4, QAA2, QAA6, QAE2, QAE4, QAE6, QDW9, QE, QHB4, QK4, QKA4 QME0, QNB2, QNE2, QNE8, QNR2, QNR6, QWA4, QXB7, QXB9, QXC4, QXC6 QXC9, QXCU, QXE4, QXE6, QXE7, QXE8, QXE9, QXER, QXQ4, QXS4, QXU QXUZ, SCK4, SHQ4, SHQ5, SM32, SMC1, SMD3, SME0, SME6, SNC, STC4 SWA4, SXB7, SXE4, SXE8, SXQ4, SXU, VA2, VAA1, VAG2, VC2, VDE2, VEP9 VK2, VKB2, VN27, VPE5, VPE9, VPX4, VPX9, VSD4, VSD7, VSD9, VWC9 VWT4, VX8, VXB7, VXB9, VXE2, VXE7, VXE8, VXE9, VVG, VXQ4	
	28400-Z5T-003ZB	*NH1*.....BLACK	-	1	-	1	-	1114708 PA2, QA2, QAA2, QAE2, QAE4, QC2, QDW9, QNR2, QTT, QWA2, QWA4, QWC4 QWT2, QXC9, QXS4, SHQ5, SM32, SME6, SWA4, SXU, VAG2, VC2, VDE2, VKE4 VKX4, VM2, VN27, VSD7, VSD9, VWC, VWC9, VWE, VXB7, VXB9, VXE2, VXE7 VXE9, VVG	
	28400-Z5T-305ZA	STARTER ASSY., RECOIL (FOR U.S.A.)							
		R280.....POWER RED	-	1	-	1	-	2999999 QC1, QC3, QC4, QC5, QC9, QCWT, SC1, SCM1, SMX2, VCT2	
	28400-Z5T-013ZA	STARTER ASSY., RECOIL							
		R280.....POWER RED	-	1	-	1	-	1114709 HA2, LX2, LXE4, LXE8, LXQ4, LXU, PA2, PAE2, PXD8, PXE8, PXU, QA2 QA26, QA4, QAA2, QAA6, QAE2, QAE4, QAE6, QDW9, QE, QHB4, QK4, QKA4 QME0, QNB2, QNE2, QNE8, QNR2, QNR6, QTT, QWA4, QXB7, QXB9, QXC4 QXC6, QXC9, QXCU, QXE4, QXE6, QXE7, QXE8, QXE9, QXER, QXQ4, QXS4 QXU, QXUZ, SCK4, SHQ4, SHQ5, SM32, SMC1, SMD3, SME0, SME6, SNC, STC4 SWA4, SXB7, SXE4, SXE8, SXQ4, SXU, VA2, VAA1, VAG2, VC2, VDE2, VEP9 VK2, VKB2, VKE4, VKX4, VN27, VPE5, VPE9, VPX4, VPX9, VSD4, VSD7 VSD9, VWC, VWC9, VWE, VWT4, VX8, VXB7, VXB9, VXE2, VXE7, VXE8, VXE9 VVG, VXQ4	
	28400-Z5T-013ZB	*NH1*.....BLACK	-	1	-	1	-	1114709 PA2, QA2, QA4, QAA2, QAE2, QAE4, QC2, QDW9, QNR2, QTT, QWA2, QWA4 QWC4, QWT2, QXC9, QXS4, SHQ5, SM32, SME6, SWA4, SXE4, SXU, VAG2, VC2 VDE2, VKE4, VKX4, VM2, VN27, VSD7, VSD9, VWC, VWC9, VWE, VX8, VXB7 VXB9, VXE2, VXE7, VXE8, VXE9, VVG	
	28400-Z5T-013ZA	*R280*.....POWER RED	-	1	-	1	-	3000001 QC1, QC3, QC4, QC5, QC9, QCWT, SC1, SCM1, SMX2, VCT2	
	28400-Z5T-013ZB	*NH1*.....BLACK	-	1	-	1	-	3000001 QC4, QC5, QC6, QC9, QCE2, QCWT, SCM, SCM1, SMX2, VCT2	
	28400-Z5T-003ZC	*NH105*.....MAT BLACK(#15-#20)	-	1	-	-	-	1114708 VXE2	
	28400-Z5T-305ZB	STARTER ASSY., RECOIL (FOR U.S.A.)							
		NH1.....BLACK	-	1	-	-	-	2999999 QC4, QC5, QC6, QC9, QCE2, QCWT, SCM, SCM1, SMX2	
	28400-Z5T-013ZB	STARTER ASSY., RECOIL							
		NH1.....BLACK	-	1	-	-	-	3500927 SXBG	
	28400-Z5T-N51ZA	*NH1*.....BLACK	-	1	-	-	-	3500928 SXBG	
	28400-Z5T-N51ZB	*R280*.....POWER RED	-	1	-	-	-	3500928 SXBG	



E-11

RECOIL STARTER(1)



Z5T0E1100B

Ref. No.	Part No.	Description	Reqd. QTY					Serial No.	Parts catalogue code
			GX 390 UT1	GX 390 UT2	GX 390 RT1	GX 390 RT2	GX 390 UT2X		
(1)	28400-Z5T-013ZA	STARTER ASSY., RECOIL *R280*.....POWER RED	-	-	-	-	1	-----	HA2, LFU, LX2, LXE4, LXE5, LXE8, LXQ4, LXU, PA2, PAE2, PKT, PXD8, PXE8, PXU, QA2, QA4, QAA2, QAE2, QC1, QC3, QC5, QC9, QCDW, QCWT, QE, QHB4, QK4, QKA4, QME0, QNE2, QNR2, QNRV, QXB7, QXB9, QXE4, QXE6, QXE7, QXE8, QXE9, QXEM, QXER, QXQ4, QXU, QXUM, QXUZ, SC1, SCC, SCK4, SCM1, SE1C, SE2C, SHQ4, SHQ5, SHQ6, SM32, SMC1, SMD3, SME0, SME6, SMX2, STC4, SWA4, SXB7, SXE4, SXQ4, VN27, VSB9, VSD9, VX8, VXB7, VXB9, VXE2, VXE7, VXE8, VXE9
	28400-Z5T-013ZB	*NH1*.....BLACK	-	-	-	-	1	-----	LFU, LXE5, PA2, PKT, QA2, QA4, QAA2, QAE2, QC5, QC6, QC9, QCDW, QCE2, QCWT, QMAH, QNR2, QWC, QXAC, QXQ4, SCM, SCM1, SCM3, SCMV, SE1C, SE2C, SHQ5, SM32, SME6, SMX2, SWA4, SXE4, SXEM, SXQ4, VN27, VSB9, VSD9, VX8, VXB7, VXB9, VXE2, VXE7, VXE8, VXE9
	28400-Z5T-N51ZA	*NH1*.....BLACK	-	-	-	-	1	-----	SXBG
	28400-Z5T-N51ZB	*R280*.....POWER RED	-	-	-	-	1	-----	SXBG
2	28410-ZE3-W01ZP	CASE COMP., RECOIL STARTER *R280*.....POWER RED	1	1	1	-	1	-----	HA2, LFU, LX2, LXE4, LXE5, LXE8, LXQ4, LXU, PA2, PAE2, PKT, PXD8, PXE8, PXU, QA2, QA26, QA4, QAA2, QAA6, QAE2, QAE4, QAE6, QAW, QC1, QC3, QC4, QC5, QC9, QCDW, QCWT, QDW9, QE, QHB4, QK4, QKA4, QME0, QME2, QNB2, QNE2, QNE6, QNE8, QNR2, QNR6, QNRV, QWA4, QXB7, QXB9, QXC4, QXC6, QXC9, QXCU, QXE4, QXE6, QXE7, QXE8, QXE9, QXEM, QXER, QXH9, QXQ4, QXS2, QXS4, QXU, QXUM, QXUZ, SC1, SCC, SCK4, SCM1, SCM2, SE1C, SE2C, SHQ2, SHQ4, SHQ5, SHQ6, SM32, SMC1, SMC2, SMD3, SME0, SME6, SMX2, SNC, STC4, SWA2, SWA4, SXB7, SXB9, SXBG, SXE4, SXE8, SXQ4, SXU, VA2, VAA1, VAA8, VAC2, VAG2, VC2, VC2N, VCN2, VD2, VDE2, VEP9, VK2, VKB2, VN27, VNG1, VPE5, VPE9, VPX2, VPX4, VPX9, VS49, VSB9, VSD4, VSD7, VSD9, VTH4, VWC9, VWT4, VX8, VXB7, VXB9, VXE2, VXE6, VXE7, VXE8, VXE9, VXG, VXQ4

E-11

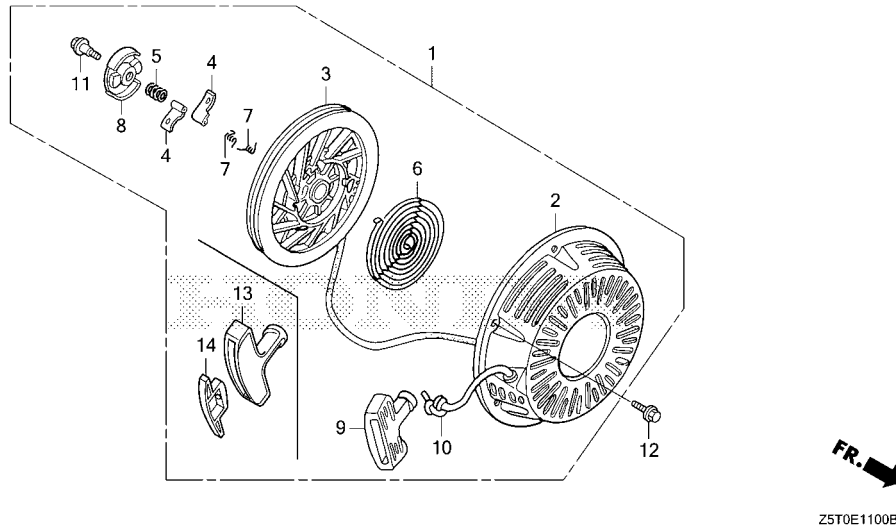
RECOIL STARTER(1)

Ref. No.	Part No.	Description	Reqd. QTY					Serial No.	Parts catalogue code	
			GX 390 UT1	GX 390 UT2	GX 390 RT1	GX 390 RT2	GX 390 UT2X			
(2)	28410-ZE3-W01ZB	CASE COMP., RECOIL STARTER *NH1*.....BLACK	1	-	1	-	-	-----	-----	PA2, QA2, QAA2, QAE2, QAE4, QC2, QDW9, QNR2, QTT, QWA4, QWC4, QWT2 QXC9, QXS2, QXS4, SM32, SME6, SWA2, SWA4, SXU, VC2, VC2N, VKE4, VKX4 VN27, VSD7, VSD9, VXB7, VXB9
	28410-ZE3-W01ZH	*NH105*....MAT BLACK(#15-#20)	1	-	1	-	-	-----	-----	QWA2, VDE2, VM2, VWC, VWC9, VWE, VXE2, VXE7, VXE9, VXG VNG1
	28410-ZE3-W01ZE	*T39*.....GEKO BLUE	1	-	1	-	-	-----	-----	
	28410-ZE3-W01ZB	*NH1*.....BLACK	-	1	-	-	-	-----	-----	LFU, LXE5, PA2, PKT, QA2, QA4, QAA2, QAE2, QAE4, QC2, QC4, QC5, QC6 QC9, QCDW, QCE2, QCWT, QDW9, QMAH, QNR2, QWA4, QWC, QWC4, QWT2, QXAC QXC9, QXS4, SCM, SCM1, SCM2, SCM3, SHQ5, SM32, SME6, SMSC, SMX2 SMXC, SWA4, SXBG, SXE4, SXEM, SXU, VM2, VN27, VSB9, VSD7, VSD9, VX8 VXB7, VXB9, VXE2, VXE7, VXE8, VXE9
	28410-ZE3-W01ZP	*R280*.....POWER RED	-	-	-	1	-	-----	-----	ED6, EDD2, EDS6, EDT6, PXM8, QAGN, QNB2, QNGN, QTT, SDQ5, SMES, VAA1 VAG2, VC2, VCF, VCT, VCT2, VDE2, VEP9, VK2, VKB2, VKE4, VKER, VKX4 VKXR, VPE5, VPE9, VPP9, VPX4, VPX9, VSD4, VWC, VWC9, VWE, VWS, VWT4 VXF, VXG, VXT
	28410-ZE3-W01ZB	*NH1*.....BLACK	-	-	-	1	-	-----	-----	ED6, EDD2, EDS6, EDT6, PXM8, QAGN, QTT, QWA2, SXS6, VAG2, VC2, VCF VCT, VCT2, VDE2, VKE4, VKX4, VWC, VWC9, VWE, VWS, VWS1, VXF, VXG, VXT
			-	-	-	-	1	-----	-----	LFU, LXE5, PA2, PKT, QA2, QA4, QAA2, QAE2, QC5, QC6, QC9, QCDW, QCE2 QCWT, QMAH, QNR2, QWC, QXAC, QXQ4, SCM, SCM1, SCM3, SCMV, SE1C, SE2C SHQ5, SM32, SME6, SMX2, SWA4, SXBG, SXE4, SXEM, SXQ4, VN27, VSB9 VSD9, VX8, VXB7, VXB9, VXE2, VXE7, VXE8, VXE9
3	28421-ZE3-W01	PULLEY, RECOIL STARTER.....	1	1	1	1	1	-----	-----	ED6, EDD2, EDS6, EDT6, HA2, LFU, LX2, LXE4, LXE5, LXE8, LXQ4, LXU PA2, PAE2, PKT, PXD8, PXE8, PXM8, PXU, QA2, QA26, QA4, QAA2, QAA6 QAE2, QAE4, QAE6, QAGN, QAW, QC1, QC2, QC3, QC4, QC5, QC6, QC9, QCDW QCE2, QCWT, QDW9, QE, QHB4, QK4, QKA4, QMAH, QME0, QME2, QNB2, QNE2 QNE6, QNE8, QNGN, QNR2, QNR6, QNRV, QTT, QWA2, QWA4, QWC, QWC4, QWT2 QXAC, QXB7, QXB9, QXC4, QXC6, QXC9, QXCU, QXE4, QXE6, QXE7, QXE8 QXE9, QXEM, QXER, QXH9, QXQ4, QXS2, QXS4, QXU, QXUM, QXUZ, SC1, SCC SCK4, SCM, SCM1, SCM2, SCM3, SCMV, SDQ5, SE1C, SE2C, SHQ2, SHQ4 SHQ5, SHQ6, SM32, SMC1, SMC2, SMD3, SME0, SME6, SMES, SMSC, SMX2 SMXC, SNC, STC4, SWA2, SWA4, SXB7, SXB9, SXBG, SXE4, SXE8, SXEM SXQ4, SXS6, SXU, VA2, VAA1, VAA8, VAC2, VAG2, VC2, VC2N, VCF, VCN2 VCT, VCT2, VD2, VDE2, VEP9, VK2, VKB2, VKE4, VKER, VKX4, VKXR, VM2 VN27, VNG1, VPE5, VPE9, VPP9, VPX2, VPX4, VPX9, VS49, VSB9, VSD4 VSD7, VSD9, VTH4, VWC, VWC9, VWE, VWS, VWS1, VWT4, VX8, VXB7, VXB9 VXE2, VXE6, VXE7, VXE8, VXE9, VXF, VXG, VXQ4, VXT
4	28422-ZE2-W01	RATCHET, STARTER.....	2	2	2	2	2	-----	-----	ED6, EDD2, EDS6, EDT6, HA2, LFU, LX2, LXE4, LXE5, LXE8, LXQ4, LXU PA2, PAE2, PKT, PXD8, PXE8, PXM8, PXU, QA2, QA26, QA4, QAA2, QAA6 QAE2, QAE4, QAE6, QAGN, QAW, QC1, QC2, QC3, QC4, QC5, QC6, QC9, QCDW QCE2, QCWT, QDW9, QE, QHB4, QK4, QKA4, QMAH, QME0, QME2, QNB2, QNE2 QNE6, QNE8, QNGN, QNR2, QNR6, QNRV, QTT, QWA2, QWA4, QWC, QWC4, QWT2 QXAC, QXB7, QXB9, QXC4, QXC6, QXC9, QXCU, QXE4, QXE6, QXE7, QXE8 QXE9, QXEM, QXER, QXH9, QXQ4, QXS2, QXS4, QXU, QXUM, QXUZ, SC1, SCC SCK4, SCM, SCM1, SCM2, SCM3, SCMV, SDQ5, SE1C, SE2C, SHQ2, SHQ4 SHQ5, SHQ6, SM32, SMC1, SMC2, SMD3, SME0, SME6, SMES, SMSC, SMX2 SMXC, SNC, STC4, SWA2, SWA4, SXB7, SXB9, SXBG, SXE4, SXE8, SXEM SXQ4, SXS6, SXU, VA2, VAA1, VAA8, VAC2, VAG2, VC2, VC2N, VCF, VCN2 VCT, VCT2, VD2, VDE2, VEP9, VK2, VKB2, VKE4, VKER, VKX4, VKXR, VM2 VN27, VNG1, VPE5, VPE9, VPP9, VPX2, VPX4, VPX9, VS49, VSB9, VSD4 VSD7, VSD9, VTH4, VWC, VWC9, VWE, VWS, VWS1, VWT4, VX8, VXB7, VXB9 VXE2, VXE6, VXE7, VXE8, VXE9, VXF, VXG, VXQ4, VXT



E-11

RECOIL STARTER(1)



Z5T0E1100B

Ref. No.	Part No.	Description	Reqd. QTY					Serial No.	Parts catalogue code
			GX 390 UT1	GX 390 UT2	GX 390 RT1	GX 390 RT2	GX 390 UT2X		
5	28441-ZE2-W01	SPRING, FRICTION.....	1	1	1	1	1	-----	ED6, EDD2, EDS6, EDT6, HA2, LFU, LX2, LXE4, LXE5, LXE8, LXQ4, LXU PA2, PAE2, PKT, PXD8, PXE8, PXM8, PXU, QA2, QA26, QA4, QAA2, QAA6 QAE2, QAE4, QAE6, QAGN, QAW, QC1, QC2, QC3, QC4, QC5, QC6, QC9, QCDW QCE2, QCWT, QDW9, QE, QHB4, QK4, QKA4, QMAH, QME0, QME2, QNB2, QNE2 QNE6, QNE8, QNGN, QNR2, QNR6, QNRV, QTT, QWA2, QWA4, QWC, QWC4, QWT2 QXAC, QXB7, QXB9, QXC4, QXC6, QXC9, QXCu, QXE4, QXE6, QXE7, QXE8 QXE9, QXEM, QXER, QXH9, QXQ4, QXS2, QXS4, QXU, QXUM, QXUZ, SC1, SCC SCK4, SCM, SCM1, SCM2, SCM3, SCMV, SDQ5, SE1C, SE2C, SHQ2, SHQ4 SHQ5, SHQ6, SM32, SMC1, SMC2, SMD3, SME0, SME6, SMES, SMSC, SMX2 SMXC, SNC, STC4, SWA2, SWA4, SXB7, SXB9, SXBG, SXE4, SXE8, SXEM SXQ4, SXS6, SXU, VA2, VAA1, VAA8, VAC2, VAG2, VC2, VC2N, VCF, VCN2 VCT, VCT2, VD2, VDE2, VEP9, VK2, VKB2, VKE4, VKER, VKX4, VKXR, VM2 VN27, VNG1, VPE5, VPE9, VPP9, VPX2, VPX4, VPX9, VS49, VSB9, VSD4 VSD7, VSD9, VTH4, VWC, VWC9, VWE, VWS, VWS1, VWT4, VX8, VXB7, VXB9 VXE2, VXE6, VXE7, VXE8, VXE9, VXF, VXG, VXQ4, VXT

E-11

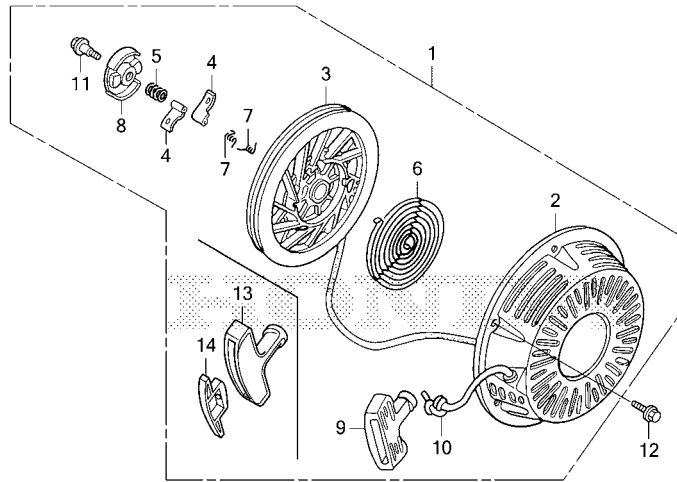
RECOIL STARTER(1)

Ref. No.	Part No.	Description	Reqd. QTY					Serial No.	Parts catalogue code
			GX 390 UT1	GX 390 UT2	GX 390 RT1	GX 390 RT2	GX 390 UT2X		
6	28442-ZE2-W01	SPRING, STARTER RETURN.....	1	1	1	1	1	-----	ED6, EDD2, EDS6, EDT6, HA2, LFU, LX2, LXE4, LXE5, LXE8, LXQ4, LXU PA2, PAE2, PKT, PXD8, PXE8, PXM8, PXU, QA2, QA26, QA4, QAA2, QAA6 QAE2, QAE4, QAE6, QAGN, QAW, QC1, QC2, QC3, QC4, QC5, QC6, QC9, QCDW QCE2, QCWT, QDW9, QE, QHB4, QK4, QKA4, QMAH, QME0, QME2, QNB2, QNE2 QNE6, QNE8, QNGN, QNR2, QNR6, QNRV, QTT, QWA2, QWA4, QWC, QWC4, QWT2 QXAC, QXB7, QXB9, QXC4, QXC6, QXC9, QXCU, QXE4, QXE6, QXE7, QXE8 QXE9, QXEM, QXER, QXH9, QXQ4, QXS2, QXS4, QXU, QXUM, QXUZ, SC1, SCC SCK4, SCM, SCM1, SCM2, SCM3, SCMV, SDQ5, SE1C, SE2C, SHQ2, SHQ4 SHQ5, SHQ6, SM32, SMC1, SMC2, SMD3, SME0, SME6, SMES, SMSC, SMX2 SMXC, SNC, STC4, SWA2, SWA4, SXB7, SXB9, SXBG, SXE4, SXE8, SXEM SXQ4, SXS6, SXU, VA2, VAA1, VAA8, VAC2, VAG2, VC2, VC2N, VCF, VCN2 VCT, VCT2, VD2, VDE2, VEP9, VK2, VKB2, VKE4, VKER, VKX4, VKXR, VM2 VN27, VNG1, VPE5, VPE9, VPP9, VPX2, VPX4, VPX9, VS49, VSB9, VSD4 VSD7, VSD9, VTH4, VWC, VWC9, VWE, VWS, VWS1, VWT4, VX8, VXB7, VXB9 VXE2, VXE6, VXE7, VXE8, VXE9, VXF, VXG, VXQ4, VXT
7	28443-ZE2-W01	SPRING, RATCHET.....	2	2	2	2	2	-----	ED6, EDD2, EDS6, EDT6, HA2, LFU, LX2, LXE4, LXE5, LXE8, LXQ4, LXU PA2, PAE2, PKT, PXD8, PXE8, PXM8, PXU, QA2, QA26, QA4, QAA2, QAA6 QAE2, QAE4, QAE6, QAGN, QAW, QC1, QC2, QC3, QC4, QC5, QC6, QC9, QCDW QCE2, QCWT, QDW9, QE, QHB4, QK4, QKA4, QMAH, QME0, QME2, QNB2, QNE2 QNE6, QNE8, QNGN, QNR2, QNR6, QNRV, QTT, QWA2, QWA4, QWC, QWC4, QWT2 QXAC, QXB7, QXB9, QXC4, QXC6, QXC9, QXCU, QXE4, QXE6, QXE7, QXE8 QXE9, QXEM, QXER, QXH9, QXQ4, QXS2, QXS4, QXU, QXUM, QXUZ, SC1, SCC SCK4, SCM, SCM1, SCM2, SCM3, SCMV, SDQ5, SE1C, SE2C, SHQ2, SHQ4 SHQ5, SHQ6, SM32, SMC1, SMC2, SMD3, SME0, SME6, SMES, SMSC, SMX2 SMXC, SNC, STC4, SWA2, SWA4, SXB7, SXB9, SXBG, SXE4, SXE8, SXEM SXQ4, SXS6, SXU, VA2, VAA1, VAA8, VAC2, VAG2, VC2, VC2N, VCF, VCN2 VCT, VCT2, VD2, VDE2, VEP9, VK2, VKB2, VKE4, VKER, VKX4, VKXR, VM2 VN27, VNG1, VPE5, VPE9, VPP9, VPX2, VPX4, VPX9, VS49, VSB9, VSD4 VSD7, VSD9, VTH4, VWC, VWC9, VWE, VWS, VWS1, VWT4, VX8, VXB7, VXB9 VXE2, VXE6, VXE7, VXE8, VXE9, VXF, VXG, VXQ4, VXT
8	28444-ZE2-W01	RETAINER, SPRING.....	1	1	1	1	1	-----	ED6, EDD2, EDS6, EDT6, HA2, LFU, LX2, LXE4, LXE5, LXE8, LXQ4, LXU PA2, PAE2, PKT, PXD8, PXE8, PXM8, PXU, QA2, QA26, QA4, QAA2, QAA6 QAE2, QAE4, QAE6, QAGN, QAW, QC1, QC2, QC3, QC4, QC5, QC6, QC9, QCDW QCE2, QCWT, QDW9, QE, QHB4, QK4, QKA4, QMAH, QME0, QME2, QNB2, QNE2 QNE6, QNE8, QNGN, QNR2, QNR6, QNRV, QTT, QWA2, QWA4, QWC, QWC4, QWT2 QXAC, QXB7, QXB9, QXC4, QXC6, QXC9, QXCU, QXE4, QXE6, QXE7, QXE8 QXE9, QXEM, QXER, QXH9, QXQ4, QXS2, QXS4, QXU, QXUM, QXUZ, SC1, SCC SCK4, SCM, SCM1, SCM2, SCM3, SCMV, SDQ5, SE1C, SE2C, SHQ2, SHQ4 SHQ5, SHQ6, SM32, SMC1, SMC2, SMD3, SME0, SME6, SMES, SMSC, SMX2 SMXC, SNC, STC4, SWA2, SWA4, SXB7, SXB9, SXBG, SXE4, SXE8, SXEM SXQ4, SXS6, SXU, VA2, VAA1, VAA8, VAC2, VAG2, VC2, VC2N, VCF, VCN2 VCT, VCT2, VD2, VDE2, VEP9, VK2, VKB2, VKE4, VKER, VKX4, VKXR, VM2 VN27, VNG1, VPE5, VPE9, VPP9, VPX2, VPX4, VPX9, VS49, VSB9, VSD4 VSD7, VSD9, VTH4, VWC, VWC9, VWE, VWS, VWS1, VWT4, VX8, VXB7, VXB9 VXE2, VXE6, VXE7, VXE8, VXE9, VXF, VXG, VXQ4, VXT
9	28461-ZE2-W02	GRIP, STARTER.....	1	-	1	-	-	-----	1018250 HA2, LX2, LXE4, LXE8, LXQ4, LXU, PA2, PAE2, PXD8, PXE8, PXU, QA2 QA26, QAA2, QAA6, QAE2, QAE6, QAW, QC2, QDW9, QE, QHB4, QK4, QKA4 QME0, QNB2, QNE2, QNE6, QNE8, QNR2, QNR6, QTT, QWA2, QWA4, QWC4 QWT2, QXB7, QXB9, QXC4, QXC6, QXC9, QXE4, QXE6, QXE7, QXE8, QXE9 QXER, QXH9, QXQ4, QXS4, QXU, QXUZ, SCK4, SHQ4, SM32, SMC1, SMD3 SME0, SME6, SNC, STC4, SWA4, SXB7, SXB9, SXE4, SXE8, SXQ4, SXU, VA2 VAA1, VAA8, VAC2, VAG2, VC2, VC2N, VCN2, VD2, VDE2, VEP9, VK2, VKB2 VKE4, VKX4, VM2, VN27, VNG1, VPE5, VPE9, VPX4, VPX9, VS49, VSD4 VSD7, VSD9, VTH4, VWC, VWC9, VWE, VWT4, VX8, VXB7, VXB9, VXE2, VXE6 VXE7, VXE8, VXE9, VXG, VXQ4



E-11

RECOIL STARTER(1)



Z5T0E1100B

Ref. No.	Part No.	Description	Reqd. QTY					Serial No.	Parts catalogue code	
			GX 390 UT1	GX 390 UT2	GX 390 RT1	GX 390 RT2	GX 390 UT2X			
(9)	28461-ZE2-W03	GRIP, STARTER	1	-	1	-	-	1018251	HA2, LX2, LXE4, LXE8, LXQ4, LXU, PA2, PAE2, PXD8, PXE8, PXU, QA2, QA26, QAA2, QAA6, QAE2, QAE6, QAW, QC2, QDW9, QE, QHB4, QK4, QKA4, QME0, QNB2, QNE2, QNE6, QNE8, QNR2, QNR6, QTT, QWA2, QWA4, QWC4, QWT2, QXB7, QXB9, QXC4, QXC6, QXC9, QXE4, QXE6, QXE7, QXE8, QXE9, QXER, QXH9, QXQ4, QXS4, QXU, QXUZ, SCK4, SHQ4, SM32, SMC1, SMD3, SME0, SME6, SNC, STC4, SWA4, SXB7, SXB9, SXE4, SXE8, SXQ4, SXU, VAA1, VAA8, VAC2, VAG2, VC2, VC2N, VCN2, VD2, VDE2, VEP9, VK2, VKB2, VKE4, VKX4, VM2, VN27, VNG1, VPE5, VPE9, VPX4, VPX9, VS49, VSD4, VSD7, VSD9, VTH4, VWC, VWC9, VWE, VWT4, VX8, VXB7, VXB9, VXE2, VXE6, VXE7, VXE8, VXE9, VXG, VXQ4	
10	28462-ZE3-W01	ROPE, RECOIL STARTER	1	1	1	1	1	-----	QA4, QAE4, QME2, QXCU, QXS2, SHQ2, SMC2, SWA2, VPX2, ED6, EDD2, EDS6, EDT6, HA2, LFU, LX2, LXE4, LXE5, LXE8, LXQ4, LXU, PA2, PAE2, PKT, PXD8, PXE8, PXM8, PXU, QA2, QA26, QA4, QAA2, QAA6, QAE2, QAE4, QAE6, QAGN, QAW, QC1, QC2, QC3, QC4, QC5, QC6, QC9, QCDW, QCE2, QCWT, QDW9, QE, QHB4, QK4, QKA4, QMAH, QME0, QME2, QNB2, QNE2, QNE6, QNE8, QNGN, QNR2, QNR6, QNRV, QTT, QWA2, QWA4, QWC, QWC4, QWT2, QXAC, QXB7, QXB9, QXC4, QXC6, QXC9, QXCU, QXE4, QXE6, QXE7, QXE8, QXE9, QXEM, QXER, QXH9, QXQ4, QXS2, QXS4, QXU, QXUM, QXUZ, SC1, SCC, SCK4, SCM, SCM1, SCM2, SCM3, SCMV, SDQ5, SE1C, SE2C, SHQ2, SHQ4, SHQ5, SHQ6, SM32, SMC1, SMC2, SMD3, SME0, SME6, SMES, SMSC, SMX2, SMXC, SNC, STC4, SWA2, SWA4, SXB7, SXB9, SXE4, SXE8, SXEM, SXQ4, SXS6, SXU, VA2, VAA1, VAA8, VAC2, VAG2, VC2, VC2N, VCF, VCN2, VCT, VCT2, VD2, VDE2, VEP9, VK2, VKB2, VKE4, VKER, VKX4, VKXR, VM2, VN27, VNG1, VPE5, VPE9, VPP9, VPX2, VPX4, VPX9, VS49, VSB9, VSD4, VSD7, VSD9, VTH4, VWC, VWC9, VWE, VWS, VWS1, VWT4, VX8, VXB7, VXB9, VXE2, VXE6, VXE7, VXE8, VXE9, VXF, VXG, VXQ4, VXT	
	28462-Z5T-N51	-	1	-	-	-	-----	3500927	SXBG
			-	1	-	-	-	-----	3500928	SXBG
			-	-	-	-	1	-----	-----	SXBG

E-11

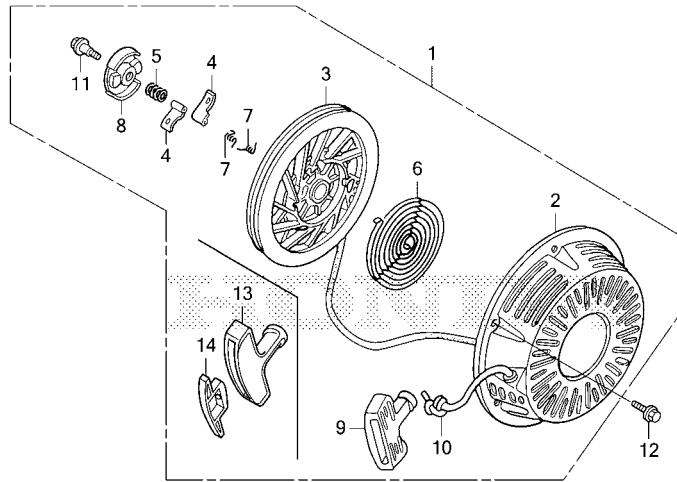
RECOIL STARTER(1)

Ref. No.	Part No.	Description	Reqd. QTY					Serial No.	Parts catalogue code
			GX 390 UT1	GX 390 UT2	GX 390 RT1	GX 390 RT2	GX 390 UT2X		
11	90004-ZE2-W01	SCREW, CENTER	1	1	1	1	1	-----	ED6, EDD2, EDS6, EDT6, HA2, LFU, LX2, LXE4, LXE5, LXE8, LXQ4, LXU PA2, PAE2, PKT, PXD8, PXE8, PXM8, PXU, QA2, QA26, QA4, QAA2, QAA6 QAE2, QAE4, QAE6, QAGN, QAW, QC1, QC2, QC3, QC4, QC5, QC9, QCDW QCE2, QCWT, QDW9, QE, QHB4, QK4, QKA4, QMAH, QME0, QME2, QNB2, QNE2 QNE6, QNE8, QNGN, QNR2, QNR6, QNRV, QTT, QWA2, QWA4, QWC, QWC4, QWT2 QXAC, QXB7, QXB9, QXC4, QXC6, QXC9, QXCU, QXE4, QXE6, QXE7, QXE8 QXE9, QXEM, QXER, QXH9, QXQ4, QXS2, QXS4, QXU, QXUM, QXUZ, SC1, SCC SCK4, SCM, SCM1, SCM2, SCM3, SCMV, SDQ5, SE1C, SE2C, SHQ2, SHQ4 SHQ5, SHQ6, SM32, SMC1, SMC2, SMD3, SME0, SME6, SMES, SMSC, SMX2 SMXC, SNC, STC4, SWA2, SWA4, SXB7, SXB9, SXBG, SXE4, SXE8, SXEM SXQ4, SXS6, SXU, VA2, VAA1, VAA8, VAC2, VAG2, VC2, VC2N, VCF, VCN2 VCT, VCT2, VD2, VDE2, VEP9, VK2, VKB2, VKE4, VKER, VKX4, VKXR, VM2 VN27, VNG1, VPE5, VPE9, VPP9, VPX2, VPX4, VPX9, VS49, VSB9, VSD4 VSD7, VSD9, VTH4, VWC, VWC9, VWE, VWS, VWS1, VWT4, VX8, VXB7, VXB9 VXE2, VXE6, VXE7, VXE8, VXE9, VXF, VXG, VXQ4, VXT
12	90008-ZE2-003	BOLT, FLANGE, 6X10	3	-	3	-	-	-----	HA2, LX2, LXE4, LXE8, LXQ4, LXU, PA2, PAE2, PXD8, PXE8, PXU, QA2 QA26, QA4, QAA2, QAA6, QAE2, QAE4, QAE6, QAW, QC2, QDW9, QE, QHB4 QK4, QKA4, QME0, QME2, QNB2, QNE2, QNE6, QNE8, QNR2, QNR6, QTT, QWA2 QWA4, QWC4, QWT2, QXB7, QXB9, QXC4, QXC6, QXC9, QXCU, QXE4, QXE6 QXE7, QXE8, QXE9, QXER, QXH9, QXQ4, QXS2, QXS4, QXU, QXUZ, SCK4 SHQ2, SHQ4, SM32, SMC1, SMC2, SMD3, SME0, SME6, SNC, STC4, SWA2 SWA4, SXB7, SXB9, SXE4, SXE8, SXQ4, SXU, VA2, VAA1, VAA8, VAC2, VAG2 VC2, VC2N, VCN2, VD2, VDE2, VEP9, VK2, VKB2, VKE4, VKX4, VM2, VN27 VNG1, VPE5, VPE9, VPX2, VPX4, VPX9, VS49, VSD4, VSD7, VSD9, VTH4 VWC, VWC9, VWE, VWT4, VX8, VXB7, VXB9, VXE2, VXE6, VXE7, VXE8, VXE9 VXG, VXQ4
	95701-06010-00	-	3	-	3	3	-----	HA2, LFU, LX2, LXE4, LXE5, LXE8, LXQ4, LXU, PA2, PAE2, PKT, PXD8 PXE8, PXU, QA2, QA4, QAA2, QAE2, QAGN, QC1, QC2, QC3, QC4, QC5, QC6 QC9, QCDW, QCE2, QCWT, QDW9, QE, QHB4, QK4, QKA4, QMAH, QME0, QNE2 QNGN, QNR2, QNRV, QWA4, QWC, QWC4, QWT2, QXAC, QXB7, QXB9, QXC4 QXC6, QXC9, QXCU, QXE4, QXE6, QXE7, QXE8, QXE9, QXEM, QXER, QXQ4 QXS4, QXU, QXUM, QXUZ, SC1, SCC, SCK4, SCM, SCM1, SCM2, SCM3, SCMV SE1C, SE2C, SHQ4, SHQ5, SHQ6, SM32, SMC1, SMD3, SME0, SME6, SMES SMSC, SMX2, SMXC, SNC, STC4, SWA4, SXB7, SXBG, SXE4, SXE8, SXEM SXQ4, SXS6, SXU, VCF, VM2, VN27, VPP9, VSB9, VSD9, VWS1, VX8, VXB7 VXB9, VXE2, VXE7, VXE8, VXE9, VXF, VXT
	90008-ZE2-003	-	3	-	-	-	1426404	HA2, LX2, LXE4, LXE8, LXQ4, LXU, PA2, PAE2, PXD8, PXE8, PXU, QA2 QA26, QA4, QAA2, QAA6, QAE2, QAE4, QAE6, QC2, QDW9, QE, QHB4, QK4 QKA4, QME0, QNE2, QNE8, QNR2, QNR6, QWA4, QWC, QWC4, QWT2, QXB7 QXB9, QXC4, QXC6, QXC9, QXCU, QXE4, QXE6, QXE7, QXE8, QXE9, QXEM QXER, QXQ4, QXS4, QXU, QXUM, QXUZ, SCK4, SHQ4, SHQ5, SM32, SMC1 SMD3, SME0, SME6, SMX2, SNC, STC4, SWA4, SXB7, SXE4, SXE8, SXQ4, SXU VA2, VM2, VN27, VSD7, VSD9, VX8, VXB7, VXB9, VXE2, VXE7, VXE8, VXE9 VXQ4
	95701-06010-00	-	3	-	-	-	1453872	PKT
		-	3	-	-	-	1426405	HA2, LX2, LXE4, LXE8, LXQ4, LXU, PA2, PAE2, PXD8, PXE8, PXU, QA2 QA26, QA4, QAA2, QAA6, QAE2, QAE4, QAE6, QC2, QDW9, QE, QHB4, QK4 QKA4, QME0, QNE2, QNE8, QNR2, QNR6, QWA4, QWC, QWC4, QWT2, QXB7 QXB9, QXC4, QXC6, QXC9, QXCU, QXE4, QXE6, QXE7, QXE8, QXE9, QXEM QXER, QXQ4, QXS4, QXU, QXUM, QXUZ, SCK4, SHQ4, SHQ5, SM32, SMC1 SMD3, SME0, SME6, SMX2, SNC, STC4, SWA4, SXB7, SXE4, SXE8, SXQ4, SXU VA2, VM2, VN27, VSD7, VSD9, VX8, VXB7, VXB9, VXE2, VXE7, VXE8, VXE9 VXQ4
		-	3	-	-	-	1453873	PKT
	90008-ZE2-003	-	-	-	3	-	1425660	ED6, EDD2, EDS6, EDT6, PXM8, QNB2, QTT, QWA2, SDQ5, VAA1, VAG2, VC2 VCT, VCT2, VDE2, VEP9, VK2, VKB2, VKE4, VKER, VKX4, VKXR, VPE5, VPE9 VPX4, VPX9, VSD4, VWC, VWC9, VWE, VWS, VWT4, VXG



E-11

RECOIL STARTER(1)



Z5T0E1100B

Ref. No.	Part No.	Description	Reqd. QTY					Serial No.	Parts catalogue code
			GX 390 UT1	GX 390 UT2	GX 390 RT1	GX 390 RT2	GX 390 UT2X		
12)	95701-06010-00	BOLT, FLANGE, 6X10.....	-	-	-	3	-	1425661	----- ED6, EDD2, EDS6, EDT6, PXM8, QNB2, QTT, QWA2, SDQ5, VAA1, VAG2, VC2, VCT, VCT2, VDE2, VEP9, VK2, VKB2, VKE4, VKER, VKX4, VKXR, VPE5, VPE9, VPX4, VPX9, VSD4, VWC, VWC9, VWE, VWS, VWT4, VXG
13	28461-Z5T-003	GRIP, STARTER.....	-	1	-	1	-	-----	----- ED6, EDD2, EDS6, EDT6, HA2, LFU, LX2, LXE4, LXE5, LXE8, LXQ4, LXU, PA2, PAE2, PXD8, PXE8, PXM8, PXU, QA2, QA26, QA4, QAA2, QAA6, QAE2, QAE4, QAE6, QAGN, QC2, QDW9, QE, QHB4, QK4, QKA4, QMAH, QME0, QNB2, QNE2, QNE8, QNR2, QNR6, QNRV, QTT, QWA2, QWA4, QWC, QWC4, QWT2, QXAC, QXB7, QXB9, QXC4, QXC6, QXC9, QXCU, QXE4, QXE6, QXE7, QXE8, QXE9, QXEM, QXER, QXQ4, QXS4, QXU, QXUM, QXUZ, SCC, SCK4, SCM3, SDQ5, SHQ4, SHQ5, SHQ6, SM32, SMC1, SMD3, SME0, SME6, SMES, SMSC, SNC, STC4, SWA4, SXB7, SXBG, SXE4, SXE8, SXEM, SXQ4, SXS6, SXU, VA2, VAA1, VAG2, VC2, VCF, VCT, VDE2, VEP9, VK2, VKB2, VKE4, VKER, VKX4, VKXR, VM2, VN27, VPE5, VPE9, VPP9, VPX4, VPX9, VSB9, VSD4, VSD7, VSD9, VWC, VWC9, VWE, VWS, VWS1, VWT4, VX8, VXB7, VXB9, VXE2, VXE7, VXE8, VXE9, VXF, VXG, VXQ4, VXT
	28461-Z5T-305	GRIP, STARTER(C00)(FOR U.S.A.)	-	1	-	1	-	-----	----- ED6, EDD2, EDS6, EDT6, HA2, LX2, LXE4, LXE8, LXQ4, LXU, PA2, PAE2, PXD8, PXE8, PXM8, PXU, QA2, QA26, QA4, QAA2, QAA6, QAE2, QAE4, QAE6, QC2, QDW9, QE, QHB4, QK4, QKA4, QME0, QNB2, QNE2, QNE8, QNR2, QNR6, QTT, QWA2, QWA4, QWC4, QWT2, QXB7, QXB9, QXC4, QXC6, QXC9, QXCU, QXE4, QXE6, QXE7, QXE8, QXE9, QXER, QXQ4, QXS4, QXU, QXUZ, SCK4, SDQ5, SHQ4, SHQ5, SHQ6, SM32, SMC1, SMD3, SME0, SME6, SMSC, SMXC, SNC, STC4, SWA4, SXB7, SXE4, SXE8, SXEM, SXQ4, SXU, VA2, VAA1, VAG2, VC2, VCT, VDE2, VEP9, VK2, VKB2, VKE4, VKX4, VM2, VN27, VPE5, VPE9, VPP9, VPX4, VPX9, VSD4, VSD7, VSD9, VWC, VWC9, VWE, VWS, VWS1, VWT4, VX8, VXB7, VXB9, VXE2, VXE7, VXE8, VXE9, VXF, VXQ4
			-	1	-	1	-	2999999	----- PKT, QC1, QC3, QC4, QC5, QC6, QC9, QCDW, QCE2, QCWT, QNGN, SC1, SCM, SCM1, SCM2, SMX2, VCT2

E-11

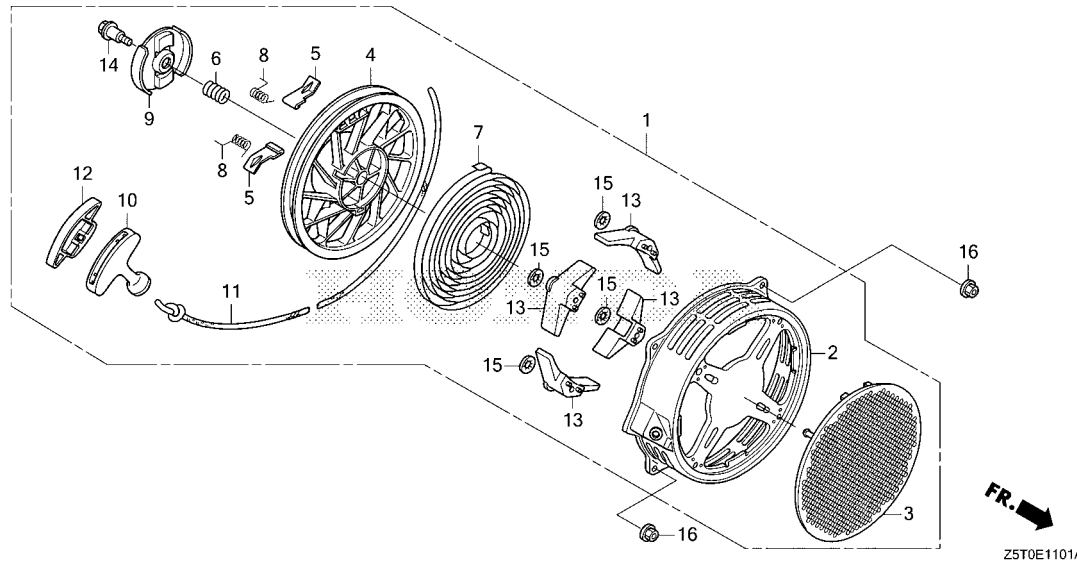
RECOIL STARTER(1)

Ref. No.	Part No.	Description	Reqd. QTY					Serial No.	Parts catalogue code
			GX 390 UT1	GX 390 UT2	GX 390 RT1	GX 390 RT2	GX 390 UT2X		
13)	28461-Z5T-003	GRIP, STARTER	-	1	-	1	-	3000001 -----	PKT, QC1, QC3, QC4, QC5, QC6, QC9, QCDW, QCE2, QCWT, QNGN, SC1, SCM1, SCM2, SMX2, VCT2
			-	-	-	-	1	-----	HA2, LFU, LX2, LXE4, LXE5, LXE8, LXQ4, LXU, PA2, PAE2, PKT, PXD8, PXE8, PXU, QA2, QA4, QAA2, QAE2, QC1, QC3, QC5, QC6, QC9, QCDW, QCE2, QCWT, QE, QHB4, QK4, QKA4, QMAH, QME0, QNE2, QNR2, QNRV, QWC, QXAC, QXB7, QXB9, QXE4, QXE6, QXE7, QXE8, QXE9, QXEM, QXER, QXQ4, QXU, QXUM, QXUZ, SC1, SCC, SCK4, SCM, SCM1, SCM3, SCMV, SE1C, SE2C, SHQ4, SHQ5, SHQ6, SM32, SMC1, SMD3, SME0, SME6, SMX2, STC4, SWA4, SXB7, SXBG, SXE4, SXEM, SXQ4, VN27, VSB9, VSD9, VX8, VXB7, VXB9, VXE2, VXE7, VXE8, VXE9
14	28463-Z5T-013	GRIP, REINFORCEMENT	-	1	-	1	-	-----	ED6, EDD2, EDS6, EDT6, LFU, LXE5, PKT, PXM8, QAGN, QC1, QC3, QC4, QC5, QC6, QC9, QCDW, QCE2, QCWT, QMAH, QNGN, QNRV, QWC, QXAC, QXEM, QXUM, SC1, SCC, SCM, SCM1, SCM2, SCM3, SDQ5, SHQ6, SMES, SMSC, SMX2, SMXC, SXBG, SXEM, SXS6, VCF, VCT, VCT2, VKER, VKXR, VPP9, VSB9, VWS, VWS1, VXF, VXT
	28463-Z5T-003	-	1	-	1	-	1114708 -----	HA2, LX2, LXE4, LXE8, LXQ4, LXU, PA2, PAE2, PXD8, PXE8, PXU, QA2, QA26, QA4, QAA2, QAA6, QAE2, QAE4, QAE6, QC2, QDW9, QE, QHB4, QK4, QKA4, QME0, QNB2, QNE2, QNE8, QNR2, QNR6, QTT, QWA2, QWA4, QWC4, QWT2, QXB7, QXB9, QXC4, QXC6, QXC9, QXCU, QXE4, QXE6, QXE7, QXE8, QXE9, QXER, QXQ4, QXS4, QXU, QXUZ, SCK4, SHQ4, SHQ5, SM32, SMC1, SMD3, SME0, SME6, SNC, STC4, SWA4, SXB7, SXE4, SXE8, SXQ4, SXU, VAA1, VAG2, VC2, VDE2, VEP9, VK2, VKB2, VKE4, VKX4, VM2, VN27, VPE5, VPE9, VPX4, VPX9, VSD4, VSD7, VSD9, VWC, VWC9, VWE, VWT4, VX8, VXB7, VXB9, VXE2, VXE7, VXE8, VXE9, VXG, VXQ4
	28463-Z5T-013	-	1	-	1	-	1114709 -----	HA2, LX2, LXE4, LXE8, LXQ4, LXU, PA2, PAE2, PXD8, PXE8, PXU, QA2, QA26, QA4, QAA2, QAA6, QAE2, QAE4, QAE6, QC2, QDW9, QE, QHB4, QK4, QKA4, QME0, QNB2, QNE2, QNE8, QNR2, QNR6, QTT, QWA2, QWA4, QWC4, QWT2, QXB7, QXB9, QXC4, QXC6, QXC9, QXCU, QXE4, QXE6, QXE7, QXE8, QXE9, QXER, QXQ4, QXS4, QXU, QXUZ, SCK4, SHQ4, SHQ5, SM32, SMC1, SMD3, SME0, SME6, SNC, STC4, SWA4, SXB7, SXE4, SXE8, SXQ4, SXU, VAA1, VAG2, VC2, VDE2, VEP9, VK2, VKB2, VKE4, VKX4, VM2, VN27, VPE5, VPE9, VPX4, VPX9, VSD4, VSD7, VSD9, VWC, VWC9, VWE, VWT4, VX8, VXB7, VXB9, VXE2, VXE7, VXE8, VXE9, VXG, VXQ4
			-	-	-	-	1	-----	HA2, LFU, LX2, LXE4, LXE5, LXE8, LXQ4, LXU, PA2, PAE2, PKT, PXD8, PXE8, PXU, QA2, QA4, QAA2, QAE2, QC1, QC3, QC5, QC6, QC9, QCDW, QCE2, QCWT, QE, QHB4, QK4, QKA4, QMAH, QME0, QNE2, QNR2, QNRV, QWC, QXAC, QXB7, QXB9, QXE4, QXE6, QXE7, QXE8, QXE9, QXEM, QXER, QXQ4, QXU, QXUM, QXUZ, SC1, SCC, SCK4, SCM, SCM1, SCM3, SCMV, SE1C, SE2C, SHQ4, SHQ5, SHQ6, SM32, SMC1, SMD3, SME0, SME6, SMX2, STC4, SWA4, SXB7, SXBG, SXE4, SXEM, SXQ4, VN27, VSB9, VSD9, VX8, VXB7, VXB9, VXE2, VXE7, VXE8, VXE9



E-11-1

RECOIL STARTER(2)



Ref. L.O.N. (Relative ref. Number) F.R.T.
No. Description

Ref. No.	Part No.	Description	Reqd. QTY					Serial No.	Parts catalogue code
			GX 390 UT1	GX 390 UT2	GX 390 RT1	GX 390 RT2	GX 390 UT2X		
1	28400-Z5T-W03ZB	STARTER ASSY., RECOIL *R280*.....POWER RED	-	1	-	1	-	EZD2, EZDM, EZDS, EZDV, QZC, QZD, QZDS, QZHW, QZME, QZND, QZNH, QZRL, QZRV, SZEC, VZS9, VZWE, VZXZ	
	28400-Z5T-W03ZA	*NH1*.....BLACK	-	1	-	1	-	EZD2, EZDM, EZDS, EZDV, QZC, QZD, QZDS, QZHW, QZME, QZND, QZNH, QZRV, SZEC, VZWE	
	28400-Z5T-306ZB	STARTER ASSY., RECOIL(COO) (FOR U.S.A.)							
	28400-Z5T-306ZA	*NH1*.....BLACK	-	1	-	1	-	EZDM, EZDS, EZDV, QZC, QZD, QZDS, QZME, QZND, QZRV, SZEC	
	28400-Z5T-W02ZB	STARTER ASSY., RECOIL *R280*.....POWER RED	-	1	-	1	-	EZDM, EZDS, EZDV, QZC, QZD, QZDS, QZME, QZND, QZRV, SZEC, VZS9	
	28400-Z5T-W02ZA	*NH1*.....BLACK	-	1	-	1	-	1114708 QZA2, QZAV, QZN2, QZNR, QZX9, QZXR, VZC2, VZP9, VZX7, VZX8	
	28400-Z5T-W03ZB	*R280*.....POWER RED	-	1	-	1	-	1114708 QZA2, QZAV, QZN2, QZNR, QZX9, VZC2, VZX8	
	28400-Z5T-W03ZA	*NH1*.....BLACK	-	1	-	1	-	1114709 QZA2, QZAV, QZN2, QZNR, QZX9, QZXR, VZC2, VZP9, VZX7, VZX8	
	28400-Z5T-W03ZB	*R280*.....POWER RED	-	-	-	-	1	1114709 QZA2, QZAV, QZN2, QZNR, QZX9, VZC2, VZX8	
	28400-Z5T-W03ZA	*NH1*.....BLACK	-	-	-	-	1	QZA2, QZAV, QZD, QZHW, QZN2, QZNR, QZRL, QZXR, VZX7, VZX8	
2	28410-Z5T-W02ZB	CASE COMP., RECOIL STARTER *R280*.....POWER RED	-	1	-	1	1	EZD2, EZDM, EZDS, EZDV, QZA2, QZAV, QZC, QZD, QZDS, QZHW, QZME, QZN2, QZND, QZNH, QZNR, QZRL, QZRV, QZX9, QZXR, SZEC, VZC2, VZP9, VZS9, VZWE, VZX7, VZX8, VZXZ	
	28410-Z5T-W02ZA	*NH1*.....BLACK	-	1	-	1	1	EZD2, EZDM, EZDS, EZDV, QZA2, QZAV, QZC, QZD, QZDS, QZHW, QZME, QZN2, QZND, QZNH, QZNR, QZRV, QZX9, SZEC, VZC2, VZWE, VZX8	
3	28411-Z5T-W01	COVER, RECOIL STARTER.....	-	1	-	1	1	EZD2, EZDM, EZDS, EZDV, QZA2, QZAV, QZC, QZD, QZDS, QZHW, QZME, QZN2, QZND, QZNH, QZNR, QZRL, QZRV, QZX9, QZXR, SZEC, VZC2, VZP9, VZS9, VZWE, VZX7, VZX8, VZXZ	
4	28421-Z5T-W01	PULLEY, RECOIL STARTER.....	-	1	-	1	1	EZD2, EZDM, EZDS, EZDV, QZA2, QZAV, QZC, QZD, QZDS, QZHW, QZME, QZN2, QZND, QZNH, QZNR, QZRL, QZRV, QZX9, QZXR, SZEC, VZC2, VZP9, VZS9, VZWE, VZX7, VZX8, VZXZ	

E-11-1

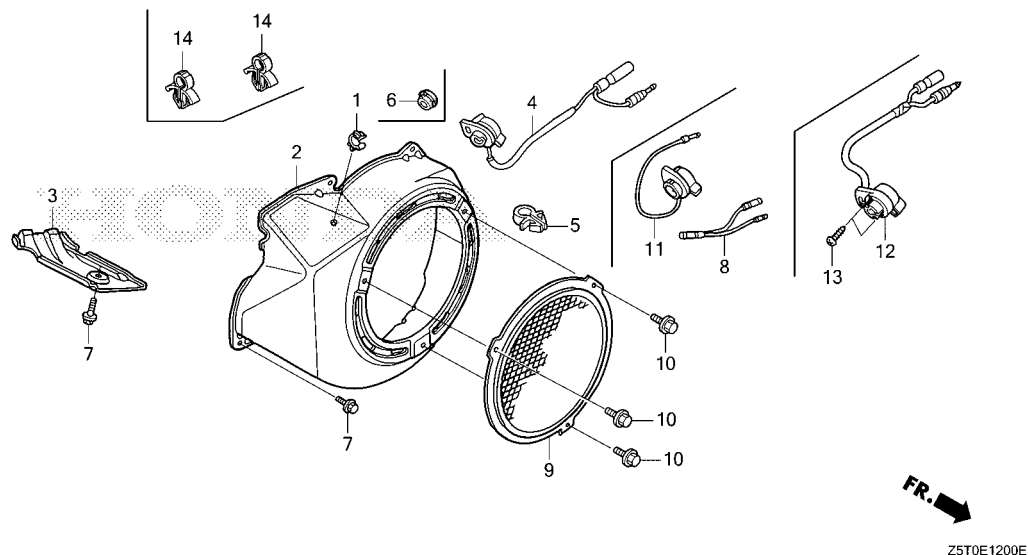
RECOIL STARTER(2)

Ref. No.	Part No.	Description	Reqd. QTY					Serial No.	Parts catalogue code
			GX 390 UT1	GX 390 UT2	GX 390 RT1	GX 390 RT2	GX 390 UT2X		
5	28422-ZE2-W01	RATCHET, STARTER.....	-	2	-	2	2	-----	EZD2, EZDM, EZDS, EZDV, QZA2, QZAV, QZC, QZD, QZDS, QZHW, QZME, QZN2 QZND, QZNH, QZNR, QZRL, QZRV, QZX9, QZXR, SZEC, VZC2, VZP9, VZS9 VZWE, VZX7, VZX8, VZXZ
6	28441-ZE2-W01	SPRING, FRICTION.....	-	1	-	1	1	-----	EZD2, EZDM, EZDS, EZDV, QZA2, QZAV, QZC, QZD, QZDS, QZHW, QZME, QZN2 QZND, QZNH, QZNR, QZRL, QZRV, QZX9, QZXR, SZEC, VZC2, VZP9, VZS9 VZWE, VZX7, VZX8, VZXZ
7	28442-ZE2-W01	SPRING, STARTER RETURN.....	-	1	-	1	1	-----	EZD2, EZDM, EZDS, EZDV, QZA2, QZAV, QZC, QZD, QZDS, QZHW, QZME, QZN2 QZND, QZNH, QZNR, QZRL, QZRV, QZX9, QZXR, SZEC, VZC2, VZP9, VZS9 VZWE, VZX7, VZX8, VZXZ
8	28443-ZE2-W01	SPRING, RATCHET.....	-	2	-	2	2	-----	EZD2, EZDM, EZDS, EZDV, QZA2, QZAV, QZC, QZD, QZDS, QZHW, QZME, QZN2 QZND, QZNH, QZNR, QZRL, QZRV, QZX9, QZXR, SZEC, VZC2, VZP9, VZS9 VZWE, VZX7, VZX8, VZXZ
9	28444-ZE2-W01	RETAINER, SPRING.....	-	1	-	1	1	-----	EZD2, EZDM, EZDS, EZDV, QZA2, QZAV, QZC, QZD, QZDS, QZHW, QZME, QZN2 QZND, QZNH, QZNR, QZRL, QZRV, QZX9, QZXR, SZEC, VZC2, VZP9, VZS9 VZWE, VZX7, VZX8, VZXZ
10	28461-Z5T-003	GRIP, STARTER.....	-	1	-	1	1	-----	EZD2, EZDM, EZDS, EZDV, QZA2, QZAV, QZC, QZD, QZDS, QZHW, QZME, QZN2 QZND, QZNH, QZNR, QZRL, QZRV, QZX9, QZXR, SZEC, VZC2, VZP9, VZS9 VZWE, VZX7, VZX8, VZXZ
	28461-Z5T-305	GRIP, STARTER(C00)(FOR U.S.A.)	-	1	-	1	-	-----	EZD2, EZDM, EZDS, EZDV, QZA2, QZAV, QZC, QZD, QZDS, QZME, QZN2, QZND QZNH, QZNR, QZRV, QZX9, QZXR, SZEC, VZC2, VZP9, VZS9, VZWE, VZX7 VZX8
11	28462-ZE3-W01	ROPE, RECOIL STARTER.....	-	1	-	1	1	-----	EZD2, EZDM, EZDS, EZDV, QZA2, QZAV, QZC, QZD, QZDS, QZHW, QZME, QZN2 QZND, QZNH, QZNR, QZRL, QZRV, QZX9, QZXR, SZEC, VZC2, VZP9, VZS9 VZWE, VZX7, VZX8, VZXZ
12	28463-Z5T-013	GRIP, REINFORCEMENT.....	-	1	-	1	-	-----	EZD2, EZDM, EZDS, EZDV, QZC, QZD, QZDS, QZHW, QZME, QZND, QZNH, QZRL QZRV, SZEC, VZS9, VZWE, VZXZ
	28463-Z5T-003	-	1	-	1	-	1114708	QZA2, QZAV, QZN2, QZNR, QZX9, QZXR, VZC2, VZP9, VZX7, VZX8
	28463-Z5T-013	-	1	-	1	-	1114709	QZA2, QZAV, QZN2, QZNR, QZX9, QZXR, VZC2, VZP9, VZX7, VZX8
		-	-	-	-	1	-----	QZA2, QZAV, QZD, QZHW, QZN2, QZNR, QZRL, QZXR, VZX7, VZX8
13	28465-Z5T-W01	COVER, ROPE.....	-	4	-	4	4	-----	EZD2, EZDM, EZDS, EZDV, QZA2, QZAV, QZC, QZD, QZDS, QZHW, QZME, QZN2 QZND, QZNH, QZNR, QZRL, QZRV, QZX9, QZXR, SZEC, VZC2, VZP9, VZS9 VZWE, VZX7, VZX8, VZXZ
14	90004-ZE2-W01	SCREW, CENTER.....	-	1	-	1	1	-----	EZD2, EZDM, EZDS, EZDV, QZA2, QZAV, QZC, QZD, QZDS, QZHW, QZME, QZN2 QZND, QZNH, QZNR, QZRL, QZRV, QZX9, QZXR, SZEC, VZC2, VZP9, VZS9 VZWE, VZX7, VZX8, VZXZ
15	90201-Z5T-W01	NUT, PUSH.....	-	4	-	4	4	-----	EZD2, EZDM, EZDS, EZDV, QZA2, QZAV, QZC, QZD, QZDS, QZHW, QZME, QZN2 QZND, QZNH, QZNR, QZRL, QZRV, QZX9, QZXR, SZEC, VZC2, VZP9, VZS9 VZWE, VZX7, VZX8, VZXZ
16	94050-06000	NUT, FLANGE, 6MM.....	-	4	-	4	4	-----	EZD2, EZDM, EZDS, EZDV, QZA2, QZAV, QZC, QZD, QZDS, QZHW, QZME, QZN2 QZND, QZNH, QZNR, QZRL, QZRV, QZX9, QZXR, SZEC, VZC2, VZP9, VZS9 VZWE, VZX7, VZX8, VZXZ



E-12

FAN COVER(1)



Ref. L.O.N. (Relative ref. Number) F.R.T.
No. Description

Ref. No.	Part No.	Description	Reqd. QTY					Serial No.	Parts catalogue code
			GX 390 UT1	GX 390 UT2	GX 390 RT1	GX 390 RT2	GX 390 UT2X		
1	16731-ZE2-003	CLIP, TUBE.....	1	1	1	1	1	HA2, LKE, LX2, LXE4, LXE5, LXE8, LXQ4, LXU, PA2, PAE2, PKT, PXD8, PXE8, PXM8, PXU, QA2, QA26, QA4, QAA2, QAA6, QAE2, QAE4, QAE6, QAGN, QAW, QC1, QC2, QC3, QC4, QC5, QC6, QC9, QCDW, QCE2, QCWT, QDW9, QE, QHB4, QK4, QKA4, QMAH, QME0, QME2, QNB2, QNE2, QNE6, QNE8, QNGN, QNR2, QNR6, QNRV, QTT, QWA2, QWA4, QWC, QWC4, QWT2, QXAC, QXB7, QXB9, QXC4, QXC6, QXC9, QXCU, QXE4, QXE6, QXE7, QXE8, QXE9, QXEM, QXER, QXH9, QXQ4, QXS2, QXS4, QXU, QXUM, QXUZ, SC1, SCC, SCK4, SCM, SCM1, SCM2, SCM3, SCMV, SDQ5, SE1C, SE2C, SHQ2, SHQ4, SHQ5, SHQ6, SM32, SMC1, SMC2, SMD3, SME0, SME6, SMES, SMSC, SMX2, SMXC, SNC, STC4, SWA2, SWA4, SXB7, SXB9, SXBG, SXE4, SXE8, SXEM, SXQ4, SXU, VA2, VAC2, VAG2, VC2, VC2N, VCF, VCN2, VCT, VCT2, VD2, VDE2, VEP9, VK2, VKB2, VKE4, VKER, VKX4, VKXR, VM2, VN27, VNG1, VPE5, VPE9, VPP9, VPX2, VPX4, VPX9, VS49, VSB9, VSD4, VSD7, VSD9, VTH4, VWC, VWC9, VWE, VWS1, VWT4, VX8, VXB7, VXB9, VXE2, VXE6, VXE7, VXE8, VXE9, VXF, VXG, VXQ4, VXT	
2	19610-ZE3-010ZL	COVER COMP., FAN *R280*.....POWER RED	1	-	1	-	-	HA2, LKE, LX2, LXE4, LXE8, LXQ4, LXU, PA2, PAE2, PXD8, PXE8, PXU, QA2, QA26, QA4, QAA2, QAA6, QAE2, QAE4, QAE6, QAW, QDW9, QE, QHB4, QK4, QKA4, QME0, QME2, QNB2, QNE2, QNE6, QNE8, QNR2, QNR6, QWA4, QXC4, QXC6, QXC9, QXCU, QXE4, QXE6, QXE8, QXER, QXQ4, QXS2, QXS4, QXU, QXUZ, SHQ2, SHQ4, SM32, SMC1, SMC2, SMD3, SME0, SME6, SNC, STC4, SWA2, SWA4, SXE4, SXE8, SXQ4, SXU, VA2, VAA1, VAA8, VAC2, VAG2, VC2, VC2N, VCN2, VD2, VDE2, VK2, VKB2, VX8, VXE2, VXE6, VXE8, VXG, VXQ4	
	19610-ZE3-010ZB	*NH1*.....BLACK	1	-	1	-	-	PA2, QA2, QAA2, QAE2, QAE4, QC2, QDW9, QNR2, QTT, QWA4, QWC4, QWT2, QXC9, QXS2, QXS4, SM32, SME6, SWA2, SWA4, SXU, VC2, VC2N	
	19610-ZE3-010ZG	*NH105*....MAT BLACK(#15-#20)	1	-	1	-	-	QWA2, VDE2, VM2, VWC, VWE, VXE2, VXG	
	19610-ZE3-W02ZF	*R280*.....POWER RED	1	-	1	-	-	QXB7, QXB9, QXE7, QXE9, QXH9, SCK4, SXB7, SXB9, VEP9, VN27, VNG1, VPE5, VPE9, VPX2, VPX4, VPX9, VS49, VSD4, VSD7, VSD9, VTH4, VWC9, VWT4, VXB7, VXB9, VXE7, VXE9	

E-12

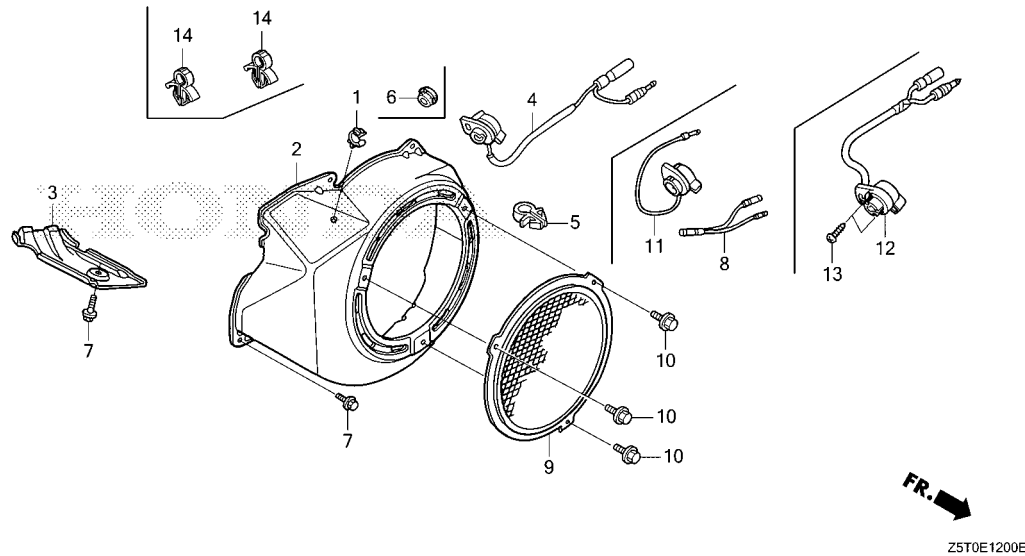
FAN COVER(1)

Ref. No.	Part No.	Description	Reqd. QTY					Serial No.	Parts catalogue code
			GX 390 UT1	GX 390 UT2	GX 390 RT1	GX 390 RT2	GX 390 UT2X		
(2)	19610-ZE3-W02ZD	COVER COMP., FAN							
		NH1.....BLACK	1	-	1	-	-	VKE4, VKX4, VN27, VSD7, VSD9, VXB7, VXB9	
	19610-ZE3-W02ZB	*T39*.....GEKO BLUE	1	-	1	-	-	VNG1	
	19610-ZE3-W02ZE	*NH105*....MAT BLACK(#15-#20)	1	-	1	-	-	VWC9, VXE7, VXE9	
	19610-Z5T-000ZA	*R280*.....POWER RED	-	1	-	1	1	HA2, LFU, LKE, LX2, LXE4, LXE5, LXE8, LXQ4, LXU, PA2, PAE2, PKT, PXD8 PXEM, PXM8, PXU, QA2, QA26, QA4, QAA2, QAA6, QAE2, QAE4, QAE6, QAGN QC1, QC3, QC4, QC5, QC9, QCDW, QCWT, QDW9, QE, QHB4, QK4, QKA4, QME0 QNB2, QNE2, QNE8, QNGN, QNR2, QNR6, QNRV, QTT, QWA4, QXC4, QXC6 QXC9, QXCU, QXE4, QXE6, QXE8, QXEM, QXER, QXQ4, QXS4, QXU, QXUM QXUZ, SC1, SCC, SCM1, SCM2, SDQ5, SE1C, SE2C, SHQ4, SHQ5, SHQ6, SM32 SMC1, SMD3, SME0, SME6, SMES, SMX2, SNC, STC4, SWA4, SXBG, SXE4 SXE8, SXQ4, SXU, VA2, VAA1, VAG2, VC2, VCF, VCT, VCT2, VDE2, VK2 VKB2, VWC, VWE, VX8, VXE2, VXE8, VXF, VXG, VXQ4, VXT QXAC, VKE4, VKX4, VN27, VSB9, VSD7, VSD9, VWC9, VXB7, VXB9, VXE7 VXE9	
	19610-Z5T-810ZA	*NH1*.....BLACK	-	1	-	1	1	QXB7, QXB9, QXE7, QXE9, SCK4, SXB7, VEP9, VKE4, VKER, VKX4, VKXR VN27, VPE5, VPE9, VPP9, VPX4, VPX9, VSB9, VSD4, VSD7, VSD9, VWC9 VWT4, VXB7, VXB9, VXE7, VXE9	
	19610-Z5T-810ZB	*R280*.....POWER RED	-	1	-	1	1	LFU, LXE5, PA2, PKT, PXM8, QA2, QA4, QAA2, QAE2, QAE4, QAGN, QC2, QC4 QC5, QC6, QC9, QCDW, QCE2, QCWT, QDW9, QMAH, QNR2, QTT, QWA2, QWA4 QWC, QWC4, QWT2, QXC9, QXS4, SCM, SCM1, SCM2, SCM3, SHQ5, SM32, SME6 SMSC, SMX2, SMXC, SWA4, SXBG, SXE4, SXEM, SXU, VAG2, VC2, VCF, VCT VCT2, VDE2, VM2, VWC, VWE, VWS1, VX8, VXE2, VXE8, VXF, VXG, VXT ED6, EDD2, EDS6, EDT6, SXS6, VWS	
	19610-Z5T-000ZB	*NH1*.....BLACK	-	1	-	1	-	ED6, EDD2, EDS6, EDT6, VWS	
	19610-Z5T-800ZC	*NH1*.....BLACK	-	-	-	1	-	LFU, LXE5, PA2, PKT, QA2, QA4, QAA2, QAE2, QC5, QC6, QC9, QCDW, QCE2 QCWT, QMAH, QNR2, QWC, QXQ4, SCM, SCM1, SCM3, SCMV, SE1C, SE2C, SHQ5 SM32, SME6, SMX2, SWA4, SXBG, SXE4, SXEM, SXQ4, VX8, VXE2, VXE8	
	19610-Z5T-800ZA	*R280*.....POWER RED	-	-	-	1	-		
	19610-Z5T-000ZB	*NH1*.....BLACK	-	-	-	1	-		
3	19631-ZE3-W00	SHROUD	1	-	1	-	-		
	19631-Z5T-000	-	1	-	1	1	ED6, EDD2, EDS6, EDT6, HA2, LFU, LKE, LX2, LXE4, LXE5, LXE8, LXQ4 LXU, PA2, PAE2, PKT, PXD8, PXE8, PXM8, PXU, QA2, QA26, QA4, QAA2 QAA6, QAE2, QAE4, QAE6, QAGN, QC1, QC2, QC3, QC4, QC5, QC6, QC9, QCDW QCE2, QCWT, QDW9, QE, QHB4, QK4, QKA4, QMAH, QME0, QNB2, QNE2, QNE8 QNGN, QNR2, QNR6, QNRV, QTT, QWA2, QWA4, QWC, QWC4, QWT2, QXAC, QXB7 QXB9, QXC4, QXC6, QXC9, QXCU, QXE4, QXE6, QXE7, QXE8, QXE9, QXEM QXER, QXQ4, QXS4, QXU, QXUM, QXUZ, SC1, SCC, SCK4, SCM, SCM1, SCM2 SCM3, SCMV, SDQ5, SE1C, SE2C, SHQ4, SHQ5, SHQ6, SM32, SMC1, SMD3 SME0, SME6, SMES, SMSC, SMX2, SMXC, SNC, STC4, SWA4, SXB7, SXBG SXE4, SXE8, SXEM, SXQ4, SXS6, SXU, VA2, VAA1, VAG2, VC2, VCF, VCT VCT2, VDE2, VEP9, VK2, VKB2, VKE4, VKER, VKX4, VKXR, VM2, VN27, VPE5 VPE9, VPP9, VPX4, VPX9, VSB9, VSD4, VSD7, VSD9, VWC, VWC9, VWE, VWS VWS1, VWT4, VX8, VXB7, VXB9, VXE2, VXE7, VXE8, VXE9, VXF, VXG, VXQ4 VXT	
4	36100-ZF6-P82	SWITCH ASSY., ENGINE STOP	1	-	1	-	-	HA2, LX2, LXQ4, LXU, PA2, PXU, QA2, QA26, QA4, QAA2, QAA6, QAW, QC2 QDW9, QK4, QTT, QWA4, QWC4, QWT2, QXB7, QXB9, QXC4, QXC6, QXC9, QXCU QXQ4, QXS2, QXS4, QXU, QXUZ, SMD3, SME6, SNC, SWA2, SWA4, SXB7, SXB9 SXQ4, SXU, VA2, VAC2, VAG2, VD2, VM2, VNG1, VPX9, VSD7, VSD9, VWC9 VX8, VXB7, VXB9, VXG, VXQ4	
5	36103-ZE1-000	HOLDER, STOP SWITCH CORD	1	-	1	1	-	LKE, LXE4, LXE8, PAE2, PXD8, PXE8, PXM8, QAE2, QAE4, QAE6, QAGN, QE QHB4, QKA4, QME0, QME2, QNE2, QNE6, QNE8, QNGN, QNR2, QNR6, QXE4 QXE6, QXE7, QXE8, QXE9, QXER, QXH9, SCK4, SHQ2, SHQ4, SM32, SMC1 SMC2, SME0, STC4, SXE4, SXE8, VAA8, VC2, VC2N, VDE2, VK2, VKB2, VN27 VXE2, VXE6, VXE7, VXE8, VXE9	
			-	1	-	-	1	LKE, LXE4, LXE5, LXE8, PAE2, PXD8, PXE8, QAE2, QAE4, QAE6, QKA4 QME0, QNE2, QNE8, QNR2, QNR6, QNRV, QXE4, QXE6, QXE7, QXE8, QXE9 QXEM, QXER, SCK4, SCM1, SM32, SME0, SMSC, STC4, SXE4, SXE8, VN27 VXE2, VXE7, VXE8, VXE9	
			-	1	-	-	-	2999999 QE, QHB4, SMC1	



E-12

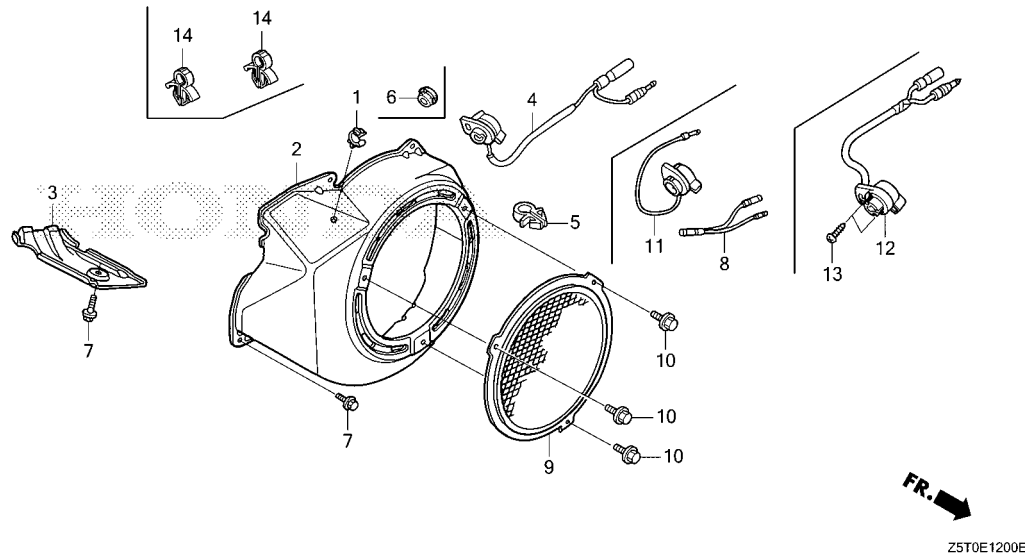
FAN COVER(1)



Ref. No.	Part No.	Description	Reqd. QTY					Serial No.	Parts catalogue code
			GX 390 UT1	GX 390 UT2	GX 390 RT1	GX 390 RT2	GX 390 UT2X		
6	81329-567-020	GROMMET, DRAIN HOLE.....	1	1	1	1	1	-----	ED6, EDD2, EDS6, EDT6, LFU, LKE, LXE4, LXE5, LXE8, PAE2, PXD8, PXE8, PXM8, QAE2, QAE4, QAE6, QAGN, QC5, QHB4, QKA4, QMAH, QME0, QME2, QNB2, QNE2, QNE6, QNE8, QNGN, QNR2, QNR6, QNRV, QTT, QWA2, QXE4, QXE6, QXE7, QXE8, QXE9, QXEM, QXER, QXH9, SCC, SCK4, SCM, SCM1, SCM2, SCM3, SE2C, SM32, SME0, SMES, SMSC, SMXC, STC4, SXBG, SXE4, SXE8, SXEM, SXS6, VAA1, VAA8, VC2, VC2N, VCF, VCN2, VCT, VCT2, VDE2, VEP9, VK2, VKB2, VKE4, VKER, VKX4, VKXR, VN27, VPE5, VPE9, VPP9, VPX2, VPX4, VS49, VSD4, VTH4, VWC, VWE, VWS, VWS1, VWT4, VXE2, VXE6, VXE7, VXE8, VXE9, VXF, VXT
7	90013-883-000	BOLT, FLANGE, 6X12(CT200)....	-	1	-	-	-	1025520 -----	QWA4 ED6, EDD2, EDS6, EDT6, HA2, LFU, LKE, LX2, LXE4, LXE5, LXE8, LXQ4, LXU, PA2, PAE2, PKT, PXD8, PXE8, PXM8, PXU, QA2, QA26, QA4, QAA2, QAA6, QAE2, QAE4, QAE6, QAGN, QAW, QC1, QC2, QC3, QC4, QC5, QC6, QC9, QCDW, QCE2, QCWT, QDW9, QE, QHB4, QK4, QKA4, QMAH, QME0, QME2, QNB2, QNE2, QNE6, QNE8, QNGN, QNR2, QNR6, QNRV, QTT, QWA2, QWA4, QWC, QWC4, QWT2, QXAC, QXB7, QXB9, QXC4, QXC6, QXC9, QXCU, QXE4, QXE6, QXE7, QXE8, QXE9, QXEM, QXER, QXH9, QXQ4, QXS2, QXS4, QXU, QXUM, QXUZ, SC1, SCC, SCK4, SCM, SCM1, SCM2, SCM3, SCMV, SDQ5, SE1C, SE2C, SHQ2, SHQ4, SHQ5, SHQ6, SM32, SMC1, SMC2, SMD3, SME0, SME6, SMES, SMSC, SMX2, SMXC, SNC, STC4, SWA2, SWA4, SXB7, SXB9, SXBG, SXE4, SXE8, SXEM, SXQ4, SXS6, SXU, VA2, VAA1, VAA8, VAC2, VAG2, VC2, VC2N, VCF, VCN2, VCT, VCT2, VD2, VDE2, VEP9, VK2, VKB2, VKE4, VKER, VKX4, VKXR, VM2, VN27, VNG1, VPE5, VPE9, VPP9, VPX2, VPX4, VPX9, VS49, VSB9, VSD4, VSD7, VSD9, VTH4, VWC, VWC9, VWE, VWS, VWS1, VWT4, VX8, VXB7, VXB9, VXE2, VXE6, VXE7, VXE8, VXE9, VXF, VXG, VXQ4, VXT
8	32197-ZH8-003	SUB HARNESS.....	1	1	1	-	1	-----	SCM3, SXEM, VAA1, VEP9, VXG
9	19620-ZE3-811	PROTECTOR COMP., FAN COVER...	1	1	-	-	1	-----	LKE
10	90008-ZE2-003	BOLT, FLANGE, 6X10.....	3	3	-	-	3	-----	LKE

E-12

FAN COVER(1)

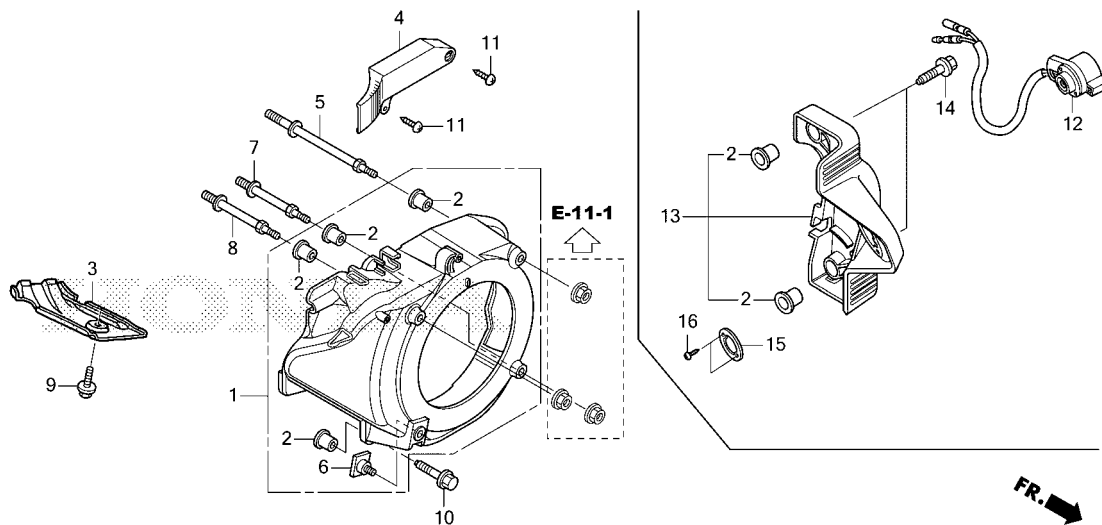


Ref. No.	Part No.	Description	Reqd. QTY					Serial No.	Parts catalogue code
			GX 390 UT1	GX 390 UT2	GX 390 RT1	GX 390 RT2	GX 390 UT2X		
11	35120-Z0D-V81	SWITCH ASSY., ENGINE STOP.....	1	-	1	-	-	QE, SHQ2, SHQ4, SMC1, SMC2, VAA1	
12	35120-Z5T-003	SWITCH ASSY., ENGINE STOP.....	-	1	-	1	1	HA2, LX2, LXQ4, LXU, PA2, PKT, PXU, QA2, QA26, QA4, QAA2, QAA6, QC1, QC2, QC3, QC4, QC6, QC9, QCDW, QCE2, QCWT, QDW9, QE, QK4, QTT, QWA4, QWC, QWC4, QWT2, QXAC, QXB7, QXB9, QXC4, QXC6, QXC9, QXCU, QXQ4, QXS4, QXU, QXUM, QXUZ, SC1, SCMV, SDQ5, SE1C, SHQ4, SHQ5, SHQ6, SMC1, SMD3, SME6, SMX2, SNC, SWA4, SXB7, SXQ4, SXU, VA2, VAA1, VAG2, VM2, VPX9, VSB9, VSD7, VSD9, VWC9, VX8, VXB7, VXB9, VXG, VXQ4	
13	90004-Z5T-000	(OTHER PARTS) SCREW, TAPPING, 3X6(P0).....	-	1	-	-	1	QC5	
			-	2	-	2	2	HA2, LX2, LXQ4, LXU, PA2, PKT, PXU, QA2, QA26, QA4, QAA2, QAA6, QC1, QC2, QC3, QC4, QC6, QC9, QCDW, QCE2, QCWT, QDW9, QE, QK4, QWC, QWC4, QWT2, QXAC, QXB7, QXB9, QXC4, QXC6, QXC9, QXCU, QXQ4, QXS4, QXU, QXUM, QXUZ, SC1, SCMV, SDQ5, SE1C, SHQ4, SHQ5, SHQ6, SMC1, SMD3, SME6, SMX2, SNC, SWA4, SXB7, SXQ4, SXU, VA2, VAA1, VAG2, VM2, VPX9, VSB9, VSD7, VSD9, VWC9, VX8, VXB7, VXB9, VXG, VXQ4	
			-	2	-	-	-	1025519 QWA4	
			-	-	-	2	-	2999999 QTT	
14	90654-SA4-003	CLIP, WIRE HARNESS, 6MM(WHITE)	-	-	-	2	-	ED6, EDD2, EDS6, EDT6, SXS6, VWS	



E-12-1

FAN COVER(2)



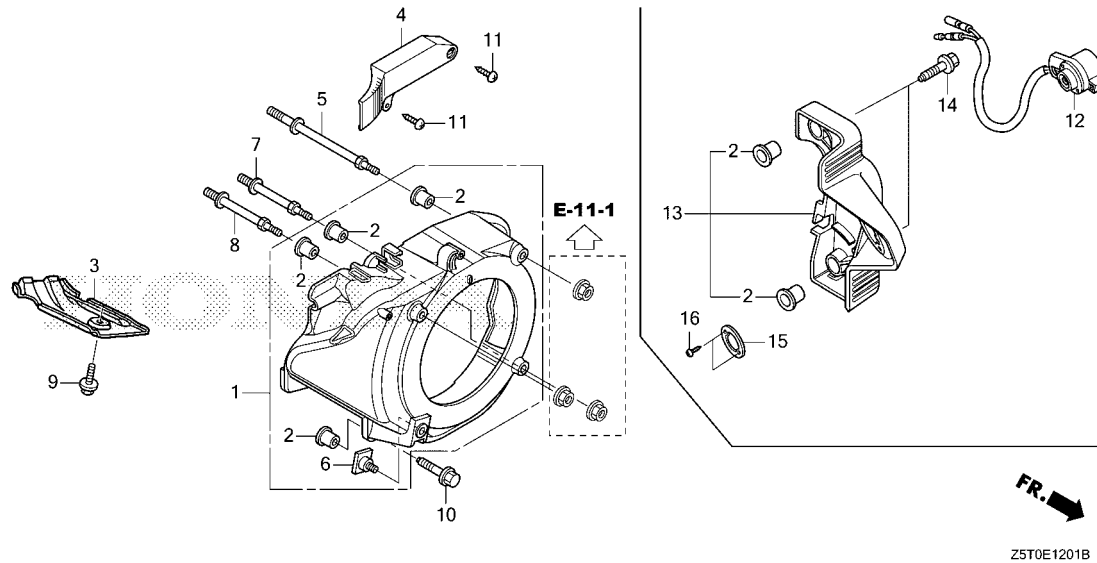
Z5T0E1201B

Ref. L.O.N. (Relative ref. Number) F.R.T.
No. Description

Ref. No.	Part No.	Description	Reqd. QTY					Serial No.	Parts catalogue code
			GX 390 UT1	GX 390 UT2	GX 390 RT1	GX 390 RT2	GX 390 UT2X		
1	19610-Z5T-W00ZB	COVER COMP., FAN *R280*.....POWER RED	-	1	-	1	1	-----	EZD2, EZDM, EZDS, EZDV, QZA2, QZAV, QZC, QZD, QZDS, QZHW, QZME, QZN2, QZND, QZNH, QZNR, QZRL, QZRV, QZX9, QZXR, SZEC, VZC2, VZP9, VZS9, VZWE, VZX7, VZX8, VZXZ
	19610-Z5T-W00ZA	*NH1*.....BLACK	-	1	-	1	1	-----	EZD2, EZDM, EZDS, EZDV, QZA2, QZAV, QZC, QZD, QZDS, QZHW, QZME, QZN2, QZND, QZNH, QZNR, QZRV, QZX9, SZEC, VZC2, VZWE, VZX8
2	19619-ZL8-300	COLLAR, FAN COVER	-	4	-	-	4	-----	QZA2, QZAV, QZHW, QZME, QZN2, QZND, QZNH, QZNR, QZRL, QZX9, QZXR, SZEC, VZX7, VZX8
			-	6	-	-	-	-----	QZC, QZD, QZDS, QZRV, VZS9
			-	-	-	4	-	-----	EZD2, EZDM, EZDS, EZDV, VZC2, VZP9, VZWE, VZXZ
3	19631-Z5T-000	SHROUD	-	1	-	1	1	-----	QZD
			-	-	-	-	6	-----	EZD2, EZDM, EZDS, EZDV, QZA2, QZAV, QZC, QZD, QZDS, QZHW, QZME, QZN2, QZND, QZNH, QZNR, QZRL, QZRV, QZX9, QZXR, SZEC, VZC2, VZP9, VZS9, VZWE, VZX7, VZX8, VZXZ
4	30421-Z5T-W00	COVER, ELECTRONIC PARTS	-	1	-	1	1	-----	QZA2, QZAV, QZC, QZD, QZDS, QZHW, QZME, QZN2, QZND, QZNH, QZNR, QZRL, QZRV, QZX9, QZXR, SZEC, VZC2, VZP9, VZS9, VZWE, VZX7, VZX8
5	90002-Z5T-W00	BOLT, STUD(SEL)	-	-	-	1	-	-----	2999999 EZD2
			-	1	-	1	1	-----	EZD2, EZDM, EZDS, EZDV, QZA2, QZAV, QZC, QZD, QZDS, QZHW, QZME, QZN2, QZND, QZNH, QZNR, QZRL, QZRV, QZX9, QZXR, SZEC, VZC2, VZP9, VZS9, VZWE, VZX7, VZX8, VZXZ
6	90003-Z2E-000	BOLT, SPECIAL, 6MM	-	1	-	1	1	-----	EZD2, EZDM, EZDS, EZDV, QZA2, QZAV, QZC, QZD, QZDS, QZHW, QZME, QZN2, QZND, QZNH, QZNR, QZRL, QZRV, QZX9, QZXR, SZEC, VZC2, VZP9, VZS9, VZWE, VZX7, VZX8, VZXZ
7	90003-Z5T-W00	BOLT, STUD	-	1	-	1	1	-----	EZD2, EZDM, EZDS, EZDV, QZA2, QZAV, QZC, QZD, QZDS, QZHW, QZME, QZN2, QZND, QZNH, QZNR, QZRL, QZRV, QZX9, QZXR, SZEC, VZC2, VZP9, VZS9, VZWE, VZX7, VZX8, VZXZ

E-12-1

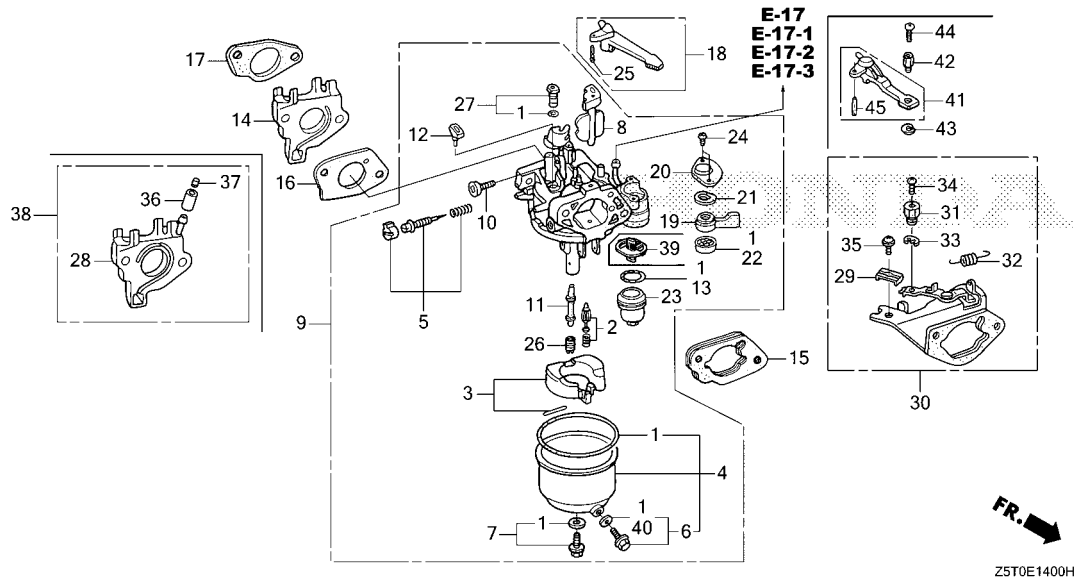
FAN COVER(2)



Ref. No.	Part No.	Description	Reqd. QTY					Serial No.	Parts catalogue code
			GX 390 UT1	GX 390 UT2	GX 390 RT1	GX 390 RT2	GX 390 UT2X		
8	90007-Z5T-W00	BOLT B, STUD.....	-	1	-	1	1	-----	EZD2, EZDM, EZDS, EZDV, QZA2, QZAV, QZC, QZD, QZDS, QZHW, QZME, QZN2, QZND, QZNH, QZNR, QZRL, QZRV, QZX9, QZXR, SZEC, VZC2, VZP9, VZS9, VZWE, VZX7, VZX8, VZXZ
9	90013-883-000	BOLT, FLANGE, 6X12(CT200)....	-	1	-	1	1	-----	EZD2, EZDM, EZDS, EZDV, QZA2, QZAV, QZC, QZD, QZDS, QZHW, QZME, QZN2, QZND, QZNH, QZNR, QZRL, QZRV, QZX9, QZXR, SZEC, VZC2, VZP9, VZS9, VZWE, VZX7, VZX8, VZXZ
10	90121-952-000	BOLT, FLANGE, 6X25(CT200)....	-	1	-	1	1	-----	EZD2, EZDM, EZDS, EZDV, QZA2, QZAV, QZC, QZD, QZDS, QZHW, QZME, QZN2, QZND, QZNH, QZNR, QZRL, QZRV, QZX9, QZXR, SZEC, VZC2, VZP9, VZS9, VZWE, VZX7, VZX8, VZXZ
11	93913-25580	SCREW, TAPPING, 5X20.....	-	2	-	2	2	-----	QZA2, QZAV, QZC, QZD, QZDS, QZHW, QZME, QZN2, QZND, QZNH, QZNR, QZRL, QZRV, QZX9, QZXR, SZEC, VZC2, VZP9, VZS9, VZWE, VZX7, VZX8
12	35120-Z5T-W01	SWITCH ASSY., ENGINE STOP....	-	1	-	-	1	-----	2999999 EZD2 QZC, QZD, QZDS, QZRV, VZS9
13	35124-Z5T-000	BRACKET, SWITCH.....	-	1	-	-	1	-----	QZC, QZD, QZDS, QZRV, VZS9
14	90018-ZE1-000	BOLT, FLANGE, 6X23(CT200)....	-	2	-	-	2	-----	QZC, QZD, QZDS, QZRV, VZS9
15	90401-Z5T-000	WASHER, ENGINE STOP SWITCH...	-	1	-	-	1	-----	QZC, QZD, QZDS, QZRV, VZS9
16	93901-12220	SCREW, TAPPING, 3X10.....	-	2	-	-	2	-----	QZC, QZD, QZDS, QZRV, VZS9

E-14

CARBURETOR(1)



Ref. L.O.N. (Relative ref. Number) F.R.T.
 No. Description

Ref. No.	Part No.	Description	Reqd. QTY					Serial No.	Parts catalogue code
			GX 390 UT1	GX 390 UT2	GX 390 RT1	GX 390 RT2	GX 390 UT2X		
1	16010-ZE2-812	GASKET SET.....	1	1	1	1	1	HA2, LKE, LX2, LXE4, LXE5, LXE8, LXQ4, LXU, PA2, PAE2, PKT, PXD8 PXE8, PXM8, PXU, QA2, QA26, QA4, QAA2, QAA6, QAE2, QAE4, QAE6, QAGN QAW, QC1, QC2, QC3, QC4, QC5, QC6, QC9, QCDW, QCE2, QCWT, QDW9, QE QHB4, QK4, QKA4, QMAH, QME0, QME2, QNB2, QNE2, QNE6, QNE8, QNGN QNR2, QNR6, QNRV, QTT, QWA2, QWA4, QWC, QWC4, QWT2, QXAC, QXB7, QXB9 QXC4, QXC6, QXC9, QXC4, QXE4, QXE6, QXE7, QXE8, QXE9, QXEM, QXER QXH9, QXQ4, QXS2, QXS4, QXU, QXUM, QXUZ, SC1, SCC, SCK4, SCM, SCM1 SCM2, SCM3, SCMV, SDQ5, SE1C, SE2C, SHQ2, SHQ4, SHQ5, SHQ6, SM32 SMC1, SMC2, SMD3, SME0, SME6, SMES, SMSC, SMX2, SMXC, SNC, STC4 SWA2, SWA4, SXB7, SXB9, SXBG, SXE4, SXE8, SXEM, SXQ4, SXU, VA2, VAC2 VAG2, VCN2, VD2, VDE2, VK2, VKB2, VM2, VN27, VNG1, VSB9, VSD7, VSD9 VWC9, VWT4, VX8, VXB7, VXB9, VXE2, VXE6, VXE7, VXE8, VXE9, VXQ4	
2	16011-ZA0-931	VALVE SET, FLOAT.....	1	1	1	1	1	HA2, LKE, LX2, LXE4, LXE5, LXE8, LXQ4, LXU, PA2, PAE2, PKT, PXD8 PXE8, PXM8, PXU, QA2, QA26, QA4, QAA2, QAA6, QAE2, QAE4, QAE6, QAGN QAW, QC1, QC2, QC3, QC4, QC5, QC6, QC9, QCDW, QCE2, QCWT, QDW9, QE QHB4, QK4, QKA4, QMAH, QME0, QME2, QNB2, QNE2, QNE6, QNE8, QNGN QNR2, QNR6, QNRV, QTT, QWA2, QWA4, QWC, QWC4, QWT2, QXAC, QXB7, QXB9 QXC4, QXC6, QXC9, QXC4, QXE4, QXE6, QXE7, QXE8, QXE9, QXEM, QXER QXH9, QXQ4, QXS2, QXS4, QXU, QXUM, QXUZ, SC1, SCC, SCK4, SCM, SCM1 SCM2, SCM3, SCMV, SDQ5, SE1C, SE2C, SHQ2, SHQ4, SHQ5, SHQ6, SM32 SMC1, SMC2, SMD3, SME0, SME6, SMES, SMSC, SMX2, SMXC, SNC, STC4 SWA2, SWA4, SXB7, SXB9, SXBG, SXE4, SXE8, SXEM, SXQ4, SXU, VA2, VAC2 VAG2, VCN2, VD2, VDE2, VK2, VKB2, VM2, VN27, VNG1, VSB9, VSD7, VSD9 VWC9, VWT4, VX8, VXB7, VXB9, VXE2, VXE6, VXE7, VXE8, VXE9, VXQ4	

2

E-14

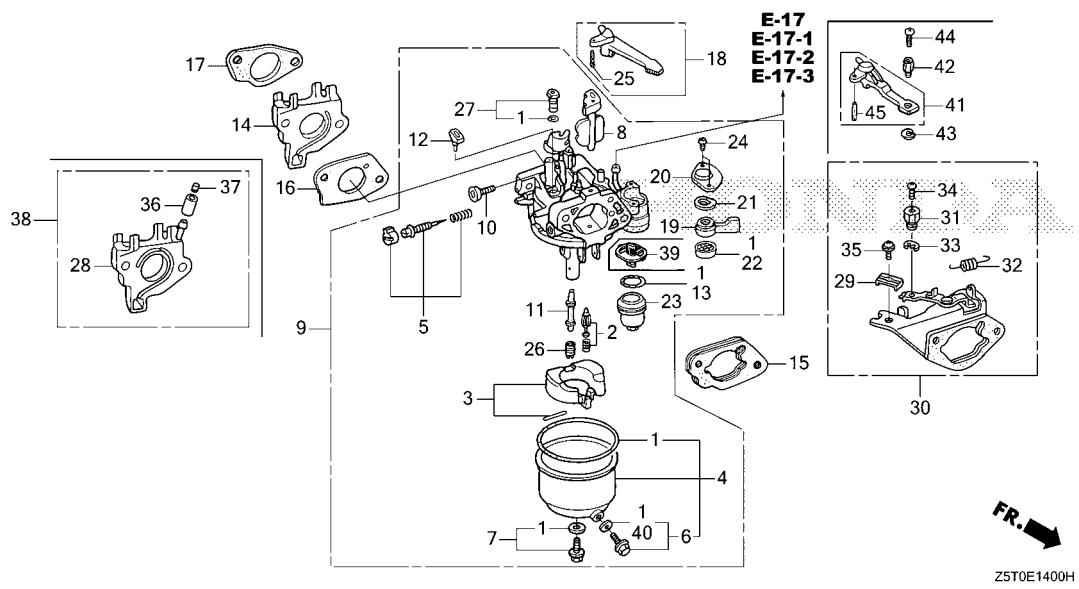
CARBURETOR(1)

Ref. No.	Part No.	Description	Reqd. QTY					Serial No.	Parts catalogue code
			GX 390 UT1	GX 390 UT2	GX 390 RT1	GX 390 RT2	GX 390 UT2X		
3	16013-Z1C-003	FLOAT SET	1	-	1	1	1	-----	HA2, LKE, LX2, LXE4, LXE5, LXE8, LXQ4, LXU, PA2, PAE2, PKT, PXD8, PXE8, PXM8, PXU, QA2, QA26, QA4, QAA2, QAA6, QAE2, QAE4, QAE6, QAGN, QAW, QC1, QC2, QC3, QC5, QC6, QC9, QCDW, QCE2, QCWT, QE, QHB4, QK4, QKA4, QMAH, QME0, QME2, QNB2, QNE2, QNE6, QNE8, QNGN, QNR2, QNR6, QNRV, QTT, QWA2, QWC, QWC4, QXAC, QXB7, QXB9, QXC4, QXC6, QXE4, QXE6, QXE7, QXE8, QXE9, QXEM, QXER, QXH9, QXQ4, QXS2, QXS4, QXU, QXUM, QXUZ, SC1, SCC, SCK4, SCM, SCM1, SCM3, SCMV, SDQ5, SE1C, SE2C, SHQ2, SHQ4, SHQ5, SHQ6, SM32, SMC1, SMC2, SMD3, SME0, SME6, SMES, SMX2, SNC, STC4, SWA2, SWA4, SXB7, SXB9, SXBG, SXE4, SXE8, SXEM, SXQ4, SXU, VA2, VAC2, VAG2, VCN2, VD2, VDE2, VK2, VKB2, VM2, VN27, VNG1, VSB9, VSD7, VSD9, VWC9, VWT4, VX8, VXB7, VXB9, VXE2, VXE6, VXE7, VXE8, VXE9, VXQ4
	16013-ZA0-931	1	-	-	-	-	-----	QDW9, QWA4, QWT2, QXC9, QXCU
	16013-Z1C-003	-	1	-	-	-	-----	HA2, LKE, LX2, LXE4, LXE5, LXE8, LXQ4, LXU, PA2, PAE2, PKT, PXD8, PXE8, PXU, QA2, QA26, QA4, QAA2, QAA6, QAE2, QAE4, QAE6, QC1, QC2, QC3, QC4, QC5, QC6, QC9, QCDW, QCE2, QCWT, QDW9, QE, QHB4, QK4, QKA4, QMAH, QME0, QNE2, QNE8, QNR2, QNR6, QNRV, QWA4, QWC, QWC4, QWT2, QXAC, QXB7, QXB9, QXC4, QXC6, QXC9, QXCU, QXE4, QXE6, QXE7, QXE8, QXE9, QXEM, QXER, QXQ4, QXS4, QXU, QXUM, QXUZ, SC1, SCC, SCK4, SCM, SCM1, SCM2, SCM3, SHQ4, SHQ5, SHQ6, SM32, SMC1, SMD3, SME0, SME6, SMSC, SMX2, SMXC, SNC, STC4, SWA4, SXB7, SXBG, SXE4, SXE8, SXEM, SXQ4, SXU, VA2, VM2, VN27, VSB9, VSD7, VSD9, VX8, VXB7, VXB9, VXE2, VXE7, VXE8, VXE9, VXQ4
4	16015-ZE8-005	CHAMBER SET, FLOAT	1	-	1	-	-	-----	HA2, LKE, LX2, LXE4, LXE5, LXE8, LXQ4, LXU, PA2, PAE2, PKT, PXD8, PXE8, PXU, QA2, QA26, QA4, QAA2, QAA6, QAE2, QAE4, QAE6, QAW, QC2, QDW9, QE, QHB4, QK4, QKA4, QME0, QME2, QNB2, QNE2, QNE6, QNE8, QNR2, QNR6, QTT, QWA2, QWA4, QWC4, QWT2, QXB7, QXB9, QXC4, QXC6, QXC9, QXCU, QXE4, QXE6, QXE7, QXE8, QXE9, QXER, QXH9, QXQ4, QXS2, QXS4, QXU, QXUZ, SCK4, SHQ2, SHQ4, SM32, SMC1, SMC2, SMD3, SME0, SME6, SNC, STC4, SWA2, SWA4, SXB7, SXB9, SXE4, SXE8, SXQ4, SXU, VA2, VAC2, VAG2, VCN2, VD2, VDE2, VK2, VKB2, VM2, VN27, VNG1, VSD7, VSD9, VWC9, VWT4, VX8, VXB7, VXB9, VXE2, VXE6, VXE7, VXE8, VXE9, VXQ4
	16015-Z5T-901	-	1	-	1	1	-----	HA2, LKE, LX2, LXE4, LXE5, LXE8, LXQ4, LXU, PA2, PAE2, PKT, PXD8, PXE8, PXM8, PXU, QA2, QA26, QA4, QAA2, QAA6, QAE2, QAE4, QAE6, QAGN, QC1, QC2, QC3, QC4, QC5, QC6, QC9, QCDW, QCE2, QCWT, QDW9, QE, QHB4, QK4, QKA4, QMAH, QME0, QNB2, QNE2, QNE8, QNGN, QNR2, QNR6, QNRV, QTT, QWA2, QWA4, QWC, QWC4, QWT2, QXAC, QXB7, QXB9, QXC4, QXC6, QXC9, QXCU, QXE4, QXE6, QXE7, QXE8, QXE9, QXEM, QXER, QXQ4, QXS4, QXU, QXUM, QXUZ, SC1, SCC, SCK4, SCM, SCM1, SCM2, SCM3, SCMV, SDQ5, SE1C, SE2C, SHQ4, SHQ5, SHQ6, SM32, SMC1, SMD3, SME0, SME6, SMES, SMSC, SMX2, SMXC, SNC, STC4, SWA4, SXB7, SXBG, SXE4, SXE8, SXEM, SXQ4, SXU, VA2, VAG2, VDE2, VK2, VKB2, VM2, VN27, VSB9, VSD7, VSD9, VWC9, VWT4, VX8, VXB7, VXB9, VXE2, VXE6, VXE7, VXE8, VXE9, VXQ4
5	16016-ZH7-W01	SCREW SET, PILOT	1	-	1	-	-	-----	HA2, LKE, LX2, LXE4, LXE8, LXQ4, LXU, PA2, PAE2, PKT, PXD8, PXE8, PXU, QA2, QA26, QA4, QAA2, QAA6, QAE2, QAE4, QAE6, QAW, QC2, QDW9, QE, QHB4, QK4, QKA4, QME0, QME2, QNB2, QNE2, QNE6, QNE8, QNR2, QNR6, QTT, QWA2, QWA4, QWC4, QWT2, QXB7, QXB9, QXC4, QXC6, QXC9, QXCU, QXE4, QXE6, QXE7, QXE8, QXE9, QXER, QXH9, QXQ4, QXS2, QXS4, QXU, QXUZ, SCK4, SHQ2, SHQ4, SM32, SMC1, SMC2, SMD3, SME0, SME6, SNC, STC4, SWA2, SWA4, SXB7, SXB9, SXE4, SXE8, SXQ4, SXU, VA2, VAC2, VAG2, VCN2, VD2, VDE2, VK2, VKB2, VM2, VN27, VNG1, VSD7, VSD9, VWC9, VWT4, VX8, VXB7, VXB9, VXE2, VXE6, VXE7, VXE8, VXE9, VXQ4
	16016-ZDF-V01	SCREW SET	-	1	-	1	-	-----	QAGN, QNGN, QNRV, SMES, SXBG, VSB9



E-14

CARBURETOR(1)



Ref. No.	Part No.	Description	Reqd. QTY					Serial No.	Parts catalogue code
			GX 390 UT1	GX 390 UT2	GX 390 RT1	GX 390 RT2	GX 390 UT2X		
(5)	16016-ZH7-W01	SCREW SET, PILOT (CARBURETOR NO.)	-	1	-	1	-	BE88A A	HA2, LKE, LX2, LXE4, LXE5, LXE8, LXQ4, LXU, PA2, PAE2, PKT, PXD8, PXE8, PXU, QA2, QA4, QAA2, QAE2, QE, QHB4, QK4, QKA4, QMAH, QME0, QNE2, QNGN, QNR2, QWC, QXAC, QXB7, QXB9, QXE4, QXE6, QXE7, QXE8, QXE9, QXEM, QXER, QXQ4, QXU, QXUM, QXUZ, SCK4, SHQ4, SHQ5, SHQ6, SM32, SMC1, SME0, SME6, SMX2, STC4, SWA4, SXB7, SXE4, SXE8, SXEM, SXQ4, SXU
	„	„	-	1	-	1	-	BE88F A	VDE2, VN27, VSD9, VWC9, VX8, VXB7, VXB9, VXE2, VXE7, VXE8, VXE9
		„	-	1	-	-	1	-----	QA26, QAA6, QAE4, QAE6, QC1, QC2, QC3, QC4, QC5, QC6, QC9, QCDW, QCE2, QCWT, QDW9, QNE8, QNR6, QWA4, QWC4, QWT2, QXC4, QXC6, QXC9, QXCU, QXS4, SC1, SCC, SCM, SCM1, SCM2, SCM3, SCMV, SE1C, SE2C, SMSC, SMXC, SNC, VA2, VM2, VSD7, VXQ4
		„	-	1	-	-	-	BE88J A	SMD3
	16016-ZDF-V01	SCREW SET (CARBURETOR NO.)	-	1	-	-	-	BEC0A A	HA2, LKE, LX2, LXE4, LXE5, LXE8, LXQ4, LXU, PA2, PAE2, PKT, PXD8, PXE8, PXU, QA2, QA4, QAA2, QAE2, QE, QHB4, QK4, QKA4, QMAH, QME0, QNE2, QNR2, QWC, QXAC, QXB7, QXB9, QXE4, QXE6, QXE7, QXE8, QXE9, QXEM, QXER, QXQ4, QXU, QXUM, QXUZ, SCK4, SHQ4, SHQ5, SHQ6, SM32, SMC1, SMD3, SME0, SME6, SMX2, STC4, SWA4, SXB7, SXE4, SXE8, SXEM, SXQ4, SXU, VN27, VSD9, VX8, VXB7, VXB9, VXE2, VXE7, VXE8, VXE9
		„	-	-	-	1	-	-----	QWA2, VAG2, VK2, VKB2
		„	-	-	-	1	-	BE88V A	VWT4
		„	-	-	-	1	-	BE88T A	PXM8, QNB2, QTT, SDQ5

E-14

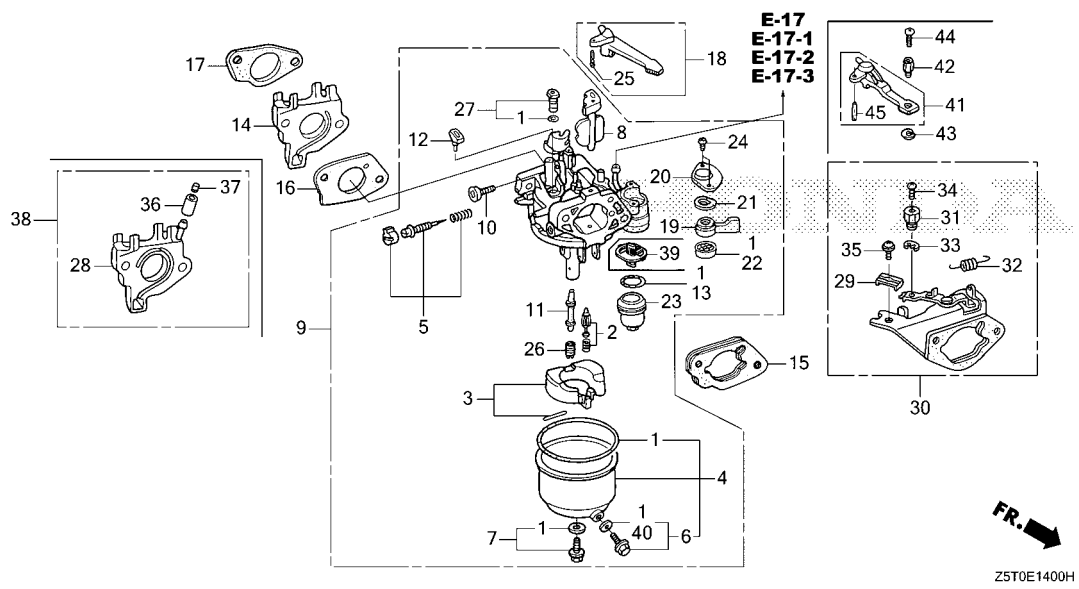
CARBURETOR(1)

Ref. No.	Part No.	Description	Reqd. QTY					Serial No.	Parts catalogue code
			GX 390 UT1	GX 390 UT2	GX 390 RT1	GX 390 RT2	GX 390 UT2X		
(5)	16016-ZDF-V01	SCREW SET (CARBURETOR NO.)	-	-	-	1	-	BE88T B -----	PXM8, QNB2, QTT, SDQ5, VDE2, VWC9, VWT4 HA2, LKE, LX2, LXE4, LXE5, LXE8, LXQ4, LXU, PA2, PAE2, PKT, PXD8 PXE8, PXU, QA2, QA4, QAA2, QAE2, QE, QHB4, QK4, QKA4, QMAH, QME0 QNE2, QNR2, QNRV, QWC, QXAC, QXB7, QXB9, QXE4, QXE6, QXE7, QXE8 QXE9, QXEM, QXER, QXQ4, QXU, QXUM, QXUZ, SCK4, SHQ4, SHQ5, SHQ6 SM32, SMC1, SMD3, SME0, SME6, SMX2, STC4, SWA4, SXB7, SXBG, SXE4 SXEM, SXQ4, VN27, VSB9, VSD9, VX8, VXB7, VXB9, VXE2, VXE7, VXE8 VXE9
6	16024-ZE1-811	SCREW SET, DRAIN	1	-	1	-	-	-----	HA2, LKE, LX2, LXE4, LXE8, LXQ4, LXU, PA2, PAE2, PXD8, PXE8, PXU, QA2 QA26, QA4, QAA2, QAA6, QAE2, QAE4, QAE6, QAW, QC2, QDW9, QE, QHB4 QK4, QKA4, QME0, QME2, QNB2, QNE2, QNE6, QNE8, QNR2, QNR6, QTT, QWA2 QWA4, QWC4, QWT2, QXB7, QXB9, QXC4, QXC6, QXC9, QXCU, QXE4, QXE6 QXE7, QXE8, QXE9, QXER, QXH9, QXQ4, QXS2, QXS4, QXU, QXUZ, SCK4 SHQ2, SHQ4, SM32, SMC1, SMC2, SMD3, SME0, SME6, SNC, STC4, SWA2 SWA4, SXB7, SXB9, SXE4, SXE8, SXQ4, SXU, VA2, VAC2, VAG2, VCN2, VD2 VDE2, VK2, VKB2, VM2, VN27, VNG1, VSD7, VSD9, VWC9, VWT4, VX8, VXB7 VXB9, VXE2, VXE6, VXE7, VXE8, VXE9, VXQ4
	16024-Z5T-901	-	1	-	1	1	-----	HA2, LKE, LX2, LXE4, LXE8, LXQ4, LXU, PA2, PAE2, PKT, PXD8 PXE8, PXM8, PXU, QA2, QA26, QA4, QAA2, QAA6, QAE2, QAE4, QAE6, QAGN QC1, QC2, QC3, QC4, QC5, QC6, QC9, QCDW, QCE2, QCWT, QDW9, QE, QHB4 QK4, QKA4, QMAH, QME0, QNB2, QNE2, QNE8, QNGN, QNR2, QNR6, QNRV, QTT QWA2, QWA4, QWC, QWC4, QWT2, QXAC, QXB7, QXB9, QXC4, QXC6, QXC9 QXCU, QXE4, QXE6, QXE7, QXE8, QXE9, QXEM, QXER, QXQ4, QXS4, QXU QXUM, QXUZ, SC1, SCC, SCK4, SCM, SCM1, SCM2, SCM3, SCMV, SDQ5, SE1C SE2C, SHQ4, SHQ5, SHQ6, SM32, SMC1, SMD3, SME0, SME6, SMES, SMSC SMX2, SMXC, SNC, STC4, SWA4, SXB7, SXBG, SXE4, SXE8, SXEM, SXQ4, SXU VA2, VAG2, VDE2, VK2, VKB2, VM2, VN27, VSB9, VSD7, VSD9, VWC9, VWT4 VX8, VXB7, VXB9, VXE2, VXE7, VXE8, VXE9, VXQ4
7	16028-ZE0-005	SCREW SET	1	-	1	-	-	-----	HA2, LKE, LX2, LXE4, LXE8, LXQ4, LXU, PA2, PAE2, PXD8, PXE8, PXU, QA2 QA26, QA4, QAA2, QAA6, QAE2, QAE4, QAE6, QAW, QC2, QDW9, QE, QHB4 QK4, QKA4, QME0, QME2, QNB2, QNE2, QNE6, QNE8, QNR2, QNR6, QTT, QWA2 QWA4, QWC4, QWT2, QXB7, QXB9, QXC4, QXC6, QXC9, QXCU, QXE4, QXE6 QXE7, QXE8, QXE9, QXER, QXH9, QXQ4, QXS2, QXS4, QXU, QXUZ, SCK4 SHQ2, SHQ4, SM32, SMC1, SMC2, SMD3, SME0, SME6, SNC, STC4, SWA2 SWA4, SXB7, SXB9, SXE4, SXE8, SXQ4, SXU, VA2, VAC2, VAG2, VCN2, VD2 VDE2, VK2, VKB2, VM2, VN27, VNG1, VSD7, VSD9, VWC9, VWT4, VX8, VXB7 VXB9, VXE2, VXE6, VXE7, VXE8, VXE9, VXQ4
	16028-Z5T-901	-	1	-	1	1	-----	HA2, LKE, LX2, LXE4, LXE5, LXE8, LXQ4, LXU, PA2, PAE2, PKT, PXD8 PXE8, PXM8, PXU, QA2, QA26, QA4, QAA2, QAA6, QAE2, QAE4, QAE6, QAGN QC1, QC2, QC3, QC4, QC5, QC6, QC9, QCDW, QCE2, QCWT, QDW9, QE, QHB4 QK4, QKA4, QMAH, QME0, QNB2, QNE2, QNE8, QNGN, QNR2, QNR6, QNRV, QTT QWA2, QWA4, QWC, QWC4, QWT2, QXAC, QXB7, QXB9, QXC4, QXC6, QXC9 QXCU, QXE4, QXE6, QXE7, QXE8, QXE9, QXEM, QXER, QXQ4, QXS4, QXU QXUM, QXUZ, SC1, SCC, SCK4, SCM, SCM1, SCM2, SCM3, SCMV, SDQ5, SE1C SE2C, SHQ4, SHQ5, SHQ6, SM32, SMC1, SMD3, SME0, SME6, SMES, SMSC SMX2, SMXC, SNC, STC4, SWA4, SXB7, SXBG, SXE4, SXE8, SXEM, SXQ4, SXU VA2, VAG2, VDE2, VK2, VKB2, VM2, VN27, VSB9, VSD7, VSD9, VWC9, VWT4 VX8, VXB7, VXB9, VXE2, VXE7, VXE8, VXE9, VXQ4



E-14

CARBURETOR(1)



Ref. No.	Part No.	Description	Reqd. QTY					Serial No.	Parts catalogue code
			GX 390 UT1	GX 390 UT2	GX 390 RT1	GX 390 RT2	GX 390 UT2X		
8	16044-ZE3-W20	CHOKE SET	1	-	1	-	-	HA2, LKE, LX2, LXE4, LXE8, LXQ4, LXU, PA2, PAE2, PXD8, PXE8, PXU, QA2, QA26, QA4, QAA2, QAA6, QAE2, QAE4, QAE6, QAW, QC2, QDW9, QE, QHB4, QK4, QKA4, QME0, QME2, QNB2, QNE2, QNE6, QNE8, QNR2, QNR6, QTT, QWA2, QWA4, QWC4, QWT2, QXB7, QXB9, QXC4, QXC6, QXC9, QXCU, QXE4, QXE6, QXE7, QXE8, QXE9, QXER, QXH9, QXQ4, QXS2, QXS4, QXU, QXUZ, SCK4, SHQ2, SHQ4, SM32, SMC1, SMC2, SMD3, SME0, SME6, SNC, STC4, SWA2, SWA4, SXB7, SXB9, SXE4, SXE8, SXQ4, SXU, VA2, VAC2, VAG2, VCN2, VD2, VDE2, VK2, VKB2, VM2, VN27, VNG1, VSD7, VSD9, VWC9, VWT4, VX8, VXB7, VXB9, VXE2, VXE6, VXE7, VXE8, VXE9, VXQ4	
	16044-Z5T-901	-	1	-	1	1	HA2, LKE, LX2, LXE4, LXE8, LXQ4, LXU, PA2, PAE2, PKT, PXD8, PXE8, PXM8, PXU, QA2, QA26, QA4, QAA2, QAA6, QAE2, QAE4, QAE6, QAGN, QC1, QC2, QC3, QC4, QC5, QC6, QC9, QCDW, QCE2, QCWT, QDW9, QE, QHB4, QK4, QKA4, QMAH, QME0, QNB2, QNE2, QNE8, QNGN, QNR2, QNR6, QNRV, QTT, QWA2, QWA4, QWC, QWC4, QWT2, QXAC, QXB7, QXB9, QXC4, QXC6, QXC9, QXCU, QXE4, QXE6, QXE7, QXE8, QXE9, QXEM, QXER, QXQ4, QXS4, QXU, QXUM, QXUZ, SC1, SCC, SCK4, SCM, SCM1, SCM2, SCM3, SCMV, SDQ5, SE1C, SE2C, SHQ4, SHQ5, SHQ6, SM32, SMC1, SMD3, SME0, SME6, SMES, SMSC, SMX2, SMXC, SNC, STC4, SWA4, SXB7, SXBG, SXE4, SXE8, SXEM, SXQ4, SXU, VA2, VAG2, VDE2, VK2, VKB2, VM2, VN27, VSB9, VSD7, VSD9, VWC9, VWT4, VX8, VXB7, VXB9, VXE2, VXE7, VXE8, VXE9, VXQ4	
9	16100-Z1C-V01	CARBURETOR ASSY.(BE85Q A)	1	-	1	-	-	HA2, LKE, LX2, LXE4, LXE8, LXQ4, LXU, PA2, PAE2, PXD8, PXE8, PXU, QA2, QA26, QA4, QAA2, QAA6, QAE2, QAE4, QAE6, QAW, QE, QHB4, QK4, QKA4, QME0, QME2, QNB2, QNE2, QNE6, QNE8, QNR2, QNR6, QTT, QWA2, QXB7, QXB9, QXE4, QXE6, QXE7, QXE8, QXE9, QXER, QXH9, QXQ4, QXU, QXUZ, SCK4, SHQ2, SHQ4, SM32, SMC1, SMC2, SME0, SME6, STC4, SWA2, SWA4, SXB7, SXB9, SXE4, SXE8, SXQ4, SXU	
	16100-Z5T-801	CARBURETOR ASSY.(BE85Z A)	1	-	1	-	-	SMD3, VWT4	
	16100-Z1C-V51	CARBURETOR ASSY.(BE85L A)	1	-	1	-	-	VA2, VAC2, VAG2, VCN2, VD2, VDE2, VK2, VKB2, VM2, VN27, VNG1, VSD7, VSD9, VWC9, VX8, VXB7, VXB9, VXE2, VXE6, VXE7, VXE8, VXE9, VXQ4	



E-14

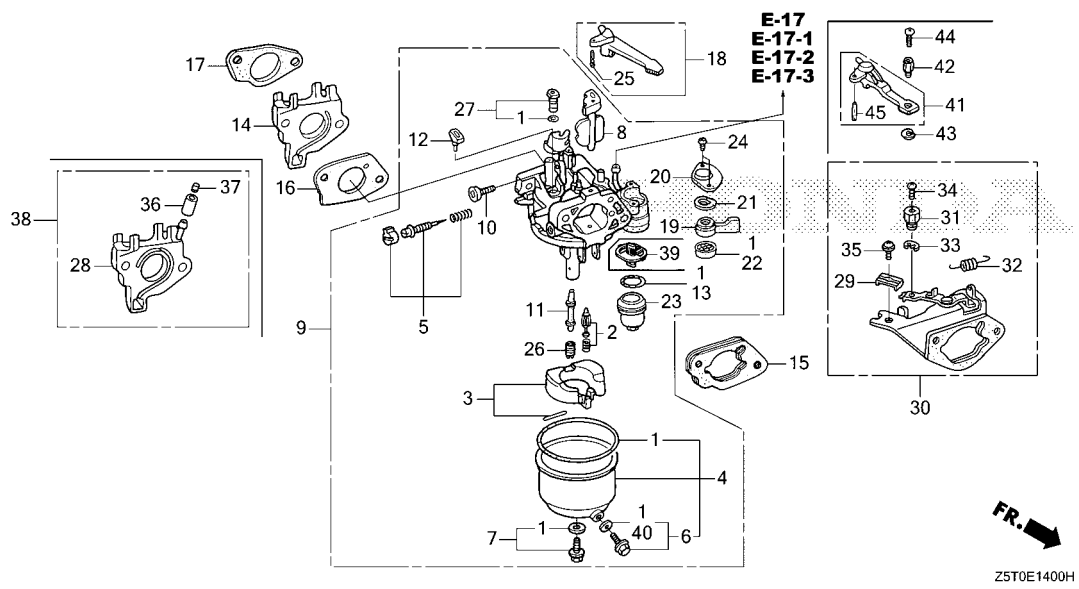
CARBURETOR(1)

Ref. No.	Part No.	Description	Reqd. QTY					Serial No.	Parts catalogue code
			GX 390 UT1	GX 390 UT2	GX 390 RT1	GX 390 RT2	GX 390 UT2X		
(9)	16100-Z5T-P81	CARBURETOR ASSY.(BE94B A)	1	-	-	-	-	QC2, QWC4, QXC6, QXS2, QXS4	
	16100-ZF6-V21	CARBURETOR ASSY.(BE85C B)	1	-	-	-	-	QDW9, QWA4, QWT2, QXC9, QXCU	
	16100-Z5T-811	CARBURETOR ASSY.(BE94A A)	1	-	-	-	-	QXC4, SNC	
	16100-Z5T-911	CARBURETOR ASSY.(BE88F A)	-	1	-	1	-	VA2, VAG2, VK2, VKB2, VM2, VSD7, VXQ4	
	16100-Z5T-901	CARBURETOR ASSY.(BE88A A)	-	1	-	1	2999999	HA2, LKE, LX2, LXE4, LXE5, LXE8, LXQ4, LXU, PA2, PAE2, PKT, PXD8 PXE8, PXU, QA2, QA4, QAA2, QAE2, QE, QHB4, QK4, QKA4, QME0, QNE2 QNGN, QNR2, QWC, QXAC, QXB7, QXB9, QXE4, QXE6, QXE7, QXE8, QXE9 QXEM, QXER, QXQ4, QXU, QXUM, QXUZ, SCK4, SHQ4, SHQ5, SHQ6, SM32 SMC1, SME0, SME6, SMX2, STC4, SWA4, SXB7, SXE4, SXE8, SXEM, SXQ4 SXU	
	16100-Z5T-911	CARBURETOR ASSY.(BE88F A)	-	1	-	1	2999999	VDE2, VN27, VSD9, VWC9, VX8, VXB7, VXB9, VXE2, VXE7, VXE8, VXE9	
	16100-Z5T-901	CARBURETOR ASSY.(BE88A A)	-	1	-	-	-	QA26, QAA6, QAE4, QAE6, QNE8, QNR6	
	16100-Z5T-P72	CARBURETOR ASSY.(BE94F A)	-	1	-	-	-	QC2, QDW9, QWA4, QWC4, QWT2, QXC6, QXC9, QXCU, QXS4, SMSC, SMXC	
	16100-Z5T-922	CARBURETOR ASSY.(BEC0A A)	-	1	-	-	-	QNRV, SXBG, VSB9	
	16100-Z5T-932	CARBURETOR ASSY.(BE94E A)	-	1	-	-	-	QXC4, SNC	
	16100-Z5T-WA1	CARBURETOR ASSY.(BEC0D A)	-	1	-	-	-	SCM3	
	16100-Z5T-781	CARBURETOR ASSY.(BE94J A)	-	1	-	-	2999999	QC1, QC3, QC4, QC5, QC6, QC9, QCDW, QCE2, QCWT, SC1, SCC, SCM, SCM1 SCM2	
	16100-Z5T-921	CARBURETOR ASSY.(BE88J A)	-	1	-	-	2999999	SMD3	
	16100-Z5T-901	CARBURETOR ASSY.(BE88A A)	-	1	-	-	3000048	QMAH	
	16100-Z5T-922	CARBURETOR ASSY.(BEC0A A)	-	1	-	-	3000001	HA2, LKE, LX2, LXE4, LXE5, LXE8, LXQ4, LXU, PA2, PAE2, PKT, PXD8 PXE8, PXU, QA2, QA4, QAA2, QAE2, QE, QHB4, QK4, QKA4, QME0, QNE2 QNR2, QWC, QXAC, QXB7, QXB9, QXE4, QXE6, QXE7, QXE8, QXE9, QXEM QXER, QXQ4, QXU, QXUM, QXUZ, SCK4, SHQ4, SHQ5, SHQ6, SM32, SMC1 SMD3, SME0, SME6, SMX2, STC4, SWA4, SXB7, SXE4, SXE8, SXEM, SXQ4 SXU, VN27, VSD9, VX8, VXB7, VXB9, VXE2, VXE7, VXE8, VXE9	
	16100-Z5T-WA1	CARBURETOR ASSY.(BEC0D A)	-	1	-	-	3000001	QC1, QC3, QC4, QC5, QC6, QC9, QCDW, QCE2, QCWT, SC1, SCC, SCM, SCM1 SCM2	
	16100-Z5T-922	CARBURETOR ASSY.(BEC0A A)	-	1	-	-	3000049	QMAH	
	16100-ZBH-832	CARBURETOR ASSY.(BE88T B)	-	-	-	1	-	QAGN, SMES	
	16100-Z5T-901	CARBURETOR ASSY.(BE88A A)	-	-	-	1	1549653	PXM8, QNB2, QTT, QWA2, SDQ5	
	16100-Z5T-921	CARBURETOR ASSY.(BE88J A)	-	-	-	1	1552429	VWT4	
	16100-ZBH-831	CARBURETOR ASSY.(BE88T A)	-	-	-	1	1549654	QWA2	
			-	-	-	1	1549654	2999999	PXM8, QNB2, QTT, SDQ5
	16100-ZBH-851	CARBURETOR ASSY.(BE88V A)	-	-	-	1	1552430	2999999	VWT4
	16100-ZBH-832	CARBURETOR ASSY.(BE88T B)	-	-	-	1	3000001	-	PXM8, QNB2, QTT, SDQ5, VDE2, VWC9, VWT4
	16100-Z5T-922	CARBURETOR ASSY.(BEC0A A)	-	-	-	1	3000001	3349841	QNGN
	16100-ZBH-832	CARBURETOR ASSY.(BE88T B)	-	-	-	1	3349842	-	QNGN
	16100-Z5T-922	CARBURETOR ASSY.(BEC0A A)	-	-	-	1	-	HA2, LKE, LX2, LXE4, LXE5, LXE8, LXQ4, LXU, PA2, PAE2, PKT, PXD8 PXE8, PXU, QA2, QA4, QAA2, QAE2, QE, QHB4, QK4, QKA4, QMAH, QME0 QNE2, QNR2, QNRV, QWC, QXAC, QXB7, QXB9, QXE4, QXE6, QXE7, QXE8 QXE9, QXEM, QXER, QXQ4, QXU, QXUM, QXUZ, SCK4, SHQ4, SHQ5, SHQ6 SM32, SMC1, SMD3, SME0, SME6, SMX2, STC4, SWA4, SXB7, SXBG, SXE4 SXEM, SXQ4, VN27, VSB9, VSD9, VX8, VXB7, VXB9, VXE2, VXE7, VXE8 VXE9	
	16100-Z5T-WA1	CARBURETOR ASSY.(BEC0D A)	-	-	-	-	1	-	QC1, QC3, QC5, QC6, QC9, QCDW, QCE2, QCWT, SC1, SCC, SCM, SCM1, SCM3 SCMV, SE1C, SE2C



E-14

CARBURETOR(1)



Ref. No.	Part No.	Description	Reqd. QTY					Serial No.	Parts catalogue code
			GX 390 UT1	GX 390 UT2	GX 390 RT1	GX 390 RT2	GX 390 UT2X		
10	16124-ZE0-005	SCREW, THROTTLE STOP.....	1	1	1	1	1	HA2, LKE, LX2, LXE4, LXE5, LXE8, LXQ4, LXU, PA2, PAE2, PKT, PXD8 PXE8, PXM8, PXU, QA2, QA26, QA4, QAA2, QAA6, QAE2, QAE4, QAE6, QAGN QAW, QC1, QC2, QC3, QC4, QC5, QC6, QC9, QCDW, QCE2, QCWT, QDW9, QE QHB4, QK4, QKA4, QMAH, QME0, QME2, QNB2, QNE2, QNE6, QNE8, QNGN QNR2, QNR6, QNRV, QTT, QWA2, QWA4, QWC, QWC4, QWT2, QXAC, QXB7, QXB9 QXC4, QXC6, QXC9, QXCU, QXE4, QXE6, QXE7, QXE8, QXE9, QXEM, QXER QXH9, QXQ4, QXS2, QXS4, QXU, QXUM, QXUZ, SC1, SCC, SCK4, SCM, SCM1 QXM2, SCM3, SCMV, SDQ5, SE1C, SE2C, SHQ2, SHQ4, SHQ5, SHQ6, SM32 SMC1, SMC2, SMD3, SME0, SME6, SMES, SMSC, SMX2, SMXC, SNC, STC4 SWA2, SWA4, SXB7, SXB9, SXBG, SXE4, SXE8, SXEM, SXQ4, SXU, VA2, VAC2 VAG2, VCN2, VD2, VDE2, VK2, VKB2, VM2, VN27, VNG1, VSB9, VSD7, VSD9 VWC9, VWT4, VX8, VXB7, VXB9, VXE2, VXE6, VXE7, VXE8, VXE9, VXQ4	
11	16166-ZF6-V00	NOZZLE, MAIN.....	1	-	1	-	-	HA2, LKE, LX2, LXE4, LXE8, LXQ4, LXU, PA2, PAE2, PXD8, PXE8, PXU, QA2 QA26, QA4, QAA2, QAA6, QAE2, QAE4, QAE6, QAW, QE, QHB4, QK4, QKA4 QME0, QME2, QNB2, QNE2, QNE6, QNE8, QNR2, QNR6, QTT, QWA2, QXB7 QXB9, QXE4, QXE6, QXE7, QXE8, QXE9, QXER, QXH9, QXQ4, QXU, QXUZ SCK4, SHQ2, SHQ4, SM32, SMC1, SMC2, SME0, SME6, STC4, SWA2, SWA4 SXB7, SXB9, SXE4, SXE8, SXQ4, SXU, VA2, VAC2, VAG2, VCN2, VD2, VDE2 VK2, VKB2, VM2, VN27, VNG1, VSD7, VSD9, VWC9, VX8, VXB7, VXB9, VXE2 VXE6, VXE7, VXE8, VXE9, VXQ4	
	16166-ZF6-W20	1	-	1	-	-	SMD3, VWT4	
	16166-ZF6-W10	1	-	-	-	-	QC2, QDW9, QWA4, QWC4, QWT2, QXC4, QXC6, QXC9, QXCU, QXS2, QXS4, SNC	
	16166-Z5T-901	-	1	-	1	-	QA26, QAA6, QAE4, QAE6, QNE8, QNR6, QWA2, VA2, VAG2, VK2, VKB2, VM2 VSD7, VXQ4	
	16166-Z5T-WC1	-	1	-	1	-	QAGN, QNRV, SMES, SXBG, VSB9	



E-14

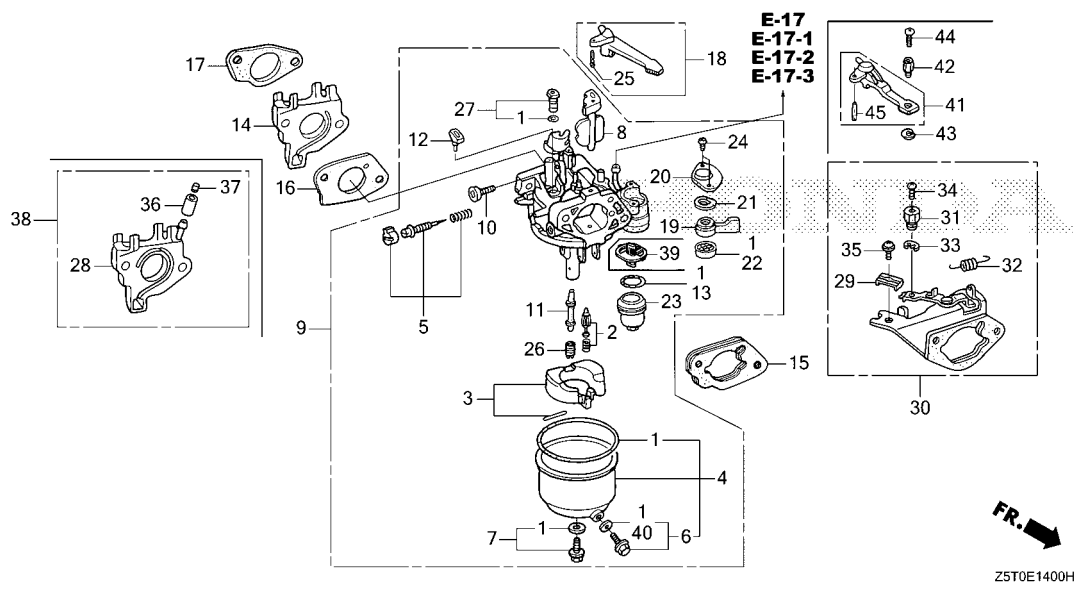
CARBURETOR(1)

Ref. No.	Part No.	Description	Reqd. QTY					Serial No.	Parts catalogue code
			GX 390 UT1	GX 390 UT2	GX 390 RT1	GX 390 RT2	GX 390 UT2X		
11)	16166-Z5T-901	NOZZLE, MAIN (CARBURETOR NO.)	-	1	-	1	-	----- BE88A A	HA2, LKE, LX2, LXE4, LXE5, LXE8, LXQ4, LXU, PA2, PAE2, PKT, PXD8, PXE8, PXU, QA2, QA4, QAA2, QAE2, QE, QHB4, QK4, QKA4, QMAH, QME0, QNE2, QNGN, QNR2, QWC, QXAC, QXB7, QXB9, QXE4, QXE6, QXE7, QXE8, QXE9, QXEM, QXER, QXQ4, QXU, QXUM, QXUZ, SCK4, SHQ4, SHQ5, SHQ6, SM32, SMC1, SME0, SME6, SMX2, STC4, SWA4, SXB7, SXE4, SXE8, SXEM, SXQ4, SXU
	16166-Z5T-WC1	'' (CARBURETOR NO.)	-	1	-	1	-	----- BE88F A	VDE2, VN27, VSD9, VWC9, VX8, VXB7, VXB9, VXE2, VXE7, VXE8, VXE9
	16166-Z5T-931	'' (CARBURETOR NO.)	-	1	-	-	-	----- BEC0A A	HA2, LKE, LX2, LXE4, LXE5, LXE8, LXQ4, LXU, PA2, PAE2, PKT, PXD8, PXE8, PXU, QA2, QA4, QAA2, QAE2, QE, QHB4, QK4, QKA4, QMAH, QME0, QNE2, QNGN, QNR2, QWC, QXAC, QXB7, QXB9, QXE4, QXE6, QXE7, QXE8, QXE9, QXEM, QXER, QXQ4, QXU, QXUM, QXUZ, SCK4, SHQ4, SHQ5, SHQ6, SM32, SMC1, SMD3, SME0, SME6, SMX2, STC4, SWA4, SXB7, SXE4, SXE8, SXEM, SXQ4, SXU, VN27, VSD9, VX8, VXB7, VXB9, VXE2, VXE7, VXE8, VXE9, QC2, QDW9, QWA4, QWC4, QWT2, QXC4, QXC6, QXC9, QXCU, QXS4, SMSC, SMXC, SNC
	16166-Z5T-WA1	'' (CARBURETOR NO.)	-	1	-	-	-	----- BE88J A	SMD3
	16166-Z5T-781	'' (CARBURETOR NO.)	-	1	-	-	-	----- BE94J A	QC1, QC3, QC4, QC5, QC6, QC9, QCDW, QCE2, QCWT, SC1, SCC, SCM, SCM1, SCM2
	16166-Z5T-WA1	'' (CARBURETOR NO.)	-	1	-	-	-	----- BEC0A A	QC1, QC3, QC4, QC5, QC6, QC9, QCDW, QCE2, QCWT, SC1, SCC, SCM, SCM1, SCM2
	16166-Z5T-901	'' (CARBURETOR NO.)	-	-	-	1	-	----- BE88V A	VWT4
	16166-Z5T-WC1	'' (CARBURETOR NO.)	-	-	-	1	-	----- BE88T A	PXM8, QNB2, QTT, SDQ5
	16166-Z5T-WA1	'' (CARBURETOR NO.)	-	-	-	1	-	----- BE88T B	PXM8, QNB2, QTT, SDQ5, VDE2, VWC9, VWT4
	16166-Z5T-WA1	'' (CARBURETOR NO.)	-	-	-	-	1	-----	HA2, LKE, LX2, LXE4, LXE5, LXE8, LXQ4, LXU, PA2, PAE2, PKT, PXD8, PXE8, PXU, QA2, QA4, QAA2, QAE2, QE, QHB4, QK4, QKA4, QMAH, QME0, QNE2, QNR2, QNRV, QWC, QXAC, QXB7, QXB9, QXE4, QXE6, QXE7, QXE8, QXE9, QXEM, QXER, QXQ4, QXU, QXUM, QXUZ, SCK4, SHQ4, SHQ5, SHQ6, SM32, SMC1, SMD3, SME0, SME6, SMX2, STC4, SWA4, SXB7, SXBG, SXE4, SXEM, SXQ4, VN27, VSB9, VSD9, VX8, VXB7, VXB9, VXE2, VXE7, VXE8, VXE9, QC1, QC3, QC5, QC6, QC9, QCDW, QCE2, QCWT, SC1, SCC, SCM, SCM1, SCM3, SCMV, SE1C, SE2C



E-14

CARBURETOR(1)



Ref. No.	Part No.	Description	Reqd. QTY					Serial No.	Parts catalogue code
			GX 390 UT1	GX 390 UT2	GX 390 RT1	GX 390 RT2	GX 390 UT2X		
12	16172-ZE3-W10	COLLAR, SETTING.....	1	-	1	-	-	HA2, LKE, LX2, LXE4, LXE8, LXQ4, LXU, PA2, PAE2, PXD8, PXE8, PXU, QA2, QA26, QA4, QAA2, QAA6, QAE2, QAE4, QAE6, QAW, QC2, QDW9, QE, QHB4, QK4, QKA4, QME0, QME2, QNB2, QNE2, QNE6, QNE8, QNR2, QNR6, QTT, QWA2, QWA4, QWC4, QWT2, QXB7, QXB9, QXC6, QXC9, QXCU, QXE4, QXE6, QXE7, QXE8, QXE9, QXER, QXH9, QXQ4, QXS2, QXS4, QXU, QXUZ, SCK4, SHQ2, SHQ4, SM32, SMC1, SMC2, SME0, SME6, STC4, SWA2, SWA4, SXB7, SXB9, SXE4, SXE8, SXQ4, SXU, VA2, VAC2, VAG2, VCN2, VD2, VDE2, VK2, VKB2, VM2, VN27, VNG1, VSD7, VSD9, VWC9, VX8, VXB7, VXB9, VXE2, VXE6, VXE7, VXE8, VXE9, VXQ4	
			-	1	-	-	1	HA2, LKE, LX2, LXE4, LXE5, LXE8, LXQ4, LXU, PA2, PAE2, PKT, PXD8, PXE8, PXU, QA2, QA26, QA4, QAA2, QAA6, QAE2, QAE4, QAE6, QC1, QC2, QC3, QC4, QC5, QC6, QC9, QCDW, QCE2, QCWT, QDW9, QE, QHB4, QK4, QKA4, QMAH, QME0, QNE2, QNE8, QNR2, QNR6, QNRV, QWA4, QWC, QWC4, QWT2, QXAC, QXB7, QXB9, QXC4, QXC6, QXC9, QXCU, QXE4, QXE6, QXE7, QXE8, QXE9, QXEM, QXER, QXQ4, QXS4, QXU, QXUM, QXUZ, SC1, SCC, SCK4, SCM, SCM1, SCM2, SCM3, SCMV, SE1C, SE2C, SHQ4, SHQ5, SHQ6, SM32, SMC1, SMD3, SME0, SME6, SMSC, SMX2, SMXC, SNC, STC4, SWA4, SXB7, SXBG, SXE4, SXE8, SXEM, SXQ4, SXU, VA2, VM2, VN27, VSB9, VSD7, VSD9, VX8, VXB7, VXB9, VXE2, VXE7, VXE8, VXE9, VXQ4	
			-	-	-	1	-	PXM8, QAGN, QNB2, QNGN, QTT, QWA2, SDQ5, SMES, VAG2, VDE2, VK2, VKB2, VWC9, VWT4	



E-14

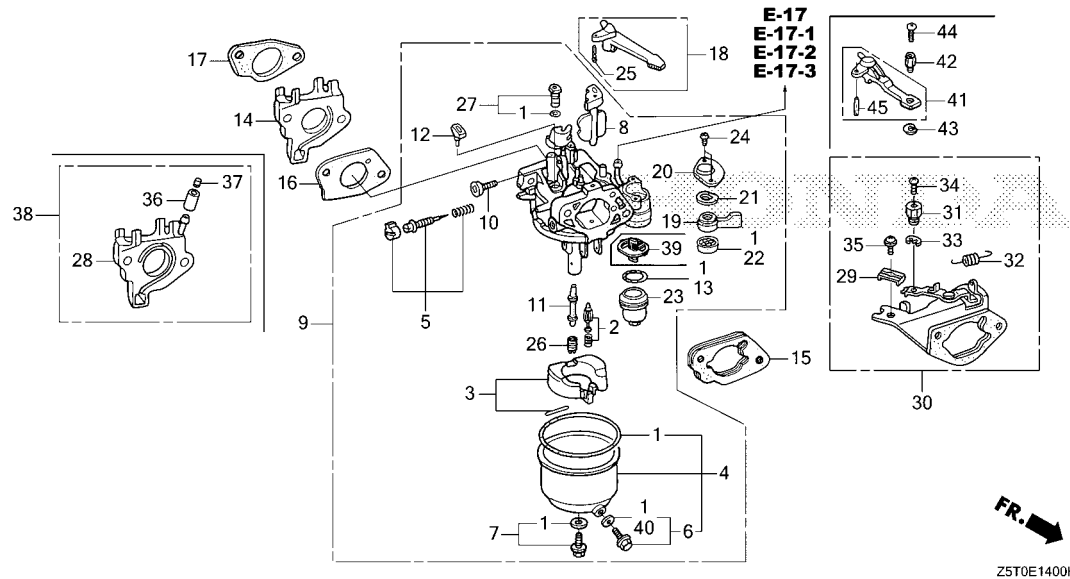
CARBURETOR(1)

Ref. No.	Part No.	Description	Reqd. QTY					Serial No.	Parts catalogue code
			GX 390 UT1	GX 390 UT2	GX 390 RT1	GX 390 RT2	GX 390 UT2X		
13	16173-001-004	O-RING	1	1	1	1	1	-----	HA2, LKE, LX2, LXE4, LXE5, LXE8, LXQ4, LXU, PA2, PAE2, PKT, PXD8, PXE8, PXM8, PXU, QA2, QA26, QA4, QAA2, QAA6, QAE2, QAE4, QAE6, QAGN, QAW, QC1, QC2, QC3, QC4, QC5, QC6, QC9, QCDW, QCE2, QCWT, QDW9, QE, QHB4, QK4, QKA4, QMAH, QME0, QME2, QNB2, QNE2, QNE6, QNE8, QNGN, QNR2, QNR6, QNRV, QTT, QWA2, QWA4, QWC, QWC4, QWT2, QXAC, QXB7, QXB9, QXC4, QXC6, QXC9, QXCU, QXE4, QXE6, QXE7, QXE8, QXE9, QXEM, QXER, QXH9, QXQ4, QXS2, QXS4, QXU, QXUM, QXUZ, SC1, SCC, SCK4, SCM, SCM1, SCM2, SCM3, SCMV, SDQ5, SE1C, SE2C, SHQ2, SHQ4, SHQ5, SHQ6, SM32, SMC1, SMC2, SMD3, SME0, SME6, SMES, SMSC, SMX2, SMXC, SNC, STC4, SWA2, SWA4, SXB7, SXB9, SXBG, SXE4, SXE8, SXEM, SXQ4, SXU, VA2, VAC2, VAG2, VCN2, VD2, VDE2, VK2, VKB2, VM2, VN27, VNG1, VSB9, VSD7, VSD9, VWC9, VWT4, VX8, VXB7, VXB9, VXE2, VXE6, VXE7, VXE8, VXE9, VXQ4
14	16211-ZF6-000	INSULATOR, CARBURETOR	1	-	1	-	-	-----	HA2, LKE, LX2, LXE4, LXE8, LXQ4, LXU, PA2, PAE2, PKT, PXD8, PXE8, PXU, QA2, QA26, QA4, QAA2, QAA6, QAE2, QAE4, QAE6, QAW, QC2, QDW9, QE, QHB4, QK4, QKA4, QME0, QME2, QNB2, QNE2, QNE6, QNE8, QNR2, QNR6, QTT, QWA2, QWA4, QWC4, QWT2, QXB7, QXB9, QXC4, QXC6, QXC9, QXCU, QXE4, QXE6, QXE7, QXE8, QXE9, QXER, QXH9, QXQ4, QXS2, QXS4, QXU, QXUZ, SCK4, SHQ2, SHQ4, SM32, SMC1, SMC2, SMD3, SME0, SME6, SNC, STC4, SWA2, SWA4, SXB7, SXB9, SXE4, SXE8, SXQ4, SXU, VA2, VAC2, VAG2, VCN2, VD2, VDE2, VKB2, VM2, VN27, VNG1, VSD7, VSD9, VWC9, VWT4, VX8, VXB7, VXB9, VXE2, VXE6, VXE7, VXE8, VXE9, VXQ4
	16211-Z5T-000	-	1	-	1	1	-----	HA2, LKE, LX2, LXE4, LXE5, LXE8, LXQ4, LXU, PA2, PAE2, PKT, PXD8, PXE8, PXM8, PXU, QA2, QA26, QA4, QAA2, QAA6, QAE2, QAE4, QAE6, QAGN, QC1, QC2, QC3, QC4, QC5, QC6, QC9, QCDW, QCE2, QCWT, QDW9, QE, QHB4, QK4, QKA4, QMAH, QME0, QNB2, QNE2, QNE8, QNGN, QNR2, QNR6, QNRV, QTT, QWA2, QWA4, QWC, QWC4, QWT2, QXAC, QXB7, QXB9, QXC4, QXC6, QXC9, QXCU, QXE4, QXE6, QXE7, QXE8, QXE9, QXEM, QXER, QXQ4, QXS4, QXU, QXUM, QXUZ, SC1, SCC, SCK4, SCM, SCM1, SCM2, SCM3, SCMV, SDQ5, SE1C, SE2C, SHQ4, SHQ5, SHQ6, SM32, SMC1, SMD3, SME0, SME6, SMES, SMSC, SMX2, SMXC, SNC, STC4, SWA4, SXB7, SXBG, SXE4, SXE8, SXEM, SXQ4, SXU, VA2, VAG2, VDE2, VKB2, VM2, VN27, VSB9, VSD7, VSD9, VWC9, VWT4, VX8, VXB7, VXB9, VXE2, VXE7, VXE8, VXE9, VXQ4
15	16220-ZA0-702	SPACER COMP., CARBURETOR	1	1	1	1	1	-----	HA2, LX2, LXE4, LXE5, LXE8, LXQ4, LXU, PA2, PAE2, PKT, PXD8, PXE8, PXM8, PXU, QA2, QA26, QA4, QAA2, QAA6, QAE2, QAE4, QAE6, QAGN, QAW, QC1, QC2, QC3, QC4, QC5, QC6, QC9, QCDW, QCE2, QCWT, QDW9, QE, QHB4, QK4, QKA4, QMAH, QME0, QME2, QNE2, QNE6, QNE8, QNGN, QNR2, QNR6, QNRV, QTT, QWA2, QWA4, QWC, QWC4, QWT2, QXAC, QXB7, QXB9, QXC4, QXC6, QXC9, QXCU, QXE4, QXE6, QXE7, QXE8, QXE9, QXEM, QXER, QXH9, QXQ4, QXS2, QXS4, QXU, QXUM, QXUZ, SC1, SCC, SCK4, SCM, SCM1, SCM2, SCM3, SCMV, SDQ5, SE1C, SE2C, SHQ2, SHQ4, SHQ5, SHQ6, SM32, SMC1, SMC2, SMD3, SME0, SME6, SMES, SMSC, SMX2, SMXC, SNC, STC4, SWA2, SWA4, SXB7, SXB9, SXBG, SXE4, SXE8, SXEM, SXQ4, SXU, VA2, VAC2, VAG2, VCN2, VD2, VDE2, VK2, VKB2, VM2, VN27, VNG1, VSB9, VSD7, VSD9, VWC9, VWT4, VX8, VXB7, VXB9, VXE2, VXE6, VXE7, VXE8, VXE9, VXQ4
16	16221-ZF6-800	PACKING, CARBURETOR	1	-	1	-	-	-----	HA2, LKE, LX2, LXE4, LXE8, LXQ4, LXU, PA2, PAE2, PKT, PXD8, PXE8, PXU, QA2, QA26, QA4, QAA2, QAA6, QAE2, QAE4, QAE6, QAW, QC2, QDW9, QE, QK4, QKA4, QME0, QME2, QNB2, QNE2, QNE6, QNE8, QNR2, QNR6, QTT, QWA2, QWA4, QWC4, QWT2, QXB7, QXB9, QXC4, QXC6, QXC9, QXCU, QXE4, QXE6, QXE7, QXE8, QXE9, QXER, QXH9, QXQ4, QXS2, QXS4, QXU, QXUZ, SCK4, SHQ2, SHQ4, SM32, SMC1, SMC2, SMD3, SME0, SME6, SNC, STC4, SWA2, SWA4, SXB7, SXB9, SXE4, SXE8, SXQ4, SXU, VA2, VAC2, VAG2, VCN2, VD2, VDE2, VK2, VKB2, VM2, VN27, VNG1, VSD9, VWT4, VX8, VXB7, VXB9, VXE2, VXE6, VXE7, VXE8, VXE9, VXQ4



E-14

CARBURETOR(1)



Ref. No.	Part No.	Description	Reqd. QTY					Serial No.	Parts catalogue code
			GX 390 UT1	GX 390 UT2	GX 390 RT1	GX 390 RT2	GX 390 UT2X		
16)	16221-Z5T-000	PACKING, CARBURETOR.....	-	1	-	1	1	-----	HA2, LKE, LX2, LXE4, LXE5, LXE8, LXQ4, LXU, PA2, PAE2, PKT, PXD8, PXE8, PXM8, PXU, QA2, QA26, QA4, QAA2, QAA6, QAE2, QAE4, QAE6, QAGN, QC1, QC2, QC3, QC4, QC5, QC6, QC9, QCDW, QCE2, QCWT, QDW9, QE, QHB4, QK4, QKA4, QMAH, QME0, QNB2, QNE2, QNE8, QNGN, QNR2, QNR6, QNRV, QTT, QWA2, QWA4, QWC, QWC4, QWT2, QXAC, QXB7, QXB9, QXC4, QXC6, QXC9, QXCU, QXE4, QXE6, QXE7, QXE8, QXE9, QXEM, QXER, QXQ4, QXS4, QXU, QXUM, QXUZ, SC1, SCC, SCK4, SCM, SCM1, SCM2, SCM3, SCMV, SDQ5, SE1C, SE2C, SHQ4, SHQ5, SHQ6, SM32, SMC1, SMD3, SME0, SME6, SMES, SMSC, SMX2, SMXC, SNC, STC4, SWA4, SXB7, SXBG, SXE4, SXE8, SXEM, SXQ4, SXU, VA2, VAG2, VDE2, VK2, VKB2, VM2, VN27, VSB9, VSD7, VSD9, VWC9, VWT4, VX8, VXB7, VXB9, VXE2, VXE7, VXE8, VXE9, VXQ4
17	16223-ZE3-W00	PACKING, INSULATOR.....	1	-	1	-	-	-----	HA2, LKE, LX2, LXE4, LXE8, LXQ4, LXU, PA2, PAE2, PKT, PXE8, PXU, QA2, QA26, QA4, QAA2, QAA6, QAE2, QAE4, QAE6, QAW, QC2, QDW9, QE, QK4, QKA4, QME0, QME2, QNB2, QNE2, QNE6, QNE8, QNR2, QNR6, QTT, QWA2, QWA4, QWC4, QWT2, QXB7, QXB9, QXC4, QXC6, QXC9, QXCU, QXE4, QXE6, QXE7, QXE8, QXE9, QXER, QXH9, QXQ4, QXS2, QXS4, QXU, QXUZ, SCK4, SHQ2, SHQ4, SM32, SMC1, SMC2, SMD3, SME0, SME6, SNC, STC4, SWA2, SWA4, SXB7, SXB9, SXE4, SXE8, SXQ4, SXU, VA2, VAC2, VAG2, VCN2, VD2, VDE2, VK2, VKB2, VM2, VN27, VNG1, VSD9, VWT4, VX8, VXB7, VXB9, VXE2, VXE6, VXE7, VXE8, VXE9, VXQ4



E-14

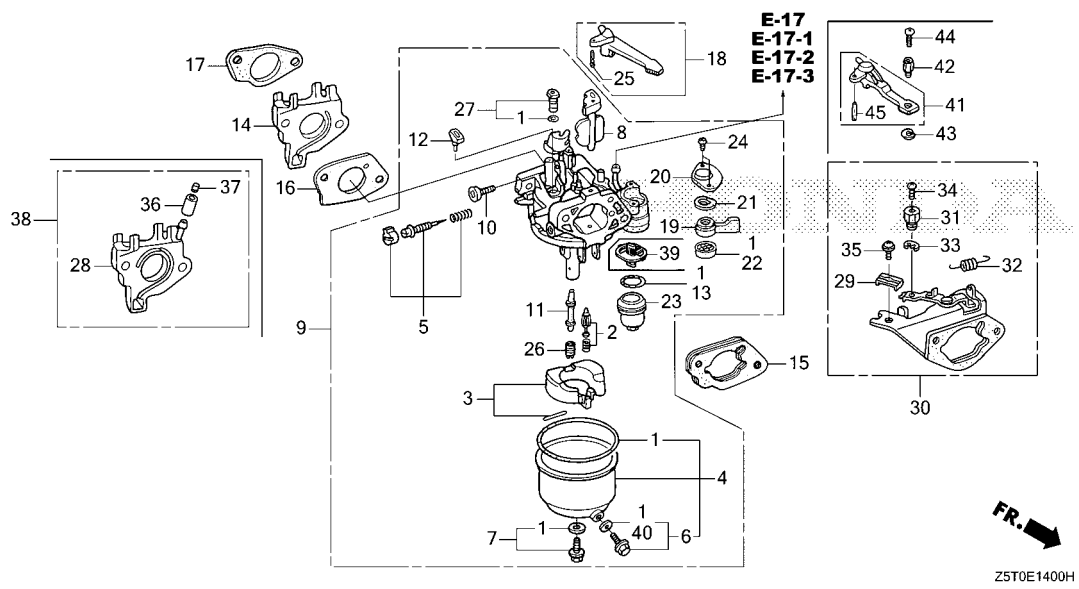
CARBURETOR(1)

Ref. No.	Part No.	Description	Reqd. QTY					Serial No.	Parts catalogue code
			GX 390 UT1	GX 390 UT2	GX 390 RT1	GX 390 RT2	GX 390 UT2X		
17)	16212-Z5T-000	PACKING, CARBURETOR INSULATOR	-	1	-	1	1	-----	HA2, LKE, LX2, LXE4, LXE5, LXE8, LXQ4, LXU, PA2, PAE2, PKT, PXD8, PXE8, PXM8, PXU, QA2, QA26, QA4, QAA2, QAA6, QAE2, QAE4, QAE6, QAGN, QC1, QC2, QC3, QC4, QC5, QC6, QC9, QCDW, QCE2, QCWT, QDW9, QE, QHB4, QK4, QKA4, QMAH, QME0, QNB2, QNE2, QNE8, QNGN, QNR2, QNR6, QNRV, QTT, QWA2, QWA4, QWC, QWC4, QWT2, QXAC, QXB7, QXB9, QXC4, QXC6, QXC9, QXCU, QXE4, QXE6, QXE7, QXE8, QXE9, QXEM, QXER, QXQ4, QXS4, QXU, QXUM, QXUZ, SC1, SCC, SCK4, SCM, SCM1, SCM2, SCM3, SCMV, SDQ5, SE1C, SE2C, SHQ4, SHQ5, SHQ6, SM32, SMC1, SMD3, SME0, SME6, SMES, SMSC, SMX2, SMXC, SNC, STC4, SWA4, SXB7, SXBG, SXE4, SXE8, SXEM, SXQ4, SXU, VA2, VAG2, VDE2, VK2, VKB2, VM2, VN27, VSB9, VSD7, VSD9, VWC9, VWT4, VX8, VXB7, VXB9, VXE2, VXE7, VXE8, VXE9, VXQ4
18	16610-ZE1-000	LEVER COMP., CHOKE(STD.).....	1	1	1	1	1	-----	HA2, LX2, LXE4, LXE5, LXE8, LXQ4, LXU, PA2, PAE2, PKT, PXD8, PXE8, PXM8, PXU, QA2, QA26, QA4, QAA2, QAA6, QAE2, QAE4, QAE6, QAGN, QAW, QC1, QC2, QC3, QC4, QC5, QC6, QC9, QCDW, QCE2, QCWT, QDW9, QE, QHB4, QK4, QKA4, QMAH, QME0, QME2, QNE2, QNE6, QNE8, QNGN, QNR2, QNR6, QNRV, QTT, QWA2, QWA4, QWC, QWC4, QWT2, QXAC, QXB7, QXB9, QXC4, QXC6, QXC9, QXCU, QXE4, QXE6, QXE7, QXE8, QXE9, QXEM, QXER, QXH9, QXQ4, QXS2, QXS4, QXU, QXUM, QXUZ, SC1, SCK4, SCM, SCM1, SCM3, SCMV, SDQ5, SE1C, SHQ2, SHQ4, SHQ5, SHQ6, SM32, SMC1, SMC2, SMD3, SME0, SME6, SMES, SMSC, SMX2, SMXC, SNC, STC4, SWA2, SWA4, SXB7, SXB9, SXBG, SXE4, SXE8, SXEM, SXQ4, SXU, VA2, VAC2, VAG2, VCN2, VD2, VDE2, VK2, VKB2, VM2, VN27, VNG1, VSB9, VSD7, VSD9, VWC9, VWT4, VX8, VXB7, VXB9, VXE2, VXE6, VXE7, VXE8, VXE9, VXQ4
19	16953-ZE1-812	LEVER, COCK.....	1	1	1	1	1	-----	HA2, LKE, LX2, LXE4, LXE5, LXE8, LXQ4, LXU, PA2, PAE2, PKT, PXD8, PXE8, PXM8, PXU, QA2, QA26, QA4, QAA2, QAA6, QAE2, QAE4, QAE6, QAGN, QAW, QC1, QC2, QC3, QC4, QC5, QC6, QC9, QCDW, QCE2, QCWT, QDW9, QE, QHB4, QK4, QKA4, QMAH, QME0, QME2, QNB2, QNE2, QNE6, QNE8, QNGN, QNR2, QNR6, QNRV, QTT, QWA2, QWA4, QWC, QWC4, QWT2, QXAC, QXB7, QXB9, QXC4, QXC6, QXC9, QXCU, QXE4, QXE6, QXE7, QXE8, QXE9, QXEM, QXER, QXH9, QXQ4, QXS2, QXS4, QXU, QXUM, QXUZ, SC1, SCC, SCK4, SCM, SCM1, SCM2, SCM3, SCMV, SDQ5, SE1C, SE2C, SHQ2, SHQ4, SHQ5, SHQ6, SM32, SMC1, SMC2, SMD3, SME0, SME6, SMES, SMSC, SMX2, SMXC, SNC, STC4, SWA2, SWA4, SXB7, SXB9, SXBG, SXE4, SXE8, SXEM, SXQ4, SXU, VA2, VAC2, VAG2, VCN2, VD2, VDE2, VK2, VKB2, VM2, VN27, VNG1, VSB9, VSD7, VSD9, VWC9, VWT4, VX8, VXB7, VXB9, VXE2, VXE6, VXE7, VXE8, VXE9, VXQ4
20	16954-ZE1-812	PLATE, LEVER SETTING.....	1	1	1	1	1	-----	HA2, LKE, LX2, LXE4, LXE5, LXE8, LXQ4, LXU, PA2, PAE2, PKT, PXD8, PXE8, PXM8, PXU, QA2, QA26, QA4, QAA2, QAA6, QAE2, QAE4, QAE6, QAGN, QAW, QC1, QC2, QC3, QC4, QC5, QC6, QC9, QCDW, QCE2, QCWT, QDW9, QE, QHB4, QK4, QKA4, QMAH, QME0, QME2, QNB2, QNE2, QNE6, QNE8, QNGN, QNR2, QNR6, QNRV, QTT, QWA2, QWA4, QWC, QWC4, QWT2, QXAC, QXB7, QXB9, QXC4, QXC6, QXC9, QXCU, QXE4, QXE6, QXE7, QXE8, QXE9, QXEM, QXER, QXH9, QXQ4, QXS2, QXS4, QXU, QXUM, QXUZ, SC1, SCC, SCK4, SCM, SCM1, SCM2, SCM3, SCMV, SDQ5, SE1C, SE2C, SHQ2, SHQ4, SHQ5, SHQ6, SM32, SMC1, SMC2, SMD3, SME0, SME6, SMES, SMSC, SMX2, SMXC, SNC, STC4, SWA2, SWA4, SXB7, SXB9, SXBG, SXE4, SXE8, SXEM, SXQ4, SXU, VA2, VAC2, VAG2, VCN2, VD2, VDE2, VK2, VKB2, VM2, VN27, VNG1, VSB9, VSD7, VSD9, VWC9, VWT4, VX8, VXB7, VXB9, VXE2, VXE6, VXE7, VXE8, VXE9, VXQ4



E-14

CARBURETOR(1)



FR. →
Z5T0E1400H

Ref. No.	Part No.	Description	Reqd. QTY					Serial No.	Parts catalogue code
			GX 390 UT1	GX 390 UT2	GX 390 RT1	GX 390 RT2	GX 390 UT2X		
21	16956-ZE1-811	SPRING, COCK LEVER.....	1	1	1	1	1	-----	HA2, LKE, LX2, LXE4, LXE5, LXE8, LXQ4, LXU, PA2, PAE2, PKT, PXD8, PXE8, PXM8, PXU, QA2, QA26, QA4, QAA2, QAA6, QAE2, QAE4, QAE6, QAGN, QAW, QC1, QC2, QC3, QC4, QC5, QC6, QC9, QCDW, QCE2, QCWT, QDW9, QE, QHB4, QK4, QKA4, QMAH, QME0, QME2, QNB2, QNE2, QNE6, QNE8, QNGN, QNR2, QNR6, QNRV, QTT, QWA2, QWA4, QWC, QWC4, QWT2, QXAC, QXB7, QXB9, QXC4, QXC6, QXC9, QXC4, QXE4, QXE6, QXE7, QXE8, QXE9, QXEM, QXER, QXH9, QXQ4, QXS2, QXS4, QXU, QXUM, QXUZ, SC1, SCC, SCK4, SCM, SCM1, SCM2, SCM3, SCMV, SDQ5, SE1C, SE2C, SHQ2, SHQ4, SHQ5, SHQ6, SM32, SMC1, SMC2, SMD3, SME0, SME6, SMES, SMSC, SMX2, SMXC, SNC, STC4, SWA2, SWA4, SXB7, SXB9, SXBG, SXE4, SXE8, SXEM, SXQ4, SXU, VA2, VAC2, VAG2, VCN2, VD2, VDE2, VK2, VKB2, VM2, VN27, VNG1, VSB9, VSD7, VSD9, VWC9, VWT4, VX8, VXB7, VXB9, VXE2, VXE6, VXE7, VXE8, VXE9, VXQ4
22	16957-ZE1-812	PACKING, FUEL COCK.....	1	1	1	1	1	-----	HA2, LKE, LX2, LXE4, LXE5, LXE8, LXQ4, LXU, PA2, PAE2, PKT, PXD8, PXE8, PXM8, PXU, QA2, QA26, QA4, QAA2, QAA6, QAE2, QAE4, QAE6, QAGN, QAW, QC1, QC2, QC3, QC4, QC5, QC6, QC9, QCDW, QCE2, QCWT, QDW9, QE, QHB4, QK4, QKA4, QMAH, QME0, QME2, QNB2, QNE2, QNE6, QNE8, QNGN, QNR2, QNR6, QNRV, QTT, QWA2, QWA4, QWC, QWC4, QWT2, QXAC, QXB7, QXB9, QXC4, QXC6, QXC9, QXC4, QXE4, QXE6, QXE7, QXE8, QXE9, QXEM, QXER, QXH9, QXQ4, QXS2, QXS4, QXU, QXUM, QXUZ, SC1, SCC, SCK4, SCM, SCM1, SCM2, SCM3, SCMV, SDQ5, SE1C, SE2C, SHQ2, SHQ4, SHQ5, SHQ6, SM32, SMC1, SMC2, SMD3, SME0, SME6, SMES, SMSC, SMX2, SMXC, SNC, STC4, SWA2, SWA4, SXB7, SXB9, SXBG, SXE4, SXE8, SXEM, SXQ4, SXU, VA2, VAC2, VAG2, VCN2, VD2, VDE2, VK2, VKB2, VM2, VN27, VNG1, VSB9, VSD7, VSD9, VWC9, VWT4, VX8, VXB7, VXB9, VXE2, VXE6, VXE7, VXE8, VXE9, VXQ4

E-14

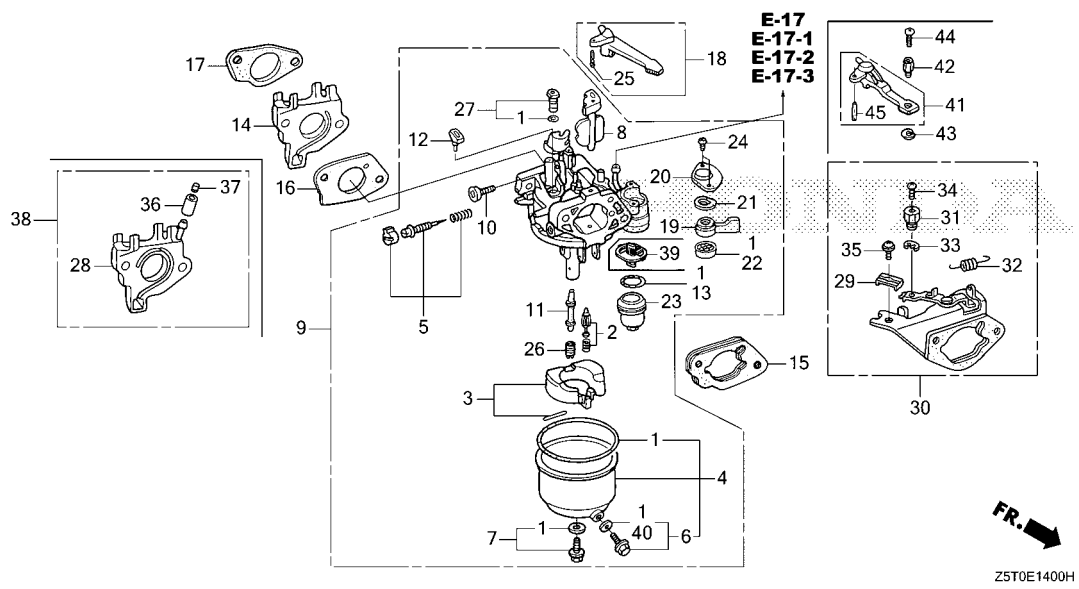
CARBURETOR(1)

Ref. No.	Part No.	Description	Reqd. QTY					Serial No.	Parts catalogue code
			GX 390 UT1	GX 390 UT2	GX 390 RT1	GX 390 RT2	GX 390 UT2X		
23	16967-ZE0-811	CUP, FUEL STRAINER	1	1	1	1	1	-----	HA2, LKE, LX2, LXE4, LXE5, LXE8, LXQ4, LXU, PA2, PAE2, PKT, PXD8, PXE8, PXM8, PXU, QA2, QA26, QA4, QAA2, QAA6, QAE2, QAE4, QAE6, QAGN, QAW, QC1, QC2, QC3, QC4, QC5, QC6, QC9, QCDW, QCE2, QCWT, QDW9, QE, QHB4, QK4, QKA4, QMAH, QME0, QME2, QNB2, QNE2, QNE6, QNE8, QNGN, QNR2, QNR6, QNRV, QTT, QWA2, QWA4, QWC, QWC4, QWT2, QXAC, QXB7, QXB9, QXC4, QXC6, QXC9, QXCU, QXE4, QXE6, QXE7, QXE8, QXE9, QXEM, QXER, QXH9, QXQ4, QXS2, QXS4, QXU, QXUM, QXUZ, SC1, SCC, SCK4, SCM, SCM1, SCM2, SCM3, SCMV, SDQ5, SE1C, SE2C, SHQ2, SHQ4, SHQ5, SHQ6, SM32, SMC1, SMC2, SMD3, SME0, SME6, SMES, SMSC, SMX2, SMXC, SNC, STC4, SWA2, SWA4, SXB7, SXB9, SXBG, SXE4, SXE8, SXEM, SXQ4, SXU, VA2, VAC2, VAG2, VCN2, VD2, VDE2, VK2, VKB2, VM2, VN27, VNG1, VSB9, VSD7, VSD9, VWC9, VWT4, VX8, VXB7, VXB9, VXE2, VXE6, VXE7, VXE8, VXE9, VXQ4
24	93500-03006-1H	SCREW, PAN, 3X6	2	2	2	2	2	-----	HA2, LKE, LX2, LXE4, LXE5, LXE8, LXQ4, LXU, PA2, PAE2, PKT, PXD8, PXE8, PXM8, PXU, QA2, QA26, QA4, QAA2, QAA6, QAE2, QAE4, QAE6, QAGN, QAW, QC1, QC2, QC3, QC4, QC5, QC6, QC9, QCDW, QCE2, QCWT, QDW9, QE, QHB4, QK4, QKA4, QMAH, QME0, QME2, QNB2, QNE2, QNE6, QNE8, QNGN, QNR2, QNR6, QNRV, QTT, QWA2, QWA4, QWC, QWC4, QWT2, QXAC, QXB7, QXB9, QXC4, QXC6, QXC9, QXCU, QXE4, QXE6, QXE7, QXE8, QXE9, QXEM, QXER, QXH9, QXQ4, QXS2, QXS4, QXU, QXUM, QXUZ, SC1, SCC, SCK4, SCM, SCM1, SCM2, SCM3, SCMV, SDQ5, SE1C, SE2C, SHQ2, SHQ4, SHQ5, SHQ6, SM32, SMC1, SMC2, SMD3, SME0, SME6, SMES, SMSC, SMX2, SMXC, SNC, STC4, SWA2, SWA4, SXB7, SXB9, SXBG, SXE4, SXE8, SXEM, SXQ4, SXU, VA2, VAC2, VAG2, VCN2, VD2, VDE2, VK2, VKB2, VM2, VN27, VNG1, VSB9, VSD7, VSD9, VWC9, VWT4, VX8, VXB7, VXB9, VXE2, VXE6, VXE7, VXE8, VXE9, VXQ4
25	94305-20122	PIN, SPRING, 2X12	1	1	1	1	1	-----	HA2, LX2, LXE4, LXE5, LXE8, LXQ4, LXU, PA2, PAE2, PKT, PXD8, PXE8, PXM8, PXU, QA2, QA26, QA4, QAA2, QAA6, QAE2, QAE4, QAE6, QAGN, QAW, QC1, QC2, QC3, QC4, QC5, QC6, QC9, QCDW, QCE2, QCWT, QDW9, QE, QHB4, QK4, QKA4, QMAH, QME0, QME2, QNE2, QNE6, QNE8, QNGN, QNR2, QNR6, QNRV, QTT, QWA2, QWA4, QWC, QWC4, QWT2, QXAC, QXB7, QXB9, QXC4, QXC6, QXC9, QXCU, QXE4, QXE6, QXE7, QXE8, QXE9, QXEM, QXER, QXH9, QXQ4, QXS2, QXS4, QXU, QXUM, QXUZ, SC1, SCK4, SCM, SCM1, SCM3, SCMV, SDQ5, SE1C, SHQ2, SHQ4, SHQ5, SHQ6, SM32, SMC1, SMC2, SMD3, SME0, SME6, SMES, SMSC, SMX2, SMXC, SNC, STC4, SWA2, SWA4, SXB7, SXB9, SXBG, SXE4, SXE8, SXEM, SXQ4, SXU, VA2, VAC2, VAG2, VCN2, VD2, VDE2, VK2, VKB2, VM2, VN27, VNG1, VSB9, VSD7, VSD9, VWC9, VWT4, VX8, VXB7, VXB9, VXE2, VXE6, VXE7, VXE8, VXE9, VXQ4
26	99101-ZH8-0880	JET, MAIN, #88	(1)	-	(1)	-	-	-----	HA2, LKE, LX2, LXE4, LXE8, LXQ4, LXU, PA2, PAE2, PKT, PXD8, PXE8, PXU, QA2, QA26, QA4, QAA2, QAA6, QAE2, QAE4, QAE6, QAW, QE, QHB4, QK4, QKA4, QME0, QME2, QNB2, QNE2, QNE6, QNE8, QNR2, QNR6, QTT, QWA2, QXB7, QXB9, QXE4, QXE6, QXE7, QXE8, QXE9, QXER, QXH9, QXQ4, QXU, QXUZ, SCK4, SHQ2, SHQ4, SM32, SMC1, SMC2, SME0, SME6, STC4, SWA2, SWA4, SXB7, SXB9, SXE4, SXE8, SXQ4, SXU
	99101-ZH8-0920	JET, MAIN, #92	1	-	1	-	-	-----	HA2, LKE, LX2, LXE4, LXE8, LXQ4, LXU, PA2, PAE2, PKT, PXD8, PXE8, PXU, QA2, QA26, QA4, QAA2, QAA6, QAE2, QAE4, QAE6, QAW, QE, QHB4, QK4, QKA4, QME0, QME2, QNB2, QNE2, QNE6, QNE8, QNR2, QNR6, QTT, QWA2, QXB7, QXB9, QXE4, QXE6, QXE7, QXE8, QXE9, QXER, QXH9, QXQ4, QXU, QXUZ, SCK4, SHQ2, SHQ4, SM32, SMC1, SMC2, SME0, SME6, STC4, SWA2, SWA4, SXB7, SXB9, SXE4, SXE8, SXQ4, SXU
	99101-ZH8-0900	JET, MAIN, #90	(1)	-	(1)	-	-	-----	HA2, LKE, LX2, LXE4, LXE8, LXQ4, LXU, PA2, PAE2, PKT, PXD8, PXE8, PXU, QA2, QA26, QA4, QAA2, QAA6, QAE2, QAE4, QAE6, QAW, QE, QHB4, QK4, QKA4, QME0, QME2, QNB2, QNE2, QNE6, QNE8, QNR2, QNR6, QTT, QWA2, QXB7, QXB9, QXE4, QXE6, QXE7, QXE8, QXE9, QXER, QXH9, QXQ4, QXU, QXUZ, SCK4, SHQ2, SHQ4, SM32, SMC1, SMC2, SME0, SME6, STC4, SWA2, SWA4, SXB7, SXB9, SXE4, SXE8, SXQ4, SXU, VA2, VAC2, VAG2, VCN2, VD2, VDE2, VK2, VKB2, VM2, VN27, VNG1, VSD7, VSD9, VWC9, VX8, VXB7, VXB9, VXE2, VXE6, VXE7, VXE8, VXE9, VXQ4



E-14

CARBURETOR(1)



Ref. No.	Part No.	Description	Reqd. QTY					Serial No.	Parts catalogue code
			GX 390 UT1	GX 390 UT2	GX 390 RT1	GX 390 RT2	GX 390 UT2X		
26)	99101-ZH8-0950	JET, MAIN, #95	(1)	-	(1)	-	-	QC2, QDW9, QWA4, QWC4, QWT2, QXC6, QXC9, QXCU, QXS2, QXS4, SMD3 VWT4	
	99101-ZH8-0980	JET, MAIN, #98	(1)	-	(1)	-	-	QC2, QDW9, QWA4, QWC4, QWT2, QXC6, QXC9, QXCU, QXS2, QXS4, SMD3 VWT4	
	99101-ZH8-1000	JET, MAIN, #100	1	-	1	-	-	QC2, QDW9, QWA4, QWC4, QWT2, QXC6, QXC9, QXCU, QXS2, QXS4, SMD3 VWT4	
	99101-ZH8-0920	JET, MAIN, #92	(1)	-	(1)	-	-	VA2, VAC2, VAG2, VCN2, VD2, VDE2, VK2, VKB2, VM2, VN27, VNG1, VSD7 VSD9, VWC9, VX8, VXB7, VXB9, VXE2, VXE6, VXE7, VXE8, VXE9, VXQ4	
	99101-ZH8-0950	JET, MAIN, #95	1	-	1	-	-	VA2, VAC2, VAG2, VCN2, VD2, VDE2, VK2, VKB2, VM2, VN27, VNG1, VSD7 VSD9, VWC9, VX8, VXB7, VXB9, VXE2, VXE6, VXE7, VXE8, VXE9, VXQ4	
	99101-ZH8-1100	JET, MAIN, #110	(1)	-	-	-	(1)	QC1, QC3, QC5, QC6, QC9, QCDW, QCE2, QCWT, QXC4, SC1, SCC, SCM, SCM1 SCM3, SCMV, SE1C, SE2C, SNC	
	99101-ZH8-1120	JET, MAIN, #112	(1)	-	-	-	(1)	QC1, QC3, QC5, QC6, QC9, QCDW, QCE2, QCWT, QXC4, SC1, SCC, SCM, SCM1 SCM3, SCMV, SE1C, SE2C, SNC	
	99101-ZH8-1150	JET, MAIN, #115	1	-	-	-	-	QXC4, SNC	
	99101-ZH8-1020	JET, MAIN, #102	-	(1)	-	(1)	(1)	HA2, LKE, LX2, LXE4, LXE5, LXE8, LXQ4, LXU, PA2, PAE2, PKT, PXD8 PXE8, PXM8, PXU, QA2, QA26, QA4, QAA2, QAA6, QAE2, QAE4, QAE6, QAGN QE, QHB4, QK4, QKA4, QMAH, QME0, QNB2, QNE2, QNE8, QNGN, QNR2, QNR6 QNRV, QTT, QWA2, QWC, QXAC, QXB7, QXB9, QXE4, QXE6, QXE7, QXE8, QXE9 QXEM, QXER, QXQ4, QXU, QXUM, QXUZ, SCK4, SDQ5, SHQ4, SHQ5, SHQ6 SM32, SMC1, SMD3, SME0, SME6, SME5, SMX2, STC4, SWA4, SXB7, SXBG SXE4, SXE8, SXEM, SXQ4, SXU, VA2, VAG2, VDE2, VK2, VKB2, VM2, VN27 VSB9, VSD7, VSD9, VWC9, VWT4, VX8, VXB7, VXB9, VXE2, VXE7, VXE8 VXE9, VXQ4	
	99101-ZH8-1050	JET, MAIN, #105	-	1	-	1	-	QA26, QAA6, QAE4, QAE6, QNE8, QNR6, QWA2, VA2, VAG2, VK2, VKB2, VM2 VSD7, VXQ4	
			-	(1)	-	(1)	-	QAGN, QC2, QDW9, QNRV, QWA4, QWC4, QWT2, QXC4, QXC6, QXC9, QXCU QXS4, SMES, SMSC, SMXC, SNC, SXBG, VSB9	



E-14

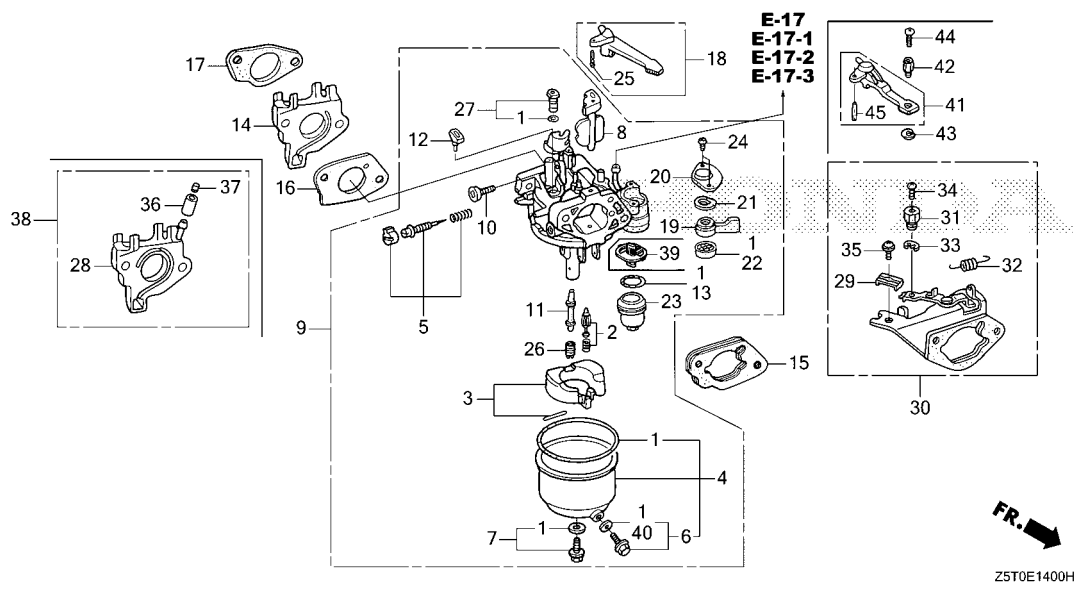
CARBURETOR(1)

Ref. No.	Part No.	Description	Reqd. QTY					Serial No.	Parts catalogue code
			GX 390 UT1	GX 390 UT2	GX 390 RT1	GX 390 RT2	GX 390 UT2X		
26)	99101-ZH8-1080	JET, MAIN, #108	-	1	-	1	-	-----	QAGN, QC2, QDW9, QNRV, QWA4, QWC4, QWT2, QXC4, QXC6, QXC9, QXCU QXS4, SMES, SMSC, SMXC, SNC, SXBG, VSB9
	99101-ZH8-0980	JET, MAIN, #98 (CARBURETOR NO.)	-	(1)	-	(1)	-	-----	BE88A A HA2, LKE, LX2, LXE4, LXE5, LXE8, LXQ4, LXU, PA2, PAE2, PKT, PXD8 PXE8, PXU, QA2, QA4, QAA2, QAE2, QE, QHB4, QK4, QKA4, QMAH, QME0 QNE2, QNGN, QNR2, QWC, QXAC, QXB7, QXB9, QXE4, QXE6, QXE7, QXE8 QXE9, QXEM, QXER, QXQ4, QXU, QXUM, QXUZ, SCK4, SHQ4, SHQ5, SHQ6 SM32, SMC1, SME0, SME6, SMX2, STC4, SWA4, SXB7, SXE4, SXE8, SXEM SXQ4, SXU
	99101-ZH8-1050	JET, MAIN, #105 (CARBURETOR NO.)	-	1	-	1	-	-----	BE88A A HA2, LKE, LX2, LXE4, LXE5, LXE8, LXQ4, LXU, PA2, PAE2, PKT, PXD8 PXE8, PXU, QA2, QA4, QAA2, QAE2, QE, QHB4, QK4, QKA4, QMAH, QME0 QNE2, QNGN, QNR2, QWC, QXAC, QXB7, QXB9, QXE4, QXE6, QXE7, QXE8 QXE9, QXEM, QXER, QXQ4, QXU, QXUM, QXUZ, SCK4, SHQ4, SHQ5, SHQ6 SM32, SMC1, SME0, SME6, SMX2, STC4, SWA4, SXB7, SXE4, SXE8, SXEM SXQ4, SXU
	99101-ZH8-0980	JET, MAIN, #98 (CARBURETOR NO.)	-	(1)	-	(1)	-	-----	BE88F A VDE2, VN27, VSD9, VWC9, VX8, VXB7, VXB9, VXE2, VXE7, VXE8, VXE9
	99101-ZH8-1050	JET, MAIN, #105 (CARBURETOR NO.)	-	1	-	1	-	-----	BE88F A VDE2, VN27, VSD9, VWC9, VX8, VXB7, VXB9, VXE2, VXE7, VXE8, VXE9
	99101-ZH8-1050	“ ”	-	(1)	-	(1)	-	-----	BEC0A A HA2, LKE, LX2, LXE4, LXE5, LXE8, LXQ4, LXU, PA2, PAE2, PKT, PXD8 PXE8, PXU, QA2, QA4, QAA2, QAE2, QE, QHB4, QK4, QKA4, QMAH, QME0 QNE2, QNGN, QNR2, QWC, QXAC, QXB7, QXB9, QXE4, QXE6, QXE7, QXE8 QXE9, QXEM, QXER, QXQ4, QXU, QXUM, QXUZ, SCK4, SHQ4, SHQ5, SHQ6 SM32, SMC1, SMD3, SME0, SME6, SMX2, STC4, SWA4, SXB7, SXE4, SXE8 SXEM, SXQ4, SXU, VN27, VSD9, VX8, VXB7, VXB9, VXE2, VXE7, VXE8, VXE9
	99101-ZH8-1080	JET, MAIN, #108 (CARBURETOR NO.)	-	1	-	1	-	-----	BEC0A A HA2, LKE, LX2, LXE4, LXE5, LXE8, LXQ4, LXU, PA2, PAE2, PKT, PXD8 PXE8, PXU, QA2, QA4, QAA2, QAE2, QE, QHB4, QK4, QKA4, QMAH, QME0 QNE2, QNGN, QNR2, QWC, QXAC, QXB7, QXB9, QXE4, QXE6, QXE7, QXE8 QXE9, QXEM, QXER, QXQ4, QXU, QXUM, QXUZ, SCK4, SHQ4, SHQ5, SHQ6 SM32, SMC1, SMD3, SME0, SME6, SMX2, STC4, SWA4, SXB7, SXE4, SXE8 SXEM, SXQ4, SXU, VN27, VSD9, VX8, VXB7, VXB9, VXE2, VXE7, VXE8, VXE9
	99101-ZH8-0980	JET, MAIN, #98	-	(1)	-	-	-	-----	QA26, QAA6, QAE4, QAE6, QNE8, QNR6, VA2, VM2, VSD7, VXQ4
	99101-ZH8-1100	JET, MAIN, #110	-	(1)	-	-	-	-----	QC1, QC3, QC4, QC5, QC6, QC9, QCDW, QCE2, QCWT, SC1, SCC, SCM, SCM1 SCM2, SCM3
	99101-ZH8-1120	JET, MAIN, #112	-	(1)	-	-	-	-----	QC1, QC3, QC4, QC5, QC6, QC9, QCDW, QCE2, QCWT, SC1, SCC, SCM, SCM1 SCM2, SCM3
	99101-ZH8-1000	JET, MAIN, #100	-	(1)	-	-	-	-----	QC2, QDW9, QWA4, QWC4, QWT2, QXC4, QXC6, QXC9, QXCU, QXS4, SMSC SMXC, SNC
	99101-ZH8-1150	JET, MAIN, #115	-	1	-	-	-	-----	SCM3
	99101-ZH8-0980	JET, MAIN, #98 (CARBURETOR NO.)	-	(1)	-	-	-	-----	BE88J A SMD3
	99101-ZH8-1050	JET, MAIN, #105 (CARBURETOR NO.)	-	1	-	-	-	-----	BE88J A SMD3
	99101-ZH8-1180	JET, MAIN, #118 (CARBURETOR NO.)	-	1	-	-	-	-----	BE94J A QC1, QC3, QC4, QC5, QC6, QC9, QCDW, QCE2, QCWT, SC1, SCC, SCM, SCM1 SCM2
	99101-ZH8-1150	JET, MAIN, #115 (CARBURETOR NO.)	-	1	-	-	-	-----	BEC0D A QC1, QC3, QC4, QC5, QC6, QC9, QCDW, QCE2, QCWT, SC1, SCC, SCM, SCM1 SCM2
	99101-ZH8-0980	JET, MAIN, #98	-	-	-	(1)	-	-----	QWA2, VAG2, VK2, VKB2
	99101-ZH8-1050	JET, MAIN, #105 (CARBURETOR NO.)	-	-	-	1	-	-----	BE88T A PXM8, QNB2, QTT, SDQ5
	99101-ZH8-0980	JET, MAIN, #98 (CARBURETOR NO.)	-	-	-	(1)	-	-----	BE88V A VWT4
	99101-ZH8-1050	JET, MAIN, #105 (CARBURETOR NO.)	-	-	-	1	-	-----	BE88V A VWT4



E-14

CARBURETOR(1)



Ref. No.	Part No.	Description	Reqd. QTY					Serial No.	Parts catalogue code
			GX 390 UT1	GX 390 UT2	GX 390 RT1	GX 390 RT2	GX 390 UT2X		
26)	99101-ZH8-0980	JET, MAIN, #98 (CARBURETOR NO.)	-	-	-	(1)	-	BE88T A PXM8,QNB2, QTT, SDQ5	
	99101-ZH8-1050	JET, MAIN, #105 (CARBURETOR NO.)	-	-	-	(1)	BE88T B	PXM8,QNB2, QTT, SDQ5, VDE2, VWC9, VWT4	
	99101-ZH8-1080	JET, MAIN, #108 (CARBURETOR NO.)	-	-	-	1	BE88T B	PXM8,QNB2, QTT, SDQ5, VDE2, VWC9, VWT4	
	99101-ZH8-1050	JET, MAIN, #105	-	-	-	(1)	-	HA2, LKE, LX2, LXE4, LXE5, LXE8, LXQ4, LXU, PA2, PAE2, PKT, PXD8 PXE8, PXU, QA2, QA4, QAA2, QAE2, QE, QHB4, QK4, QKA4, QMAH, QME0 QNE2, QNR2, QNRV, QWC, QXAC, QXB7, QXB9, QXE4, QXE6, QXE7, QXE8 QXE9, QXEM, QXER, QXQ4, QXU, QXUM, QXUZ, SCK4, SHQ4, SHQ5, SHQ6 SM32, SMC1, SMD3, SME0, SME6, SMX2, STC4, SWA4, SXB7, SXBG, SXE4 SXEM, SXQ4, VN27, VSB9, VSD9, VX8, VXB7, VXB9, VXE2, VXE7, VXE8 VXE9	
	99101-ZH8-1080	JET, MAIN, #108	-	-	-	1	-	HA2, LKE, LX2, LXE4, LXE5, LXE8, LXQ4, LXU, PA2, PAE2, PKT, PXD8 PXE8, PXU, QA2, QA4, QAA2, QAE2, QE, QHB4, QK4, QKA4, QMAH, QME0 QNE2, QNR2, QNRV, QWC, QXAC, QXB7, QXB9, QXE4, QXE6, QXE7, QXE8 QXE9, QXEM, QXER, QXQ4, QXU, QXUM, QXUZ, SCK4, SHQ4, SHQ5, SHQ6 SM32, SMC1, SMD3, SME0, SME6, SMX2, STC4, SWA4, SXB7, SXBG, SXE4 SXEM, SXQ4, VN27, VSB9, VSD9, VX8, VXB7, VXB9, VXE2, VXE7, VXE8 VXE9	
	99101-ZH8-1150	JET, MAIN, #115	-	-	-	1	-	QC1, QC3, QC5, QC6, QC9, QCDW, QCE2, QCWT, SC1, SCC, SCM, SCM1, SCM3 SCMV, SE1C, SE2C	



E-14

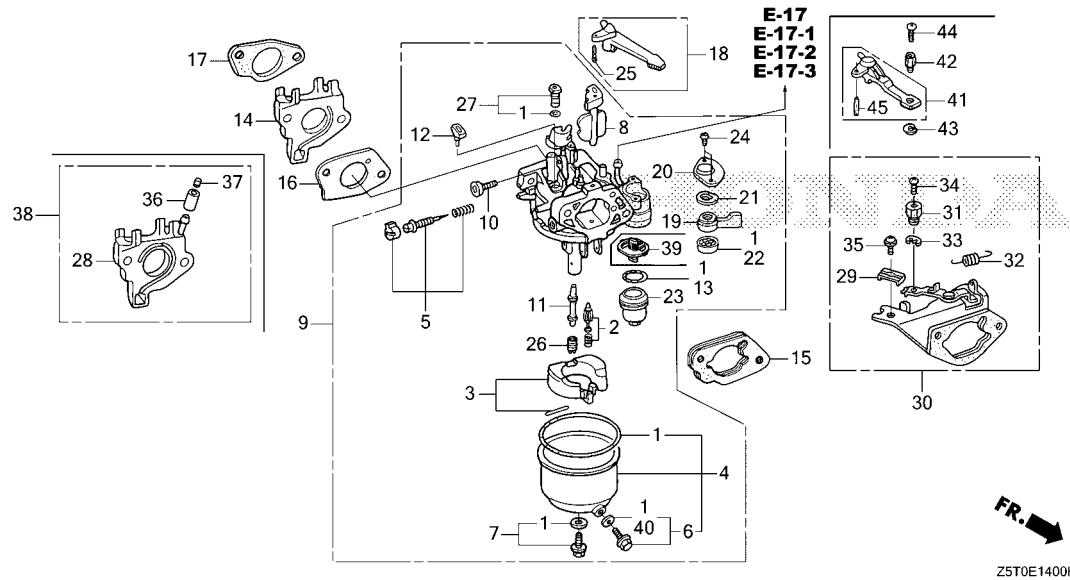
CARBURETOR(1)

Ref. No.	Part No.	Description	Reqd. QTY					Serial No.	Parts catalogue code
			GX 390 UT1	GX 390 UT2	GX 390 RT1	GX 390 RT2	GX 390 UT2X		
27	99204-ZA0-0450	JET SET, PILOT, #45	1	-	1	-	-	HA2, LKE, LX2, LXE4, LXE8, LXQ4, LXU, PA2, PAE2, PXD8, PXE8, PXU, QA2, QA26, QA4, QAA2, QAA6, QAE2, QAE4, QAE6, QAW, QC2, QDW9, QE, QHB4, QK4, QKA4, QME0, QME2, QNB2, QNE2, QNE6, QNE8, QNR2, QNR6, QTT, QWA2, QWA4, QWC4, QWT2, QXB7, QXB9, QXC6, QXC9, QXCU, QXE4, QXE6, QXE7, QXE8, QXE9, QXER, QXH9, QXQ4, QXS2, QXS4, QXU, QXUZ, SCK4, SHQ2, SHQ4, SM32, SMC1, SMC2, SME0, SME6, STC4, SWA2, SWA4, SXB7, SXB9, SXE4, SXE8, SXQ4, SXU, VA2, VAC2, VAG2, VCN2, VD2, VDE2, VK2, VKB2, VM2, VN27, VNG1, VSD7, VSD9, VWC9, VX8, VXB7, VXB9, VXE2, VXE6, VXE7, VXE8, VXE9, VXQ4	
	99204-ZA0-0400	JET SET, PILOT, #40	1	-	1	-	-	SMD3, VWT4	
	99204-ZE2-0400		1	-	-	1	-	QAGN, QXC4, SMES, SNC	
	99204-ZE0-0380	JET SET, PILOT, #38	-	1	-	1	-	QA26, QAA6, QAE4, QAE6, QNE8, QNR6, QWA2, VA2, VAG2, VK2, VKB2, VM2, VSD7, VXQ4	
		(CARBURETOR NO.)	-	1	-	1	-	BE88A A HA2, LKE, LX2, LXE4, LXE5, LXE8, LXQ4, LXU, PA2, PAE2, PKT, PXD8, PXE8, PXU, QA2, QA4, QAA2, QAE2, QE, QHB4, QK4, QKA4, QMAH, QME0, QNE2, QNGN, QNR2, QWC, QXAC, QXB7, QXB9, QXE4, QXE6, QXE7, QXE8, QXE9, QXEM, QXER, QXQ4, QXU, QXUM, QXUZ, SCK4, SHQ4, SHQ5, SHQ6, SM32, SMC1, SME0, SME6, SMX2, STC4, SWA4, SXB7, SXE4, SXE8, SXEM, SXQ4, SXU	
			-	1	-	1	-	BE88F A VDE2, VN27, VSD9, VWC9, VX8, VXB7, VXB9, VXE2, VXE7, VXE8, VXE9	
	99204-ZE2-0400	JET SET, PILOT, #40 (CARBURETOR NO.)	-	1	-	1	-	BEC0A A HA2, LKE, LX2, LXE4, LXE5, LXE8, LXQ4, LXU, PA2, PAE2, PKT, PXD8, PXE8, PXU, QA2, QA4, QAA2, QAE2, QE, QHB4, QK4, QKA4, QMAH, QME0, QNE2, QNGN, QNR2, QWC, QXAC, QXB7, QXB9, QXE4, QXE6, QXE7, QXE8, QXE9, QXEM, QXER, QXQ4, QXU, QXUM, QXUZ, SCK4, SHQ4, SHQ5, SHQ6, SM32, SMC1, SMD3, SME0, SME6, SMX2, STC4, SWA4, SXB7, SXE4, SXE8, SXEM, SXQ4, SXU, VN27, VSD9, VX8, VXB7, VXB9, VXE2, VXE7, VXE8, VXE9	
	99204-ZA0-0450	JET SET, PILOT, #45	-	1	-	-	-	QC2, QDW9, QWA4, QWC4, QWT2, QXC4, QXC6, QXC9, QXCU, QXS4, SMSC, SMXC, SNC	
	99204-ZE2-0400	JET SET, PILOT, #40	-	1	-	-	-	QNRV, SXBG, VSB9	
	99204-ZE0-0450	JET SET, PILOT, #45	-	1	-	-	-	SCM3	
	99204-ZE0-0380	JET SET, PILOT, #38 (CARBURETOR NO.)	-	1	-	-	-	BE88J A SMD3	
	99204-ZA0-0450	JET SET, PILOT, #45 (CARBURETOR NO.)	-	1	-	-	-	BE94J A QC1, QC3, QC4, QC5, QC6, QC9, QCDW, QCE2, QCWT, SC1, SCC, SCM, SCM1, SCM2	
	99204-ZE0-0450		-	1	-	-	-	BEC0D A QC1, QC3, QC4, QC5, QC6, QC9, QCDW, QCE2, QCWT, SC1, SCC, SCM, SCM1, SCM2	
	99204-ZE0-0380	JET SET, PILOT, #38 (CARBURETOR NO.)	-	-	-	1	-	BE88V A VWT4	
			-	-	-	1	-	BE88T A PXM8, QNB2, QTT, SDQ5	
	99204-ZE2-0400	JET SET, PILOT, #40 (CARBURETOR NO.)	-	-	-	1	-	BE88T B PXM8, QNB2, QTT, SDQ5, VDE2, VWC9, VWT4	
			-	-	-	-	1	HA2, LKE, LX2, LXE4, LXE5, LXE8, LXQ4, LXU, PA2, PAE2, PKT, PXD8, PXE8, PXU, QA2, QA4, QAA2, QAE2, QE, QHB4, QK4, QKA4, QMAH, QME0, QNE2, QNR2, QNRV, QWC, QXAC, QXB7, QXB9, QXE4, QXE6, QXE7, QXE8, QXE9, QXEM, QXER, QXQ4, QXU, QXUM, QXUZ, SCK4, SHQ4, SHQ5, SHQ6, SM32, SMC1, SMD3, SME0, SME6, SMX2, STC4, SWA4, SXB7, SXBG, SXE4, SXEM, SXQ4, VN27, VSB9, VSD9, VX8, VXB7, VXB9, VXE2, VXE7, VXE8, VXE9	
	99204-ZE0-0450	JET SET, PILOT, #45	-	-	-	-	1	QC1, QC3, QC5, QC6, QC9, QCDW, QCE2, QCWT, SC1, SCC, SCM, SCM1, SCM3, SCMV, SE1C, SE2C	
28	16211-ZF6-D40	INSULATOR, CARBURETOR	-	-	1	-	-	VK2	
	16211-ZBH-700		-	-	-	1	-	VK2	
29	16576-891-000	HOLDER, CABLE	1	1	1	1	1	LKE, QNB2	
30	16590-ZE2-812	STAY ASSY., CHOKE CONTROL (REMOTE)	1	1	1	1	1	LKE, QNB2	



E-14

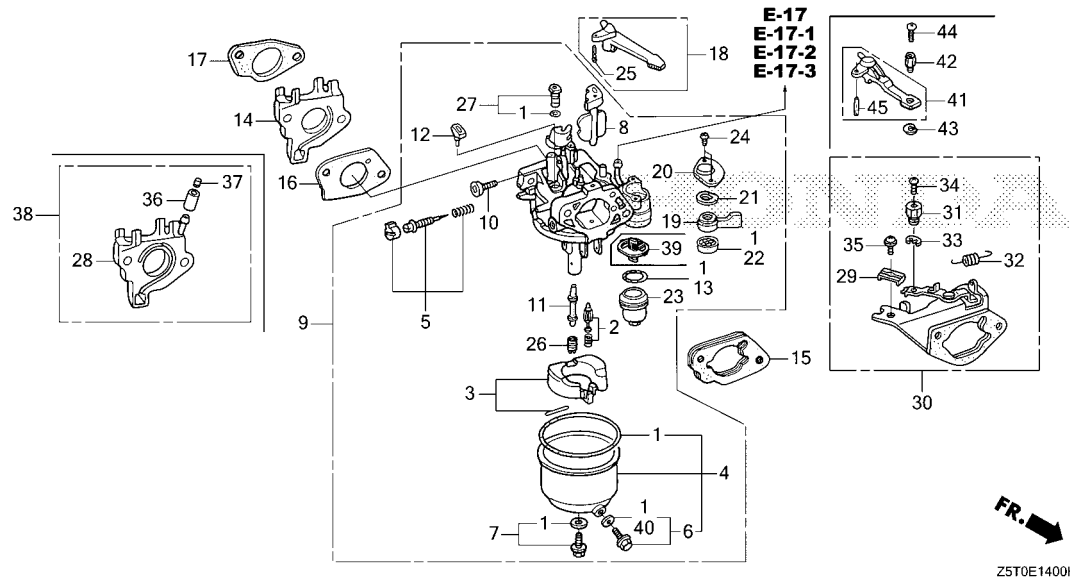
CARBURETOR(1)



Ref. No.	Part No.	Description	Reqd. QTY					Serial No.	Parts catalogue code
			GX 390 UT1	GX 390 UT2	GX 390 RT1	GX 390 RT2	GX 390 UT2X		
31	16594-883-010	HOLDER, WIRE	1	1	1	1	1	-----	LKE, QNB2
32	16615-ZE2-810	SPRING, RETURN	1	1	1	1	1	-----	LKE, QNB2
33	90605-230-000	CIRCLIP, 5MM	1	1	1	1	1	-----	LKE, QNB2
34	93500-04006-0H	SCREW, PAN, 4X6	1	1	1	1	1	-----	LKE, QNB2
35	93893-05016-00	SCREW-WASHER, 5X16	1	1	1	1	1	-----	LKE, QNB2
36	95001-35025-40	TUBE, FUEL, 3.5X25 (95001-35001-60M)	-	-	1	1	-	-----	VK2
37	96205-04005	PLUG, CONE TYPE, 4X5	-	-	1	1	-	-----	VK2
38	16210-ZBH-700	INSULATOR ASSY., CARBURETOR	-	-	-	1	-	-----	VK2
39	16959-Z5T-901	FILTER, CUP	-	1	-	1	1	-----	HA2, LKE, LX2, LXE4, LXE5, LXE8, LXQ4, LXU, PA2, PAE2, PKT, PXD8 PXE8, PXM8, PXU, QA2, QA26, QA4, QAA2, QAA6, QAE2, QAE4, QAE6, QAGN QC1, QC2, QC3, QC4, QC5, QC6, QC9, QCDW, QCE2, QCWT, QDW9, QE, QHB4 QK4, QKA4, QMAH, QME0, QNB2, QNE2, QNE8, QNGN, QNR2, QNR6, QNRV, QTT QWA2, QWA4, QWC, QWC4, QWT2, QXAC, QXB7, QXB9, QXC4, QXC6, QXC9 QXCU, QXE4, QXE6, QXE7, QXE8, QXE9, QXEM, QXER, QXQ4, QXS4, QXU QXUM, QXUZ, SC1, SCC, SCK4, SCM, SCM1, SCM2, SCM3, SCMV, SDQ5, SE1C SE2C, SHQ4, SHQ5, SHQ6, SM32, SMC1, SMD3, SME0, SME6, SMES, SMSC SMX2, SMXC, SNC, STC4, SWA4, SXB7, SXBG, SXE4, SXE8, SXEM, SXQ4, SXU VA2, VAG2, VDE2, VK2, VKB2, VM2, VN27, VSB9, VSD7, VSD9, VWC9, VWT4 VX8, VXB7, VXB9, VXE2, VXE7, VXE8, VXE9, VXQ4

E-14

CARBURETOR(1)

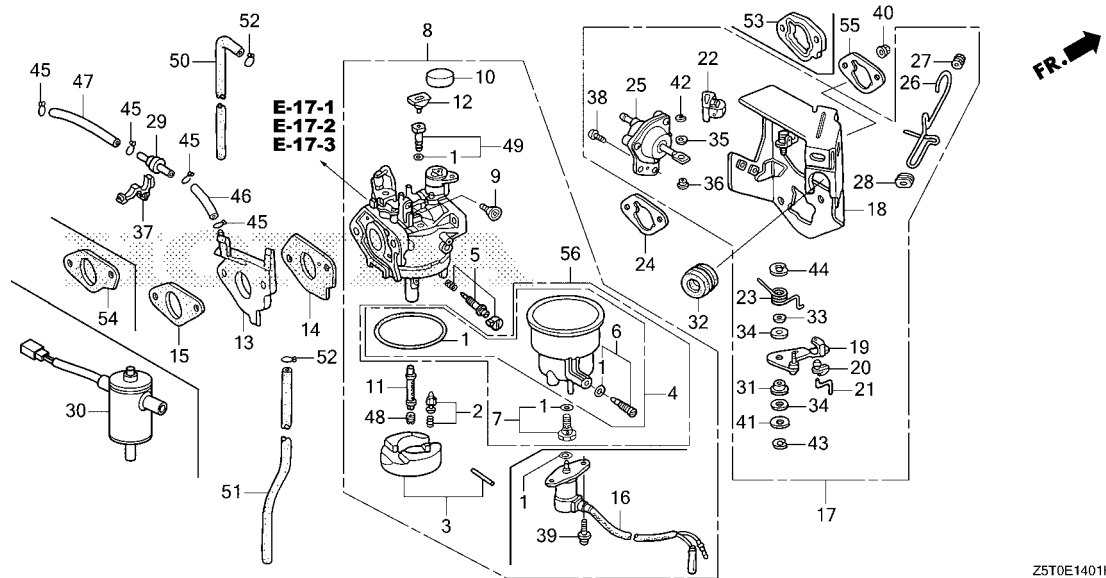


Ref. No.	Part No.	Description	Reqd. QTY					Serial No.	Parts catalogue code
			GX 390 UT1	GX 390 UT2	GX 390 RT1	GX 390 RT2	GX 390 UT2X		
40	16141-Z0S-003	WASHER, PLAIN(6.2X10.7 DRAIN)	-	1	-	1	1	HA2, LKE, LX2, LXE4, LXE5, LXE8, LXQ4, LXU, PA2, PAE2, PKT, PXD8 PXE8, PXM8, PXU, QA2, QA26, QA4, QAA2, QAA6, QAE2, QAE4, QAE6, QAGN QC1, QC2, QC3, QC4, QC5, QC6, QC9, QCDW, QCE2, QCWT, QDW9, QE, QHB4 QK4, QKA4, QMAH, QME0, QNB2, QNE2, QNE8, QNGN, QNR2, QNR6, QNRV, QTT QWA2, QWA4, QWC, QWC4, QWT2, QXAC, QXB7, QXB9, QXC4, QXC6, QXC9 QXCU, QXE4, QXE6, QXE7, QXE8, QXE9, QXEM, QXER, QXQ4, QXS4, QXU QXUM, QXUZ, SC1, SCC, SCK4, SCM, SCM1, SCM2, SCM3, SCMV, SDQ5, SE1C SE2C, SHQ4, SHQ5, SHQ6, SM32, SMC1, SMD3, SME0, SME6, SMES, SMSC SMX2, SMXC, SNC, STC4, SWA4, SXB7, SXBG, SXE4, SXE8, SXEM, SXQ4, SXU VA2, VAG2, VDE2, VK2, VKB2, VM2, VN27, VSB9, VSD7, VSD9, VWC9, VWT4 VX8, VXB7, VXB9, VXE2, VXE7, VXE8, VXE9, VXQ4	
41	16610-ZE1-810	LEVER COMP., CHOKE(REMOTE)...	-	1	-	-	1	SCC, SCM2, SE2C	
42	16617-890-010	HOLDER, CABLE	-	1	-	-	1	SCC, SCM2, SE2C	
43	90605-230-000	CIRCLIP, 5MM	-	1	-	-	1	SCC, SCM2, SE2C	
44	93500-04008-0A	SCREW, PAN, 4X8	-	1	-	-	1	SCC, SCM2, SE2C	
45	94305-20122	PIN, SPRING, 2X12	-	1	-	-	1	SCC, SCM2, SE2C	



E-14-1

CARBURETOR(2)



Z5T0E1401H

Ref. No. L.O.N. (Relative ref. Number) Description F.R.T.

Ref. No.	Part No.	Description	Reqd. QTY					Serial No.	Parts catalogue code
			GX 390 UT1	GX 390 UT2	GX 390 RT1	GX 390 RT2	GX 390 UT2X		
1	16010-ZE3-701	GASKET SET	1	1	1	1	1	----- ED6, EDD2, EDS6, EDT6, LFU, SXS6, VEP9, VKE4, VKER, VKX4, VKXR, VS49 VSD4, VWC, VWE, VWS, VWS1	
	16010-ZA0-921	1	-	1	-	-	----- VAA1, VAA8, VC2, VC2N, VPE5, VPE9, VPX2, VPX4, VPX9, VTH4, VXG	
	(CARBURETOR NO.)	-	-	-	1	-	----- VAA1, VCF, VPE5, VPX4, VXF, VXT	
	16010-Z1C-D21	(CARBURETOR NO.)	-	-	-	1	-	----- BE84D B VC2, VCT, VCT2, VPE9, VPX9, VXG	
	16010-ZA0-921	-	-	-	1	-	----- BE84D C VPP9	
	16010-ZA0-921	-	-	-	1	-	----- BE84D C BE84D C VC2, VCT, VCT2, VPE9, VPX9, VXG	
2	16011-ZA0-931	VALVE SET, FLOAT	1	1	1	1	1	----- ED6, EDD2, EDS6, EDT6, LFU, SXS6, VAA1, VAA8, VC2, VC2N, VCF, VCT VCT2, VEP9, VKE4, VKER, VKX4, VKXR, VPE5, VPE9, VPP9, VPX2, VPX4 VPX9, VS49, VSD4, VTH4, VWC, VWS, VWS1, VXF, VXG, VXT	
3	16013-Z1C-003	FLOAT SET	1	1	1	-	1	----- LFU, VAA1, VAA8, VC2, VC2N, VEP9, VKE4, VPE5, VPE9, VS49, VSD4, VTH4 VWC, VWE	
	16013-ZA0-931	1	-	1	-	-	----- VKX4, VPX2, VPX4, VPX9, VXG	
	16013-Z1C-003	-	-	-	1	-	----- ED6, EDD2, EDS6, EDT6, LFU, SXS6, VAA1, VC2, VCF, VCT, VCT2, VEP9, VKE4 VKER, VKX4, VKXR, VPE5, VPE9, VPP9, VPX4, VPX9, VSD4, VWC, VWE, VWS VWS1, VXF, VXG, VXT	
4	16015-ZA0-931	CHAMBER SET, FLOAT	1	1	1	1	1	----- ED6, EDD2, EDS6, EDT6, LFU, SXS6, VEP9, VKE4, VKER, VKX4, VKXR, VS49 VSD4, VWC, VWE, VWS, VWS1	
5	16016-ZH8-W01	SCREW SET	1	-	1	-	-	----- VAA1, VAA8, VC2, VC2N, VEP9, VKE4, VKX4, VPE5, VPE9, VPX2, VPX4 VPX9, VS49, VSD4, VTH4, VWC, VWE, VXG	
	16016-Z1E-V21	-	1	-	1	1	----- EDS6, EDT6, LFU, SXS6, VCF, VEP9, VWC, VWE, VWS1, VXF, VXT	
	16016-ZH8-W01	-	-	-	1	-	----- ED6, EDD2, VWS	
	16016-ZH7-W01	SCREW SET, PILOT	-	-	-	1	-	----- VAA1, VPE5, VPX4	
	16016-ZH8-W01	SCREW SET	-	-	-	1	-	----- VAA1, VPE5, VPX4	
	(CARBURETOR NO.)	-	-	-	1	-	----- BE84C C VKE4, VKER, VKX4, VKXR, VSD4	

E-14-1

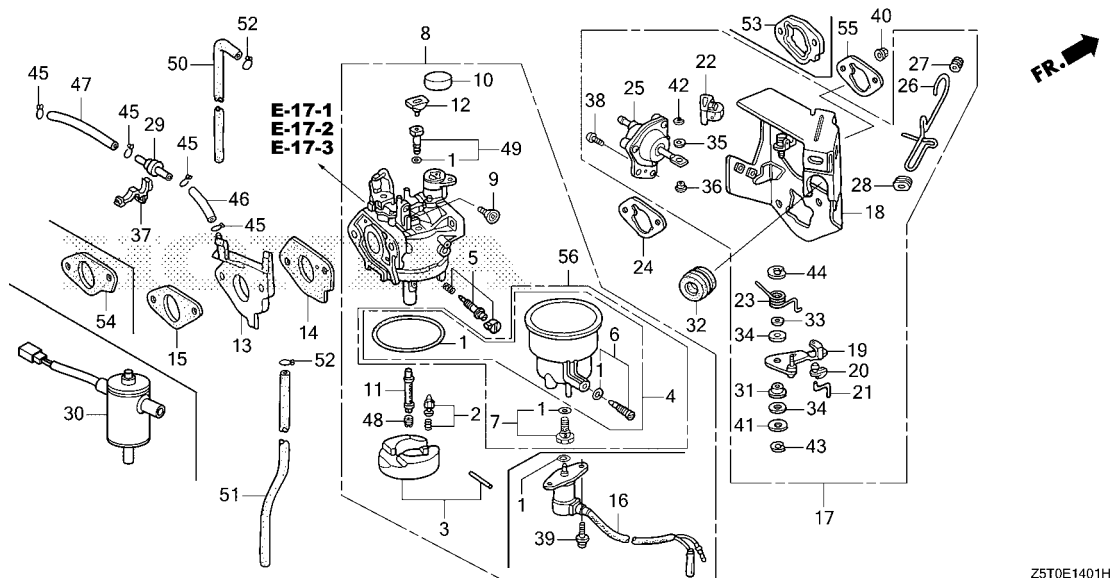
CARBURETOR(2)

Ref. No.	Part No.	Description	Reqd. QTY					Serial No.	Parts catalogue code
			GX 390 UT1	GX 390 UT2	GX 390 RT1	GX 390 RT2	GX 390 UT2X		
(5)	16016-ZH7-W01	SCREW SET, PILOT..... (CARBURETOR NO.)	-	-	-	1	-	BR84D D VC2, VCT, VCT2, VPE9, VPP9, VPX9, VXG	
	16016-Z1E-V21	SCREW SET..... (CARBURETOR NO.)	-	-	-	1	-	BEC1A A ----- VC2, VCT, VCT2, VPE9, VPP9, VPX9, VXG	
	,,	,,	-	-	-	1	-	BEC1B A ----- VKE4, VKER, VKX4, VKXR, VSD4	
6	16024-124-760	SCREW SET, DRAIN.....	1	1	1	1	1	ED6, EDD2, EDS6, EDT6, LFU, SXS6, VAA1, VAA8, VC2, VC2N, VCF, VCT VCT2, VEP9, VKE4, VKER, VKX4, VKXR, VPE5, VPE9, VPP9, VPX2, VPX4 VPX9, VS49, VSD4, VTH4, VWC, VWE, VWS, VWS1, VXF, VXG, VXT	
7	16028-ZA0-931	SCREW SET.....	1	-	1	-	-	VEP9, VKE4, VKX4, VS49, VSD4, VWC, VWE	
	16028-Z7E-E61	-	1	-	1	1	LFU, SXS6	
	16028-ZA0-931 (CARBURETOR NO.)	-	-	-	1	-	EDD2, VWS	
	,,	,,	-	-	-	1	-	BE84B B EDS6, EDT6, VEP9, VWC, VWE, VWS1	
	,,	,,	-	-	-	1	-	BE84C A VKE4, VKER, VKX4, VKXR, VSD4	
	16028-Z7E-E61 (CARBURETOR NO.)	-	-	-	1	-	BE84B B ED6	
	,,	,,	-	-	-	1	-	BE84B C ----- ED6, EDS6, EDT6, VEP9, VWC, VWE, VWS1	
	,,	,,	-	-	-	1	-	BE84C B ----- VKE4, VKER, VKX4, VKXR, VSD4	
8	16100-Z5T-U71	CARBURETOR ASSY.(BE89U A)....	1	-	1	-	-	VC2, VC2N, VPE5, VPE9	
	16100-Z5R-U71	CARBURETOR ASSY.(BE89F B)....	1	-	1	-	-	VPX2, VPX4, VPX9, VXG	
	16100-Z5S-U31	CARBURETOR ASSY.(BE89E A/B)...	1	-	-	-	-	VKX4	
	16100-ZBH-WA1	CARBURETOR ASSY.(BEC1C A)....	-	1	-	1	1	LFU, SXS6	
	16100-Z5T-P91	CARBURETOR ASSY.(BE89S A)....	-	-	1	-	-	VAA1, VAA8, VTH4	
	16100-Z5T-741	CARBURETOR ASSY.(BE89R A)....	-	-	1	-	-	VEP9, VWC, VWE	
	16100-Z5T-U31	CARBURETOR ASSY.(BE89T A)....	-	-	1	-	-	VKE4, VS49, VSD4	
	16100-Z5S-U32	CARBURETOR ASSY.(BE89E B)....	-	-	1	-	-	VKX4	
	16100-Z5T-P62	CARBURETOR ASSY.(BE95B A)....	-	-	-	1	-	VAA1	
	16100-Z5T-WF1	CARBURETOR ASSY.(BEC1A A)....	-	-	-	1	-	VCF, VXF, VXT	
	16100-ZBH-742	CARBURETOR ASSY.(BE84B A)....	-	-	-	1	-	1545857 ED6, EDD2, EDS6, EDT6, VEP9, VWC, VWE, VWS	
	16100-Z5T-U42	CARBURETOR ASSY.(BE84C A)....	-	-	-	1	-	1545857 VKE4, VKER, VKX4, VKXR, VSD4	
	16100-Z5T-U82	CARBURETOR ASSY.(BE84D A)....	-	-	-	1	-	1568912 VC2, VCT, VCT2, VPE5, VPE9, VPX4, VPX9, VXG	
	16100-Z5T-U85	CARBURETOR ASSY.(BE84D C)....	-	-	-	1	-	2144433 VPP9	
	16100-ZBH-743	CARBURETOR ASSY.(BE84B B)....	-	-	-	1	-	2670537 VWS1	
	,,	,,	-	-	-	1	-	1545858 ----- EDD2, VWS	
	,,	,,	-	-	-	1	-	1545858 2670537 ED6, EDS6, EDT6, VEP9, VWC, VWE	
	16100-Z5T-U43	CARBURETOR ASSY.(BE84C B)....	-	-	-	1	-	1545858 2670543 VKE4, VKER, VKX4, VKXR, VSD4	
	16100-Z5T-U83	CARBURETOR ASSY.(BE84D B)....	-	-	-	1	-	1568913 ----- VPE5, VPX4	
	,,	,,	-	-	-	1	-	1568913 1905896 VC2, VCT, VCT2, VPE9, VPX9, VXG	
	16100-Z5T-U84	CARBURETOR ASSY.(BE84D C)....	-	-	-	1	-	1905897 1980112 VC2, VCT, VCT2, VPE9, VPX9, VXG	
	16100-Z5T-U85	-	-	-	1	-	1980113 2144433 VC2, VCT, VCT2, VPE9, VPX9, VXG	
	16100-Z5T-U86	CARBURETOR ASSY.(BE84D D)....	-	-	-	1	-	2144434 2999999 VC2, VCT, VCT2, VPE9, VPP9, VPX9, VXG	
	16100-ZBH-744	CARBURETOR ASSY.(BE84B C)....	-	-	-	1	-	2670538 ----- ED6	
	,,	,,	-	-	-	1	-	2670538 2999999 EDS6, EDT6, VEP9, VWC, VWE, VWS1	
	16100-Z5T-U44	CARBURETOR ASSY.(BE84C C)....	-	-	-	1	-	2670544 2999999 VKE4, VKER, VKX4, VKXR, VSD4	
	16100-ZBH-WA1	CARBURETOR ASSY.(BEC1C A)....	-	-	-	1	-	3000001 ----- EDS6, EDT6, VEP9, VWC, VWE, VWS1	
	16100-Z5T-WF1	CARBURETOR ASSY.(BEC1A A)....	-	-	-	1	-	3000001 ----- VC2, VCT, VCT2, VPE9, VPP9, VPX9, VXG	
	16100-Z5T-WE1	CARBURETOR ASSY.(BEC1B A)....	-	-	-	1	-	3000001 ----- VKE4, VKER, VKX4, VKXR, VSD4	
9	16124-ZE0-005	SCREW, THROTTLE STOP.....	1	1	1	1	1	ED6, EDD2, EDS6, EDT6, LFU, SXS6, VAA1, VAA8, VC2, VC2N, VCF, VCT VCT2, VEP9, VKE4, VKER, VKX4, VKXR, VPE5, VPE9, VPP9, VPX2, VPX4 VPX9, VS49, VSD4, VTH4, VWC, VWE, VWS, VWS1, VXF, VXG, VXT	
10	16148-141-881	CAP, CHOKE DUST.....	1	1	1	1	1	ED6, EDD2, EDS6, EDT6, LFU, SXS6, VAA1, VAA8, VC2, VC2N, VCF, VCT VCT2, VEP9, VKE4, VKER, VKX4, VKXR, VPE5, VPE9, VPP9, VPX2, VPX4 VPX9, VS49, VSD4, VTH4, VWC, VWE, VWS, VWS1, VXF, VXG, VXT	
11	16166-ZF6-005	NOZZLE, MAIN.....	1	-	1	-	-	VAA1, VAA8, VC2, VC2N, VEP9, VKE4, VKX4, VPE5, VPE9, VPX2, VPX4 VPX9, VS49, VSD4, VTH4, VWC, VWE, VXG	
	16166-Z5T-WE1	-	1	-	1	1	LFU, SXS6	
	16166-Z5T-U41	-	-	-	1	-	ED6, EDD2, VAA1, VPE5, VPX4, VWS	



E-14-1

CARBURETOR(2)



Z5T0E1401H

Ref. No.	Part No.	Description	Reqd. QTY						Serial No.	Parts catalogue code
			GX 390 UT1	GX 390 UT2	GX 390 RT1	GX 390 RT2	GX 390 UT2X			
11)	16166-Z5T-WF1 16166-Z5T-U41	NOZZLE, MAIN..... (CARBURETOR NO.)	-	-	-	1	-	-----	VCF, VXF, VXT	
	16166-Z5T-WF1 (CARBURETOR NO.)	-	-	-	1	-	-----	BE84B C EDS6, EDT6, VEP9, VWC, VWE, VWS1	
	16166-Z5T-WE1 (CARBURETOR NO.)	-	-	-	1	-	-----	BE84C C VKE4, VKER, VKX4, VKXR, VSD4	
	16166-Z5T-WE1 (CARBURETOR NO.)	-	-	-	1	-	-----	BE84D D VC2, VCT, VCT2, VPE9, VPP9, VPX9, VXG	
12	16172-ZE3-W10	COLLAR, SETTING.....	1	1	1	1	1	-----	-----	
13	16211-ZF6-D40 16211-ZBH-700	INSULATOR, CARBURETOR.....	1	-	1	-	-	-----	-----	
	16211-ZF6-000 16211-Z5T-000	-	1	-	1	1	-----	ED6, EDD2, EDS6, EDT6, LFU, SXS6, VAA1, VAA8, VC2, VC2N, VCF, VCT VCT2, VEP9, VKE4, VKER, VKX4, VKXR, VPE5, VPE9, VPP9, VPX2, VPX4 VPX9, VS49, VSD4, VTH4, VWC, VWE, VWS, VWS1, VXF, VXG, VXT	
14	16221-ZF6-800 16221-Z5T-000	PACKING, CARBURETOR.....	1	-	1	-	-	-----	-----	
	16221-Z5T-000	-	1	-	1	1	-----	VAC2, VC2N, VEP9, VKE4, VKX4, VPE5, VPE9, VPX2, VPX4, VPX9, VS49, VSD4, VTH4, VWC, VWE, VXG	
15	16223-ZE3-W00	PACKING, INSULATOR.....	1	-	1	-	-	-----	-----	
	16223-ZE3-W00	1	-	1	-	-	-----	VAA1, VAA8, VC2, VC2N, VEP9, VKE4, VKX4, VPE5, VPE9, VPX2, VPX4 VPX9, VS49, VSD4, VTH4, VWC, VWE, VXG	
16	16230-ZE3-701	VALVE ASSY., SOLENOID.....	1	-	-	-	-	-----	-----	
	16230-ZE3-701	1	-	-	-	-	-----	VKX4	

E-14-1

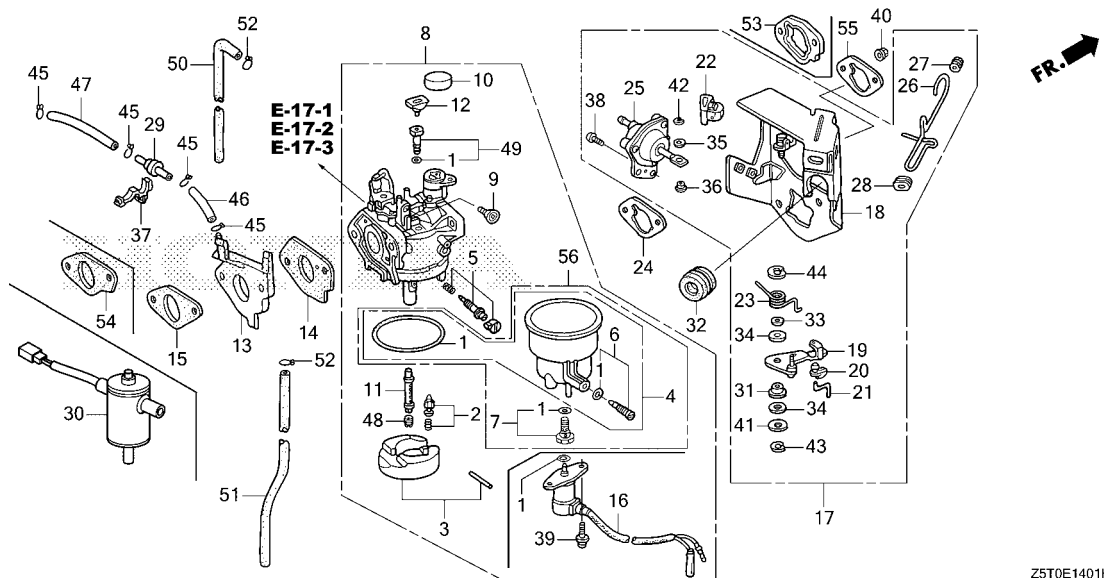
CARBURETOR(2)

Ref. No.	Part No.	Description	Reqd. QTY					Serial No.	Parts catalogue code	
			GX 390 UT1	GX 390 UT2	GX 390 RT1	GX 390 RT2	GX 390 UT2X			
16)	16230-ZE3-702	VALVE ASSY., SOLENOID	-	1	1	1	1	-----	-----	ED6, EDD2, EDS6, EDT6, LFU, SXS6, VEP9, VKE4, VKER, VKX4, VKXR, VSD4, VWC, VWE, VWS, VWS1
17	16260-ZE3-D22	STAY ASSY., MANUAL CHOKE	1	1	-	-	1	-----	-----	LFU, VC2N, VPX2
	16260-ZE3-D21	1	-	-	-	-	-----	1353550	VKX4, VPX4, VPX9, VXG
	16260-ZE3-D22	1	-	-	-	-	-----	1353551	VKX4, VPX4, VPX9, VXG
	16260-ZF6-U70	-	-	1	1	-	-----	-----	VAA1, VAA8
	16260-ZE3-D22	-	-	1	-	-	-----	-----	VC2, VEP9, VKX4, VPE5, VPE9, VPX4, VPX9, VS49, VSD4, VWC, VWE, VXG
	16260-ZE2-723	-	-	1	-	-	-----	-----	VKE4, VTH4
	16260-ZE3-D22	-	-	-	1	-	-----	-----	ED6, EDD2, EDS6, EDT6, SXS6, VC2, VCF, VCT, VCT2, VEP9, VKE4, VKER, VKX4, VKXR, VPE5, VPE9, VPX4, VPX9, VSD4, VWC, VWE, VWS, VWS1, VXF, VXG, VXT
18	16261-ZE2-702	STAY COMP., SOLENOID	1	1	1	1	1	-----	-----	ED6, EDD2, EDS6, EDT6, LFU, SXS6, VAA1, VAA8, VC2, VC2N, VCF, VCT, VCT2, VEP9, VKE4, VKER, VKX4, VKXR, VPE5, VPE9, VPX2, VPX4, VPX9, VS49, VSD4, VTH4, VWC, VWE, VWS, VWS1, VXF, VXG, VXT
19	16262-ZE2-711	LEVER, CHOKE	1	1	1	1	1	-----	-----	ED6, EDD2, EDS6, EDT6, LFU, SXS6, VAA1, VAA8, VC2, VC2N, VCF, VCT, VCT2, VEP9, VKE4, VKER, VKX4, VKXR, VPE5, VPE9, VPX2, VPX4, VPX9, VS49, VSD4, VTH4, VWC, VWE, VWS, VWS1, VXF, VXG, VXT
20	16263-ZA0-000	JOINT, ROD	1	1	1	1	1	-----	-----	ED6, EDD2, EDS6, EDT6, LFU, SXS6, VAA1, VAA8, VC2, VC2N, VCF, VCT, VCT2, VEP9, VKE4, VKER, VKX4, VKXR, VPE5, VPE9, VPX2, VPX4, VPX9, VS49, VSD4, VTH4, VWC, VWE, VWS, VWS1, VXF, VXG, VXT
21	16264-ZE2-701	ROD, CHOKE	1	1	1	1	1	-----	-----	ED6, EDD2, EDS6, EDT6, LFU, SXS6, VAA1, VAA8, VC2, VC2N, VCF, VCT, VCT2, VEP9, VKE4, VKER, VKX4, VKXR, VPE5, VPE9, VPX2, VPX4, VPX9, VS49, VSD4, VTH4, VWC, VWE, VWS, VWS1, VXF, VXG, VXT
22	16265-ZE2-721	STOPPER, CHOKE ROD	1	1	1	1	1	-----	-----	ED6, EDD2, EDS6, EDT6, LFU, SXS6, VAA1, VAA8, VC2, VC2N, VCF, VCT, VCT2, VEP9, VKE4, VKER, VKX4, VKXR, VPE5, VPE9, VPX2, VPX4, VPX9, VS49, VSD4, VTH4, VWC, VWE, VWS, VWS1, VXF, VXG, VXT
23	16268-ZE2-721	SPRING, MANUAL CHOKE	1	1	1	1	1	-----	-----	ED6, EDD2, EDS6, EDT6, LFU, SXS6, VAA1, VAA8, VC2, VC2N, VCF, VCT, VCT2, VEP9, VKE4, VKER, VKX4, VKXR, VPE5, VPE9, VPX2, VPX4, VPX9, VS49, VSD4, VTH4, VWC, VWE, VWS, VWS1, VXF, VXG, VXT
24	16269-ZA0-800	PACKING, AIR CLEANER	1	-	1	-	-	-----	-----	VAA1, VAA8, VC2, VC2N, VEP9, VKE4, VKX4, VPE5, VPE9, VPX2, VPX4, VPX9, VS49, VSD4, VTH4, VWC, VWE, VXG
	17228-Z5T-000	-	1	-	1	1	-----	-----	ED6, EDD2, EDS6, EDT6, LFU, SXS6, VAA1, VC2, VCF, VCT, VCT2, VEP9, VKE4, VKER, VKX4, VKXR, VPE5, VPE9, VPP9, VPX4, VPX9, VSD4, VWC, VWE, VWS, VWS1, VXF, VXG, VXT
25	16400-ZE2-704	DIAPHRAGM ASSY.	1	1	-	-	1	-----	-----	LFU, VC2N, VPX2
	16400-ZE2-703	1	-	-	-	-	-----	1353550	VKX4, VPX4, VPX9, VXG
	16400-ZE2-704	1	-	-	-	-	-----	1353551	VKX4, VPX4, VPX9, VXG
		-	-	1	1	-	-----	-----	ED6, EDD2, EDS6, EDT6, SXS6, VC2, VCF, VCT, VCT2, VEP9, VKE4, VKER, VKX4, VKXR, VPE5, VPE9, VPX4, VPX9, VS49, VSD4, VTH4, VWC, VWE, VWS, VWS1, VXF, VXG, VXT
26	16611-ZE3-D21	ROD, CHOKE CONTROL	1	1	1	-	1	-----	-----	LFU, VC2, VC2N, VEP9, VKX4, VPE5, VPE9, VPX2, VPX4, VPX9, VS49, VSD4, VWC, VWE, VXG
	16611-ZE2-711	-	-	1	-	-	-----	-----	VAA1, VAA8, VKE4, VTH4
	16611-ZE3-D21	-	-	-	1	-	-----	-----	ED6, EDD2, EDS6, EDT6, SXS6, VC2, VCF, VCT, VCT2, VEP9, VKE4, VKER, VKX4, VKXR, VPE5, VPE9, VPX4, VPX9, VSD4, VWC, VWE, VWS, VWS1, VXF, VXG, VXT
	16611-ZE2-711	-	-	-	1	-	-----	-----	VAA1
27	16613-893-000	GROMMET, CHOKE ROD	1	1	1	1	1	-----	-----	ED6, EDD2, EDS6, EDT6, LFU, SXS6, VAA1, VAA8, VC2, VC2N, VCF, VCT, VCT2, VEP9, VKE4, VKER, VKX4, VKXR, VPE5, VPE9, VPX2, VPX4, VPX9, VS49, VSD4, VTH4, VWC, VWE, VWS, VWS1, VXF, VXG, VXT
28	16615-893-000	GUIDE, CHOKE ROD	1	1	1	1	1	-----	-----	ED6, EDD2, EDS6, EDT6, LFU, SXS6, VAA1, VAA8, VC2, VC2N, VCF, VCT, VCT2, VEP9, VKE4, VKER, VKX4, VKXR, VPE5, VPE9, VPX2, VPX4, VPX9, VS49, VSD4, VTH4, VWC, VWE, VWS, VWS1, VXF, VXG, VXT
29	36135-ZF6-D41	VALVE, DASHPOT CHECK	1	1	1	1	1	-----	-----	ED6, EDD2, EDS6, EDT6, LFU, SXS6, VC2, VC2N, VCF, VCT, VCT2, VEP9, VKE4, VKER, VKX4, VKXR, VPE5, VPE9, VPX2, VPX4, VPX9, VS49, VSD4, VTH4, VWC, VWE, VWS, VWS1, VXF, VXG, VXT



E-14-1

CARBURETOR(2)



Z5T0E1401H

Ref. No.	Part No.	Description	Reqd. QTY					Serial No.	Parts catalogue code
			GX 390 UT1	GX 390 UT2	GX 390 RT1	GX 390 RT2	GX 390 UT2X		
30	36170-ZB4-013	VALVE ASSY., SOLENOID	1	-	1	1	-	-----	VKE4,VKX4
31	53149-964-003	BUSH, ARM PIVOT	1	1	1	1	1	-----	ED6, EDD2, EDS6, EDT6, LFU, SXS6, VAA1, VAA8, VC2, VC2N, VCF, VCT VCT2, VEP9, VKE4, VKER, VKX4, VKXR, VPE5, VPE9, VPX2, VPX4, VPX9 VS49, VSD4, VTH4, VWC, VWE, VWS, VWS1, VXF, VXG, VXT
32	88911-MJ3-000	GROMMET, FENDER	1	1	1	1	1	-----	ED6, EDD2, EDS6, EDT6, LFU, SXS6, VAA1, VAA8, VC2, VC2N, VCF, VCT VCT2, VEP9, VKE4, VKER, VKX4, VKXR, VPE5, VPE9, VPP9, VPX2, VPX4, VPX9 VS49, VSD4, VTH4, VWC, VWE, VWS, VWS1, VXF, VXG, VXT
33	90431-ZE2-700	WASHER, CHOKE LEVER	1	1	1	1	1	-----	ED6, EDD2, EDS6, EDT6, LFU, SXS6, VAA1, VAA8, VC2, VC2N, VCF, VCT VCT2, VEP9, VKE4, VKER, VKX4, VKXR, VPE5, VPE9, VPX2, VPX4, VPX9 VS49, VSD4, VTH4, VWC, VWE, VWS, VWS1, VXF, VXG, VXT
34	90432-ZE2-700	SEAL, CHOKE LEVER	2	2	2	2	2	-----	ED6, EDD2, EDS6, EDT6, LFU, SXS6, VAA1, VAA8, VC2, VC2N, VCF, VCT VCT2, VEP9, VKE4, VKER, VKX4, VKXR, VPE5, VPE9, VPX2, VPX4, VPX9 VS49, VSD4, VTH4, VWC, VWE, VWS, VWS1, VXF, VXG, VXT
35	90433-ZE2-700	WASHER, THRUST, 2.7X8	1	1	1	1	1	-----	ED6, EDD2, EDS6, EDT6, LFU, SXS6, VC2, VC2N, VCF, VCT, VCT2, VEP9 VKE4, VKER, VKX4, VKXR, VPE5, VPE9, VPX2, VPX4, VPX9, VS49, VSD4 VTH4, VWC, VWE, VWS, VWS1, VXF, VXG, VXT
36	90434-ZE2-700	COLLAR, LEVER	1	1	1	1	1	-----	ED6, EDD2, EDS6, EDT6, LFU, SXS6, VC2, VC2N, VCF, VCT, VCT2, VEP9 VKE4, VKER, VKX4, VKXR, VPE5, VPE9, VPX2, VPX4, VPX9, VS49, VSD4 VTH4, VWC, VWE, VWS, VWS1, VXF, VXG, VXT
37	90650-SD9-003	CLIP, WIRE HARNESS	1	-	1	1	-	-----	ED6, EDD2, EDS6, EDT6, SXS6, VC2, VC2N, VCT2, VS49, VSD4, VTH4, VWC VWE, VWS, VWS1, VXF, VXG, VXT
38	93500-05012-0A	SCREW, PAN, 5X12	-	-	-	1	-	-----	1980112 VCT
39	93892-05012-18	SCREW-WASHER, 5X12	2	2	2	2	2	-----	ED6, EDD2, EDS6, EDT6, LFU, SXS6, VC2, VC2N, VCF, VCT, VCT2, VEP9 VKE4, VKER, VKX4, VKXR, VPE5, VPE9, VPX2, VPX4, VPX9, VS49, VSD4 VTH4, VWC, VWE, VWS, VWS1, VXF, VXG, VXT

E-14-1

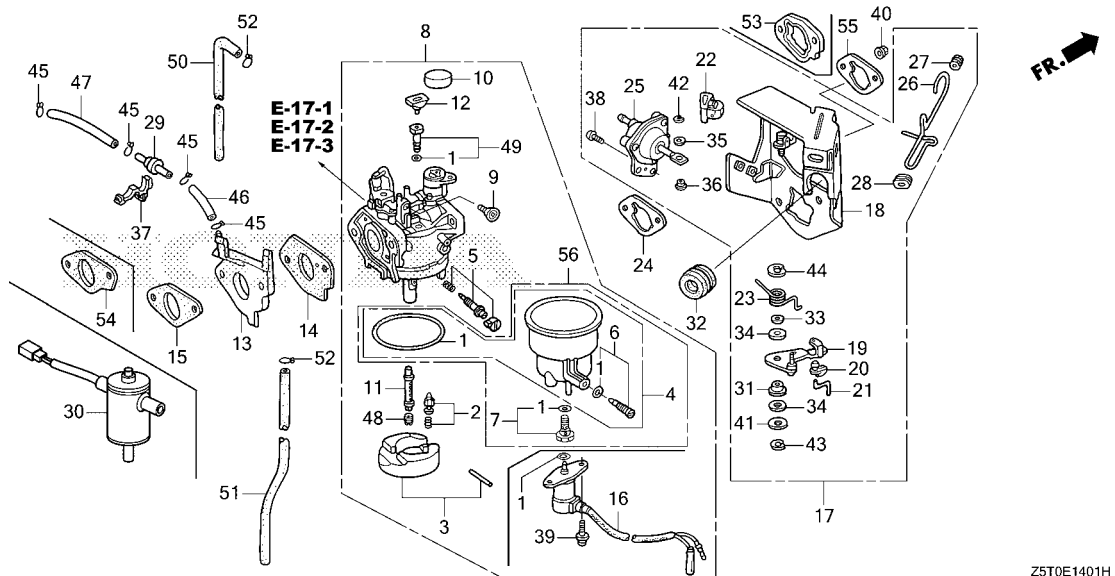
CARBURETOR(2)

Ref. No.	Part No.	Description	Reqd. QTY					Serial No.	Parts catalogue code
			GX 390 UT1	GX 390 UT2	GX 390 RT1	GX 390 RT2	GX 390 UT2X		
40	94050-06000	NUT, FLANGE, 6MM.....	2	2	2	2	2	-----	ED6, EDD2, EDS6, EDT6, LFU, SXS6, VAA1, VAA8, VC2, VC2N, VCF, VCT VCT2, VEP9, VKE4, VKER, VKX4, VKXR, VPE5, VPE9, VPP9, VPX2, VPX4, VPX9, VSD4, VTH4, VWC, VWE, VWS, VWS1, VXF, VXG, VXT
41	94103-05000	WASHER, PLAIN, 5MM.....	1	1	1	1	1	-----	ED6, EDD2, EDS6, EDT6, LFU, SXS6, VAA1, VAA8, VC2, VC2N, VCF, VCT VCT2, VEP9, VKE4, VKER, VKX4, VKXR, VPE5, VPE9, VPX2, VPX4, VPX9, VSD4, VTH4, VWC, VWE, VWS, VWS1, VXF, VXG, VXT
42	94540-02010	E-RING, 2MM.....	1	1	1	1	1	-----	ED6, EDD2, EDS6, EDT6, LFU, SXS6, VC2, VC2N, VCF, VCT, VCT2, VEP9 VKE4, VKER, VKX4, VKXR, VPE5, VPE9, VPX2, VPX4, VPX9, VSD4, VTH4, VWC, VWE, VWS, VWS1, VXF, VXG, VXT
43	94540-04010	E-RING, 4MM.....	1	1	1	1	1	-----	ED6, EDD2, EDS6, EDT6, LFU, SXS6, VAA1, VAA8, VC2, VC2N, VCF, VCT VCT2, VEP9, VKE4, VKER, VKX4, VKXR, VPE5, VPE9, VPX2, VPX4, VPX9, VSD4, VTH4, VWC, VWE, VWS, VWS1, VXF, VXG, VXT
44	94540-07010	E-RING, 7MM.....	1	1	1	1	1	-----	ED6, EDD2, EDS6, EDT6, LFU, SXS6, VAA1, VAA8, VC2, VC2N, VCF, VCT VCT2, VEP9, VKE4, VKER, VKX4, VKXR, VPE5, VPE9, VPX2, VPX4, VPX9, VSD4, VTH4, VWC, VWE, VWS, VWS1, VXF, VXG, VXT
45	95002-02070	CLIP, TUBE(B7).....	4	4	4	4	4	-----	ED6, EDD2, EDS6, EDT6, LFU, SXS6, VC2, VC2N, VCF, VCT, VCT2, VEP9 VKE4, VKER, VKX4, VKXR, VPE5, VPE9, VPX2, VPX4, VPX9, VSD4, VSD4, VTH4, VWC, VWE, VWS, VWS1, VXF, VXG, VXT
46	95005-35075-10	TUBE, 3.5X75(95005-35001-10M)	1	1	1	1	1	-----	ED6, EDD2, EDS6, EDT6, LFU, SXS6, VC2, VC2N, VCF, VCT, VCT2, VEP9 VKE4, VKER, VKX4, VKXR, VPE5, VPE9, VPX2, VPX4, VPX9, VSD4, VSD4, VTH4, VWC, VWE, VWS, VWS1, VXF, VXG, VXT
47	95005-35130-10	TUBE, 3.5X130(95005-35001-10M)	1	1	1	1	1	-----	ED6, EDD2, EDS6, EDT6, LFU, SXS6, VC2, VC2N, VCF, VCT, VCT2, VEP9 VKE4, VKER, VKX4, VKXR, VPE5, VPE9, VPX2, VPX4, VPX9, VSD4, VSD4, VTH4, VWC, VWE, VWS, VWS1, VXF, VXG, VXT
48	99101-ZH8-0980	JET, MAIN, #98.....	(1)	-	(1)	-	-	-----	VAA1, VAA8, VEP9, VKE4, VKX4, VS49, VSD4, VTH4, VWC, VWE
	99101-ZH8-1000	JET, MAIN, #100.....	(1)	-	(1)	-	-	-----	VAA1, VAA8, VEP9, VKE4, VKX4, VS49, VSD4, VTH4, VWC, VWE
	99101-ZH8-1020	JET, MAIN, #102.....	1	-	1	-	-	-----	VAA1, VAA8, VEP9, VKE4, VKX4, VS49, VSD4, VTH4, VWC, VWE
	99101-ZH8-1050	JET, MAIN, #105.....	(1)	-	(1)	-	-	-----	VC2, VC2N, VPE5, VPE9, VPX2, VPX4, VPX9, VXG
	99101-ZH8-1080	JET, MAIN, #108.....	1	-	1	-	-	-----	VC2, VC2N, VPE5, VPE9, VPX2, VPX4, VPX9, VXG
	99101-ZH8-1120	JET, MAIN, #112.....	-	(1)	-	(1)	(1)	-----	LFU, SXS6
	99101-ZH8-1100	JET, MAIN, #110.....	-	(1)	-	(1)	(1)	-----	LFU, SXS6, VCF, VXF, VXT
	99101-ZH8-0950	JET, MAIN, #95.....	-	-	-	(1)	-	-----	ED6, EDD2, VWS
	99101-ZH8-1000	JET, MAIN, #100.....	-	-	-	(1)	-	-----	ED6, EDD2, VWS
	99101-ZH8-1020	JET, MAIN, #102.....	-	-	-	1	-	-----	ED6, EDD2, VWS
	99101-ZH8-0980	JET, MAIN, #98.....	-	-	-	(1)	-	-----	VAA1, VPE5, VPX4
	99101-ZH8-1020	JET, MAIN, #102.....	-	-	-	(1)	-	-----	VAA1, VPE5, VPX4
	99101-ZH8-1050	JET, MAIN, #105.....	-	-	-	1	-	-----	VAA1, VPE5, VPX4
	99101-ZH8-1120	JET, MAIN, #112.....	-	-	-	(1)	-	-----	VCF, VXF, VXT
	99101-ZH8-1150	JET, MAIN, #115.....	-	-	-	1	-	-----	VCF, VXF, VXT
	99101-ZH8-0950	JET, MAIN, #95.....	-	-	-	(1)	-	-----	BE84B C EDS6, EDT6, VEP9, VWC, VWE, VWS1
	99101-ZH8-1000	JET, MAIN, #100.....	-	-	-	(1)	-	-----	BE84B C EDS6, EDT6, VEP9, VWC, VWE, VWS1
	99101-ZH8-1020	JET, MAIN, #102.....	-	-	-	1	-	-----	BE84B C EDS6, EDT6, VEP9, VWC, VWE, VWS1
	99101-ZH8-0950	JET, MAIN, #95.....	-	-	-	(1)	-	-----	BE84C C VKE4, VKER, VKX4, VKXR, VSD4
	99101-ZH8-1000	JET, MAIN, #100.....	-	-	-	(1)	-	-----	BE84C C VKE4, VKER, VKX4, VKXR, VSD4
	99101-ZH8-1020	JET, MAIN, #102.....	-	-	-	1	-	-----	BE84C C VKE4, VKER, VKX4, VKXR, VSD4
	99101-ZH8-0980	JET, MAIN, #98.....	-	-	-	(1)	-	-----	BE84D D VC2, VCT, VCT2, VPE9, VPP9, VPX9, VXG



E-14-1

CARBURETOR(2)



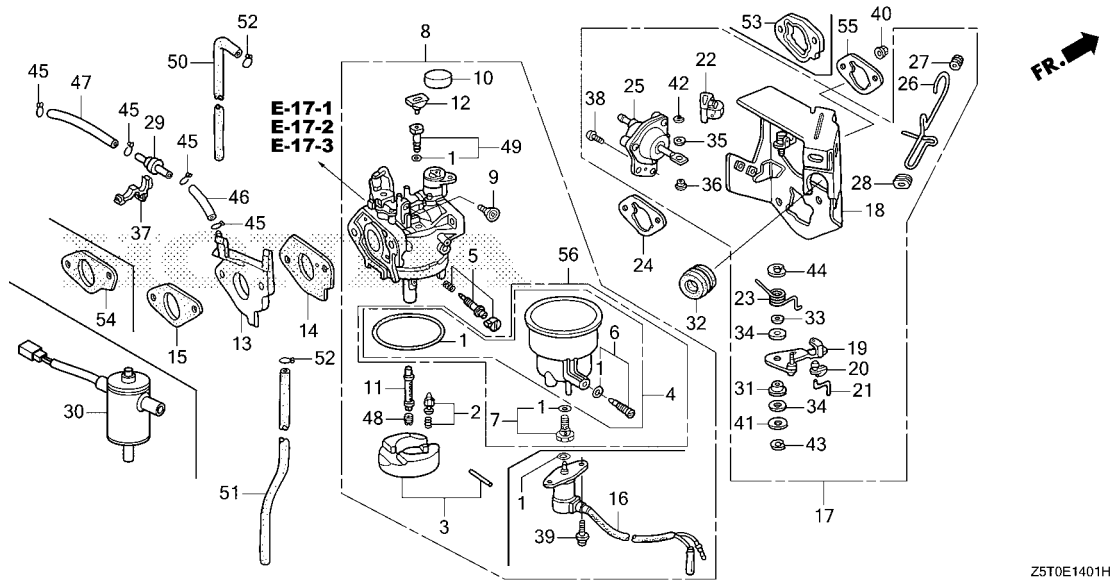
Z5T0E1401H

Ref. No.	Part No.	Description	Reqd. QTY					Serial No.	Parts catalogue code
			GX 390 UT1	GX 390 UT2	GX 390 RT1	GX 390 RT2	GX 390 UT2X		
48)	99101-ZH8-1020	JET, MAIN, #102.....	-	-	-	(1)	-	BE84D D VC2, VCT, VCT2, VPE9, VPP9, VPX9, VXG	
	99101-ZH8-1050	JET, MAIN, #105.....	-	-	-	1	-	BE84D D VC2, VCT, VCT2, VPE9, VPP9, VPX9, VXG	
	99101-ZH8-1100	JET, MAIN, #110.....	-	-	-	(1)	-	BEC1A A ----- VC2, VCT, VCT2, VPE9, VPP9, VPX9, VXG	
	99101-ZH8-1120	JET, MAIN, #112.....	-	-	-	(1)	-	BEC1A A ----- VC2, VCT, VCT2, VPE9, VPP9, VPX9, VXG	
	99101-ZH8-1150	JET, MAIN, #115.....	-	-	-	1	-	BEC1A A ----- VC2, VCT, VCT2, VPE9, VPP9, VPX9, VXG	
	99101-ZH8-1080	JET, MAIN, #108.....	-	-	-	(1)	-	BEC1B A ----- VKE4, VKER, VKX4, VKXR, VSD4	
	99101-ZH8-1100	JET, MAIN, #110.....	-	-	-	(1)	-	BEC1B A ----- VKE4, VKER, VKX4, VKXR, VSD4	
	99101-ZH8-1120	JET, MAIN, #112.....	-	-	-	1	-	BEC1B A ----- VKE4, VKER, VKX4, VKXR, VSD4	
	99101-ZH8-1080	JET, MAIN, #108.....	-	-	-	(1)	-	BEC1C A ----- EDS6, EDT6, VEP9, VWC, VWE, VWS1	
	99101-ZH8-1100	JET, MAIN, #110.....	-	-	-	(1)	-	BEC1C A ----- EDS6, EDT6, VEP9, VWC, VWE, VWS1	
	99101-ZH8-1120	JET, MAIN, #112.....	-	-	-	1	-	BEC1C A ----- EDS6, EDT6, VEP9, VWC, VWE, VWS1	
49	99204-ZA0-0450	JET SET, PILOT, #45.....	1	-	1	-	-	VAA1, VAA8, VC2, VC2N, VEP9, VKE4, VKX4, VPE5, VPE9, VPX2, VPX4, VPX9, VS49, VSD4, VTH4, VWC, VWE, VXG	
	99204-ZE0-0450	-	1	-	1	1	LFU, SXS6, VCF, VXF, VXT	
	99204-ZA0-0450	-	-	-	1	-	ED6, EDD2, VWS	
	99204-ZA0-0400	JET SET, PILOT, #40.....	-	-	-	1	-	VAA1, VPE5, VPX4	



E-14-1

CARBURETOR(2)



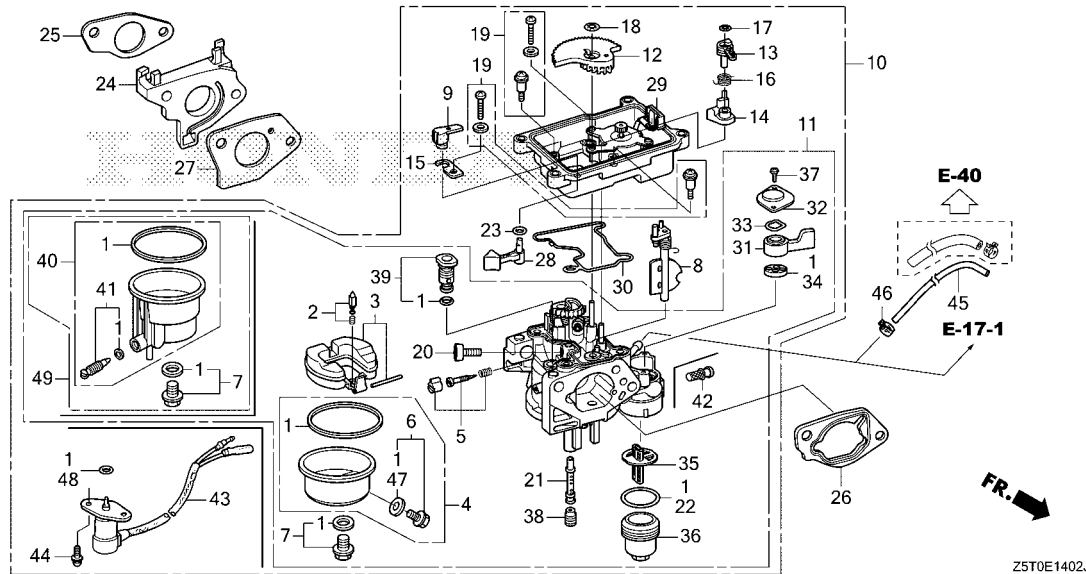
Z5T0E1401H

Ref. No.	Part No.	Description	Reqd. QTY						Serial No.	Parts catalogue code
			GX 390 UT1	GX 390 UT2	GX 390 RT1	GX 390 RT2	GX 390 UT2X			
49)	99204-ZA0-0450	JET SET, PILOT, #45..... (CARBURETOR NO.)	-	-	-	1	-	-----	BE84B C EDS6, EDT6, VEP9, VWC, VWE, VWS1	
	99204-ZA0-0400	JET SET, PILOT, #40..... (CARBURETOR NO.)	-	-	-	1	-	-----	BE84C C VKE4, VKER, VKX4, VKXR, VSD4	
	99204-ZE0-0450	JET SET, PILOT, #45..... (CARBURETOR NO.)	-	-	-	1	-	-----	BE84D D VC2, VCT, VCT2, VPE9, VPP9, VPX9, VXG	
		''	-	-	-	1	-	-----	BEC1A A ----- VC2, VCT, VCT2, VPE9, VPP9, VPX9, VXG	
		''	-	-	-	1	-	-----	BEC1B A ----- VKE4, VKER, VKX4, VKXR, VSD4	
		''	-	-	-	1	-	-----	BEC1C A ----- EDS6, EDT6, VEP9, VWC, VWE, VWS1	
50	16199-ZA0-930	TUBE, AIR VENT.....	-	-	1	1	-	-----	VS49, VSD4, VTH4	
51	95001-45210-40	TUBE, FUEL, 4.5X210 (95001-45001-60M)	-	1	-	-	1	-----	LFU	
	95001-45300-40	TUBE, FUEL, 4.5X300 (95001-45001-60M)	-	-	1	1	-	-----	VS49, VSD4, VTH4	
52	95002-02080	CLIP, TUBE(B8).....	-	1	2	2	1	-----	LFU, VS49, VSD4, VTH4	
53	16220-ZA0-702	SPACER COMP., CARBURETOR.....	-	1	-	1	1	-----	ED6, EDD2, EDS6, EDT6, LFU, SXS6, VAA1, VC2, VCF, VCT, VCT2, VEP9, VKE4, VKER, VKX4, VKXR, VPE5, VPE9, VPP9, VPX4, VPX9, VSD4, VWC, VWE, VWS, VWS1, VXF, VXG, VXT	
54	16212-Z5T-000	PACKING, CARBURETOR INSULATOR	-	1	-	1	1	-----	ED6, EDD2, EDS6, EDT6, LFU, SXS6, VAA1, VC2, VCF, VCT, VCT2, VEP9, VKE4, VKER, VKX4, VKXR, VPE5, VPE9, VPP9, VPX4, VPX9, VSD4, VWC, VWE, VWS, VWS1, VXF, VXG, VXT	
55	16269-ZA0-800	PACKING, AIR CLEANER.....	1	-	1	-	-	-----	VAA1, VAA8, VC2, VC2N, VEP9, VKE4, VKX4, VPE5, VPE9, VPX2, VPX4, VPX9, VS49, VSD4, VTH4, VWC, VWE, VXG	
56	06160-Z1C-305	BOLT KIT, FUEL CHAMBER.....	1	-	1	-	-	-----	VAA1, VAA8, VC2, VC2N, VPE5, VPE9, VPX2, VPX4, VPX9, VTH4, VXG	
	06160-Z1C-325	-	-	-	1	-	-----	VAA1, VPE5, VPX4	
		-	-	-	1	-	-----	VC2, VCF, VCT, VCT2, VPE9, VPP9, VPX9, VXF, VXG, VXT	



E-14-2

CARBURETOR(3)



Ref. No. L.O.N. (Relative ref. Number) Description F.R.T.

Ref. No.	Part No.	Description	Reqd. QTY					Serial No.	Parts catalogue code	
			GX 390 UT1	GX 390 UT2	GX 390 RT1	GX 390 RT2	GX 390 UT2X			
1	16010-ZE2-812	GASKET SET	-	1	-	-	1	-----	QZA2, QZAV, QZC, QZD, QZDS, QZHW, QZME, QZN2, QZND, QZNH, QZNR, QZRL, QZRV, QZX9, QZXR, SZEC, VZS9, VZX7, VZX8	
	16010-ZE3-701	-	-	-	1	-	-----	EZD2, EZDM, EZDS, EZDV, VZWE, VZXZ	
	16010-ZA0-921	-	-	-	1	-	1702261	VZP9	
	16010-ZE3-701	-	-	-	1	-	1702262	VZC2	
	16010-ZE3-701	-	-	-	1	-	1703009	VZP9	
	16010-ZE3-701	-	-	-	1	-	1703010	VZC2	
2	16011-ZA0-931	VALVE SET, FLOAT	-	1	-	1	1	-----	EZD2, EZDM, EZDS, EZDV, QZA2, QZAV, QZC, QZD, QZDS, QZHW, QZME, QZN2, QZND, QZNH, QZNR, QZRL, QZRV, QZX9, QZXR, SZEC, VZC2, VZP9, VZS9, VZWE, VZX7, VZX8, VZXZ	
3	16013-Z1C-003	FLOAT SET	-	1	-	1	1	-----	EZD2, EZDM, EZDS, EZDV, QZA2, QZAV, QZC, QZD, QZDS, QZHW, QZME, QZN2, QZND, QZNH, QZNR, QZRL, QZRV, QZX9, QZXR, SZEC, VZC2, VZP9, VZS9, VZWE, VZX7, VZX8, VZXZ	
4	16015-Z5T-901	CHAMBER SET, FLOAT	-	1	-	-	1	-----	QZA2, QZAV, QZC, QZD, QZDS, QZHW, QZME, QZN2, QZND, QZNH, QZNR, QZRL, QZRV, QZX9, QZXR, SZEC, VZS9, VZX7, VZX8	
5	16016-ZH7-W01	SCREW SET, PILOT	-	1	-	1	-	-----	QZC, QZDS, QZNH, QZRV, QZX9, SZEC, VZC2, VZP9, VZWE	
	16016-ZH7-W01	(CARBURETOR NO.)	-	1	-	-	-	-----	BE92G A QZA2, QZAV, QZD, QZHW, QZME, QZN2, QZND, QZNR, QZRL, QZXR, VZS9, VZX7, VZX8	
	16016-Z1E-V21	SCREW SET	-	1	-	-	-	BEC2A A	-----	QZA2, QZAV, QZD, QZHW, QZME, QZN2, QZND, QZNR, QZRL, QZXR, VZS9, VZX7, VZX8
	16016-ZH7-W01	SCREW SET, PILOT	-	-	-	1	-	-----	BE79A B EZDM, EZDS, EZDV	
	16016-ZH7-W01	SCREW SET, PILOT	-	-	-	1	-	-----	BE79A B EZD2	
	16016-ZH7-W01	SCREW SET	-	-	-	1	-	-----	BE79A C VZXZ	
	16016-ZH8-W01	SCREW SET	-	-	-	1	-	-----	EZD2, EZDM, EZDS, EZDV, VZXZ	
	16016-Z1E-V21	-	-	-	1	-	-----	QZA2, QZAV, QZD, QZHW, QZN2, QZNR, QZRL, QZXR, VZX7, VZX8	

E-14-2

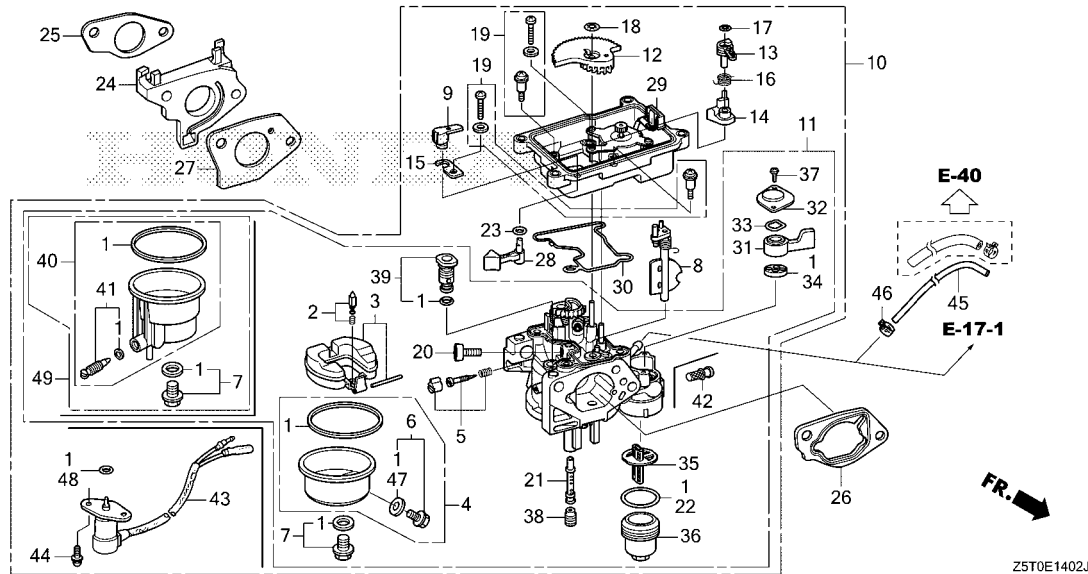
CARBURETOR(3)

Ref. No.	Part No.	Description	Reqd. QTY					Serial No.	Parts catalogue code	
			GX 390 UT1	GX 390 UT2	GX 390 RT1	GX 390 RT2	GX 390 UT2X			
6	16024-Z5T-901	SCREW SET, DRAIN.....	-	1	-	-	1	-----	-----	QZA2, QZAV, QZC, QZD, QZDS, QZHW, QZME, QZN2, QZND, QZNH, QZNR, QZRL, QZRV, QZX9, QZXR, SZEC, VZS9, VZX7, VZX8
	16024-124-760	-	-	-	-	1	-----	-----	VZC2, VZP9
7	16028-Z5T-901	SCREW SET.....	-	1	-	-	1	-----	-----	QZA2, QZAV, QZC, QZD, QZDS, QZHW, QZME, QZN2, QZND, QZNH, QZNR, QZRL, QZRV, QZX9, QZXR, SZEC, VZS9, VZX7, VZX8
	16028-ZA0-931	-	-	-	-	1	-----	-----	VZWE
	(CARBURETOR NO.)	-	-	-	-	1	-----	-----	BE79A B EZD2, EZDM, EZDS, EZDV, VZXZ
	16028-Z7E-E61	-	-	-	-	1	-----	-----	1702262 VZP9
	(CARBURETOR NO.)	-	-	-	-	1	-----	-----	1703010 VZC2
8	16044-Z5T-W11	CHÓKE SET.....	-	1	-	-	-	-----	-----	BE79A C ----- VZXZ
	16044-Z5T-W01	-	1	-	-	-	-----	-----	BEC5A A ----- EZD2, EZDM, EZDS, EZDV
	16044-Z5T-W11	-	1	-	-	-	-----	-----	QZC, QZD, QZDS, QZME, QZND, QZRL, QZRV, SZEC, VZS9
	16044-Z5T-W01	-	1	-	-	-	-----	-----	QZNH
	16044-Z5T-W11	-	1	-	-	-	-----	-----	1698869 QZAV
	16044-Z5T-W01	-	1	-	-	-	-----	-----	1699581 VZX7, VZX8
	16044-Z5T-W11	-	1	-	-	-	-----	-----	1700173 QZXR
	16044-Z5T-W01	-	1	-	-	-	-----	-----	1700869 QZA2, QZX9
	16044-Z5T-W11	-	1	-	-	-	-----	-----	1701133 QZN2, QZNR
	16044-Z5T-W01	-	1	-	-	-	-----	-----	2999999 QZHW
	16044-Z5T-W11	-	1	-	-	-	-----	-----	1698870 QZAV
	16044-Z5T-W01	-	1	-	-	-	-----	-----	1699582 VZX7, VZX8
	16044-Z5T-W11	-	1	-	-	-	-----	-----	1700174 QZXR
	16044-Z5T-W01	-	1	-	-	-	-----	-----	1700870 QZA2, QZX9
	16044-Z5T-W11	-	1	-	-	-	-----	-----	1701134 QZN2, QZNR
	16044-Z5T-W01	-	1	-	-	-	-----	-----	3000001 QZHW
	16044-Z5T-W11	-	1	-	-	-	-----	-----	EZD2, EZDM, EZDS, VZWE, VZXZ
	16044-Z5T-W01	-	1	-	-	-	-----	-----	1702261 VZP9
	16044-Z5T-W11	-	1	-	-	-	-----	-----	1703009 VZC2
	16044-Z5T-W01	-	1	-	-	-	-----	-----	1878314 EZDV
	16044-Z5T-W11	-	1	-	-	-	-----	-----	1702262 VZP9
	16044-Z5T-W01	-	1	-	-	-	-----	-----	1703010 VZC2
	16044-Z5T-W11	-	1	-	-	-	-----	-----	1878315 EZDV
	16044-Z5T-W01	-	1	-	-	-	-----	-----	QZA2, QZAV, QZD, QZN2, QZNR, QZRL, QZXR, VZX7, VZX8
9	16045-Z5T-W01	ARM, MANUAL START.....	-	1	-	-	1	-----	-----	QZHW
	16045-Z5T-W01	-	1	-	-	1	-----	-----	EZD2, EZDM, EZDS, EZDV, QZA2, QZAV, QZC, QZD, QZDS, QZHW, QZME, QZN2, QZND, QZNH, QZNR, QZRL, QZRV, QZX9, QZXR, SZEC, VZC2, VZP9, VZS9, VZWE, VZX7, VZX8, VZXZ
10	16100-Z5T-W11	CARBURETOR ASSY.(BE92G A)....	-	1	-	-	-	-----	-----	QZC, QZDS, QZRV, SZEC
	16100-Z5T-W02	CARBURETOR ASSY.(BE92B A)....	-	1	-	-	-	-----	-----	QZNH
	16100-Z5T-W01	-	1	-	-	-	-----	-----	1053099 QZA2, QZNR, QZX9
	16100-Z5T-W11	-	1	-	-	-	-----	-----	1063558 VZX7, VZX8
	16100-Z5T-W02	-	1	-	-	-	-----	-----	1116798 QZXR
	16100-Z5T-W11	-	1	-	-	-	-----	-----	1126332 QZAV
	16100-Z5T-W02	-	1	-	-	-	-----	-----	1251688 QZN2
	16100-Z5T-W11	-	1	-	-	-	-----	-----	2999999 QZD, QZHW, QZME, QZND, QZRL, VZS9
	16100-Z5T-W02	-	1	-	-	-	-----	-----	1053100 1700869 QZA2, QZX9
	16100-Z5T-W11	-	1	-	-	-	-----	-----	1053100 1701133 QZNR
	16100-Z5T-W02	-	1	-	-	-	-----	-----	1063559 1699581 VZX7, VZX8
	16100-Z5T-W11	-	1	-	-	-	-----	-----	1116799 1700173 QZXR
	16100-Z5T-W02	-	1	-	-	-	-----	-----	1126333 1698869 QZAV
	16100-Z5T-W11	-	1	-	-	-	-----	-----	1251689 1701133 QZN2
	16100-Z5T-W02	-	1	-	-	-	-----	-----	1698870 2999999 QZAV
	16100-Z5T-W11	-	1	-	-	-	-----	-----	1699582 2999999 VZX7, VZX8
	16100-Z5T-W02	-	1	-	-	-	-----	-----	1700174 2999999 QZXR
	16100-Z5T-W11	-	1	-	-	-	-----	-----	1700870 ----- QZX9
	16100-Z5T-W02	-	1	-	-	-	-----	-----	1700870 2999999 QZA2
	16100-Z5T-W11	-	1	-	-	-	-----	-----	1701134 2999999 QZN2, QZNR



E-14-2

CARBURETOR(3)



Ref. No.	Part No.	Description	Reqd. QTY					Serial No.	Parts catalogue code
			GX 390 UT1	GX 390 UT2	GX 390 RT1	GX 390 RT2	GX 390 UT2X		
10)	16100-Z5T-WG1	CARBURETOR ASSY.(BEC2A A)	-	1	-	-	-	3000001	----- QZA2,QZAV,QZD,QZME,QZN2,QZND,QZNR,QZRL,QZXR,VZS9,VZX7 VZX8
	16100-Z5T-WH1	CARBURETOR ASSY.(BEC2B A)	-	1	-	-	-	3000001	3484068 QZHW
	16100-ZBH-W12	CARBURETOR ASSY.(BE79A B)	-	-	-	1	-	3484069	----- QZHW
	16100-ZBH-W01	CARBURETOR ASSY.(BE96B A)	-	-	-	1	-	-----	1702261 VZP9
			-	-	-	1	-	-----	1703009 VZC2
	16100-ZBH-W11	CARBURETOR ASSY.(BE79A A)	-	-	-	1	-	-----	1878314 EZDV
	16100-ZBH-W12	CARBURETOR ASSY.(BE79A B)	-	-	-	1	-	-----	2570761 VZXZ
			-	-	-	1	-	-----	2999999 EZD2,EZDM,EZDS
			-	-	-	1	-	1702262	----- VZP9
			-	-	-	1	-	1703010	----- VZC2
			-	-	-	1	-	1878315	2999999 EZDV
	16100-ZBH-W13	CARBURETOR ASSY.(BE79A C)	-	-	-	1	-	2570762	2999999 VZXZ
	16100-ZBH-WD1	CARBURETOR ASSY.(BEC5A A)	-	-	-	1	-	3000001	----- EZD2,EZDM,EZDS,EZDV,VZXZ
	16100-Z5T-WG1	CARBURETOR ASSY.(BEC2A A)	-	-	-	1	-	-----	----- QZA2,QZAV,QZD,QZN2,QZNR,QZRL,QZXR,VZX7,VZX8
	16100-Z5T-WH1	CARBURETOR ASSY.(BEC2B A)	-	-	-	1	-	-----	----- QZHW
11	16110-Z5T-W11	CARBURETOR SET	-	1	-	-	-	-----	----- QZC,QZDS,QZRV,SZEC,VZS9
	16110-Z5T-W02	-	1	-	-	-	-----	----- QZNH
	16110-Z5T-W01	-	1	-	-	-	1053099	QZA2,QZNR,QZX9
			-	1	-	-	-	1063558	VZX7,VZX8
			-	1	-	-	-	1116798	QZXR
			-	1	-	-	-	1126332	QZAV
			-	1	-	-	-	1251688	QZN2
	16110-Z5T-W11	-	1	-	-	-	2999999	QZD,QZME,QZND,QZRL
			-	1	-	-	-	-----	BE92G A QZHW



E-14-2

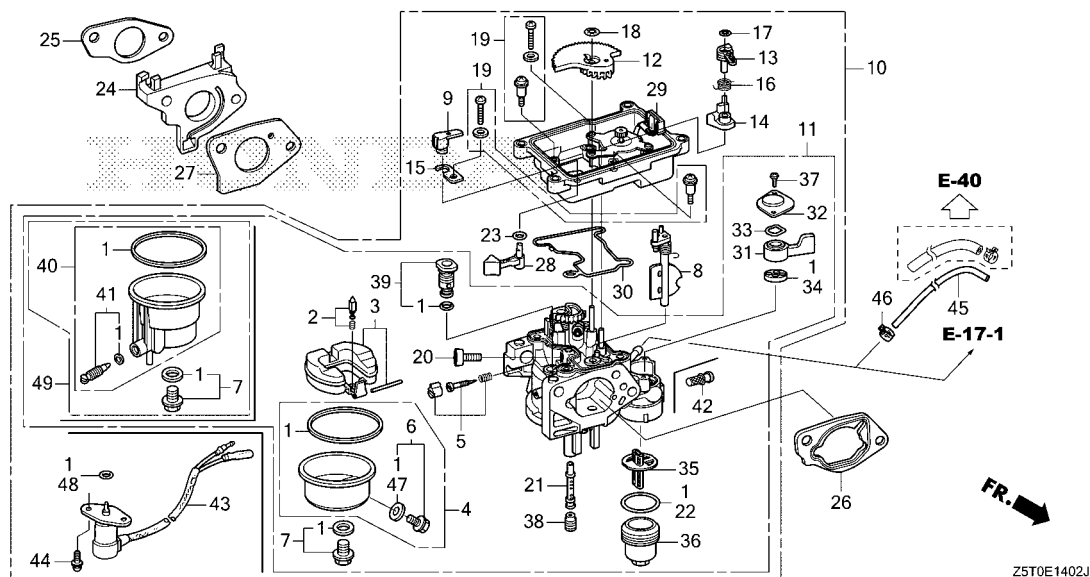
CARBURETOR(3)

Ref. No.	Part No.	Description	Reqd. QTY					Serial No.	Parts catalogue code
			GX 390 UT1	GX 390 UT2	GX 390 RT1	GX 390 RT2	GX 390 UT2X		
11)	16110-Z5T-W02	CARBURETOR SET	-	1	-	-	-	1053100	1700869 QZA2, QZX9
			-	1	-	-	-	1053100	1701133 QZNR
			-	1	-	-	-	1063559	1699581 VZX7, VZX8
			-	1	-	-	-	1116799	1700173 QZXR
			-	1	-	-	-	1126333	1698869 QZAV
			-	1	-	-	-	1251689	1701133 QZN2
			-	1	-	-	-	1698870	2999999 QZAV
			-	1	-	-	-	1699582	----- VZX7, VZX8
			-	1	-	-	-	1700174	2999999 QZXR
			-	1	-	-	-	1700870	----- QZX9
			-	1	-	-	-	1700870	2999999 QZA2
16110-Z5T-W11	-	1	-	-	-	1701134	2999999 QZN2, QZNR
			-	1	-	-	-	3000001	----- QZA2, QZAV, QZD, QZME, QZN2, QZND, QZNR, QZRL, QZXR, VZS9, VZX7, VZX8
			-	1	-	-	-	BEC2A A	BEC2A A QZHW
			-	1	-	-	-	BEC2B A	----- QZHW
			-	-	-	-	1	-----	VZWE
			-	-	-	-	1	-----	1702261 VZP9
			-	-	-	-	1	-----	1703009 VZC2
			-	-	-	-	1	-----	1878314 EZDV
			-	-	-	-	1	-----	2999999 EZD2
			-	-	-	-	1	-----	BE79A B EZDM, EZDS
			-	-	-	-	1	-----	BE79A C VZXZ
16110-Z5T-WG1	(CARBURETOR NO.)	-	-	-	-	1	-----	1702262 VZP9
			-	-	-	-	1	-----	1703010 VZC2
			-	-	-	-	1	-----	1878315 2999999 EZDV
			-	-	-	-	1	-----	3000001 ----- EZD2, EZDV
			-	-	-	1	-	BE79A C	BE79A C VZXZ
			-	-	-	1	-	BEC5A A	----- EZDM, EZDS, VZXZ
			-	-	-	-	1	-----	QZA2, QZAV, QZD, QZN2, QZNR, QZRL, QZXR, VZX7, VZX8
			-	-	-	-	1	-----	QZHW
			-	-	-	-	1	-----	QZC, QZD, QZDS, QZHW, QZME, QZND, QZRL, QZRV, SZEC, VZS9
			-	-	-	-	1	-----	QZNR
			-	-	-	-	1	-----	1698869 QZAV
16110-ZBH-W12	-	-	-	-	1	-----	1699581 VZX7, VZX8
			-	-	-	-	1	-----	1700173 QZXR
			-	-	-	-	1	-----	1700869 QZA2, QZX9
			-	-	-	-	1	-----	1701133 QZN2, QZNR
			-	-	-	-	1	-----	1698870 QZAV
			-	-	-	-	1	-----	1699582 ----- VZX7, VZX8
			-	-	-	-	1	-----	1700174 ----- QZXR
			-	-	-	-	1	-----	1700870 ----- QZA2, QZX9
			-	-	-	-	1	-----	1701134 ----- QZN2, QZNR
			-	-	-	-	1	-----	----- EZDM, EZDS, VZXZ
			-	-	-	-	1	-----	1701533 EZD2, VZWE
16110-ZBH-W11	-	-	-	-	1	-----	1702261 VZP9
			-	-	-	-	1	-----	1703009 VZC2
			-	-	-	-	1	-----	1878314 EZDV
			-	-	-	-	1	-----	1701534 ----- EZD2, VZWE
			-	-	-	-	1	-----	1702262 ----- VZP9
			-	-	-	-	1	-----	1703010 ----- VZC2
			-	-	-	-	1	-----	1878315 ----- EZDV
			-	-	-	-	1	-----	----- QZA2, QZAV, QZD, QZHW, QZN2, QZNR, QZRL, QZXR, VZX7, VZX8
			-	-	-	-	1	-----	-----
			-	-	-	-	1	-----	-----
			-	-	-	-	1	-----	-----



E-14-2

CARBURETOR(3)



Z5T0E1402J

Ref. No.	Part No.	Description	Reqd. QTY					Serial No.	Parts catalogue code
			GX 390 UT1	GX 390 UT2	GX 390 RT1	GX 390 RT2	GX 390 UT2X		
13	16112-Z5T-W01	ARM, CHOKE	-	1	-	1	1	-----	EZD2, EZDM, EZDS, EZDV, QZA2, QZAV, QZC, QZD, QZDS, QZHW, QZME, QZN2, QZND, QZNH, QZNR, QZRL, QZRV, QZX9, QZXR, SZEC, VZC2, VZP9, VZS9, VZWE, VZX7, VZX8, VZXZ
14	16113-Z5T-W01	LEVER, CHOKE CONTROL	-	1	-	1	1	-----	EZD2, EZDM, EZDS, EZDV, QZA2, QZAV, QZC, QZD, QZDS, QZHW, QZME, QZN2, QZND, QZNH, QZNR, QZRL, QZRV, QZX9, QZXR, SZEC, VZC2, VZP9, VZS9, VZWE, VZX7, VZX8, VZXZ
15	16115-Z5T-W01	PLATE	-	1	-	1	1	-----	EZD2, EZDM, EZDS, EZDV, QZA2, QZAV, QZC, QZD, QZDS, QZHW, QZME, QZN2, QZND, QZNH, QZNR, QZRL, QZRV, QZX9, QZXR, SZEC, VZC2, VZP9, VZS9, VZWE, VZX7, VZX8, VZXZ
16	16116-Z5T-W01	SPRING, TORSION COIL	-	1	-	1	1	-----	EZD2, EZDM, EZDS, EZDV, QZA2, QZAV, QZC, QZD, QZDS, QZHW, QZME, QZN2, QZND, QZNH, QZNR, QZRL, QZRV, QZX9, QZXR, SZEC, VZC2, VZP9, VZS9, VZWE, VZX7, VZX8, VZXZ
17	16117-Z5T-W01	CLIP, SPECIAL	-	1	-	1	1	-----	EZD2, EZDM, EZDS, EZDV, QZA2, QZAV, QZC, QZD, QZDS, QZHW, QZME, QZN2, QZND, QZNH, QZNR, QZRL, QZRV, QZX9, QZXR, SZEC, VZC2, VZP9, VZS9, VZWE, VZX7, VZX8, VZXZ
18	16118-Z5T-W01	CLIP, SPECIAL	-	1	-	1	1	-----	EZD2, EZDM, EZDS, EZDV, QZA2, QZAV, QZC, QZD, QZDS, QZHW, QZME, QZN2, QZND, QZNH, QZNR, QZRL, QZRV, QZX9, QZXR, SZEC, VZC2, VZP9, VZS9, VZWE, VZX7, VZX8, VZXZ
19	16119-Z5T-W01	SCREW SET	-	2	-	2	2	-----	EZD2, EZDM, EZDS, EZDV, QZA2, QZAV, QZC, QZD, QZDS, QZHW, QZME, QZN2, QZND, QZNH, QZNR, QZRL, QZRV, QZX9, QZXR, SZEC, VZC2, VZP9, VZS9, VZWE, VZX7, VZX8, VZXZ
20	16124-Z5T-W01	SCREW, STOP	-	1	-	1	1	-----	EZD2, EZDM, EZDS, EZDV, QZA2, QZAV, QZC, QZD, QZDS, QZHW, QZME, QZN2, QZND, QZNH, QZNR, QZRL, QZRV, QZX9, QZXR, SZEC, VZC2, VZP9, VZS9, VZWE, VZX7, VZX8, VZXZ
21	16166-Z5T-WG1 16166-Z5T-W11	NOZZLE, MAIN	-	1	-	1	-	3000001 -----	EZD2, EZDM, EZDS, EZDV, QZA2, QZAV, QZD, QZHW, QZME, QZN2, QZND, QZNR, QZRL, QZXR, VZS9, VZX7, VZX8, VZXZ QZC, QZDS, QZRV, SZEC

E-14-2

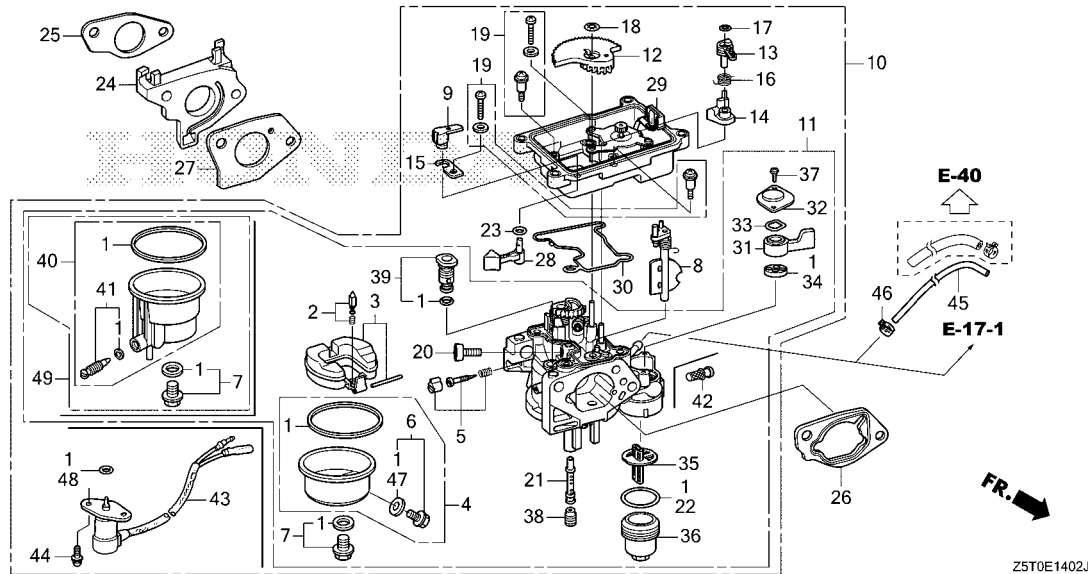
CARBURETOR(3)

Ref. No.	Part No.	Description	Reqd. QTY					Serial No.	Parts catalogue code
			GX 390 UT1	GX 390 UT2	GX 390 RT1	GX 390 RT2	GX 390 UT2X		
21)	16166-Z5T-W02	NOZZLE, MAIN	-	1	-	-	-	QZNH	
	16166-Z5T-W01		-	1	-	-	-	1053099 QZA2, QZNR, QZX9	
			-	1	-	-	-	1063558 VZX7, VZX8	
			-	1	-	-	-	1116798 QZXR	
			-	1	-	-	-	1126332 QZAV	
			-	1	-	-	-	1251688 QZN2	
	16166-Z5T-W11		-	1	-	-	-	2999999 QZD, QZHW, QZME, QZND, QZRL, VZS9	
	16166-Z5T-W02		-	1	-	-	1053100	1700869 QZA2, QZX9	
			-	1	-	-	1053100	1701133 QZNR	
			-	1	-	-	1063559	1699581 VZX7, VZX8	
			-	1	-	-	1116799	1700173 QZXR	
			-	1	-	-	1126333	1698869 QZAV	
			-	1	-	-	1251689	1701133 QZN2	
	16166-Z5T-W11		-	1	-	-	1698870	2999999 QZAV	
			-	1	-	-	1699582	2999999 VZX7, VZX8	
			-	1	-	-	1700174	2999999 QZXR	
			-	1	-	-	1700870	QZX9	
			-	1	-	-	1700870	2999999 QZA2	
			-	1	-	-	1701134	2999999 QZN2, QZNR	
	16166-ZBH-W11		-	-	-	1	-	VZWE	
	16166-Z1C-D21		-	-	-	1	-	1702261 VZP9	
			-	-	-	1	-	1703009 VZC2	
	16166-ZBH-W11		-	-	-	1	-	2999999 EZD2, EZDM, EZDS, EZDV, VZXZ	
			-	-	-	1	-	1702262 VZP9	
			-	-	-	1	-	1703010 VZC2	
	16166-Z5T-WG1		-	-	-	1	-	QZA2, QZAV, QZD, QZHW, QZN2, QZNR, QZRL, QZXR, VZX7, VZX8	
22	16173-001-004	O-RING	-	1	-	-	1	QZA2, QZAV, QZC, QZD, QZDS, QZHW, QZME, QZN2, QZND, QZNH, QZNR, QZRL, QZRV, QZX9, QZXR, SZEC, VZS9, VZX7, VZX8	
23	16178-ZJ0-911	O-RING, 4.8X1.9	-	1	-	1	1	EZD2, EZDM, EZDS, EZDV, QZA2, QZAV, QZC, QZD, QZDS, QZHW, QZME, QZN2, QZND, QZNH, QZNR, QZRL, QZRV, QZX9, QZXR, SZEC, VZC2, VZP9, VZS9, VZWE, VZX7, VZX8, VZXZ	
24	16211-Z5T-W00	INSULATOR, CARBURETOR	-	1	-	1	1	QZA2, QZAV, QZC, QZD, QZDS, QZHW, QZME, QZN2, QZND, QZNH, QZNR, QZRL, QZRV, QZX9, QZXR, SZEC, VZC2, VZP9, VZS9, VZX7, VZX8	
	16211-Z8T-W00		-	-	-	1	-	EZD2, EZDM, EZDS, EZDV, VZWE, VZXZ	
25	16212-Z5T-000	PACKING, CARBURETOR INSULATOR	-	1	-	1	1	EZD2, EZDM, EZDS, EZDV, QZA2, QZAV, QZC, QZD, QZDS, QZHW, QZME, QZN2, QZND, QZNH, QZNR, QZRL, QZRV, QZX9, QZXR, SZEC, VZC2, VZP9, VZS9, VZWE, VZX7, VZX8, VZXZ	
26	16220-ZA0-702	SPACER COMP., CARBURETOR	-	1	-	1	1	EZD2, EZDM, EZDS, EZDV, QZA2, QZAV, QZC, QZD, QZDS, QZHW, QZME, QZN2, QZND, QZNH, QZNR, QZRL, QZRV, QZX9, QZXR, SZEC, VZC2, VZP9, VZS9, VZWE, VZX7, VZX8, VZXZ	
27	16221-Z5T-000	PACKING, CARBURETOR	-	1	-	1	1	QZA2, QZAV, QZC, QZD, QZDS, QZHW, QZME, QZN2, QZND, QZNH, QZNR, QZRL, QZRV, QZX9, QZXR, SZEC, VZC2, VZP9, VZS9, VZX7, VZX8	
	16221-Z8T-000		-	-	-	1	-	VZWE	
	16221-Z8T-800		-	-	-	1	-	VZXZ	
	16221-Z8T-000		-	-	-	1	-	2319372 EZD2, EZDM, EZDS, EZDV	
	16221-Z8T-800		-	-	-	1	-	2319373 EZD2, EZDM, EZDS, EZDV	
28	16612-Z5T-W01	LEVER, MANUAL START	-	1	-	1	1	EZD2, EZDV, QZA2, QZAV, QZC, QZD, QZDS, QZHW, QZME, QZN2, QZND, QZNH, QZNR, QZRL, QZRV, QZX9, QZXR, SZEC, VZC2, VZP9, VZS9, VZWE, VZX7, VZX8, VZXZ	
29	16646-Z5T-W01	CASE COMP., MOTOR	-	1	-	1	1	EZD2, EZDM, EZDS, EZDV, QZA2, QZAV, QZC, QZD, QZDS, QZHW, QZME, QZN2, QZND, QZNH, QZNR, QZRL, QZRV, QZX9, QZXR, SZEC, VZC2, VZP9, VZS9, VZWE, VZX7, VZX8, VZXZ	
30	16648-Z5T-W01	U-RING	-	1	-	1	1	EZD2, EZDM, EZDS, EZDV, QZA2, QZAV, QZC, QZD, QZDS, QZHW, QZME, QZN2, QZND, QZNH, QZNR, QZRL, QZRV, QZX9, QZXR, SZEC, VZC2, VZP9, VZS9, VZWE, VZX7, VZX8, VZXZ	



E-14-2

CARBURETOR(3)



Z5T0E1402J

Ref. No.	Part No.	Description	Reqd. QTY					Serial No.	Parts catalogue code
			GX 390 UT1	GX 390 UT2	GX 390 RT1	GX 390 RT2	GX 390 UT2X		
31	16953-ZE1-812	LEVER, COCK	-	1	-	-	1	-----	QZA2, QZAV, QZC, QZD, QZDS, QZHW, QZME, QZN2, QZND, QZNH, QZNR, QZRL QZRV, QZX9, QZXR, SZEC, VZS9, VZX7, VZX8
32	16954-ZE1-812	PLATE, LEVER SETTING	-	1	-	-	1	-----	QZA2, QZAV, QZC, QZD, QZDS, QZHW, QZME, QZN2, QZND, QZNH, QZNR, QZRL QZRV, QZX9, QZXR, SZEC, VZS9, VZX7, VZX8
33	16956-ZE1-811	SPRING, COCK LEVER	-	1	-	-	1	-----	QZA2, QZAV, QZC, QZD, QZDS, QZHW, QZME, QZN2, QZND, QZNH, QZNR, QZRL QZRV, QZX9, QZXR, SZEC, VZS9, VZX7, VZX8
34	16957-ZE1-812	PACKING, FUEL COCK	-	1	-	-	1	-----	QZA2, QZAV, QZC, QZD, QZDS, QZHW, QZME, QZN2, QZND, QZNH, QZNR, QZRL QZRV, QZX9, QZXR, SZEC, VZS9, VZX7, VZX8
35	16959-Z5T-901	FILTER, CUP	-	1	-	-	1	-----	QZA2, QZAV, QZC, QZD, QZDS, QZHW, QZME, QZN2, QZND, QZNH, QZNR, QZRL QZRV, QZX9, QZXR, SZEC, VZS9, VZX7, VZX8
36	16967-ZE0-811	CUP, FUEL STRAINER	-	1	-	-	1	-----	QZA2, QZAV, QZC, QZD, QZDS, QZHW, QZME, QZN2, QZND, QZNH, QZNR, QZRL QZRV, QZX9, QZXR, SZEC, VZS9, VZX7, VZX8
37	93500-03006-1H	SCREW, PAN, 3X6	-	2	-	-	2	-----	QZA2, QZAV, QZC, QZD, QZDS, QZHW, QZME, QZN2, QZND, QZNH, QZNR, QZRL QZRV, QZX9, QZXR, SZEC, VZS9, VZX7, VZX8
38	99101-ZH8-0920	JET, MAIN, #92	-	(1)	-	(1)	-	-----	QZNH, VZWE
	99101-ZH8-0950	JET, MAIN, #95	-	(1)	-	-	-	-----	QZA2, QZX9
	99101-ZH8-1020	JET, MAIN, #102	-	(1)	-	-	-	-----	QZC, QZD, QZDS, QZME, QZND, QZRL, QZRV, SZEC, VZS9
	99101-ZH8-0980	JET, MAIN, #98	-	(1)	-	-	-	-----	QZC, QZDS, QZNH, QZRV, SZEC
	99101-ZH8-1050	JET, MAIN, #105	-	1	-	-	-	-----	QZC, QZDS, QZRV, SZEC
	99101-ZH8-1000	JET, MAIN, #100	-	1	-	-	-	-----	QZNH
	99101-ZH8-0880	JET, MAIN, #88	-	(1)	-	-	-	1053099	QZA2, QZNR, QZX9
	99101-ZH8-0900	JET, MAIN, #90	-	(1)	-	-	-	1053099	QZA2, QZNR, QZX9
	99101-ZH8-1020	JET, MAIN, #102	-	1	-	-	-	1053099	QZA2, QZNR, QZX9
			-	1	-	-	-	1063558	VZX7, VZX8
	99101-ZH8-0900	JET, MAIN, #90	-	(1)	-	-	-	1063558	VZX8
	99101-ZH8-0950	JET, MAIN, #95	-	(1)	-	-	-	1063558	VZX8
	99101-ZH8-0880	JET, MAIN, #88	-	(1)	-	-	-	1116798	QZXR
	99101-ZH8-0900	JET, MAIN, #90	-	(1)	-	-	-	1116798	QZXR

E-14-2

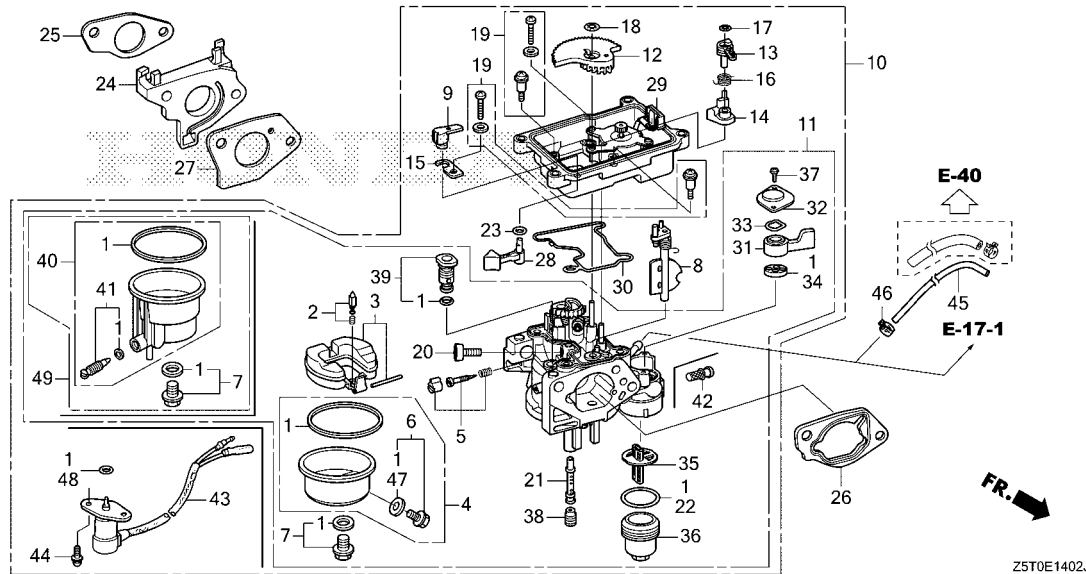
CARBURETOR(3)

Ref. No.	Part No.	Description	Reqd. QTY					Serial No.	Parts catalogue code
			GX 390 UT1	GX 390 UT2	GX 390 RT1	GX 390 RT2	GX 390 UT2X		
38)	99101-ZH8-1020	JET, MAIN, #102	-	1	-	-	-	1116798 QZXR	
	99101-ZH8-0880	JET, MAIN, #88	-	(1)	-	-	-	1126332 QZAV	
	99101-ZH8-0900	JET, MAIN, #90	-	(1)	-	-	-	1126332 QZAV	
	99101-ZH8-1020	JET, MAIN, #102	-	1	-	-	-	1126332 QZAV	
	99101-ZH8-0880	JET, MAIN, #88	-	(1)	-	-	-	1251688 QZN2	
	99101-ZH8-0900	JET, MAIN, #90	-	(1)	-	-	-	1251688 QZN2	
	99101-ZH8-1020	JET, MAIN, #102	-	1	-	-	-	1251688 QZN2	
	99101-ZH8-0980	JET, MAIN, #98	-	(1)	-	-	-	2999999 QZD, QZME, QZN2, QZND, QZRL, QZXR, VZS9	
	99101-ZH8-1050	JET, MAIN, #105	-	1	-	-	-	2999999 QZD, QZME, QZND, QZRL, VZS9	
	99101-ZH8-0980	JET, MAIN, #98	-	(1)	-	-	-		
		(CARBURETOR NO.)	-	(1)	-	-	-	BE92G A QZHW	
	99101-ZH8-1020	JET, MAIN, #102	-	(1)	-	-	-	BEC2A A QZHW	
		(CARBURETOR NO.)	-	(1)	-	-	-		
	99101-ZH8-1050	JET, MAIN, #105	-	(1)	-	-	-	BE92G A QZHW	
		(CARBURETOR NO.)	-	(1)	-	-	-		
	99101-ZH8-0980	JET, MAIN, #98	-	(1)	-	-	1053100	----- QZX9	
	99101-ZH8-0920	JET, MAIN, #92	-	(1)	-	-	1053100	1700869 QZA2, QZX9	
	99101-ZH8-1000	JET, MAIN, #100	-	1	-	-	1053100	1700869 QZA2, QZX9	
	99101-ZH8-0920	JET, MAIN, #92	-	(1)	-	-	1053100	1701133 QZNR	
	99101-ZH8-1000	JET, MAIN, #100	-	1	-	-	1053100	1701133 QZNR	
	99101-ZH8-0980	JET, MAIN, #98	-	(1)	-	-	1053100	2999999 QZA2, QZNR	
	99101-ZH8-0920	JET, MAIN, #92	-	(1)	-	-	1063559	1699581 VZX7, VZX8	
	99101-ZH8-1000	JET, MAIN, #100	-	1	-	-	1063559	1699581 VZX7, VZX8	
	99101-ZH8-0980	JET, MAIN, #98	-	(1)	-	-	1063559	2999999 VZX7, VZX8	
	99101-ZH8-0920	JET, MAIN, #92	-	(1)	-	-	1116799	1700173 QZXR	
	99101-ZH8-1000	JET, MAIN, #100	-	1	-	-	1116799	1700173 QZXR	
	99101-ZH8-0920	JET, MAIN, #92	-	(1)	-	-	1126333	1698869 QZAV	
	99101-ZH8-1000	JET, MAIN, #100	-	1	-	-	1126333	1698869 QZAV	
	99101-ZH8-0980	JET, MAIN, #98	-	(1)	-	-	1126333	2999999 QZAV	
		(CARBURETOR NO.)	-	(1)	-	-	1251689	----- QZN2	
	99101-ZH8-0920	JET, MAIN, #92	-	(1)	-	-	1251689	1701133 QZN2	
	99101-ZH8-1000	JET, MAIN, #100	-	1	-	-	1251689	1701133 QZN2	
	99101-ZH8-1020	JET, MAIN, #102	-	(1)	-	-	1698870	----- QZAV	
	99101-ZH8-1050	JET, MAIN, #105	-	1	-	-	1698870	2999999 QZA2, QZAV	
	99101-ZH8-1020	JET, MAIN, #102	-	(1)	-	-	1699582	----- VZX7, VZX8	
	99101-ZH8-1050	JET, MAIN, #105	-	1	-	-	1699582	----- VZX7, VZX8	
		(CARBURETOR NO.)	-	1	-	-	1699582	2999999 VZX7, VZX8	
	99101-ZH8-1020	JET, MAIN, #102	-	(1)	-	-	1700174	----- QZXR	
	99101-ZH8-1050	JET, MAIN, #105	-	1	-	-	1700174	2999999 QZXR	
	99101-ZH8-1020	JET, MAIN, #102	-	(1)	-	-	1700870	----- QZA2, QZX9	
	99101-ZH8-1050	JET, MAIN, #105	-	1	-	-	1700870	----- QZX9	
	99101-ZH8-1020	JET, MAIN, #102	-	(1)	-	-	1701134	----- QZN2, QZNR	
	99101-ZH8-1050	JET, MAIN, #105	-	1	-	-	1701134	2999999 QZN2, QZNR	
		(CARBURETOR NO.)	-	(1)	-	-	3000001	----- QZA2, QZAV, QZD, QZME, QZN2, QZND, QZNR, QZRL, QZXR, VZS9, VZX7, VZX8	
	99101-ZH8-1080	JET, MAIN, #108	-	1	-	-	3000001	----- QZA2, QZAV, QZD, QZME, QZN2, QZND, QZNR, QZRL, QZXR, VZS9, VZX7, VZX8	
	99101-ZH8-1050	JET, MAIN, #105	-	(1)	-	-	BEC2A A	----- QZHW	
		(CARBURETOR NO.)	-	(1)	-	-	BEC2A A	----- QZHW	
	99101-ZH8-1000	JET, MAIN, #100	-	(1)	-	-	BEC2B A	----- QZHW	
		(CARBURETOR NO.)	-	(1)	-	-	BEC2B A	----- QZHW	
	99101-ZH8-0880	JET, MAIN, #88	-	-	-	(1)	-	----- VZWE	
	99101-ZH8-0950	JET, MAIN, #95	-	-	-	1	-	----- VZWE	
	99101-ZH8-0980	JET, MAIN, #98	-	-	-	(1)	-	1702261 VZP9	
	99101-ZH8-1020	JET, MAIN, #102	-	-	-	(1)	-	1702261 VZP9	
	99101-ZH8-1050	JET, MAIN, #105	-	-	-	1	-	1702261 VZP9	



E-14-2

CARBURETOR(3)



Z5T0E1402J

Ref. No.	Part No.	Description	Reqd. QTY					Serial No.	Parts catalogue code
			GX 390 UT1	GX 390 UT2	GX 390 RT1	GX 390 RT2	GX 390 UT2X		
38)	99101-ZH8-0980	JET, MAIN, #98	-	-	-	(1)	-	1703009 VZC2	
	99101-ZH8-1020	JET, MAIN, #102	-	-	-	(1)	-	1703009 VZC2	
	99101-ZH8-1050	JET, MAIN, #105	-	-	-	(1)	-	1703009 VZC2	
	99101-ZH8-0880	JET, MAIN, #88	-	-	-	(1)	-	2999999 EZD2, EZDM, EZDS, EZDV, VZXZ	
	99101-ZH8-0920	JET, MAIN, #92	-	-	-	(1)	-	2999999 EZD2, EZDM, EZDS, EZDV, VZXZ	
	99101-ZH8-0950	JET, MAIN, #95	-	-	-	(1)	-	2999999 EZD2, EZDM, EZDS, EZDV, VZXZ	
	99101-ZH8-0880	JET, MAIN, #88	-	-	-	(1)	1702262	VZP9	
	99101-ZH8-0920	JET, MAIN, #92	-	-	-	(1)	1702262	VZP9	
	99101-ZH8-0950	JET, MAIN, #95	-	-	-	(1)	1702262	VZP9	
	99101-ZH8-0880	JET, MAIN, #88	-	-	-	(1)	1703010	VZC2	
	99101-ZH8-0920	JET, MAIN, #92	-	-	-	(1)	1703010	VZC2	
	99101-ZH8-0950	JET, MAIN, #95	-	-	-	(1)	1703010	VZC2	
	99101-ZH8-0980	JET, MAIN, #98	-	-	-	(1)	3000001	EZD2, EZDM, EZDS, EZDV, VZXZ	
	99101-ZH8-1000	JET, MAIN, #100	-	-	-	(1)	3000001	EZD2, EZDM, EZDS, EZDV, VZXZ	
	99101-ZH8-1050	JET, MAIN, #105	-	-	-	(1)	-	EZD2, EZDM, EZDS, EZDV, VZXZ	
	99101-ZH8-1080	JET, MAIN, #108	-	-	-	(1)	-	QZA2, QZAV, QZD, QZHW, QZN2, QZNR, QZRL, QZXR, VZX7, VZX8	
	99101-ZH8-1020	JET, MAIN, #102	-	-	-	(1)	-	QZA2, QZAV, QZD, QZHW, QZN2, QZNR, QZRL, QZXR, VZX7, VZX8	
	99101-ZH8-1000	JET, MAIN, #100	-	-	-	(1)	-	QZHW	
39	99204-ZE2-0400	JET SET, PILOT, #40	-	1	-	1	-	QZC, QZD, QZDS, QZME, QZND, QZRL, QZRV, SZEC, VZS9, VZWE	
	99204-ZE2-0380	JET SET, PILOT, #38	-	1	-	-	-	QZNH	
			-	1	-	-	-	1698869 QZAV	
			-	1	-	-	-	1699581 VZX7, VZX8	
			-	1	-	-	-	1700173 QZXR	
			-	1	-	-	-	1700869 QZA2, QZX9	
			-	1	-	-	-	1701133 QZN2, QZNR	



E-14-2

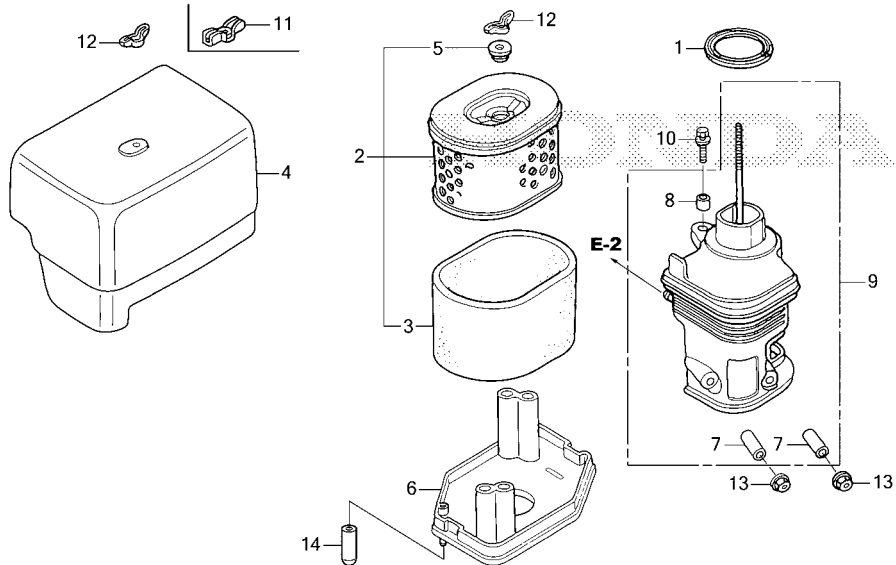
CARBURETOR(3)

Ref. No.	Part No.	Description	Reqd. QTY					Serial No.	Parts catalogue code
			GX 390 UT1	GX 390 UT2	GX 390 RT1	GX 390 RT2	GX 390 UT2X		
39)	99204-ZE2-0400	JET SET, PILOT, #40	-	1	-	-	-	1698870	----- QZAV
			-	1	-	-	-	1699582	----- VZX7, VZX8
			-	1	-	-	-	1700174	----- QZXR
			-	1	-	-	-	1700870	----- QZA2, QZX9
			-	1	-	-	-	1701134	----- QZN2, QZNR
	99204-ZE2-0450	JET SET, PILOT, #45	-	-	-	1	-	1702261	----- VZP9
			-	-	-	1	-	1703009	----- VZC2
	99204-ZE2-0400	JET SET, PILOT, #40	-	-	-	1	-	2999999	----- EZD2, EZDM, EZDS, EZDV, VZXZ
			-	-	-	1	-	1702262	----- VZP9
			-	-	-	1	-	1703010	----- VZC2
	99204-ZE0-0450	JET SET, PILOT, #45	-	-	-	1	-	3000001	----- EZD2, EZDM, EZDS, EZDV, VZXZ
	99204-ZE2-0400	JET SET, PILOT, #40	-	-	-	-	1	-----	----- QZA2, QZAV, QZD, QZHW, QZN2, QZNR, QZRL, QZXR, VZX7, VZX8
40	16015-ZA0-931	CHAMBER SET, FLOAT	-	-	-	1	-	-----	----- EZD2, EZDM, EZDS, EZDV, VZWE, VZXZ
			-	-	-	1	-	1702262	----- VZP9
			-	-	-	1	-	1703010	----- VZC2
41	16024-124-760	SCREW SET, DRAIN	-	-	-	1	-	-----	----- EZD2, EZDM, EZDS, EZDV, VZC2, VZP9, VZWE, VZXZ
42	16176-Z2G-D51	SCREEN, FUEL STRAINER	-	-	-	1	-	1702261	----- VZP9
			-	-	-	1	-	1703009	----- VZC2
43	16230-ZE3-702	VALVE ASSY., SOLENOID	-	-	-	1	-	-----	----- EZD2, EZDM, EZDS, EZDV, VZWE, VZXZ
			-	-	-	1	-	1702262	----- VZP9
			-	-	-	1	-	1703010	----- VZC2
44	93892-05012-18	SCREW-WASHER, 5X12	-	-	-	2	-	-----	----- EZD2, EZDM, EZDS, EZDV, VZWE, VZXZ
			-	-	-	2	-	1702262	----- VZP9
			-	-	-	2	-	1703010	----- VZC2
45	91424-Z5L-802	TUBE, FUEL, 4.5X235(FKM)	-	-	-	1	-	-----	----- 1023293 VZWE
	91424-Z5T-003	-	-	-	1	-	1023294	----- 1556825 VZWE
	91424-ZBH-851	TUBE, FUEL, 4.2X235(FKM)	-	-	-	1	-	1556826	----- VZWE
46	95002-40800-08	CLAMP, TUBE(D8)	-	-	-	1	-	-----	----- VZWE
47	16141-Z0S-003	WASHER, PLAIN(6.2X10.7 DRAIN)	-	1	-	1	1	-----	----- QZA2, QZAV, QZC, QZD, QZDS, QZHW, QZME, QZN2, QZND, QZNH, QZNR, QZRL, QZRV, QZX9, QZXR, SZEC, VZS9, VZX7, VZX8, VZXZ
48	16178-ZJ0-911	O-RING, 4.8X1.9	-	-	-	1	-	-----	----- EZD2, EZDM, EZDS, EZDV, VZWE, VZXZ
			-	-	-	1	-	1702262	----- VZP9
			-	-	-	1	-	1703010	----- VZC2
49	06160-Z1C-305	BOLT KIT, FUEL CHAMBER	-	-	-	1	-	-----	----- 1702261 VZP9
			-	-	-	1	-	-----	----- 1703009 VZC2



E-15

AIR CLEANER(1)



Ref. L.O.N. (Relative ref. Number) F.R.T.
 No. Description

Ref. No.	Part No.	Description	Reqd. QTY					Serial No.	Parts catalogue code
			GX 390 UT1	GX 390 UT2	GX 390 RT1	GX 390 RT2	GX 390 UT2X		
1	16271-ZE2-010	PACKING, ELBOW	1	-	1	-	-	HA2, LKE, LX2, LXE4, LXE8, LXQ4, LXU, PA2, PAE2, PXD8, PXE8, PXU, QA2, QA26, QA4, QAA2, QAA6, QAE2, QAE4, QAE6, QAW, QE, QHB4, QK4, QKA4, QME0, QME2, QNB2, QNE2, QNE6, QNE8, QNR2, QNR6, QTT, QWA2, QXB7, QXB9, QXE4, QXE6, QXE7, QXE8, QXE9, QXER, QXH9, QXQ4, QXU, QXUZ, SCK4, SHQ2, SHQ4, SM32, SMC1, SMC2, SMD3, SME0, SME6, STC4, SWA2, SWA4, SXB7, SXB9, SXE4, SXE8, SXQ4, SXU, VA2, VAC2, VAG2, VCN2, VD2, VDE2, VK2, VKB2, VM2, VN27, VNG1, VSD7, VSD9, VWC9, VWT4, VX8, VXB7, VXB9, VXE2, VXE6, VXE7, VXE8, VXE9, VXQ4	
2	17210-ZE3-010	ELEMENT, AIR CLEANER	1	-	1	-	-	HA2, LKE, LX2, LXE4, LXE8, LXQ4, LXU, PA2, PAE2, PXD8, PXE8, PXU, QA2, QA26, QA4, QAA2, QAA6, QAE2, QAE4, QAE6, QAW, QE, QHB4, QK4, QKA4, QME0, QME2, QNB2, QNE2, QNE6, QNE8, QNR2, QNR6, QTT, QWA2, QXB7, QXB9, QXE4, QXE6, QXE7, QXE8, QXE9, QXER, QXH9, QXQ4, QXU, QXUZ, SCK4, SHQ2, SHQ4, SM32, SMC1, SMC2, SMD3, SME0, SME6, STC4, SWA2, SWA4, SXB7, SXB9, SXE4, SXE8, SXQ4, SXU, VA2, VAC2, VAG2, VCN2, VD2, VDE2, VK2, VKB2, VM2, VN27, VNG1, VSD7, VSD9, VWC9, VWT4, VX8, VXB7, VXB9, VXE2, VXE6, VXE7, VXE8, VXE9, VXQ4	
3	17218-ZE3-000	FILTER, OUTER	1	-	1	-	-	HA2, LKE, LX2, LXE4, LXE8, LXQ4, LXU, PA2, PAE2, PXD8, PXE8, PXU, QA2, QA26, QA4, QAA2, QAA6, QAE2, QAE4, QAE6, QAW, QE, QHB4, QK4, QKA4, QME0, QME2, QNB2, QNE2, QNE6, QNE8, QNR2, QNR6, QTT, QWA2, QXB7, QXB9, QXE4, QXE6, QXE7, QXE8, QXE9, QXER, QXH9, QXQ4, QXU, QXUZ, SCK4, SHQ2, SHQ4, SM32, SMC1, SMC2, SMD3, SME0, SME6, STC4, SWA2, SWA4, SXB7, SXB9, SXE4, SXE8, SXQ4, SXU, VA2, VAC2, VAG2, VCN2, VD2, VDE2, VK2, VKB2, VM2, VN27, VNG1, VSD7, VSD9, VWC9, VWT4, VX8, VXB7, VXB9, VXE2, VXE6, VXE7, VXE8, VXE9, VXQ4	



E-15

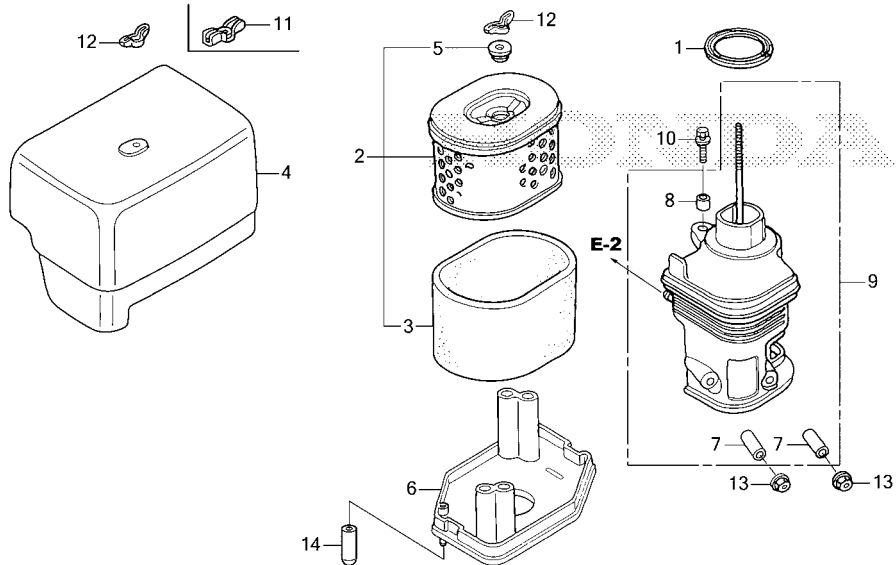
AIR CLEANER(1)

Ref. No.	Part No.	Description	Reqd. QTY					Serial No.	Parts catalogue code
			GX 390 UT1	GX 390 UT2	GX 390 RT1	GX 390 RT2	GX 390 UT2X		
4	17231-ZE3-W01	COVER, AIR CLEANER	1	-	1	-	-	HA2, LKE, LX2, LXE4, LXE8, LXQ4, LXU, PA2, PAE2, PXD8, PXE8, PXU, QA2, QA26, QA4, QAA2, QAA6, QAE2, QAE4, QAE6, QAW, QE, QHB4, QK4, QKA4, QME0, QME2, QNB2, QNE2, QNE6, QNE8, QNR2, QNR6, QTT, QWA2, QXB7, QXB9, QXE4, QXE6, QXE7, QXE8, QXE9, QXER, QXH9, QXQ4, QXU, QXUZ, SCK4, SHQ2, SHQ4, SM32, SMC1, SMC2, SMD3, SME0, SME6, STC4, SWA2, SWA4, SXB7, SXB9, SXE4, SXE8, SXQ4, SXU, VA2, VAC2, VAG2, VCN2, VD2, VDE2, VK2, VKB2, VM2, VN27, VNG1, VSD7, VSD9, VWC9, VWT4, VX8, VXB7, VXB9, VXE2, VXE6, VXE7, VXE8, VXE9, VXQ4	
5	17232-891-000	GROMMET, AIR CLEANER	1	-	1	-	-	HA2, LKE, LX2, LXE4, LXE8, LXQ4, LXU, PA2, PAE2, PXD8, PXE8, PXU, QA2, QA26, QA4, QAA2, QAA6, QAE2, QAE4, QAE6, QAW, QE, QHB4, QK4, QKA4, QME0, QME2, QNB2, QNE2, QNE6, QNE8, QNR2, QNR6, QTT, QWA2, QXB7, QXB9, QXE4, QXE6, QXE7, QXE8, QXE9, QXER, QXH9, QXQ4, QXU, QXUZ, SCK4, SHQ2, SHQ4, SM32, SMC1, SMC2, SMD3, SME0, SME6, STC4, SWA2, SWA4, SXB7, SXB9, SXE4, SXE8, SXQ4, SXU, VA2, VAC2, VAG2, VCN2, VD2, VDE2, VK2, VKB2, VM2, VN27, VNG1, VSD7, VSD9, VWC9, VWT4, VX8, VXB7, VXB9, VXE2, VXE6, VXE7, VXE8, VXE9, VXQ4	
6	17235-Z5R-800 17235-ZH9-N01	NOSE, SILENCER	1	-	1	-	-	QNB2, QTT, QWA2, VAC2, VAG2, VCN2, VD2, VDE2, VK2, VKB2, VNG1, VWC9, VWT4 HA2, LKE, LX2, LXE4, LXE8, LXQ4, LXU, PA2, PAE2, PXD8, PXE8, PXU, QA2, QA26, QA4, QAA2, QAA6, QAE2, QAE4, QAE6, QAW, QE, QHB4, QK4, QKA4, QME0, QME2, QNE2, QNE6, QNE8, QNR2, QNR6, QXB7, QXB9, QXE4, QXE6, QXE7, QXE8, QXE9, QXER, QXH9, QXQ4, QXU, QXUZ, SCK4, SHQ2, SHQ4, SM32, SMC1, SMC2, SMD3, SME0, SME6, STC4, SWA2, SWA4, SXB7, SXB9, SXE4, SXE8, SXQ4, SXU, VA2, VAC2, VAG2, VCN2, VD2, VDE2, VK2, VKB2, VM2, VN27, VSD7, VSD9, VWC9, VWT4, VX8, VXB7, VXB9, VXE2, VXE6, VXE7, VXE8, VXE9, VXQ4	
7	17238-ZE2-310	COLLAR, AIR CLEANER	2	-	2	-	-	HA2, LKE, LX2, LXE4, LXE8, LXQ4, LXU, PA2, PAE2, PXD8, PXE8, PXU, QA2, QA26, QA4, QAA2, QAA6, QAE2, QAE4, QAE6, QAW, QE, QHB4, QK4, QKA4, QME0, QME2, QNB2, QNE2, QNE6, QNE8, QNR2, QNR6, QTT, QWA2, QXB7, QXB9, QXE4, QXE6, QXE7, QXE8, QXE9, QXER, QXH9, QXQ4, QXU, QXUZ, SCK4, SHQ2, SHQ4, SM32, SMC1, SMC2, SMD3, SME0, SME6, STC4, SWA2, SWA4, SXB7, SXB9, SXE4, SXE8, SXQ4, SXU, VA2, VAC2, VAG2, VCN2, VD2, VDE2, VK2, VKB2, VM2, VN27, VNG1, VSD7, VSD9, VWC9, VWT4, VX8, VXB7, VXB9, VXE2, VXE6, VXE7, VXE8, VXE9, VXQ4	
8	17239-ZE1-000	COLLAR B, AIR CLEANER	1	-	1	-	-	HA2, LKE, LX2, LXE4, LXE8, LXQ4, LXU, PA2, PAE2, PXD8, PXE8, PXU, QA2, QA26, QA4, QAA2, QAA6, QAE2, QAE4, QAE6, QAW, QE, QHB4, QK4, QKA4, QME0, QME2, QNB2, QNE2, QNE6, QNE8, QNR2, QNR6, QTT, QWA2, QXB7, QXB9, QXE4, QXE6, QXE7, QXE8, QXE9, QXER, QXH9, QXQ4, QXU, QXUZ, SCK4, SHQ2, SHQ4, SM32, SMC1, SMC2, SMD3, SME0, SME6, STC4, SWA2, SWA4, SXB7, SXB9, SXE4, SXE8, SXQ4, SXU, VA2, VAC2, VAG2, VCN2, VD2, VDE2, VK2, VKB2, VM2, VN27, VNG1, VSD7, VSD9, VWC9, VWT4, VX8, VXB7, VXB9, VXE2, VXE6, VXE7, VXE8, VXE9, VXQ4	
9	17410-ZH9-N00	ELBOW COMP., AIR CLEANER	1	-	1	-	-	HA2, LKE, LX2, LXE4, LXE8, LXQ4, LXU, PA2, PAE2, PXD8, PXE8, PXU, QA2, QA26, QA4, QAA2, QAA6, QAE2, QAE4, QAE6, QAW, QE, QHB4, QK4, QKA4, QME0, QME2, QNB2, QNE2, QNE6, QNE8, QNR2, QNR6, QTT, QWA2, QXB7, QXB9, QXE4, QXE6, QXE7, QXE8, QXE9, QXER, QXH9, QXQ4, QXU, QXUZ, SCK4, SHQ2, SHQ4, SM32, SMC1, SMC2, SMD3, SME0, SME6, STC4, SWA2, SWA4, SXB7, SXB9, SXE4, SXE8, SXQ4, SXU, VA2, VAC2, VAG2, VCN2, VD2, VDE2, VK2, VKB2, VM2, VN27, VNG1, VSD7, VSD9, VWC9, VWT4, VX8, VXB7, VXB9, VXE2, VXE6, VXE7, VXE8, VXE9, VXQ4	
10	90009-Z1C-000	BOLT-WASHER, 6X22	1	-	1	-	-	HA2, LKE, LX2, LXE4, LXE8, LXQ4, LXU, PA2, PAE2, PXD8, PXE8, PXU, QA2, QA26, QA4, QAA2, QAA6, QAE2, QAE4, QAE6, QAW, QE, QHB4, QK4, QKA4, QME0, QME2, QNB2, QNE2, QNE6, QNE8, QNR2, QNR6, QTT, QWA2, QXB7, QXB9, QXE4, QXE6, QXE7, QXE8, QXE9, QXER, QXH9, QXQ4, QXU, QXUZ, SCK4, SHQ2, SHQ4, SM32, SMC1, SMC2, SMD3, SME0, SME6, STC4, SWA2, SWA4, SXB7, SXB9, SXE4, SXE8, SXQ4, SXU, VA2, VAC2, VAG2, VCN2, VD2, VDE2, VK2, VKB2, VM2, VN27, VNG1, VSD7, VSD9, VWC9, VWT4, VX8, VXB7, VXB9, VXE2, VXE6, VXE7, VXE8, VXE9, VXQ4	



E-15

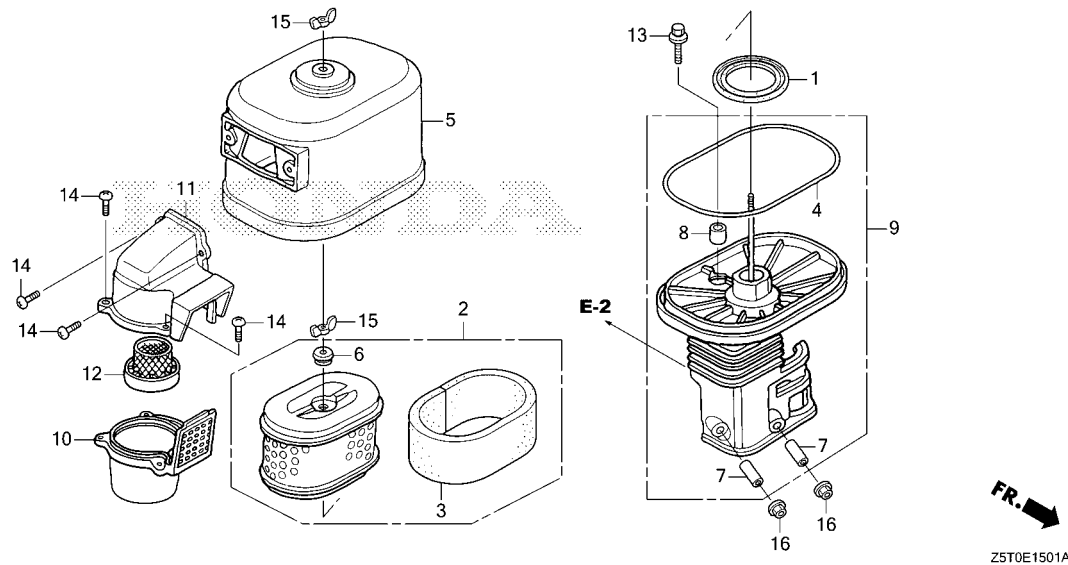
AIR CLEANER(1)



Ref. No.	Part No.	Description	Reqd. QTY					Serial No.	Parts catalogue code
			GX 390 UT1	GX 390 UT2	GX 390 RT1	GX 390 RT2	GX 390 UT2X		
11	90203-ZA0-800	NUT, WING, 6MM(BLACK)	1	-	-	-	-	HA2, PA2, PAE2, QA2, QA26, QA4, QAA2, QAA6, QAE2, QAE4, QAE6, QAW QNE2, QNE6, QNR6, QTT, QXE6, SM32, VA2, VM2, VXE2, VXE6	
12	90325-044-000	NUT, TOOL BOX SETTING	1	-	-	-	-	HA2, PA2, PAE2, QA2, QA26, QA4, QAA2, QAA6, QAE2, QAE4, QAE6, QAW QNE2, QNE6, QNR6, QTT, QXE6, SM32, VA2, VM2, VXE2, VXE6	
			2	-	-	-	-	LKE, LX2, LXE4, LXE8, LXQ4, LXU, PXD8, PXE8, PXU, QE, QHB4, QK4, QKA4 QME0, QME2, QNE8, QNR2, QXB7, QXB9, QXE4, QXE7, QXE8, QXE9, QXER QXH9, QXQ4, QXU, QXUZ, SCK4, SHQ2, SHQ4, SMC1, SMC2, SMD3, SME0 SME6, STC4, SWA2, SWA4, SXB7, SXB9, SXE4, SXE8, SXQ4, SXU, VN27 VNG1, VSD7, VSD9, VX8, VXB7, VXB9, VXE7, VXE8, VXE9, VXQ4	
			-	-	2	-	-	QNB2, QTT, QWA2, VAC2, VAG2, VCN2, VD2, VDE2, VK2, VKB2, VNG1, VVC9 VWT4	
13	94050-06000	NUT, FLANGE, 6MM	2	-	2	-	-	HA2, LKE, LX2, LXE4, LXE8, LXQ4, LXU, PA2, PAE2, PXD8, PXE8, PXU, QA2 QA26, QA4, QAA2, QAA6, QAE2, QAE4, QAE6, QAW, QE, QHB4, QK4, QKA4 QME0, QME2, QNB2, QNE2, QNE6, QNE8, QNR2, QNR6, QTT, QWA2, QXB7 QXB9, QXE4, QXE6, QXE7, QXE8, QXE9, QXER, QXH9, QXQ4, QXU, QXUZ SCK4, SHQ2, SHQ4, SM32, SMC1, SMC2, SMD3, SME0, SME6, STC4, SWA2 SWA4, SXB7, SXB9, SXE4, SXE8, SXQ4, SXU, VA2, VAC2, VAG2, VCN2, VD2 VDE2, VK2, VKB2, VM2, VN27, VNG1, VSD7, VSD9, VVC9, VWT4, VX8, VXB7 VXB9, VXE2, VXE6, VXE7, VXE8, VXE9, VXQ4	
14	90634-ZL8-H00	CAP, SEALING	1	-	1	-	-	QNB2, QTT, QWA2, VAC2, VAG2, VCN2, VD2, VDE2, VK2, VKB2, VNG1, VVC9 VWT4	

E-15-1

AIR CLEANER(2)



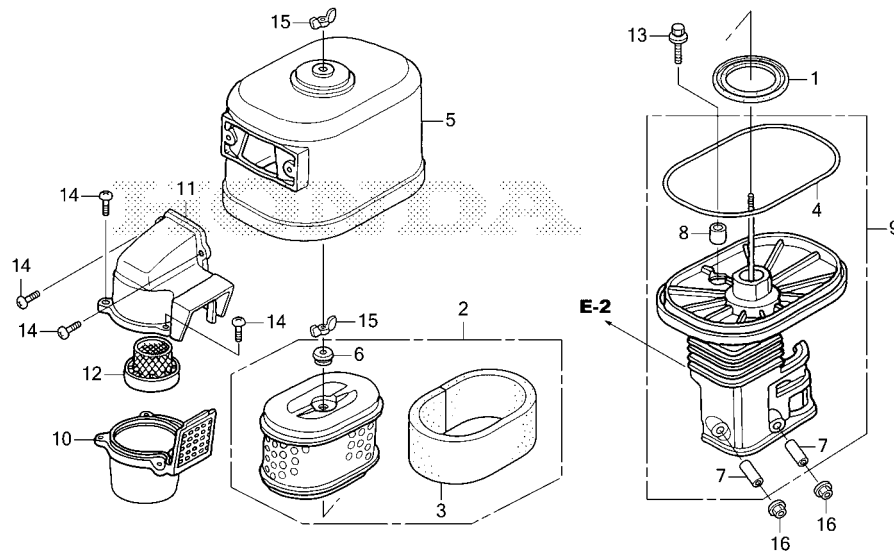
Ref. No. L.O.N. (Relative ref. Number) Description F.R.T.

Ref. No.	Part No.	Description	Reqd. QTY					Serial No.	Parts catalogue code
			GX 390 UT1	GX 390 UT2	GX 390 RT1	GX 390 RT2	GX 390 UT2X		
1	16271-ZE2-010	PACKING, ELBOW.....	1	1	-	-	-	QC2, QDW9, QWA4, QWC4, QWT2, QXC4, QXC6, QXC9, QXCU, QXS2, QXS4 SMSC, SMXC, SNC	
2	17210-ZE3-010	ELEMENT, AIR CLEANER.....	1	1	-	-	-	QC2, QDW9, QWA4, QWC4, QWT2, QXC4, QXC6, QXC9, QXCU, QXS2, QXS4 SMSC, SMXC, SNC	
3	17218-ZE3-000	FILTER, OUTER.....	1	1	-	-	-	QC2, QDW9, QWA4, QWC4, QWT2, QXC4, QXC6, QXC9, QXCU, QXS2, QXS4 SMSC, SMXC, SNC	
4	17219-ZE3-840	PACKING, AIR CLEANER COVER...	1	1	-	-	-	QC2, QDW9, QWA4, QWC4, QWT2, QXC4, QXC6, QXC9, QXCU, QXS2, QXS4 SMSC, SMXC, SNC	
5	17230-ZE3-841	COVER COMP., AIR CLEANER (CYCLONE)	1	1	-	-	-	QC2, QDW9, QWA4, QWC4, QWT2, QXC4, QXC6, QXC9, QXCU, QXS2, QXS4 SMSC, SMXC, SNC	
6	17232-891-000	GROMMET, AIR CLEANER.....	1	1	-	-	-	QC2, QDW9, QWA4, QWC4, QWT2, QXC4, QXC6, QXC9, QXCU, QXS2, QXS4 SMSC, SMXC, SNC	
7	17238-ZE2-310	COLLAR, AIR CLEANER.....	2	2	-	-	-	QC2, QDW9, QWA4, QWC4, QWT2, QXC4, QXC6, QXC9, QXCU, QXS2, QXS4 SMSC, SMXC, SNC	
8	17239-ZE3-840	COLLAR B, AIR CLEANER.....	1	1	-	-	-	QC2, QDW9, QWA4, QWC4, QWT2, QXC4, QXC6, QXC9, QXCU, QXS2, QXS4 SMSC, SMXC, SNC	
9	17410-ZE3-840 17410-ZE3-841	ELBOW COMP., AIR CLEANER.....	1	-	-	-	-	QC2, QDW9, QWA4, QWC4, QWT2, QXC4, QXC6, QXC9, QXCU, QXS2, QXS4, SNC	
		-	1	-	-	-	QC2, QDW9, QWA4, QWC4, QWT2, QXC4, QXC6, QXC9, QXCU, QXS4, SMSC SMXC, SNC	
10	17470-ZE3-842	CASE COMP., PRE AIR CLEANER..	1	1	-	-	-	QC2, QDW9, QWA4, QWC4, QWT2, QXC4, QXC6, QXC9, QXCU, QXS2, QXS4 SMSC, SMXC, SNC	
11	17475-ZE3-841	CAP, PRE AIR CLEANER.....	1	1	-	-	-	QC2, QDW9, QWA4, QWC4, QWT2, QXC4, QXC6, QXC9, QXCU, QXS2, QXS4 SMSC, SMXC, SNC	
12	17476-ZE3-841	GUIDE, PRE AIR CLEANER.....	1	1	-	-	-	QC2, QDW9, QWA4, QWC4, QWT2, QXC4, QXC6, QXC9, QXCU, QXS2, QXS4 SMSC, SMXC, SNC	



E-15-1

AIR CLEANER(2)

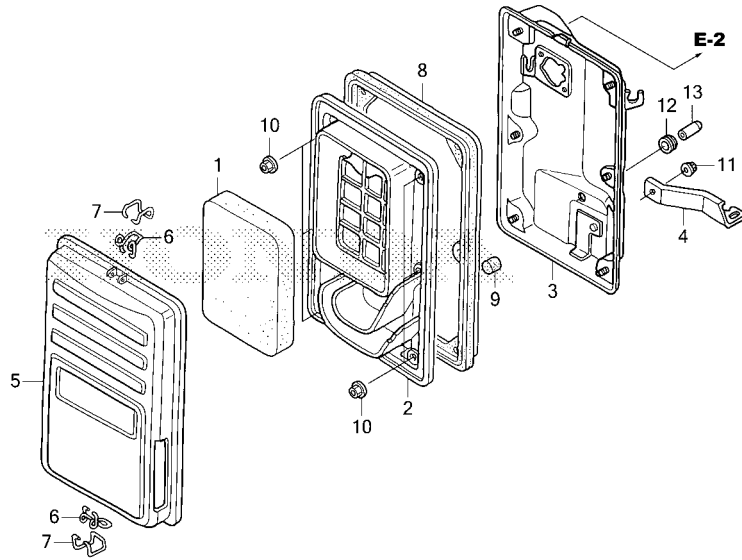


Z5T0E1501A

Ref. No.	Part No.	Description	Reqd. QTY					Serial No.	Parts catalogue code
			GX 390 UT1	GX 390 UT2	GX 390 RT1	GX 390 RT2	GX 390 UT2X		
13	90009-Z1C-000	BOLT-WASHER, 6X22	1	1	-	-	-	QC2, QDW9, QWA4, QWC4, QWT2, QXC4, QXC6, QXC9, QXCU, QXS2, QXS4 SMSC, SMXC, SNC	
14	90142-MB0-000	SCREW, PAN, 5X16.5	5	5	-	-	-	QC2, QDW9, QWA4, QWC4, QWT2, QXC4, QXC6, QXC9, QXCU, QXS2, QXS4 SMSC, SMXC, SNC	
15	90325-044-000	NUT, TOOL BOX SETTING	2	2	-	-	-	QC2, QDW9, QWA4, QWC4, QWT2, QXC4, QXC6, QXC9, QXCU, QXS2, QXS4 SMSC, SMXC, SNC	
16	94050-06000	NUT, FLANGE, 6MM	2	2	-	-	-	QC2, QDW9, QWA4, QWC4, QWT2, QXC4, QXC6, QXC9, QXCU, QXS2, QXS4 SMSC, SMXC, SNC	

E-15-2

AIR CLEANER(3)



Z5T0E1502B

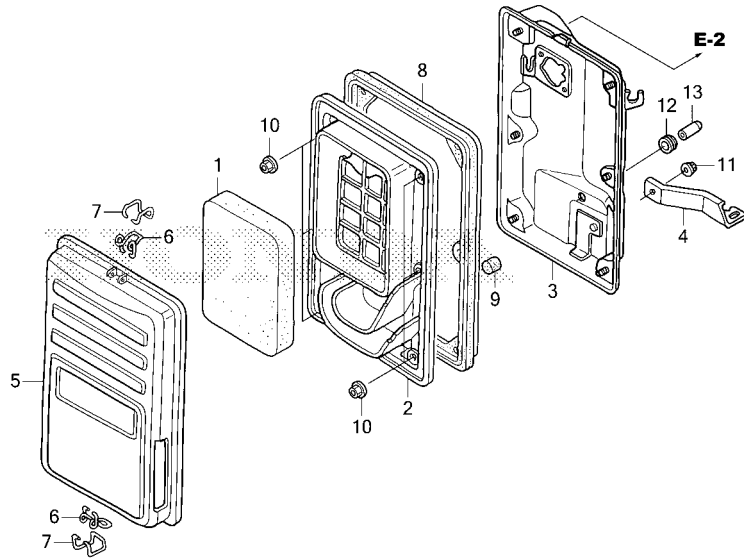
Ref. L.O.N. (Relative ref. Number) F.R.T.
No. Description

Ref. No.	Part No.	Description	Reqd. QTY					Serial No.	Parts catalogue code
			GX 390 UT1	GX 390 UT2	GX 390 RT1	GX 390 RT2	GX 390 UT2X		
1	17211-899-000	ELEMENT, AIR CLEANER.....	1	-	1	-	-	VAA1, VAA8, VC2, VC2N, VEP9, VKE4, VKX4, VPE5, VPE9, VPX2, VPX4, VPX9, VS49, VSD4, VTH4, VWC, VWE, VXG	
2	17212-Z5R-000	SEPARATOR, AIR CLEANER.....	1	-	-	-	-	VC2N, VPX2	
	17212-ZB4-003	1	-	-	-	-	VKX4, VPX4, VPX9, VXG	
	17212-Z5R-000	-	-	1	-	-	VAA1, VAA8, VC2, VEP9, VKE4, VKX4, VPE5, VPE9, VPX4, VPX9, VS49, VSD4, VTH4, VWC, VWE, VXG	
3	17220-Z5R-000	CASE COMP., AIR CLEANER.....	1	-	-	-	-	VC2N, VPX2	
	17220-ZB4-003	1	-	-	-	-	VKX4, VPX4, VPX9, VXG	
	17220-Z5R-000	-	-	1	-	-	VAA1, VAA8, VC2, VEP9, VKE4, VKX4, VPE5, VPE9, VPX4, VPX9, VS49, VSD4, VTH4, VWC, VWE, VXG	
4	17222-ZC2-000	STAY, AIR CLEANER.....	1	-	1	-	-	VAA1, VAA8, VC2, VC2N, VEP9, VKE4, VKX4, VPE5, VPE9, VPX2, VPX4, VPX9, VS49, VSD4, VTH4, VWC, VWE, VXG	
5	17231-899-000	COVER COMP., AIR CLEANER.....	1	-	1	-	-	VAA1, VAA8, VC2, VC2N, VEP9, VKE4, VKX4, VPE5, VPE9, VPX2, VPX4, VPX9, VS49, VSD4, VTH4, VWC, VWE, VXG	
6	17235-899-000	CLIP A, AIR CLEANER WIRE.....	2	-	2	-	-	VAA1, VAA8, VC2, VC2N, VEP9, VKE4, VKX4, VPE5, VPE9, VPX2, VPX4, VPX9, VS49, VSD4, VTH4, VWC, VWE, VXG	
7	17236-899-000	CLIP B, AIR CLEANER WIRE.....	2	-	2	-	-	VAA1, VAA8, VC2, VC2N, VEP9, VKE4, VKX4, VPE5, VPE9, VPX2, VPX4, VPX9, VS49, VSD4, VTH4, VWC, VWE, VXG	
8	17252-899-000	SEAL, AIR CLEANER.....	1	-	1	-	-	VAA1, VAA8, VC2, VC2N, VEP9, VKE4, VKX4, VPE5, VPE9, VPX2, VPX4, VPX9, VS49, VSD4, VTH4, VWC, VWE, VXG	
9	17367-413-690	FILTER, DRAIN TUBE.....	1	-	1	-	-	VAA1, VAA8, VC2, VC2N, VEP9, VKE4, VKX4, VPE5, VPE9, VPX2, VPX4, VPX9, VS49, VSD4, VTH4, VWC, VWE, VXG	
10	94050-05000	NUT, FLANGE, 5MM.....	6	-	6	-	-	VAA1, VAA8, VC2, VC2N, VEP9, VKE4, VKX4, VPE5, VPE9, VPX2, VPX4, VPX9, VS49, VSD4, VTH4, VWC, VWE, VXG	
11	94050-06000	NUT, FLANGE, 6MM.....	1	-	1	-	-	VAA1, VAA8, VC2, VC2N, VEP9, VKE4, VKX4, VPE5, VPE9, VPX2, VPX4, VPX9, VS49, VSD4, VTH4, VWC, VWE, VXG	



E-15-2

AIR CLEANER(3)



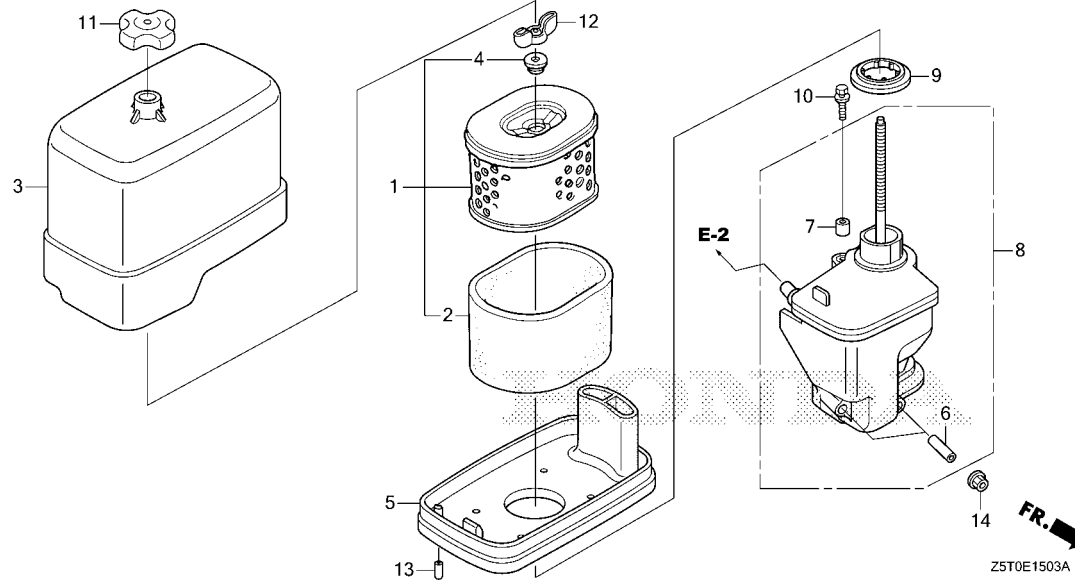
Z5T0E1502B

Ref. No.	Part No.	Description	Reqd. QTY					Serial No.	Parts catalogue code
			GX 390 UT1	GX 390 UT2	GX 390 RT1	GX 390 RT2	GX 390 UT2X		
12	17232-898-000	GROMMET, AIR CLEANER.....	1	-	1	-	-	-----	VAA1, VAA8, VC2, VC2N, VEP9, VKE4, VKX4, VPE5, VPE9, VPX2, VPX4, VPX9, VS49, VSD4, VTH4, VWC, VWE, VXG
13	90634-ZL8-H00	CAP, SEALING.....	1	-	1	-	-	-----	VAA1, VAA8, VC2, VC2N, VEP9, VKE4, VKX4, VPE5, VPE9, VPX2, VPX4, VPX9, VS49, VSD4, VTH4, VWC, VWE, VXG

2

E-15-3

AIR CLEANER(4)



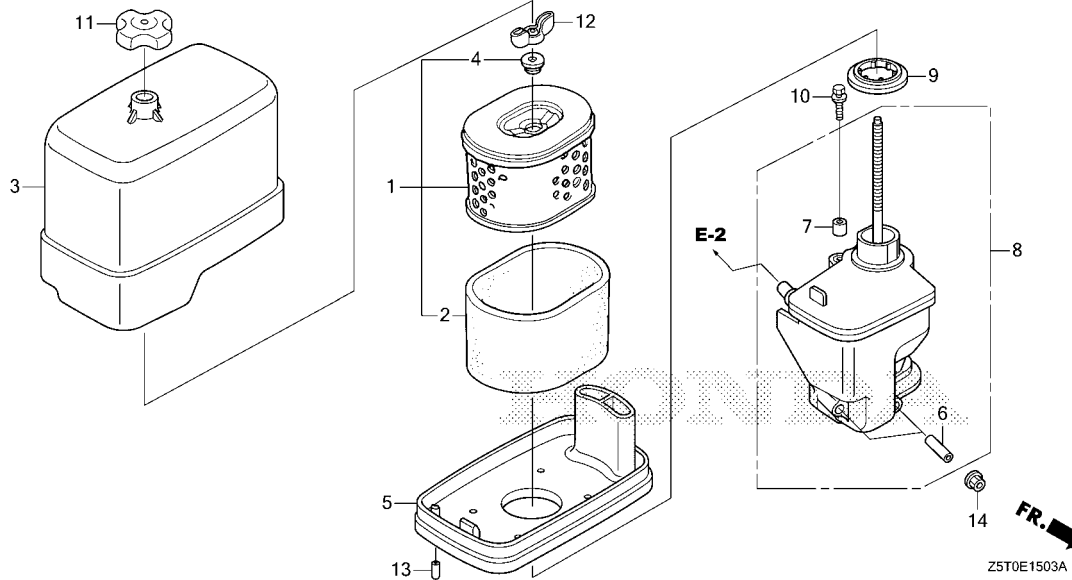
Ref. L.O.N. (Relative ref. Number) F.R.T.
 No. Description

Ref. No.	Part No.	Description	Reqd. QTY					Serial No.	Parts catalogue code
			GX 390 UT1	GX 390 UT2	GX 390 RT1	GX 390 RT2	GX 390 UT2X		
1	17210-ZE3-010	ELEMENT, AIR CLEANER.....	-	1	-	1	1	HA2, LKE, LX2, LXE4, LXE5, LXE8, LXQ4, LXU, PA2, PAE2, PKT, PXD8 PXE8, PXM8, PXU, QA2, QA26, QA4, QAA2, QAA6, QAE2, QAE4, QAE6, QAGN QE, QHB4, QK4, QKA4, QMAH, QME0, QNB2, QNE2, QNE8, QNGN, QNR2, QNR6 QNRV, QTT, QWA2, QWC, QXAC, QXB7, QXB9, QXE4, QXE6, QXE7, QXE8, QXE9 QXEM, QXER, QXQ4, QXU, QXUM, QXUZ, SCK4, SDQ5, SHQ4, SHQ5, SHQ6 SM32, SMC1, SMD3, SME0, SME6, SMES, SMX2, STC4, SWA4, SXB7, SXBG SXE4, SXE8, SXEM, SXQ4, SXU, VA2, VAG2, VDE2, VK2, VKB2, VM2, VN27 VSB9, VSD7, VSD9, VWC9, VWT4, VX8, VXB7, VXB9, VXE2, VXE7, VXE8 VXE9, VXQ4	
	17210-Z5T-W00	ELEMENT COMP., AIR CLEANER...	-	1	-	-	1	QZA2, QZAV, QZC, QZD, QZDS, QZHW, QZME, QZN2, QZND, QZNH, QZNR, QZRL QZRV, QZX9, QZXR, SZEC, VZS9, VZX7, VZX8	
2	17218-ZE3-000	FILTER, OUTER.....	-	1	-	1	1	HA2, LKE, LX2, LXE4, LXE5, LXE8, LXQ4, LXU, PA2, PAE2, PKT, PXD8 PXE8, PXM8, PXU, QA2, QA26, QA4, QAA2, QAA6, QAE2, QAE4, QAE6, QAGN QE, QHB4, QK4, QKA4, QMAH, QME0, QNB2, QNE2, QNE8, QNGN, QNR2, QNR6 QNRV, QTT, QWA2, QWC, QXAC, QXB7, QXB9, QXE4, QXE6, QXE7, QXE8, QXE9 QXEM, QXER, QXQ4, QXU, QXUM, QXUZ, QZA2, QZAV, QZC, QZD, QZDS, QZHW QZME, QZN2, QZND, QZNH, QZNR, QZRL, QZRV, QZX9, QZXR, SCK4, SDQ5 SHQ4, SHQ5, SHQ6, SM32, SMC1, SMD3, SME0, SME6, SMES, SMX2, STC4 SWA4, SXB7, SXBG, SXE4, SXE8, SXEM, SXQ4, SXU, SZEC, VA2, VAG2, VDE2 VK2, VKB2, VM2, VN27, VSB9, VSD7, VSD9, VWC9, VWT4, VX8, VXB7, VXB9 VXE2, VXE7, VXE8, VXE9, VXQ4, VZS9, VZX7, VZX8	



E-15-3

AIR CLEANER(4)



Ref. No.	Part No.	Description	Reqd. QTY					Serial No.	Parts catalogue code
			GX 390 UT1	GX 390 UT2	GX 390 RT1	GX 390 RT2	GX 390 UT2X		
3	17231-Z5T-000	COVER, AIR CLEANER CASE.....	-	1	-	1	1	-----	HA2, LKE, LX2, LXE4, LXE5, LXE8, LXQ4, LXU, PA2, PAE2, PKT, PXD8, PXE8, PXM8, PXU, QA2, QA26, QA4, QAA2, QAA6, QAE2, QAE4, QAE6, QAGN, QE, QHB4, QK4, QKA4, QMAH, QME0, QNB2, QNE2, QNE8, QNGN, QNR2, QNR6, QNRV, QTT, QWA2, QWC, QXAC, QXB7, QXB9, QXE4, QXE6, QXE7, QXE8, QXE9, QXEM, QXER, QXQ4, QXU, QXUM, QXUZ, QZA2, QZAV, QZC, QZD, QZDS, QZHW, QZME, QZN2, QZND, QZNH, QZNR, QZRL, QZRV, QZX9, QZXR, SCK4, SDQ5, SHQ4, SHQ5, SHQ6, SM32, SMC1, SMD3, SME0, SME6, SMES, SMX2, STC4, SWA4, SXB7, SXBG, SXE4, SXE8, SXEM, SXQ4, SXU, SZEC, VA2, VAG2, VDE2, VK2, VKB2, VM2, VN27, VSB9, VSD7, VSD9, VVC9, VWT4, VX8, VXB7, VXB9, VXE2, VXE7, VXE8, VXE9, VXQ4, VZS9, VZX7, VZX8
4	17232-891-000	GROMMET, AIR CLEANER.....	-	1	-	1	1	-----	HA2, LKE, LX2, LXE4, LXE5, LXE8, LXQ4, LXU, PA2, PAE2, PKT, PXD8, PXE8, PXM8, PXU, QA2, QA26, QA4, QAA2, QAA6, QAE2, QAE4, QAE6, QAGN, QE, QHB4, QK4, QKA4, QMAH, QME0, QNB2, QNE2, QNE8, QNGN, QNR2, QNR6, QNRV, QTT, QWA2, QWC, QXAC, QXB7, QXB9, QXE4, QXE6, QXE7, QXE8, QXE9, QXEM, QXER, QXQ4, QXU, QXUM, QXUZ, QZA2, QZAV, QZC, QZD, QZDS, QZHW, QZME, QZN2, QZND, QZNH, QZNR, QZRL, QZRV, QZX9, QZXR, SCK4, SDQ5, SHQ4, SHQ5, SHQ6, SM32, SMC1, SMD3, SME0, SME6, SMES, SMX2, STC4, SWA4, SXB7, SXBG, SXE4, SXE8, SXEM, SXQ4, SXU, SZEC, VA2, VAG2, VDE2, VK2, VKB2, VM2, VN27, VSB9, VSD7, VSD9, VVC9, VWT4, VX8, VXB7, VXB9, VXE2, VXE7, VXE8, VXE9, VXQ4, VZS9, VZX7, VZX8
5	17235-Z5T-000	NOSE, SILENCER.....	-	1	-	1	1	-----	HA2, LKE, LX2, LXE4, LXE5, LXE8, LXQ4, LXU, PA2, PAE2, PKT, PXD8, PXE8, PXM8, PXU, QA2, QA26, QA4, QAA2, QAA6, QAE2, QAE4, QAE6, QAGN, QE, QHB4, QK4, QKA4, QMAH, QME0, QNE2, QNE8, QNR2, QNR6, QNRV, QWC, QXAC, QXB7, QXB9, QXE4, QXE6, QXE7, QXE8, QXE9, QXEM, QXER, QXQ4, QXU, QXUM, QXUZ, QZA2, QZAV, QZC, QZD, QZDS, QZHW, QZME, QZN2, QZND, QZNH, QZNR, QZRL, QZRV, QZX9, QZXR, SCK4, SDQ5, SHQ4, SHQ5, SHQ6, SM32, SMC1, SMD3, SME0, SME6, SMES, SMX2, STC4, SWA4, SXB7, SXBG, SXE4, SXE8, SXEM, SXQ4, SXU, SZEC, VA2, VM2, VN27, VSB9, VSD7, VSD9, VX8, VXB7, VXB9, VXE2, VXE7, VXE8, VXE9, VXQ4, VZS9, VZX7, VZX8

E-15-3

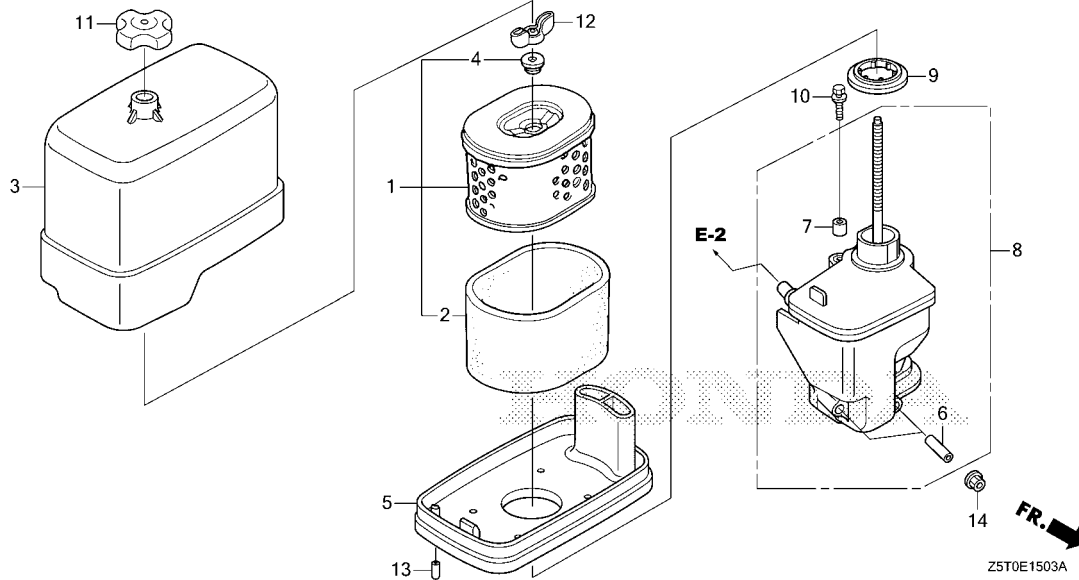
AIR CLEANER(4)

Ref. No.	Part No.	Description	Reqd. QTY					Serial No.	Parts catalogue code
			GX 390 UT1	GX 390 UT2	GX 390 RT1	GX 390 RT2	GX 390 UT2X		
(5)	17235-Z5T-800	NOSE, SILENCER	-	-	-	1	-	-----	QAGN, QNB2, QNGN, QTT, QWA2, VAG2, VDE2, VK2, VKB2, VWC9, VWT4
6	17238-ZE2-310	COLLAR, AIR CLEANER	-	2	-	2	2	-----	HA2, LKE, LX2, LXE4, LXE5, LXE8, LXQ4, LXU, PA2, PAE2, PKT, PXD8 PXE8, PXM8, PXU, QA2, QA26, QA4, QAA2, QAA6, QAE2, QAE4, QAE6, QAGN QE, QHB4, QK4, QKA4, QMAH, QME0, QNB2, QNE2, QNE8, QNGN, QNR2, QNR6 QNRV, QTT, QWA2, QWC, QXAC, QXB7, QXB9, QXE4, QXE6, QXE7, QXE8, QXE9 QXEM, QXER, QXQ4, QXU, QXUM, QXUZ, QZA2, QZAV, QZC, QZD, QZDS, QZHW QZME, QZN2, QZND, QZNH, QZNR, QZRL, QZRV, QZX9, QZXR, SCK4, SDQ5 SHQ4, SHQ5, SHQ6, SM32, SMC1, SMD3, SME0, SME6, SMES, SMX2, STC4 SWA4, SXB7, SXBG, SXE4, SXE8, SXEM, SXQ4, SXU, SZEC, VA2, VAG2, VDE2 VK2, VKB2, VM2, VN27, VSB9, VSD7, VSD9, VWC9, VWT4, VX8, VXB7, VXB9 VXE2, VXE7, VXE8, VXE9, VXQ4, VZS9, VZX7, VZX8
7	17239-ZE1-000	COLLAR B, AIR CLEANER	-	1	-	1	1	-----	HA2, LKE, LX2, LXE4, LXE5, LXE8, LXQ4, LXU, PA2, PAE2, PKT, PXD8 PXE8, PXM8, PXU, QA2, QA26, QA4, QAA2, QAA6, QAE2, QAE4, QAE6, QAGN QE, QHB4, QK4, QKA4, QMAH, QME0, QNB2, QNE2, QNE8, QNGN, QNR2, QNR6 QNRV, QTT, QWA2, QWC, QXAC, QXB7, QXB9, QXE4, QXE6, QXE7, QXE8, QXE9 QXEM, QXER, QXQ4, QXU, QXUM, QXUZ, QZA2, QZAV, QZC, QZD, QZDS, QZHW QZME, QZN2, QZND, QZNH, QZNR, QZRL, QZRV, QZX9, QZXR, SCK4, SDQ5 SHQ4, SHQ5, SHQ6, SM32, SMC1, SMD3, SME0, SME6, SMES, SMX2, STC4 SWA4, SXB7, SXBG, SXE4, SXE8, SXEM, SXQ4, SXU, SZEC, VA2, VAG2, VDE2 VK2, VKB2, VM2, VN27, VSB9, VSD7, VSD9, VWC9, VWT4, VX8, VXB7, VXB9 VXE2, VXE7, VXE8, VXE9, VXQ4, VZS9, VZX7, VZX8
8	17410-Z5T-020	ELBOW COMP., AIR CLEANER	-	1	-	1	1	-----	HA2, LKE, LX2, LXE4, LXE5, LXE8, LXQ4, LXU, PA2, PAE2, PKT, PXD8 PXE8, PXM8, PXU, QA2, QA26, QA4, QAA2, QAA6, QAE2, QAE4, QAE6, QAGN QE, QHB4, QK4, QKA4, QMAH, QME0, QNB2, QNE2, QNE8, QNGN, QNR2, QNR6 QNRV, QTT, QWA2, QWC, QXAC, QXB7, QXB9, QXE4, QXE6, QXE7, QXE8, QXE9 QXEM, QXER, QXQ4, QXU, QXUM, QXUZ, SCK4, SDQ5, SHQ4, SHQ5, SHQ6 SM32, SMC1, SMD3, SME0, SME6, SMES, SMX2, STC4, SWA4, SXB7, SXBG SXE4, SXE8, SXEM, SXQ4, SXU, VA2, VAG2, VDE2, VK2, VKB2, VM2, VN27 VSB9, VSD7, VSD9, VWC9, VWT4, VX8, VXB7, VXB9, VXE2, VXE7, VXE8 VXE9, VXQ4
	17410-Z5T-W00	-	1	-	-	1	-----	QZA2, QZAV, QZC, QZD, QZDS, QZHW, QZME, QZN2, QZND, QZNH, QZNR, QZRL QZRV, QZX9, QZXR, SZEC, VZS9, VZX7, VZX8
9	17417-Z5T-000	PACKING, AIR CLEANER CASE	-	1	-	1	1	-----	HA2, LKE, LX2, LXE4, LXE5, LXE8, LXQ4, LXU, PA2, PAE2, PKT, PXD8 PXE8, PXM8, PXU, QA2, QA26, QA4, QAA2, QAA6, QAE2, QAE4, QAE6, QAGN QE, QHB4, QK4, QKA4, QMAH, QME0, QNB2, QNE2, QNE8, QNGN, QNR2, QNR6 QNRV, QTT, QWA2, QWC, QXAC, QXB7, QXB9, QXE4, QXE6, QXE7, QXE8, QXE9 QXEM, QXER, QXQ4, QXU, QXUM, QXUZ, QZA2, QZAV, QZC, QZD, QZDS, QZHW QZME, QZN2, QZND, QZNH, QZNR, QZRL, QZRV, QZX9, QZXR, SCK4, SDQ5 SHQ4, SHQ5, SHQ6, SM32, SMC1, SMD3, SME0, SME6, SMES, SMX2, STC4 SWA4, SXB7, SXBG, SXE4, SXE8, SXEM, SXQ4, SXU, SZEC, VA2, VAG2, VDE2 VK2, VKB2, VM2, VN27, VSB9, VSD7, VSD9, VWC9, VWT4, VX8, VXB7, VXB9 VXE2, VXE7, VXE8, VXE9, VXQ4, VZS9, VZX7, VZX8
10	90009-Z1C-000	BOLT-WASHER, 6X22	-	1	-	1	1	-----	HA2, LKE, LX2, LXE4, LXE5, LXE8, LXQ4, LXU, PA2, PAE2, PKT, PXD8 PXE8, PXM8, PXU, QA2, QA26, QA4, QAA2, QAA6, QAE2, QAE4, QAE6, QAGN QE, QHB4, QK4, QKA4, QMAH, QME0, QNB2, QNE2, QNE8, QNGN, QNR2, QNR6 QNRV, QTT, QWA2, QWC, QXAC, QXB7, QXB9, QXE4, QXE6, QXE7, QXE8, QXE9 QXEM, QXER, QXQ4, QXU, QXUM, QXUZ, SCK4, SDQ5, SHQ4, SHQ5, SHQ6 SM32, SMC1, SMD3, SME0, SME6, SMES, SMX2, STC4, SWA4, SXB7, SXBG SXE4, SXE8, SXEM, SXQ4, SXU, VA2, VAG2, VDE2, VK2, VKB2, VM2, VN27 VSB9, VSD7, VSD9, VWC9, VWT4, VX8, VXB7, VXB9, VXE2, VXE7, VXE8 VXE9, VXQ4
	90009-Z5T-W00	BOLT-WASHER, 6X18	-	1	-	-	1	-----	QZA2, QZAV, QZC, QZD, QZDS, QZHW, QZME, QZN2, QZND, QZNH, QZNR, QZRL QZRV, QZX9, QZXR, SZEC, VZS9, VZX7, VZX8



E-15-3

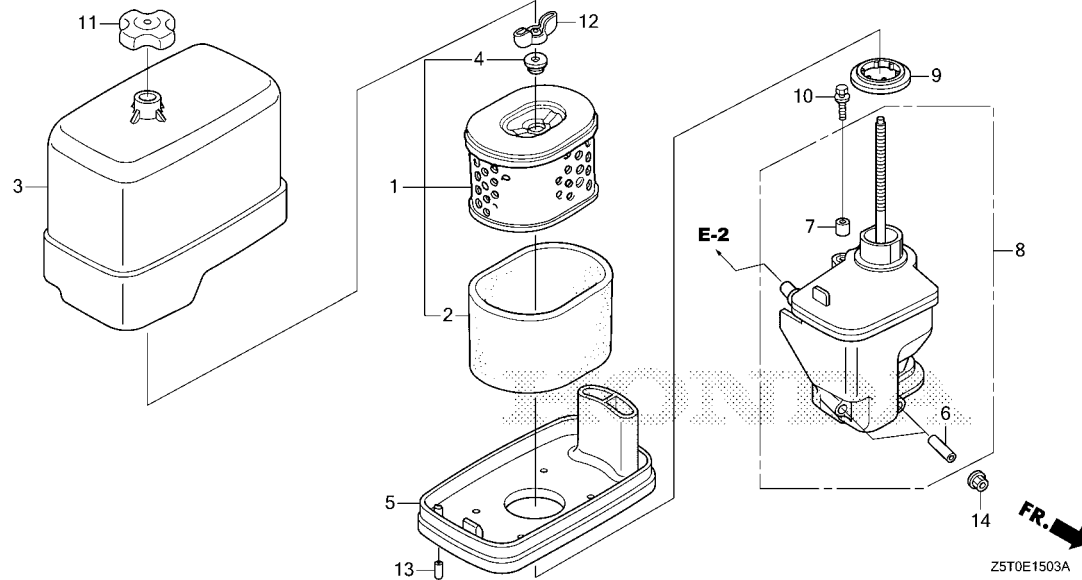
AIR CLEANER(4)



Ref. No.	Part No.	Description	Reqd. QTY					Serial No.	Parts catalogue code
			GX 390	GX 390	GX 390	GX 390	GX 390		
11	90202-Z2E-000	NUT, AIR CLEANER COVER.....	UT1	UT2	RT1	RT2	UT2X		HA2, LKE, LX2, LXE4, LXE5, LXE8, LXQ4, LXU, PA2, PAE2, PKT, PXD8, PXE8, PXM8, PXU, QA2, QA26, QA4, QAA2, QAA6, QAE2, QAE4, QAE6, QAGN, QE, QHB4, QK4, QKA4, QMAH, QME0, QNB2, QNE2, QNE8, QNGN, QNR2, QNR6, QNRV, QTT, QWA2, QWC, QXAC, QXB7, QXB9, QXE4, QXE6, QXE7, QXE8, QXE9, QXEM, QXER, QXQ4, QXU, QXUM, QXUZ, QZA2, QZAV, QZC, QZD, QZDS, QZHW, QZME, QZN2, QZND, QZNH, QZNR, QZRL, QZRV, QZX9, QZXR, SCK4, SDQ5, SHQ4, SHQ5, SHQ6, SM32, SMC1, SMD3, SME0, SME6, SMES, SMX2, STC4, SWA4, SXB7, SXBG, SXE4, SXE8, SXEM, SXQ4, SXU, SZEC, VA2, VAG2, VDE2, VK2, VKB2, VM2, VN27, VSB9, VSD7, VSD9, VWC9, VWT4, VX8, VXB7, VXB9, VXE2, VXE7, VXE8, VXE9, VXQ4, VZS9, VZX7, VZX8
12	90325-044-000	NUT, TOOL BOX SETTING.....							HA2, LKE, LX2, LXE4, LXE5, LXE8, LXQ4, LXU, PA2, PAE2, PKT, PXD8, PXE8, PXM8, PXU, QA2, QA26, QA4, QAA2, QAA6, QAE2, QAE4, QAE6, QAGN, QE, QHB4, QK4, QKA4, QMAH, QME0, QNB2, QNE2, QNE8, QNGN, QNR2, QNR6, QNRV, QTT, QWA2, QWC, QXAC, QXB7, QXB9, QXE4, QXE6, QXE7, QXE8, QXE9, QXEM, QXER, QXQ4, QXU, QXUM, QXUZ, QZA2, QZAV, QZC, QZD, QZDS, QZHW, QZME, QZN2, QZND, QZNH, QZNR, QZRL, QZRV, QZX9, QZXR, SCK4, SDQ5, SHQ4, SHQ5, SHQ6, SM32, SMC1, SMD3, SME0, SME6, SMES, SMX2, STC4, SWA4, SXB7, SXBG, SXE4, SXE8, SXEM, SXQ4, SXU, SZEC, VA2, VAG2, VDE2, VK2, VKB2, VM2, VN27, VSB9, VSD7, VSD9, VWC9, VWT4, VX8, VXB7, VXB9, VXE2, VXE7, VXE8, VXE9, VXQ4, VZS9, VZX7, VZX8
13	90634-ZL8-H00	CAP, SEALING.....							QAGN, QNB2, QNGN, QTT, QWA2, VAG2, VDE2, VK2, VKB2, VWC9, VWT4

E-15-3

AIR CLEANER(4)

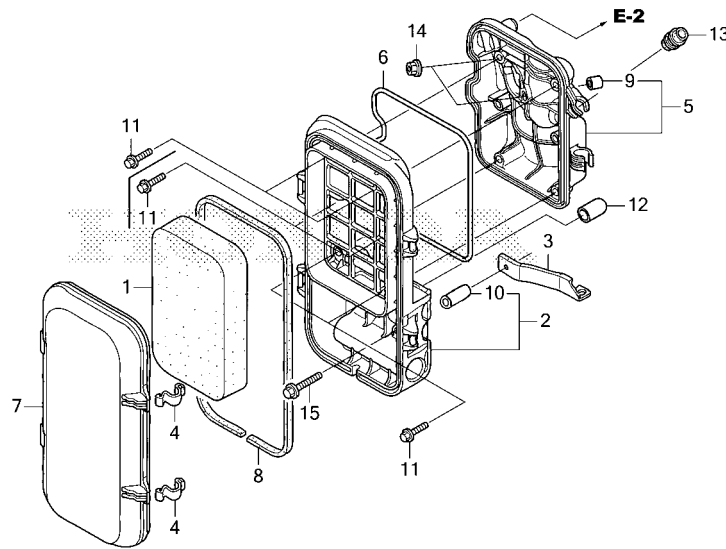


Ref. No.	Part No.	Description	Reqd. QTY					Serial No.	Parts catalogue code
			GX 390 UT1	GX 390 UT2	GX 390 RT1	GX 390 RT2	GX 390 UT2X		
14	94050-06000	NUT, FLANGE, 6MM.....	-	2	-	2	2	-----	HA2, LKE, LX2, LXE4, LXE5, LXE8, LXQ4, LXU, PA2, PAE2, PKT, PXD8 PXE8, PXM8, PXU, QA2, QA26, QA4, QAA2, QAA6, QAE2, QAE4, QAE6, QAGN QE, QHB4, QK4, QKA4, QMAH, QME0, QNB2, QNE2, QNE8, QNGN, QNR2, QNR6 QNRV, QTT, QWA2, QWC, QXAC, QXB7, QXB9, QXE4, QXE6, QXE7, QXE8, QXE9 QXEM, QXER, QXQ4, QXU, QXUM, QXUZ, QZA2, QZAV, QZC, QZD, QZDS, QZHW QZME, QZN2, QZND, QZNH, QZNR, QZRL, QZRV, QZX9, QZXR, SCK4, SDQ5 SHQ4, SHQ5, SHQ6, SM32, SMC1, SMD3, SME0, SME6, SMES, SMX2, STC4 SWA4, SXB7, SXBG, SXE4, SXE8, SXEM, SXQ4, SXU, SZEC, VA2, VAG2, VDE2 VK2, VKB2, VM2, VN27, VSB9, VSD7, VSD9, VWC9, VWT4, VX8, VXB7, VXB9 VXE2, VXE7, VXE8, VXE9, VXQ4, VZS9, VZX7, VZX8



E-15-4

AIR CLEANER(5)



Z5T0E1504B

Ref. L.O.N. (Relative ref. Number) F.R.T.
 No. Description

Ref. No.	Part No.	Description	Reqd. QTY					Serial No.	Parts catalogue code	
			GX 390 UT1	GX 390 UT2	GX 390 RT1	GX 390 RT2	GX 390 UT2X			
1	17211-899-000	ELEMENT, AIR CLEANER.....	-	1	-	1	1	-----	ED6, EDD2, EDS6, EDT6, LFU, SXS6, VAA1, VC2, VCF, VCT, VCT2, VEP9, VKE4, VKER, VKX4, VKXR, VPE5, VPE9, VPP9, VPX4, VPX9, VSD4, VWC, VWE, VWS, VWS1, VXF, VXG, VXT	
	17211-ZBH-W00	-	-	-	1	-	-----	EZD2, EZDM, EZDS, EZDV, VZC2, VZP9, VZWE, VZXZ	
2	17220-Z23-S30	CASE COMP., AIR CLEANER.....	-	1	-	1	1	-----	ED6, EDD2, EDS6, EDT6, LFU, SXS6, VCF, VCT, VCT2, VKER, VKXR, VPP9, VWS, VWS1, VXF, VXT	
	17220-ZBH-W00	-	-	-	1	-	-----	EZD2, EZDM, EZDS, EZDV, VZC2, VZP9, VZWE, VZXZ	
	17220-Z23-S30	-	-	-	1	-	1041644	VAA1, VC2, VEP9, VKE4, VKX4, VPE5, VPE9, VPX4, VPX9, VSD4, VWC, VWE, VXG	
	17220-Z23-H60	-	-	-	1	-	1041645	1083131 VAA1, VC2, VEP9, VKE4, VKX4, VPE5, VPE9, VPX4, VPX9, VSD4, VWC, VWE, VXG	
	17220-Z23-S30	-	-	-	1	-	1083132	-----	VAA1, VC2, VEP9, VKE4, VKX4, VPE5, VPE9, VPX4, VPX9, VSD4, VWC, VWE, VXG
3	17222-Z23-H60	STAY, AIR CLEANER.....	-	-	-	1	-	-----	ED6, EDD2, EDS6, EDT6, SXS6, VAA1, VC2, VCF, VCT, VCT2, VEP9, VKE4, VKER, VKX4, VKXR, VPE5, VPE9, VPP9, VPX4, VPX9, VSD4, VWC, VWE, VWS, VWS1, VXF, VXG, VXT, VZC2, VZP9	
	17222-Z23-F10	STAY COMP., AIR CLEANER.....	-	-	-	1	-	-----	EZD2, EZDM, EZDS, EZDV, VZWE, VZXZ	
4	17223-Z23-000	SPRING, AIR CLEANER CASE LID.....	-	2	-	2	2	-----	ED6, EDD2, EDS6, EDT6, EZD2, EZDM, EZDS, EZDV, LFU, SXS6, VAA1, VC2, VCF, VCT, VCT2, VEP9, VKE4, VKER, VKX4, VKXR, VPE5, VPE9, VPP9, VPX4, VPX9, VSD4, VWC, VWE, VWS, VWS1, VXF, VXG, VXT, VZC2, VZP9, VZWE, VZXZ	
5	17223-ZBH-000	BASE COMP., AIR CLEANER.....	-	1	-	1	1	-----	LFU, SXS6, VCF, VPP9, VWS1, VXF, VXT	
	17223-ZBH-W01	-	-	-	1	-	-----	VZXZ	
	17223-Z23-S30	-	-	-	1	-	1041614	VAA1, VC2, VEP9, VKE4, VKX4, VPE5, VPE9, VPX4, VPX9, VSD4, VWC, VWE, VXG	
	17223-ZBH-W00	-	-	-	1	-	1474122	ED6, EDD2, EDS6, EDT6, VCT, VCT2, VKER, VKXR, VWS	
	17223-Z23-H60	-	-	-	1	-	1701877	EZD2, EZDM, EZDS, EZDV, VZC2, VZP9, VZWE	
		-	-	-	1	-	1041615	1083131 VAA1, VC2, VEP9, VKE4, VKX4, VPE5, VPE9, VPX4, VPX9, VSD4, VWC, VWE, VXG	

2

E-15-4

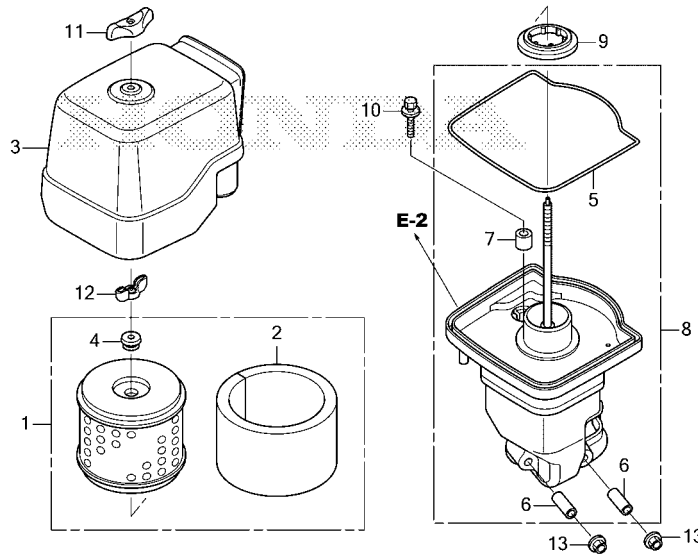
AIR CLEANER(5)

Ref. No.	Part No.	Description	Reqd. QTY					Serial No.	Parts catalogue code
			GX 390 UT1	GX 390 UT2	GX 390 RT1	GX 390 RT2	GX 390 UT2X		
(5)	17223-Z23-S30	BASE COMP., AIR CLEANER.....	-	-	-	1	-	1083132 1474122	VAA1,VC2,VEP9,VKE4,VKX4,VPE5,VPE9,VPX4,VPX9,VSD4,VWC,VWE VXG
	17223-ZBH-000	-	-	-	1	-	1474123	ED6, EDD2, EDS6, EDT6, VAA1, VC2, VCT, VCT2, VEP9, VKE4, VKER, VKX4 VKXR, VPE5, VPE9, VPX4, VPX9, VSD4, VWC, VWE, VWS, VXG
	17223-ZBH-W01	-	-	-	1	-	1701878	EZD2, EZDM, EZDS, EZDV, VZC2, VZP9, VZWE
6	17229-Z23-H60	SEAL, AIR CLEANER CASE.....	-	1	-	1	1	-----	ED6, EDD2, EDS6, EDT6, LFU, SXS6, VAA1, VC2, VCF, VCT, VCT2, VEP9 VKE4, VKER, VKX4, VKXR, VPE5, VPE9, VPP9, VPX4, VPX9, VSD4, VWC, VWE VWS, VWS1, VXF, VXG, VXT
	17229-ZBH-W00	-	-	-	1	-	-----	EZD2, EZDM, EZDS, EZDV, VZC2, VZP9, VZWE, VZXZ
7	17231-ZBH-000	COVER, AIR CLEANER.....	-	1	-	1	1	-----	ED6, EDD2, EDS6, EDT6, LFU, SXS6, VCF, VCT, VCT2, VKER, VKXR, VPP9 VWS, VWS1, VXF, VXT
	17231-ZBH-W01	-	-	-	1	-	-----	EZD2, EZDM, EZDS, EZDV, VZC2, VZP9, VZWE, VZXZ
	17231-Z23-H60	-	-	-	1	-	1041614	VAA1, VC2, VEP9, VKE4, VKX4, VPE5, VPE9, VPX4, VPX9, VSD4, VWC, VWE VXG
	17231-ZBH-000	-	-	-	1	-	1041615	VAA1, VC2, VEP9, VKE4, VKX4, VPE5, VPE9, VPX4, VPX9, VSD4, VWC, VWE VXG
8	17233-Z23-H60	SEAL, AIR CLEANER COVER.....	-	1	-	1	1	-----	ED6, EDD2, EDS6, EDT6, LFU, SXS6, VAA1, VC2, VCF, VCT, VCT2, VEP9 VKE4, VKER, VKX4, VKXR, VPE5, VPE9, VPP9, VPX4, VPX9, VSD4, VWC, VWE VWS, VWS1, VXF, VXG, VXT
	17233-ZBH-W00	-	-	-	1	-	-----	EZD2, EZDM, EZDS, EZDV, VZC2, VZP9, VZWE, VZXZ
9	17238-ZG9-M00	COLLAR, AIR CLEANER.....	-	2	-	2	2	-----	ED6, EDD2, EDS6, EDT6, LFU, SXS6, VAA1, VC2, VCF, VCT, VCT2, VEP9 VKE4, VKER, VKX4, VKXR, VPE5, VPE9, VPP9, VPX4, VPX9, VSD4, VWC, VWE VWS, VWS1, VXF, VXG, VXT
	17238-ZBH-W00	-	-	-	2	-	-----	EZD2, EZDM, EZDS, EZDV, VZC2, VZP9, VZWE, VZXZ
10	17238-ZE7-710	COLLAR, AIR CLEANER.....	-	1	-	1	1	-----	ED6, EDD2, EDS6, EDT6, EZD2, EZDM, EZDS, EZDV, LFU, SXS6, VAA1, VC2 VCF, VCT, VCT2, VEP9, VKE4, VKER, VKX4, VKXR, VPE5, VPE9, VPP9, VPX4 VPX9, VSD4, VWC, VWE, VWS, VWS1, VXF, VXG, VXT, VZC2, VZP9, VZWE VZXZ
11	90005-ZM3-000	BOLT, FLANGE, 5X18.....	-	4	-	4	4	-----	ED6, EDD2, EDS6, EDT6, LFU, SXS6, VAA1, VC2, VCF, VCT, VCT2, VEP9 VKE4, VKER, VKX4, VKXR, VPE5, VPE9, VPP9, VPX4, VPX9, VSD4, VWC, VWE VWS, VWS1, VXF, VXG, VXT
		-	-	-	6	-	-----	EZD2, EZDM, EZDS, EZDV, VZC2, VZP9, VZWE, VZXZ
12	90802-Z6L-000	CAP, SEALING.....	-	1	-	1	1	-----	ED6, EDD2, EDS6, EDT6, EZD2, EZDM, EZDS, EZDV, LFU, SXS6, VAA1, VC2 VCF, VCT, VCT2, VEP9, VKE4, VKER, VKX4, VKXR, VPE5, VPE9, VPP9, VPX4 VPX9, VSD4, VWC, VWE, VWS, VWS1, VXF, VXG, VXT, VZC2, VZP9, VZWE VZXZ
13	90854-ZB3-000	RUBBER, FUEL(9X15X20).....	-	1	-	1	1	-----	ED6, EDD2, EDS6, EDT6, EZD2, EZDM, EZDS, EZDV, LFU, SXS6, VC2, VCF VCT2, VEP9, VKE4, VKER, VKX4, VKXR, VPE5, VPE9, VPP9, VPX4, VPX9 VSD4, VWC, VWE, VWS, VWS1, VXF, VXG, VZC2, VZP9, VZWE, VZXZ
14	94050-06000	NUT, FLANGE, 6MM.....	-	-	-	2	-	-----	EZD2, EZDM, EZDS, EZDV, VZC2, VZP9, VZWE, VZXZ
15	95701-06032-08	BOLT, FLANGE, 6X32.....	-	-	-	1	-	-----	ED6, EDD2, EDS6, EDT6, EZD2, EZDM, EZDS, EZDV, SXS6, VAA1, VC2, VCF VCT, VCT2, VEP9, VKE4, VKER, VKX4, VKXR, VPE5, VPE9, VPP9, VPX4 VPX9, VSD4, VWC, VWE, VWS, VWS1, VXF, VXG, VXT, VZC2, VZP9, VZWE VZXZ



E-15-5

AIR CLEANER(6)



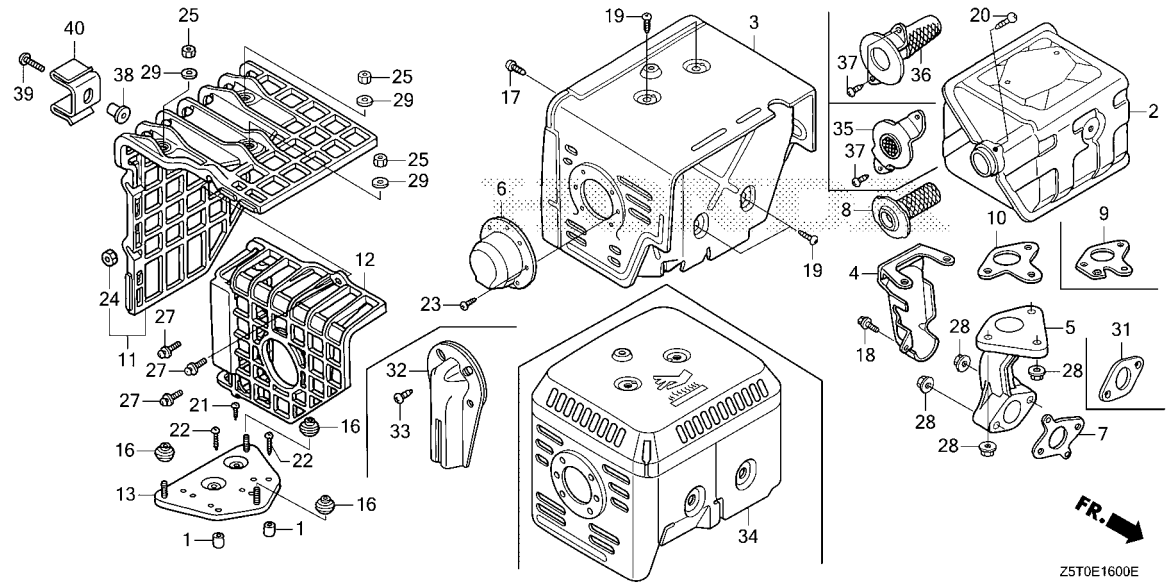
Z5T0E1505A

Ref. L.O.N. (Relative ref. Number) F.R.T.
No. Description

Ref. No.	Part No.	Description	Reqd. QTY					Serial No.	Parts catalogue code
			GX 390 UT1	GX 390 UT2	GX 390 RT1	GX 390 RT2	GX 390 UT2X		
1	17210-Z1C-781	ELEMENT, AIR CLEANER.....	-	1	-	-	1	-----	QC1, QC3, QC4, QC5, QC6, QC9, QCDW, QCE2, QCWT, SC1, SCC, SCM, SCM1 SCM2, SCM3, SCMV, SE1C, SE2C
2	17218-Z1C-780	FILTER, OUTER.....	-	1	-	-	1	-----	QC1, QC3, QC4, QC5, QC6, QC9, QCDW, QCE2, QCWT, SC1, SCC, SCM, SCM1 SCM2, SCM3, SCMV, SE1C, SE2C
3	17230-Z1C-780	COVER ASSY., AIR CLEANER (INCLUDE CYCLONE PRE CLEANER)	-	1	-	-	1	-----	QC1, QC3, QC4, QC5, QC6, QC9, QCDW, QCE2, QCWT, SC1, SCC, SCM, SCM1 SCM2, SCM3, SCMV, SE1C, SE2C
4	17232-891-000	GROMMET, AIR CLEANER.....	-	1	-	-	1	-----	QC1, QC3, QC4, QC5, QC6, QC9, QCDW, QCE2, QCWT, SC1, SCC, SCM, SCM1 SCM2, SCM3, SCMV, SE1C, SE2C
5	17233-Z1C-780	SEAL, AIR CLEANER COVER.....	-	1	-	-	1	-----	QC1, QC3, QC4, QC5, QC6, QC9, QCDW, QCE2, QCWT, SC1, SCC, SCM, SCM1 SCM2, SCM3, SCMV, SE1C, SE2C
6	17238-ZE2-310	COLLAR, AIR CLEANER.....	-	2	-	-	2	-----	QC1, QC3, QC4, QC5, QC6, QC9, QCDW, QCE2, QCWT, SC1, SCC, SCM, SCM1 SCM2, SCM3, SCMV, SE1C, SE2C
7	17239-ZE3-840	COLLAR B, AIR CLEANER.....	-	1	-	-	1	-----	QC1, QC3, QC4, QC5, QC6, QC9, QCDW, QCE2, QCWT, SC1, SCC, SCM, SCM1 SCM2, SCM3, SCMV, SE1C, SE2C
8	17410-Z1C-780	ELBOW COMP., AIR CLEANER.....	-	1	-	-	1	-----	QC1, QC3, QC4, QC5, QC6, QC9, QCDW, QCE2, QCWT, SC1, SCC, SCM, SCM1 SCM2, SCM3, SCMV, SE1C, SE2C
9	17417-Z5T-000	PACKING, AIR CLEANER CASE.....	-	1	-	-	1	-----	QC1, QC3, QC4, QC5, QC6, QC9, QCDW, QCE2, QCWT, SC1, SCC, SCM, SCM1 SCM2, SCM3, SCMV, SE1C, SE2C
10	90009-Z1C-000	BOLT-WASHER, 6X22.....	-	1	-	-	1	-----	QC1, QC3, QC4, QC5, QC6, QC9, QCDW, QCE2, QCWT, SC1, SCC, SCM, SCM1 SCM2, SCM3, SCMV, SE1C, SE2C
11	90300-Z4M-800	NUT, AIR CLEANER.....	-	1	-	-	1	-----	QC1, QC3, QC4, QC5, QC6, QC9, QCDW, QCE2, QCWT, SC1, SCC, SCM, SCM1 SCM2, SCM3, SCMV, SE1C, SE2C
12	90325-044-000	NUT, TOOL BOX SETTING.....	-	1	-	-	1	-----	QC1, QC3, QC4, QC5, QC6, QC9, QCDW, QCE2, QCWT, SC1, SCC, SCM, SCM1 SCM2, SCM3, SCMV, SE1C, SE2C
13	94050-06000	NUT, FLANGE, 6MM.....	-	2	-	-	2	-----	QC1, QC3, QC4, QC5, QC6, QC9, QCDW, QCE2, QCWT, SC1, SCC, SCM, SCM1 SCM2, SCM3, SCMV, SE1C, SE2C

E-16

MUFFLER(1)



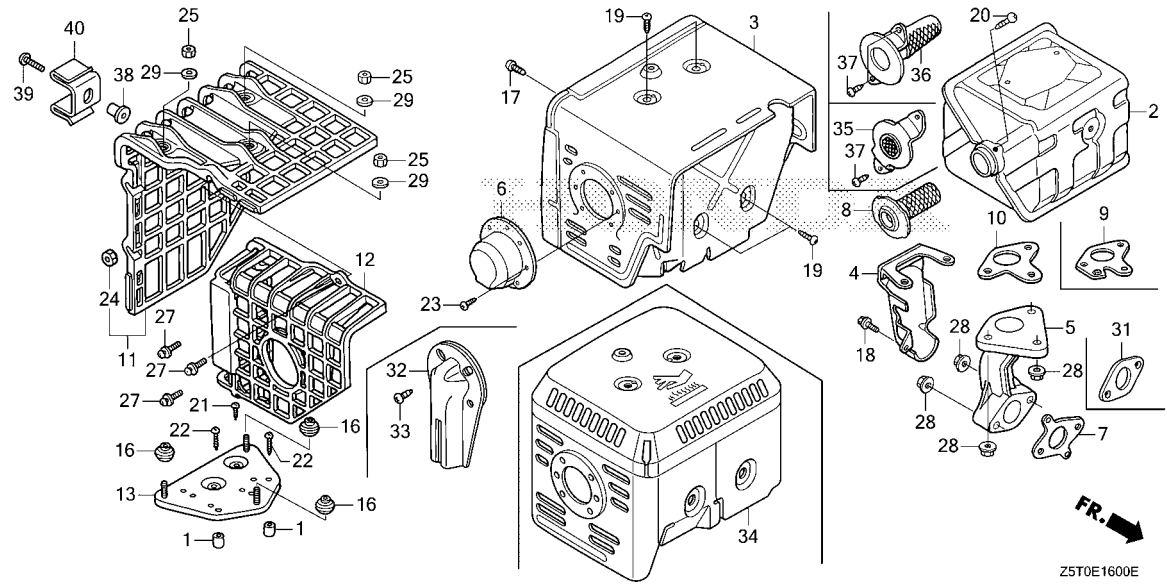
Ref. L.O.N. (Relative ref. Number) F.R.T.
No. Description

Ref. No.	Part No.	Description	Reqd. QTY					Serial No.	Parts catalogue code
			GX 390 UT1	GX 390 UT2	GX 390 RT1	GX 390 RT2	GX 390 UT2X		
1	17233-896-701	COLLAR, AIR CLEANER CASE.....	(2)	(2)	(2)	(2)	(2)	-----	LKE, LXE4, LXE5, LXQ4, QC5, QC6, QE, QHB4, QK4, QKA4, QME0, QME2, QWA4, QWC4, QXAC, QXB7, QXB9, QXE4, QXE7, QXE9, QXH9, QXQ4, QZX9, SCK4, SCMV, SDQ5, SHQ2, SHQ4, SHQ5, SHQ6, SMC1, SMC2, SME0, SME6, SMES, STC4, SWA2, SWA4, SXB7, SXB9, SXE4, SXEM, SXQ4, VN27, VNG1, VPE5, VPX2, VPX4, VSB9, VSD7, VSD9, VWC9, VWT4, VXB7, VXB9, VXE7, VXE9, VXQ4, VZX7, VZXZ
2	18310-ZE2-W61	MUFFLER COMP.(100DB).....	1	-	1	-	-	-----	HA2, LKE, LX2, LXE4, LXE8, LXQ4, LXU, PA2, PAE2, PXD8, PXE8, PXU, QA2, QA26, QA4, QAA2, QAA6, QAE2, QAE4, QAE6, QAW, QC2, QDW9, QE, QHB4, QK4, QKA4, QME0, QME2, QNB2, QNE2, QNE6, QNE8, QNR2, QNR6, QTT, QWA2, QWA4, QWC4, QWT2, QXB7, QXC6, QXC9, QXCU, QXE4, QXE6, QXE7, QXE8, QXER, QXQ4, QXU, QXUZ, SCK4, SHQ2, SHQ4, SM32, SMC1, SMC2, SME0, SME6, STC4, SWA2, SWA4, SXB7, SXE4, SXE8, SXQ4, SXU, VA2, VAC2, VAG2, VCN2, VD2, VDE2, VK2, VKB2, VM2, VN27, VNG1, VPX2, VPX4, VSD7, VX8, VXB7, VXE2, VXE6, VXE7, VXE8, VXQ4
	18310-ZK6-880	MUFFLER COMP.	1	-	1	-	-	-----	QXB9, QXE9, QXH9, SXB9, VSD9, VWC9, VXB9, VXE9
	18310-Z5T-010	-	1	-	1	1	-----	HA2, LKE, LX2, LXE4, LXE5, LXE8, LXQ4, LXU, PA2, PAE2, PKT, PXD8, PXE8, PXM8, PXU, QA2, QA26, QA4, QAA2, QAA6, QAE2, QAE4, QAE6, QAGN, QC2, QC3, QC5, QC6, QC9, QCDW, QCE2, QCWT, QDW9, QE, QHB4, QK4, QKA4, QMAH, QME0, QNB2, QNE2, QNE8, QNGN, QNR2, QNR6, QNRV, QTT, QWA2, QWA4, QWC4, QWT2, QXB7, QXB9, QXC6, QXC9, QXCU, QXE4, QXE6, QXE7, QXE8, QXE9, QXE8, QXE9, QXEM, QXER, QXQ4, QXU, QXUM, QXUZ, QZA2, QZAV, QZC, QZD, QZDS, QZHW, QZME, QZN2, QZND, QZNH, QZNR, QZRL, QZRV, QZX9, QZXR, SCC, SCK4, SCM, SCM1, SCM2, SCM3, SCMV, SE1C, SE2C, SHQ4, SHQ5, SHQ6, SM32, SMC1, SME0, SME6, SMSC, SMX2, SMXC, STC4, SWA4, SXB7, SXBG, SXE4, SXE8, SXEM, SXQ4, SXU, SZEC, VA2, VAG2, VDE2, VK2, VKB2, VM2, VN27, VPX4, VSB9, VSD7, VSD9, VWC9, VX8, VXB7, VXB9, VXE2, VXE7, VXE8, VXE9, VXQ4, VZS9, VZX7, VZX8



E-16

MUFFLER(1)



Ref. No.	Part No.	Description	Reqd. QTY					Serial No.	Parts catalogue code
			GX 390 UT1	GX 390 UT2	GX 390 RT1	GX 390 RT2	GX 390 UT2X		
3	18320-ZF6-W02	PROTECTOR COMP., MUFFLER (100DB)	1	-	1	-	-	-----	QXB7, QXB9, QXE7, QXE9, QXH9, SCK4, SXB7, SXB9, VN27, VNG1, VSD7, VSD9, VWC9, VXB7, VXB9, VXE7, VXE9
	18320-ZE2-W61	PROTECTOR COMP., MUFFLER.....	1	-	1	-	-	1603172	HA2, LKE, LX2, LXE4, LXE8, LXQ4, LXU, PA2, PAE2, PXD8, PXE8, PXU, QA2, QA26, QAA2, QAA6, QAE2, QAE6, QAW, QC2, QDW9, QE, QHB4, QK4, QKA4, QME0, QNB2, QNE2, QNE6, QNE8, QNR2, QNR6, QTT, QWA2, QWA4, QWC4, QWT2, QXC6, QXC9, QXE4, QXE6, QXE8, QXER, QXQ4, QXU, QXUZ, SHQ4, SM32, SMC1, SME0, SME6, STC4, SWA4, SXE4, SXE8, SXQ4, SXU, VA2, VAC2, VAG2, VCN2, VD2, VDE2, VK2, VKB2, VM2, VX8, VXE2, VXE6, VXE8, VXQ4
	18320-ZE2-W62	1	-	1	-	-	1603173	HA2, LKE, LX2, LXE4, LXE8, LXQ4, LXU, PA2, PAE2, PXD8, PXE8, PXU, QA2, QA26, QAA2, QAA6, QAE2, QAE6, QAW, QC2, QDW9, QE, QHB4, QK4, QKA4, QME0, QNB2, QNE2, QNE6, QNE8, QNR2, QNR6, QTT, QWA2, QWA4, QWC4, QWT2, QXC6, QXC9, QXE4, QXE6, QXE8, QXER, QXQ4, QXU, QXUZ, SHQ4, SM32, SMC1, SME0, SME6, STC4, SWA4, SXE4, SXE8, SXQ4, SXU, VA2, VAC2, VAG2, VCN2, VD2, VDE2, VK2, VKB2, VM2, VX8, VXE2, VXE6, VXE8, VXQ4
4	18323-ZE3-W40	PROTECTOR, EX. PIPE.....	1	-	-	-	-	-----	QA4, QAE4, QME2, QXCU, SHQ2, SMC2, SWA2
	18205-Z5T-000	PROTECTOR COMP., EX. PIPE.....	-	1	-	1	-	-----	HA2, PAE2, QA2, QA26, QA4, QAA2, QAA6, QAE2, QAE4, QAE6, QAW, QNB2, QNE2, QNE6, QNE8, QNR2, QNR6, QTT, QWA2, SWA2, SWA4, VA2, VAC2, VAG2, VD2, VDE2, VM2
	18323-Z5T-W41	PROTECTOR, EX. PIPE.....	-	1	-	1	-	-----	QAA2, QAA6, QNE2, QNE8, QNR2, QNR6, QTT, QZN2, QZNR
	18205-Z5T-000	PROTECTOR COMP., EX. PIPE.....	-	1	-	1	-	1063106	QAGN, QNGN, QNRV, QWC, QZC, QZME, QZND, QZNH, QZRV, SCM, SCM3, SMX2, SMXC, SZEC
									HA2, PAE2, QA2, QA26, QA4, QAE2, QAE4, QAE6, QNB2, QWA2, QXE9, QZA2, QZAV, SWA4, VA2, VAG2, VDE2, VM2



E-16

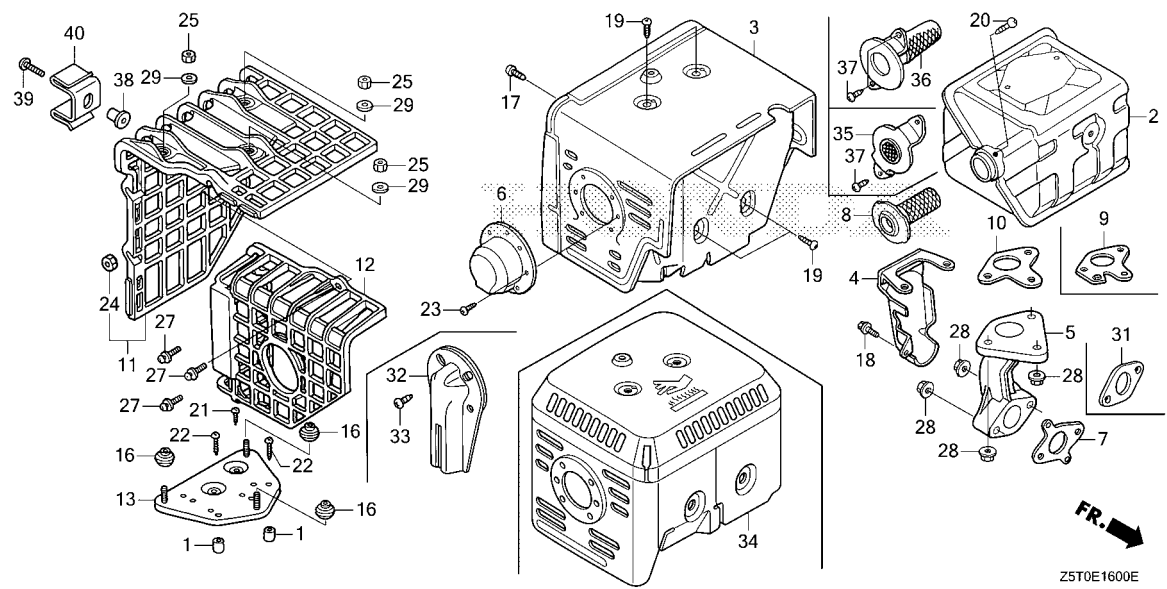
MUFFLER(1)

Ref. No.	Part No.	Description	Reqd. QTY					Serial No.	Parts catalogue code
			GX 390 UT1	GX 390 UT2	GX 390 RT1	GX 390 RT2	GX 390 UT2X		
(4)	18323-Z5T-W41	PROTECTOR, EX. PIPE.....	-	1	-	-	-	1063107 -----	HA2, PAE2, QA2, QA26, QA4, QAA2, QAA6, QAE2, QAE4, QAE6, QNE2, QNE8 QNR2, QNR6, QZA2, QZAV, QZN2, QZNR, SWA4, VA2, VM2
			-	1	-	-	-	1063107 1343356	QXE9
			-	-	-	1	-	1067728 -----	QNB2, QTT, QWA2, VAG2, VDE2
			-	-	-	-	1	-----	HA2, PAE2, QA2, QA4, QAA2, QAE2, QNE2, QNR2, QNRV, QWC, QZA2, QZAV QZN2, QZNR, SCM, SCM3, SMX2, SWA4
5	18330-ZE2-W00	PIPE, EX.	1	-	1	-	-	-----	HA2, LKE, LX2, LXE4, LXE8, LXQ4, LXU, PA2, PAE2, PXD8, PXE8, PXU, QA2 QA26, QA4, QAA2, QAA6, QAE2, QAE4, QAE6, QAW, QC2, QDW9, QE, QHB4 QK4, QKA4, QME0, QME2, QNB2, QNE2, QNE6, QNE8, QNR2, QNR6, QTT, QWA2 QWA4, QWC4, QWT2, QXB7, QXB9, QXC6, QXC9, QXCU, QXE4, QXE6, QXE7 QXE8, QXE9, QXER, QXH9, QXQ4, QXU, QXUZ, SCK4, SHQ2, SHQ4, SM32 SMC1, SMC2, SME0, SME6, STC4, SWA2, SWA4, SXB7, SXB9, SXE4, SXE8 SXQ4, SXU, VA2, VAC2, VAG2, VCN2, VD2, VDE2, VK2, VKB2, VM2, VN27 VNG1, VSD7, VSD9, VWC9, VX8, VXB7, VXB9, VXE2, VXE6, VXE7, VXE8 VXE9, VXQ4
	18331-Z5T-000	-	1	-	1	1	-----	HA2, LKE, LX2, LXE4, LXE5, LXE8, LXQ4, LXU, PA2, PAE2, PKT, PXD8 PXE8, PXM8, PXU, QA2, QA26, QA4, QAA2, QAA6, QAE2, QAE4, QAE6, QAGN QC2, QC3, QC5, QC6, QC9, QCDW, QCE2, QCWT, QDW9, QE, QHB4, QK4, QKA4 QMAH, QME0, QNB2, QNE2, QNE8, QNGN, QNR2, QNR6, QNRV, QTT, QWA2 QWA4, QWC, QWC4, QWT2, QXB7, QXB9, QXC6, QXC9, QXCU, QXE4, QXE6 QXE7, QXE8, QXE9, QXEM, QXER, QXQ4, QXU, QXUM, QXUZ, QZA2, QZAV, QZC QZD, QZDS, QZHW, QZME, QZN2, QZND, QZNH, QZNR, QZRL, QZRV, QZX9 QZXR, SCC, SCK4, SCM, SCM1, SCM2, SCM3, SCMV, SE1C, SE2C, SHQ4, SHQ5 SHQ6, SM32, SMC1, SME0, SME6, SMSC, SMX2, SMXC, STC4, SWA4, SXB7 SXBG, SXE4, SXE8, SXEM, SXQ4, SXU, SZEC, VA2, VAG2, VDE2, VK2, VKB2 VM2, VN27, VSB9, VSD7, VSD9, VWC9, VX8, VXB7, VXB9, VXE2, VXE7, VXE8 VXE9, VXQ4, VZS9, VZX7, VZX8
6	18331-ZE3-811	CAP, MUFFLER.....	1	-	1	1	-	-----	HA2, PAE2, PXD8, QA4, QAE2, QAE4, QAE6, QAGN, QE, QHB4, QKA4, QNB2 QNE2, QNE6, QNE8, QNGN, QNR2, QNR6, QWC4, QXER, QXUZ, SM32, SMC1 SMC2, VA2, VD2, VK2, VKB2, VM2
	18331-ZE3-810	1	-	-	-	-	1401132	QA2, QA26, QAW, QK4, QWA4, QWT2
	18331-ZE3-811	1	-	-	-	-	1401133	QA2, QA26, QAW, QK4, QWA4, QWT2
			-	1	-	-	1	-----	HA2, PAE2, PXD8, QA2, QA26, QA4, QAE2, QAE4, QAE6, QC5, QC6, QCWT, QE QHB4, QK4, QKA4, QMAH, QNE2, QNE8, QNR2, QNR6, QNRV, QWA4, QWC, QWC4 QWT2, QXER, QXUZ, QZA2, QZAV, QZC, QZHW, QZN2, QZND, QZNH, QZNR QZRL, QZXR, SCC, SCM, SCM1, SCM2, SCM3, SCMV, SE1C, SE2C, SM32, SMC1 SMSC, SMX2, SMXC, SXBG, SXEM, SZEC, VA2, VM2
7	18333-ZF6-W01	GASKET, EX. PIPE.....	1	-	1	-	-	-----	HA2, LKE, LX2, LXE4, LXE8, LXQ4, LXU, PA2, PAE2, PXD8, PXE8, PXU, QA2 QA26, QA4, QAA2, QAA6, QAE2, QAE4, QAE6, QAW, QC2, QDW9, QE, QHB4 QK4, QKA4, QME0, QME2, QNB2, QNE2, QNE6, QNE8, QNR2, QNR6, QTT, QWA2 QWA4, QWC4, QWT2, QXB7, QXB9, QXC6, QXC9, QXCU, QXE4, QXE6, QXE7 QXE8, QXE9, QXER, QXH9, QXQ4, QXU, QXUZ, SCK4, SHQ2, SHQ4, SM32 SMC1, SMC2, SME0, SME6, STC4, SWA2, SWA4, SXB7, SXB9, SXE4, SXE8 SXQ4, SXU, VA2, VAC2, VAG2, VC2, VCN2, VCN2, VD2, VDE2, VK2, VKB2 VM2, VN27, VNG1, VPE5, VPE9, VPX9, VSD7, VSD9, VWC, VWC9, VVE, VX8 VXB7, VXB9, VXE2, VXE6, VXE7, VXE8, VXE9, VXG, VXQ4
	18333-Z1C-901	-	1	-	1	-	-----	LXE5, QAGN, QC3, QC5, QC6, QC9, QCDW, QCE2, QCWT, QMAH, QNGN, QNRV QXAC, QZC, QZD, QZDS, QZHW, QZME, QZND, QZRL, QZRV, SCC, SCM, SCM1 SCM2, SCM3, SHQ6, SMES, SMSC, SMXC, SXBG, SXEM, SZEC, VSB9, VZS9
	18333-ZF6-W01	-	1	-	-	-	1517215	HA2, LKE, LX2, LXE4, LXE8, LXQ4, LXU, PA2, PAE2, PKT, PXD8, PXE8, PXU QA2, QA26, QA4, QAA2, QAA6, QAE2, QAE4, QAE6, QC2, QDW9, QE, QHB4 QK4, QKA4, QME0, QNE2, QNE8, QNR2, QNR6, QWA4, QWC, QWC4, QWT2, QXB7 QXB9, QXC6, QXC9, QXCU, QXE4, QXE6, QXE7, QXE8, QXE9, QXEM, QXER QXQ4, QXU, QXUM, QXUZ, QZA2, QZAV, QZN2, QZNH, QZNR, QZX9, QZXR SCK4, SHQ4, SHQ5, SM32, SMC1, SME0, SME6, SMX2, STC4, SWA4, SXB7 SXE4, SXE8, SXQ4, SXU, VA2, VM2, VN27, VSD7, VSD9, VX8, VXB7, VXB9 VXE2, VXE7, VXE8, VXE9, VXQ4, VZX7, VZX8



E-16

MUFFLER(1)



Ref. No.	Part No.	Description	Reqd. QTY					Serial No.	Parts catalogue code
			GX 390 UT1	GX 390 UT2	GX 390 RT1	GX 390 RT2	GX 390 UT2X		
(7)	18333-Z1C-901	GASKET, EX. PIPE.....	-	1	-	-	-	1517216	HA2, LKE, LX2, LXE4, LXE8, LXQ4, LXU, PA2, PAE2, PKT, PXD8, PXE8, PXU, QA2, QA26, QA4, QAA2, QAA6, QAE2, QAE4, QAE6, QC2, QDW9, QE, QHB4, QK4, QKA4, QME0, QNE2, QNE8, QNR2, QNR6, QWA4, QWC, QWC4, QWT2, QXB7, QXB9, QXC6, QXC9, QXCU, QXE4, QXE6, QXE7, QXE8, QXE9, QXEM, QXER, QXQ4, QXU, QXUM, QXUZ, QZA2, QZAV, QZN2, QZNH, QZNR, QZX9, QZXR, SCK4, SHQ4, SHQ5, SM32, SMC1, SME0, SME6, SMX2, STC4, SWA4, SXB7, SXE4, SXE8, SXQ4, SXU, VA2, VM2, VN27, VSD7, VSD9, VX8, VXB7, VXB9, VXE2, VXE7, VXE8, VXE9, VXQ4, VZX7, VZX8
	18333-ZF6-W01	-	-	-	1	-	-----	SDQ5, VC2, VCF, VCT, VCT2, VPE5, VPE9, VPP9, VPX9, VWC, VWE, VXF, VXG, VXT, VZC2, VZP9
	18333-Z1C-901	-	-	-	1	-	1517807	PXM8, QNB2, QTT, QWA2, VAG2, VDE2, VK2, VKB2, VWC9
	18333-ZF6-W01	-	-	-	1	-	3000001	PXM8, QNB2, QTT, QWA2, VAG2, VDE2, VK2, VKB2, VWC9
	18333-Z1C-901	-	-	-	1	-	-----	VZXZ
									HA2, LFU, LKE, LX2, LXE4, LXE5, LXE8, LXQ4, LXU, PA2, PAE2, PKT, PXD8, PXE8, PXU, QA2, QA4, QAA2, QAE2, QC3, QC5, QC6, QC9, QCDW, QCE2, QCWT, QE, QHB4, QK4, QKA4, QMAH, QME0, QNE2, QNR2, QNRV, QWC, QXAC, QXB7, QXB9, QXE4, QXE6, QXE7, QXE8, QXE9, QXEM, QXER, QXQ4, QXU, QXUM, QXUZ, QZA2, QZAV, QZD, QZHW, QZN2, QZNR, QZRL, QZXR, SCC, SCK4, SCM, SCM1, SCM3, SCMV, SE1C, SE2C, SHQ4, SHQ5, SHQ6, SM32, SMC1, SME0, SME6, SMX2, STC4, SWA4, SXB7, SXBG, SXE4, SXEM, SXQ4, VN27, VSB9, VSD9, VX8, VXB7, VXB9, VXE2, VXE7, VXE8, VXE9, VZX7, VZX8



E-16

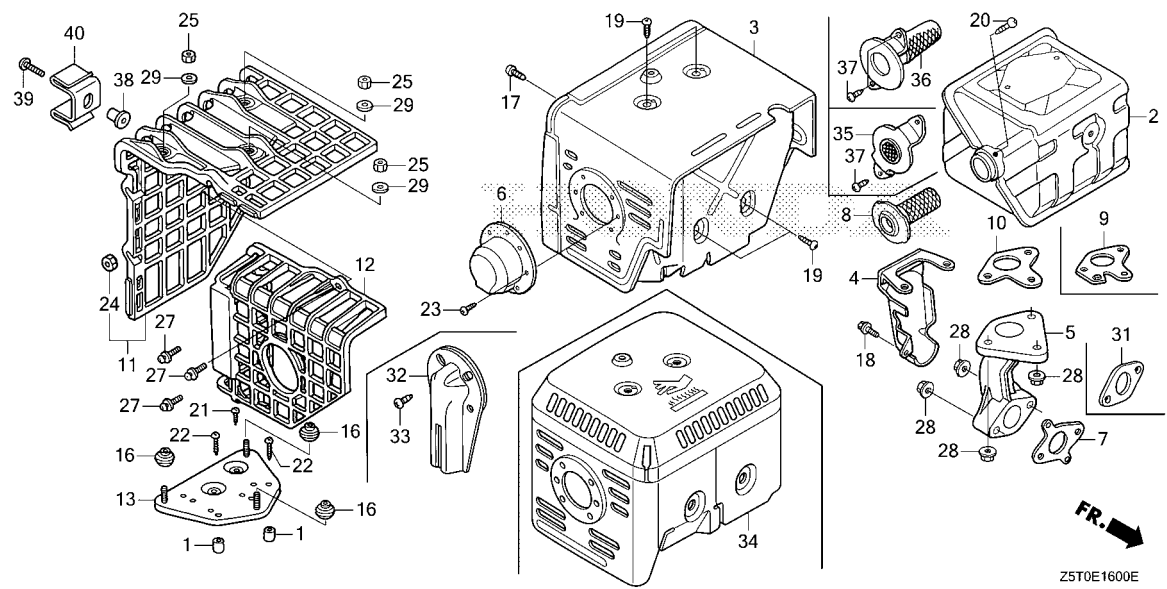
MUFFLER(1)

Ref. No.	Part No.	Description	Reqd. QTY					Serial No.	Parts catalogue code
			GX 390 UT1	GX 390 UT2	GX 390 RT1	GX 390 RT2	GX 390 UT2X		
8	18355-ZE2-W00	ARRESTER, SPARK.....	1	-	1	-	-	HA2, PAE2, PXD8, QA2, QA26, QA4, QAE2, QAE4, QAE6, QAW, QC2, QDW9, QE QHB4, QK4, QKA4, QNB2, QWA2, QWA4, QWC4, QXB7, QXB9, QXE7, QXE9 QXH9, SCK4, SMC1, SMC2, STC4, SWA2, SWA4, SXB7, SXB9, VA2, VAC2 VAG2, VCN2, VD2, VDE2, VK2, VKB2, VM2, VN27, VNG1, VPE5, VPE9, VPX2 VPX4, VPX9, VSD7, VSD9, VWC9, VXB7, VXB9, VXE7, VXE9 (1) - (1) - - - - - LKE, LX2, LXE4, LXE8, LXQ4, LXU, PA2, PXE8, PXU, QAA2, QAA6, QME0 QME2, QNE2, QNE6, QNE8, QNR2, QNR6, QTT, QWT2, QXC6, QXC9, QXCU QXE4, QXE6, QXE8, QXER, QXQ4, QXU, QXUZ, SHQ2, SHQ4, SM32, SME0 SME6, SXE4, SXE8, SXQ4, SXU, VC2, VC2N, VWC, VWE, VWT4, VX8, VXE2 VXE6, VXE8, VXG, VXQ4 QXAC VPE5, VPE9, VPP9, VPX9, VZP9, VZXZ	
9	18381-Z8S-801	GASKET, MUFFLER(ARRESTER) (THAI LEAKLESS)	1	1	1	1	1	HA2, LXE5, PAE2, PXD8, QA2, QA26, QA4, QAE2, QAE4, QAE6, QAGN, QAW QC2, QC5, QC6, QCDW, QCE2, QDW9, QE, QHB4, QK4, QKA4, QNB2, QNRV QWA2, QWA4, QWC, QWC4, QXB7, QXB9, QXE7, QXE9, QXH9, QZA2, QZAV, QZC QZHW, QZME, QZRL, QZX9, SCK4, SCM, SCM3, SE1C, SE2C, SMC1, SMC2 SMX2, SMXC, STC4, SWA2, SWA4, SXB7, SXB9, VA2, VAC2, VAG2, VCN2, VD2 VDE2, VK2, VKB2, VM2, VN27, VNG1, VSB9, VSD7, VSD9, VWC9, VXB7, VXB9 VXE7, VXE9, VZS9, VZX7	
	18381-ZE2-W10	GASKET, MUFFLER(ARRESTER) (NIPPON LEAKLESS)	(1)	-	(1)	-	-	HA2, LKE, LX2, LXE4, LXE8, LXQ4, LXU, PA2, PAE2, PXE8, PXU, QA4, QAA2 QAA6, QAE2, QAE4, QAE6, QC2, QE, QHB4, QKA4, QME0, QME2, QNB2, QNE2 QNE6, QNE8, QNR2, QNR6, QTT, QWA2, QWC4, QWT2, QXC6, QXC9, QXCU QXE4, QXE6, QXE8, QXER, QXQ4, QXU, QXUZ, SHQ2, SHQ4, SM32, SMC1 SMC2, SME0, SME6, STC4, SWA2, SWA4, SXE4, SXE8, SXQ4, SXU, VA2, VAC2 VAG2, VC2, VC2N, VCN2, VD2, VDE2, VK2, VKB2, VKX4, VM2, VPE5, VPX2 VWC, VWE, VWT4, VX8, VXE2, VXE6, VXE8, VXG, VXQ4 PXD8, QA2, QA26, QAW, QDW9, QK4, QWA4, QXB7, QXB9, QXE7, QXE9, QXH9 SCK4, SXB7, SXB9, VN27, VNG1, VPX4, VSD7, VSD9, VWC9, VXB7, VXB9 VXE7, VXE9 HA2, LXE5, PAE2, PXD8, QA2, QA26, QA4, QAE2, QAE4, QAE6, QC2, QC5 QC6, QCDW, QCE2, QDW9, QE, QHB4, QK4, QKA4, QNRV, QWA4, QWC, QWC4 QXB7, QXB9, QXE7, QXE9, QZA2, QZAV, QZC, QZHW, QZME, QZRL, QZX9 SCK4, SCM, SCM3, SE1C, SE2C, SMC1, SMX2, SMXC, STC4, SWA4, SXB7, VA2 VM2, VN27, VSB9, VSD7, VSD9, VXB7, VXB9, VXE7, VXE9, VZS9, VZX7 QAGN, QNB2, QWA2, VAG2, VDE2, VK2, VKB2, VWC9 SDQ5, VPX4	
10	18381-ZE2-801	GASKET, MUFFLER (NIPPON LEAKLESS)	1	1	1	1	1	LKE, LX2, LXE4, LXE8, LXQ4, LXU, PA2, PKT, PXE8, PXM8, PXU, QAA2 QAA6, QC3, QC9, QCWT, QMAH, QME0, QME2, QNE2, QNE6, QNE8, QNGN, QNR2 QNR6, QTT, QWT2, QXC6, QXC9, QXCU, QXE4, QXE6, QXE8, QXEM, QXER QXQ4, QXU, QXUM, QXUZ, QZD, QZDS, QZN2, QZND, QZNH, QZNR, QZRV, QZXR SCC, SCM1, SCM2, SCMV, SHQ2, SHQ4, SHQ5, SHQ6, SM32, SME0, SME6 SMSC, SXBG, SXE4, SXE8, SXEM, SXQ4, SXU, SZEC, VX8, VXE2, VXE6, VXE8 VXQ4, VZX8	
	18381-Z1C-801	GASKET, MUFFLER(THAI LEAKLESS)	1	-	-	-	-	LKE, LX2, LXE4, LXQ4, PA2, QME0, QME2, QNE2, QNE6, QNE8, QNR2, QNR6 QXC6, QXCU, QXE4, QXE6, QXER, QXUZ, SHQ2, SM32, SME0, SME6, SXE4 SXU, VXE2, VXE6, VXQ4	
	18381-ZE2-800	GASKET, MUFFLER (NIPPON LEAKLESS)	1	-	-	-	-	LXQ4 1360188 LXE8, LXU, PXE8, PXU, QAA2, QAA6, QTT, QWT2, QXC9, QXE8, QXQ4, QXU SHQ4, SXE8, SXQ4, VX8, VXE8	



E-16

MUFFLER(1)



Ref. No.	Part No.	Description	Reqd. QTY					Serial No.	Parts catalogue code
			GX 390 UT1	GX 390 UT2	GX 390 RT1	GX 390 RT2	GX 390 UT2X		
10)	18381-Z1C-801	GASKET, MUFFLER(THAI LEAKLESS)	1	-	-	-	-	1360189 -----	LXE8, LXU, PXE8, PXU, QAA2, QAA6, QTT, QWT2, QXC9, QXE8, QXQ4, QXU SHQ4, SXE8, SXQ4, VX8, VXE8 LKE, LX2, LXE4, LXE8, LXQ4, LXU, PA2, PKT, PXE8, PXM8, PXU, QAA2 QAA6, QC3, QC9, QCWT, QMAH, QME0, QNE2, QNE8, QNGN, QNR2, QNR6, QTT QWT2, QXC6, QXC9, QXCUC, QXE4, QXE6, QXE8, QXEM, QXER, QXQ4, QXU QXUM, QXUZ, QZD, QZDS, QZN2, QZND, QZNH, QZNR, QZRV, QZXR, SCC, SCM1 SCM2, SCMV, SHQ4, SHQ5, SHQ6, SM32, SME0, SME6, SMSC, SXBG, SXE4 SXE8, SXEM, SXQ4, SXU, SZEC, VX8, VXE2, VXE8, VXQ4, VZX8
11	18433-Z5T-000	COVER COMP., MUFFLER.....	(1)	(1)	(1)	(1)	(1)	-----	LKE, LXE4, LXE5, LXQ4, QC5, QC6, QE, QHB4, QK4, QKA4, QME0, QME2 QWA4, QWC4, QXAC, QXB7, QXB9, QXE4, QXE7, QXE9, QXH9, QXQ4, QZX9 SCK4, SCMV, SDQ5, SHQ2, SHQ4, SHQ5, SHQ6, SMC1, SMC2, SME0, SME6 SMES, STC4, SWA2, SWA4, SXB7, SXB9, SXE4, SXEM, SXQ4, VN27, VNG1 VPE5, VPX2, VPX4, VSB9, VSD7, VSD9, VWC9, VWT4, VXB7, VXB9, VXE7 VXE9, VXQ4, VZX7, VZXZ
12	18434-Z5T-000	COVER COMP., RR. MUFFLER.....	(1)	(1)	(1)	(1)	(1)	-----	LKE, LXE4, LXE5, LXQ4, QC5, QC6, QE, QHB4, QK4, QKA4, QME0, QME2 QWA4, QWC4, QXAC, QXB7, QXB9, QXE4, QXE7, QXE9, QXH9, QXQ4, QZX9 SCK4, SCMV, SDQ5, SHQ2, SHQ4, SHQ5, SHQ6, SMC1, SMC2, SME0, SME6 SMES, STC4, SWA2, SWA4, SXB7, SXB9, SXE4, SXEM, SXQ4, VN27, VNG1 VPE5, VPX2, VPX4, VSB9, VSD7, VSD9, VWC9, VWT4, VXB7, VXB9, VXE7 VXE9, VXQ4, VZX7, VZXZ
13	18436-ZH8-W41	BASE COMP., MUFFLER COVER....	(1)	(1)	(1)	(1)	(1)	-----	LKE, LXE4, LXE5, LXQ4, QC5, QC6, QE, QHB4, QK4, QKA4, QME0, QME2 QWA4, QWC4, QXAC, QXB7, QXB9, QXE4, QXE7, QXE9, QXH9, QXQ4, QZX9 SCK4, SCMV, SDQ5, SHQ2, SHQ4, SHQ5, SHQ6, SMC1, SMC2, SME0, SME6 SMES, STC4, SWA2, SWA4, SXB7, SXB9, SXE4, SXEM, SXQ4, VN27, VNG1 VPE5, VPX2, VPX4, VSB9, VSD7, VSD9, VWC9, VWT4, VXB7, VXB9, VXE7 VXE9, VXQ4, VZX7, VZXZ



E-16

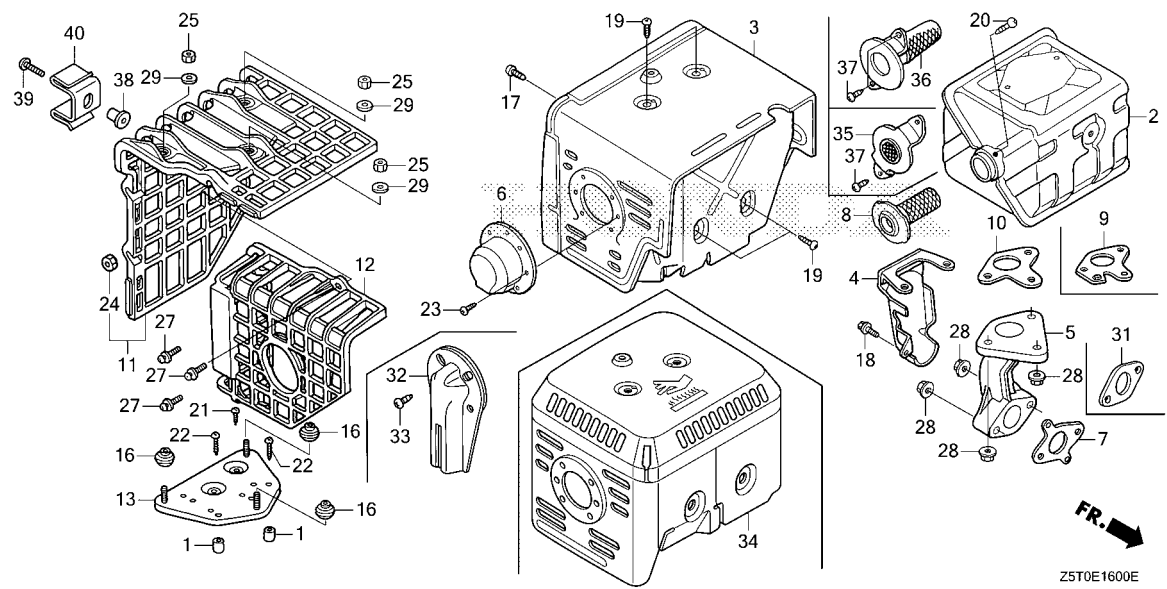
MUFFLER(1)

Ref. No.	Part No.	Description	Reqd. QTY					Serial No.	Parts catalogue code
			GX 390 UT1	GX 390 UT2	GX 390 RT1	GX 390 RT2	GX 390 UT2X		
16	18466-ZH8-W40	SPACER, MUFFLER COVER	(3)	(3)	(3)	(3)	(3)	-----	LKE, LXE4, LXE5, LXQ4, QC5, QC6, QE, QHB4, QK4, QKA4, QME0, QME2, QWA4, QWC4, QXAC, QXB7, QXB9, QXE4, QXE7, QXE9, QXH9, QXQ4, QZX9, SCK4, SCMV, SDQ5, SHQ2, SHQ4, SHQ5, SHQ6, SMC1, SMC2, SME0, SME6, SMES, STC4, SWA2, SWA4, SXB7, SXB9, SXE4, SXEM, SXQ4, VN27, VNG1, VPE5, VPX2, VPX4, VSB9, VSD7, VSD9, VWC9, VWT4, VXB7, VXB9, VXE7, VXE9, VXQ4, VZX7, VZXZ
17	90006-ZE2-000	SCREW, TAPPING, 6X10	1	1	1	1	1	-----	HA2, LKE, LX2, LXE4, LXE5, LXE8, LXQ4, LXU, PA2, PAE2, PKT, PXD8, PXE8, PXM8, PXU, QA2, QA26, QA4, QAA2, QAA6, QAE2, QAE4, QAE6, QAGN, QAW, QC2, QC3, QC5, QC6, QC9, QCDW, QCE2, QCWT, QDW9, QE, QHB4, QK4, QKA4, QMAH, QME0, QME2, QNB2, QNE2, QNE6, QNE8, QNGN, QNR2, QNR6, QNRV, QTT, QWA2, QWA4, QWC, QWC4, QWT2, QXB7, QXB9, QXC6, QXC9, QXCU, QXE4, QXE6, QXE7, QXE8, QXE9, QXEM, QXER, QXH9, QXQ4, QXU, QXUM, QXUZ, QZA2, QZAV, QZC, QZD, QZDS, QZHW, QZME, QZN2, QZND, QZNH, QZNR, QZRL, QZRV, QZX9, QZXR, SCC, SCK4, SCM, SCM1, SCM2, SCM3, SCMV, SE1C, SE2C, SHQ2, SHQ4, SHQ5, SHQ6, SM32, SMC1, SMC2, SME0, SME6, SMSC, SMX2, SMXC, STC4, SWA2, SWA4, SXB7, SXB9, SXBG, SXE4, SXE8, SXEM, SXQ4, SXU, SZEC, VA2, VAC2, VAG2, VCN2, VD2, VDE2, VK2, VKB2, VM2, VN27, VNG1, VSB9, VSD7, VSD9, VWC9, VX8, VXB7, VXB9, VXE2, VXE6, VXE7, VXE8, VXE9, VXQ4, VZS9, VZX7, VZX8
18	90013-883-000	BOLT, FLANGE, 6X12(CT200)	1	1	1	1	1	-----	HA2, PAE2, QA2, QA26, QA4, QAA2, QAA6, QAE2, QAE4, QAE6, QAGN, QAW, QNB2, QNE2, QNE6, QNE8, QNGN, QNR2, QNR6, QNRV, QTT, QWA2, QZAV, QZAV, QZC, QZME, QZN2, QZND, QZNH, QZNR, QZRV, SCM, SCM3, SMX2, SMXC, SWA2, SWA4, SZEC, VA2, VAC2, VAG2, VD2, VDE2, VM2
19	90050-ZE1-000	SCREW, TAPPING, 5X8	4	4	4	4	4	-----	HA2, LKE, LX2, LXE4, LXE5, LXE8, LXQ4, LXU, PA2, PAE2, PKT, PXD8, PXE8, PXM8, PXU, QA2, QA26, QA4, QAA2, QAA6, QAE2, QAE4, QAE6, QAGN, QAW, QC2, QC3, QC5, QC6, QC9, QCDW, QCE2, QCWT, QDW9, QE, QHB4, QK4, QKA4, QMAH, QME0, QME2, QNB2, QNE2, QNE6, QNE8, QNGN, QNR2, QNR6, QNRV, QTT, QWA2, QWA4, QWC, QWC4, QWT2, QXB7, QXB9, QXC6, QXC9, QXCU, QXE4, QXE6, QXE7, QXE8, QXE9, QXEM, QXER, QXH9, QXQ4, QXU, QXUM, QXUZ, QZA2, QZAV, QZC, QZD, QZDS, QZHW, QZME, QZN2, QZND, QZNH, QZNR, QZRL, QZRV, QZX9, QZXR, SCC, SCK4, SCM, SCM1, SCM2, SCM3, SCMV, SE1C, SE2C, SHQ2, SHQ4, SHQ5, SHQ6, SM32, SMC1, SMC2, SME0, SME6, SMSC, SMX2, SMXC, STC4, SWA2, SWA4, SXB7, SXB9, SXBG, SXE4, SXE8, SXEM, SXQ4, SXU, SZEC, VA2, VAC2, VAG2, VCN2, VD2, VDE2, VK2, VKB2, VM2, VN27, VNG1, VSB9, VSD7, VSD9, VWC9, VX8, VXB7, VXB9, VXE2, VXE6, VXE7, VXE8, VXE9, VXQ4, VZS9, VZX7, VZX8
20	90055-ZE1-000	SCREW, TAPPING, 4X6	(1)	-	(1)	-	-	-----	LKE, LX2, LXE4, LXE8, LXQ4, LXU, PA2, PAE2, PKT, PXD8, PXE8, PXM8, PXU, QA2, QA26, QA4, QAA2, QAA6, QAE2, QAE4, QAE6, QAGN, QAW, QC2, QC3, QC5, QC6, QC9, QCDW, QCE2, QCWT, QDW9, QE, QHB4, QK4, QKA4, QMAH, QME0, QME2, QNE2, QNE6, QNE8, QNR2, QNR6, QTT, QWT2, QXC6, QXC9, QXCU, QXE4, QXE6, QXE8, QXER, QXQ4, QXU, SHQ2, SHQ4, SM32, SMC2, SME0, SME6, SWA2, SXE4, SXE8, SXQ4, SXU, VKX4, VPX2, VX8, VXE2, VXE6, VXE8, VXE9, VXQ4, VZS9, VZX7, VZX8
	90050-ZE1-000	SCREW, TAPPING, 5X8	(1)	-	(1)	-	-	-----	QXUZ, VC2, VC2N, VWC, VWE, VWT4
			1	-	-	-	-	-----	HA2, PAE2, PXD8, QA2, QA26, QA4, QAE2, QAE4, QAE6, QAW, QC2, QDW9, QE, QHB4, QK4, QKA4, QWA4, QWC4, QXB7, QXB9, QXE7, QXE9, QXH9, SCK4, SMC1, SMC2, STC4, SWA2, SWA4, SXB7, SXB9, VA2, VM2, VN27, VNG1, VPX2, VSD7, VSD9, VXB7, VXB9, VXE7, VXE9
			-	(1)	-	-	-	-----	QWA4, QWC4, QZX9, VSD7
			-	-	1	-	-	-----	QNB2, QWA2, VAC2, VAG2, VCN2, VD2, VDE2, VK2, VKB2, VNG1, VPE5, VPE9, VPX4, VPX9, VWC9
			-	-	-	1	-	-----	VPE5, VPE9, VPP9, VPX4, VPX9, VZP9, VZXZ
			-	-	-	(1)	-	-----	VPE5, VPX4
21	90050-ZE1-000	SCREW, TAPPING, 5X8	(1)	(1)	(1)	(1)	(1)	-----	LKE, LXE4, LXE5, LXQ4, QC5, QC6, QE, QHB4, QK4, QKA4, QME0, QME2, QWA4, QWC4, QXAC, QXB7, QXB9, QXE4, QXE7, QXE9, QXH9, QXQ4, QZX9, SCK4, SCMV, SDQ5, SHQ2, SHQ4, SHQ5, SHQ6, SMC1, SMC2, SME0, SME6, SMES, STC4, SWA2, SWA4, SXB7, SXB9, SXE4, SXEM, SXQ4, VN27, VNG1, VPE5, VPX2, VPX4, VSB9, VSD7, VSD9, VWC9, VWT4, VXB7, VXB9, VXE7, VXE9, VXQ4, VZX7, VZXZ



E-16

MUFFLER(1)



Ref. No.	Part No.	Description	Reqd. QTY					Serial No.	Parts catalogue code
			GX 390 UT1	GX 390 UT2	GX 390 RT1	GX 390 RT2	GX 390 UT2X		
22	90050-ZH8-W40	SCREW, TAPPING, 5X25	(2)	(2)	(2)	(2)	(2)	LKE, LXE4, LXE5, LXQ4, QC5, QC6, QE, QHB4, QK4, QKA4, QME0, QME2, QWA4, QWC4, QXAC, QXB7, QXB9, QXE4, QXE7, QXE9, QXH9, QXQ4, QZX9, SCK4, SCMV, SDQ5, SHQ2, SHQ4, SHQ5, SHQ6, SMC1, SMC2, SME0, SME6, SMES, STC4, SWA2, SWA4, SXB7, SXB9, SXE4, SXEM, SXQ4, VN27, VNG1, VPE5, VPX2, VPX4, VSB9, VSD7, VSD9, VWC9, VWT4, VXB7, VXB9, VXE7, VXE9, VXQ4, VZX7, VZXZ	
23	90055-ZE1-000	SCREW, TAPPING, 4X6	3	3	3	3	3	HA2, PAE2, PXD8, QA2, QA26, QA4, QAE2, QAE4, QAE6, QAGN, QAW, QC5, QC6, QCWT, QE, QHB4, QK4, QKA4, QMAH, QNB2, QNE2, QNE6, QNE8, QNGN, QNR2, QNR6, QNRV, QWA4, QWC, QWC4, QWT2, QXER, QXUZ, QZA2, QZAV, QZC, QZHW, QZN2, QZND, QZNH, QZNR, QZRL, QZXR, SCC, SCM, SCM1, SCM2, SCM3, SCMV, SE1C, SE2C, SM32, SMC1, SMC2, SMSC, SMX2, SMXC, SXBG, SXEM, SZEC, VA2, VD2, VK2, VKB2, VM2	
24	90301-782-000	NUT, U, 6MM	(3)	(3)	(3)	(3)	(3)	LKE, LXE4, LXE5, LXQ4, QC5, QC6, QE, QHB4, QK4, QKA4, QME0, QME2, QWA4, QWC4, QXAC, QXB7, QXB9, QXE4, QXE7, QXE9, QXH9, QXQ4, QZX9, SCK4, SCMV, SDQ5, SHQ2, SHQ4, SHQ5, SHQ6, SMC1, SMC2, SME0, SME6, SMES, STC4, SWA2, SWA4, SXB7, SXB9, SXE4, SXEM, SXQ4, VN27, VNG1, VPE5, VPX2, VPX4, VSB9, VSD7, VSD9, VWC9, VWT4, VXB7, VXB9, VXE7, VXE9, VXQ4, VZX7, VZXZ	
25	90302-KF9-900	NUT, HEX., 5MM	(3)	(3)	(3)	(3)	(3)	LKE, LXE4, LXE5, LXQ4, QC5, QC6, QE, QHB4, QK4, QKA4, QME0, QME2, QWA4, QWC4, QXAC, QXB7, QXB9, QXE4, QXE7, QXE9, QXH9, QXQ4, QZX9, SCK4, SCMV, SDQ5, SHQ2, SHQ4, SHQ5, SHQ6, SMC1, SMC2, SME0, SME6, SMES, STC4, SWA2, SWA4, SXB7, SXB9, SXE4, SXEM, SXQ4, VN27, VNG1, VPE5, VPX2, VPX4, VSB9, VSD7, VSD9, VWC9, VWT4, VXB7, VXB9, VXE7, VXE9, VXQ4, VZX7, VZXZ	



E-16

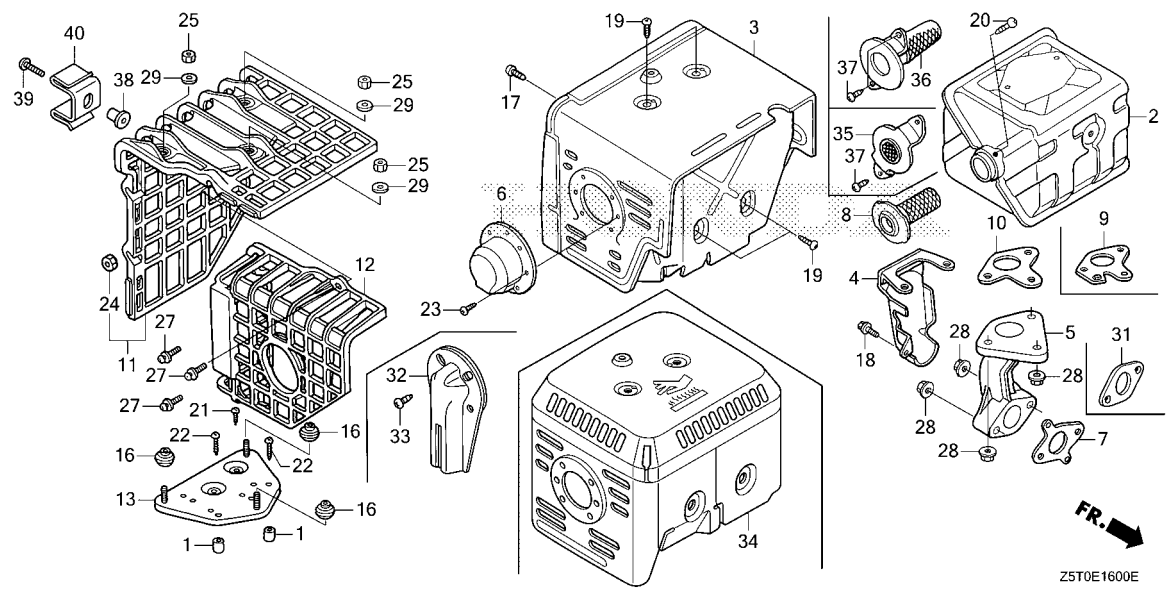
MUFFLER(1)

Ref. No.	Part No.	Description	Reqd. QTY					Serial No.	Parts catalogue code
			GX 390 UT1	GX 390 UT2	GX 390 RT1	GX 390 RT2	GX 390 UT2X		
27	93891-06020-07	SCREW-WASHER, 6X20.....	(3)	(3)	(3)	(3)	(3)	LKE, LXE4, LXE5, LXQ4, QC5, QC6, QE, QHB4, QK4, QKA4, QME0, QME2, QWA4, QWC4, QXAC, QXB7, QXB9, QXE4, QXE7, QXE9, QXH9, QXQ4, QZX9, SCK4, SCMV, SDQ5, SHQ2, SHQ4, SHQ5, SHQ6, SMC1, SMC2, SME0, SME6, SMES, STC4, SWA2, SWA4, SXB7, SXB9, SXE4, SXEM, SXQ4, VN27, VNG1, VPE5, VPX2, VPX4, VSB9, VSD7, VSD9, VWC9, VWT4, VXB7, VXB9, VXE7, VXE9, VXQ4, VZX7, VZXZ	
28	94050-08000	NUT, FLANGE, 8MM.....	5	5	5	5	5	HA2, LKE, LX2, LXE4, LXE5, LXE8, LXQ4, LXU, PA2, PAE2, PKT, PXD8, PXE8, PXM8, PXU, QA2, QA26, QA4, QAA2, QAA6, QAE2, QAE4, QAE6, QAGN, QAW, QC2, QC3, QC5, QC6, QC9, QCDW, QCE2, QCWT, QDW9, QE, QHB4, QK4, QKA4, QMAH, QME0, QME2, QNB2, QNE2, QNE6, QNE8, QNGN, QNR2, QNR6, QNRV, QTT, QWA2, QWA4, QWC, QWC4, QWT2, QXB7, QXB9, QXC6, QXC9, QXCU, QXE4, QXE6, QXE7, QXE8, QXE9, QXEM, QXER, QXH9, QXQ4, QXU, QXUM, QXUZ, QZA2, QZAV, QZC, QZD, QZDS, QZHW, QZME, QZN2, QZND, QZNH, QZNR, QZRL, QZRV, QZX9, QZXR, SCC, SCK4, SCM, SCM1, SCM2, SCM3, SCMV, SE1C, SE2C, SHQ2, SHQ4, SHQ5, SHQ6, SM32, SMC1, SMC2, SME0, SME6, SMSC, SMX2, SMXC, STC4, SWA2, SWA4, SXB7, SXB9, SXBG, SXE4, SXE8, SXEM, SXQ4, SXU, SZEC, VA2, VAC2, VAG2, VCN2, VD2, VDE2, VK2, VKB2, VM2, VN27, VNG1, VSB9, VSD7, VSD9, VWC9, VX8, VXB7, VXB9, VXE2, VXE6, VXE7, VXE8, VXE9, VXQ4, VZS9, VZX7, VZX8	
29	94103-05700	WASHER, PLAIN, 5MM.....	(3)	(3)	(3)	(3)	(3)	LKE, LXE4, LXE5, LXQ4, QC5, QC6, QE, QHB4, QK4, QKA4, QME0, QME2, QWA4, QWC4, QXAC, QXB7, QXB9, QXE4, QXE7, QXE9, QXH9, QXQ4, QZX9, SCK4, SCMV, SDQ5, SHQ2, SHQ4, SHQ5, SHQ6, SMC1, SMC2, SME0, SME6, SMES, STC4, SWA2, SWA4, SXB7, SXB9, SXE4, SXEM, SXQ4, VN27, VNG1, VPE5, VPX2, VPX4, VSB9, VSD7, VSD9, VWC9, VWT4, VXB7, VXB9, VXE7, VXE9, VXQ4, VZX7, VZXZ	
31	18333-ZE3-800	GASKET, EX. PIPE.....	1	-	1	-	-	VPX4	
	18333-ZE3-801	1	-	-	-	-	VPX2	
	18333-ZK6-Y00	-	(1)	-	(1)	(1)	LX2, QNGN, QNR2, QNR6, QNRV, VDE2, VM2	
	18333-Z1C-801	-	-	1	1	-	VWT4	
	18333-ZE3-801	-	-	-	1	-	VPX4	
32	18430-ZF6-W50	DEFLECTOR COMP., MUFFLER.....	(1)	(1)	-	-	(1)	QE, QHB4, SMC1, SMC2	
33	90055-ZE1-000	SCREW, TAPPING, 4X6.....	(2)	(2)	-	-	(2)	QE, QHB4, SMC1, SMC2	
34	18320-Z5T-000	PROTECTOR COMP., MUFFLER.....	-	1	-	1	1	HA2, LKE, LX2, LXE4, LXE5, LXE8, LXQ4, LXU, PA2, PAE2, PKT, PXD8, PXE8, PXM8, PXU, QA2, QA26, QA4, QAA2, QAA6, QAE2, QAE4, QAE6, QAGN, QC2, QC3, QC5, QC6, QC9, QCDW, QCE2, QCWT, QDW9, QE, QHB4, QK4, QKA4, QMAH, QME0, QNB2, QNE2, QNE8, QNGN, QNR2, QNR6, QNRV, QTT, QWA2, QWA4, QWC, QWC4, QWT2, QXC6, QXC9, QXCU, QXE4, QXE6, QXE8, QXEM, QXER, QXQ4, QXU, QXUM, QXUZ, QZA2, QZAV, QZC, QZD, QZDS, QZME, QZN2, QZND, QZNH, QZNR, QZRV, QZXR, SCC, SCM, SCM1, SCM2, SCM3, SCMV, SE1C, SE2C, SHQ4, SHQ5, SHQ6, SM32, SMC1, SME0, SME6, SMSC, SMX2, SMXC, STC4, SWA4, SXBG, SXE4, SXE8, SXEM, SXQ4, SXU, SZEC, VA2, VAG2, VDE2, VK2, VKB2, VM2, VX8, VXE2, VXE8, VXQ4, VZX8	
	18320-Z5T-800	PROTECTOR COMP., MUFFLER (100DB)	-	1	-	1	-	QXB7, QXB9, QXE7, QZHW, QZRL, QZX9, SCK4, SXB7, VN27, VSB9, VSD7, VSD9, VWC9, VXB7, VXB9, VXE7, VXE9, VZS9, VZX7	
	18320-Z5T-000	PROTECTOR COMP., MUFFLER.....	-	1	-	-	-	1343356 QXE9	
	18320-Z5T-800	PROTECTOR COMP., MUFFLER (100DB)	-	1	-	-	-	1343357 QXE9	
			-	-	-	-	1	QXB7, QXB9, QXE7, QXE9, QZHW, QZRL, SCK4, SXB7, VN27, VSB9, VSD9, VXB7, VXB9, VXE7, VXE9, VZX7	
35	18336-ZE3-000	FLANGE COMP., BAFFLE.....	-	1	-	1	1	LKE, LX2, LXE4, LXE8, LXQ4, LXU, PA2, PKT, PXE8, PXM8, PXU, QAA2, QAA6, QC3, QC9, QCWT, QMAH, QME0, QNE2, QNE8, QNGN, QNR2, QNR6, QTT, QWT2, QXC6, QXC9, QXCU, QXE4, QXE6, QXE8, QXEM, QXER, QXQ4, QXU, QXUM, QXUZ, QZD, QZDS, QZN2, QZND, QZNH, QZNR, QZRV, QZXR, SCC, SCM1, SCM2, SCMV, SHQ4, SHQ5, SHQ6, SM32, SME0, SME6, SMSC, SXBG, SXE4, SXE8, SXEM, SXQ4, SXU, SZEC, VX8, VXE2, VXE8, VXQ4, VZX8	



E-16

MUFFLER(1)



Ref. No.	Part No.	Description	Reqd. QTY					Serial No.	Parts catalogue code
			GX 390	GX 390	GX 390	GX 390	GX 390		
36	18350-Z5T-800	ARRESTER COMP., SPARK	(1)	-	-	-	-	-	VC2N
			-	(1)	(1)	-	-	-	LFU, LKE, LX2, LXE4, LXE8, LXQ4, LXU, PA2, PKT, PXE8, PXU, QAA2, QAA6, QC2, QC3, QC9, QCWT, QDW9, QMAH, QME0, QNE2, QNE8, QNR2, QNR6, QWC, QWC4, QWT2, QXAC, QXC6, QXC9, QXCU, QXE4, QXE6, QXE8, QXEM, QXER, QXQ4, QXU, QXUM, QXUZ, QZD, QZDS, QZN2, QZND, QZNH, QZNR, QZRV, QZX9, QZXR, SCC, SCM1, SCM2, SHQ4, SHQ5, SHQ6, SM32, SME0, SME6, SMSC, SMXC, SXBG, SXE4, SXE8, SXEM, SXQ4, SXU, SZEC, VC2, VSB9, VSD4, VWC, VWE, VWT4, VX8, VXE2, VXE8, VXG, VXQ4, VZX8
			-	1	-	1	1	-	HA2, LXE5, PAE2, PXD8, QA2, QA26, QA4, QAE2, QAE4, QAE6, QAGN, QC2, QC5, QC6, QCDW, QCE2, QDW9, QE, QHB4, QK4, QKA4, QNB2, QNRV, QWA2, QWA4, QWC, QWC4, QXB7, QXB9, QXE7, QXE9, QZA2, QZAV, QZC, QZHW, QZME, QZRL, QZX9, SCK4, SCM, SCM3, SE1C, SE2C, SMC1, SMX2, SMXC, STC4, SWA4, SXB7, VA2, VAG2, VDE2, VK2, VKB2, VM2, VN27, VPX4, VSB9, VSD7, VSD9, VWC9, VXB7, VXB9, VXE7, VXE9, VZS9, VZX7
			-	(1)	-	(1)	-	2999999	QZA2, QZAV, SMX2, VEP9
			-	-	-	(1)	-	-	PXM8, QNGN, QTT, QWA2, SDQ5, SMES, VPX4, VZXZ
			-	-	-	(1)	-	-	HA2, LFU, LKE, LX2, LXE4, LXE8, LXQ4, LXU, PA2, PAE2, PKT, PXE8, PXU, QA2, QAA2, QAE2, QC3, QC9, QCDW, QCWT, QMAH, QME0, QNE2, QNR2, QXAC, QXE4, QXE6, QXE8, QXEM, QXER, QXQ4, QXU, QXUM, QXUZ, QZD, QZN2, QZNR, QZXR, SCC, SCM1, SCMV, SHQ4, SHQ5, SHQ6, SM32, SME0, SME6, SXBG, SXE4, SXEM, SXQ4, VX8, VXE2, VXE8, VZX8



E-16

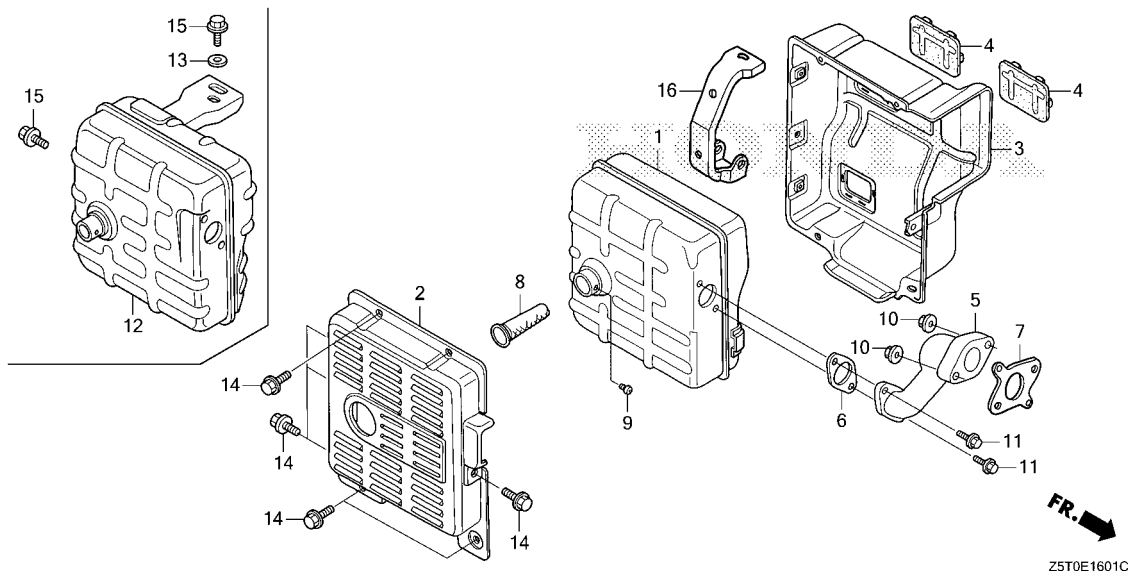
MUFFLER(1)

Ref. No.	Part No.	Description	Reqd. QTY					Serial No.	Parts catalogue code
			GX 390 UT1	GX 390 UT2	GX 390 RT1	GX 390 RT2	GX 390 UT2X		
37	90050-ZE1-000	SCREW, TAPPING, 5X8.....	-	2	-	2	2	-----	HA2, LKE, LX2, LXE4, LXE5, LXE8, LXQ4, LXU, PA2, PAE2, PKT, PXD8, PXE8, PXM8, PXU, QA2, QA26, QA4, QAA2, QAA6, QAE2, QAE4, QAE6, QAGN, QC2, QC3, QC5, QC6, QC9, QCDW, QCE2, QCWT, QDW9, QE, QHB4, QK4, QKA4, QMAH, QME0, QNB2, QNE2, QNE8, QNGN, QNR2, QNR6, QNRV, QTT, QWA2, QWA4, QWC, QWC4, QWT2, QXB7, QXB9, QXC6, QXC9, QXCU, QXE4, QXE6, QXE7, QXE8, QXE9, QXEM, QXER, QXQ4, QXU, QXUM, QXUZ, QZA2, QZAV, QZC, QZD, QZDS, QZHW, QZME, QZN2, QZND, QZNH, QZNR, QZRL, QZRV, QZX9, QZXR, SCC, SCK4, SCM, SCM1, SCM2, SCM3, SCMV, SE1C, SE2C, SHQ4, SHQ5, SHQ6, SM32, SMC1, SME0, SME6, SMC, SMX2, SMXC, STC4, SWA4, SXB7, SXBG, SXE4, SXE8, SXEM, SXQ4, SXU, SZEC, VA2, VAG2, VDE2, VK2, VKB2, VM2, VN27, VPX4, VSB9, VSD7, VSD9, VWC9, VX8, VXB7, VXB9, VXE2, VXE7, VXE8, VXE9, VXQ4, VZS9, VZX7, VZX8
			-	(2)	-	(2)	-	-----	LFU, QXAC, SDQ5, SMES, VZXZ
			-	-	-	-	(2)	-----	HA2, LFU, PAE2, QA2, QAA2, QAE2, QC9, QCDW, QNE2, QNR2, QXAC, QXE4, QXQ4, QXUZ, QZN2, SXQ4
38	19619-ZL8-300	COLLAR, FAN COVER.....	(1)	-	(1)	(1)	-	-----	LKE, LXE4, LXQ4, QE, QHB4, QK4, QKA4, QME0, QME2, QWA4, QWC4, QXB7, QXB9, QXE4, QXE7, QXE9, QXH9, QXQ4, SCK4, SDQ5, SHQ2, SHQ4, SMC1, SMC2, SME0, SME6, SMES, STC4, SWA2, SWA4, SXB7, SXB9, SXE4, SXQ4, VPE5, VPX2, VPX4, VSD7, VSD9, VWC9, VWT4, VXB7, VXB9, VXE7, VXE9, VXQ4, VZXZ
			-	(1)	-	-	(1)	-----	LKE, LXE4, LXE5, LXQ4, QC5, QC6, QE, QHB4, QK4, QKA4, QME0, QWA4, QWC4, QXAC, QXB7, QXB9, QXE4, QXE7, QXE9, QXQ4, QZX9, SCK4, SCMV, SHQ4, SHQ5, SHQ6, SMC1, SME0, SME6, STC4, SWA4, SXB7, SXE4, SXEM, SXQ4, VN27, VSB9, VSD7, VSD9, VXB7, VXB9, VXE7, VXE9, VXQ4, VZX7
39	90006-Z5T-000	SCREW, TAPPING, 6X25.....	(1)	-	(1)	(1)	-	-----	LKE, LXE4, LXQ4, QE, QHB4, QK4, QKA4, QME0, QME2, QWA4, QWC4, QXB7, QXB9, QXE4, QXE7, QXE9, QXH9, QXQ4, SCK4, SDQ5, SHQ2, SHQ4, SMC1, SMC2, SME0, SME6, SMES, STC4, SWA2, SWA4, SXB7, SXB9, SXE4, SXQ4, VPE5, VPX2, VPX4, VSD7, VSD9, VWC9, VWT4, VXB7, VXB9, VXE7, VXE9, VXQ4, VZXZ
			-	(1)	-	-	(1)	-----	LKE, LXE4, LXE5, LXQ4, QC5, QC6, QE, QHB4, QK4, QKA4, QME0, QWA4, QWC4, QXAC, QXB7, QXB9, QXE4, QXE7, QXE9, QXQ4, QZX9, SCK4, SCMV, SHQ4, SHQ5, SHQ6, SMC1, SME0, SME6, STC4, SWA4, SXB7, SXE4, SXEM, SXQ4, VN27, VSB9, VSD7, VSD9, VXB7, VXB9, VXE7, VXE9, VXQ4, VZX7
40	18437-Z5T-000	STAY, MUFFLER COVER.....	(1)	-	(1)	(1)	-	-----	LKE, LXE4, LXQ4, QE, QHB4, QK4, QKA4, QME0, QME2, QWA4, QWC4, QXB7, QXB9, QXE4, QXE7, QXE9, QXH9, QXQ4, SCK4, SDQ5, SHQ2, SHQ4, SMC1, SMC2, SME0, SME6, SMES, STC4, SWA2, SWA4, SXB7, SXB9, SXE4, SXQ4, VPE5, VPX2, VPX4, VSD7, VSD9, VWC9, VWT4, VXB7, VXB9, VXE7, VXE9, VXQ4, VZXZ
			-	(1)	-	-	(1)	-----	LKE, LXE4, LXE5, LXQ4, QC5, QC6, QE, QHB4, QK4, QKA4, QME0, QWA4, QWC4, QXAC, QXB7, QXB9, QXE4, QXE7, QXE9, QXQ4, QZX9, SCK4, SCMV, SHQ4, SHQ5, SHQ6, SMC1, SME0, SME6, STC4, SWA4, SXB7, SXE4, SXEM, SXQ4, VN27, VSB9, VSD7, VSD9, VXB7, VXB9, VXE7, VXE9, VXQ4, VZX7



E-16-1

MUFFLER(2)



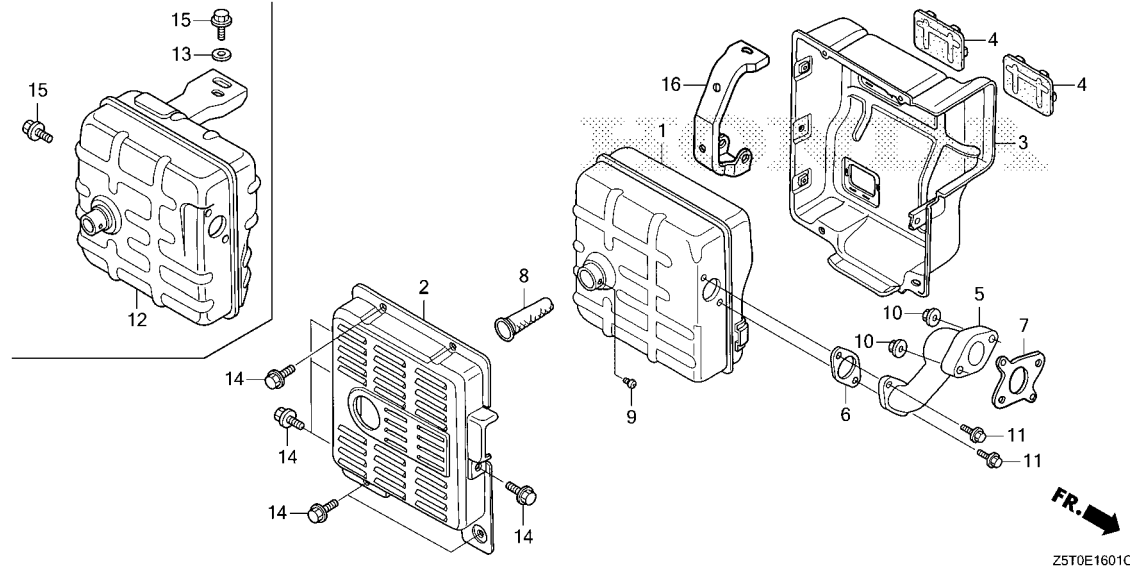
Ref. No. L.O.N. (Relative ref. Number) Description F.R.T.



Ref. No.	Part No.	Description	Reqd. QTY					Serial No.	Parts catalogue code
			GX 390 UT1	GX 390 UT2	GX 390 RT1	GX 390 RT2	GX 390 UT2X		
1	18310-ZE2-V61	MUFFLER COMP.(TSURUMI)	1	-	-	-	-	VKX4	
	18310-Z8W-V60	-	-	1	-	1751152	VKE4, VKX4	
	18310-Z8W-V62	-	-	-	1	1751153	VKE4, VKX4	
	18310-Z8W-V61	-	-	-	1	-	VKE4, VKER, VKX4, VKXR, VWS1	
	18310-ZE2-V61	-	-	-	1	2437062	VKE4, VKX4	
	18310-Z8W-V62	-	-	-	1	-	ED6, EDD2	
2	18320-ZC2-000	PROTECTOR, MUFFLER OUTER.....	1	-	1	1	-	ED6, EDD2	
3	18325-ZB4-000	PROTECTOR, MUFFLER INNER.....	1	-	1	1	-	ED6, EDD2, EDS6, EDT6, EZD2, EZDM, EZDS, EZDV, VAA1, VAA8, VKE4, VKER, VKX4, VKXR, VWS1	
4	18329-ZB4-000	SEAL, MUFFLER PROTECTOR.....	2	-	2	2	-	ED6, EDD2, EDS6, EDT6, EZD2, EZDM, EZDS, EZDV, VAA1, VAA8, VKE4, VKER, VKX4, VKXR, VWS1	
5	18330-ZE3-700	PIPE, EX.	1	-	1	1	-	ED6, EDD2, EZD2, VAA1, VAA8, VKE4, VKER, VKX4, VKXR, VS49, VSD4, VTH4	
	18330-ZE3-710	-	-	-	1	-	EDS6, EDT6, VWS1	
	18330-ZE3-700	-	-	-	1	1702261	EZDM, EZDS, EZDV	
	18330-ZE3-710	-	-	-	1	1702262	EZDM, EZDS, EZDV	
6	18333-ZB4-800	GASKET, EX. PIPE.....	1	-	1	-	-	VAA1, VAA8, VKE4, VKX4, VS49, VSD4, VTH4	
	18333-ZB4-801	-	-	-	1	-	ED6, EDD2, EDS6, EDT6, EZD2, EZDM, EZDS, EZDV, VAA1, VKE4, VKER, VKX4, VKXR, VSD4, VWS, VWS1	
7	18333-ZF6-W01	GASKET, EX. PIPE.....	1	-	1	-	-	VAA1, VAA8, VKE4, VKX4, VS49, VSD4, VTH4	
	18333-Z1C-901	-	-	-	1	-	EZDM, EZDS, EZDV	
	18333-ZF6-W01	-	-	-	1	-	VWS, VWS1	
	18333-Z1C-901	-	-	-	1	1517807	ED6, EDD2, EDS6, EDT6, EZD2, VAA1, VKE4, VKER, VKX4, VKXR, VSD4	
8	18355-ZB4-630	ARRESTER, SPARK.....	1	-	1	1	-	ED6, EDD2, EDS6, EDT6, EZD2, VAA1, VKE4, VKER, VKX4, VKXR, VSD4	
								EZD2, EZDM, EZDS, EZDV, VAA1, VAA8, VKE4, VKER, VKX4, VKXR, VTH4, VWS1	

E-16-1

MUFFLER(2)



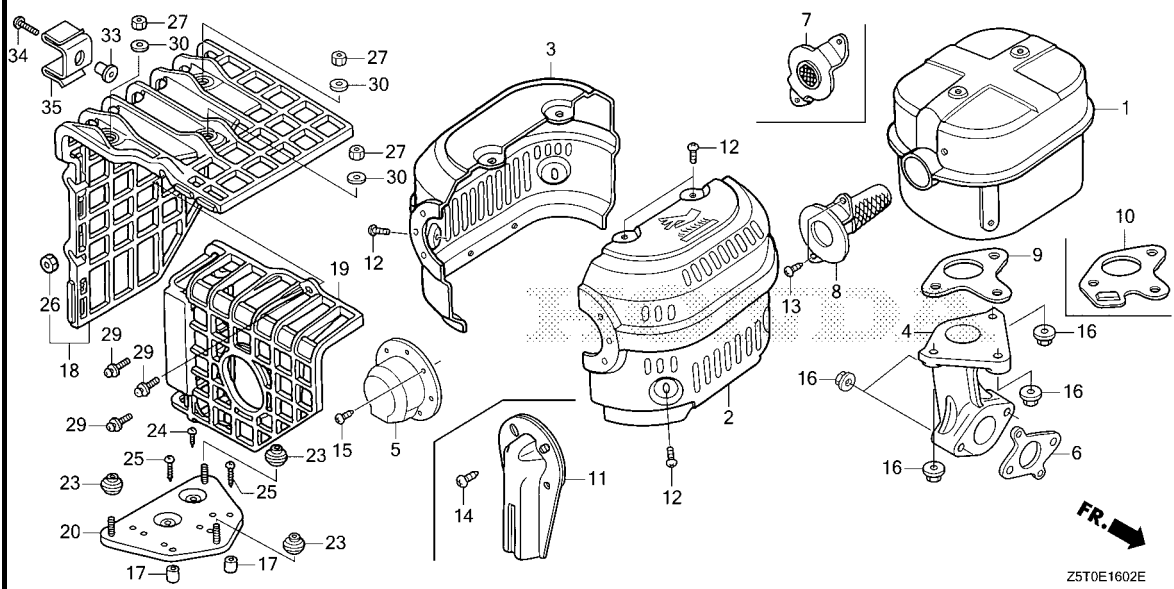
Z5T0E1601C



Ref. No.	Part No.	Description	Reqd. QTY					Serial No.	Parts catalogue code
			GX 390 UT1	GX 390 UT2	GX 390 RT1	GX 390 RT2	GX 390 UT2X		
9	90002-ZE2-U91	SCREW, TAPPING, 4X8	1	-	-	-	-	VKX4	
	90002-Z0T-800		-	-	1	1	-	EZD2, VAA1, VAA8	
	90002-ZE2-U91		-	-	1	-	-	VKE4, VTH4	
	90002-Z0T-800		-	-	1	-	1528193	VKX4	
			-	-	1	-	1528194	VKX4	
			-	-	-	1	-	EZDM, EZDS, EZDV, VKE4, VKER, VKX4, VKXR, VWS1	
	90050-ZE1-000	SCREW, TAPPING, 5X8	-	-	-	1	-	1341338	ED6, EDD2, EDS6, EDT6
	90002-ZE2-U91	SCREW, TAPPING, 4X8	-	-	-	1	-	2999999	VKX4
10	94050-08000	NUT, FLANGE, 8MM	2	-	2	2	-	1341339	ED6, EDD2, EDS6, EDT6
			-	-	-	-	-	-	ED6, EDD2, EDS6, EDT6, EZD2, EZDM, EZDS, EZDV, VAA1, VAA8, VKE4, VKER, VKX4, VKXR, VS49, VSD4, VTH4, VWS1
11	95701-08020-00	BOLT, FLANGE, 8X20	2	-	2	2	-	-	EZD2, VAA1, VAA8, VKE4, VKER, VKX4, VKXR, VS49, VSD4, VTH4, VWS1
			-	-	-	2	-	1701534	EZDM, EZDS, EZDV
12	18310-ZD1-E32	MUFFLER COMP.(SANKEI)	-	-	1	-	-	-	VAA1, VAA8
	18310-Z1C-842	MUFFLER COMP.	-	-	-	1	-	-	EDS6, EDT6, EZDM, EZDS, EZDV
	18310-ZE2-U91	MUFFLER COMP.(DENYO)	-	-	-	1	-	-	EZD2
	18310-Z1C-840	MUFFLER COMP.	-	-	-	1	-	1217561	VAA1
	18310-Z1C-841		-	-	-	1	-	1217562	VAA1
13	94103-08000	WASHER, PLAIN, 8MM	-	-	1	1	-	-	VAA1, VAA8
14	95701-06012-00	BOLT, FLANGE, 6X12	8	-	8	-	-	-	VKE4, VKX4
	95701-06010-00	BOLT, FLANGE, 6X10	-	-	8	8	-	-	EZD2, VAA1, VAA8
15	95701-08016-08	BOLT, FLANGE, 8X16	-	-	2	2	-	-	VAA1, VAA8
16	18338-ZE2-V60	STAY A, MUFFLER(TSURUMI)	-	-	-	1	-	-	ED6, EDD2

E-16-2

MUFFLER(3)

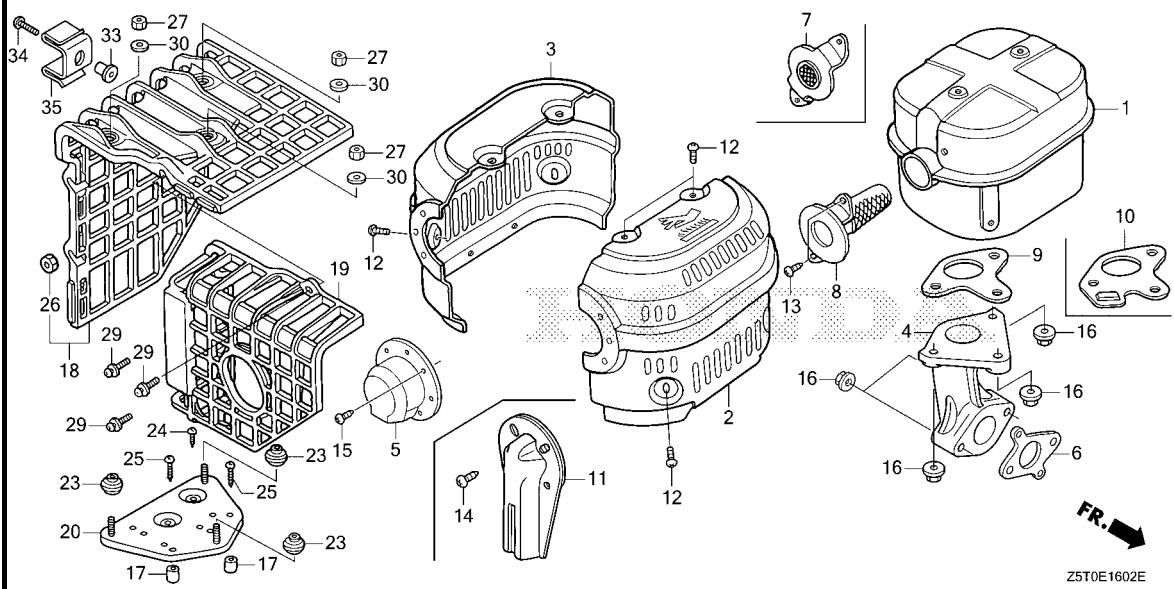


Ref. No. L.O.N. (Relative ref. Number) Description F.R.T.

Ref. No.	Part No.	Description	Reqd. QTY					Serial No.	Parts catalogue code
			GX 390 UT1	GX 390 UT2	GX 390 RT1	GX 390 RT2	GX 390 UT2X		
1	18310-Z8T-000	MUFFLER COMP.	1	-	-	-	-	QXC4, QXS2, QXS4, SMD3, SNC	
	18310-Z8T-010	-	1	-	-	1	QC1, QC4, QXC4, QXS4, SC1, SMD3, SNC	
2	18320-ZE3-H01	PROTECTOR, R. MUFFLER	1	1	-	-	1	QC1, QC4, QXC4, QXS2, QXS4, SC1, SMD3, SNC	
3	18325-ZE3-H00	PROTECTOR, L. MUFFLER	1	1	-	-	1	QC1, QC4, QXC4, QXS2, QXS4, SC1, SMD3, SNC	
4	18330-ZE2-000	PIPE, EX.	1	1	-	-	1	QC1, QC4, QXC4, QXS2, QXS4, SC1, SMD3, SNC	
5	18331-ZE3-811	CAP, MUFFLER	1	1	-	-	1	SC1, SMD3, SNC	
6	18333-ZF6-W01	GASKET, EX. PIPE	1	-	-	-	-	QXC4, QXS2, QXS4, SMD3, SNC	
	18333-Z1C-901	-	1	-	-	-	QC1, QC4, SC1	
	18333-ZF6-W01	-	1	-	-	1517215	QXC4, QXS4, SMD3, SNC	
	18333-Z1C-901	-	1	-	-	1517216	QXC4, QXS4, SMD3, SNC	
		-	-	-	-	1	QC1, SC1, SMD3	
7	18336-ZE3-000	FLANGE COMP., BAFFLE	1	1	-	-	1	QC1, QC4, QXC4, QXS2, QXS4	
8	18355-ZE3-010	ARRESTER, SPARK	(1)	(1)	-	-	(1)	QC1, QC4, QXC4, QXS2, QXS4	
		1	1	-	-	1	SC1, SMD3, SNC	
9	18381-Z1C-801	GASKET, MUFFLER(THAI LEAKLESS)	1	1	-	-	1	QC1, QC4, QXC4, QXS2, QXS4	
10	18381-Z8S-801	GASKET, MUFFLER(ARRESTER)	1	1	-	-	1	SC1, SMD3, SNC	
		(THAI LEAKLESS)	1	1	-	-	1	SC1, SMD3, SNC	
	18381-ZE2-W10	GASKET, MUFFLER(ARRESTER)	(1)	-	-	-	-	QXC4, QXS2, QXS4, SMD3, SNC	
		(NIPPON LEAKLESS)	(1)	-	-	-	-	QXC4, QXS2, QXS4, SMD3, SNC	
11	18430-ZF6-W50	DEFLECTOR COMP., MUFFLER	(1)	(1)	-	-	(1)	SC1, SMD3, SNC	
12	90050-ZE3-H00	SCREW, TAPPING, 5X8	6	6	-	-	6	QC1, QC4, QXC4, QXS2, QXS4	
	90050-ZE1-000	6	6	-	-	6	SC1, SMD3, SNC	
13	90050-ZE1-000	SCREW, TAPPING, 5X8	2	2	-	-	2	QC1, QC4, QXC4, QXS2, QXS4, SC1, SMD3, SNC	
14	90055-ZE1-000	SCREW, TAPPING, 4X6	(2)	(2)	-	-	(2)	SC1, SMD3, SNC	
15	90055-ZE1-000	SCREW, TAPPING, 4X6	3	3	-	-	3	SC1, SMD3, SNC	
16	94050-08000	NUT, FLANGE, 8MM	5	5	-	-	5	QC1, QC4, QXC4, QXS2, QXS4, SC1, SMD3, SNC	

E-16-2

MUFFLER(3)

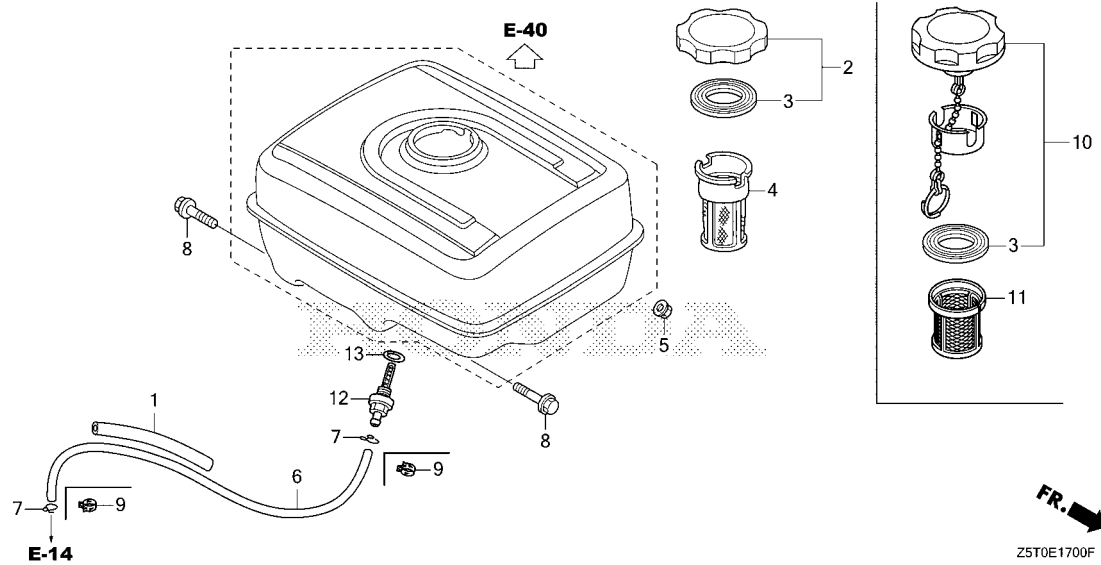


Ref. No.	Part No.	Description	Reqd. QTY					Serial No.	Parts catalogue code
			GX 390 UT1	GX 390 UT2	GX 390 RT1	GX 390 RT2	GX 390 UT2X		
17	17233-896-701	COLLAR, AIR CLEANER CASE.....	(2)	(2)	-	-	(2)	QC1,QXC4,SC1,SMD3,SNC	
18	18433-Z5T-000	COVER COMP., MUFFLER.....	(1)	(1)	-	-	(1)	QC1,QXC4,SC1,SMD3,SNC	
19	18434-Z5T-000	COVER COMP., RR. MUFFLER.....	(1)	(1)	-	-	(1)	QC1,QXC4,SC1,SMD3,SNC	
20	18436-ZH8-W41	BASE COMP., MUFFLER COVER....	(1)	(1)	-	-	(1)	QC1,QXC4,SC1,SMD3,SNC	
23	18466-ZH8-W40	SPACER, MUFFLER COVER.....	(3)	(3)	-	-	(3)	QC1,QXC4,SC1,SMD3,SNC	
24	90050-ZE1-000	SCREW, TAPPING, 5X8.....	(1)	(1)	-	-	(1)	QC1,QXC4,SC1,SMD3,SNC	
25	90050-ZH8-W40	SCREW, TAPPING, 5X25.....	(2)	(2)	-	-	(2)	QC1,QXC4,SC1,SMD3,SNC	
26	90301-782-000	NUT, U, 6MM.....	(3)	(3)	-	-	(3)	QC1,QXC4,SC1,SMD3,SNC	
27	90302-KF9-900	NUT, HEX., 5MM.....	(3)	(3)	-	-	(3)	QC1,QXC4,SC1,SMD3,SNC	
29	93891-06020-07	SCREW-WASHER, 6X20.....	(3)	(3)	-	-	(3)	QC1,QXC4,SC1,SMD3,SNC	
30	94103-05700	WASHER, PLAIN, 5MM.....	(3)	(3)	-	-	(3)	QC1,QXC4,SC1,SMD3,SNC	
33	19619-ZL8-300	COLLAR, FAN COVER.....	(1)	(1)	-	-	(1)	QC1,QXC4,SC1,SMD3,SNC	
34	90006-Z5T-000	SCREW, TAPPING, 6X25.....	(1)	(1)	-	-	(1)	QC1,QXC4,SC1,SMD3,SNC	
35	18437-Z5T-000	STAY, MUFFLER COVER.....	(1)	(1)	-	-	(1)	QC1,QXC4,SC1,SMD3,SNC	



E-17

FUEL TUBE



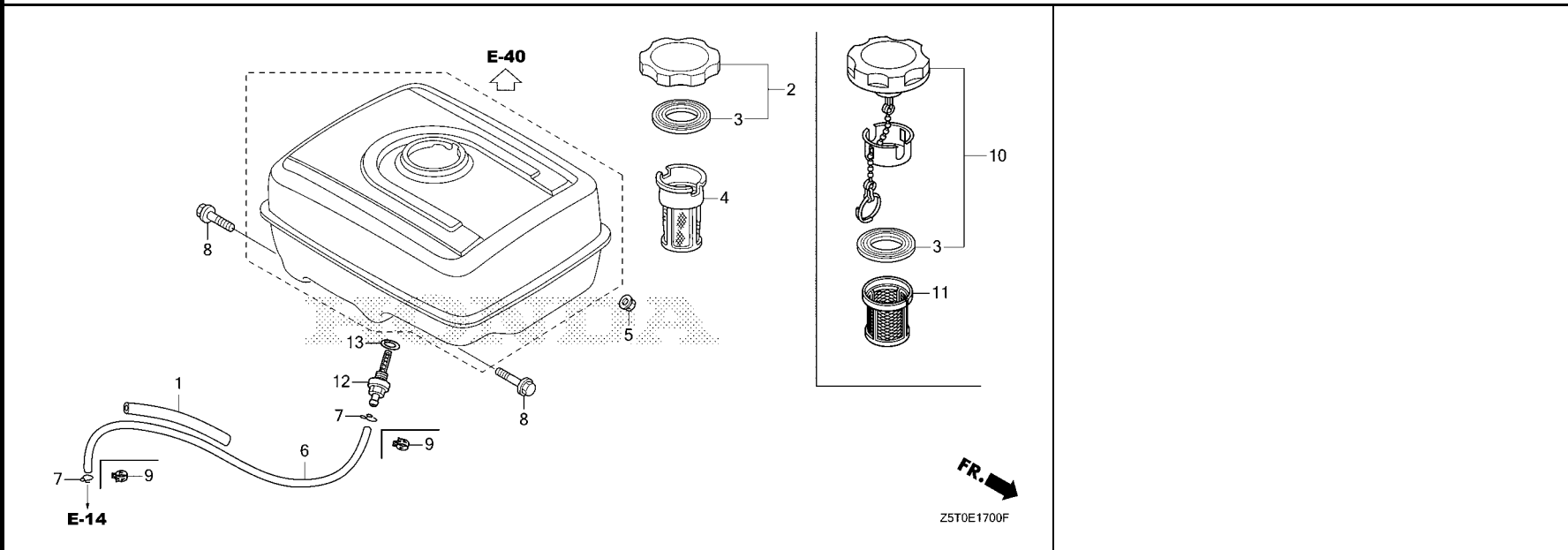
Ref. No. L.O.N. (Relative ref. Number) Description F.R.T.

Ref. No.	Part No.	Description	Reqd. QTY					Serial No.	Parts catalogue code
			GX 390 UT1	GX 390 UT2	GX 390 RT1	GX 390 RT2	GX 390 UT2X		
1	16854-ZH8-000	RUBBER, SUPPORTER(107MM).....	1	-	1	1	-	LXE8, LXU, PXD8, PXE8, PXU, QA2, QA26, QAA2, QAA6, QAW, QDW9, QK4, QNGN, QTT, QWA4, QWT2, QXC9, QXE8, QXER, QXQ4, QXU, QXUZ, SHQ4, SXE8, SXQ4, VX8, VXE8	
2	17620-Z0T-813	CAP COMP., FUEL FILLER (CHROME PLATED)(RADICON)	1	-	-	-	1372503	LXE8, LXU, PXE8, PXU, QA2, QA26, QAA2, QAA6, QAW, QDW9, QK4, QWA4, QWT2, QXC9, QXE8, QXQ4, QXU, SHQ4, SXE8, SXQ4, VX8, VXE8	
3	17631-Z0T-801	PACKING, FUEL FILLER CAP (39X62X3)(RADICON)	1	-	-	-	-	PXD8, QXER, QXUZ	
	17631-Z4H-800	PACKING, FUEL FILLER CAP (39X62X3)	1	-	-	-	1372504	1422261 LXE8, LXU, PXE8, PXU, QA2, QA26, QAA2, QAA6, QAW, QDW9, QK4, QWA4, QWT2, QXC9, QXE8, QXQ4, QXU, SHQ4, SXE8, SXQ4, VX8, VXE8	
	17631-Z0T-801	PACKING, FUEL FILLER CAP (39X62X3)(RADICON)	1	-	-	-	1422262	LXE8, LXU, PXE8, PXU, QA2, QA26, QAA2, QAA6, QAW, QDW9, QK4, QWA4, QWT2, QXC9, QXE8, QXQ4, QXU, SHQ4, SXE8, SXQ4, VX8, VXE8	
4	17672-ZE2-W01	FILTER, FUEL.....	1	-	-	-	1382377	QA2, QA26, QAA2, QAA6, QAW, QK4	
5	94050-08000	NUT, FLANGE, 8MM.....	2	-	-	-	-	LXE8, LXU, PXD8, PXE8, PXU, QA2, QA26, QAA2, QAA6, QAW, QDW9, QK4, QWA4, QWT2, QXC9, QXE8, QXER, QXQ4, QXU, QXUZ, SHQ4, SXE8, SXQ4, VX8, VXE8	
6	91424-Z5R-802	TUBE, FUEL, 4.5X260(FKM).....	1	-	1	-	-	QTT	
	91424-Z5L-802	TUBE, FUEL, 4.5X235(FKM).....	1	-	-	-	-	PXD8, QAW, QDW9, QK4, QWA4, QWT2, QXC9, QXER, QXUZ, SHQ4	
	95001-45235-40	TUBE, FUEL, 4.5X235 (95001-45001-60M)	1	-	-	-	1070261	LXE8, LXU, PXE8, PXU, QA2, QA26, QAA2, QAA6, QXE8, QXQ4, QXU, SXE8, SXQ4, VX8, VXE8	
	91424-Z5L-801	TUBE, FUEL, 4.5X235(FKM).....	1	-	-	-	1070262	LXE8, LXU, PXE8, PXU, QA2, QA26, QAA2, QAA6, QXE8, QXQ4, QXU, SXE8, SXQ4, VX8, VXE8	
	91424-Z5R-802	TUBE, FUEL, 4.5X260(FKM).....	-	-	-	1	-	1549653 QTT	
	91424-Z5T-003	TUBE, FUEL, 4.5X235(FKM).....	-	-	-	1	-	1878314 EZDM, EZDS, EZDV	
			-	-	-	1	-	3325064 QNGN	

2

E-17

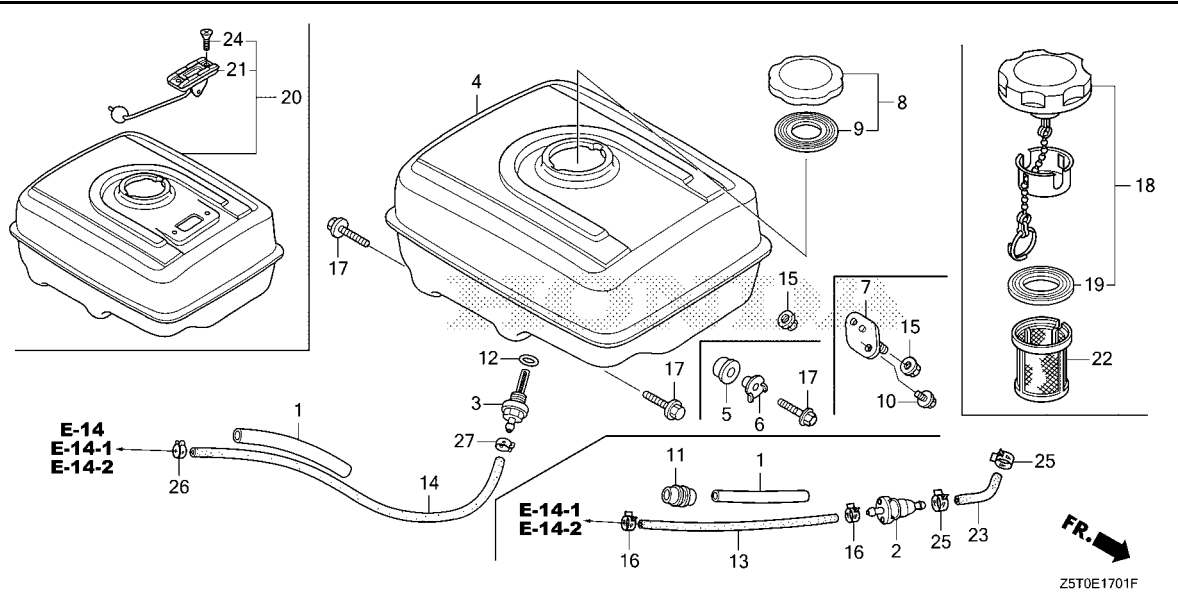
FUEL TUBE



Ref. No.	Part No.	Description	Reqd. QTY					Serial No.	Parts catalogue code
			GX 390 UT1	GX 390 UT2	GX 390 RT1	GX 390 RT2	GX 390 UT2X		
(6)	91424-ZBH-831	TUBE, FUEL, 4.2X260(FKM).....	-	-	-	1	-	1549654	----- QTT
	91424-Z5T-013	TUBE, FUEL, 4.5X235(FKM).....	-	-	-	1	-	3325065	3349841 QNGN
	91424-ZBH-852	TUBE, FUEL, 4.2X235(FKM).....	-	-	-	1	-	3349842	----- QNGN
7	95002-02080	CLIP, TUBE(B8).....	2	-	-	-	-	1070261	LXE8, LXU, PXE8, PXU, QA2, QA26, QAA2, QAA6, QXE8, QXQ4, QXU, SXE8, SXQ4, VX8, VXE8
8	95701-08025-00	BOLT, FLANGE, 8X25.....	2	-	-	-	-	-----	LXE8, LXU, PXD8, PXE8, PXU, QA2, QA26, QAA2, QAA6, QAW, QDW9, QK4, QWA4, QWT2, QXC9, QXE8, QXER, QXQ4, QXU, QXUZ, SHQ4, SXE8, SXQ4, VX8, VXE8
9	95002-40800-08	CLAMP, TUBE(D8).....	2	-	2	1	-	-----	PXD8, QAW, QDW9, QK4, QNGN, QTT, QWA4, QWT2, QXC9, QXER, QXUZ, SHQ4, LXE8, LXU, PXE8, PXU, QA2, QA26, QAA2, QAA6, QXE8, QXQ4, QXU, SXE8, SXQ4, VX8, VXE8
			2	-	-	-	-	1070262	-----
10	17620-Z4H-020	CAP COMP., FUEL FILLER.....	-	-	-	2	-	-----	EZDM, EZDS, EZDV
	17620-Z4H-010	1	-	-	-	-	-----	PXD8, QXER, QXUZ
	17620-Z4H-020	1	-	-	-	-	1372504	1422261 LXE8, LXU, PXE8, PXU, QA2, QA26, QAA2, QAA6, QAW, QDW9, QK4, QWA4, QWT2, QXC9, QXE8, QXQ4, QXU, SHQ4, SXE8, SXQ4, VX8, VXE8
			1	-	-	-	-	1422262	-----
11	17672-Z4H-000	FILTER, FUEL.....	1	-	-	-	-	1382378	-----
12	16955-ZE1-010	JOINT, FUEL TANK.....	1	-	-	-	-	-----	QA2, QA26, QAA2, QAA6, QAW, QK4
									LXE8, LXU, PXD8, PXE8, PXU, QA2, QA26, QAA2, QAA6, QAW, QDW9, QK4, QWA4, QWT2, QXC9, QXE8, QXER, QXQ4, QXU, QXUZ, SHQ4, SXE8, SXQ4, VX8, VXE8
13	91353-671-004	O-RING, 14MM(NOK).....	1	-	-	-	-	-----	LXE8, LXU, PXD8, PXE8, PXU, QA2, QA26, QAA2, QAA6, QAW, QDW9, QK4, QWA4, QWT2, QXC9, QXE8, QXER, QXQ4, QXU, QXUZ, SHQ4, SXE8, SXQ4, VX8, VXE8

E-17-1

FUEL TANK(1)



Ref. No.	L.O.N. (Relative ref. Number)	Description	F.R.T.
----------	-------------------------------	-------------	--------

Ref. No.	Part No.	Description	Reqd. QTY					Serial No.	Parts catalogue code
			GX 390 UT1	GX 390 UT2	GX 390 RT1	GX 390 RT2	GX 390 UT2X		
1	16854-ZH8-000	RUBBER, SUPPORTER(107MM).....	1	-	1	1	-	HA2, LKE, LX2, LXE4, LXQ4, PA2, PAE2, QA4, QAE2, QAE4, QAE6, QC2, QE QHB4, QKA4, QME0, QME2, QNB2, QNE2, QNE6, QNE8, QNR2, QNR6, QWA2 QWC4, QXB7, QXB9, QXC4, QXC6, QXCU, QXE4, QXE6, QXE7, QXE9, QXH9 QXS2, QXS4, SCK4, SHQ2, SM32, SMC1, SMC2, SMD3, SME0, SME6, SNC STC4, SWA2, SWA4, SXB7, SXB9, SXE4, SXU, VA2, VAC2, VAG2, VC2, VCN2 VCF, VCN2, VCT2, VD2, VDE2, VK2, VKB2, VM2, VN27, VNG1, VS49, VSD4 VSD7, VSD9, VTH4, VWC, VWE, VXB7, VXB9, VXE2, VXE6, VXE7, VXE9, VXF VXG, VXQ4, VZC2	
			-	1	-	-	1	HA2, LKE, LX2, LXE4, LXE5, LXE8, LXQ4, LXU, PA2, PAE2, PKT, PXD8 PXE8, PXU, QA2, QA26, QA4, QAA2, QAA6, QAE2, QAE4, QAE6, QC1, QC2 QC3, QC4, QC5, QC6, QC9, QCDW, QCE2, QCWT, QDW9, QE, QHB4, QK4, QKA4 QMAH, QME0, QNE2, QNE8, QNR2, QNR6, QNRV, QWA4, QWC, QWC4, QWT2 QXAC, QXB7, QXB9, QXC4, QXC6, QXC9, QXCU, QXE4, QXE6, QXE7, QXE8 QXE9, QXEM, QXER, QXQ4, QXS4, QXU, QXUM, QXUZ, QZA2, QZAV, QZC, QZD QZDS, QZHW, QZME, QZN2, QZND, QZNH, QZNR, QZRL, QZRV, QZX9, QZXR SC1, SCK4, SCM, SCM1, SCM3, SCMV, SE1C, SHQ4, SHQ5, SHQ6, SM32, SMC1 SMD3, SME0, SME6, SMSC, SMX2, SMXC, SNC, SWA4, SXB7, SXBG, SXE4 SXE8, SXEM, SXQ4, SXU, SZEC, VA2, VN27, VSB9, VSD7, VSD9, VX8, VXB7 VXB9, VXE2, VXE7, VXE8, VXE9, VXQ4, VZS9, VZX7, VZX8	
2	16910-GB2-005	STRAINER COMP., FUEL.....	1	-	1	-	-	1980112 VCT	
	16910-ZE8-015	-	-	1	-	-	VKE4, VKX4, VPE5, VPE9, VPX2, VPX4, VPX9	
	16910-GB2-005	-	-	-	1	-	VS49, VSD4, VTH4	
	16910-ZE8-015	-	-	-	1	-	VPP9, VZXZ	
	16910-GB2-005	-	-	-	1	-	1557461 VSD4	
	16910-ZBH-821	-	-	-	1	1557462	1568912 VKE4, VKER, VKX4, VKXR, VPE5, VPE9, VPX4, VPX9, VZP9	
	16910-Z4E-S21	-	-	-	1	1669490	VSD4	
	16910-ZE8-015	-	-	-	1	1568913	1671264 VKE4, VKER, VKX4, VKXR, VPE5, VPE9, VPX4, VPX9, VZP9	
	16910-GB2-005	-	-	-	1	1669491	VSD4	
			-	-	-	1	1671265	VKE4, VKER, VKX4, VKXR, VPE5, VPE9, VPX4, VPX9, VZP9	



E-17-1

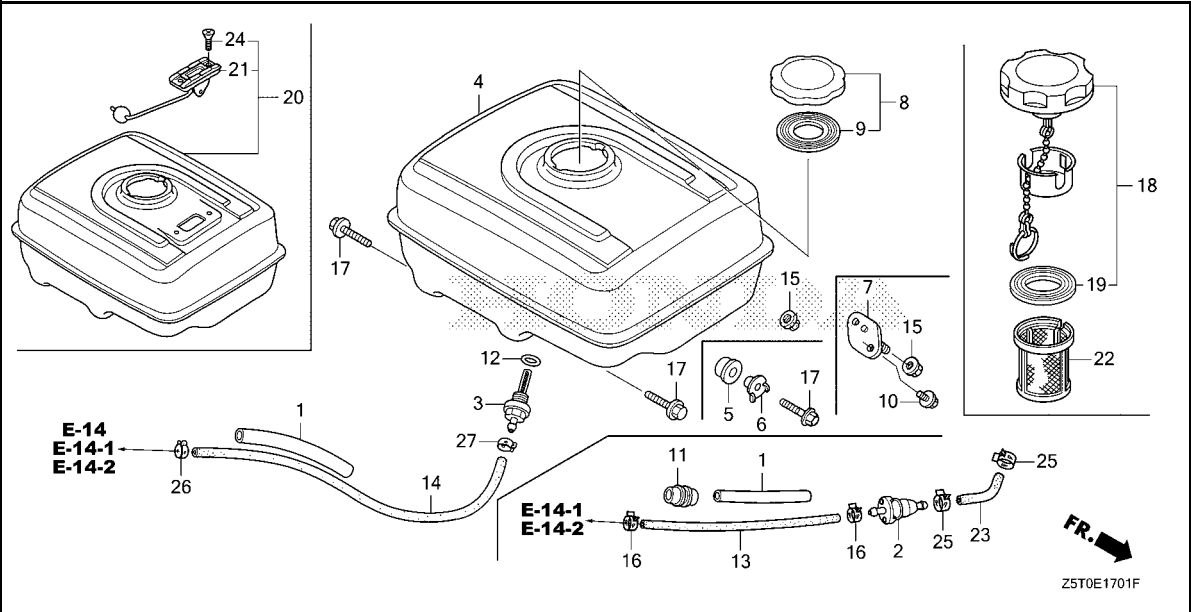
FUEL TANK(1)

Ref. No.	Part No.	Description	Reqd. QTY					Serial No.	Parts catalogue code
			GX 390 UT1	GX 390 UT2	GX 390 RT1	GX 390 RT2	GX 390 UT2X		
3	16955-ZE1-010	JOINT, FUEL TANK.....	1	-	-	-	-	HA2, LKE, LX2, LXE4, LXQ4, PA2, PAE2, QA4, QAE2, QAE4, QAE6, QC2, QE QHB4, QKA4, QME0, QME2, QNE2, QNE6, QNE8, QNR2, QNR6, QWC4, QXB7 QXB9, QXC4, QXC6, QXCU, QXE4, QXE6, QXE7, QXE9, QXH9, QXS2, QXS4 SCK4, SHQ2, SM32, SMC1, SMC2, SMD3, SME0, SME6, SNC, STC4, SWA2 SWA4, SXB7, SXB9, SXE4, SXU, VA2, VM2, VN27, VSD7, VSD9, VXB7, VXB9 VXE2, VXE6, VXE7, VXE9, VXQ4	
			-	1	-	-	1	HA2, LKE, LX2, LXE4, LXE5, LXE8, LXQ4, LXU, PA2, PAE2, PKT, PXD8 PXE8, PXU, QA2, QA26, QA4, QAA2, QAA6, QAE2, QAE4, QAE6, QC1, QC2 QC3, QC4, QC5, QC6, QC9, QCDW, QCE2, QCWT, QDW9, QE, QHB4, QK4, QKA4 QMAH, QME0, QNE2, QNE8, QNR2, QNR6, QNRV, QWA4, QWC, QWC4, QWT2 QXAC, QXB7, QXB9, QXC4, QXC6, QXC9, QXCU, QXE4, QXE6, QXE7, QXE8 QXE9, QXEM, QXER, QXQ4, QXS4, QXU, QXUM, QXUZ, QZA2, QZAV, QZC, QZD QZDS, QZHW, QZME, QZN2, QZND, QZNH, QZNR, QZRL, QZRV, QZX9, QZXR SC1, SCK4, SCM, SCM1, SCM3, SCMV, SE1C, SHQ4, SHQ5, SHQ6, SM32, SMC1 SMD3, SME0, SME6, SMSC, SMX2, SMXC, SNC, SWA4, SXB7, SXBG, SXE4 SXE8, SXEM, SXQ4, SXU, SZEC, VA2, VN27, VSB9, VSD7, VSD9, VX8, VXB7 VXB9, VXE2, VXE7, VXE8, VXE9, VXQ4, VZS9, VZX7, VZX8	
4	17510-ZE3-801ZC	TANK COMP., FUEL							
	NH31.....	MCKINLEY WHITE	1	-	-	-	-	LX2, QE, QME0, QNE8, QXC6, QXE7, QXE9, SXB7, SXB9, VA2, VXE2	
	17510-ZE3-030ZA	*NH31*.....	1	-	-	-	-	VSD7, VXB7	
	17510-ZE3-030ZB	*NH1*.....	1	-	-	-	-	VSD7, VXB7	
	17510-ZK6-881ZC	*NH1*.....	1	-	-	-	-	VSD9, VXB9	
	17510-ZK6-881ZB	*NH31*.....	1	-	-	-	-	VSD9, VXB9, VXE9	
	17510-ZE3-801ZB	*NH105*.....	1	-	-	-	-	VXE2	
	17510-ZK6-881ZA	*NH105*.....	1	-	-	-	-	VXE9	
	17510-ZE3-801ZC	*NH31*.....	1	-	-	-	-	1520103 HA2, LKE, LXE4, LXQ4, PA2, PAE2, QAE2, QAE6, QHB4, QKA4, QNE2, QNE6 QNR2, QNR6, QXB7, QXB9, QXC4, QXE4, QXE6, QXH9, QXS4, SCK4, SM32 SMC1, SMD3, SME0, SME6, SNC, SWA4, SXE4, SXU, VN27, VXE6, VXE7, VXQ4	
	17510-ZE3-801ZA	*NH1*.....	1	-	-	-	-	1520103 PA2, QAE2, QC2, QNR2, QWC4, QXS4, SM32, SME6, SWA4, SXU, VN27	
	17510-ZE3-801ZB	*NH105*.....	1	-	-	-	-	1520103 VXE7	
	17510-ZE3-030ZA	*NH31*.....	1	-	-	-	-	1520104 HA2, LKE, LXE4, LXQ4, PA2, PAE2, QAE2, QAE6, QHB4, QKA4, QNE2, QNE6 QNR2, QNR6, QXB7, QXB9, QXC4, QXE4, QXE6, QXH9, QXS4, SCK4, SM32 SMC1, SMD3, SME0, SME6, SNC, SWA4, SXE4, SXU, VN27, VXE6, VXE7, VXQ4	
	17510-ZE3-030ZB	*NH1*.....	1	-	-	-	-	1520104 PA2, QAE2, QC2, QNR2, QWC4, QXS4, SM32, SME6, SWA4, SXU, VN27	
	17510-ZE3-030ZE	*NH105*.....	1	-	-	-	-	1520104 VXE7	
	17510-Z5T-000ZB	*NH31*.....	-	1	-	-	1	HA2, LKE, LX2, LXE4, LXE8, LXQ4, LXU, PA2, PAE2, PKT, PXD8, PXE8, PXU QA2, QA26, QA4, QAA2, QAA6, QAE2, QAE4, QAE6, QC1, QC3, QC4, QC5, QC9 QCDW, QDW9, QE, QHB4, QK4, QKA4, QME0, QNE2, QNE8, QNR2, QNR6, QNRV QWA4, QXB7, QXB9, QXC4, QXC6, QXC9, QXCU, QXE4, QXE6, QXE7, QXE8 QXE9, QXEM, QXER, QXQ4, QXS4, QXU, QXUM, QXUZ, QZA2, QZAV, QZC, QZD QZDS, QZHW, QZME, QZN2, QZND, QZNH, QZNR, QZRL, QZRV, QZX9, QZXR SC1, SCK4, SCM1, SE1C, SHQ4, SHQ5, SHQ6, SM32, SMC1, SMD3, SME0 SME6, SMX2, SNC, SWA4, SXB7, SXE4, SXE8, SXQ4, SXU, SZEC, VA2, VN27 VSD7, VX8, VXB7, VXE2, VXE7, VXE8, VXQ4, VZX7, VZX8	
	17510-Z5T-800ZA	*NH1*.....	-	1	-	-	1	VSB9, VSD9, VXB9, VXE9	
	17510-Z5T-800ZB	*NH31*.....	-	1	-	-	1	VSB9, VSD9, VXB9, VXE9, VZS9	
	17510-Z5T-000ZA	*NH1*.....	-	1	-	-	-	LXE5, PA2, PKT, QA2, QAA2, QAE2, QAE4, QC2, QC4, QC5, QC6, QC9, QCDW QCE2, QCWT, QDW9, QMAH, QNR2, QWA4, QWC, QWC4, QWT2, QXAC, QXC9 QXS4, QZA2, QZAV, QZC, QZD, QZDS, QZHW, QZME, QZN2, QZND, QZNH, QZRV QZX9, SCM, SCM1, SCM3, SHQ5, SM32, SME6, SMSC, SMX2, SMXC, SWA4 SXBG, SXE4, SXEM, SXU, SZEC, VN27, VSD7, VXB7, VXE2, VXE7, VZX8	
			-	-	-	-	1	LXE5, PA2, PKT, QA2, QAA2, QAE2, QC5, QC6, QC9, QCDW, QCE2, QCWT QMAH, QNR2, QWC, QXAC, QXQ4, QZA2, QZAV, QZD, QZHW, QZN2, SCM, SCM1 SCM3, SCMV, SE1C, SHQ5, SM32, SME6, SMX2, SWA4, SXBG, SXE4, SXEM SXQ4, VN27, VXB7, VXE2, VXE7, VZX8	
5	17532-ZK6-881	RUBBER A, TANK MOUNTING.....	2	-	-	-	-	VXE9	
	17532-ZK6-880	2	-	-	-	-	1509293 VSD9, VXB9	



E-17-1

FUEL TANK(1)



Ref. No.	Part No.	Description	Reqd. QTY					Serial No.	Parts catalogue code
			GX 390 UT1	GX 390 UT2	GX 390 RT1	GX 390 RT2	GX 390 UT2X		
(5)	17532-ZK6-881	RUBBER A, TANK MOUNTING.....	2	-	-	-	1509294	----- VSD9, VXB9 ----- VSB9, VSD9, VXB9, VXE9, VZS9	
6	17534-ZK6-881	NUT, TANK MOUNTING.....	2	-	-	-	-----	VXE9	
	17534-ZK6-880	2	-	-	-	1509293	VSD9, VXB9	
	17534-ZK6-881	2	-	-	-	1509294	VSD9, VXB9	
			-	2	-	-	2	VSB9, VSD9, VXB9, VXE9, VZS9	
7	17536-ZK6-880	RUBBER COMP., TANK MOUNTING..	2	2	-	-	2	VSB9, VSD9, VXB9, VXE9, VZS9	
8	17620-Z0T-305	CAP COMP., FUEL FILLER (CHROME PLATED)(TOYOSHA)	1	-	-	-	-----	1372503 VSD7, VSD9, VXB7, VXB9	
9	17631-Z0T-812	PACKING, FUEL FILLER CAP (39X62X3)(TOYOSHA)	1	-	-	-	-----	1372503 VSD7, VSD9, VXB7, VXB9	
10	90008-ZE2-003	BOLT, FLANGE, 6X10.....	4	4	-	-	4	----- VSB9, VSD9, VXB9, VXE9, VZS9	
11	90854-ZB3-000	RUBBER, FUEL(9X15X20).....	1	-	1	-	-----	VEP9, VKE4, VKX4, VPE5, VPE9, VPX2, VPX4, VPX9	
			-	-	-	1	-----	VKE4, VKER, VKX4, VKXR, VPE5, VPE9, VPP9, VPX4, VPX9, VZP9	
			-	-	-	1	-----	2999999 VEP9	



E-17-1

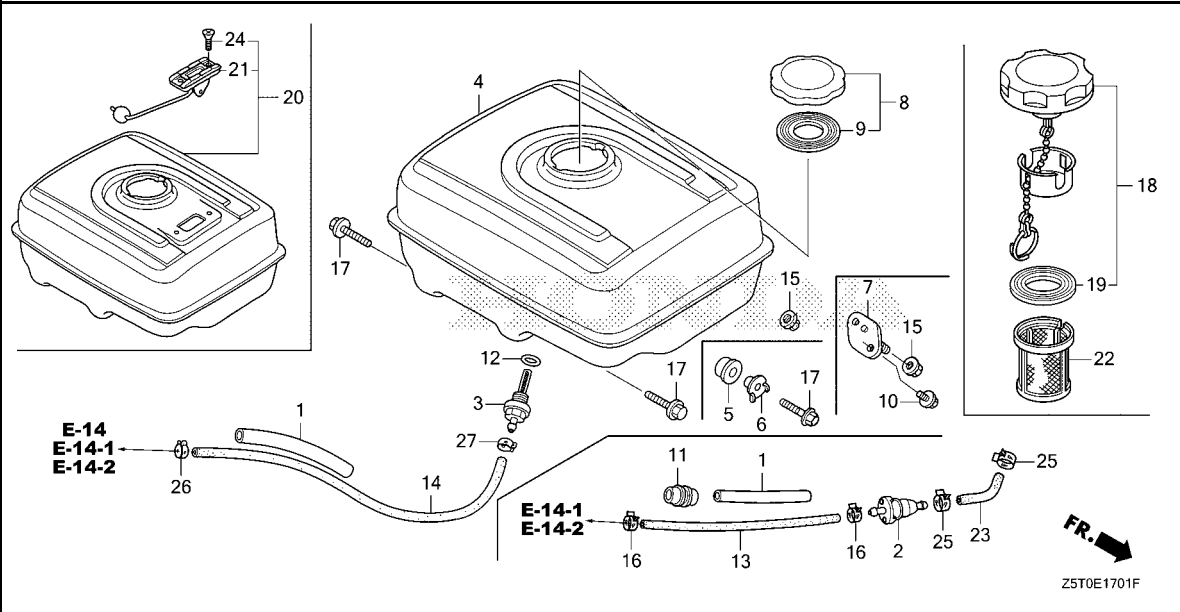
FUEL TANK(1)

Ref. No.	Part No.	Description	Reqd. QTY					Serial No.	Parts catalogue code
			GX 390 UT1	GX 390 UT2	GX 390 RT1	GX 390 RT2	GX 390 UT2X		
12	91353-671-004	O-RING, 14MM(NOK)	1	-	-	-	-	HA2, LKE, LX2, LXE4, LXQ4, PA2, PAE2, QA4, QAE2, QAE4, QAE6, QC2, QE QHB4, QKA4, QME0, QME2, QNE2, QNE6, QNE8, QNR2, QNR6, QWC4, QXB7 QXB9, QXC4, QXC6, QXCU, QXE4, QXE6, QXE7, QXE9, QXH9, QXS2, QXS4 SCK4, SHQ2, SM32, SMC1, SMC2, SMD3, SME0, SME6, SNC, STC4, SWA2 SWA4, SXB7, SXB9, SXE4, SXU, VA2, VM2, VN27, VSD7, VSD9, VXB7, VXB9 VXE2, VXE6, VXE7, VXE9, VXQ4	
			-	1	-	-	1	HA2, LKE, LX2, LXE4, LXE5, LXE8, LXQ4, LXU, PA2, PAE2, PKT, PXD8 PXE8, PXU, QA2, QA26, QA4, QAA2, QAA6, QAE2, QAE4, QAE6, QC1, QC2 QC3, QC4, QC5, QC6, QC9, QCDW, QCE2, QCWT, QDW9, QE, QHB4, QK4, QKA4 QMAH, QME0, QNE2, QNE8, QNR2, QNR6, QNRV, QWA4, QWC, QWC4, QWT2 QXAC, QXB7, QXB9, QXC4, QXC6, QXC9, QXCU, QXE4, QXE6, QXE7, QXE8 QXE9, QXEM, QXER, QXQ4, QXS4, QXU, QXUM, QXUZ, QZA2, QZAV, QZC, QZD QZDS, QZHW, QZME, QZN2, QZND, QZNH, QZNR, QZRL, QZRV, QZX9, QZXR SC1, SCK4, SCM, SCM1, SCM3, SCMV, SE1C, SHQ4, SHQ5, SHQ6, SM32, SMC1 SMD3, SME0, SME6, SMSC, SMX2, SMXC, SNC, SWA4, SXB7, SXBG, SXE4 SXE8, SXEM, SXQ4, SXU, SZEC, VA2, VN27, VSB9, VSD7, VSD9, VX8, VXB7 VXB9, VXE2, VXE7, VXE8, VXE9, VXQ4, VZS9, VZX7, VZX8	
13	91424-Z4K-802	TUBE, FUEL, 4.5X180(FKM)	1	-	1	-	-	VKE4, VPE5, VPE9, VPX2	
	91424-Z4K-801	1	-	1	-	-	1496914 VKX4, VPX4, VPX9	
	91424-Z4K-802	1	-	1	-	-	1496915 VKX4, VPX4, VPX9	
	91424-Z5S-802	TUBE, FUEL, 4.5X250(FKM)	-	-	1	-	-	VS49, VSD4	
	91424-Z4G-822	TUBE, FUEL, 4.5X400(FKM)	-	-	1	-	-	VTH4	
	91424-Z5S-802	TUBE, FUEL, 4.5X250(FKM)	-	-	1	-	-	1557461 VSD4	
	91424-Z4K-802	TUBE, FUEL, 4.5X180(FKM)	-	-	1	-	-	1568912 VKE4, VKER, VKX4, VKXR, VPE5, VPE9, VPX4, VPX9, VZP9	
	91424-ZBC-811	TUBE, FUEL, 4.2X120(FKM)	-	-	1	-	-	3313009 VPP9	
	91424-Z5J-802	TUBE, FUEL, 4.5X120(FKM)	-	-	1	-	-	3314949 VZXZ	
	91424-Z5S-803	TUBE, FUEL, 4.2X250(FKM)	-	-	1	-	-	1557462 3351929 VSD4	
	91424-ZBH-801	TUBE, FUEL, 4.2X180(FKM)	-	-	1	-	-	1568913 VPE5, VPX4, VZP9	
			-	-	1	-	-	1568913 3315757 VKE4, VKER, VKX4, VKXR, VPE9, VPX9	
	91424-ZBC-812	TUBE, FUEL, 4.2X120(FKM)	-	-	1	-	-	3313010 VPP9	
	91424-Z5J-803	TUBE, FUEL, 4.5X120(FKM)	-	-	1	-	-	3314950 3456712 VZXZ	
	91424-ZBH-802	TUBE, FUEL, 4.2X180(FKM)	-	-	1	-	-	3315758 VKE4, VKER, VKX4, VKXR, VPE9, VPX9	
	91424-Z5S-804	TUBE, FUEL, 4.2X250(FKM)	-	-	1	-	-	3351930 VSD4	
	91424-ZBC-812	TUBE, FUEL, 4.2X120(FKM)	-	-	1	-	-	3456713 VZXZ	
14	91424-Z5L-802	TUBE, FUEL, 4.5X235(FKM)	1	-	1	-	-	HA2, LKE, LX2, LXE4, LXQ4, PA2, PAE2, QA4, QAE2, QAE4, QAE6, QC2, QE QHB4, QKA4, QME0, QME2, QNE2, QNE6, QNE8, QNR2, QNR6, QWA2, QWC4 QXB7, QXB9, QXC4, QXC6, QXCU, QXE4, QXE6, QXE7, QXE9, QXH9, QXS2 QXS4, SCK4, SHQ2, SM32, SMC1, SMC2, SMD3, SME0, SME6, SNC, STC4 SWA2, SWA4, SXB7, SXB9, SXE4, SXU, VA2, VAC2, VAG2, VC2, VC2N, VD2 VDE2, VK2, VKB2, VM2, VN27, VNG1, VSD7, VSD9, VWC, VWE, VXB7, VXB9 VXE2, VXE6, VXE7, VXE9, VXG, VXQ4	
	91424-Z5T-003	-	1	-	-	-	QA26, QAA6, QAE4, QAE6, QC2, QDW9, QMAH, QNE8, QNR6, QWA4, QWC4 QWT2, QXC4, QXC6, QXC9, QXCU, QXS4, QZC, QZDS, QZNH, QZRV, QZX9 SMSC, SMXC, SNC, SXE8, SXU, SZEC, VA2, VSD7, VXQ4	
	91424-Z5T-013	-	1	-	-	-	QNRV, SCM3, SXBG, VSB9	
	91424-Z5T-003	-	1	-	-	-	3300148 HA2, LKE, LX2, LXE4, LXE5, LXE8, LXQ4, LXU, PA2, PAE2, PKT, PXD8 PXE8, PXU, QA2, QA4, QAA2, QAE2, QC1, QC3, QC4, QC5, QC6, QC9, QCDW QCE2, QCWT, QE, QHB4, QK4, QKA4, QME0, QNE2, QNR2, QWC, QXAC, QXB7 QXB9, QXE4, QXE6, QXE7, QXE8, QXE9, QXEM, QXER, QXQ4, QXU, QXUM QXUZ, QZA2, QZAV, QZD, QZHW, QZME, QZN2, QZND, QZNR, QZRL, QZXR, SC1 SCK4, SCM, SCM1, SHQ4, SHQ5, SHQ6, SM32, SMC1, SMD3, SME0, SME6 SMX2, SWA4, SXB7, SXE4, SXEM, SXQ4, VN27, VSD9, VX8, VXB7, VXB9 VXE2, VXE7, VXE8, VXE9, VZS9, VZX7, VZX8	



E-17-1

FUEL TANK(1)



Ref. No.	Part No.	Description	Reqd. QTY					Serial No.	Parts catalogue code	
			GX 390 UT1	GX 390 UT2	GX 390 RT1	GX 390 RT2	GX 390 UT2X			
14)	91424-Z5T-013	TUBE, FUEL, 4.5X235(FKM).....	-	1	-	-	-	3300149 -----	HA2, LKE, LX2, LXE4, LXE5, LXE8, LXQ4, LXU, PA2, PAE2, PKT, PXD8, PXE8, PXU, QA2, QA4, QAA2, QAE2, QC1, QC3, QC4, QC5, QC6, QC9, QCDW, QCE2, QCWT, QE, QHB4, QK4, QKA4, QME0, QNE2, QNR2, QWC, QXAC, QXB7, QXB9, QXE4, QXE6, QXE7, QXE8, QXE9, QXEM, QXER, QXQ4, QXU, QXUM, QXUZ, QZA2, QZAV, QZD, QZHW, QZME, QZN2, QZND, QZNR, QZRL, QZXR, SC1, SCK4, SCM, SCM1, SHQ4, SHQ5, SHQ6, SM32, SMC1, SMD3, SME0, SME6, SMX2, SWA4, SXB7, SXE4, SXEM, SXQ4, VN27, VSD9, VX8, VXB7, VXB9, VXE2, VXE7, VXE8, VXE9, VZS9, VZX7, VZX8	
	91424-Z5L-822	TUBE, FUEL, 4.5X580(FKM).....	-	-	1	-	-	-----	QNB2	
	91424-Z4J-822	TUBE, FUEL, 4.5X430(FKM).....	-	-	1	-	-	-----	VCN2	
	91424-Z4J-812	TUBE, FUEL, 4.5X300(FKM).....	-	-	1	-	-	-----	VEP9	
	91424-ZBH-832	TUBE, FUEL, 4.2X260(FKM).....	-	-	-	1	-	-----	VCF, VXF	
	91424-Z5L-802	TUBE, FUEL, 4.5X235(FKM).....	-	-	-	1	-	-----	1023293 VK2	
	91424-Z5L-822	TUBE, FUEL, 4.5X580(FKM).....	-	-	-	1	-	-----	1549653 QNB2	
	91424-Z5L-802	TUBE, FUEL, 4.5X235(FKM).....	-	-	-	1	-	-----	1556825 QWA2, VZC2	
	91424-Z5T-003	-	-	-	1	-	-----	1556825 VAG2, VC2, VCT, VCT2, VDE2, VKB2, VVC, VWE, VXG	
	91424-Z4J-812	TUBE, FUEL, 4.5X300(FKM).....	-	-	-	1	-	-----	3324128 VEP9	
	91424-ZBH-811	TUBE, FUEL, 4.2X165(FKM).....	-	-	-	1	-	-----	3484286 VWS1	
	91424-Z5T-003	TUBE, FUEL, 4.5X235(FKM).....	-	-	-	1	-	-----	1023294 VK2, VZC2	
	91424-ZBH-821	TUBE, FUEL, 4.2X580(FKM).....	-	-	-	1	-	1549654	3325475 QNB2	
	91424-ZBH-851	TUBE, FUEL, 4.2X235(FKM).....	-	-	-	1	-	1556826	-----	QWA2, VAG2, VKB2, VZC2
			-	-	-	1	-	1556826	1980112	VCT
			-	-	-	1	-	1556826	3323792	VC2, VCT2, VDE2, VVC, VWE, VXG
	91424-ZBH-852	-	-	-	1	-	3323793	-----	VC2, VCT2, VDE2, VVC, VWE, VXG
	91424-Z4J-813	TUBE, FUEL, 4.5X300(FKM).....	-	-	-	1	-	3324129	3351913	VEP9
	91424-ZBH-822	TUBE, FUEL, 4.2X580(FKM).....	-	-	-	1	-	3325476	-----	QNB2
	91424-Z9K-832	TUBE, FUEL, 4.2X300(FKM).....	-	-	-	1	-	3351914	-----	VEP9
	91424-ZBH-812	TUBE, FUEL, 4.2X165(FKM).....	-	-	-	1	-	3484287	-----	VWS1



E-17-1

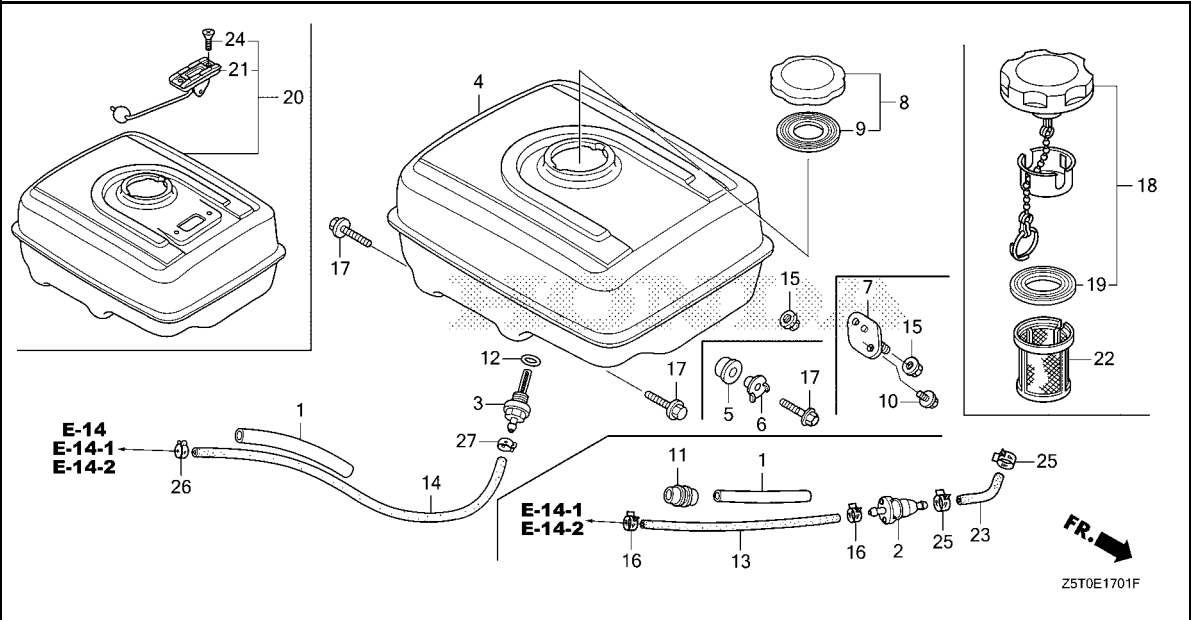
FUEL TANK(1)

Ref. No.	Part No.	Description	Reqd. QTY					Serial No.	Parts catalogue code
			GX 390 UT1	GX 390 UT2	GX 390 RT1	GX 390 RT2	GX 390 UT2X		
14)	91424-Z5T-013	TUBE, FUEL, 4.5X235(FKM).....	-	-	-	-	1	-----	HA2, LKE, LX2, LXE4, LXE5, LXE8, LXQ4, LXU, PA2, PAE2, PKT, PXD8 PXE8, PXU, QA2, QA4, QAA2, QAE2, QC1, QC3, QC5, QC6, QC9, QCDW, QCE2 QCWT, QE, QHB4, QK4, QKA4, QMAH, QME0, QNE2, QNR2, QNRV, QWC, QXAC QXB7, QXB9, QXE4, QXE6, QXE7, QXE8, QXE9, QXEM, QXER, QXQ4, QXU QXUM, QXUZ, QZA2, QZAV, QZD, QZHW, QZN2, QZNR, QZRL, QZXR, SC1, SCK4 SCM, SCM1, SCM3, SCMV, SE1C, SHQ4, SHQ5, SHQ6, SM32, SMC1, SMD3 SME0, SME6, SMX2, SWA4, SXB7, SXBG, SXE4, SXEM, SXQ4, VN27, VSB9 VSD9, VX8, VXB7, VXB9, VXE2, VXE7, VXE8, VXE9, VZX7, VZX8
15	94050-08000	NUT, FLANGE, 8MM.....	2	-	2	-	-	-----	HA2, LKE, LX2, LXE4, LXQ4, PA2, PAE2, QA4, QAE2, QAE4, QAE6, QC2, QE QHB4, QKA4, QME0, QME2, QNE2, QNE6, QNE8, QNR2, QNR6, QWC4, QXB7 QXB9, QXC4, QXC6, QXCU, QXE4, QXE6, QXE7, QXE9, QXH9, QXS2, QXS4 SCK4, SHQ2, SM32, SMC1, SMC2, SMD3, SME0, SME6, SNC, STC4, SWA2 SWA4, SXB7, SXB9, SXE4, SXU, VA2, VC2, VC2N, VKE4, VM2, VN27, VPE5 VPE9, VSD7, VSD9, VVC, VWE, VXB7, VXB9, VXE2, VXE6, VXE7, VXE9, VXQ4 HA2, LKE, LX2, LXE4, LXE5, LXE8, LXQ4, LXU, PA2, PAE2, PKT, PXD8 PXE8, PXU, QA2, QA26, QA4, QAA2, QAA6, QAE2, QAE4, QAE6, QC1, QC2 QC3, QC4, QC5, QC6, QC9, QCDW, QCE2, QCWT, QDW9, QE, QHB4, QK4, QKA4 QMAH, QME0, QNE2, QNE8, QNR2, QNR6, QNRV, QWA4, QWC, QWC4, QWT2 QXAC, QXB7, QXB9, QXC4, QXC6, QXC9, QXCU, QXE4, QXE6, QXE7, QXE8 QXE9, QXEM, QXER, QXQ4, QXS4, QXU, QXUM, QXUZ, QZA2, QZAV, QZC, QZD QZDS, QZHW, QZME, QZN2, QZND, QZNH, QZNR, QZRL, QZRV, QZX9, QZXR SC1, SCK4, SCM, SCM1, SCM3, SCMV, SE1C, SHQ4, SHQ5, SHQ6, SM32, SMC1 SMD3, SME0, SME6, SMSC, SMX2, SMXC, SNC, SWA4, SXB7, SXBG, SXE4 SXE8, SXEM, SXQ4, SXU, SZEC, VA2, VN27, VSB9, VSD7, VSD9, VX8, VXB7 VXB9, VXE2, VXE7, VXE8, VXE9, VXQ4, VZS9, VZX7, VZX8
16	95002-40800-08	CLAMP, TUBE(D8).....	2	-	2	2	2	-----	QZXR, VKE4, VKER, VKX4, VKXR, VPE5, VPE9, VPP9, VPX2, VPX4, VPX9 VS49, VSD4, VTH4, VZP9, VZXZ
17	95701-08025-00	BOLT, FLANGE, 8X25.....	2	-	-	-	-	-----	HA2, LKE, LX2, LXE4, LXQ4, PA2, PAE2, QA4, QAE2, QAE4, QAE6, QC2, QE QHB4, QKA4, QME0, QME2, QNE2, QNE6, QNE8, QNR2, QNR6, QWC4, QXB7 QXB9, QXC4, QXC6, QXCU, QXE4, QXE6, QXE7, QXE9, QXH9, QXS2, QXS4 SCK4, SHQ2, SM32, SMC1, SMC2, SMD3, SME0, SME6, SNC, STC4, SWA2 SWA4, SXB7, SXB9, SXE4, SXU, VA2, VM2, VN27, VSD7, VSD9, VXB7, VXB9 VXE2, VXE6, VXE7, VXE9, VXQ4
18	17620-Z4H-020	CAP COMP., FUEL FILLER.....	1	-	-	-	-	-----	HA2, LKE, LX2, LXE4, LXE5, LXE8, LXQ4, LXU, PA2, PAE2, PKT, PXD8 PXE8, PXU, QA2, QA26, QA4, QAA2, QAA6, QAE2, QAE4, QAE6, QC1, QC2 QC3, QC4, QC5, QC6, QC9, QCDW, QCE2, QCWT, QDW9, QE, QHB4, QK4, QKA4 QMAH, QME0, QNE2, QNE8, QNR2, QNR6, QNRV, QWA4, QWC, QWC4, QWT2 QXAC, QXB7, QXB9, QXC4, QXC6, QXC9, QXCU, QXE4, QXE6, QXE7, QXE8 QXE9, QXEM, QXER, QXQ4, QXS4, QXU, QXUM, QXUZ, QZA2, QZAV, QZC, QZD QZDS, QZHW, QZME, QZN2, QZND, QZNH, QZNR, QZRL, QZRV, QZX9, QZXR SC1, SCK4, SCM, SCM1, SCM3, SCMV, SE1C, SHQ4, SHQ5, SHQ6, SM32, SMC1 SMD3, SME0, SME6, SMSC, SMX2, SMXC, SNC, SWA4, SXB7, SXBG, SXE4 SXE8, SXEM, SXQ4, SXU, SZEC, VA2, VN27, VSB9, VSD7, VSD9, VX8, VXB7 VXB9, VXE2, VXE7, VXE8, VXE9, VXQ4, VZS9, VZX7, VZX8
	17620-Z4H-010	1	-	-	-	-	1372504 1422261	VSD7, VSD9, VXB7, VXB9
	17620-Z4H-020	1	-	-	-	-	1422262	VSD7, VSD9, VXB7, VXB9
	17620-Z4H-912	-	1	-	-	-	-----	QNRV, SCM3
	17620-Z4H-900	-	1	-	-	-	-----	QZC, QZDS, QZRV, SMXC, SZEC
	17620-Z4H-910	-	1	-	-	-	-----	SMSC



E-17-1

FUEL TANK(1)



Ref. No.	Part No.	Description	Reqd. QTY					Serial No.	Parts catalogue code
			GX 390 UT1	GX 390 UT2	GX 390 RT1	GX 390 RT2	GX 390 UT2X		
18)	17620-Z4H-020	CAP COMP., FUEL FILLER.....	-	1	-	-	-	----- 1219065	HA2, LKE, LX2, LXE4, LXE8, LXQ4, LXU, PA2, PAE2, PXD8, PXE8, PXU, QA2, QA26, QA4, QAA2, QAA6, QAE2, QAE4, QAE6, QC2, QDW9, QE, QHB4, QK4, QKA4, QME0, QNE2, QNE8, QNR2, QNR6, QWA4, QWC4, QWT2, QXB7, QXB9, QXC4, QXC6, QXC9, QXCU, QXE4, QXE6, QXE7, QXE8, QXE9, QXER, QXQ4, QXS4, QXU, QXUZ, QZA2, QZAV, QZN2, QZNH, QZNR, QZX9, QZXR, SCK4, SHQ4, SHQ5, SM32, SMC1, SMD3, SME0, SME6, SMX2, SNC, SWA4, SXB7, SXE4, SXE8, SXQ4, SXU, VA2, VN27, VSD7, VSD9, VX8, VXB7, VXB9, VXE2, VXE7, VXE8, VXE9, VXQ4, VZX7, VZX8
	17620-Z4H-030	-	1	-	-	-	----- 1517215	PKT, QWC, QXEM, QXUM
	17620-Z4H-910	-	1	-	-	-	----- 3415325	LXE5, QC1, QC3, QC4, QC5, QC6, QC9, QCDW, QCE2, QCWT, QMAH, QXAC, QZD, QZHW, QZME, QZND, QZRL, SC1, SCM, SCM1, SHQ6, SXBG, SXEM, VSB9, VZS9
	17620-Z4H-030	-	1	-	-	-	1219066 1517215	HA2, LKE, LX2, LXE4, LXE8, LXQ4, LXU, PA2, PAE2, PXD8, PXE8, PXU, QA2, QA26, QA4, QAA2, QAA6, QAE2, QAE4, QAE6, QC2, QDW9, QE, QHB4, QK4, QKA4, QME0, QNE2, QNE8, QNR2, QNR6, QWA4, QWC4, QWT2, QXB7, QXB9, QXC4, QXC6, QXC9, QXCU, QXE4, QXE6, QXE7, QXE8, QXE9, QXER, QXQ4, QXS4, QXU, QXUZ, QZA2, QZAV, QZN2, QZNH, QZNR, QZX9, QZXR, SCK4, SHQ4, SHQ5, SM32, SMC1, SMD3, SME0, SME6, SMX2, SNC, SWA4, SXB7, SXE4, SXE8, SXQ4, SXU, VA2, VN27, VSD7, VSD9, VX8, VXB7, VXB9, VXE2, VXE7, VXE8, VXE9, VXQ4, VZX7, VZX8
	17620-Z4H-900	-	1	-	-	-	1517216 -----	QA26, QAA6, QAE4, QAE6, QNE8, QNR6, QWA4, QWC4, QXC6, QXS4, QZNH, QZX9, SXE8, SXU, VA2, VSD7, VXQ4
		-	1	-	-	-	1517216 2999999	HA2, LKE, LX2, LXE4, LXE8, LXQ4, LXU, PA2, PAE2, PKT, PXD8, PXE8, PXU, QA2, QA4, QAA2, QAE2, QE, QHB4, QK4, QKA4, QME0, QNE2, QNR2, QWC, QXB7, QXB9, QXE4, QXE6, QXE7, QXE8, QXE9, QXEM, QXER, QXQ4, QXU, QXUM, QXUZ, QZA2, QZAV, QZN2, QZNR, QZXR, SCK4, SHQ4, SHQ5, SM32, SMC1, SMD3, SME0, SME6, SMX2, SWA4, SXB7, SXE4, SXQ4, VN27, VSD9, VX8, VXB7, VXB9, VXE2, VXE7, VXE8, VXE9, VZX7, VZX8
		-	1	-	-	-	1517216 3415325	QC2, QDW9, QWT2, QXC4, QXC9, QXCU, SNC



E-17-1

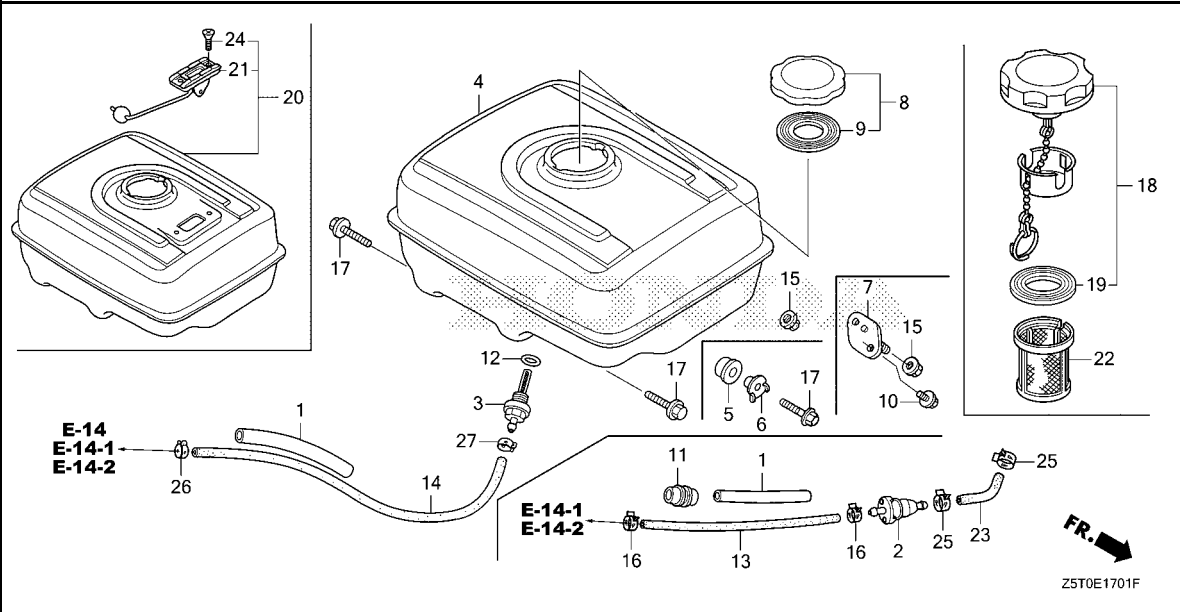
FUEL TANK(1)

Ref. No.	Part No.	Description	Reqd. QTY					Serial No.	Parts catalogue code
			GX 390 UT1	GX 390 UT2	GX 390 RT1	GX 390 RT2	GX 390 UT2X		
18)	17620-Z4H-910	CAP COMP., FUEL FILLER.....	-	1	-	-	-	3000001 3415325	HA2, LKE, LX2, LXE4, LXE8, LXQ4, LXU, PA2, PAE2, PKT, PXD8, PXE8, PXU QA2, QA4, QAA2, QAE2, QE, QHB4, QK4, QKA4, QME0, QNE2, QNR2, QWC QXB7, QXB9, QXE4, QXE6, QXE7, QXE8, QXE9, QXEM, QXER, QXQ4, QXU QXUM, QXUZ, QZA2, QZAV, QZN2, QZNR, QZXR, SCK4, SHQ4, SHQ5, SM32 SMC1, SMD3, SME0, SME6, SMX2, SWA4, SXB7, SXE4, SXQ4, VN27, VSD9 VX8, VXB7, VXB9, VXE2, VXE7, VXE8, VXE9, VZX7, VZX8
	17620-Z4H-911	-	1	-	-	-	3415326 -----	HA2, LKE, LX2, LXE4, LXE5, LXE8, LXQ4, LXU, PA2, PAE2, PKT, PXD8 PXE8, PXU, QA2, QA4, QAA2, QAE2, QC1, QC2, QC3, QC4, QC5, QC6, QC9 QCDW, QCE2, QCWT, QDW9, QE, QHB4, QK4, QKA4, QMAH, QME0, QNE2, QNR2 QWA4, QWC, QWT2, QXAC, QXB7, QXB9, QXC4, QXCU, QXE4, QXE6, QXE7 QXE8, QXE9, QXEM, QXER, QXQ4, QXU, QXUM, QXUZ, QZA2, QZAV, QZD, QZHW QZME, QZN2, QZND, QZNR, QZRL, QZXR, SC1, SCK4, SCM, SCM1, SHQ4, SHQ5 SHQ6, SM32, SMC1, SMD3, SME0, SME6, SMX2, SNC, SWA4, SXB7, SXBG SXE4, SXEM, SXQ4, VN27, VSB9, VSD9, VX8, VXB7, VXB9, VXE2, VXE7 VXE8, VXE9, VZS9, VZX7, VZX8
	17620-Z4H-920	-	-	-	-	1	-----	HA2, LKE, LX2, LXE4, LXE5, LXE8, LXQ4, LXU, PA2, PAE2, PKT, PXD8 PXE8, PXU, QA2, QA4, QAA2, QAE2, QC1, QC3, QC5, QC6, QC9, QCDW, QCE2 QCWT, QE, QHB4, QK4, QKA4, QMAH, QME0, QNE2, QNR2, QNRV, QWC, QXAC QXB7, QXB9, QXE4, QXE6, QXE7, QXE8, QXE9, QXEM, QXER, QXQ4, QXU QXUM, QXUZ, QZA2, QZAV, QZD, QZHW, QZN2, QZNR, QZRL, QZXR, SC1, SCK4 SCM, SCM1, SCM3, SCMV, SE1C, SHQ4, SHQ5, SHQ6, SM32, SMC1, SMD3 SME0, SME6, SMX2, SWA4, SXB7, SXBG, SXE4, SXEM, SXQ4, VN27, VSB9 VSD9, VX8, VXB7, VXB9, VXE2, VXE7, VXE8, VXE9, VZX7, VZX8
19	17631-Z0T-801	PACKING, FUEL FILLER CAP (39X62X3)(RADICON)	1	-	-	-	-	-----	HA2, LKE, LX2, LXE4, LXQ4, PA2, PAE2, QA4, QAE2, QAE4, QAE6, QC2, QE QHB4, QKA4, QME0, QME2, QNE2, QNE6, QNE8, QNR2, QNR6, QWC4, QXB7 QXB9, QXC4, QXC6, QXCU, QXE4, QXE6, QXE7, QXE9, QXH9, QXS2, QXS4 SCK4, SHQ2, SM32, SMC1, SMC2, SMD3, SME0, SME6, SNC, STC4, SWA2 SWA4, SXB7, SXB9, SXE4, SXU, VA2, VM2, VN27, VXE2, VXE6, VXE7, VXE9 VXQ4
	17631-Z4H-800	PACKING, FUEL FILLER CAP (39X62X3)	1	-	-	-	-	1372504 1422261	VSD7, VSD9, VXB7, VXB9
	17631-Z0T-801	PACKING, FUEL FILLER CAP (39X62X3)(RADICON)	1	-	-	-	-	1422262 -----	VSD7, VSD9, VXB7, VXB9
			-	1	-	-	-	-----	HA2, LKE, LX2, LXE4, LXE5, LXE8, LXQ4, LXU, PA2, PAE2, PKT, PXD8 PXE8, PXU, QA2, QA4, QAA2, QAA6, QAE2, QAE4, QAE6, QC1, QC2 QC3, QC4, QC5, QC6, QC9, QCDW, QCE2, QCWT, QDW9, QE, QHB4, QK4, QKA4 QMAH, QME0, QNE2, QNE8, QNR2, QNR6, QNRV, QWA4, QWC, QWC4, QWT2 QXAC, QXB7, QXB9, QXC4, QXC6, QXC9, QXCU, QXE4, QXE6, QXE7, QXE8 QXE9, QXEM, QXER, QXQ4, QXS4, QXU, QXUM, QXUZ, QZA2, QZAV, QZC, QZD QZDS, QZHW, QZME, QZN2, QZND, QZNH, QZNR, QZRL, QZRV, QZX9, QZXR SC1, SCK4, SCM, SCM1, SCM3, SCMV, SE1C, SHQ4, SHQ5, SHQ6, SM32, SMC1 SMD3, SME0, SME6, SMSC, SMX2, SMXC, SNC, SWA4, SXB7, SXBG, SXE4 SXE8, SXEM, SXQ4, SXU, SZEC, VA2, VN27, VSB9, VSD7, VSD9, VX8, VXB7 VXB9, VXE2, VXE7, VXE8, VXE9, VXQ4, VZS9, VZX7, VZX8
	17631-Z1T-800	PACKING, FUEL FILLER CAP (39X62X3)(TOYOSHA)	-	1	-	-	-	-----	HA2, LKE, LX2, LXE4, LXE5, LXE8, LXQ4, LXU, PA2, PAE2, PKT, PXD8 PXE8, PXU, QA2, QA4, QAA2, QAE2, QC1, QC2, QC3, QC4, QC5, QC6, QC9 QCDW, QCE2, QCWT, QDW9, QE, QHB4, QK4, QKA4, QMAH, QME0, QNE2, QNR2 QWA4, QWC, QWT2, QXAC, QXB7, QXB9, QXC4, QXC9, QXCU, QXE4, QXE6 QXE7, QXE8, QXE9, QXEM, QXER, QXQ4, QXU, QXUM, QXUZ, QZA2, QZAV, QZC, QZD QZHS, QZHW, QZME, QZN2, QZND, QZNR, QZRL, QZXR, SC1, SCK4, SCM, SCM1, SHQ4 SHQ5, SHQ6, SM32, SMC1, SMD3, SME0, SME6, SMSC, SMX2, SNC, SWA4 SXB7, SXBG, SXE4, SXEM, SXQ4, VN27, VSB9, VSD9, VX8, VXB7, VXB9 VXE2, VXE7, VXE8, VXE9, VXQ4, VZS9, VZX7, VZX8
20	17500-ZE3-813ZC	TANK ASSY., FUEL(GAUGE) *NH1*.....BLACK	-	1	-	-	-	1204194 -----	QZXR VM2



E-17-1

FUEL TANK(1)



Ref. No.	Part No.	Description	Reqd. QTY					Serial No.	Parts catalogue code
			GX 390 UT1	GX 390 UT2	GX 390 RT1	GX 390 RT2	GX 390 UT2X		
21	17505-ZE2-013	GAUGE ASSY., FUEL	1	-	-	-	-	STC4, VM2	
	17630-Z1C-003	METER ASSY., FUEL	-	1	-	-	1204194	VM2	
22	17672-Z4H-000	FILTER, FUEL	1	-	-	-	-	HA2, PA2, PAE2, QA4, QAE2, QAE4, QAE6, QE, QHB4, QNE2, QNE6, QNE8, QNR2, QNR6, SM32, SMC1, SMC2, SMD3, SNC, STC4, VA2, VM2	
			-	1	-	-	1	HA2, PA2, PAE2, PKT, QA2, QA26, QA4, QAA6, QAE2, QAE4, QAE6, QE, QHB4, QK4, QMAH, QNE2, QNE8, QNR2, QNR6, QNRV, QWC, QZA2, QZAV, QZC, QZHW, QZN2, QZND, QZNH, QZNR, QZRL, QZRV, SC1, SCM, SCM1, SCM3, SCMV, SE1C, SM32, SMC1, SMD3, SMSC, SMX2, SMXC, SNC, SXBG, SXEM, SZEC, VA2	
23	17701-Z5S-U32	TUBE, FUEL, 6.3X50(FKM)	-	-	1	-	-	VS49, VSD4, VTH4	
	17701-Z5S-U33	-	-	-	1	-	3351929 VSD4	
	17701-Z5S-U34	-	-	-	1	-	3571341 VSD4	
24	93600-05010-0A	SCREW, FLAT, 5X10	2	-	-	-	-	STC4, VM2	
			-	2	-	-	-	VM2	
25	95002-41050-08	CLAMP, TUBE(D10.5)	-	-	2	2	-	VS49, VSD4, VTH4	



E-17-1

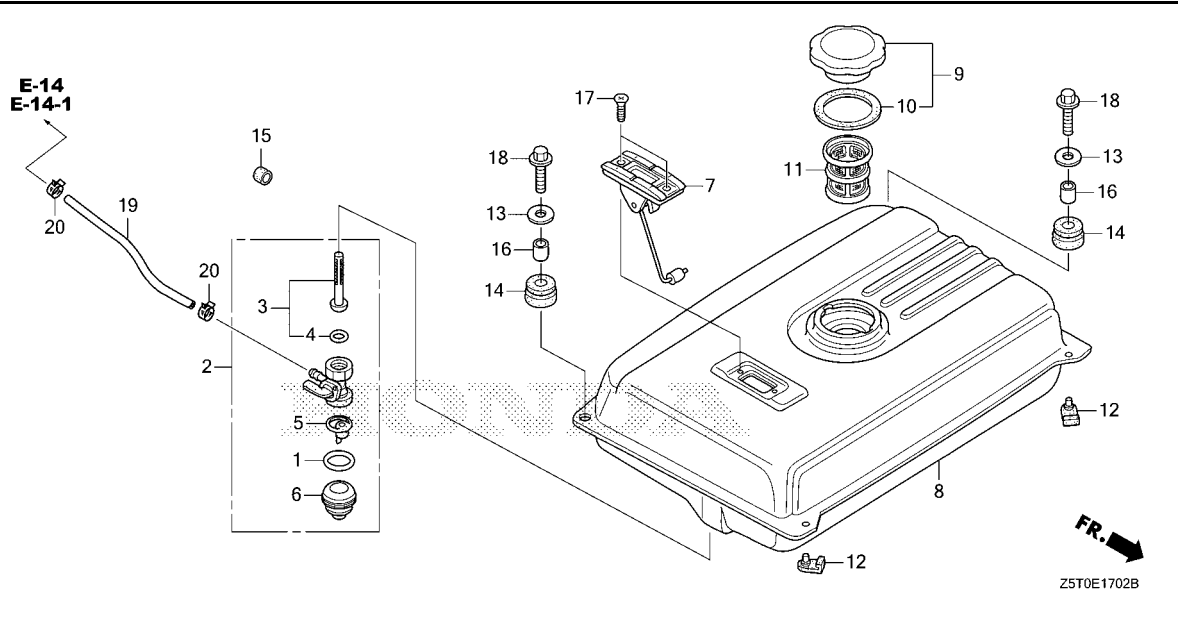
FUEL TANK(1)

Ref. No.	Part No.	Description	Reqd. QTY					Serial No.	Parts catalogue code
			GX 390 UT1	GX 390 UT2	GX 390 RT1	GX 390 RT2	GX 390 UT2X		
26	95002-40800-08	CLAMP, TUBE(D8).....	1	-	1	-	-	-----	HA2, LKE, LX2, LXE4, LXQ4, PA2, PAE2, QA4, QAE2, QAE4, QAE6, QC2, QE QHB4, QKA4, QME0, QME2, QNB2, QNE2, QNE6, QNE8, QNR2, QNR6, QWA2 QWC4, QXB7, QXB9, QXC4, QXC6, QXCU, QXE4, QXE6, QXE7, QXE9, QXH9 QXS2, QXS4, SCK4, SHQ2, SM32, SMC1, SMC2, SMD3, SME0, SME6, SNC STC4, SWA2, SWA4, SXB7, SXB9, SXE4, SXU, VA2, VAC2, VAG2, VC2, VCN2 VCN2, VD2, VDE2, VEP9, VK2, VKB2, VM2, VN27, VNG1, VSD7, VSD9, VWC VWE, VXB7, VXB9, VXE2, VXE6, VXE7, VXE9, VXG, VXQ4
			-	1	-	-	-	-----	HA2, LKE, LX2, LXE4, LXE5, LXE8, LXQ4, LXU, PA2, PAE2, PKT, PXD8 PXE8, PXU, QA2, QA26, QA4, QAA2, QAA6, QAE2, QAE4, QAE6, QC1, QC2 QC3, QC4, QC5, QC6, QC9, QCDW, QCE2, QCWT, QDW9, QE, QHB4, QK4, QKA4 QMAH, QME0, QNE2, QNE8, QNR2, QNR6, QNRV, QWA4, QWC, QWC4, QWT2 QXAC, QXB7, QXB9, QXC4, QXC6, QXC9, QXCU, QXE4, QXE6, QXE7, QXE8 QXE9, QXEM, QXER, QXQ4, QXS4, QXU, QXUM, QXUZ, QZA2, QZAV, QZC, QZD QZDS, QZHW, QZME, QZN2, QZND, QZNH, QZNR, QZRL, QZRV, QZX9, QZXR SC1, SCK4, SCM, SCM1, SCM3, SHQ4, SHQ5, SHQ6, SM32, SMC1, SMD3, SME0 SME6, SMSC, SMX2, SMXC, SNC, SWA4, SXB7, SXBG, SXE4, SXE8, SXEM SXQ4, SXU, SZEC, VA2, VN27, VSB9, VSD7, VSD9, VX8, VXB7, VXB9, VXE2 VXE7, VXE8, VXE9, VXQ4, VZS9, VZX7, VZX8
			-	-	-	1	-	-----	QNB2, QWA2, VAG2, VC2, VCF, VCT2, VDE2, VEP9, VKB2, VWC, VWE, VWS1 VXF, VXG, VZC2
			-	-	-	1	-	-----	1980112 VCT
			-	-	-	-	1	-----	HA2, LKE, LX2, LXE4, LXE5, LXE8, LXQ4, LXU, PA2, PAE2, PKT, PXD8 PXE8, PXU, QA2, QA4, QAA2, QAE2, QC1, QC3, QC5, QC6, QC9, QCDW, QCE2 QCWT, QE, QHB4, QK4, QKA4, QMAH, QME0, QNE2, QNR2, QNRV, QWC, QXAC QXB7, QXB9, QXE4, QXE6, QXE7, QXE8, QXE9, QXEM, QXER, QXQ4, QXU QXUM, QXUZ, QZA2, QZAV, QZD, QZHW, QZN2, QZNR, QZRL, SC1, SCK4, SCM SCM1, SCM3, SCMV, SE1C, SHQ4, SHQ5, SHQ6, SM32, SMC1, SMD3, SME0 SME6, SMX2, SWA4, SXB7, SXBG, SXE4, SXEM, SXQ4, VN27, VSB9, VSD9 VX8, VXB7, VXB9, VXE2, VXE7, VXE8, VXE9, VZX7, VZX8
27	95002-40800-08	CLAMP, TUBE(D8).....	1	-	1	-	-	-----	HA2, LKE, LX2, LXE4, LXQ4, PA2, PAE2, QA4, QAE2, QAE4, QAE6, QC2, QE QHB4, QKA4, QME0, QME2, QNB2, QNE2, QNE6, QNE8, QNR2, QNR6, QWA2 QWC4, QXB7, QXB9, QXC4, QXC6, QXCU, QXE4, QXE6, QXE7, QXE9, QXH9 QXS2, QXS4, SCK4, SHQ2, SM32, SMC1, SMC2, SMD3, SME0, SME6, SNC STC4, SWA2, SWA4, SXB7, SXB9, SXE4, SXU, VA2, VAC2, VAG2, VC2, VCN2 VCN2, VD2, VDE2, VEP9, VK2, VKB2, VM2, VN27, VNG1, VSD7, VSD9, VWC VWE, VXB7, VXB9, VXE2, VXE6, VXE7, VXE9, VXG, VXQ4
			-	1	-	-	-	-----	HA2, LKE, LX2, LXE4, LXE5, LXE8, LXQ4, LXU, PA2, PAE2, PKT, PXD8 PXE8, PXU, QA2, QA26, QA4, QAA2, QAA6, QAE2, QAE4, QAE6, QC1, QC2 QC3, QC4, QC5, QC6, QC9, QCDW, QCE2, QCWT, QDW9, QE, QHB4, QK4, QKA4 QMAH, QME0, QNE2, QNE8, QNR2, QNR6, QNRV, QWA4, QWC, QWC4, QWT2 QXAC, QXB7, QXB9, QXC4, QXC6, QXC9, QXCU, QXE4, QXE6, QXE7, QXE8 QXE9, QXEM, QXER, QXQ4, QXS4, QXU, QXUM, QXUZ, QZA2, QZAV, QZC, QZD QZDS, QZHW, QZME, QZN2, QZND, QZNH, QZNR, QZRL, QZRV, QZX9, QZXR SC1, SCK4, SCM, SCM1, SCM3, SHQ4, SHQ5, SHQ6, SM32, SMC1, SMD3, SME0 SME6, SMSC, SMX2, SMXC, SNC, SWA4, SXB7, SXBG, SXE4, SXE8, SXEM SXQ4, SXU, SZEC, VA2, VN27, VSB9, VSD7, VSD9, VX8, VXB7, VXB9, VXE2 VXE7, VXE8, VXE9, VXQ4, VZS9, VZX7, VZX8
			-	-	-	1	-	-----	QNB2, QWA2, VAG2, VC2, VCF, VCT2, VDE2, VEP9, VKB2, VWC, VWE, VXF VXG, VZC2
			-	-	-	1	-	-----	1980112 VCT
			-	-	-	-	1	-----	HA2, LKE, LX2, LXE4, LXE5, LXE8, LXQ4, LXU, PA2, PAE2, PKT, PXD8 PXE8, PXU, QA2, QA4, QAA2, QAE2, QC1, QC3, QC5, QC6, QC9, QCDW, QCE2 QCWT, QE, QHB4, QK4, QKA4, QMAH, QME0, QNE2, QNR2, QNRV, QWC, QXAC QXB7, QXB9, QXE4, QXE6, QXE7, QXE8, QXE9, QXEM, QXER, QXQ4, QXU QXUM, QXUZ, QZA2, QZAV, QZD, QZHW, QZN2, QZNR, QZRL, SC1, SCK4, SCM SCM1, SCM3, SCMV, SE1C, SHQ4, SHQ5, SHQ6, SM32, SMC1, SMD3, SME0 SME6, SMX2, SWA4, SXB7, SXBG, SXE4, SXEM, SXQ4, VN27, VSB9, VSD9 VX8, VXB7, VXB9, VXE2, VXE7, VXE8, VXE9, VZX7, VZX8



E-17-2

FUEL TANK(2)



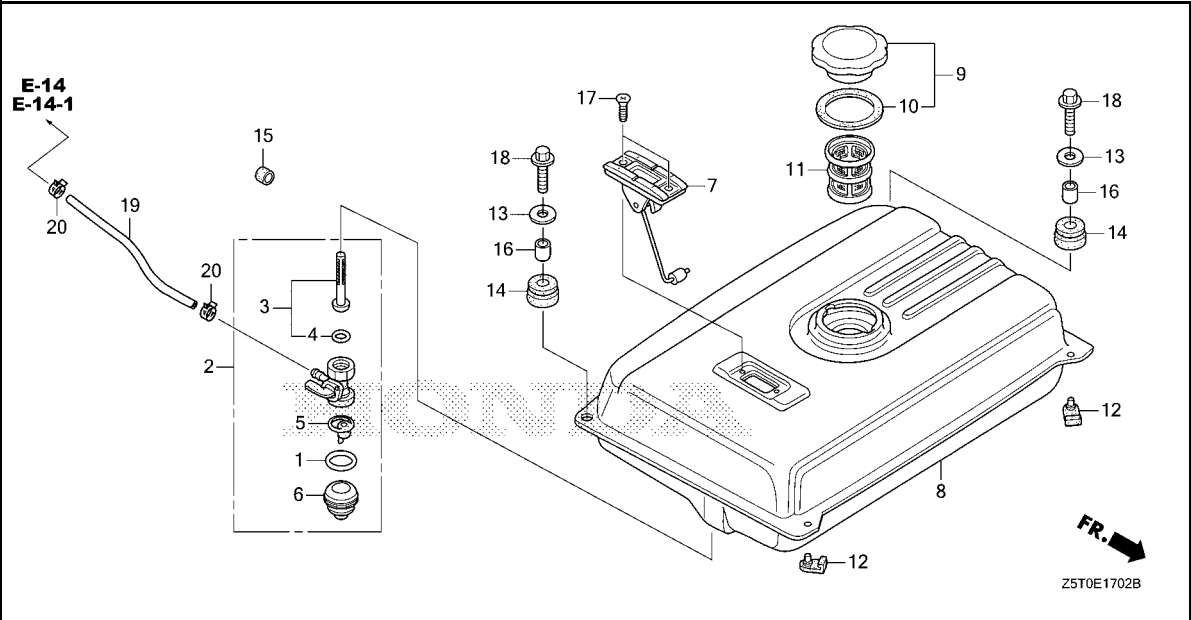
Ref. No.	L.O.N.	(Relative ref. Number) Description	F.R.T.

Ref. No.	Part No.	Description	Reqd. QTY					Serial No.	Parts catalogue code
			GX 390 UT1	GX 390 UT2	GX 390 RT1	GX 390 RT2	GX 390 UT2X		
1	16173-001-004	O-RING	-	-	1	1	-	ED6, EDD2, EDS6, EDT6, PXM8, VAA1, VAA8, VWS	
2	16950-ZB4-015	COCK ASSY., FUEL	-	-	1	1	-	ED6, EDD2, EDS6, EDT6, PXM8, VAA1, VAA8, VWS	
3	16952-ZB4-005	SCREEN SET, FUEL STRAINER	-	-	1	1	-	ED6, EDD2, EDS6, EDT6, PXM8, VAA1, VAA8, VWS	
4	16958-397-771	O-RING, 9.0X1.3	-	-	1	1	-	ED6, EDD2, EDS6, EDT6, PXM8, VAA1, VAA8, VWS	
5	16959-471-831	FILTER, CUP	-	-	1	1	-	ED6, EDD2, EDS6, EDT6, PXM8, VAA1, VAA8, VWS	
6	16967-GA6-671	CUP, FUEL STRAINER	-	-	1	1	-	ED6, EDD2, EDS6, EDT6, PXM8, VAA1, VAA8, VWS	
7	17505-ZB2-003	METER ASSY., FUEL	-	-	1	-	-	VAA1, VAA8	
	17630-Z8V-003		-	-	-	1	-	ED6, EDD2, PXM8, VWS	
	17505-ZB2-003		-	-	-	1	-	1217561 VAA1	
8	17510-ZC2-000ZJ	TANK COMP., FUEL	-	-	-	-	-	VAA1, VAA8	
	R280	POWER RED	-	-	1	1	-	ED6, EDD2, PXM8	
	17510-ZB4-000ZA	*NH31* MCKINLEY WHITE	-	-	-	1	-	ED6, EDD2, PXM8	
	17510-ZB4-000ZC	*NH1* BLACK	-	-	-	1	-	VAA1, VAA8	
9	17620-899-013	CAP COMP., FUEL FILLER	-	-	1	-	-	ED6, EDD2, PXM8, VWS	
	17620-899-800		-	-	-	1	-	VAA1	
10	17631-899-000	PACKING, FUEL FILLER CAP	-	-	1	1	-	ED6, EDD2, PXM8, VAA1, VAA8, VWS	
11	17672-899-000	FILTER, FUEL	-	-	1	1	-	VAA1, VAA8	
	17670-899-000	FILTER COMP., FUEL	-	-	-	1	-	ED6, EDD2, PXM8, VWS	
12	50319-ZB2-000	RUBBER, TANK MOUNTING	-	-	2	2	-	ED6, EDD2, EDS6, EDT6, PXM8, VAA1, VAA8	
13	90503-898-000	WASHER, TANK CUSHION	-	-	2	2	-	ED6, EDD2, PXM8, VAA1, VAA8	
			-	-	-	4	-	VWS	
14	90851-898-000	RUBBER, TANK CUSHION	-	-	2	2	-	ED6, EDD2, PXM8, VAA1, VAA8	
			-	-	-	4	-	VWS	
15	90854-ZB2-000	RUBBER, FUEL(9X15X10)	-	-	1	1	-	VAA1, VAA8	



E-17-2

FUEL TANK(2)

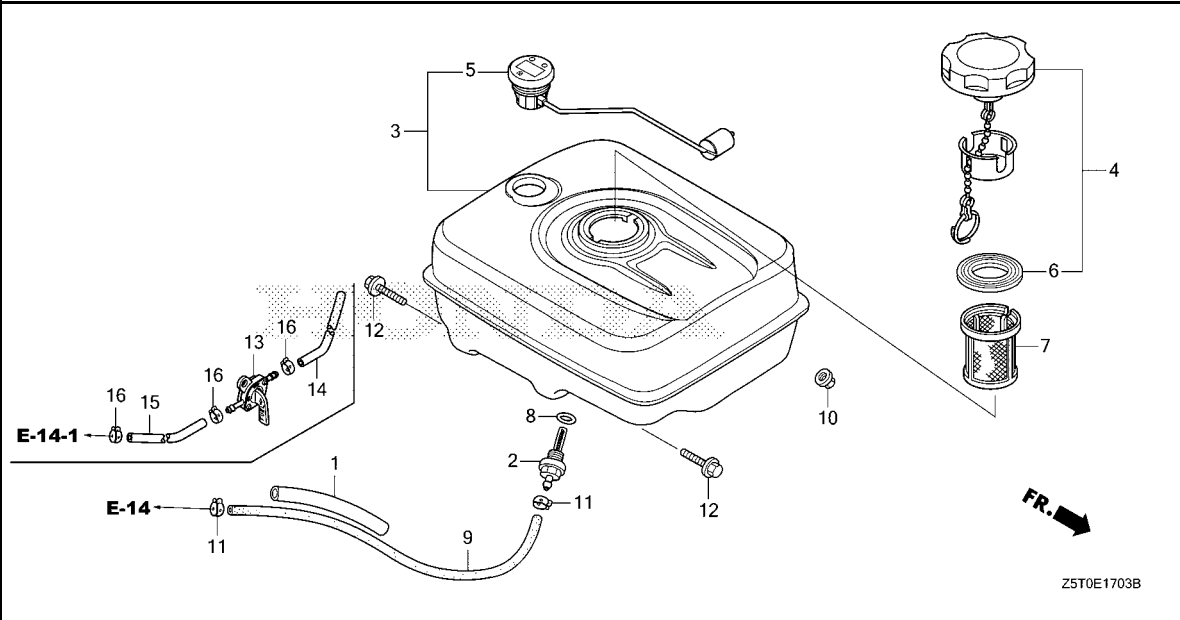


Ref. No.	Part No.	Description	Reqd. QTY					Serial No.	Parts catalogue code
			GX 390 UT1	GX 390 UT2	GX 390 RT1	GX 390 RT2	GX 390 UT2X		
16	91551-898-000	COLLAR, TANK CUSHION.....	-	-	2	2	-	ED6, EDD2, PXM8, VAA1, VAA8	
17	93600-05010-0A	SCREW, FLAT, 5X10.....	-	-	2	4	-	VWS VAA1, VAA8 ED6, EDD2	
18	95701-06022-00	BOLT, FLANGE, 6X22.....	-	-	2	2	-	1217561 VAA1	
19	91424-Z5F-812	TUBE, FUEL, 4.5X190(FKM).....	-	-	-	1	-	ED6, EDD2, PXM8, VAA1, VAA8	
	91424-Z5L-812	TUBE, FUEL, 4.5X165(FKM).....	-	-	-	1	-	ED6	
	91424-Z4J-802	TUBE, FUEL, 4.5X150(FKM).....	-	-	-	1	-	1545857 VWS	
	91424-ZBG-V41	TUBE, FUEL, 4.5X700(FKM).....	-	-	-	1	-	3318727 EDS6, EDT6	
	91424-ZBH-811	TUBE, FUEL, 4.2X165(FKM).....	-	-	-	1	-	3319672 PXM8	
	91424-Z4J-803	TUBE, FUEL, 4.5X150(FKM).....	-	-	-	1	-	1545858 VWS	
	91424-ZBG-V42	TUBE, FUEL, 4.5X700(FKM).....	-	-	-	1	-	3318728 EDS6, EDT6	
20	95002-40800-08	CLAMP, TUBE(D8).....	-	-	-	2	-	3319673 PXM8	
								ED6, EDD2, EDS6, EDT6, PXM8, VWS	



E-17-3

FUEL TANK(3)

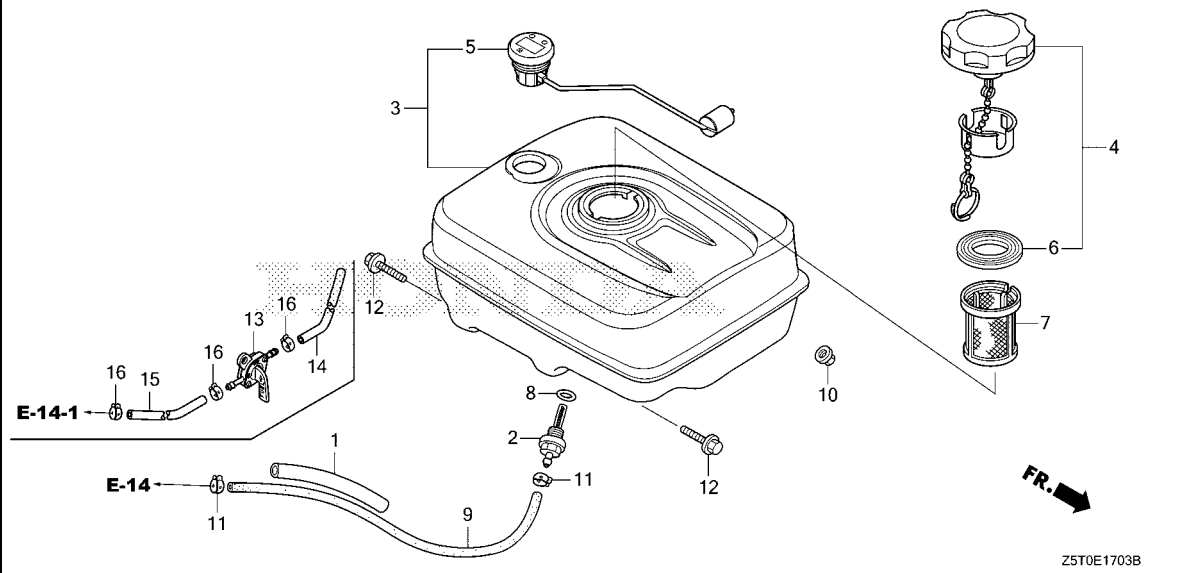


Ref. No.	L.O.N.	(Relative ref. Number) Description	F.R.T.

Ref. No.	Part No.	Description	Reqd. QTY					Serial No.	Parts catalogue code
			GX 390 UT1	GX 390 UT2	GX 390 RT1	GX 390 RT2	GX 390 UT2X		
1	16854-ZH8-000	RUBBER, SUPPORTER(107MM).....	-	1	-	-	1	SCC,SCM2,SE2C,STC4,VM2	
2	16955-ZE1-010	JOINT, FUEL TANK.....	-	1	-	-	1	LFU,SCC,SCM2,SE2C,STC4,VM2	
3	17500-Z5T-810ZC	TANK ASSY., FUEL(GAUGE)	-	-	-	-	-	VM2	
	17500-Z5T-810ZB	*NH1*.....BLACK	-	1	-	-	-	3415613 LFU,SCC,SCM2,STC4	
	17500-Z5T-810ZC	*NH31*.....MCKINLEY WHITE	-	1	-	-	-	3415613 LFU,SCM2	
	17500-Z5T-811ZB	*NH1*.....BLACK	-	1	-	-	-	3415614 LFU,SCC,SCM2,STC4	
	17500-Z5T-811ZC	*NH31*.....MCKINLEY WHITE	-	1	-	-	-	3415614 LFU,SCM2	
	17500-Z5T-811ZB	*NH1*.....BLACK	-	-	-	-	1	LFU,SCC,SE2C,STC4	
	17500-Z5T-811ZC	*NH31*.....MCKINLEY WHITE	-	-	-	-	1	LFU,SE2C	
4	17620-Z4H-020	CAP COMP., FUEL FILLER.....	-	1	-	-	-	1219065 STC4,VM2	
	17620-Z4H-910	-	1	-	-	-	3415325 LFU,SCC,SCM2	
	17620-Z4H-030	-	1	-	-	-	1219066 1517215 STC4,VM2	
	17620-Z4H-900	-	1	-	-	-	1517216 VM2	
	17620-Z4H-910	-	1	-	-	-	1517216 2999999 STC4	
	17620-Z4H-911	-	1	-	-	-	3000001 3415325 STC4	
	17620-Z4H-920	-	1	-	-	-	3415326 LFU,SCC,SCM2,STC4	
5	17630-Z5T-003	GAUGE ASSY., FUEL.....	-	1	-	-	-	LFU,SCC,SE2C,STC4	
	17630-Z5T-003	-	-	-	-	1	LFU,VM2	
	17630-Z5T-003	-	-	-	-	1	LFU,SCC,SE2C,STC4	
6	17631-Z0T-801	PACKING, FUEL FILLER CAP (39X62X3)(RADICON)	-	1	-	-	1	LFU,SCC,SCM2,SE2C,STC4,VM2	
	17631-Z1T-800	PACKING, FUEL FILLER CAP (39X62X3)(TOYOSHA)	-	1	-	-	-	LFU,SCC,SCM2,STC4	
7	17672-Z4H-000	FILTER, FUEL.....	-	1	-	-	1	LFU,SCC,SCM2,SE2C,STC4,VM2	
8	91353-671-004	O-RING, 14MM(NOK).....	-	1	-	-	1	LFU,SCC,SCM2,SE2C,STC4,VM2	
9	91424-Z5T-003	TUBE, FUEL, 4.5X235(FKM).....	-	1	-	-	-	VM2	
	91424-Z5T-003	-	1	-	-	-	3300148 SCC,SCM2,STC4	

E-17-3

FUEL TANK(3)

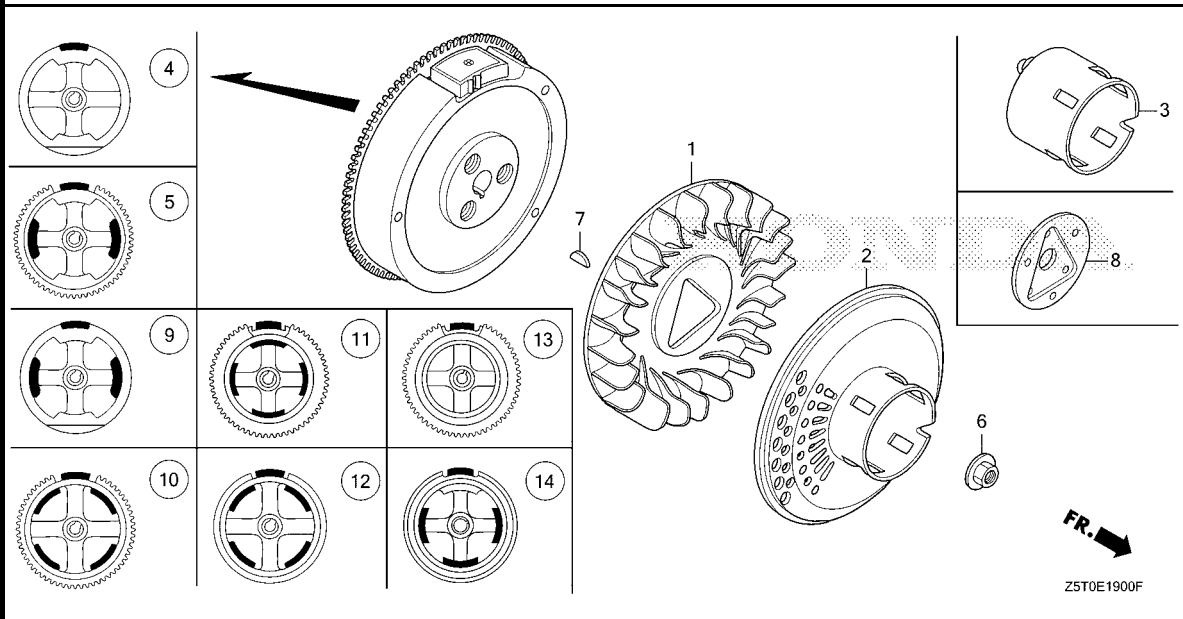


Ref. No.	Part No.	Description	Reqd. QTY					Serial No.	Parts catalogue code
			GX 390 UT1	GX 390 UT2	GX 390 RT1	GX 390 RT2	GX 390 UT2X		
(9)	91424-Z5T-013	TUBE, FUEL, 4.5X235(FKM).....	-	1	-	-	-	3300149 -----	SCC,SCM2,STC4
10	94050-08000	NUT, FLANGE, 8MM.....	-	2	-	-	1	-----	SCC,SE2C,STC4
11	95002-40800-08	CLAMP, TUBE(D8).....	-	1	-	-	1	-----	LFU
			-	2	-	-	1	-----	SCC,SCM2,STC4,VM2
			-	-	-	-	2	-----	SCC,SE2C,STC4
12	95701-08025-00	BOLT, FLANGE, 8X25.....	-	2	-	-	2	-----	LFU,SCC,SCM2,SE2C,STC4,VM2
13	16960-YA0-015	COCK ASSY., FUEL(DRAIN).....	-	1	-	-	1	-----	LFU
14	91424-Z9K-811	TUBE, FUEL, 4.2X110(FKM).....	-	1	-	-	-	3316209	LFU
	91424-Z9K-812	-	1	-	-	-	3316210	LFU
			-	-	-	-	1	-----	LFU
15	91424-ZBC-811	TUBE, FUEL, 4.2X120(FKM).....	-	1	-	-	-	3316209	LFU
	91424-ZBC-812	-	1	-	-	-	3316210	LFU
			-	-	-	-	1	-----	LFU
16	95002-40800-08	CLAMP, TUBE(D8).....	-	3	-	-	3	-----	LFU



E-19

FLYWHEEL



Ref. No. L.O.N. (Relative ref. Number) Description F.R.T.

Ref. No.	Part No.	Description	Reqd. QTY					Serial No.	Parts catalogue code
			GX 390 UT1	GX 390 UT2	GX 390 RT1	GX 390 RT2	GX 390 UT2X		
1	19511-ZE3-000	FAN, COOLING.....	1	1	1	1	1	-----	ED6, EDD2, EDS6, EDT6, EZD2, EZDM, EZDS, EZDV, HA2, LFU, LKE, LX2, LXE4, LXE5, LXE8, LXQ4, LXU, PA2, PAE2, PKT, PXD8, PXE8, PXM8, PXU, QA2, QA26, QA4, QAA2, QAA6, QAE2, QAE4, QAE6, QAGN, QAW, QC1, QC2, QC3, QC4, QC5, QC6, QC9, QCDW, QCE2, QCWT, QDW9, QE, QHB4, QK4, QKA4, QMAH, QME0, QME2, QNB2, QNE2, QNE6, QNE8, QNGN, QNR2, QNR6, QNRV, QTT, QWA2, QWA4, QWC, QWC4, QWT2, QXAC, QXB7, QXB9, QXC4, QXC6, QXC9, QXCU, QXE4, QXE6, QXE7, QXE8, QXE9, QXEM, QXER, QXH9, QXQ4, QXS2, QXS4, QXU, QXUM, QXUZ, QZA2, QZAV, QZC, QZD, QZDS, QZHW, QZME, QZN2, QZND, QZNH, QZNR, QZRL, QZRV, QZX9, QZXR, SC1, SCC, SCK4, SCM, SCM1, SCM2, SCM3, SCMV, SDQ5, SE1C, SE2C, SHQ2, SHQ4, SHQ5, SHQ6, SM32, SMC1, SMC2, SMD3, SME0, SME6, SMES, SMSC, SMX2, SMXC, SNC, STC4, SWA2, SWA4, SXB7, SXB9, SXBG, SXE4, SXE8, SXEM, SXQ4, SXS6, SXU, SZEC, VA2, VAA1, VAA8, VAC2, VAG2, VC2, VC2N, VCF, VCN2, VCT, VCT2, VD2, VDE2, VK2, VKB2, VKE4, VKER, VKX4, VKXR, VM2, VN27, VNG1, VPE5, VPX2, VPX4, VSD4, VSD7, VTH4, VWC, VWE, VWS, VWS1, WWT4, VX8, VXB7, VXE2, VXE6, VXE7, VXE8, VXF, VXG, VXQ4, VXT, VZC2, VZS9, VZWE, VZX7, VZX8, VZXZ
	19511-ZK6-880	1	1	1	1	1	-----	VEP9, VPE9, VPP9, VPX9, VS49, VSB9, VSD9, VWC9, VXB9, VXE9, VZP9



E-19

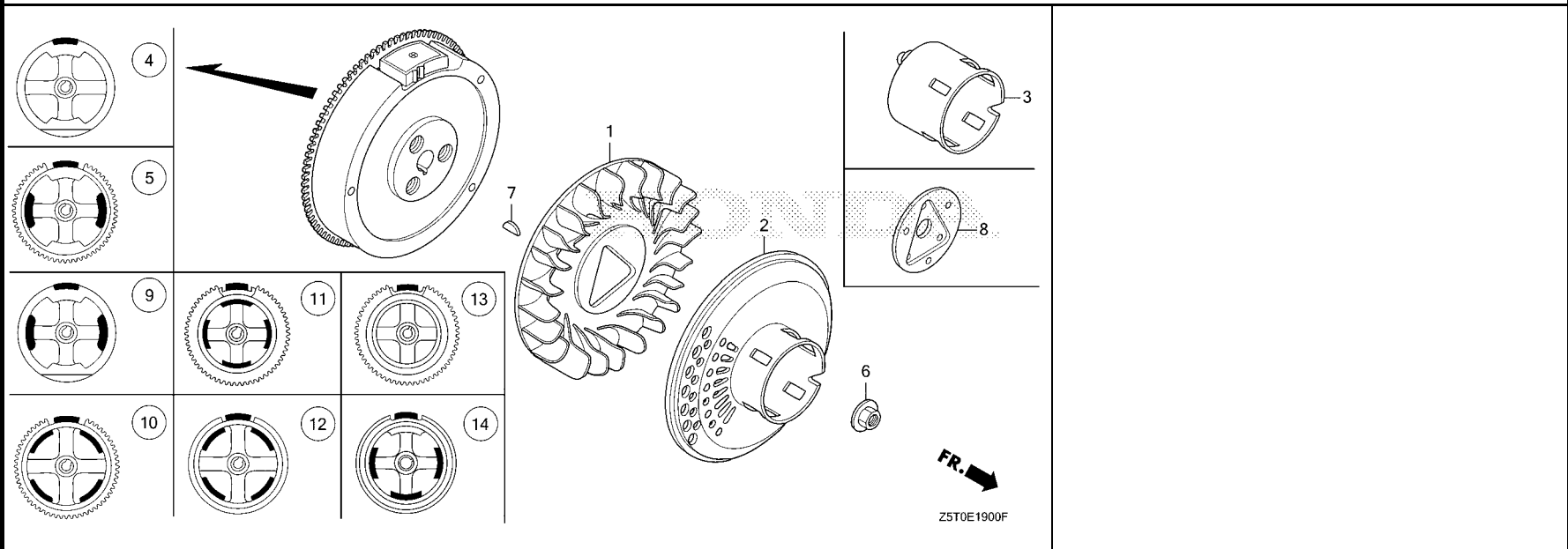
FLYWHEEL

Ref. No.	Part No.	Description	Reqd. QTY					Serial No.	Parts catalogue code
			GX 390 UT1	GX 390 UT2	GX 390 RT1	GX 390 RT2	GX 390 UT2X		
2	28450-ZE3-W11	PULLEY COMP., STARTER (SCREEN GRID)	1	1	1	1	1	-----	HA2, LX2, LXE4, LXE5, LXE8, LXQ4, LXU, PA2, PAE2, PXD8, PXE8, PXM8 PXU, QA2, QA26, QA4, QAE2, QAE4, QAE6, QAGN, QAW, QC1, QC2, QC3, QC9 QCDW, QCE2, QCWT, QDW9, QE, QHB4, QKA4, QME0, QME2, QNB2, QNE2, QNE6 QNE8, QNGN, QNR2, QNR6, QNRV, QWA2, QWC, QWT2, QXAC, QXB7, QXB9 QXC4, QXC6, QXC9, QXCU, QXE4, QXE6, QXE7, QXE8, QXE9, QXEM, QXER QXH9, QXQ4, QXU, QXUM, QXUZ, QZC, QZDS, QZNH, QZNR, QZX9, SCC, SCK4 SCMV, SDQ5, SE1C, SE2C, SHQ2, SHQ4, SHQ5, SHQ6, SMC1, SMC2, SME0 SME6, SMES, SMX2, STC4, SWA2, SWA4, SXB7, SXB9, SXE4, SXE8, SXQ4 SXU, VA2, VAA1, VAA8, VAC2, VAG2, VD2, VDE2, VK2, VKB2, VM2, VN27 VNG1, VSD7, VWT4, VX8, VXB7, VXE2, VXE6, VXE7, VXE8, VXQ4
			-	1	-	-	-	-----	1701277 QZME
			-	1	-	-	-	-----	1823202 QZA2, QZAV, QZD, QZHW, QZN2, QZRV, QZXR, SZEC, VZX7, VZX8
3	28451-ZE3-W01	PULLEY, STARTER	1	1	1	1	-	-----	ED6, EDD2, EDS6, EDT6, EZD2, EZDM, EZDS, EZDV, LFU, PKT, QAA2, QAA6 QC4, QC5, QC6, QK4, QMAH, QTT, QWA4, QWC4, QXS2, QXS4, QZND, QZRL SC1, SCM, SCM1, SCM2, SCM3, SM32, SMD3, SMSC, SMXC, SNC, SXBG, SXEM SXS6, VC2, VC2N, VCF, VCN2, VCT, VCT2, VEP9, VKE4, VKER, VKX4, VKXR VPE5, VPE9, VPP9, VPX2, VPX4, VPX9, VS49, VSB9, VSD4, VSD9, VTH4 VWC, VWC9, VWE, VWS, VWS1, VXB9, VXE9, VXF, VXG, VXT, VZC2, VZP9 VZS9, VZWE, VZXZ
			-	1	-	-	-	-----	1701278 QZME
			-	1	-	-	-	-----	1823203 QZA2, QZAV, QZD, QZHW, QZN2, QZRV, QZXR, SZEC, VZX7, VZX8
			-	-	-	-	1	-----	LFU, PKT, QAA2, QC5, QC6, QK4, QMAH, QZA2, QZAV, QZD, QZHW, QZN2 QZRL, QZXR, SC1, SCM, SCM1, SCM3, SM32, SMD3, SXBG, SXEM, VSB9, VSD9 VXB9, VXE9, VZX7, VZX8
4	31100-ZE3-701	FLYWHEEL COMP.	1	-	1	-	-	-----	HA2, LX2, LXQ4, LXU, PA2, PXU, QA2, QA26, QA4, QAA2, QAA6, QAW, QDW9 QE, QHB4, QK4, QTT, QWA4, QWT2, QXB7, QXB9, QXC4, QXC6, QXC9, QXCU QXQ4, QXS2, QXS4, QXU, QXUZ, SHQ2, SHQ4, SMD3, SNC, SWA2, SWA4, SXB7 SXB9, SXQ4, SXU, VA2, VAA1, VAC2, VAG2, VD2, VKX4, VNG1, VPX2, VPX4 VPX9, VSD7, VSD9, VWC, VWC9, VX8, VXB7, VXB9, VXG, VXQ4
	31100-ZE3-W01	FLYWHEEL COMP.(SEL-4POLE)	1	-	1	-	-	-----	LKE, PAE2, QAE2, QAE4, QAE6, QC2, QKA4, QME0, QME2, QNB2, QNE2, QNE6 QNE8, QWA2, QXH9, SCK4, SM32, SME0, SME6, STC4, VK2, VKE4, VN27 VTH4
	31100-ZE3-712	FLYWHEEL COMP.(LAMP)	1	-	1	-	-	-----	SMC1, SMC2, VEP9, VM2
	31100-ZE3-U10	FLYWHEEL COMP.(4POLE)	1	-	-	-	-	-----	QWC4
	31110-Z5T-000	FLYWHEEL COMP.	-	1	-	1	1	-----	EDT6, HA2, LX2, LXQ4, LXU, PA2, PKT, PXU, QA2, QA26, QA4, QAA2, QAA6 QC1, QC3, QC4, QC5, QC9, QCDW, QCWT, QDW9, QE, QHB4, QK4, QTT, QWA4 QWT2, QXAC, QXB7, QXB9, QXC4, QXC6, QXC9, QXCU, QXQ4, QXS4, QXU QXUM, QXUZ, SC1, SCM, SCMV, SE1C, SHQ4, SHQ5, SMD3, SMX2, SMXC, SNC SWA4, SXB7, SXQ4, SXU, VA2, VAA1, VAG2, VKX4, VKXR, VPX4, VPX9, VSB9 VSD7, VSD9, VWC, VWC9, VWS, VWS1, VX8, VXB7, VXB9, VXF, VXG, VXQ4 VXT
5	31100-ZE3-722	FLYWHEEL COMP.(SEL-LAMP)	1	-	1	-	-	-----	LXE4, LXE8, PXD8, PXE8, QXE4, QXE6, QXE7, QXE8, QXE9, QXER, SXE4 SXE8, VAA8, VC2, VC2N, VCN2, VDE2, VKB2, VPE5, VPE9, VS49, VSD4, VWE VWT4, VXE2, VXE6, VXE7, VXE8, VXE9
	31100-ZE3-W21	FLYWHEEL COMP.(SEL-18A)	1	-	-	-	-	-----	QNR2, QNR6
	31110-Z5T-820	FLYWHEEL COMP.(SEL-LAMP)	-	1	-	1	1	-----	EDS6, LXE4, LXE5, LXE8, PXE8, PXM8, QXE4, QXE6, QXE7, QXE8, QXE9 QXEM, QXER, SXE4, SXE8, SXEM, SXS6, VC2, VCF, VCT, VCT2, VDE2, VKB2 VPE5, VPE9, VPP9, VSD4, VWE, VWT4, VXE2, VXE7, VXE8, VXE9
6	90201-ZE3-790	NUT, SPECIAL, 16MM	1	-	1	-	-	-----	
	90201-ZE3-V00		-	1	-	1	1	-----	
7	90741-ZE2-000	KEY, SPECIAL WOODRUFF, 25X18	1	1	1	1	1	-----	
8	19512-ZE2-000	PLATE, COOLING FAN SETTING	1	1	-	-	1	-----	LKE
9	31110-Z5T-810	FLYWHEEL COMP.(LAMP)	-	1	-	1	1	-----	QWC, SDQ5, SHQ6, SMC1, VEP9, VM2



E-19

FLYWHEEL

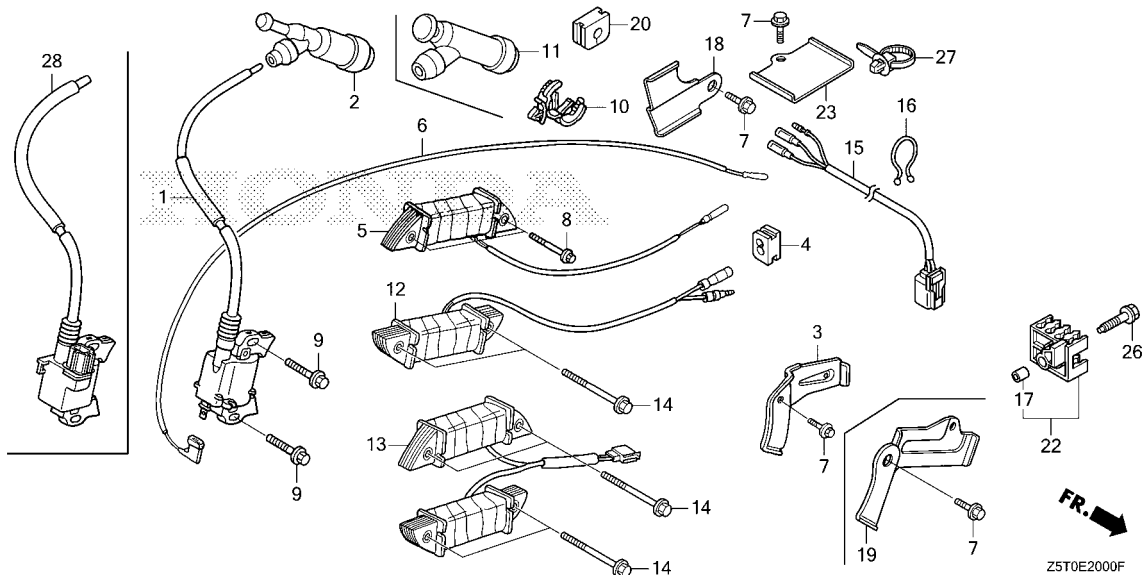


Ref. No.	Part No.	Description	Reqd. QTY					Serial No.	Parts catalogue code
			GX 390 UT1	GX 390 UT2	GX 390 RT1	GX 390 RT2	GX 390 UT2X		
10	31110-Z5T-840	FLYWHEEL COMP.(SEL-4POLE)	-	1	-	1	1	-----	ED6, EDD2, LKE, PAE2, PXD8, QAE2, QAE4, QAE6, QAGN, QC2, QCE2, QKA4, QMAH, QME0, QNB2, QNE2, QNE8, QWA2, SCC, SCK4, SCM1, SCM2, SCM3, SE2C, SM32, SME0, SME6, SMES, SMSC, STC4, SXBG, VK2, VKE4, VKER, VN27
	31110-Z5T-860	FLYWHEEL COMP.(SEL-18A)	-	1	-	1	1	-----	LFU, QNGN, QNR2, QNR6, QNRV
11	31110-Z5T-W00	FLYWHEEL COMP.(SEL)	-	1	-	1	1	-----	EZD2, EZDM, EZDS, EZDV, QZA2, QZAV, QZME, QZX9, QZXR, SZEC, VZC2, VZP9, VZWE, VZX7, VZX8, VZXZ
12	31110-Z5T-830	FLYWHEEL COMP.(4POLE)	-	1	-	-	1	-----	QC6, QWC4
13	31110-Z5T-W41	FLYWHEEL COMP.(SEL-16POLE)	-	1	-	-	1	-----	QZHW, QZN2, QZND, QZNH, QZNR, QZRL
14	31110-Z1C-W00	FLYWHEEL COMP.	-	1	-	-	1	-----	QZC, QZD, QZDS, QZRV, VZS9



E-20

IGNITION COIL(1)



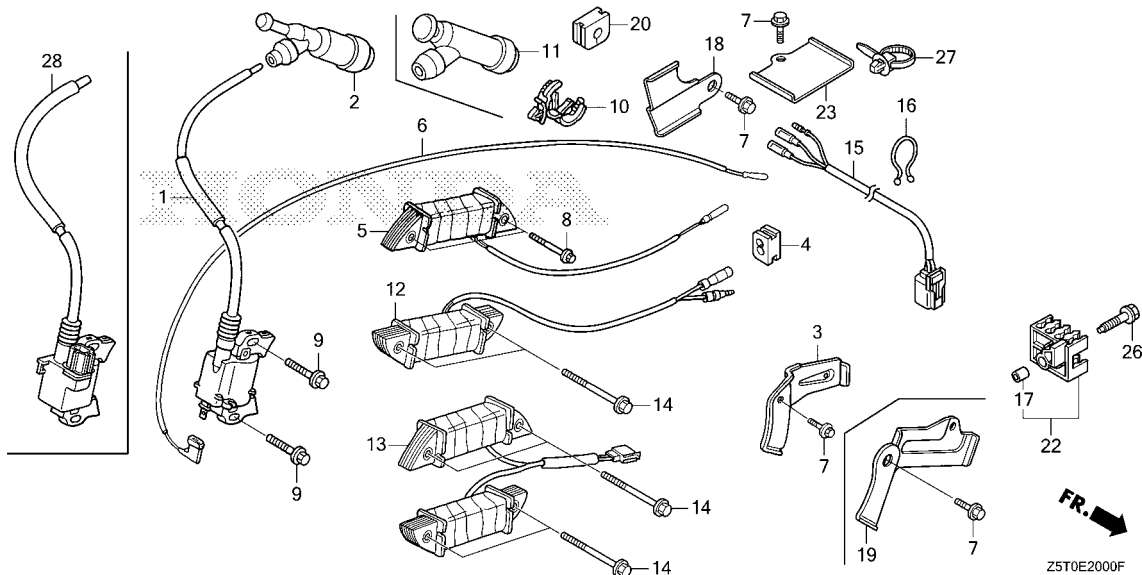
Ref. L.O.N. (Relative ref. Number) F.R.T.
 No. Description

Ref. No.	Part No.	Description	Reqd. QTY					Serial No.	Parts catalogue code
			GX 390 UT1	GX 390 UT2	GX 390 RT1	GX 390 RT2	GX 390 UT2X		
1	30500-Z1C-023	COIL ASSY., IGNITION.....	1	-	-	-	-	HA2, LKE, LX2, LXE4, LXQ4, PA2, PAE2, PXD8, QA4, QAE2, QAE4, QAE6, QC2, QE, QHB4, QKA4, QME0, QME2, QNE2, QNE6, QNE8, QWC4, QXB7, QXB9, QXC4, QXC6, QXC9, QXE4, QXE6, QXE7, QXE9, QXER, QXH9, QXS2, QXS4, QXUZ, SCK4, SHQ2, SM32, SMC1, SMC2, SMD3, SME0, SME6, SNC, STC4, SWA2, SWA4, SXB7, SXB9, SXE4, SXU, VA2, VC2N, VKX4, VM2, VN27, VNG1, VPX2, VPX4, VPX9, VSD7, VSD9, VXB7, VXB9, VXE2, VXE6, VXE7, VXE9, VXG, VXQ4	
	30500-Z1C-013	1	-	-	-	-	1486604	LXE8, LXU, PXE8, PXU, QA2, QA26, QAA2, QAA6, QAW, QDW9, QK4, QTT, QWA4, QWT2, QXC9, QXE8, QXQ4, QXU, SHQ4, SXE8, SXQ4, VX8, VXE8
	30500-Z1C-023	1	-	-	-	-	1486605	LXE8, LXU, PXE8, PXU, QA2, QA26, QAA2, QAA6, QAW, QDW9, QK4, QTT, QWA4, QWT2, QXC9, QXE8, QXQ4, QXU, SHQ4, SXE8, SXQ4, VX8, VXE8
2	30700-Z1C-811	CAP ASSY., NOISE SUPPRESSOR (NGK Y-EZD)	1	-	1	-	-	HA2, LKE, LX2, LXE4, LXE8, LXQ4, LXU, PA2, PAE2, PXD8, PXE8, PXU, QA2, QA26, QA4, QAA2, QAA6, QAE2, QAE4, QAE6, QAW, QC2, QDW9, QE, QHB4, QK4, QKA4, QME0, QME2, QNB2, QNE2, QNE6, QNE8, QTT, QWA2, QWA4, QWC4, QWT2, QXB7, QXB9, QXC4, QXC6, QXC9, QXC9, QXC9, QXE4, QXE6, QXE7, QXE8, QXE9, QXER, QXH9, QXQ4, QXS2, QXS4, QXU, QXUZ, SCK4, SHQ2, SHQ4, SM32, SMC1, SMC2, SMD3, SME0, SME6, SNC, STC4, SWA2, SWA4, SXB7, SXB9, SXE4, SXE8, SXQ4, SXU, VA2, VAA1, VAA8, VAC2, VAG2, VC2, VC2N, VCN2, VD2, VDE2, VEP9, VK2, VKB2, VKE4, VKX4, VM2, VN27, VNG1, VPE5, VPE9, VPX2, VPX4, VPX9, VS49, VSD4, VSD7, VSD9, VVC, VVC9, VVE, VWT4, VX8, VXB7, VXB9, VXE2, VXE6, VXE7, VXE8, VXE9, VXG, VXQ4	
	30700-Z1C-813	-	1	-	1	-	LXE5, QAGN, QC1, QC3, QC4, QC5, QC6, QC9, QCDW, QCE2, QCWT, QMAH, QXAC, SC1, SCC, SCM, SCM1, SCM2, SCM3, SMES, SMSC, SXBG, SXEM, SXS6, VCF, VPP9, VSB9, VWS1, VXF, VXT, VZS9, VZXZ	



E-20

IGNITION COIL(1)



Ref. No.	Part No.	Description	Reqd. QTY					Serial No.	Parts catalogue code
			GX 390 UT1	GX 390 UT2	GX 390 RT1	GX 390 RT2	GX 390 UT2X		
(2)	30700-Z1C-811	CAP ASSY., NOISE SUPPRESSOR (NGK Y-EZD)	-	1	-	1	-	2068439	ED6, EDD2, EDS6, EDT6, EZD2, EZDM, EZDS, EZDV, HA2, LKE, LX2, LXE4, LXE8, LXQ4, LXU, PA2, PAE2, PKT, PXD8, PXE8, PXM8, PXU, QA2, QA4, QAA2, QAE2, QC2, QDW9, QE, QHB4, QK4, QKA4, QME0, QNB2, QNE2, QTT, QWA4, QWC, QWC4, QWT2, QXB7, QXB9, QXC4, QXC6, QXC9, QXCU, QXE4, QXE6, QXE7, QXE8, QXE9, QXEM, QXER, QXQ4, QXS4, QXU, QXUM, QXUZ, QZA2, QZAV, QZC, QZD, QZDS, QZME, QZRV, QZXR, SCK4, SDQ5, SHQ4, SHQ6, SM32, SMC1, SMD3, SME0, SME6, SMX2, SMXC, SNC, STC4, SWA4, SXB7, SXE4, SXE8, SXQ4, SXU, SZEC, VC2, VCT, VCT2, VDE2, VEP9, VKE4, VKER, VKX4, VKXR, VM2, VN27, VPE9, VPX9, VSD4, VSD9, VWC, VWC9, VWE, VWS, VWT4, VX8, VXB7, VXB9, VXE2, VXE7, VXE8, VXE9, VXG, VZX7, VZX8
	30700-Z1C-813	-	1	-	1	-	2068440	ED6, EDD2, EDS6, EDT6, EZD2, EZDM, EZDS, EZDV, HA2, LKE, LX2, LXE4, LXE8, LXQ4, LXU, PA2, PAE2, PKT, PXD8, PXE8, PXM8, PXU, QA2, QA4, QAA2, QAE2, QC2, QDW9, QE, QHB4, QK4, QKA4, QME0, QNB2, QNE2, QTT, QWA4, QWC, QWC4, QWT2, QXB7, QXB9, QXC4, QXC6, QXC9, QXCU, QXE4, QXE6, QXE7, QXE8, QXE9, QXEM, QXER, QXQ4, QXS4, QXU, QXUM, QXUZ, QZA2, QZAV, QZC, QZD, QZDS, QZME, QZRV, QZXR, SCK4, SDQ5, SHQ4, SHQ6, SM32, SMC1, SMD3, SME0, SME6, SMX2, SMXC, SNC, STC4, SWA4, SXB7, SXE4, SXE8, SXQ4, SXU, SZEC, VC2, VCT, VCT2, VDE2, VEP9, VKE4, VKER, VKX4, VKXR, VM2, VN27, VPE9, VPX9, VSD4, VSD9, VWC, VWC9, VWE, VWS, VWT4, VX8, VXB7, VXB9, VXE2, VXE7, VXE8, VXE9, VXG, VZX7, VZX8
	30700-Z1C-811	-	1	-	-	-	-	QA26, QAA6, QAE4, QAE6, QNE8, QZX9, VA2, VSD7, VXQ4, QWA2, VAA1, VAG2, VK2, VKB2, VPE5, VPX4, VZC2, VZP9, VZWE

E-20

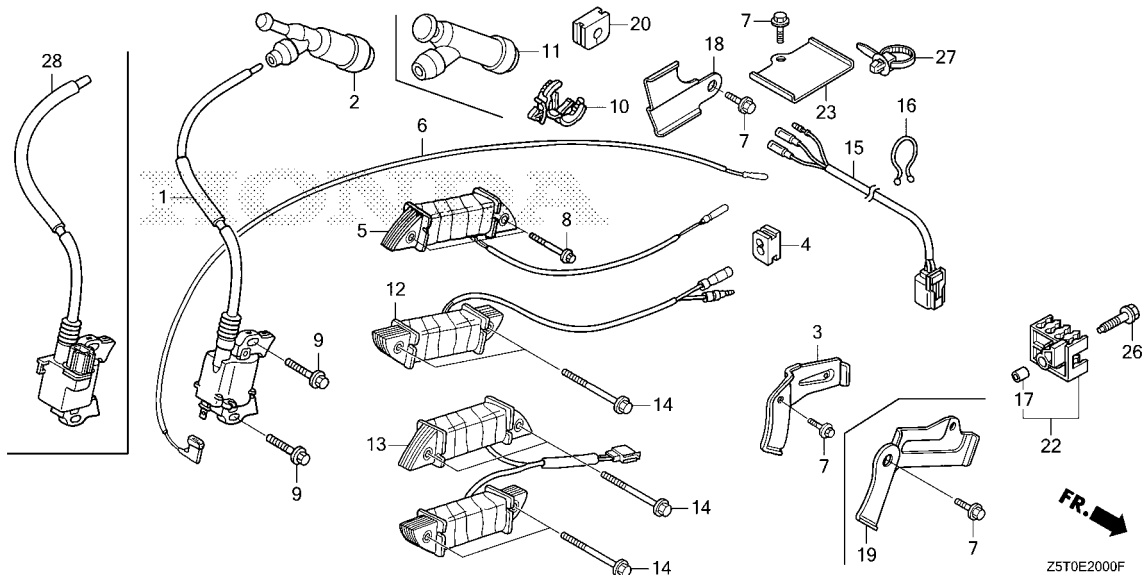
IGNITION COIL(1)

Ref. No.	Part No.	Description	Reqd. QTY					Serial No.	Parts catalogue code
			GX 390 UT1	GX 390 UT2	GX 390 RT1	GX 390 RT2	GX 390 UT2X		
(2)	30700-Z1C-813	CAP ASSY., NOISE SUPPRESSOR (NGK Y-EZD)	-	-	-	-	1	-----	HA2, LKE, LX2, LXE4, LXE5, LXE8, LXQ4, LXU, PA2, PAE2, PKT, PXD8, PXE8, PXU, QA2, QA4, QAA2, QAE2, QC1, QC3, QC5, QC6, QC9, QCDW, QCE2, QCWT, QE, QHB4, QK4, QKA4, QMAH, QME0, QNE2, QWC, QXAC, QXB7, QXB9, QXE4, QXE6, QXE7, QXE8, QXE9, QXEM, QXER, QXQ4, QXU, QXUM, QXUZ, QZA2, QZAV, QZD, QZXR, SC1, SCC, SCK4, SCM, SCM1, SCM3, SCMV, SE1C, SE2C, SHQ4, SHQ6, SM32, SMC1, SMD3, SME0, SME6, SMX2, STC4, SWA4, SXB7, SXBG, SXE4, SXEM, SXQ4, VN27, VSB9, VSD9, VX8, VXB7, VXB9, VXE2, VXE7, VXE8, VXE9, VZX7, VZX8
3	31511-ZE3-000	CLAMPER, CORD	1	1	1	1	1	-----	ED6, EDD2, EDS6, LKE, LXE4, LXE5, LXE8, PAE2, PXD8, PXE8, PXM8, QAE2, QAE4, QAE6, QAGN, QC2, QC6, QCE2, QKA4, QMAH, QME0, QME2, QNB2, QNE2, QNE6, QNE8, QWA2, QWC, QWC4, QXE4, QXE6, QXE7, QXE8, QXE9, QXEM, QXER, QXH9, SCC, SCK4, SCM1, SCM2, SCM3, SDQ5, SE2C, SHQ6, SM32, SMC1, SMC2, SME0, SME6, SMES, SMSC, STC4, SXBG, SXE4, SXE8, SXEM, SXS6, VAA8, VC2, VC2N, VCN2, VCT2, VDE2, VEP9, VK2, VKB2, VKE4, VKER, VM2, VN27, VPE5, VPE9, VPP9, VS49, VSD4, VTH4, VWE, VXE2, VXE6, VXE7, VXE8, VXE9
4	31512-ZE2-000	GROMMET, CORD	1	1	1	1	1	-----	ED6, EDD2, EDS6, EDT6, EZD2, EZDM, EZDS, EZDV, HA2, LKE, LX2, LXE4, LXE5, LXE8, LXQ4, LXU, PA2, PAE2, PKT, PXD8, PXE8, PXM8, PXU, QA2, QA26, QA4, QAA2, QAA6, QAE2, QAE4, QAE6, QAGN, QAW, QC1, QC2, QC3, QC4, QC5, QC6, QC9, QCDW, QCE2, QCWT, QDW9, QE, QHB4, QK4, QKA4, QMAH, QME0, QME2, QNB2, QNE2, QNE6, QNE8, QTT, QWA2, QWA4, QWC, QWC4, QWT2, QXAC, QXB7, QXB9, QXC4, QXC6, QXC9, QXCU, QXE4, QXE6, QXE7, QXE8, QXE9, QXEM, QXER, QXH9, QXQ4, QXS2, QXS4, QXU, QXUM, QXUZ, QZA2, QZAV, QZC, QZD, QZDS, QZME, QZRV, QZX9, QZXR, SC1, SCC, SCK4, SCM, SCM1, SCM2, SCM3, SCMV, SDQ5, SE1C, SE2C, SHQ2, SHQ4, SHQ6, SM32, SMC1, SMC2, SMD3, SME0, SME6, SMES, SMSC, SMX2, SMXC, SNC, STC4, SWA2, SWA4, SXB7, SXB9, SXBG, SXE4, SXE8, SXEM, SXQ4, SXS6, SXU, SZEC, VA2, VAA1, VAA8, VAC2, VAG2, VC2, VC2N, VCF, VCN2, VCT, VCT2, VD2, VDE2, VEP9, VK2, VKB2, VKE4, VKER, VKX4, VKXR, VM2, VN27, VNG1, VPE5, VPE9, VPP9, VPX2, VPX4, VPX9, VS49, VSB9, VSD4, VSD7, VSD9, VTH4, VWC, VMC9, VWE, VWS, VWS1, VWT4, VX8, VXB7, VXB9, VXE2, VXE6, VXE7, VXE8, VXE9, VXF, VXG, VXQ4, VXT, VZC2, VZP9, VZS9, VZWE, VZX7, VZX8, VZXZ
5	31630-ZE2-842	COIL ASSY., CHARGE(3A)	1	1	1	1	1	-----	PAE2, QAE2, QAE4, QAE6, QAGN, QC2, QCE2, SCM3, VEP9, VK2, VKE4, VKER, VN27
	31630-ZE1-013	COIL ASSY., CHARGE(1A)	1	-	1	1	-	-----	EDS6, LXE4, LXE8, PXD8, PXE8, PXM8, QXE4, QXE6, QXE7, QXE8, QXE9, QXER, SXE4, SXE8, SXS6, VAA8, VC2, VC2N, VCN2, VCT2, VDE2, VKB2, VPE5, VPE9, VPP9, VS49, VSD4, VWE, VXE2, VXE6, VXE7, VXE8, VXE9
	30595-Z5T-W01	COIL ASSY., POWER	-	1	-	1	1	-----	EZD2, EZDM, EZDS, EZDV, QZA2, QZAV, QZC, QZD, QZDS, QZME, QZRV, QZX9, QZXR, SZEC, VZC2, VZP9, VZS9, VZWE, VZX7, VZX8, VZXZ
	31630-ZE1-013	COIL ASSY., CHARGE(1A)	-	1	-	-	1	-----	LXE4, LXE5, LXE8, PXE8, QWC, QXE4, QXE6, QXE7, QXE8, QXE9, QXEM, QXER, SXE4, SXE8, SXEM, VXE2, VXE7, VXE8, VXE9
	31630-ZF5-801	-	-	-	1	-	-----	EDD2
6	36101-ZE2-701	CORD, STOP SWITCH(430MM)	1	-	1	-	-	-----	HA2, LKE, LX2, LXE4, LXE8, LXQ4, LXU, PA2, PAE2, PXD8, PXE8, PXU, QA2, QA26, QA4, QAA2, QAA6, QAE2, QAE4, QAE6, QAW, QC2, QDW9, QE, QHB4, QK4, QKA4, QME0, QME2, QNB2, QNE2, QNE6, QNE8, QTT, QWA2, QWA4, QWC4, QWC4, QWT2, QXB7, QXB9, QXC4, QXC6, QXC9, QXCU, QXE4, QXE6, QXE7, QXE8, QXE9, QXER, QXH9, QXQ4, QXS2, QXS4, QXU, QXUZ, SCK4, SHQ2, SHQ4, SM32, SMC1, SMC2, SMD3, SME0, SME6, SNC, STC4, SWA2, SWA4, SXB7, SXB9, SXE4, SXE8, SXQ4, SXU, VA2, VAA1, VAA8, VAC2, VAG2, VC2, VCN2, VCN2, VD2, VDE2, VEP9, VK2, VKB2, VKE4, VKX4, VM2, VN27, VNG1, VPE5, VPE9, VPX2, VPX4, VPX9, VS49, VSD4, VSD7, VSD9, VTH4, VWC9, VWT4, VX8, VXB7, VXB9, VXE2, VXE6, VXE7, VXB9, VXE2, VXE6, VXE7, VXE8, VXE9, VXG, VXQ4
	36101-ZE3-800	CORD, STOP SWITCH(470MM)	-	-	1	-	-	-----	VWC, VWE



E-20

IGNITION COIL(1)



Ref. No.	Part No.	Description	Reqd. QTY					Serial No.	Parts catalogue code
			GX 390 UT1	GX 390 UT2	GX 390 RT1	GX 390 RT2	GX 390 UT2X		
7	90013-883-000	BOLT, FLANGE, 6X12(CT200).....	1	1	1	1	2	-----	ED6, EDD2, EDS6, LKE, LXE4, LXE5, LXE8, PAE2, PXD8, PXE8, PXM8, QAE2, QAE4, QAE6, QAGN, QC2, QC6, QCE2, QKA4, QMAH, QME0, QME2, QNB2, QNE2, QNE6, QNE8, QWA2, QWC, QWC4, QXE4, QXE6, QXE7, QXE8, QXE9, QXEM, QXER, QXH9, QZD, SCC, SCK4, SCM1, SCM2, SCM3, SDQ5, SHQ6, SM32, SMC1, SMC2, SME0, SME6, SMES, SMSC, STC4, SXBG, SXE4, SXE8, SXEM, SXS6, VAA8, VC2, VC2N, VCN2, VCT2, VDE2, VEP9, VK2, VKB2, VKE4, VKER, VM2, VN27, VPE5, VPE9, VPP9, VS49, VSD4, VTH4, VWE, VXE2, VXE6, VXE7, VXE8, VXE9
			-	2	-	-	3	-----	QZA2, QZAV, QZC, QZD, QZDS, QZRV, QZXR, VZS9, VZX7, VZX8
			-	3	-	-	-	-----	QZA2, QZAV, QZME, QZX9, QZXR, SZEC, VZX7, VZX8
			-	-	-	3	-	-----	EZD2, EZDM, EZDS, EZDV, VZC2, VZP9, VZWE, VZXZ
			-	-	-	-	1	-----	LKE, LXE4, LXE5, LXE8, PAE2, PXD8, PXE8, QAE2, QC6, QCE2, QKA4, QMAH, QME0, QNE2, QWC, QXE4, QXE6, QXE7, QXE8, QXE9, QXEM, QXER, SCC, SCK4, SCM1, SCM3, SE2C, SHQ6, SM32, SMC1, SME0, SME6, STC4, SXBG, SXE4, SXEM, VN27, VXE2, VXE7, VXE8, VXE9
8	90014-ZE6-000	BOLT, FLANGE, 6X35(CT200).....	2	-	2	2	-	-----	EDD2, EDS6, EZDM, EZDS, EZDV, LXE4, LXE8, PXD8, PXE8, PXM8, QXE4, QXE6, QXE7, QXE8, QXE9, QXER, SXE4, SXE8, SXS6, VAA8, VC2, VC2N, VCN2, VCT2, VDE2, VKB2, VPE5, VPE9, VPP9, VS49, VSD4, VWE, VXE2, VXE6, VXE7, VXE8, VXE9, VZXZ
	90012-888-000	BOLT, FLANGE, 6X40(CT200).....	2	-	2	-	-	-----	PAE2, QAE2, QAE4, QAE6, QC2, VEP9, VK2, VKE4, VN27
	90014-ZE6-000	BOLT, FLANGE, 6X35(CT200).....	-	2	-	2	-	1008745	EZD2, QZA2, QZAV, QZX9, QZXR, VZC2, VZP9, VZWE, VZX7, VZX8
			-	2	-	-	-	1008746	EZD2, QZA2, QZAV, QZX9, QZXR, VZC2, VZP9, VZWE, VZX7, VZX8
			-	-	-	-	-	-----	LXE4, LXE5, LXE8, PXE8, QWC, QXE4, QXE6, QXE7, QXE8, QXE9, QXEM, QXER, QZC, QZD, QZDS, QZME, QZRV, SXE4, SXE8, SXEM, SZEC, VXE2, VXE7, VXE8, VXE9, VZS9
	90012-888-000	BOLT, FLANGE, 6X40(CT200).....	-	-	-	2	-	-----	QAGN
	90014-ZE6-000	BOLT, FLANGE, 6X35(CT200).....	-	-	-	-	2	-----	LXE4, LXE5, LXE8, PXE8, QWC, QXE4, QXE6, QXE7, QXE8, QXE9, QXEM, QXER, QZA2, QZAV, QZD, QZXR, SXE4, SXEM, VXE2, VXE7, VXE8, VXE9, VZX7, VZX8

E-20

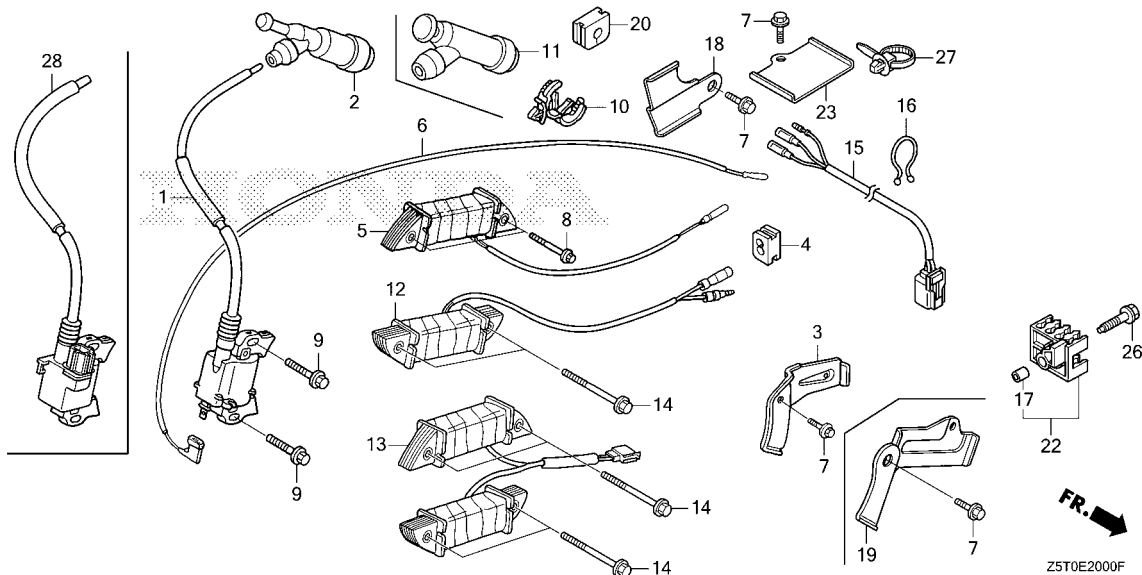
IGNITION COIL(1)

Ref. No.	Part No.	Description	Reqd. QTY					Serial No.	Parts catalogue code	
			GX 390 UT1	GX 390 UT2	GX 390 RT1	GX 390 RT2	GX 390 UT2X			
(8)	90012-888-000	BOLT, FLANGE, 6X40(CT200).....	-	-	-	-	2	-----	-----	PAE2, QAE2
9	90015-883-000	BOLT, FLANGE, 6X28(CT200).....	2	2	2	2	2	-----	-----	ED6, EDD2, EDS6, EDT6, EZD2, EZDM, EZDS, EZDV, HA2, LKE, LX2, LXE4, LXE5, LXE8, LXQ4, LXU, PA2, PAE2, PKT, PXD8, PXE8, PXM8, PXU, QA2, QA26, QA4, QAA2, QAA6, QAE2, QAE4, QAE6, QAGN, QAW, QC1, QC2, QC3, QC4, QC5, QC6, QC9, QCDW, QCE2, QCWT, QDW9, QE, QHB4, QK4, QKA4, QMAH, QME0, QME2, QNB2, QNE2, QNE6, QNE8, QTT, QWA2, QWA4, QWC, QWC4, QWT2, QXAC, QXB7, QXB9, QXC4, QXC6, QXC9, QXCU, QXE4, QXE6, QXE7, QXE8, QXE9, QXEM, QXER, QXH9, QXQ4, QXS2, QXS4, QXU, QXUM, QXUZ, QZA2, QZAV, QZC, QZD, QZDS, QZME, QZRV, QZX9, QZXR, SC1, SCC, SCK4, SCM, SCM1, SCM2, SCM3, SCMV, SDQ5, SE1C, SE2C, SHQ2, SHQ4, SHQ6, SM32, SMC1, SMC2, SMD3, SME0, SME6, SMES, SMSC, SMX2, SMXC, SNC, STC4, SWA2, SWA4, SXB7, SXB9, SXBG, SXE4, SXE8, SXEM, SXQ4, SXS6, SXU, SZEC, VA2, VAA1, VAA8, VAC2, VAG2, VC2, VC2N, VCF, VCN2, VCT, VCT2, VD2, VDE2, VEP9, VK2, VKB2, VKE4, VKER, VKX4, VKXR, VM2, VN27, VNG1, VPE5, VPE9, VPP9, VPX2, VPX4, VPX9, VS49, VSB9, VSD4, VSD7, VSD9, VTH4, VMC, VMC9, VWE, VWS, VWS1, VWT4, VX8, VXB7, VXB9, VXE2, VXE6, VXE7, VXE8, VXE9, VXF, VXG, VXQ4, VXT, VZC2, VZP9, VZS9, VZWE, VZX7, VZX8, VZXZ
10	90684-ZA0-601	CLIP, HARNESS	1	-	1	1	-	-----	-----	ED6, EDT6, HA2, LX2, LXQ4, LXU, PA2, PXU, QA2, QA26, QA4, QAA2, QAA6, QAW, QDW9, QK4, QTT, QWA2, QWA4, QWC4, QWT2, QXB7, QXB9, QXC4, QXC6, QXC9, QXCU, QXQ4, QXS2, QXS4, QXU, QXUZ, SDQ5, SMD3, SME6, SNC, SWA2, SWA4, SXB7, SXB9, SXQ4, SXU, VA2, VAA1, VAC2, VAG2, VD2, VEP9, VKX4, VKXR, VM2, VNG1, VPX2, VPX4, VPX9, VSD7, VSD9, VWC, VMC9, VWS, VWS1, VX8, VXB7, VXB9, VXF, VXG, VXQ4, VXT
			-	1	-	-	1	-----	-----	HA2, LX2, LXQ4, LXU, PA2, PKT, PXU, QA2, QA26, QA4, QAA2, QAA6, QC1, QC3, QC4, QC5, QC6, QC9, QCDW, QCWT, QDW9, QE, QHB4, QK4, QWA4, QWC, QWC4, QWT2, QXAC, QXB7, QXB9, QXC4, QXC6, QXC9, QXCU, QXQ4, QXS4, QXU, QXUM, QXUZ, SC1, SCM, SCMV, SE1C, SHQ4, SHQ6, SMC1, SMD3, SME6, SMX2, SMXC, SNC, SWA4, SXB7, SXQ4, SXU, VA2, VM2, VSB9, VSD7, VSD9, VX8, VXB7, VXB9, VXQ4
11	30700-ZF5-013	CAP ASSY., NOISE SUPPRESSOR ..	-	-	1	-	-	-----	-----	VTH4
12	31510-ZE3-003	COIL ASSY., LAMP(12V/25W)	1	1	-	1	1	-----	-----	EDD2, SDQ5, SHQ6, SMC1, SMC2
	31510-ZE1-811	1	1	-	1	-	-----	-----	ED6, VM2
	31630-Z5T-W11	COIL ASSY., CHARGE(2.9A)	-	1	-	1	1	-----	-----	EZDM, EZDS, EZDV, QZA2, QZAV, QZME, SZEC
	31630-Z5T-W01	COIL ASSY., CHARGE(0.9A)	-	1	-	1	1	-----	-----	QZX9, QZXR, VZC2, VZP9, VZWE, VZX7, VZX8, VZXZ
	31510-Z5T-W21	COIL ASSY., LAMP(12V-50W)	-	-	-	1	-	-----	-----	EZD2
13	31630-ZE2-861	COIL ASSY., CHARGE(10A)	1	-	1	1	-	-----	-----	LKE, QKA4, QME0, QME2, QNB2, QNE2, QNE6, QNE8, QWA2, QWC4, QXH9, SCK4, SM32, SME0, SME6, SMES, STC4, VTH4
			-	1	-	-	1	-----	-----	LKE, PXD8, QC6, QKA4, QMAH, QME0, QNE2, QNE8, QWC4, SCC, SCK4, SCM1, SCM2, SE2C, SM32, SME0, SME6, SMSC, STC4, SXBG
14	90012-888-000	BOLT, FLANGE, 6X40(CT200)	4	-	-	-	-	-----	-----	LKE, QKA4, QME0, QME2, QNE2, QNE6, QNE8, QWC4, QXH9, SCK4, SM32, SME0, SME6, STC4
	90014-ZE6-000	BOLT, FLANGE, 6X35(CT200)	2	-	-	-	-	-----	-----	SMC1, SMC2, VM2
	90017-883-000	BOLT, FLANGE, 6X32(CT200)	-	2	-	2	-	-----	1008745	QZX9, QZXR, VZC2, VZP9, VZWE, VZX7, VZX8
	90012-888-000	BOLT, FLANGE, 6X40(CT200)	-	2	-	2	-	-----	1008746	QZX9, QZXR, VZC2, VZP9, VZWE, VZX7, VZX8
			-	4	-	-	-	-----	-----	LKE, PXD8, QC6, QKA4, QMAH, QME0, QNE2, QNE8, QWC4, SCC, SCK4, SCM1, SCM2, SM32, SME0, SME6, SMSC, STC4, SXBG
			-	2	-	-	-	-----	-----	PAE2, QAE2, QAE4, QAE6, QC2, QCE2, QZA2, QZAV, QZME, SCM3, SHQ6, SMC1, SZEC, VM2, VN27
			-	-	4	-	-	-----	-----	QNB2, QWA2, VTH4
	90017-883-000	BOLT, FLANGE, 6X32(CT200)	-	-	-	2	2	-----	-----	QZXR, VZX7, VZX8, VZXZ
	90012-888-000	BOLT, FLANGE, 6X40(CT200)	-	-	-	2	-	-----	-----	ED6, EDD2, EZD2, EZDM, EZDS, EZDV, SDQ5, VEP9, VK2, VKE4, VKER
			-	-	-	4	-	-----	-----	QNB2, QWA2, SMES
			-	-	-	-	4	-----	-----	LKE, PXD8, QC6, QKA4, QMAH, QME0, QNE2, SCC, SCK4, SCM1, SE2C, SM32, SME0, SME6, STC4, SXBG
			-	-	-	-	2	-----	-----	QCE2, QZA2, QZAV, SCM3, SHQ6, SMC1, VN27



E-20

IGNITION COIL(1)



Ref. No.	Part No.	Description	Reqd. QTY					Serial No.	Parts catalogue code
			GX 390 UT1	GX 390 UT2	GX 390 RT1	GX 390 RT2	GX 390 UT2X		
15	32110-Z5K-810	HARNESS ASSY., ENGINE WIRE (SEL)	-	1	-	1	-	LXE5, QAGN, QCE2, QMAH, SCM1, SCM2, SCM3, SMES, SMSC, SXBG, SXEM, SXS6, VCF, VPP9	
	32110-Z5K-000	HARNESS ASSY., ENGINE WIRE ...	-	1	-	1	-	QC1, QC3, QC4, QC5, QC6, QC9, QCDW, QCWT, QXAC, SC1, SCM, SMXC, VSB9, VWS1, VXF, VXT	
	32110-Z5K-800	-	1	-	-	1	QE, QHB4, SCMV, SE1C, SHQ4, SHQ6, SMC1	
	32110-Z5K-820	HARNESS ASSY., ENGINE WIRE (SEL)	-	1	-	-	1	SCC	
	32110-Z5T-000	HARNESS ASSY., ENGINE WIRE ...	-	1	-	-	-	1517215 HA2, LX2, LXQ4, LXU, PA2, PKT, PXU, QA2, QA26, QA4, QAA2, QAA6, QDW9, QK4, QWA4, QWC, QWC4, QWT2, QXB7, QXB9, QXC4, QXC6, QXC9, QXCU, QXQ4, QXS4, QXU, QXUM, QXUZ, SMD3, SME6, SMX2, SNC, SWA4, SXB7, SXQ4, SXU, VA2, VM2, VSD7, VSD9, VX8, VXB7, VXB9, VXQ4	
	32110-Z5T-810	HARNESS ASSY., ENGINE WIRE (SEL)	-	1	-	-	-	1517375 LKE, LXE4, LXE8, PAE2, PXD8, PXE8, QAE2, QAE4, QAE6, QC2, QKA4, QME0, QNE2, QNE8, QXE4, QXE6, QXE7, QXE8, QXE9, QXEM, QXER, SCK4, SM32, SME0, STC4, SXE4, SXE8, VN27, VXE2, VXE7, VXE8, VXE9	
	32110-Z5K-000	HARNESS ASSY., ENGINE WIRE ...	-	1	-	-	-	1517216 HA2, LX2, LXQ4, LXU, PA2, PKT, PXU, QA2, QA26, QA4, QAA2, QAA6, QDW9, QK4, QWA4, QWC, QWC4, QWT2, QXB7, QXB9, QXC4, QXC6, QXC9, QXCU, QXQ4, QXS4, QXU, QXUM, QXUZ, SMD3, SME6, SMX2, SNC, SWA4, SXB7, SXQ4, SXU, VA2, VM2, VSD7, VSD9, VX8, VXB7, VXB9, VXQ4	
	32110-Z5K-810	HARNESS ASSY., ENGINE WIRE (SEL)	-	1	-	-	-	1517376 LKE, LXE4, LXE8, PAE2, PXD8, PXE8, QAE2, QAE4, QAE6, QC2, QKA4, QME0, QNE2, QNE8, QXE4, QXE6, QXE7, QXE8, QXE9, QXEM, QXER, SCK4, SM32, SME0, STC4, SXE4, SXE8, VN27, VXE2, VXE7, VXE8, VXE9	
	32110-Z5T-810	-	-	-	1	-	1517807 EDD2, EDS6, PXM8, QNB2, VC2, VCT, VCT2, VDE2, VK2, VKB2, VKE4, VKER, VPE5, VPE9, VSD4, VVE, VWT4	
	32110-Z5T-000	HARNESS ASSY., ENGINE WIRE ...	-	-	-	1	-	1521292 ED6, EDT6, QTT, QWA2, VAA1, VAG2, VEP9, VKX4, VKXR, VPX4, VPX9, VWC, VWC9, VWS, VXG	
	32110-Z5T-800	-	-	-	1	-	1655330 SDQ5	

2

E-20

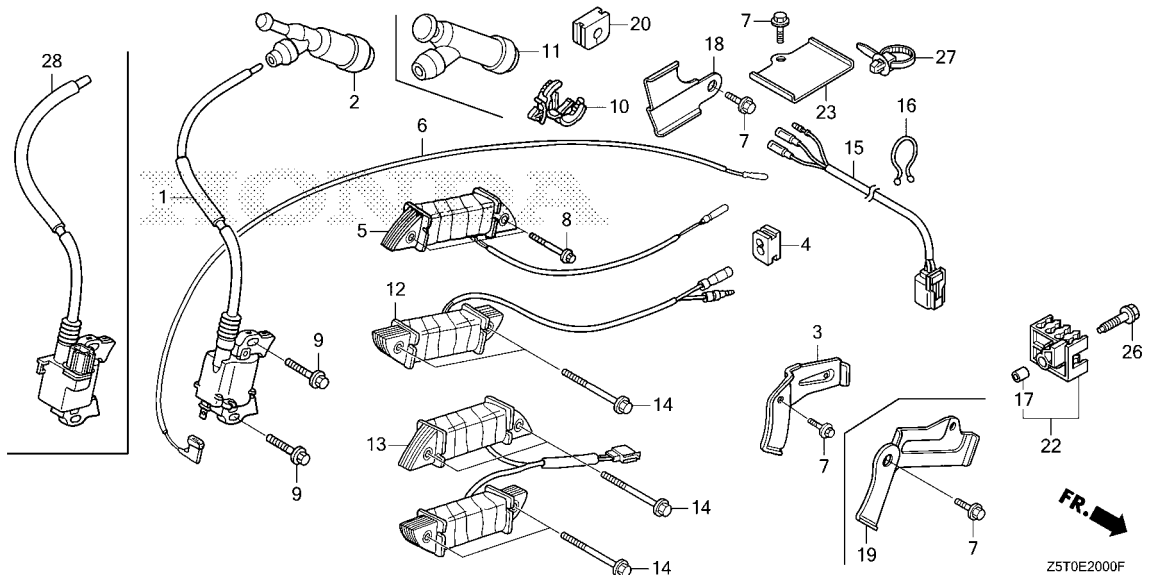
IGNITION COIL(1)

Ref. No.	Part No.	Description	Reqd. QTY					Serial No.	Parts catalogue code
			GX 390 UT1	GX 390 UT2	GX 390 RT1	GX 390 RT2	GX 390 UT2X		
15)	32110-Z5K-810	HARNESS ASSY., ENGINE WIRE (SEL)	-	-	-	1	-	1517808	----- EDD2, EDS6, PXM8, QNB2, VC2, VCT, VCT2, VDE2, VK2, VKB2, VKE4, VKER VPE5, VPE9, VSD4, VWE, VWT4
	32110-Z5K-000	HARNESS ASSY., ENGINE WIRE ...	-	-	-	1	-	1521293	----- ED6, EDT6, QTT, QWA2, VAA1, VAG2, VEP9, VKX4, VKXR, VPX4, VPX9, VWC VWC9, VWS, VXG
	32110-Z5K-800	-	-	-	1	-	1655331	----- SDQ5
	32110-Z5K-000	-	-	-	1	-	-----	----- HA2, LX2, LXQ4, LXU, PA2, PKT, PXU, QA2, QA4, QAA2, QC1, QC3, QC5, QC6 QC9, QCDW, QCWT, QK4, QWC, QXAC, QXB7, QXB9, QXQ4, QXU, QXUM, QXUZ SC1, SCM, SMD3, SME6, SMX2, SWA4, SXB7, SXQ4, VSB9, VSD9, VX8, VXB7 VXB9
	32110-Z5K-810	HARNESS ASSY., ENGINE WIRE (SEL)	-	-	-	-	1	-----	----- LKE, LXE4, LXE5, LXE8, PAE2, PXD8, PXE8, QAE2, QCE2, QKA4, QMAH QME0, QNE2, QXE4, QXE6, QXE7, QXE8, QXE9, QXEM, QXER, SCK4, SCM1 SCM3, SE2C, SM32, SME0, STC4, SXBG, SXE4, SXEM, VN27, VXE2, VXE7 VXE8, VXE9
16	90630-751-000	CLIP, PURSE LOCK	-	1	-	1	1	-----	----- EDD2, EDS6, LKE, LXE4, LXE5, LXE8, PAE2, PXD8, PXE8, PXM8, QAE2 QAE4, QAE6, QAGN, QC2, QCE2, QKA4, QMAH, QME0, QNB2, QNE2, QNE8 QXE4, QXE6, QXE7, QXE8, QXE9, QXEM, QXER, SCK4, SCM1, SCM3, SE2C SM32, SME0, SMSC, STC4, SXBG, SXE4, SXE8, SXEM, SXS6, VC2, VCF, VCT VCT2, VDE2, VK2, VKB2, VKE4, VKER, VN27, VPE5, VPE9, VPP9, VSD4, VWE VWT4, VXE2, VXE7, VXE8, VXE9
17	17239-ZE1-000	COLLAR B, AIR CLEANER	-	1	-	1	-	-----	----- EZD2, EZDM, EZDS, EZDV, QZME, VZP9, VZWE
18	30596-Z5T-W00	BRACKET B, HARNESS	-	1	-	1	1	-----	----- EZD2, EZDM, EZDS, EZDV, QZA2, QZAV, QZC, QZD, QZDS, QZME, QZRV, QZX9 QZXR, SZEC, VZC2, VZP9, VZS9, VZWE, VZX7, VZX8, VZXZ
19	31511-Z5T-W00	CLAMPER, CORD	-	1	-	1	1	-----	----- EZD2, EZDM, EZDS, EZDV, QZA2, QZAV, QZME, QZX9, QZXR, SZEC, VZC2 VZP9, VZWE, VZX7, VZX8, VZXZ
20	31512-Z5T-W00	GROMMET, CORD	-	1	-	1	1	-----	----- EZD2, EZDM, EZDS, EZDV, QZA2, QZAV, QZC, QZD, QZDS, QZME, QZRV, QZX9 QZXR, SZEC, VZC2, VZP9, VZS9, VZWE, VZX7, VZX8, VZXZ
22	32111-Z5T-W00	HOLDER, CONNECTOR	-	1	-	1	-	-----	----- EZD2, EZDM, EZDS, EZDV, QZME, VZP9, VZWE
23	32115-Z5T-W00	BRACKET A, HARNESS	-	1	-	1	1	-----	----- EZD2, EZDM, EZDS, EZDV, QZA2, QZAV, QZC, QZD, QZDS, QZME, QZRV, QZX9 QZXR, SZEC, VZC2, VZP9, VZS9, VZWE, VZX7, VZX8, VZXZ
26	90022-888-010	BOLT, FLANGE, 6X20(CT200)	-	1	-	1	-	-----	----- EZD2, EZDM, EZDS, EZDV, QZME, VZP9, VZWE
27	91541-S0A-003	CLIP, HARNESS BAND(BLACK) (145MM)	-	1	-	1	1	-----	----- EZD2, EZDM, EZDS, EZDV, QZA2, QZAV, QZC, QZD, QZDS, QZME, QZRV, QZX9 QZXR, SZEC, VZC2, VZP9, VZS9, VZWE, VZX8, VZXZ
28	30500-Z5T-003	COIL ASSY., IGNITION	-	1	-	1	1	-----	----- ED6, EDD2, EDS6, EDT6, EZD2, EZDM, EZDS, EZDV, HA2, LKE, LX2, LXE4 LXE5, LXE8, LXQ4, LXU, PA2, PAE2, PKT, PXD8, PXE8, PXM8, PXU, QA2 QA26, QA4, QAA2, QAA6, QAE2, QAE4, QAE6, QAGN, QC1, QC2, QC3, QC4 QC5, QC6, QC9, QCDW, QCE2, QCWT, QDW9, QE, QHB4, QK4, QKA4, QMAH QME0, QNB2, QNE2, QNE8, QTT, QWA2, QWA4, QWC, QWC4, QWT2, QXAC, QXB7 QXB9, QXC4, QXC6, QXC9, QXCU, QXE4, QXE6, QXE7, QXE8, QXE9, QXEM QXER, QXQ4, QXS4, QXU, QXUM, QXUZ, QZA2, QZAV, QZD, QZDS, QZME, QZRV QZX9, QZXR, SC1, SCC, SCK4, SCM, SCM1, SCM2, SCM3, SCMV, SE1C, SE2C SHQ4, SM32, SMC1, SMD3, SME0, SME6, SMSC, SMX2, SMXC, SNC, STC4 SWA4, SXB7, SXBG, SXE4, SXE8, SXEM, SXQ4, SXS6, SXU, VA2, VAA1, VAG2 VC2, VCF, VCT, VCT2, VDE2, VEP9, VK2, VKB2, VKE4, VKER, VKX4, VKXR VM2, VN27, VPE5, VPE9, VPP9, VPX4, VPX9, VSB9, VSD4, VSD7, VSD9, VWC VWC9, VWE, VWS, VWS1, VWT4, VX8, VXB7, VXB9, VXE2, VXE7, VXE8, VXE9 VXF, VXG, VXQ4, VXT, VZC2, VZP9, VZS9, VZWE, VZX7, VZX8, VZXZ
	30500-Z5T-801	-	1	-	1	1	-----	----- SDQ5, SHQ6, SMES



E-20

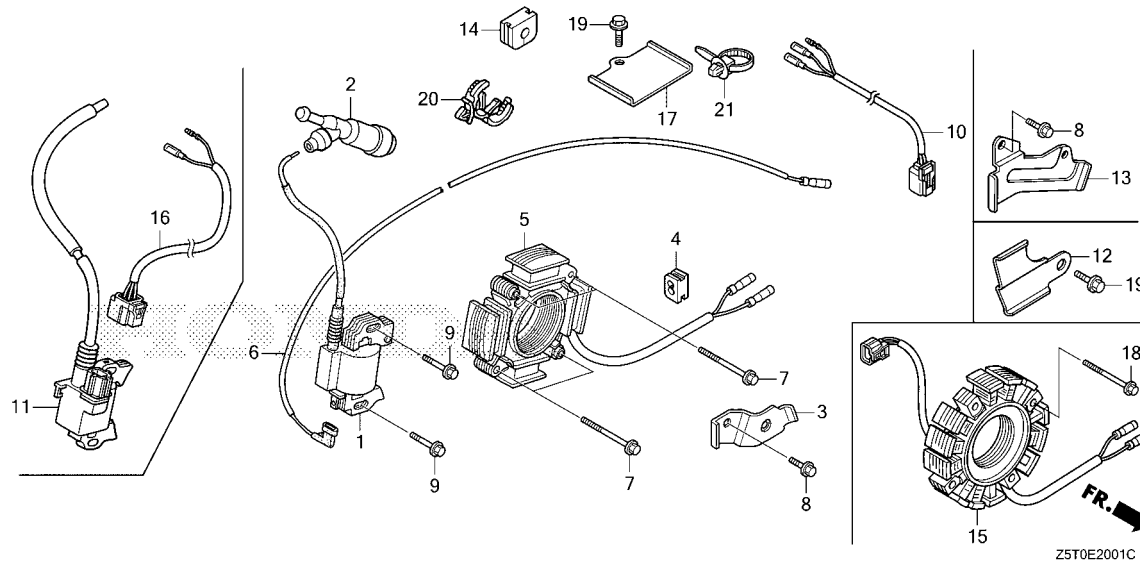
IGNITION COIL(1)



Ref. No.	Part No.	Description	Reqd. QTY					Serial No.	Parts catalogue code
			GX 390 UT1	GX 390 UT2	GX 390 RT1	GX 390 RT2	GX 390 UT2X		
28)	30500-Z5T-004	COIL ASSY., IGNITION(IIDA)...	-	1	-	1	-	LKE, LX2, LXE4, LXE5, LXE8, LXQ4, LXU, PA2, PKT, PXD8, PXE8, PXU, QA4 QAGN, QC1, QC3, QC5, QC6, QCE2, QCWT, QE, QHB4, QK4, QKA4, QMAH, QME0 QWC, QXAC, QXB7, QXB9, QXE6, QXE7, QXE8, QXE9, QXEM, QXER, QXU, QXUM QZA2, QZAV, QZD, QZXR, SC1, SCC, SCK4, SCM, SCM1, SCM3, SHQ4, SM32 SMC1, SMD3, SME0, SME6, SMX2, STC4, SWA4, SXB7, SXBG, SXE4, SXEM SXS6, VN27, VSB9, VSD9, VX8, VXB7, VXB9, VXE2, VXE7, VXE8, VXE9, VXF VXT, VZX7, VZX8	
	30500-Z5T-831	COIL ASSY., IGNITION.....	-	1	-	-	-	QZC, SZEC	
	30500-Z5T-004	COIL ASSY., IGNITION(IIDA)...	-	-	-	-	1	HA2, LKE, LX2, LXE4, LXE5, LXE8, LXQ4, LXU, PA2, PAE2, PKT, PXD8 PXE8, PXU, QA2, QA4, QAA2, QAE2, QC1, QC3, QC5, QC6, QC9, QCDW, QCE2 QCWT, QE, QHB4, QK4, QKA4, QMAH, QME0, QNE2, QWC, QXAC, QXB7, QXB9 QXE4, QXE6, QXE7, QXE8, QXE9, QXEM, QXER, QXQ4, QXU, QXUM, QXUZ QZA2, QZAV, QZD, QZXR, SC1, SCC, SCK4, SCM, SCM1, SCM3, SCMV, SE1C SE2C, SHQ4, SM32, SMC1, SMD3, SME0, SME6, SMX2, STC4, SWA4, SXB7 SXBG, SXE4, SXEM, SXQ4, VN27, VSB9, VSD9, VX8, VXB7, VXB9, VXE2 VXE7, VXE8, VXE9, VZX7, VZX8	

E-20-1

IGNITION COIL(2)



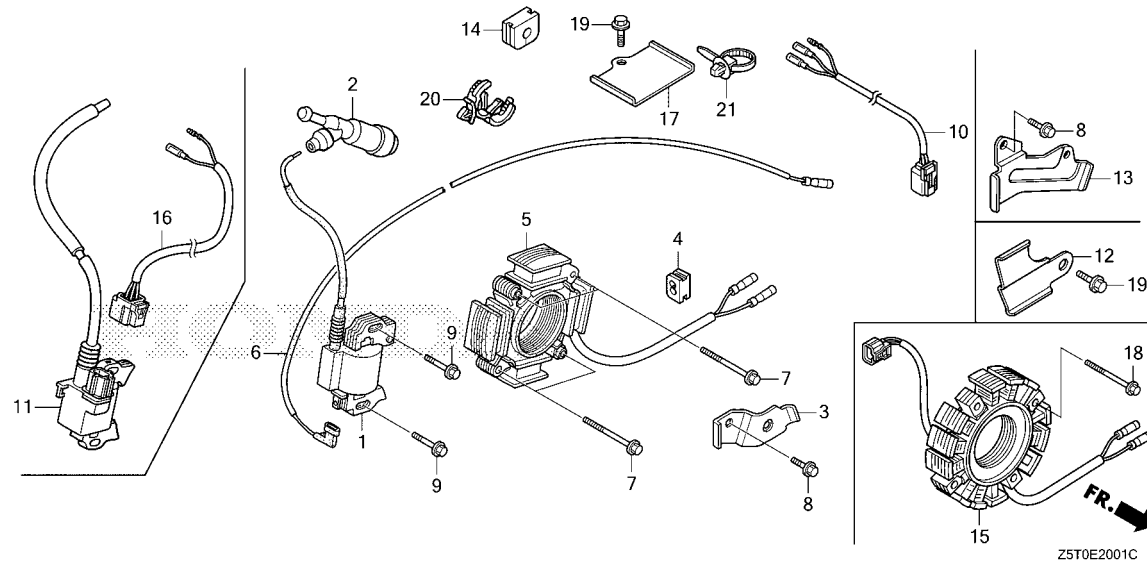
Ref. No. L.O.N. (Relative ref. Number) Description F.R.T.

Ref. No.	Part No.	Description	Reqd. QTY					Serial No.	Parts catalogue code	
			GX 390 UT1	GX 390 UT2	GX 390 RT1	GX 390 RT2	GX 390 UT2X			
1	30500-Z1C-023	COIL ASSY., IGNITION.....	1	-	-	-	-	-----	QNR2, QNR6	
2	30700-Z1C-811	CAP ASSY., NOISE SUPPRESSOR (NGK Y-EZD)	1	-	-	-	-	-----	QNR2, QNR6	
	30700-Z1C-813	-	1	-	-	2068440	-----	QNGN, QNR2, QZHW, QZN2, QZND, QZNR, SHQ5	
	30700-Z1C-811	-	1	-	-	-	-----	LFU, QNRV, QZRL	
	30700-Z1C-812	-	1	-	-	-	-----	QNR6, QZNH	
	30700-Z1C-813	-	1	-	-	2068439	-----	QNR2, QZHW, QZN2, QZND, QZNR, SHQ5	
3	31511-ZE2-W00	CLAMPER, CORD.....	1	1	-	1	1	-----	LFU, QNR2, QNRV, QZHW, QZN2, QZNR, QZRL, SHQ5	
4	31512-ZE2-000	GROMMET, CORD.....	1	1	-	1	1	-----	LFU, QNGN, QNR2, QNR6, QNRV, QZHW, QZN2, QZND, QZNH, QZNR, QZRL	
5	31630-ZE2-W01	COIL ASSY., CHARGE(12V/18A) ..	1	-	-	-	-	-----	QNR2, QNR6	
	31630-Z1C-003	COIL ASSY., CHARGE(12V-17A) ..	-	1	-	1	1	-----	LFU, QNGN, QNR2, QNRV	
	31630-ZE2-W01	COIL ASSY., CHARGE(12V/18A) ..	-	1	-	-	-	-----	QNR6	
6	36101-ZE2-701	CORD, STOP SWITCH(430MM).....	1	-	-	-	-	-----	QNR2, QNR6	
7	90012-888-000	BOLT, FLANGE, 6X40(CT200).....	4	4	-	4	4	-----	LFU, QNGN, QNR2, QNR6, QNRV	
8	90013-883-000	BOLT, FLANGE, 6X12(CT200).....	1	1	-	1	1	-----	LFU, QNGN, QNR2, QNR6, QNRV, QZHW, QZN2, QZND, QZNH, QZNR, QZRL	
9	90015-883-000	BOLT, FLANGE, 6X28(CT200).....	2	2	-	2	2	-----	LFU, QNGN, QNR2, QNR6, QNRV, QZHW, QZN2, QZND, QZNH, QZNR, QZRL	
10	32110-Z5K-810	HARNESS ASSY., ENGINE WIRE (SEL)	-	1	-	1	-	-----	QNGN, QNRV	
	32110-Z5T-810	-	1	-	-	-	1517375	-----	QNR2, QNR6
	32110-Z5K-810	-	1	-	-	-	1517376	-----	QNR2, QNR6
			-	1	-	-	-	3376769	-----	LFU
			-	-	-	-	1	-----	LFU, QNR2, QNRV	
11	30500-Z5T-003	COIL ASSY., IGNITION.....	-	1	-	1	1	-----	LFU, QNGN, QNR2, QNR6, QNRV, QZHW, QZN2, QZND, QZNH, QZNR, QZRL	



E-20-1

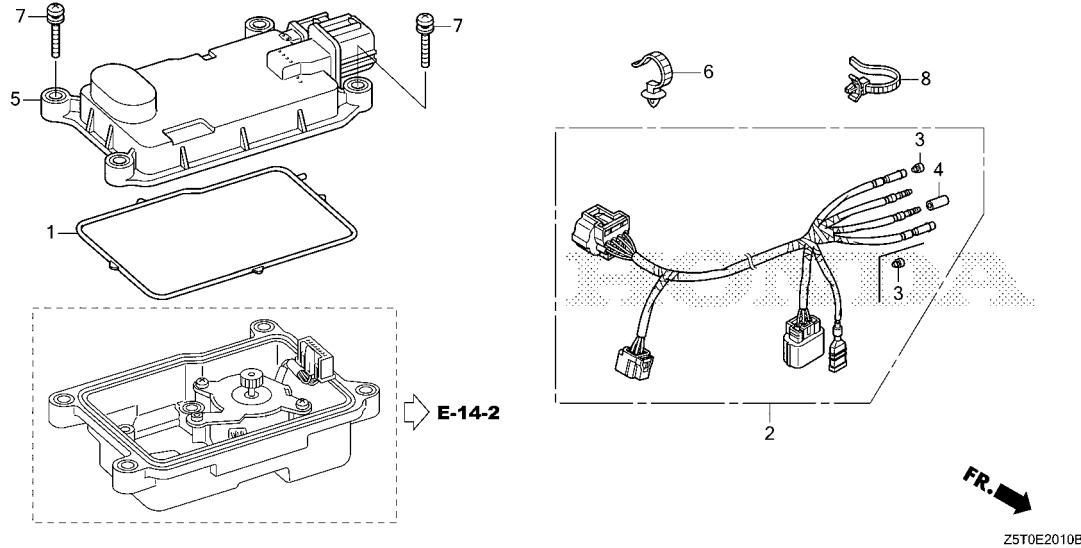
IGNITION COIL(2)



Ref. No.	Part No.	Description	Reqd. QTY					Serial No.	Parts catalogue code
			GX 390 UT1	GX 390 UT2	GX 390 RT1	GX 390 RT2	GX 390 UT2X		
11)	30500-Z5T-004	COIL ASSY., IGNITION(IIDA)...	-	1	-	1	-	ED6, EDS6, EDT6, EZD2, EZDS, HA2, LFU, PAE2, PXM8, QA2, QAA2, QAE2, QC2, QC4, QC9, QCDW, QDW9, QNB2, QNE2, QNGN, QNR2, QNRV, QTT, QWA4, QWC4, QWT2, QXC4, QXC6, QXC9, QXCU, QXE4, QXQ4, QXUZ, QZHW, QZME, QZN2, QZND, QZNR, QZRL, SCM2, SMSC, SMXC, SNC, SXE8, SXQ4, SXU, VC2, VCF, VCT, VCT2, VDE2, VEP9, VKE4, VKER, VKX4, VKXR, VPE9, VPP9, VPX9, VSD4, VMC, VMC9, VWE, VWS1, VWT4, VXC, VZS9, VZXZ	
	30500-Z5T-801	COIL ASSY., IGNITION.....	-	1	-	-	1	SHQ5	
	30500-Z5T-004	COIL ASSY., IGNITION(IIDA)...	-	-	-	-	1	LFU, QNR2, QNRV, QZHW, QZN2, QZNR, QZRL	
12	30596-Z5T-W00	BRACKET B, HARNESS.....	-	1	-	-	1	QZHW, QZN2, QZND, QZNH, QZNR, QZRL	
13	31511-Z5T-W10	CLAMPER, CORD.....	-	1	-	-	1	QZHW, QZN2, QZND, QZNH, QZNR, QZRL	
14	31512-Z5T-W00	GROMMET, CORD.....	-	1	-	-	1	QZHW, QZN2, QZND, QZNH, QZNR, QZRL	
15	31630-Z5T-W31	COIL ASSY., CHARGE(20A).....	-	1	-	-	1	QZHW, QZND, QZNH, QZNR, QZRL	
	31630-Z5T-W21	COIL ASSY., CHARGE(12A).....	-	1	-	-	1	QZN2	
16	32110-Z5K-800	HARNESS ASSY., ENGINE WIRE...	-	1	-	-	1	SHQ5	
	32110-Z5K-820	HARNESS ASSY., ENGINE WIRE (SEL)	-	1	-	-	-	3376768 LFU	
17	32115-Z5T-W00	BRACKET A, HARNESS.....	-	1	-	-	1	QZHW, QZN2, QZND, QZNH, QZNR, QZRL	
18	90012-888-000	BOLT, FLANGE, 6X40(CT200)....	-	4	-	-	-	QZHW, QZN2, QZND, QZNH, QZNR, QZRL	
			-	-	-	-	4	QZN2	
19	90013-883-000	BOLT, FLANGE, 6X12(CT200)....	-	2	-	-	2	QZHW, QZN2, QZND, QZNH, QZNR, QZRL	
20	90684-ZA0-601	CLIP, HARNESS.....	-	1	-	-	1	SHQ5	
21	91541-S0A-003	CLIP, HARNESS BAND(BLACK) (145MM)	-	1	-	-	1	QZHW, QZN2, QZND, QZNH, QZNR, QZRL	

E-20-10

ELECTRONIC CONTROL UNIT



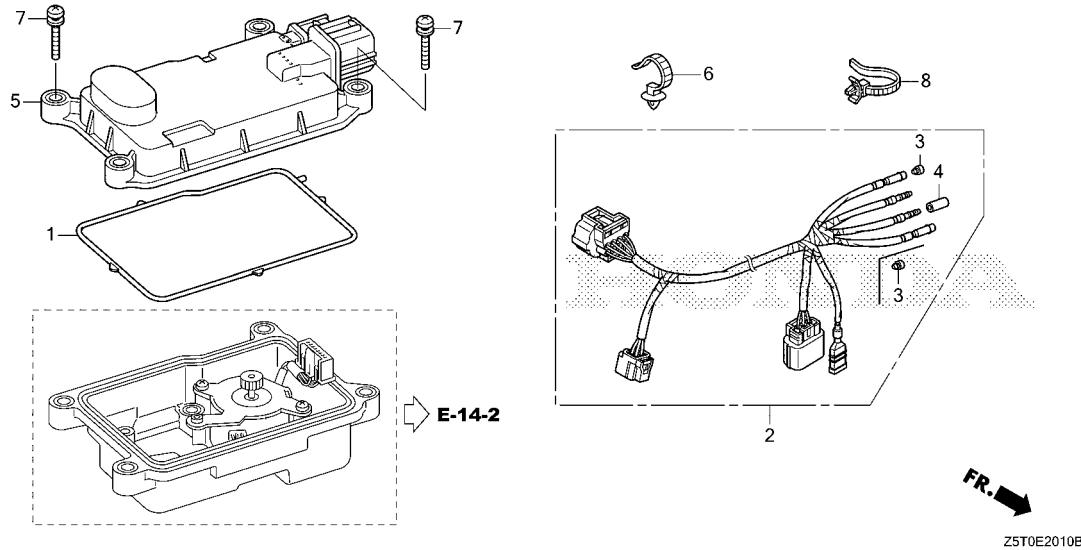
Ref. L.O.N. (Relative ref. Number) F.R.T.
 No. Description

Ref. No.	Part No.	Description	Reqd. QTY					Serial No.	Parts catalogue code
			GX 390 UT1	GX 390 UT2	GX 390 RT1	GX 390 RT2	GX 390 UT2X		
1	16755-Z5T-W00	SEAL, ELECTRONIC CONTROL UNIT COVER	-	1	-	1	1	-----	EZD2, EZDM, EZDS, EZDV, QZA2, QZAV, QZC, QZD, QZDS, QZHW, QZME, QZN2, QZND, QZNH, QZNR, QZRL, QZRV, QZX9, QZXR, SZEC, VZC2, VZP9, VZS9, VZWE, VZX7, VZX8, VZXZ
2	32110-Z5T-W11	HARNESS ASSY., ENGINE WIRE...	-	1	-	1	1	-----	QZAV, QZRL, VZXZ
	32110-Z5T-W00	-	1	-	1	-	1617505	QZA2, QZHW, QZN2, QZNH, QZNR, QZX9, SZEC, VZC2, VZX7, VZX8
	32110-Z5T-W01	-	1	-	1	-	1617506	QZA2, QZHW, QZN2, QZNH, QZNR, QZX9, SZEC, VZC2, VZX7, VZX8
	32110-Z5T-W90	-	1	-	-	-	-----	QZC, QZRV
	32110-Z5T-U10	-	1	-	-	-	-----	QZME
	32110-Z5T-W01	-	1	-	-	-	-----	QZND
	32110-Z5T-W81	-	1	-	-	-	-----	VZS9
	32110-Z5T-W80	-	1	-	-	-	1680129	QZD, QZDS
	32110-Z5T-W20	-	1	-	-	-	1885478	QZXR
	32110-Z5T-W81	-	1	-	-	-	1680130	QZD, QZDS
	32110-Z5T-W21	-	1	-	-	-	1885479	QZXR
	32110-ZBH-W00	-	-	-	1	-	-----	EZD2, VZP9, VZWE
	32110-ZBH-W11	-	-	-	1	-	-----	EZDV
	32110-ZBH-W00	-	-	-	1	-	1703921	EZDM, EZDS
	32110-ZBH-W30	-	-	-	1	-	-----	EZDM, EZDS
	32110-Z5T-W01	-	-	-	-	1	-----	QZA2, QZHW, QZN2, QZNR, VZX7, VZX8
	32110-Z5T-W81	-	-	-	-	1	-----	QZD
	32110-Z5T-W21	-	-	-	-	1	-----	QZXR
3	32823-ZV5-003	PLUG, INNER CONNECTOR.....	-	1	-	-	1	-----	QZA2, QZAV, QZHW, QZN2, QZND, QZNH, QZNR, QZRL, QZX9, QZXR, SZEC, VZX7, VZX8
			-	2	-	-	-	-----	QZC, QZD, QZDS, QZRV, VZS9
			-	-	-	1	-	-----	EZD2, EZDM, EZDS, VZC2, VZP9, VZWE, VZXZ
			-	-	-	2	-	-----	EZDV
			-	-	-	2	-	-----	QZD



E-20-10

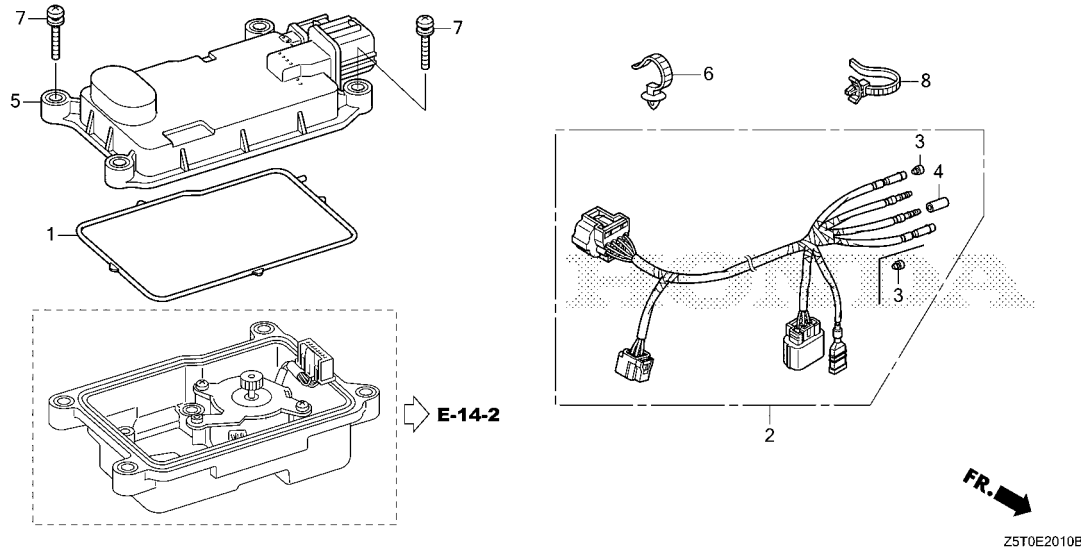
ELECTRONIC CONTROL UNIT



Ref. No.	Part No.	Description	Reqd. QTY					Serial No.	Parts catalogue code
			GX 390 UT1	GX 390 UT2	GX 390 RT1	GX 390 RT2	GX 390 UT2X		
4	32824-ZV5-003	PLUG, OUTER CONNECTOR	-	1	-	1	1	-----	EZD2, EZDM, EZDS, EZDV, QZA2, QZAV, QZC, QZD, QZDS, QZHW, QZME, QZN2, QZND, QZNH, QZNR, QZRL, QZRV, QZX9, QZXR, SZEC, VZC2, VZP9, VZS9, VZWE, VZX7, VZX8, VZXZ
5	34750-Z5T-V51	CONTROL UNIT, ELECTRONIC	-	1	-	-	1	-----	QZD
	34750-Z5T-V41	-	1	-	-	1	-----	QZHW
	34750-Z5T-P11	-	1	-	-	1	-----	QZRL
	34750-Z5T-U41	-	1	-	-	-	-----	QZC
	34750-Z5T-V91	-	1	-	-	-	-----	QZDS
	34750-Z5T-V72	-	1	-	-	-	-----	QZME
	34750-Z5T-W72	-	1	-	-	-	-----	QZND
	34750-Z5T-V21	-	1	-	-	-	-----	QZNH
	34750-Z5T-V81	-	1	-	-	-	-----	QZRV
	34750-Z5T-V61	-	1	-	-	-	-----	SZEC
	34750-Z5T-W23	-	1	-	-	-	-----	VZS9
	34750-Z5T-W11	-	1	-	-	-	-----	1698869 QZAV
	34750-Z5T-W22	-	1	-	-	-	-----	1699581 VZX7, VZX8
	34750-Z5T-W41	-	1	-	-	-	-----	1700173 QZXR
	34750-Z5T-W61	-	1	-	-	-	-----	1700869 QZA2, QZX9
	34750-Z5T-W71	-	1	-	-	-	-----	1701133 QZN2, QZNR
	34750-Z5T-V81	-	1	-	-	1698870	-----	QZAV
	34750-Z5T-W23	-	1	-	-	1699582	-----	VZX7, VZX8
	34750-Z5T-W42	-	1	-	-	1700174	-----	QZXR
	34750-Z5T-W62	-	1	-	-	1700870	-----	QZA2, QZX9
	34750-Z5T-W72	-	1	-	-	1701134	-----	QZN2, QZNR
	34750-ZBH-W51	-	-	-	1	-	-----	VZXZ
	34750-Z5T-U11	-	-	-	1	-	-----	1662948 EZDV
	34750-Z5T-U21	-	-	-	1	-	-----	1669490 EZDM, EZDS
	34750-Z5T-W91	-	-	-	1	-	-----	1701533 EZD2, VZWE
	34750-Z5T-W22	-	-	-	1	-	-----	1702261 VZP9

E-20-10

ELECTRONIC CONTROL UNIT

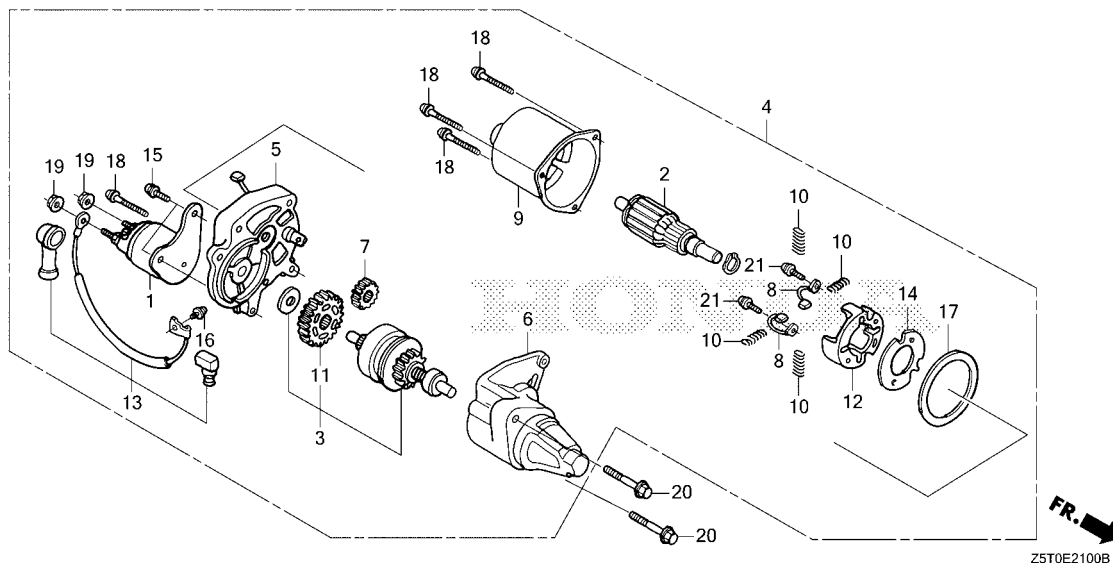


Ref. No.	Part No.	Description	Reqd. QTY					Serial No.	Parts catalogue code
			GX 390 UT1	GX 390 UT2	GX 390 RT1	GX 390 RT2	GX 390 UT2X		
(5)	34750-Z5T-W32	CONTROL UNIT, ELECTRONIC.....	-	-	-	1	-	1703009	VZC2
	34750-Z5T-U12	-	-	-	1	1662949	-----	EZDV
	34750-Z5T-U22	-	-	-	1	1669491	-----	EZDM, EZDS
	34750-Z5T-W92	-	-	-	1	1701534	-----	EZD2, VZWE
	34750-Z5T-W82	-	-	-	1	1702262	-----	VZP9
	34750-Z5T-W92	-	-	-	1	1703010	-----	VZC2
	34750-Z5T-W62	-	-	-	-	-	-----	QZA2
	34750-Z5T-V81	-	-	-	-	-	-----	QZAV
	34750-Z5T-W72	-	-	-	-	-	-----	QZN2, QZNR
	34750-Z5T-W42	-	-	-	-	-	-----	QZXR
	34750-Z5T-W23	-	-	-	-	-	-----	VZX7, VZX8
6	91541-S0A-003	CLIP, HARNESS BAND(BLACK) (145MM)	-	1	-	-	1	-----	VZX7
7	93891-04020-07	SCREW-WASHER, 4X20.....	-	4	-	4	4	-----	EZD2, EZDM, EZDS, EZDV, QZA2, QZAV, QZC, QZD, QZDS, QZHW, QZME, QZN2, QZND, QZNH, QZNR, QZRL, QZRV, QZX9, QZXR, SZEC, VZC2, VZP9, VZS9, VZWE, VZX7, VZX8, VZXZ
8	90672-Z5T-003	CABLE, STRAP.....	-	1	-	-	1	-----	QZC, QZD, QZDS, QZRV, VZS9



E-21

STARTER MOTOR(1)



Ref. No. L.O.N. (Relative ref. Number) Description F.R.T.

Ref. No.	Part No.	Description	Reqd. QTY					Serial No.	Parts catalogue code
			GX 390 UT1	GX 390 UT2	GX 390 RT1	GX 390 RT2	GX 390 UT2X		
1	31204-ZA0-003	CONTACTOR ASSY.	1	1	1	1	1	----- EDD2, EDS6, LFU, LKE, LXE4, LXE5, LXE8, PAE2, PXD8, PXE8, PXM8, QAE2, QAE4, QAE6, QAGN, QC2, QCE2, QKA4, QMAH, QME0, QME2, QNB2, QNE2, QNE6, QNE8, QNGN, QNR2, QNR6, QNRV, QXE4, QXE6, QXE7, QXE8, QXE9, QXEM, QXER, QXH9, SCC, SCK4, SCM1, SCM2, SCM3, SE2C, SM32, SME0, SMES, SMSC, STC4, SXBG, SXE4, SXE8, SXEM, SXS6, VAA8, VC2, VC2N, VCF, VCN2, VCT, VCT2, VDE2, VK2, VKB2, VKE4, VKER, VN27, VPE5, VPE9, VPP9, VS49, VSD4, VTH4, VWE, VWT4, VXE2, VXE6, VXE7, VXE8, VXE9	
2	31206-ZE3-003	ARMATURE COMP.	1	1	1	1	1	----- EDD2, EDS6, LFU, LKE, LXE4, LXE5, LXE8, PAE2, PXD8, PXE8, PXM8, QAE2, QAE4, QAE6, QAGN, QC2, QCE2, QKA4, QMAH, QME0, QME2, QNB2, QNE2, QNE6, QNE8, QNGN, QNR2, QNR6, QNRV, QXE4, QXE6, QXE7, QXE8, QXE9, QXEM, QXER, QXH9, SCC, SCK4, SCM1, SCM2, SCM3, SE2C, SM32, SME0, SMES, SMSC, STC4, SXBG, SXE4, SXE8, SXEM, SXS6, VAA8, VC2, VC2N, VCF, VCN2, VCT, VCT2, VDE2, VK2, VKB2, VKE4, VKER, VN27, VPE5, VPE9, VPP9, VS49, VSD4, VTH4, VWE, VWT4, VXE2, VXE6, VXE7, VXE8, VXE9	
3	31207-ZE3-003	CLUTCH COMP., OVERRUNNING	1	-	1	1	-	----- EDD2, EDS6, LKE, LXE4, LXE8, PAE2, PXD8, PXE8, PXM8, QAE2, QAE4, QAE6, QC2, QKA4, QME0, QME2, QNB2, QNE2, QNE6, QNE8, QNGN, QNR2, QNR6, QXE4, QXE6, QXE7, QXE8, QXE9, QXER, QXH9, SCK4, SM32, SME0, STC4, SXE4, SXE8, VAA8, VC2, VC2N, VCN2, VCT, VCT2, VDE2, VK2, VKB2, VKE4, VKER, VN27, VPE5, VPE9, VPP9, VS49, VSD4, VTH4, VWE, VWT4, VXE2, VXE6, VXE7, VXE8, VXE9	
	31208-ZE3-003	-	1	-	1	-	----- EDS6, LFU, PXM8, QAGN, QNB2, QNGN, QNRV, SCM3, SMES, SXBG, SXS6, VC2, VCF, VCT, VCT2, VDE2, VKE4, VKER, VPE9, VPP9, VSD4, VWE, VWT4	
	31207-ZE3-003	-	1	-	-	-	----- QAE4, QAE6, QNE8, QNR6	
			-	1	-	-	3124706	LKE, LXE4, LXE5, LXE8, PAE2, PXD8, PXE8, QAE2, QC2, QCE2, QKA4, QMAH, QME0, QNE2, QNR2, QXE4, QXE6, QXE7, QXE8, QXE9, QXEM, QXER, SCC, SCK4, SCM1, SCM2, SM32, SME0, SMSC, STC4, SXE4, SXE8, SXEM, VN27, VXE2, VXE7, VXE8, VXE9	

E-21

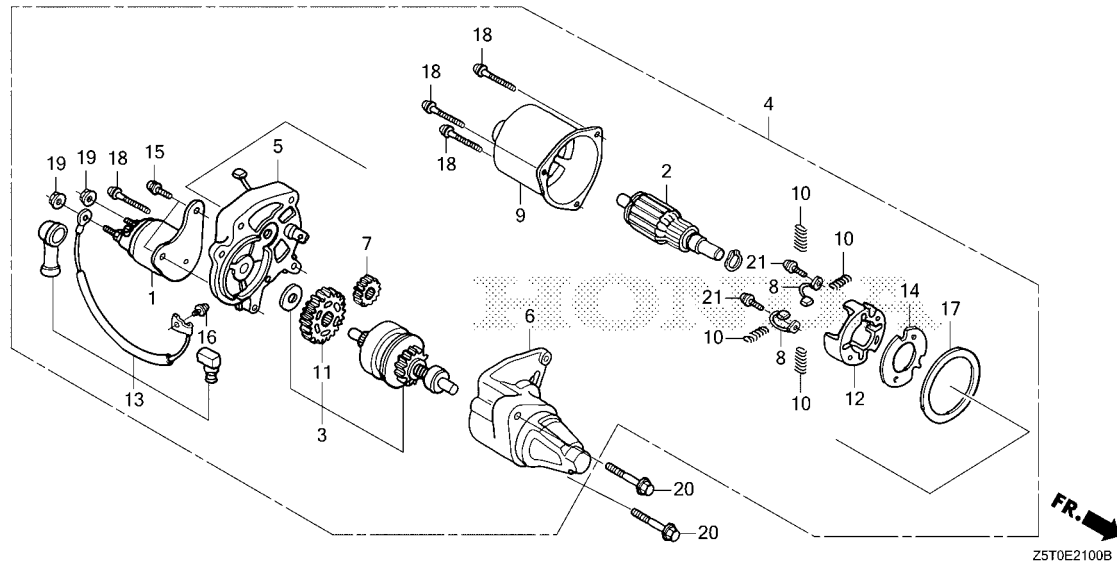
STARTER MOTOR(1)

Ref. No.	Part No.	Description	Reqd. QTY					Serial No.	Parts catalogue code
			GX 390 UT1	GX 390 UT2	GX 390 RT1	GX 390 RT2	GX 390 UT2X		
(3)	31208-ZE3-003	CLUTCH COMP., OVERRUNNING	-	1	-	-	-	3124707 -----	LKE, LXE4, LXE5, LXE8, PAE2, PXD8, PXE8, QAE2, QC2, QCE2, QKA4, QMAH QME0, QNE2, QNR2, QXE4, QXE6, QXE7, QXE8, QXE9, QXEM, QXER, SCC SCK4, SCM1, SCM2, SM32, SME0, SMSC, STC4, SXE4, SXE8, SXEM, VN27 VXE2, VXE7, VXE8, VXE9
			-	-	-	-	1	-----	LFU, LKE, LXE4, LXE5, LXE8, PAE2, PXD8, PXE8, QAE2, QCE2, QKA4, QMAH QME0, QNE2, QNR2, QNRV, QXE4, QXE6, QXE7, QXE8, QXE9, QXEM, QXER SCC, SCK4, SCM1, SCM3, SE2C, SM32, SME0, STC4, SXBG, SXE4, SXEM VN27, VXE2, VXE7, VXE8, VXE9
4	31210-ZE3-023	MOTOR UNIT, STARTER	1	-	1	1	-	-----	EDD2, EDS6, LKE, LXE4, PAE2, PXD8, PXM8, QAE2, QAE4, QAE6, QC2, QKA4 QME0, QME2, QNB2, QNE2, QNE6, QNE8, QNGN, QNR2, QNR6, QXE4, QXE6 QXE7, QXE9, QXER, QXH9, SCK4, SM32, SME0, STC4, SXE4, VAA8, VC2 VC2N, VCN2, VCT, VCT2, VDE2, VK2, VKB2, VKE4, VKER, VN27, VPE5, VPE9 VPP9, VS49, VSD4, VTH4, VWE, VWT4, VXE2, VXE6, VXE7, VXE9
	31210-ZE3-013	1	-	-	-	-	1338742 -----	LXE8, PXE8, QXE8, SXE8, VXE8
	31210-ZE3-023	1	-	-	-	-	1338743 -----	LXE8, PXE8, QXE8, SXE8, VXE8
	31210-ZE3-033	-	1	-	1	-	-----	EDS6, LFU, PXM8, QAGN, QME0, QNB2, QNGN, QNRV, SCM3, SMES, SXBG SXS6, VC2, VCF, VCT, VCT2, VDE2, VKE4, VKER, VPE9, VPP9, VSD4, VWE VWT4
	31210-ZE3-023	-	1	-	-	-	-----	QAE4, QAE6, QNE8, QNR6
			-	1	-	-	-	3124706 -----	LKE, LXE4, LXE5, LXE8, PAE2, PXD8, PXE8, QAE2, QC2, QCE2, QKA4, QMAH QNE2, QNR2, QXE4, QXE6, QXE7, QXE8, QXE9, QXEM, QXER, SCC, SCK4 SCM1, SCM2, SM32, SME0, SMSC, STC4, SXE4, SXE8, SXEM, VN27, VXE2 VXE7, VXE8, VXE9
	31210-ZE3-033	-	1	-	-	-	3124707 -----	LKE, LXE4, LXE5, LXE8, PAE2, PXD8, PXE8, QAE2, QC2, QCE2, QKA4, QMAH QNE2, QNR2, QXE4, QXE6, QXE7, QXE8, QXE9, QXEM, QXER, SCC, SCK4 SCM1, SCM2, SM32, SME0, SMSC, STC4, SXE4, SXE8, SXEM, VN27, VXE2 VXE7, VXE8, VXE9
			-	-	-	-	1	-----	LFU, LKE, LXE4, LXE5, LXE8, PAE2, PXD8, PXE8, QAE2, QCE2, QKA4, QMAH QME0, QNE2, QNR2, QNRV, QXE4, QXE6, QXE7, QXE8, QXE9, QXEM, QXER SCC, SCK4, SCM1, SCM3, SE2C, SM32, SME0, STC4, SXBG, SXE4, SXEM VN27, VXE2, VXE7, VXE8, VXE9
5	31211-ZE2-003	BRACKET, CENTER	1	1	1	1	1	-----	EDD2, EDS6, LFU, LKE, LXE4, LXE5, LXE8, PAE2, PXD8, PXE8, PXM8, QAE2 QAE4, QAE6, QAGN, QC2, QCE2, QKA4, QMAH, QME0, QME2, QNB2, QNE2 QNE6, QNE8, QNGN, QNR2, QNR6, QNRV, QXE4, QXE6, QXE7, QXE8, QXE9 QXEM, QXER, QXH9, SCC, SCK4, SCM1, SCM2, SCM3, SE2C, SM32, SME0 SMES, SMSC, STC4, SXBG, SXE4, SXE8, SXEM, SXS6, VAA8, VC2, VC2N, VCF VCN2, VCT, VCT2, VDE2, VK2, VKB2, VKE4, VKER, VN27, VPE5, VPE9, VPP9 VS49, VSD4, VTH4, VWE, VWT4, VXE2, VXE6, VXE7, VXE8, VXE9
6	31212-ZE3-003	BRACKET, FR.	1	1	1	1	1	-----	EDD2, EDS6, LFU, LKE, LXE4, LXE5, LXE8, PAE2, PXD8, PXE8, PXM8, QAE2 QAE4, QAE6, QAGN, QC2, QCE2, QKA4, QMAH, QME0, QME2, QNB2, QNE2 QNE6, QNE8, QNGN, QNR2, QNR6, QNRV, QXE4, QXE6, QXE7, QXE8, QXE9 QXEM, QXER, QXH9, SCC, SCK4, SCM1, SCM2, SCM3, SE2C, SM32, SME0 SMES, SMSC, STC4, SXBG, SXE4, SXE8, SXEM, SXS6, VAA8, VC2, VC2N, VCF VCN2, VCT, VCT2, VDE2, VK2, VKB2, VKE4, VKER, VN27, VPE5, VPE9, VPP9 VS49, VSD4, VTH4, VWE, VWT4, VXE2, VXE6, VXE7, VXE8, VXE9
7	31213-ZE2-003	GEAR, DRIVE PINION	1	1	1	1	1	-----	EDD2, EDS6, LFU, LKE, LXE4, LXE5, LXE8, PAE2, PXD8, PXE8, PXM8, QAE2 QAE4, QAE6, QAGN, QC2, QCE2, QKA4, QMAH, QME0, QME2, QNB2, QNE2 QNE6, QNE8, QNGN, QNR2, QNR6, QNRV, QXE4, QXE6, QXE7, QXE8, QXE9 QXEM, QXER, QXH9, SCC, SCK4, SCM1, SCM2, SCM3, SE2C, SM32, SME0 SMES, SMSC, STC4, SXBG, SXE4, SXE8, SXEM, SXS6, VAA8, VC2, VC2N, VCF VCN2, VCT, VCT2, VDE2, VK2, VKB2, VKE4, VKER, VN27, VPE5, VPE9, VPP9 VS49, VSD4, VTH4, VWE, VWT4, VXE2, VXE6, VXE7, VXE8, VXE9



E-21

STARTER MOTOR(1)



Ref. No.	Part No.	Description	Reqd. QTY					Serial No.	Parts catalogue code
			GX 390 UT1	GX 390 UT2	GX 390 RT1	GX 390 RT2	GX 390 UT2X		
8	31215-ZE2-003	BRUSH	2	2	2	2	2	----- EDD2, EDS6, LFU, LKE, LXE4, LXE5, LXE8, PAE2, PXD8, PXE8, PXM8, QAE2, QAE4, QAE6, QAGN, QC2, QCE2, QKA4, QMAH, QME0, QME2, QNB2, QNE2, QNE6, QNE8, QNGN, QNR2, QNR6, QNRV, QXE4, QXE6, QXE7, QXE8, QXE9, QXEM, QXER, QXH9, SCC, SCK4, SCM1, SCM2, SCM3, SE2C, SM32, SME0, SMES, SMSC, STC4, SXBG, SXE4, SXE8, SXEM, SXS6, VAA8, VC2, VC2N, VCF, VCN2, VCT, VCT2, VDE2, VK2, VKB2, VKE4, VKER, VN27, VPE5, VPE9, VPP9, VS49, VSD4, VTH4, VWE, VWT4, VXE2, VXE6, VXE7, VXE8, VXE9	
9	31218-ZE3-003	YOKE COMP.	1	1	1	1	1	----- EDD2, EDS6, LFU, LKE, LXE4, LXE5, LXE8, PAE2, PXD8, PXE8, PXM8, QAE2, QAE4, QAE6, QAGN, QC2, QCE2, QKA4, QMAH, QME0, QME2, QNB2, QNE2, QNE6, QNE8, QNGN, QNR2, QNR6, QNRV, QXE4, QXE6, QXE7, QXE8, QXE9, QXEM, QXER, QXH9, SCC, SCK4, SCM1, SCM2, SCM3, SE2C, SM32, SME0, SMES, SMSC, STC4, SXBG, SXE4, SXE8, SXEM, SXS6, VAA8, VC2, VC2N, VCF, VCN2, VCT, VCT2, VDE2, VK2, VKB2, VKE4, VKER, VN27, VPE5, VPE9, VPP9, VS49, VSD4, VTH4, VWE, VWT4, VXE2, VXE6, VXE7, VXE8, VXE9	
10	31219-ZE2-003	SPRING, BRUSH RETURN	4	4	4	4	4	----- EDD2, EDS6, LFU, LKE, LXE4, LXE5, LXE8, PAE2, PXD8, PXE8, PXM8, QAE2, QAE4, QAE6, QAGN, QC2, QCE2, QKA4, QMAH, QME0, QME2, QNB2, QNE2, QNE6, QNE8, QNGN, QNR2, QNR6, QNRV, QXE4, QXE6, QXE7, QXE8, QXE9, QXEM, QXER, QXH9, SCC, SCK4, SCM1, SCM2, SCM3, SE2C, SM32, SME0, SMES, SMSC, STC4, SXBG, SXE4, SXE8, SXEM, SXS6, VAA8, VC2, VC2N, VCF, VCN2, VCT, VCT2, VDE2, VK2, VKB2, VKE4, VKER, VN27, VPE5, VPE9, VPP9, VS49, VSD4, VTH4, VWE, VWT4, VXE2, VXE6, VXE7, VXE8, VXE9	
11	31222-ZE3-791	GEAR, REDUCTION	1	1	1	1	1	----- EDD2, EDS6, LFU, LKE, LXE4, LXE5, LXE8, PAE2, PXD8, PXE8, PXM8, QAE2, QAE4, QAE6, QAGN, QC2, QCE2, QKA4, QMAH, QME0, QME2, QNB2, QNE2, QNE6, QNE8, QNGN, QNR2, QNR6, QNRV, QXE4, QXE6, QXE7, QXE8, QXE9, QXEM, QXER, QXH9, SCC, SCK4, SCM1, SCM2, SCM3, SE2C, SM32, SME0, SMES, SMSC, STC4, SXBG, SXE4, SXE8, SXEM, SXS6, VAA8, VC2, VC2N, VCF, VCN2, VCT, VCT2, VDE2, VK2, VKB2, VKE4, VKER, VN27, VPE5, VPE9, VPP9, VS49, VSD4, VTH4, VWE, VWT4, VXE2, VXE6, VXE7, VXE8, VXE9	

E-21

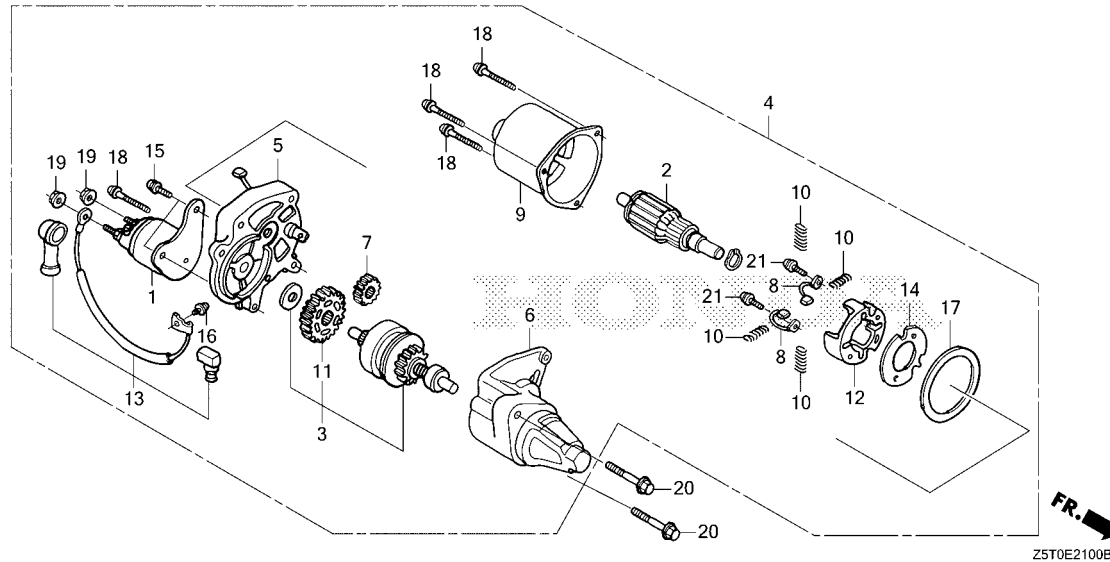
STARTER MOTOR(1)

Ref. No.	Part No.	Description	Reqd. QTY					Serial No.	Parts catalogue code
			GX 390 UT1	GX 390 UT2	GX 390 RT1	GX 390 RT2	GX 390 UT2X		
12	31231-ZE2-003	HOLDER, BRUSH	1	1	1	1	1	-----	EDD2, EDS6, LFU, LKE, LXE4, LXE5, LXE8, PAE2, PXD8, PXE8, PXM8, QAE2, QAE4, QAE6, QAGN, QC2, QCE2, QKA4, QMAH, QME0, QME2, QNB2, QNE2, QNE6, QNE8, QNGN, QNR2, QNR6, QNRV, QXE4, QXE6, QXE7, QXE8, QXE9, QXEM, QXER, QXH9, SCC, SCK4, SCM1, SCM2, SCM3, SE2C, SM32, SME0, SMES, SMSC, STC4, SXBG, SXE4, SXE8, SXEM, SXS6, VAA8, VC2, VC2N, VCF, VCN2, VCT, VCT2, VDE2, VK2, VKB2, VKE4, VKER, VN27, VPE5, VPE9, VPP9, VS49, VSD4, VTH4, VWE, VWT4, VXE2, VXE6, VXE7, VXE8, VXE9
13	31232-ZE3-003	WIRE, WATER COVER	1	1	1	1	1	-----	EDD2, EDS6, LFU, LKE, LXE4, LXE5, LXE8, PAE2, PXD8, PXE8, PXM8, QAE2, QAE4, QAE6, QAGN, QC2, QCE2, QKA4, QMAH, QME0, QME2, QNB2, QNE2, QNE6, QNE8, QNGN, QNR2, QNR6, QNRV, QXE4, QXE6, QXE7, QXE8, QXE9, QXEM, QXER, QXH9, SCC, SCK4, SCM1, SCM2, SCM3, SE2C, SM32, SME0, SMES, SMSC, STC4, SXBG, SXE4, SXE8, SXEM, SXS6, VAA8, VC2, VC2N, VCF, VCN2, VCT, VCT2, VDE2, VK2, VKB2, VKE4, VKER, VN27, VPE5, VPE9, VPP9, VS49, VSD4, VTH4, VWE, VWT4, VXE2, VXE6, VXE7, VXE8, VXE9
14	31233-ZE2-003	INSULATOR	1	1	1	1	1	-----	EDD2, EDS6, LFU, LKE, LXE4, LXE5, LXE8, PAE2, PXD8, PXE8, PXM8, QAE2, QAE4, QAE6, QAGN, QC2, QCE2, QKA4, QMAH, QME0, QME2, QNB2, QNE2, QNE6, QNE8, QNGN, QNR2, QNR6, QNRV, QXE4, QXE6, QXE7, QXE8, QXE9, QXEM, QXER, QXH9, SCC, SCK4, SCM1, SCM2, SCM3, SE2C, SM32, SME0, SMES, SMSC, STC4, SXBG, SXE4, SXE8, SXEM, SXS6, VAA8, VC2, VC2N, VCF, VCN2, VCT, VCT2, VDE2, VK2, VKB2, VKE4, VKER, VN27, VPE5, VPE9, VPP9, VS49, VSD4, VTH4, VWE, VWT4, VXE2, VXE6, VXE7, VXE8, VXE9
15	90007-ZE2-003	BOLT-WASHER, 5X14	2	2	2	2	2	-----	EDD2, EDS6, LFU, LKE, LXE4, LXE5, LXE8, PAE2, PXD8, PXE8, PXM8, QAE2, QAE4, QAE6, QAGN, QC2, QCE2, QKA4, QMAH, QME0, QME2, QNB2, QNE2, QNE6, QNE8, QNGN, QNR2, QNR6, QNRV, QXE4, QXE6, QXE7, QXE8, QXE9, QXEM, QXER, QXH9, SCC, SCK4, SCM1, SCM2, SCM3, SE2C, SM32, SME0, SMES, SMSC, STC4, SXBG, SXE4, SXE8, SXEM, SXS6, VAA8, VC2, VC2N, VCF, VCN2, VCT, VCT2, VDE2, VK2, VKB2, VKE4, VKER, VN27, VPE5, VPE9, VPP9, VS49, VSD4, VTH4, VWE, VWT4, VXE2, VXE6, VXE7, VXE8, VXE9
16	90110-ZE2-003	SCREW-WASHER, 4X6	1	1	1	1	1	-----	EDD2, EDS6, LFU, LKE, LXE4, LXE5, LXE8, PAE2, PXD8, PXE8, PXM8, QAE2, QAE4, QAE6, QAGN, QC2, QCE2, QKA4, QMAH, QME0, QME2, QNB2, QNE2, QNE6, QNE8, QNGN, QNR2, QNR6, QNRV, QXE4, QXE6, QXE7, QXE8, QXE9, QXEM, QXER, QXH9, SCC, SCK4, SCM1, SCM2, SCM3, SE2C, SM32, SME0, SMES, SMSC, STC4, SXBG, SXE4, SXE8, SXEM, SXS6, VAA8, VC2, VC2N, VCF, VCN2, VCT, VCT2, VDE2, VK2, VKB2, VKE4, VKER, VN27, VPE5, VPE9, VPP9, VS49, VSD4, VTH4, VWE, VWT4, VXE2, VXE6, VXE7, VXE8, VXE9
17	91601-ZE2-003	PACKING	1	1	1	1	1	-----	EDD2, EDS6, LFU, LKE, LXE4, LXE5, LXE8, PAE2, PXD8, PXE8, PXM8, QAE2, QAE4, QAE6, QAGN, QC2, QCE2, QKA4, QMAH, QME0, QME2, QNB2, QNE2, QNE6, QNE8, QNGN, QNR2, QNR6, QNRV, QXE4, QXE6, QXE7, QXE8, QXE9, QXEM, QXER, QXH9, SCC, SCK4, SCM1, SCM2, SCM3, SE2C, SM32, SME0, SMES, SMSC, STC4, SXBG, SXE4, SXE8, SXEM, SXS6, VAA8, VC2, VC2N, VCF, VCN2, VCT, VCT2, VDE2, VK2, VKB2, VKE4, VKER, VN27, VPE5, VPE9, VPP9, VS49, VSD4, VTH4, VWE, VWT4, VXE2, VXE6, VXE7, VXE8, VXE9
18	93892-05032-18	SCREW-WASHER, 5X32	4	4	4	4	4	-----	EDD2, EDS6, LFU, LKE, LXE4, LXE5, LXE8, PAE2, PXD8, PXE8, PXM8, QAE2, QAE4, QAE6, QAGN, QC2, QCE2, QKA4, QMAH, QME0, QME2, QNB2, QNE2, QNE6, QNE8, QNGN, QNR2, QNR6, QNRV, QXE4, QXE6, QXE7, QXE8, QXE9, QXEM, QXER, QXH9, SCC, SCK4, SCM1, SCM2, SCM3, SE2C, SM32, SME0, SMES, SMSC, STC4, SXBG, SXE4, SXE8, SXEM, SXS6, VAA8, VC2, VC2N, VCF, VCN2, VCT, VCT2, VDE2, VK2, VKB2, VKE4, VKER, VN27, VPE5, VPE9, VPP9, VS49, VSD4, VTH4, VWE, VWT4, VXE2, VXE6, VXE7, VXE8, VXE9
19	94070-06080	NUT-WASHER, 6MM	2	2	2	2	2	-----	EDD2, EDS6, LFU, LKE, LXE4, LXE5, LXE8, PAE2, PXD8, PXE8, PXM8, QAE2, QAE4, QAE6, QAGN, QC2, QCE2, QKA4, QMAH, QME0, QME2, QNB2, QNE2, QNE6, QNE8, QNGN, QNR2, QNR6, QNRV, QXE4, QXE6, QXE7, QXE8, QXE9, QXEM, QXER, QXH9, SCC, SCK4, SCM1, SCM2, SCM3, SE2C, SM32, SME0, SMES, SMSC, STC4, SXBG, SXE4, SXE8, SXEM, SXS6, VAA8, VC2, VC2N, VCF, VCN2, VCT, VCT2, VDE2, VK2, VKB2, VKE4, VKER, VN27, VPE5, VPE9, VPP9, VS49, VSD4, VTH4, VWE, VWT4, VXE2, VXE6, VXE7, VXE8, VXE9



E-21

STARTER MOTOR(1)



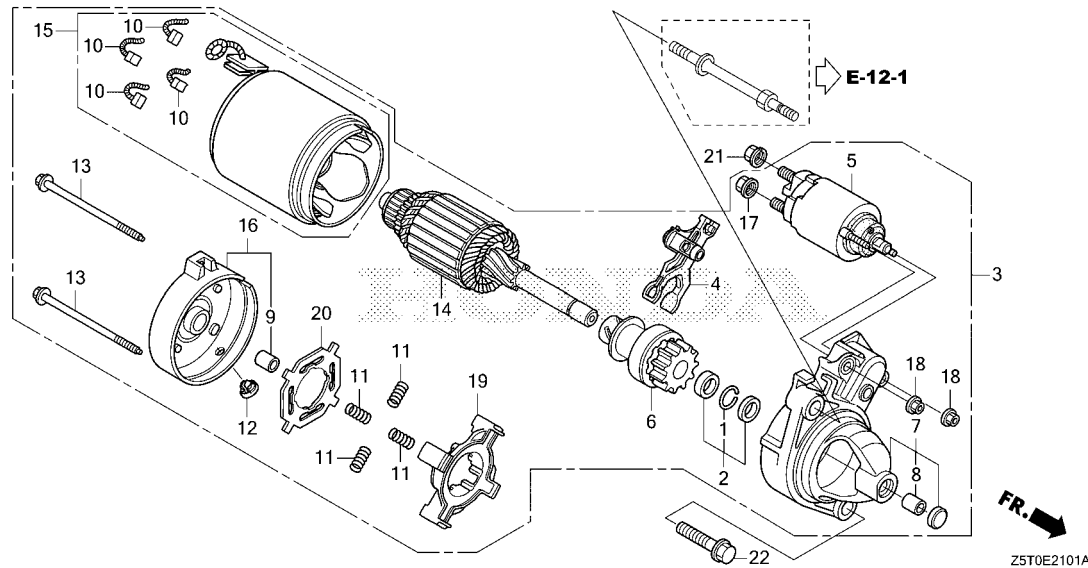
Z5T0E2100B

Ref. No.	Part No.	Description	Reqd. QTY					Serial No.	Parts catalogue code	
			GX 390 UT1	GX 390 UT2	GX 390 RT1	GX 390 RT2	GX 390 UT2X			
20	95701-08035-08	BOLT, FLANGE, 8X35	2	2	2	2	2	-----	EDD2, EDS6, LFU, LKE, LXE4, LXE5, LXE8, PAE2, PXD8, PXE8, PXM8, QAE2, QAE4, QAE6, QAGN, QC2, QCE2, QKA4, QMAH, QME0, QME2, QNB2, QNE2, QNE6, QNE8, QNGN, QNR2, QNR6, QNRV, QXE4, QXE6, QXE7, QXE8, QXE9, QXEM, QXER, QXH9, SCC, SCK4, SCM1, SCM2, SCM3, SE2C, SM32, SME0, SMES, SMSC, STC4, SXBG, SXE4, SXE8, SXEM, SXS6, VAA8, VC2, VC2N, VCF, VCN2, VCT, VCT2, VDE2, VK2, VKB2, VKE4, VKER, VN27, VPE5, VPE9, VPP9, VS49, VSD4, VTH4, VWE, VWT4, VXE2, VXE6, VXE7, VXE8, VXE9	
21	31219-ZE3-003	SCREW-WASHER, 4X14	2	-	2	2	-	-----	EDD2, EDS6, LKE, LXE4, PAE2, PXD8, PXM8, QAE2, QAE4, QAE6, QAGN, QC2, QKA4, QME0, QME2, QNB2, QNE2, QNE6, QNE8, QNGN, QNR2, QNR6, QXE4, QXE6, QXE7, QXE9, QXER, QXH9, SCK4, SM32, SME0, SMES, STC4, SXE4, SXS6, VAA8, VC2, VC2N, VCF, VCN2, VCT, VCT2, VDE2, VK2, VKB2, VKE4, VKER, VN27, VPE5, VPE9, VPP9, VS49, VSD4, VTH4, VWE, VWT4, VXE2, VXE6, VXE7, VXE9	
			2	-	-	-	-	1338743	-----	LXE8, PXE8, QXE8, SXE8, VXE8
			-	2	-	-	2	-----	-----	LFU, LKE, LXE4, LXE5, LXE8, PAE2, PXD8, PXE8, QAE2, QAE4, QAE6, QC2, QCE2, QKA4, QMAH, QME0, QNE2, QNE8, QNR2, QNR6, QNRV, QXE4, QXE6, QXE7, QXE8, QXE9, QXEM, QXER, SCC, SCK4, SCM1, SCM2, SCM3, SE2C, SM32, SME0, SMSC, STC4, SXBG, SXE4, SXE8, SXEM, VN27, VXE2, VXE7, VXE8, VXE9



E-21-1

STARTER MOTOR(2)



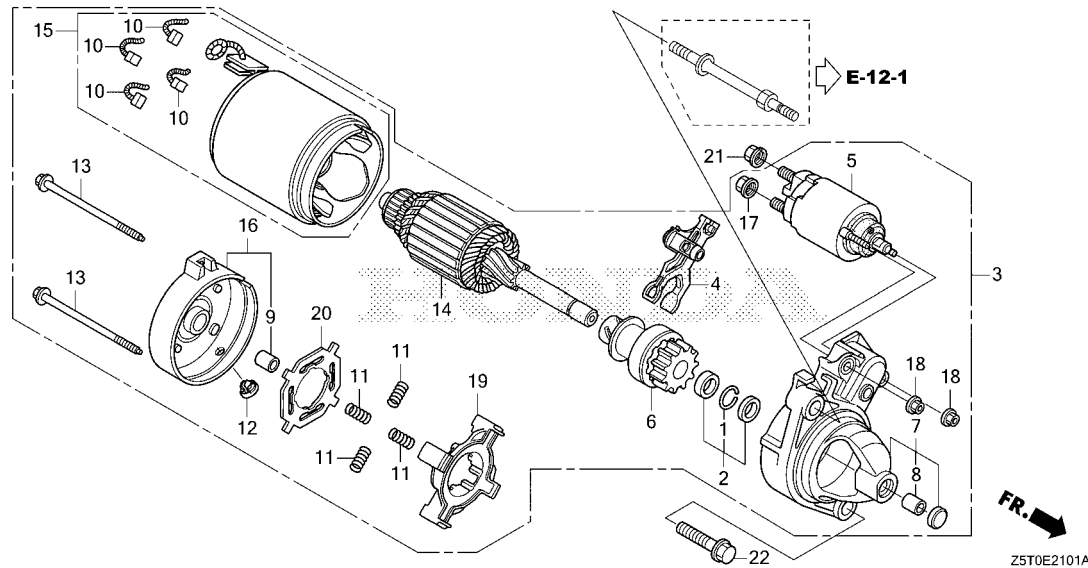
Ref. L.O.N. (Relative ref. Number) F.R.T.
 No. Description

Ref. No.	Part No.	Description	Reqd. QTY					Serial No.	Parts catalogue code
			GX 390 UT1	GX 390 UT2	GX 390 RT1	GX 390 RT2	GX 390 UT2X		
1	30201-PH9-004	RING, SNAP(DENSO)	-	1	-	1	1	-----	EZD2, EZDM, EZDS, EZDV, QZA2, QZAV, QZHW, QZME, QZN2, QZND, QZNH, QZNR, QZRL, QZX9, QZXR, SZEC, VZC2, VZP9, VZWE, VZX7, VZX8, VZXZ
2	30202-PZ1-003	COLLAR SET, CLUTCH STOP	-	1	-	1	1	-----	EZD2, EZDM, EZDS, EZDV, QZA2, QZAV, QZHW, QZME, QZN2, QZND, QZNH, QZNR, QZRL, QZX9, QZXR, SZEC, VZC2, VZP9, VZWE, VZX7, VZX8, VZXZ
3	31200-Z5T-W01	MOTOR ASSY., STARTER	-	1	-	1	1	-----	EZD2, EZDM, EZDS, EZDV, QZA2, QZAV, QZHW, QZME, QZN2, QZND, QZNH, QZNR, QZRL, QZX9, QZXR, SZEC, VZC2, VZP9, VZWE, VZX7, VZX8, VZXZ
4	31203-PH9-004	LEVER, PINION DRIVE	-	1	-	1	1	-----	EZD2, EZDM, EZDS, EZDV, QZA2, QZAV, QZHW, QZME, QZN2, QZND, QZNH, QZNR, QZRL, QZX9, QZXR, SZEC, VZC2, VZP9, VZWE, VZX7, VZX8, VZXZ
5	31204-Z2E-003	SWITCH ASSY., MAGNET	-	1	-	1	1	-----	EZD2, EZDM, EZDS, EZDV, QZA2, QZAV, QZHW, QZME, QZN2, QZND, QZNH, QZNR, QZRL, QZX9, QZXR, SZEC, VZC2, VZP9, VZWE, VZX7, VZX8, VZXZ
6	31207-ZE9-H01	CLUTCH COMP., OVERRUNNING	-	1	-	1	1	-----	EZD2, EZDM, EZDS, EZDV, QZA2, QZAV, QZHW, QZME, QZN2, QZND, QZNH, QZNR, QZRL, QZX9, QZXR, SZEC, VZC2, VZP9, VZWE, VZX7, VZX8, VZXZ
7	31208-Z5T-W00	HOUSING COMP., DRIVE SIDE	-	1	-	1	1	-----	EZD2, EZDM, EZDS, EZDV, QZA2, QZAV, QZHW, QZME, QZN2, QZND, QZNH, QZNR, QZRL, QZX9, QZXR, SZEC, VZC2, VZP9, VZWE, VZX7, VZX8, VZXZ
8	31209-PH9-004	BEARING A	-	1	-	1	1	-----	EZD2, EZDM, EZDS, EZDV, QZA2, QZAV, QZHW, QZME, QZN2, QZND, QZNH, QZNR, QZRL, QZX9, QZXR, SZEC, VZC2, VZP9, VZWE, VZX7, VZX8, VZXZ
9	31210-PH9-004	BEARING B	-	1	-	1	1	-----	EZD2, EZDM, EZDS, EZDV, QZA2, QZAV, QZHW, QZME, QZN2, QZND, QZNH, QZNR, QZRL, QZX9, QZXR, SZEC, VZC2, VZP9, VZWE, VZX7, VZX8, VZXZ
10	31211-PH9-004	BRUSH	-	4	-	4	4	-----	EZD2, EZDM, EZDS, EZDV, QZA2, QZAV, QZHW, QZME, QZN2, QZND, QZNH, QZNR, QZRL, QZX9, QZXR, SZEC, VZC2, VZP9, VZWE, VZX7, VZX8, VZXZ
11	31212-PH9-004	SPRING, BRUSH	-	4	-	4	4	-----	EZD2, EZDM, EZDS, EZDV, QZA2, QZAV, QZHW, QZME, QZN2, QZND, QZNH, QZNR, QZRL, QZX9, QZXR, SZEC, VZC2, VZP9, VZWE, VZX7, VZX8, VZXZ
12	31213-P64-N01	COVER	-	1	-	1	1	-----	EZD2, EZDM, EZDS, EZDV, QZA2, QZAV, QZHW, QZME, QZN2, QZND, QZNH, QZNR, QZRL, QZX9, QZXR, SZEC, VZC2, VZP9, VZWE, VZX7, VZX8, VZXZ
13	31214-PH9-004	BOLT, THROUGH	-	2	-	2	2	-----	EZD2, EZDM, EZDS, EZDV, QZA2, QZAV, QZHW, QZME, QZN2, QZND, QZNH, QZNR, QZRL, QZX9, QZXR, SZEC, VZC2, VZP9, VZWE, VZX7, VZX8, VZXZ



E-21-1

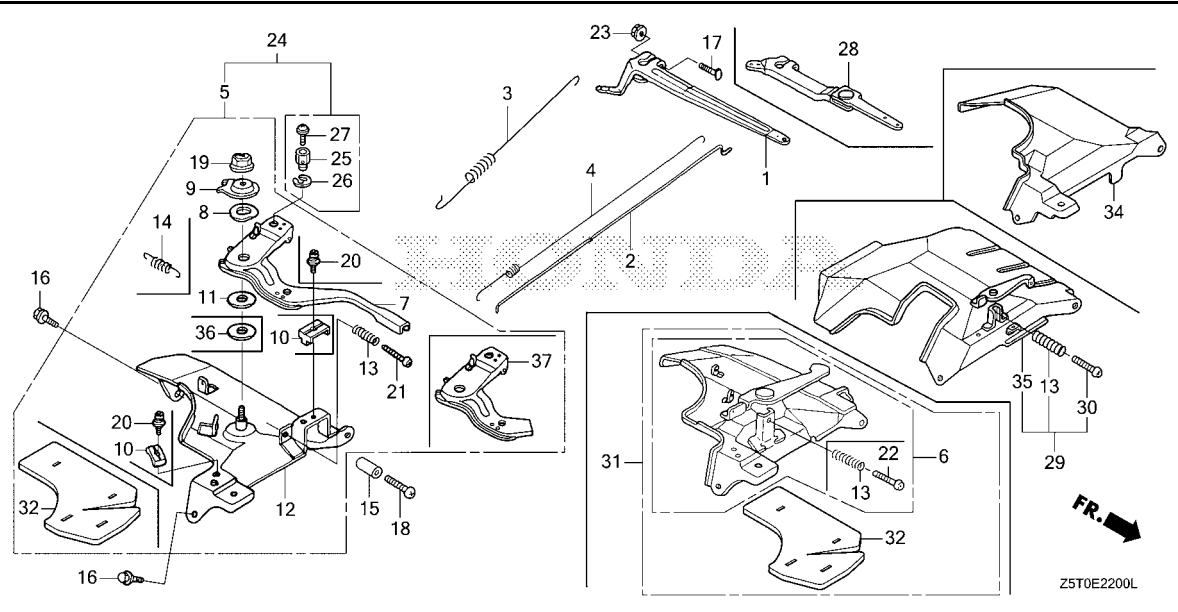
STARTER MOTOR(2)



Ref. No.	Part No.	Description	Reqd. QTY					Serial No.	Parts catalogue code
			GX 390 UT1	GX 390 UT2	GX 390 RT1	GX 390 RT2	GX 390 UT2X		
14	31217-Z0A-003	ARMATURE COMP.	-	1	-	1	1	-----	EZD2, EZDM, EZDS, EZDV, QZA2, QZAV, QZHW, QZME, QZN2, QZND, QZNH, QZNR, QZRL, QZX9, QZXR, SZEC, VZC2, VZP9, VZWE, VZX7, VZX8, VZXZ
15	31218-PH9-004	YOKE COMP.	-	1	-	1	1	-----	EZD2, EZDM, EZDS, EZDV, QZA2, QZAV, QZHW, QZME, QZN2, QZND, QZNH, QZNR, QZRL, QZX9, QZXR, SZEC, VZC2, VZP9, VZWE, VZX7, VZX8, VZXZ
16	31219-Z5T-W00	FRAME COMP., COMMUTATOR END ..	-	1	-	1	1	-----	EZD2, EZDM, EZDS, EZDV, QZA2, QZAV, QZHW, QZME, QZN2, QZND, QZNH, QZNR, QZRL, QZX9, QZXR, SZEC, VZC2, VZP9, VZWE, VZX7, VZX8, VZXZ
17	31220-PH9-004	NUT, HEX., 8MM	-	1	-	1	1	-----	EZD2, EZDM, EZDS, EZDV, QZA2, QZAV, QZHW, QZME, QZN2, QZND, QZNH, QZNR, QZRL, QZX9, QZXR, SZEC, VZC2, VZP9, VZWE, VZX7, VZX8, VZXZ
18	31223-PA0-006	NUT, HEX.(6MM)	-	2	-	2	2	-----	EZD2, EZDM, EZDS, EZDV, QZA2, QZAV, QZHW, QZME, QZN2, QZND, QZNH, QZNR, QZRL, QZX9, QZXR, SZEC, VZC2, VZP9, VZWE, VZX7, VZX8, VZXZ
19	31231-PH9-004	HOLDER, BRUSH	-	1	-	1	1	-----	EZD2, EZDM, EZDS, EZDV, QZA2, QZAV, QZHW, QZME, QZN2, QZND, QZNH, QZNR, QZRL, QZX9, QZXR, SZEC, VZC2, VZP9, VZWE, VZX7, VZX8, VZXZ
20	31233-PH9-004	INSULATOR, BRUSH HOLDER	-	1	-	1	1	-----	EZD2, EZDM, EZDS, EZDV, QZA2, QZAV, QZHW, QZME, QZN2, QZND, QZNH, QZNR, QZRL, QZX9, QZXR, SZEC, VZC2, VZP9, VZWE, VZX7, VZX8, VZXZ
21	94070-08080	NUT-WASHER, 8MM	-	1	-	1	1	-----	EZD2, EZDM, EZDS, EZDV, QZA2, QZAV, QZHW, QZME, QZN2, QZND, QZNH, QZNR, QZRL, QZX9, QZXR, SZEC, VZC2, VZP9, VZWE, VZX7, VZX8, VZXZ
22	95701-10040-00	BOLT, FLANGE, 10X40	-	1	-	1	1	-----	EZD2, EZDM, EZDS, EZDV, QZA2, QZAV, QZHW, QZME, QZN2, QZND, QZNH, QZNR, QZRL, QZX9, QZXR, SZEC, VZC2, VZP9, VZWE, VZX7, VZX8, VZXZ

E-22

CONTROL



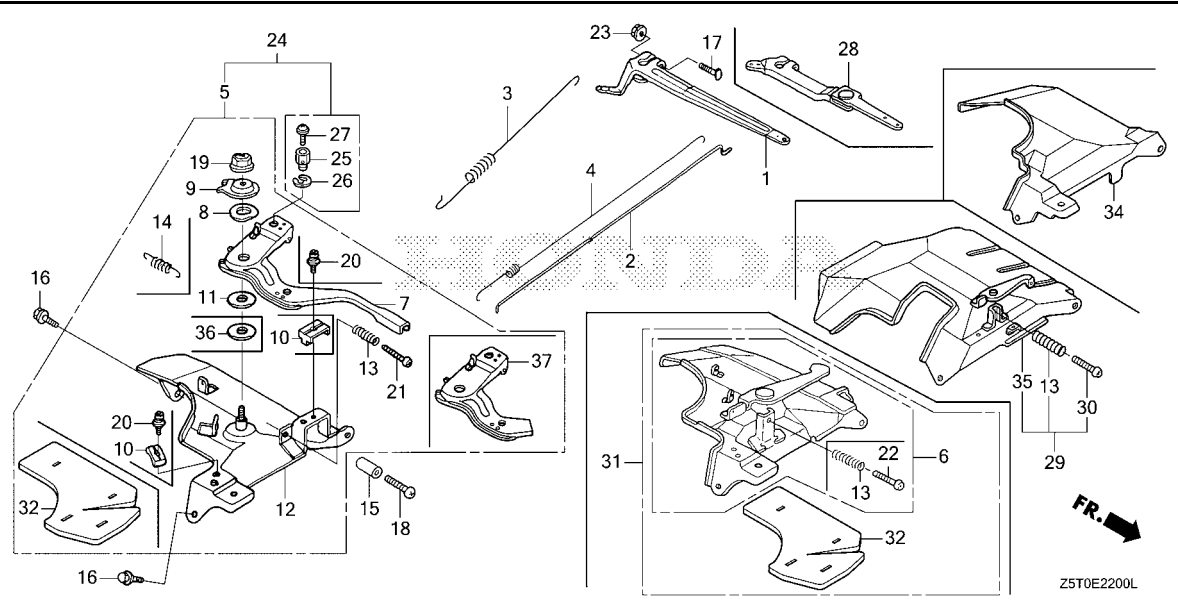
Ref. L.O.N. (Relative ref. Number) F.R.T.
 No. Description

Ref. No.	Part No.	Description	Reqd. QTY					Serial No.	Parts catalogue code
			GX 390 UT1	GX 390 UT2	GX 390 RT1	GX 390 RT2	GX 390 UT2X		
1	16551-ZE3-000	ARM, GOVERNOR	1	1	1	1	1	----- HA2, LFU, LKE, LX2, LXE4, LXE5, LXE8, LXQ4, LXU, PA2, PAE2, PKT, PXD8, PXE8, PXM8, PXU, QA2, QA26, QA4, QAA2, QAA6, QAE2, QAE4, QAE6, QAGN, QAW, QC1, QC2, QC3, QC4, QC5, QC6, QC9, QCDW, QCE2, QCWT, QDW9, QE, QHB4, QK4, QKA4, QMAH, QME0, QME2, QNB2, QNE2, QNE6, QNE8, QNGN, QNR2, QNR6, QNRV, QTT, QWA2, QWA4, QWC, QWC4, QWT2, QXAC, QXB7, QXB9, QXC4, QXC6, QXC9, QXCU, QXE4, QXE6, QXE7, QXE8, QXE9, QXEM, QXER, QXH9, QXQ4, QXS2, QXS4, QXU, QXUM, QXUZ, SC1, SCC, SCK4, SCM, SCM1, SCM2, SCM3, SCMV, SDQ5, SE1C, SE2C, SHQ2, SHQ4, SHQ5, SHQ6, SM32, SMC1, SMC2, SMD3, SME0, SME6, SMES, SMSC, SMX2, SMXC, SNC, STC4, SWA2, SWA4, SXB7, SXB9, SXBG, SXE4, SXE8, SXEM, SXQ4, SXU, VA2, VAA1, VAA8, VAG2, VDE2, VEP9, VK2, VM2, VN27, VNG1, VPE5, VPE9, VPP9, VPX2, VPX4, VPX9, VS49, VSB9, VSD4, VSD7, VSD9, VTH4, VWC9, VWT4, VX8, VXB7, VXB9, VXE2, VXE6, VXE7, VXE8, VXE9, VXQ4	
2	16555-ZE3-000	ROD, GOVERNOR	1	1	1	1	1	----- ED6, EDD2, EDS6, EDT6, HA2, LFU, LKE, LX2, LXE4, LXE5, LXE8, LXQ4, LXU, PA2, PAE2, PKT, PXD8, PXE8, PXM8, PXU, QA2, QA26, QA4, QAA2, QAA6, QAE2, QAE4, QAE6, QAGN, QAW, QC1, QC2, QC3, QC4, QC5, QC6, QC9, QCDW, QCE2, QCWT, QDW9, QE, QHB4, QK4, QKA4, QMAH, QME0, QME2, QNB2, QNE2, QNE6, QNE8, QNGN, QNR2, QNR6, QNRV, QTT, QWA2, QWA4, QWC, QWC4, QWT2, QXAC, QXB7, QXB9, QXC4, QXC6, QXC9, QXCU, QXE4, QXE6, QXE7, QXE8, QXE9, QXEM, QXER, QXH9, QXQ4, QXS2, QXS4, QXU, QXUM, QXUZ, SC1, SCC, SCK4, SCM, SCM1, SCM2, SCM3, SCMV, SDQ5, SE1C, SE2C, SHQ2, SHQ4, SHQ5, SHQ6, SM32, SMC1, SMC2, SMD3, SME0, SME6, SMES, SMSC, SMX2, SMXC, SNC, STC4, SWA2, SWA4, SXB7, SXB9, SXBG, SXE4, SXE8, SXEM, SXQ4, SXS6, SXU, VA2, VAA1, VAA8, VAC2, VAG2, VC2, VC2N, VCF, VCN2, VCT, VCT2, VD2, VDE2, VEP9, VK2, VKB2, VKE4, VKER, VKX4, VKXR, VM2, VN27, VNG1, VPE5, VPE9, VPP9, VPX2, VPX4, VPX9, VS49, VSB9, VSD4, VSD7, VSD9, VTH4, VWC, VWC9, VWE, VWS, VWS1, VWT4, VX8, VXB7, VXB9, VXE2, VXE6, VXE7, VXE8, VXE9, VXF, VXG, VXQ4, VXT	



E-22

CONTROL



Z5T0E2200L

Ref. No.	Part No.	Description	Reqd. QTY					Serial No.	Parts catalogue code
			GX 390 UT1	GX 390 UT2	GX 390 RT1	GX 390 RT2	GX 390 UT2X		
3	16561-ZE3-000	SPRING, GOVERNOR(L=137.5MM) ..	1	-	1	-	-	HA2, LKE, LX2, LXE4, LXE8, LXQ4, LXU, PA2, PAE2, PXD8, PXE8, PXU, QA2, QA26, QA4, QAA2, QAA6, QAE2, QAE4, QAE6, QAW, QC2, QDW9, QE, QHB4, QK4, QKA4, QME0, QME2, QNB2, QNE2, QNE6, QNE8, QNR2, QNR6, QTT, QWA2, QWA4, QWC4, QWT2, QXB7, QXB9, QXC4, QXC6, QXC9, QXCU, QXE4, QXE6, QXE7, QXE8, QXER, QXH9, QXQ4, QXS2, QXS4, QXU, QXUZ, SCK4, SHQ2, SHQ4, SM32, SMC1, SMC2, SMD3, SME0, SME6, SNC, STC4, SWA2, SWA4, SXB7, SXB9, SXE4, SXE8, SXQ4, SXU, VAA1, VAA8, VKE4, VKX4, VS49, VSD4, VTH4	
	16561-ZF6-W32	SPRING, GOVERNOR	1	-	1	-	-	VA2, VDE2, VM2, VN27, VNG1, VWE, VXB7, VXB9, VXE2, VXE6, VXE7, VXE9, VXQ4	
	16561-ZF6-T21	1	-	1	-	-	VAC2, VAG2, VC2, VC2N, VCN2, VD2, VK2, VKB2, VSD7, VSD9, VWC, VWC9, VX8, VXE8, VXG	
	16561-ZE3-710	SPRING, GOVERNOR(L=132.0MM) ..	1	-	1	-	-	VEP9, VPE5, VPE9, VPX2, VPX4, VPX9, VWT4	
	16561-Z1C-830	SPRING, GOVERNOR	-	1	-	1	1	VN27, VSB9, VSD9, VWC9, VX8, VXB7, VXE7, VXE8, VXE9	
	16561-ZE3-000	SPRING, GOVERNOR(L=137.5MM) ..	-	1	-	-	1	HA2, LFU, LKE, LX2, LXE4, LXE5, LXE8, LXQ4, LXU, PA2, PAE2, PKT, PXD8, PXE8, PXU, QA2, QA26, QA4, QAA2, QAA6, QAE2, QAE4, QAE6, QC1, QC2, QC3, QC4, QC5, QC6, QC9, QCDW, QCE2, QCWT, QDW9, QE, QHB4, QK4, QKA4, QMAH, QME0, QNE2, QNE8, QNR2, QNR6, QNRV, QWA4, QWC, QWC4, QWT2, QXAC, QXB7, QXB9, QXC4, QXC6, QXC9, QXCU, QXE4, QXE6, QXE7, QXE8, QXE9, QXEM, QXER, QXQ4, QXS4, QXU, QXUM, QXUZ, SC1, SCC, SCK4, SCM, SCM1, SCM2, SCM3, SCMV, SE1C, SE2C, SHQ4, SHQ5, SHQ6, SM32, SMC1, SMD3, SME0, SME6, SMSC, SMX2, SMXC, SNC, STC4, SWA4, SXB7, SXBG, SXE4, SXE8, SXM, SXQ4, SXU, VN27, VSB9, VXB7, VXB9, VXE2, VXE7, VXE9	
	16561-ZF6-W32	SPRING, GOVERNOR	-	1	-	-	-	VA2, VM2, VXQ4	
	16561-ZF6-T21	-	1	-	-	-	VSD7	
	16561-ZK6-D70	-	-	-	1	-	ED6, EDD2, EDS6, EDT6, SXS6, VAA1, VKE4, VKER, VKX4, VKXR, VPP9, VSD4, VWC, VWE, VWS, VWS1	
	16561-ZE3-000	SPRING, GOVERNOR(L=137.5MM) ..	-	-	-	1	-	PXM8, QAGN, QNB2, QNGN, QTT, QWA2, SDQ5, SMES, VDE2	



E-22

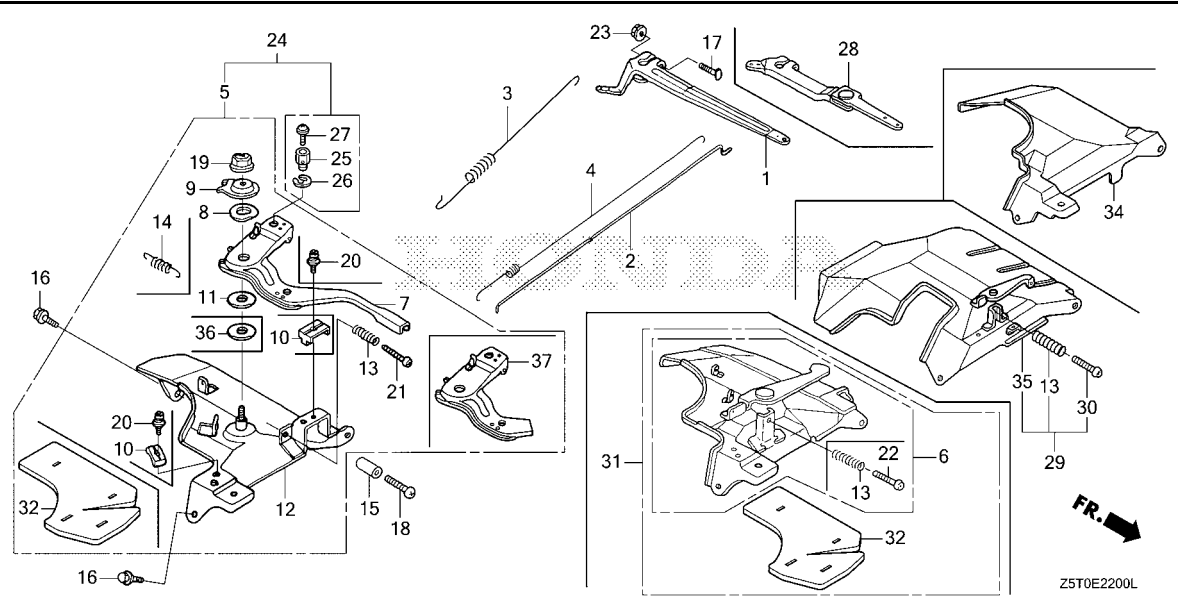
CONTROL

Ref. No.	Part No.	Description	Reqd. QTY					Serial No.	Parts catalogue code
			GX 390 UT1	GX 390 UT2	GX 390 RT1	GX 390 RT2	GX 390 UT2X		
(3)	16561-ZF6-T21	SPRING, GOVERNOR.....	-	-	-	1	-	VAG2, VK2, VKB2	
	16561-ZBH-000	-	-	-	1	-	VC2, VCF, VCT, VCT2, VEP9, VPE5, VPE9, VPX4, VPX9, VXF, VXG, VXT	
	16561-ZE3-710	SPRING, GOVERNOR(L=132.0MM) ..	-	-	-	1	-	VWT4	
4	16562-ZE3-000	SPRING, THROTTLE RETURN.....	1	1	1	-	1	HA2, LFU, LKE, LX2, LXE4, LXE5, LXE8, LXQ4, LXU, PA2, PAE2, PKT, PXD8 PXE8, PXU, QA2, QA26, QA4, QAA2, QAA6, QAE2, QAE4, QAE6, QAW, QC2 QDW9, QE, QHB4, QK4, QKA4, QMAH, QME0, QME2, QNB2, QNE2, QNE6, QNE8 QNR2, QNR6, QNRV, QTT, QWA2, QWA4, QWC, QWC4, QWT2, QXAC, QXB7, QXB9 QXC4, QXC6, QXC9, QXCU, QXE4, QXE6, QXE7, QXE8, QXE9, QXEM, QXER QXH9, QXQ4, QXS2, QXS4, QXU, QXUM, QXUZ, SCK4, SHQ2, SHQ4, SHQ5 SHQ6, SM32, SMC1, SMC2, SMD3, SME0, SME6, SMSC, SMX2, SMXC, SNC STC4, SWA2, SWA4, SXB7, SXB9, SXBG, SXE4, SXE8, SXEM, SXQ4, SXU, VA2 VAA1, VAA8, VAG2, VDE2, VEP9, VK2, VKE4, VKX4, VM2, VN27, VNG1, VPE5 VPE9, VPX2, VPX4, VPX9, VS49, VSB9, VSD4, VSD7, VSD9, VTH4, VWC9 VWT4, VX8, VXB7, VXB9, VXE2, VXE6, VXE7, VXE8, VXE9, VXQ4 VAC2, VC2, VCN2, VCN2, VD2, VKB2, VWC, VWE, VXG	
	16562-ZE3-700	1	-	1	-	-	QC1, QC3, QC4, QC5, QC6, QC9, QCDW, QCE2, QCWT, SC1, SCC, SCM, SCM1 SCM2, SCM3, SCMV, SE1C, SE2C	
	16562-ZE2-700	-	1	-	-	1	ED6, EDD2, EDS6, EDT6, SXS6, VC2, VCF, VCT, VCT2, VKB2, VKE4, VKER VKX4, VKXR, VWC, VWE, VWS, VWS1, VXF, VXG, VXT	
	16562-ZE3-700	-	-	-	1	-	PXM8, QAGN, QNB2, QNGN, QTT, QWA2, SDQ5, SMES, VAA1, VAG2, VDE2 VEP9, VK2, VPE5, VPE9, VPP9, VPX4, VPX9, VSD4, VWC9, VWT4	
	16562-ZE3-000	-	-	-	1	-	HA2, LX2, LXE4, LXE8, LXQ4, LXU, PA2, PAE2, PXD8, PXE8, PXU, QA2 QA26, QA4, QAA2, QAA6, QAE2, QAE4, QAE6, QAW, QE, QME0, QME2, QNB2 QNE2, QNE6, QNE8, QNR2, QNR6, QTT, QWA2, QWA4, QWC4, QWT2, QXB7 QXB9, QXC4, QXC6, QXC9, QXCU, QXE4, QXE6, QXE7, QXE8, QXE9, QXER QXH9, QXQ4, QXS2, QXS4, QXU, QXUZ, SHQ2, SHQ4, SME0, SWA2, SWA4 SXB7, SXB9, SXE4, SXE8, SXQ4, SXU, VA2, VM2	
5	16570-ZE3-W20	CONTROL ASSY. (REMOTE)	1	-	1	-	-	VDE2, VXE2, VXE6, VXQ4	
	16570-ZE3-W00	CONTROL ASSY. (STD.)	1	-	1	-	-	VNG1	
	16570-ZE3-W30	CONTROL ASSY.	1	-	1	-	-	VN27	
	16570-ZK3-720	1	-	-	-	-	VXB7, VXB9, VXE7, VXE9	
	16570-ZK3-870	1	-	-	-	-	VDE2, VXE2, VXQ4	
	16500-Z5T-000	CONTROL ASSY. (STD.)	-	1	-	1	1	VDE2, VXE2, VXQ4	
	16500-Z5T-307	CONTROL ASSY. (REMOTE) (FOR U.S.A.)	-	1	-	1	-	HA2, LX2, LXE4, LXE8, LXQ4, LXU, PA2, PAE2, PKT, PXD8, PXE8, PXM8 PXU, QA2, QA26, QA4, QAA2, QAA6, QAE2, QAE4, QAE6, QC3, QC5, QC6, QC9 QCWT, QE, QME0, QNB2, QNE2, QNE8, QNGN, QNR2, QNR6, QTT, QWA2, QWA4 QWC4, QWT2, QXB7, QXB9, QXC6, QXC9, QXCU, QXE4, QXE6, QXE7, QXE8 QXE9, QXEM, QXER, QXQ4, QXU, QXUM, QXUZ, SDQ5, SHQ4, SHQ5, SHQ6 SME0, SWA4, SXB7, SXE4, SXE8, SXQ4, SXU, VA2, VM2	
	16500-Z5T-810	CONTROL ASSY. (REMOTE)(ROD) ...	-	1	-	1	-	HA2, LX2, LXE4, LXE8, LXQ4, LXU, PA2, PAE2, PXD8, PXE8, PXM8, PXU QA2, QA26, QA4, QAA2, QAA6, QAE2, QAE4, QAE6, QAGN, QC9, QE, QME0 QNB2, QNE2, QNE8, QNGN, QNR2, QNR6, QNRV, QTT, QWA2, QWA4, QWC, QWC4 QWT2, QXAC, QXB7, QXB9, QXC6, QXC9, QXCU, QXE4, QXE6, QXE7, QXE8 QXE9, QXEM, QXER, QXQ4, QXU, QXUM, QXUZ, SDQ5, SHQ4, SHQ5, SHQ6 SME0, SMES, SWA4, SXB7, SXE4, SXE8, SXQ4, SXU, VA2, VM2	
	16500-Z5T-305	CONTROL ASSY. (FOR U.S.A.)	-	1	-	1	-	VDE2, VXE2, VXQ4	
	16500-Z5T-940	CONTROL ASSY. (REMOTE)(ROD) ...	-	1	-	-	1	QC1, QC4, QXC4, QXS4	
	16500-Z5T-840	CONTROL ASSY.	-	1	-	-	1	VN27	
	16500-Z5T-850	-	1	-	-	1	VXB7, VXE7	
	16500-Z5T-407	CONTROL ASSY. (FOR U.S.A.)	-	1	-	-	-	QC1, QC4, QXC4, QXS4	
	16500-Z5T-308	CONTROL ASSY. (REMOTE)(COO) (FOR U.S.A.)	-	1	-	-	-	VN27	
	16500-Z5T-950	CONTROL ASSY.	-	1	-	-	-	VSB9	
	16500-Z5T-309	CONTROL ASSY. (COO)(FOR U.S.A.)	-	1	-	-	-	VXB7, VXB9, VXE7, VXE9	
	16500-Z5T-850	CONTROL ASSY.	-	1	-	-	-	2142371 VXB9, VXE9	
	16500-Z5T-950	-	1	-	-	-	2142372 VXB9, VXE9	



E-22

CONTROL



Ref. No.	Part No.	Description	Reqd. QTY					Serial No.	Parts catalogue code
			GX 390 UT1	GX 390 UT2	GX 390 RT1	GX 390 RT2	GX 390 UT2X		
(5)	16500-Z5T-810	CONTROL ASSY.(REMOTE)(ROD) ...	-	-	-	-	1	HA2, LX2, LXE4, LXE8, LXQ4, LXU, PA2, PAE2, PKT, PXD8, PXE8, PXU, QA2, QAA4, QAA2, QAE2, QC3, QC5, QC6, QC9, QCWT, QE, QME0, QNE2, QNR2, QNRV, QWC, QXAC, QXB7, QXB9, QXE4, QXE6, QXE7, QXE8, QXE9, QXEM, QXER, QXQ4, QXU, QXUM, QXUZ, SCMV, SHQ4, SHQ5, SHQ6, SME0, SWA4, SXB7, SXE4, SXQ4	
	16500-Z5T-950	CONTROL ASSY.	-	-	-	-	1	VS B9, VXB9, VXE9	
6	16570-ZE3-721	CONTROL ASSY.	1	-	1	-	-	VAC2, VAG2, VC2, VC2N, VCN2, VD2, VK2, VKB2, VPE5, VPX2, VPX4, VWT4, VX8, VXE8, VXG	
	16570-ZK3-D21	1	-	1	-	-	VEP9, VPE9, VPX9, VSD7, VSD9, VMC9	
	16500-Z5T-870	-	1	-	1	1	VAG2, VC2, VCF, VCT, VCT2, VK2, VKB2, VPE5, VPX4, VWT4, VX8, VXE8, VXF, VXG, VXT	
	16501-Z5T-307	CONTROL ASSY.(FOR U.S.A.)	-	1	-	1	-	VAG2, VC2, VCT, VCT2, VK2, VKB2, VPE5, VPX4, VWT4, VX8, VXE8, VXG	
7	16571-ZE3-W00	LEVER, CONTROL	1	1	1	1	1	HA2, LKE, LX2, LXE4, LXE5, LXE8, LXQ4, LXU, PA2, PAE2, PKT, PXD8, PXE8, PXM8, PXU, QA2, QA26, QA4, QAA2, QAA6, QAE2, QAE4, QAE6, QAGN, QAW, QC1, QC2, QC3, QC4, QC5, QC6, QC9, QCDW, QCE2, QCWT, QDW9, QE, QHB4, QK4, QKA4, QMAH, QME0, QME2, QNB2, QNE2, QNE6, QNE8, QNGN, QNR2, QNR6, QNRV, QTT, QWA2, QWA4, QWC, QWC4, QWT2, QXAC, QXB7, QXB9, QXC4, QXC6, QXC9, QXCU, QXE4, QXE6, QXE7, QXE8, QXE9, QXEM, QXER, QXH9, QXQ4, QXS2, QXS4, QXU, QXUM, QXUZ, SC1, SCC, SCK4, SCM, SCM1, SCM3, SCMV, SDQ5, SE1C, SE2C, SHQ2, SHQ4, SHQ5, SHQ6, SM32, SMC1, SMC2, SMD3, SME0, SME6, SMES, SMSC, SMX2, SMXC, SNC, STC4, SWA2, SWA4, SXB7, SXB9, SXBG, SXE4, SXE8, SXEM, SXQ4, SXU, VA2, VDE2, VM2, VSB9, VXB7, VXB9, VXE2, VXE6, VXE7, VXE9, VXQ4	
	16571-ZE3-W10	1	1	1	-	1	VN27, VNG1	



E-22

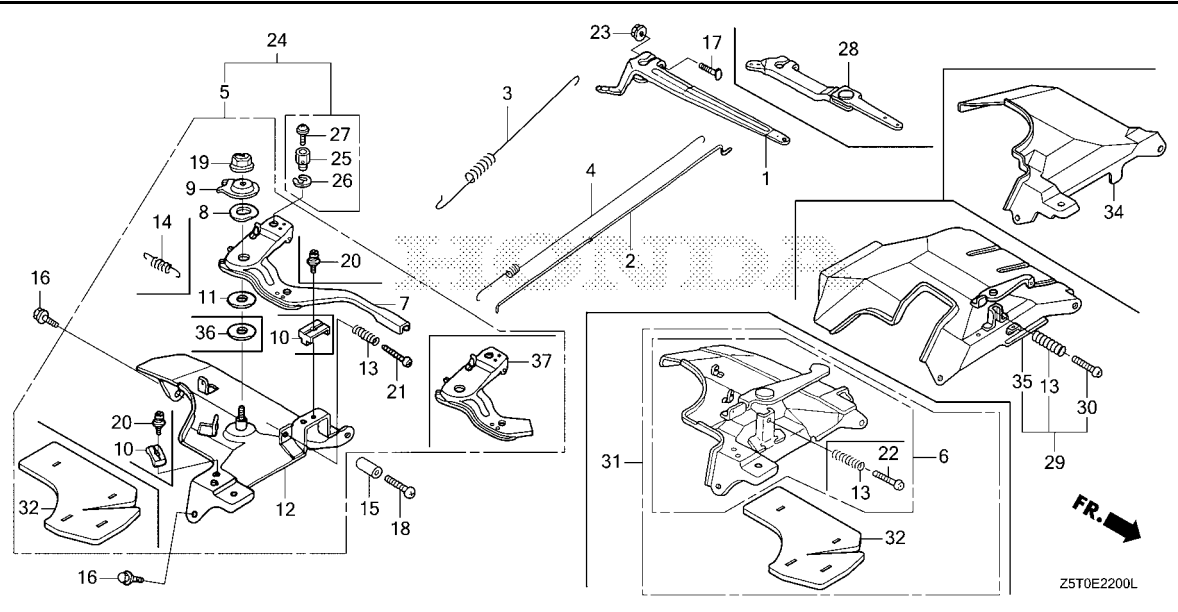
CONTROL

Ref. No.	Part No.	Description	Reqd. QTY					Serial No.	Parts catalogue code
			GX 390 UT1	GX 390 UT2	GX 390 RT1	GX 390 RT2	GX 390 UT2X		
8	16574-ZE1-000	SPRING, LEVER	1	1	1	1	1	-----	HA2, LFU, LKE, LX2, LXE4, LXE5, LXE8, LXQ4, LXU, PA2, PAE2, PKT, PXD8, PXE8, PXM8, PXU, QA2, QA26, QA4, QAA2, QAA6, QAE2, QAE4, QAE6, QAGN, QAW, QC1, QC2, QC3, QC4, QC5, QC6, QC9, QCDW, QCE2, QCWT, QDW9, QE, QHB4, QK4, QKA4, QMAH, QME0, QME2, QNB2, QNE2, QNE6, QNE8, QNGN, QNR2, QNR6, QNRV, QTT, QWA2, QWA4, QWC, QWC4, QWT2, QXAC, QXB7, QXB9, QXC4, QXC6, QXC9, QXCU, QXE4, QXE6, QXE7, QXE8, QXE9, QXEM, QXER, QXH9, QXQ4, QXS2, QXS4, QXU, QXUM, QXUZ, SC1, SCC, SCK4, SCM, SCM1, SCM2, SCM3, SCMV, SDQ5, SE1C, SE2C, SHQ2, SHQ4, SHQ5, SHQ6, SM32, SMC1, SMC2, SMD3, SME0, SME6, SMES, SMSC, SMX2, SMXC, SNC, STC4, SWA2, SWA4, SXB7, SXB9, SXBG, SXE4, SXE8, SXEM, SXQ4, SXU, VA2, VDE2, VM2, VN27, VNG1, VSB9, VXB7, VXB9, VXE2, VXE6, VXE7, VXE9, VXQ4
9	16575-ZE2-W00	WASHER, CONTROL LEVER	1	1	1	1	1	-----	HA2, LFU, LKE, LX2, LXE4, LXE5, LXE8, LXQ4, LXU, PA2, PAE2, PKT, PXD8, PXE8, PXM8, PXU, QA2, QA26, QA4, QAA2, QAA6, QAE2, QAE4, QAE6, QAGN, QAW, QC1, QC2, QC3, QC4, QC5, QC6, QC9, QCDW, QCE2, QCWT, QDW9, QE, QHB4, QK4, QKA4, QMAH, QME0, QME2, QNB2, QNE2, QNE6, QNE8, QNGN, QNR2, QNR6, QNRV, QTT, QWA2, QWA4, QWC, QWC4, QWT2, QXAC, QXB7, QXB9, QXC4, QXC6, QXC9, QXCU, QXE4, QXE6, QXE7, QXE8, QXE9, QXEM, QXER, QXH9, QXQ4, QXS2, QXS4, QXU, QXUM, QXUZ, SC1, SCC, SCK4, SCM, SCM1, SCM2, SCM3, SCMV, SDQ5, SE1C, SE2C, SHQ2, SHQ4, SHQ5, SHQ6, SM32, SMC1, SMC2, SMD3, SME0, SME6, SMES, SMSC, SMX2, SMXC, SNC, STC4, SWA2, SWA4, SXB7, SXB9, SXBG, SXE4, SXE8, SXEM, SXQ4, SXU, VA2, VDE2, VM2, VN27, VNG1, VSB9, VXB7, VXB9, VXE2, VXE6, VXE7, VXE9, VXQ4
10	16576-891-000	HOLDER, CABLE	1	1	1	1	1	-----	HA2, LFU, LKE, LX2, LXE4, LXE5, LXE8, LXQ4, LXU, PA2, PAE2, PKT, PXD8, PXE8, PXM8, PXU, QA2, QA26, QA4, QAA2, QAA6, QAE2, QAE4, QAE6, QAGN, QAW, QC1, QC2, QC3, QC4, QC5, QC6, QC9, QCDW, QCE2, QCWT, QDW9, QE, QHB4, QK4, QKA4, QMAH, QME0, QME2, QNB2, QNE2, QNE6, QNE8, QNGN, QNR2, QNR6, QNRV, QTT, QWA2, QWA4, QWC, QWC4, QWT2, QXAC, QXB7, QXB9, QXC4, QXC6, QXC9, QXCU, QXE4, QXE6, QXE7, QXE8, QXE9, QXEM, QXER, QXH9, QXQ4, QXS2, QXS4, QXU, QXUM, QXUZ, SC1, SCC, SCK4, SCM, SCM1, SCM2, SCM3, SCMV, SDQ5, SE1C, SE2C, SHQ2, SHQ4, SHQ5, SHQ6, SM32, SMC1, SMC2, SMD3, SME0, SME6, SMES, SMSC, SMX2, SMXC, SNC, STC4, SWA2, SWA4, SXB7, SXB9, SXBG, SXE4, SXE8, SXEM, SXQ4, SXU, VA2, VM2
11	16578-ZE1-000	SPACER, CONTROL LEVER	1	-	1	1	-	-----	HA2, LKE, LX2, LXE4, LXE8, LXQ4, LXU, PA2, PAE2, PXD8, PXE8, PXM8, PXU, QA2, QA26, QA4, QAA2, QAA6, QAE2, QAE4, QAE6, QAGN, QAW, QC2, QDW9, QE, QHB4, QK4, QKA4, QMAH, QME0, QME2, QNB2, QNE2, QNE6, QNE8, QNGN, QNR2, QNR6, QTT, QWA2, QWA4, QWC4, QWT2, QXB7, QXB9, QXC4, QXC6, QXC9, QXCU, QXE4, QXE6, QXE7, QXE8, QXE9, QXER, QXH9, QXQ4, QXS2, QXS4, QXU, QXUZ, SCK4, SDQ5, SHQ2, SHQ4, SM32, SMC1, SMC2, SMD3, SME0, SME6, SMES, SNC, STC4, SWA2, SWA4, SXB7, SXB9, SXE4, SXE8, SXQ4, SXU, VA2, VDE2, VM2, VN27, VNG1, VXB7, VXB9, VXE2, VXE6, VXE7, VXE9, VXQ4
	16981-ZE2-P50	WASHER, PLAIN	-	1	-	-	-	-----	VSB9
	16578-ZE1-000	SPACER, CONTROL LEVER	-	1	-	-	-	2142371	VXB9, VXE9
	16981-ZE2-P50	WASHER, PLAIN	-	1	-	-	-	2142372	VXB9, VXE9
			-	-	-	1	-	-----	VSB9, VXB9, VXE9



E-22

CONTROL



Z5T0E2200L

Ref. No.	Part No.	Description	Reqd. QTY					Serial No.	Parts catalogue code
			GX 390 UT1	GX 390 UT2	GX 390 RT1	GX 390 RT2	GX 390 UT2X		
12	16581-ZE3-W00	BASE COMP., CONTROL(###).....	1	-	1	-	-	HA2, LKE, LX2, LXE4, LXE8, LXQ4, LXU, PA2, PAE2, PXD8, PXE8, PXU, QA2, QA26, QA4, QAA2, QAA6, QAE2, QAE4, QAE6, QAW, QC2, QDW9, QE, QHB4, QK4, QKA4, QME0, QME2, QNB2, QNE2, QNE6, QNE8, QNR2, QNR6, QTT, QWA2, QWA4, QWC4, QWT2, QXB7, QXB9, QXC4, QXC6, QXC9, QXCU, QXE4, QXE6, QXE7, QXE8, QXE9, QXER, QXH9, QXQ4, QXS2, QXS4, QXU, QXUZ, SCK4, SHQ2, SHQ4, SM32, SMC1, SMC2, SMD3, SME0, SME6, SNC, STC4, SWA2, SWA4, SXB7, SXB9, SXE4, SXE8, SXQ4, SXU, VA2, VDE2, VM2, VNG1, VXE2, VXE6, VXQ4	
	16580-Z5T-000	BASE COMP., CONTROL.....	-	1	-	1	1	HA2, LFU, LKE, LX2, LXE4, LXE5, LXE8, LXQ4, LXU, PA2, PAE2, PKT, PXD8, PXE8, PXM8, PXU, QA2, QA26, QA4, QAA2, QAA6, QAE2, QAE4, QAE6, QAGN, QC2, QC3, QC5, QC6, QC9, QCDW, QCE2, QCWT, QDW9, QE, QHB4, QK4, QKA4, QMAH, QME0, QNB2, QNE2, QNE8, QNGN, QNR2, QNR6, QNRV, QTT, QWA2, QWA4, QWC, QWC4, QWT2, QXAC, QXB7, QXB9, QXC6, QXC9, QXCU, QXE4, QXE6, QXE7, QXE8, QXE9, QXEM, QXER, QXQ4, QXU, QXUM, QXUZ, SCC, SCK4, SCM, SCM1, SCM2, SCM3, SCMV, SDQ5, SE1C, SE2C, SHQ4, SHQ5, SHQ6, SM32, SMC1, SME0, SME6, SMES, SMSC, SMX2, SMXC, STC4, SWA4, SXB7, SXBG, SXE4, SXE8, SXEM, SXQ4, SXU, VA2, VDE2, VM2, VXE2, VXQ4	
	16580-Z5T-920	-	1	-	-	1	QC1, QC4, QXC4, QXS4, SC1, SMD3, SNC	
	16580-Z5T-850	-	1	-	-	1	VN27, VSB9, VXB7, VXB9, VXE7, VXE9	



E-22

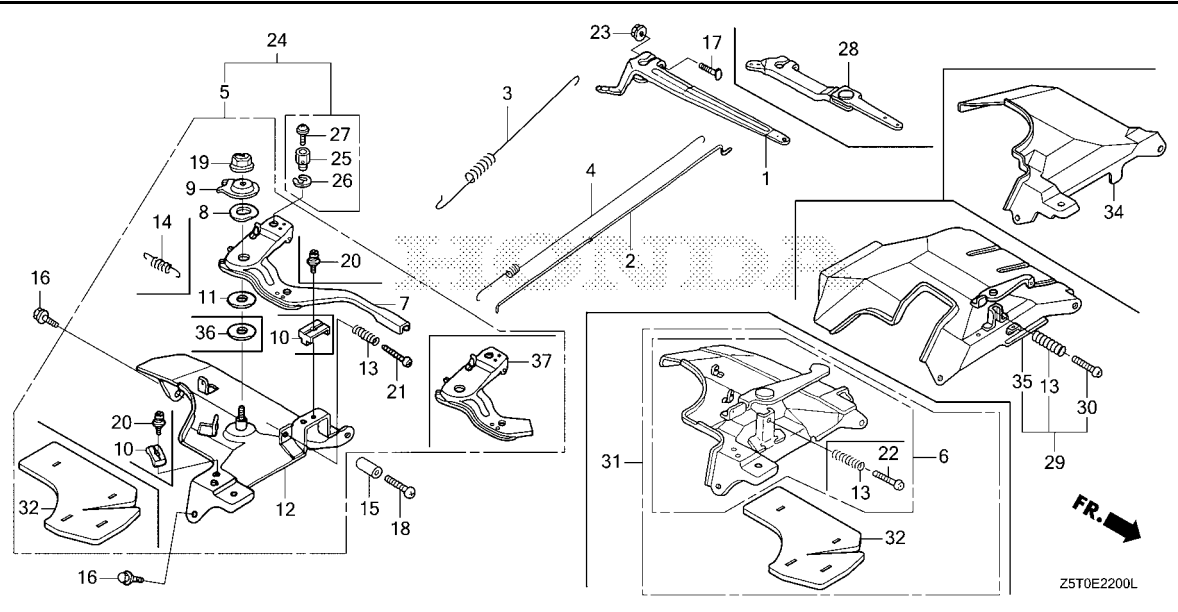
CONTROL

Ref. No.	Part No.	Description	Reqd. QTY					Serial No.	Parts catalogue code
			GX 390 UT1	GX 390 UT2	GX 390 RT1	GX 390 RT2	GX 390 UT2X		
13	16584-883-300	SPRING, CONTROL ADJUSTING	1	1	1	1	1	-----	ED6, EDD2, EDS6, EDT6, HA2, LFU, LKE, LX2, LXE4, LXE5, LXE8, LXQ4, LXU, PA2, PAE2, PKT, PxD8, PXE8, PXM8, PXU, QA2, QA26, QA4, QAA2, QAA6, QAE2, QAE4, QAE6, QAGN, QAW, QC1, QC2, QC3, QC4, QC5, QC6, QC9, QCDW, QCE2, QCWT, QDW9, QE, QHB4, QK4, QKA4, QMAH, QME0, QME2, QNB2, QNE2, QNE6, QNE8, QNGN, QNR2, QNR6, QNRV, QTT, QWA2, QWA4, QWC, QWC4, QWT2, QXAC, QXB7, QXB9, QXC4, QXC6, QXC9, QXCU, QXE4, QXE6, QXE7, QXE8, QXE9, QXEM, QXER, QXH9, QXQ4, QXS2, QXS4, QXU, QXUM, QXUZ, SC1, SCC, SCK4, SCM, SCM1, SCM2, SCM3, SCMV, SDQ5, SE1C, SE2C, SHQ2, SHQ4, SHQ5, SHQ6, SM32, SMC1, SMC2, SMD3, SME0, SME6, SMES, SMSC, SMX2, SMXC, SNC, STC4, SWA2, SWA4, SxB7, SxB9, SxBG, SXE4, SXE8, SXEM, SXQ4, SXS6, SXU, VA2, VAA1, VAA8, VAC2, VAG2, VC2, VC2N, VCF, VCN2, VCT, VCT2, VD2, VDE2, VEP9, VK2, VKB2, VKE4, VKER, VKX4, VKXR, VM2, VN27, VNG1, VPE5, VPE9, VPP9, VPX2, VPX4, VPX9, VS49, VSB9, VSD4, VSD7, VSD9, VTH4, VWC, VWC9, VWE, VWS, VWS1, VWT4, VX8, VXB7, VXB9, VXE2, VXE6, VXE7, VXE8, VXE9, VXF, VXG, VXQ4, VXT
14	16592-883-310	SPRING, CABLE RETURN	1	1	1	1	1	-----	HA2, LFU, LKE, LX2, LXE4, LXE5, LXE8, LXQ4, LXU, PA2, PAE2, PKT, PxD8, PXE8, PXM8, PXU, QA2, QA26, QA4, QAA2, QAA6, QAE2, QAE4, QAE6, QAGN, QAW, QC1, QC2, QC3, QC4, QC5, QC6, QC9, QCDW, QCE2, QCWT, QDW9, QE, QHB4, QK4, QKA4, QMAH, QME0, QME2, QNB2, QNE2, QNE6, QNE8, QNGN, QNR2, QNR6, QNRV, QTT, QWA2, QWA4, QWC, QWC4, QWT2, QXAC, QXB7, QXB9, QXC4, QXC6, QXC9, QXCU, QXE4, QXE6, QXE7, QXE8, QXE9, QXEM, QXER, QXH9, QXQ4, QXS2, QXS4, QXU, QXUM, QXUZ, SC1, SCC, SCK4, SCM, SCM1, SCM2, SCM3, SCMV, SDQ5, SE1C, SE2C, SHQ2, SHQ4, SHQ5, SHQ6, SM32, SMC1, SMC2, SMD3, SME0, SME6, SMES, SMSC, SMX2, SMXC, SNC, STC4, SWA2, SWA4, SxB7, SxB9, SxBG, SXE4, SXE8, SXEM, SXQ4, SXU, VA2, VM2, LKE, LXE4, LXE5, LXQ4, QC1, QC5, QC6, QE, QHB4, QK4, QKA4, QME0, QME2, QWA4, QWC4, QXAC, QXB7, QXB9, QXC4, QXE4, QXE7, QXE9, QXH9, QXQ4, SC1, SCK4, SCMV, SDQ5, SHQ2, SHQ4, SHQ5, SHQ6, SMC1, SMC2, SMD3, SME0, SME6, SMES, SNC, STC4, SWA2, SWA4, SxB7, SxB9, SXE4, SXEM, SXQ4, VEP9, VN27, VNG1, VPE5, VPE9, VPP9, VPX2, VPX4, VPX9, VSB9, VSD7, VSD9, VWC9, VWT4, VXB7, VXB9, VXE7, VXE9, VXQ4
15	16599-ZG1-M10	COLLAR, STOPPER	(1)	(1)	(1)	(1)	(1)	-----	



E-22

CONTROL



Z5T0E2200L

Ref. No.	Part No.	Description	Reqd. QTY					Serial No.	Parts catalogue code
			GX 390 UT1	GX 390 UT2	GX 390 RT1	GX 390 RT2	GX 390 UT2X		
16	90013-883-000	BOLT, FLANGE, 6X12(CT200).....	2	2	2	2	-	ED6, EDD2, EDS6, EDT6, HA2, LFU, LKE, LX2, LXE4, LXE5, LXE8, LXQ4, LXU, PA2, PAE2, PKT, PXD8, PXE8, PXM8, PXU, QA2, QA26, QA4, QAA2, QAA6, QAE2, QAE4, QAE6, QAGN, QAW, QC1, QC2, QC3, QC4, QC5, QC6, QC9, QCDW, QCE2, QCWT, QDW9, QE, QHB4, QK4, QKA4, QMAH, QME0, QME2, QNB2, QNE2, QNE6, QNE8, QNGN, QNR2, QNR6, QNRV, QTT, QWA2, QWA4, QWC, QWC4, QWT2, QXAC, QXB7, QXB9, QXC4, QXC6, QXC9, QXCU, QXE4, QXE6, QXE7, QXE8, QXE9, QXEM, QXER, QXH9, QXQ4, QXS2, QXS4, QXU, QXUM, QXUZ, SC1, SCC, SCK4, SCM, SCM1, SCM2, SCM3, SDQ5, SHQ2, SHQ4, SHQ5, SHQ6, SM32, SMC1, SMC2, SMD3, SME0, SME6, SMES, SMSC, SMX2, SMXC, SNC, STC4, SWA2, SWA4, SXB7, SXB9, SXBG, SXE4, SXE8, SXEM, SXQ4, SXS6, SXU, VA2, VAA1, VAA8, VAC2, VAG2, VC2, VC2N, VCF, VCN2, VCT, VCT2, VD2, VDE2, VEP9, VK2, VKB2, VKE4, VKER, VKX4, VKXR, VM2, VN27, VNG1, VPE5, VPE9, VPP9, VPX2, VPX4, VPX9, VS49, VSB9, VSD4, VSD7, VSD9, VTH4, VWC, VWC9, VWE, VWS, VWS1, VWT4, VX8, VXB7, VXB9, VXE2, VXE6, VXE7, VXE8, VXE9, VXF, VVG, VXQ4, VXT	
			-	3	-	-	-	QZA2, QZAV, QZC, QZD, QZDS, QZHW, QZME, QZN2, QZND, QZNH, QZNR, QZRL, QZRV, QZX9, QZXR, SZEC, VZS9, VZX7, VZX8	
			-	-	-	3	-	EZD2, EZDM, EZDS, EZDV, VZC2, VZP9, VZWE, VZXZ	
			-	-	-	-	2	HA2, LFU, LKE, LX2, LXE4, LXE5, LXE8, LXQ4, LXU, PA2, PAE2, PKT, PXD8, PXE8, PXU, QA2, QA4, QAA2, QAE2, QC1, QC3, QC5, QC6, QC9, QCDW, QCE2, QCWT, QE, QHB4, QK4, QKA4, QMAH, QME0, QNE2, QNR2, QNRV, QWC, QXAC, QXB7, QXB9, QXE4, QXE6, QXE7, QXE8, QXE9, QXEM, QXER, QXQ4, QXU, QXUM, QXUZ, SC1, SCC, SCK4, SCM, SCM1, SCM3, SCMV, SE1C, SE2C, SHQ4, SHQ5, SHQ6, SM32, SMC1, SMD3, SME0, SME6, SMX2, STC4, SWA4, SXB7, SXBG, SXE4, SXEM, SXQ4, VN27, VSB9, VSD9, VX8, VXB7, VXB9, VXE2, VXE7, VXE8, VXE9	
17	90015-ZE5-010	BOLT, GOVERNOR ARM.....	1	-	1	-	-	QZA2, QZAV, QZD, QZHW, QZN2, QZNR, QZRL, QZXR, VZX7, VZX8	

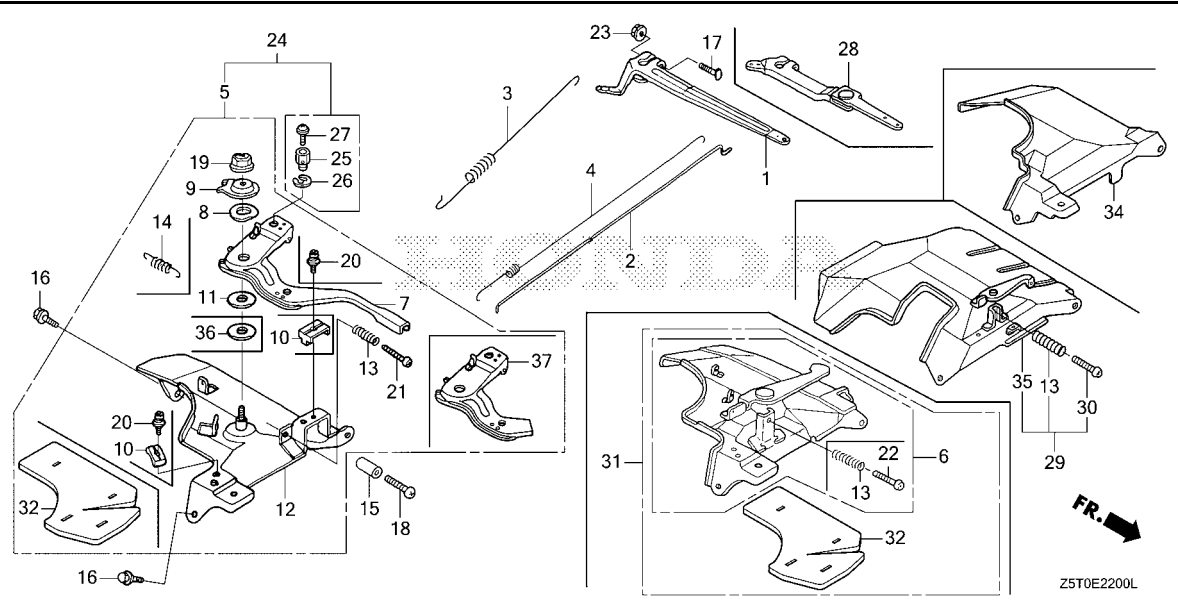


E-22

CONTROL

Ref. No.	Part No.	Description	Reqd. QTY					Serial No.	Parts catalogue code
			GX 390 UT1	GX 390 UT2	GX 390 RT1	GX 390 RT2	GX 390 UT2X		
17)	90015-Z5T-000	BOLT, GOVERNOR ARM.....	-	1	-	1	1	-----	ED6, EDD2, EDS6, EDT6, HA2, LFU, LKE, LX2, LXE4, LXE5, LXE8, LXQ4 LXU, PA2, PAE2, PKT, PxD8, PXE8, PXM8, PXU, QA2, QA26, QA4, QAA2 QAA6, QAE2, QAE4, QAE6, QAGN, QC1, QC2, QC3, QC4, QC5, QC6, QC9, QCDW QCE2, QCWT, QDW9, QE, QHB4, QK4, QKA4, QMAH, QME0, QNB2, QNE2, QNE8 QNGN, QNR2, QNR6, QNRV, QTT, QWA2, QWA4, QWC, QWC4, QWT2, QXAC, QXB7 QXB9, QXC4, QXC6, QXC9, QXCU, QXE4, QXE6, QXE7, QXE8, QXE9, QXEM QXER, QXQ4, QXS4, QXU, QXUM, QXUZ, SC1, SCC, SCK4, SCM, SCM1, SCM2 SCM3, SCMV, SDQ5, SE1C, SE2C, SHQ4, SHQ5, SHQ6, SM32, SMC1, SMD3 SME0, SME6, SMES, SMSC, SMX2, SMXC, SNC, STC4, SWA4, SXB7, SXBG SXE4, SXE8, SXEM, SXQ4, SXS6, SXU, VA2, VAA1, VAG2, VC2, VCF, VCT VCT2, VDE2, VEP9, VK2, VKB2, VKE4, VKER, VKX4, VKXR, VM2, VN27, VPE5 VPE9, VPP9, VPX4, VPX9, VSB9, VSD4, VSD7, VSD9, VWC, VWC9, VWE, VWS VWS1, VWT4, VX8, VXB7, VXB9, VXE2, VXE7, VXE8, VXE9, VXF, VXG, VXQ4 VXT
18	90016-ZG9-N30	SCREW, RECESSED, 5X25.....	(1)	(1)	(1)	(1)	(1)	-----	LKE, LXE4, LXE5, LXQ4, QC1, QC5, QC6, QE, QHB4, QK4, QKA4, QME0, QME2 QWA4, QWC4, QXAC, QXB7, QXB9, QXC4, QXE4, QXE7, QXE9, QXH9, QXQ4 SC1, SCK4, SCMV, SDQ5, SHQ2, SHQ4, SHQ5, SHQ6, SMC1, SMC2, SMD3 SME0, SME6, SMES, SNC, STC4, SWA2, SWA4, SXB7, SXB9, SXE4, SXEM SXQ4, VEP9, VN27, VNG1, VPE5, VPE9, VPP9, VPX2, VPX4, VPX9, VSB9 VSD7, VSD9, VWC9, VWT4, VXB7, VXB9, VXE7, VXE9, VXQ4
19	90114-SA0-000	NUT, SELF-LOCK, 6MM.....	1	1	1	1	1	-----	HA2, LFU, LKE, LX2, LXE4, LXE5, LXE8, LXQ4, LXU, PA2, PAE2, PKT, PxD8 PXE8, PXM8, PXU, QA2, QA26, QA4, QAA2, QAA6, QAE2, QAE4, QAE6, QAGN QAW, QC1, QC2, QC3, QC4, QC5, QC6, QC9, QCDW, QCE2, QCWT, QDW9, QE QHB4, QK4, QKA4, QMAH, QME0, QME2, QNB2, QNE2, QNE6, QNE8, QNGN QNR2, QNR6, QNRV, QTT, QWA2, QWA4, QWC, QWC4, QWT2, QXAC, QXB7, QXB9 QXC4, QXC6, QXC9, QXCU, QXE4, QXE6, QXE7, QXE8, QXE9, QXEM, QXER QXH9, QXQ4, QXS2, QXS4, QXU, QXUM, QXUZ, SC1, SCC, SCK4, SCM, SCM1 SCM2, SCM3, SCMV, SDQ5, SE1C, SE2C, SHQ2, SHQ4, SHQ5, SHQ6, SM32 SMC1, SMC2, SMD3, SME0, SME6, SMES, SMSC, SMX2, SMXC, SNC, STC4 SWA2, SWA4, SXB7, SXB9, SXBG, SXE4, SXE8, SXEM, SXQ4, SXU, VA2, VDE2 VM2, VN27, VNG1, VSB9, VXB7, VXB9, VXE2, VXE6, VXE7, VXE9, VXQ4
	90202-Z1T-000	1	-	1	-	-	-----	HA2, LKE, LX2, LXE4, LXE8, LXQ4, LXU, PA2, PAE2, PxD8, PXE8, PXU, QA2 QA26, QA4, QAA2, QAA6, QAE2, QAE4, QAE6, QAW, QC2, QDW9, QE, QHB4 QK4, QKA4, QME0, QME2, QNB2, QNE2, QNE6, QNE8, QNR2, QNR6, QTT, QWA2 QWA4, QWC4, QWT2, QXB7, QXB9, QXC4, QXC6, QXC9, QXCU, QXE4, QXE6 QXE7, QXE8, QXE9, QXER, QXH9, QXQ4, QXS2, QXS4, QXU, QXUZ, SCK4 SHQ2, SHQ4, SM32, SMC1, SMC2, SMD3, SME0, SME6, SNC, STC4, SWA2 SWA4, SXB7, SXB9, SXE4, SXE8, SXQ4, SXU, VA2, VM2
20	93500-05016-0A	SCREW, PAN, 5X16.....	1	1	1	1	1	-----	HA2, LFU, LKE, LX2, LXE4, LXE5, LXE8, LXQ4, LXU, PA2, PAE2, PKT, PxD8 PXE8, PXM8, PXU, QA2, QA26, QA4, QAA2, QAA6, QAE2, QAE4, QAE6, QAGN QAW, QC1, QC2, QC3, QC4, QC5, QC6, QC9, QCDW, QCE2, QCWT, QDW9, QE QHB4, QK4, QKA4, QMAH, QME0, QME2, QNB2, QNE2, QNE6, QNE8, QNGN QNR2, QNR6, QNRV, QTT, QWA2, QWA4, QWC, QWC4, QWT2, QXAC, QXB7, QXB9 QXC4, QXC6, QXC9, QXCU, QXE4, QXE6, QXE7, QXE8, QXE9, QXEM, QXER QXH9, QXQ4, QXS2, QXS4, QXU, QXUM, QXUZ, SC1, SCC, SCK4, SCM, SCM1 SCM2, SCM3, SCMV, SDQ5, SE1C, SE2C, SHQ2, SHQ4, SHQ5, SHQ6, SM32 SMC1, SMC2, SMD3, SME0, SME6, SMES, SMSC, SMX2, SMXC, SNC, STC4 SWA2, SWA4, SXB7, SXB9, SXBG, SXE4, SXE8, SXEM, SXQ4, SXU, VA2, VM2





Ref. No.	Part No.	Description	Reqd. QTY					Serial No.	Parts catalogue code
			GX 390 UT1	GX 390 UT2	GX 390 RT1	GX 390 RT2	GX 390 UT2X		
21	93500-05032-0A	SCREW, PAN, 5X32	1	1	1	1	1	HA2, LFU, LKE, LX2, LXE4, LXE5, LXE8, LXQ4, LXU, PA2, PAE2, PKT, PXD8, PXE8, PXM8, PXU, QA2, QA26, QA4, QAA2, QAA6, QAE2, QAE4, QAE6, QAGN, QAW, QC1, QC2, QC3, QC4, QC5, QC6, QC9, QCDW, QCE2, QCWT, QDW9, QE, QHB4, QK4, QKA4, QMAH, QME0, QME2, QNB2, QNE2, QNE6, QNE8, QNGN, QNR2, QNR6, QNRV, QTT, QWA2, QWA4, QWC, QWC4, QWT2, QXAC, QXB7, QXB9, QXC4, QXC6, QXC9, QXCU, QXE4, QXE6, QXE7, QXE8, QXE9, QXEM, QXER, QXH9, QXQ4, QXS2, QXS4, QXU, QXUM, QXUZ, SC1, SCC, SCK4, SCM, SCM1, SCM2, SCM3, SCMV, SDQ5, SE1C, SE2C, SHQ2, SHQ4, SHQ5, SHQ6, SM32, SMC1, SMC2, SMD3, SME0, SME6, SMES, SMSC, SMX2, SMXC, SNC, STC4, SWA2, SWA4, SXB7, SXB9, SXBG, SXE4, SXE8, SXEM, SXQ4, SXU, VA2, VDE2, VM2, VN27, VNG1, VSB9, VXB7, VXB9, VXE2, VXE6, VXE7, VXE9, VXQ4, VAC2, VAG2, VC2, VC2N, VCF, VCN2, VCT, VCT2, VD2, VEP9, VK2, VKB2, VPE5, VPE9, VPP9, VPX2, VPX4, VPX9, VSD7, VSD9, VWC9, VWT4, VX8, VXE8, VXF, VXG, VXT	
22	93500-05045-0A	SCREW, PAN, 5X45	1	1	1	1	1	ED6, EDD2, EDS6, EDT6, HA2, LFU, LKE, LX2, LXE4, LXE5, LXE8, LXQ4, LXU, PA2, PAE2, PKT, PXD8, PXE8, PXM8, PXU, QA2, QA26, QA4, QAA2, QAA6, QAE2, QAE4, QAE6, QAGN, QAW, QC1, QC2, QC3, QC4, QC5, QC6, QC9, QCDW, QCE2, QCWT, QDW9, QE, QHB4, QK4, QKA4, QMAH, QME0, QME2, QNB2, QNE2, QNE6, QNE8, QNGN, QNR2, QNR6, QNRV, QTT, QWA2, QWA4, QWC, QWC4, QWT2, QXAC, QXB7, QXB9, QXC4, QXC6, QXC9, QXCU, QXE4, QXE6, QXE7, QXE8, QXE9, QXEM, QXER, QXH9, QXQ4, QXS2, QXS4, QXU, QXUM, QXUZ, SC1, SCC, SCK4, SCM, SCM1, SCM2, SCM3, SCMV, SDQ5, SE1C, SE2C, SHQ2, SHQ4, SHQ5, SHQ6, SM32, SMC1, SMC2, SMD3, SME0, SME6, SMES, SMSC, SMX2, SMXC, SNC, STC4, SWA2, SWA4, SXB7, SXB9, SXBG, SXE4, SXE8, SXEM, SXQ4, SXS6, SXU, VA2, VAA1, VAA8, VAC2, VAG2, VC2, VC2N, VCF, VCN2, VCT, VCT2, VD2, VDE2, VEP9, VK2, VKB2, VKE4, VKER, VKX4, VKXR, VM2, VN27, VNG1, VPE5, VPE9, VPP9, VPX2, VPX4, VPX9, VS49, VSB9, VSD4, VSD7, VSD9, VTH4, VWC, VWC9, VWE, VWS, VWS1, VWT4, VX8, VXB7, VXB9, VXE2, VXE6, VXE7, VXE8, VXE9, VXF, VXG, VXQ4, VXT	
23	94050-06000	NUT, FLANGE, 6MM	1	1	1	1	1		



E-22

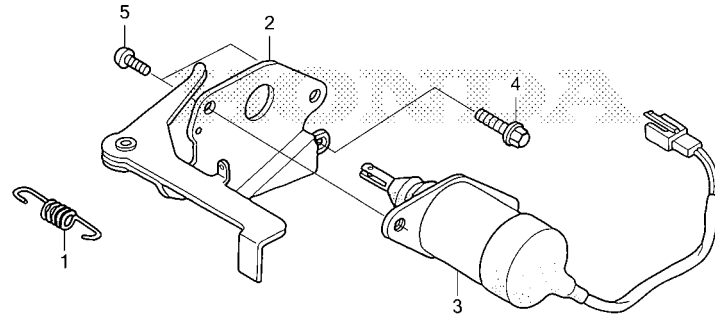
CONTROL

Ref. No.	Part No.	Description	Reqd. QTY					Serial No.	Parts catalogue code
			GX 390 UT1	GX 390 UT2	GX 390 RT1	GX 390 RT2	GX 390 UT2X		
24	16570-ZE3-W40	CONTROL ASSY.(REMOTE) (WITH PLUG)	1	-	-	-	-	LKE	
	16570-ZE3-W10	CONTROL ASSY.(REMOTE)	1	-	-	-	-	QC2, QDW9, QHB4, QK4, QKA4, SCK4, SM32, SMC1, SMC2, SMD3, SME6, SNC	
	16500-Z1C-R60	CONTROL ASSY.	-	1	-	-	1	STC4	
	16500-Z5T-830	CONTROL ASSY.(REMOTE) (WITH PLUG)	-	1	-	-	1	LFU, SCM2	
	16500-Z5T-800	CONTROL ASSY.(REMOTE)	-	1	-	-	1	LKE, LXE5, SCC, SE1C, SXBG, SXEM	
	16500-Z5T-930	CONTROL ASSY.(REMOTE) (WITH RECOIL)	-	1	-	-	1	QC2, QCDW, QCE2, QDW9, QHB4, QK4, QKA4, QMAH, SCK4, SCM, SCM1, SCM3	
	16500-Z5T-306	CONTROL ASSY.(REMOTE) (FOR U.S.A.)	-	1	-	-	-	SE2C, SM32, SMC1, SME6, SMSC, SMX2, STC4	
	16500-Z5T-406	CONTROL ASSY.(COO)(FOR U.S.A.)	-	1	-	-	-	SC1, SMD3, SNC	
	16500-Z5T-P90	CONTROL ASSY.(REMOTE) (WITH PLUG)(FOR U.S.A.)	-	1	-	-	-	QC2, QDW9, QHB4, QK4, QKA4, SCK4, SM32, SMC1, SME6, SMSC, SMX2, SMXC	
25	16594-883-010	HOLDER, WIRE	1	1	-	-	1	STC4	
								SC1, SMD3, SNC	
								SXEM	
26	90605-230-000	CIRCLIP, 5MM	1	1	-	-	1	LFU, LKE, LXE5, QC2, QCDW, QCE2, QDW9, QHB4, QK4, QKA4, QMAH, SC1	
								SCC, SCK4, SCM, SCM1, SCM2, SCM3, SE1C, SE2C, SM32, SMC1, SMC2, SMD3	
								SME6, SMSC, SMX2, SMXC, SNC, STC4, SXBG, SXEM	
27	93500-04006-0H	SCREW, PAN, 4X6	1	1	-	-	1	LFU, LKE, LXE5, QC2, QCDW, QCE2, QDW9, QHB4, QK4, QKA4, QMAH, SC1	
								SCC, SCK4, SCM, SCM1, SCM2, SCM3, SE1C, SE2C, SM32, SMC1, SMC2, SMD3	
								SME6, SMSC, SMX2, SMXC, SNC, STC4, SXBG, SXEM	
28	16550-ZE3-700	ARM COMP., GOVERNOR	1	-	1	1	-	ED6, EDD2, EDS6, EDT6, SXS6, VAC2, VC2, VC2N, VCF, VCN2, VCT, VCT2	
29	16570-ZE3-700	CONTROL ASSY.	1	-	1	-	-	VD2, VKB2, VKE4, VKER, VKX4, VKXR, VWC, VWE, VWS, VWS1, VXF, VXG, VXT	
	16500-Z5T-880	-	-	-	1	-	VAA1, VAA8, VKE4, VKX4, VS49, VSD4, VTH4, VWC, VWE	
	16500-Z5T-408	CONTROL ASSY.(COO)(FOR U.S.A.)	-	-	-	1	-	ED6, EDD2, SXS6, VAA1, VKE4, VKER, VKX4, VKXR, VSD4, VWC, VWE, VWS1	
	16500-Z5T-409	-	-	-	1	-	ED6, EDD2, VAA1, VKE4, VKX4, VSD4, VWC, VWE	
	16500-Z5T-890	CONTROL ASSY.	-	-	-	1	-	EDS6, EDT6, VWS	
30	93500-05035-0A	SCREW, PAN, 5X35	1	-	1	1	-	EDS6, EDT6, VWS	
								ED6, EDD2, EDS6, EDT6, SXS6, VAA1, VAA8, VKE4, VKER, VKX4, VKXR	
								VS49, VSD4, VTH4, VWC, VWE, VWS, VWS1	
31	19620-Z5T-W10	SHROUD ASSY.	-	1	-	1	1	QZHW, QZRL, VZP9, VZS9, VZX7, VZXZ	
	16500-Z5T-860	CONTROL ASSY.	-	1	-	1	1	VEP9, VPE9, VPX9, VSD7, VSD9, VWC9	
	16501-Z5T-306	CONTROL ASSY.(FOR U.S.A.)	-	1	-	1	-	VEP9, VPE9, VPP9, VPX9, VSD7, VSD9, VWC9	
	16500-Z5T-U40	CONTROL ASSY.	-	-	-	1	-	VPP9	
32	16588-Z5T-000	INSURATOR, CONTROL BASE	-	1	-	1	1	QZHW, QZRL, VEP9, VN27, VPE9, VPP9, VPX9, VSB9, VSD7, VSD9, VWC9	
								VXB7, VXB9, VXE7, VXE9, VZP9, VZS9, VZX7, VZXZ	
34	19630-Z5T-W00	SHROUD COMP., UPPER	-	1	-	1	1	QZA2, QZAV, QZC, QZD, QZDS, QZME, QZN2, QZND, QZNH, QZNR, QZRV, QZX9	
								QZXR, SZEC, VZC2, VZX8	
35	19632-ZBH-W00	SHROUD, UPPER	-	-	-	1	-	EZD2, EZDM, EZDS, EZDV, VZWE	
36	16981-ZE2-P50	WASHER, PLAIN	-	1	-	-	-	VSB9	
			-	1	-	-	-	2142372	
			-	-	-	-	1	VXB9, VXE9	
			-	-	-	-	-	VSB9, VXB9, VXE9	
37	16571-Z1C-R60	LEVER, CONTROL	-	1	-	-	1	LFU, SCM2	



E-22-20

AUTO THROTTLE



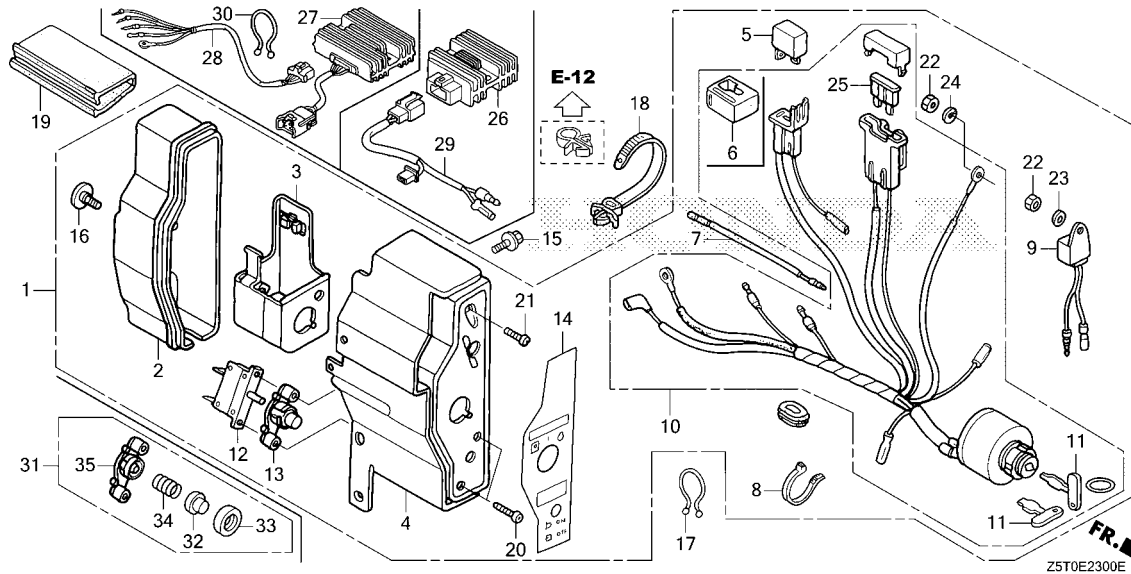
Z5T0E2220A

Ref. No. L.O.N. (Relative ref. Number) Description F.R.T.

Ref. No.	Part No.	Description	Reqd. QTY					Serial No.	Parts catalogue code
			GX 390 UT1	GX 390 UT2	GX 390 RT1	GX 390 RT2	GX 390 UT2X		
1	16268-893-000	SPRING, CHOKE RETURN.....	1	-	1	1	-	-----	ED6, EDD2, EDS6, EDT6, SXS6, VC2, VC2N, VCF, VD2, VMC, VWE, VWS, VWS1 VXF, VXG
2	17850-ZD1-E30	LEVER COMP., THROTTLE.....	1	-	1	1	-	-----	ED6, EDD2, EDS6, EDT6, SXS6, VC2, VC2N, VCF, VD2, VMC, VWE, VWS, VWS1 VXF, VXG
3	36160-ZB4-013	SOLENOID ASSY.....	1	-	1	1	-	-----	ED6, EDD2, EDS6, EDT6, SXS6, VC2, VC2N, VCF, VD2, VMC, VWE, VWS, VWS1 VXF, VXG
4	90013-883-000	BOLT, FLANGE, 6X12(CT200)....	1	-	1	1	-	-----	ED6, EDD2, EDS6, EDT6, SXS6, VC2, VC2N, VCF, VD2, VMC, VWE, VWS, VWS1 VXF, VXG
5	93500-05008-0A	SCREW, PAN, 5X8.....	2	-	2	2	-	-----	ED6, EDD2, EDS6, EDT6, SXS6, VC2, VC2N, VCF, VD2, VMC, VWE, VWS, VWS1 VXF, VXG

E-23

CONTROL BOX(1)



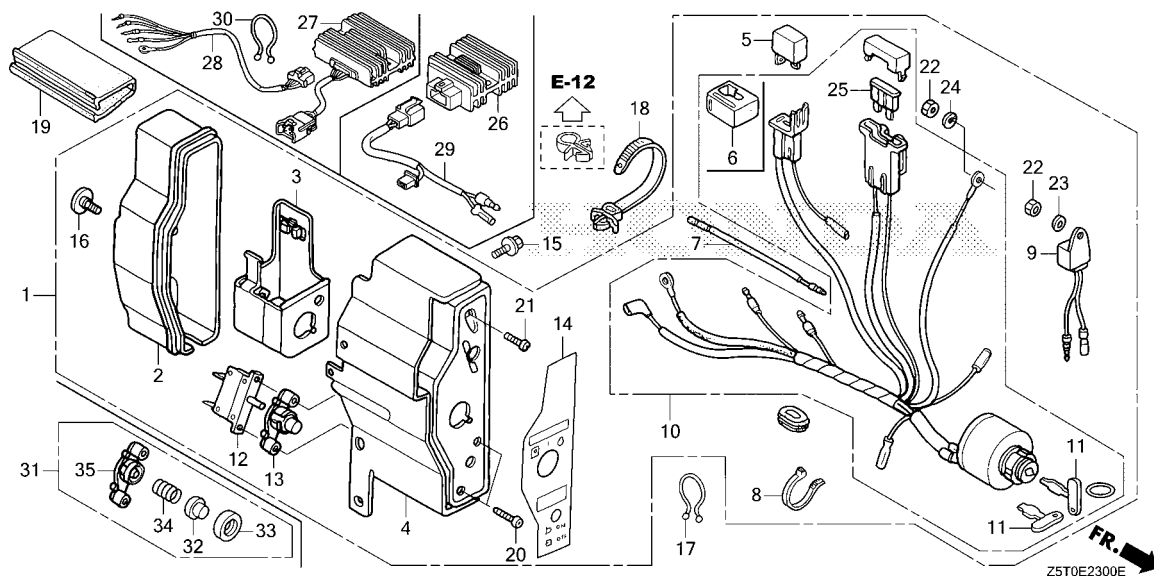
Ref. No.	L.O.N.	(Relative ref. Number) Description	F.R.T.
----------	--------	------------------------------------	--------

Ref. No.	Part No.	Description	Reqd. QTY					Serial No.	Parts catalogue code
			GX 390 UT1	GX 390 UT2	GX 390 RT1	GX 390 RT2	GX 390 UT2X		
1	31610-Z5T-802ZA	BOX ASSY., CONTROL(EXP-ALERT) *R280*.....POWER RED	1	-	1	-	-	LXE4, PXD8, QXE4, QXE6, QXE7, QXE9, QXER, SXE4, VAA8, VC2, VC2N, VDE2, VKB2, VXE2, VXE6, VXE7, VXE9	
	31610-Z5S-802ZB	BOX ASSY., CONTROL(EXP-ALERT) (3A) *R280*.....POWER RED	1	-	1	-	-	PAE2, QAE2, QAE4, QAE6, VK2, VN27	
	31610-Z5T-802ZB	BOX ASSY., CONTROL(EXP-ALERT) *NH1*.....BLACK	1	-	1	-	-	VC2, VC2N	
	31610-Z5T-802ZC	*NH105*...MAT BLACK(#15-#20)	1	-	1	-	-	VDE2, VXE2, VXE7, VXE9	
	31610-Z5S-821ZB	BOX ASSY., CONTROL(EXP-ALERT) (10A) *R280*.....POWER RED	1	-	-	-	-	LKE, QKA4, QME0, QME2, QNE2, QNE6, QNE8, QXH9, SCK4, SM32, SME0, STC4	
	31610-Z5S-802ZA	BOX ASSY., CONTROL(EXP-ALERT) (3A) *NH1*.....BLACK	1	-	-	-	-	QAE2, QAE4, VN27	
	31610-Z5R-821ZA	BOX ASSY., CONTROL(EXP-ALERT) (18A) *NH1*.....BLACK	1	-	-	-	-	QNR2	
	31610-Z5R-821ZB	*R280*.....POWER RED	1	-	-	-	-	QNR2, QNR6	
	31610-Z5S-821ZA	BOX ASSY., CONTROL(EXP-ALERT) (10A) *NH1*.....BLACK	1	-	-	-	-	SM32	
	31610-Z5T-801ZA	BOX ASSY., CONTROL(EXP-ALERT) *R280*.....POWER RED	1	-	-	-	-	1338742 LXE8, PXE8, QXE8, SXE8, VXE8	
	31610-Z5T-802ZA	*R280*.....POWER RED	1	-	-	-	1338743	LXE8, PXE8, QXE8, SXE8, VXE8	
	31610-Z5T-821ZB	BOX ASSY., CONTROL(3A) *R280*.....POWER RED	-	1	-	1	1	PAE2, QAE2, QAE4, QAE6, QAGN, VK2, VN27	
	31610-Z5T-821ZA	*NH1*.....BLACK	-	1	-	1	1	QAE2, QAE4, QAGN, VN27	



E-23

CONTROL BOX(1)



Ref. No.	Part No.	Description	Reqd. QTY					Serial No.	Parts catalogue code
			GX 390 UT1	GX 390 UT2	GX 390 RT1	GX 390 RT2	GX 390 UT2X		
(1)	31610-Z5T-841ZB	BOX ASSY., CONTROL(18A)							
		R280.....POWER RED	-	1	-	1	1	-----	QNGN,QNR2,QNR6,QNRV
	31610-Z5T-811ZB	BOX ASSY., CONTROL(EXTERNAL)							
		R280.....POWER RED	-	1	-	1	-	-----	LXE4,LXE8,PXE8,PXM8,QXE4,QXE6,QXE7,QXE8,QXE9,QXEM,QXER SXE4,SXE8,VC2,VDE2,VKB2,VXE2,VXE7,VXE8,VXE9
	31610-Z5T-811ZA	*NH1*.....BLACK	-	1	-	1	-	-----	LXE5,PXM8,SXE4,VC2,VDE2,VXE2,VXE7,VXE9
	31610-Z5T-831ZB	BOX ASSY., CONTROL(10A)							
		R280.....POWER RED	-	1	-	-	1	-----	LKE,PXD8,QKA4,QME0,QNE2,QNE8,SCK4,SCM1,SM32,SME0,STC4
	31610-Z5T-841ZA	BOX ASSY., CONTROL(18A)							
		NH1.....BLACK	-	1	-	-	1	-----	QNR2
	31610-Z5T-831ZA	BOX ASSY., CONTROL(10A)							
		NH1.....BLACK	-	1	-	-	1	-----	SCM1,SM32,SMSC
	31610-Z5T-811ZB	BOX ASSY., CONTROL(EXTERNAL)							
		R280.....POWER RED	-	-	-	-	1	-----	LXE4,LXE5,LXE8,PXE8,QXE4,QXE6,QXE7,QXE8,QXE9,QXEM,QXER SXE4,VXE2,VXE7,VXE8,VXE9
	31610-Z5T-811ZA	*NH1*.....BLACK	-	-	-	-	1	-----	LXE5,SXE4,VXE2,VXE7,VXE8,VXE9
2	31612-ZE2-003	CASE, CONTROL	1	1	1	1	1	-----	LKE,LXE4,LXE5,LXE8,PAE2,PXD8,PXE8,PXM8,QAE2,QAE4,QAE6 QAGN,QKA4,QME0,QME2,QNE2,QNE6,QNE8,QNGN,QNR2,QNR6,QNRV QXE4,QXE6,QXE7,QXE8,QXE9,QXEM,QXER,QXH9,SCK4,SCM1,SM32 SME0,SMSC,STC4,SXE4,SXE8,VAA8,VC2,VC2N,VDE2,VK2,VKB2,VN27 VXE2,VXE6,VXE7,VXE8,VXE9
3	31614-ZE2-003	BRACKET, CASE MOUNTING	1	1	1	1	1	-----	LKE,LXE4,LXE5,LXE8,PAE2,PXD8,PXE8,PXM8,QAE2,QAE4,QAE6 QAGN,QKA4,QME0,QME2,QNE2,QNE6,QNE8,QNGN,QNR2,QNR6,QNRV QXE4,QXE6,QXE7,QXE8,QXE9,QXEM,QXER,QXH9,SCK4,SCM1,SM32 SME0,SMSC,STC4,SXE4,SXE8,VAA8,VC2,VC2N,VDE2,VK2,VKB2,VN27 VXE2,VXE6,VXE7,VXE8,VXE9

E-23

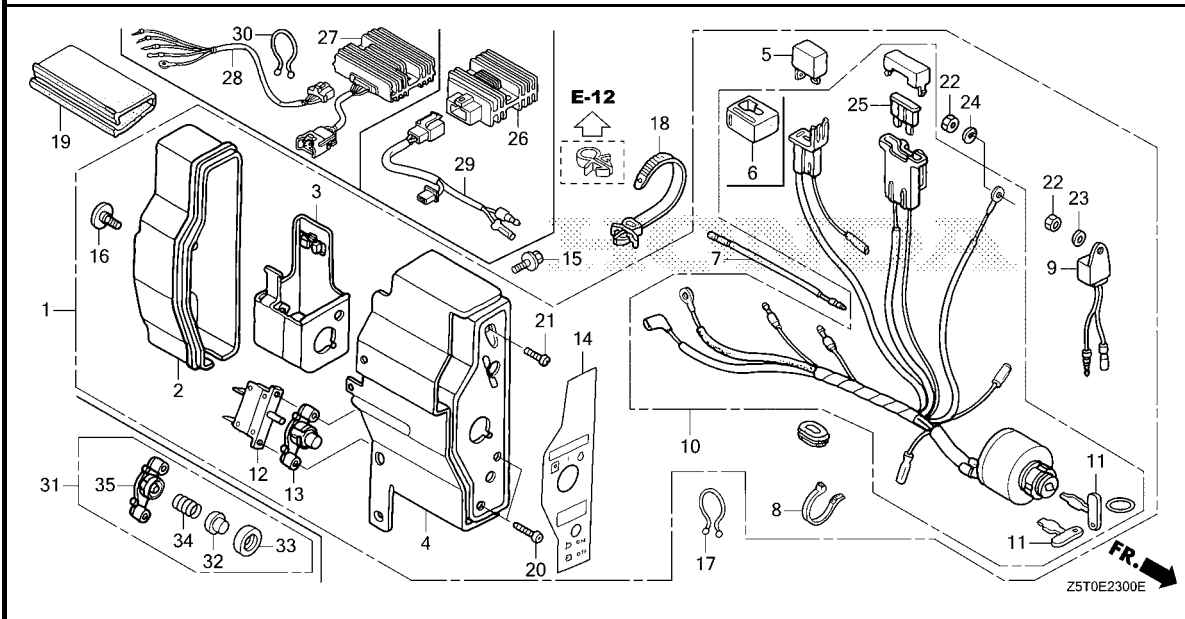
CONTROL BOX(1)

Ref. No.	Part No.	Description	Reqd. QTY					Serial No.	Parts catalogue code
			GX 390 UT1	GX 390 UT2	GX 390 RT1	GX 390 RT2	GX 390 UT2X		
4	31615-ZE3-003ZE	PANEL COMP., CONTROL *R280*.....POWER RED	1	1	1	1	-	LKE, LXE4, LXE8, PAE2, PXD8, PXE8, PXM8, QAE2, QAE4, QAE6, QAGN, QKA4, QME0, QME2, QNE2, QNE6, QNE8, QNGN, QNR2, QNR6, QNRV, QXE4, QXE6, QXE7, QXE8, QXE9, QXEM, QXER, QXH9, SCK4, SCM1, SM32, SME0, STC4, SXE4, SXE8, VAA8, VC2, VC2N, VDE2, VK2, VKB2, VN27, VXE2, VXE6, VXE7, VXE8, VXE9	
	31615-ZE3-003ZA	*NH1*.....BLACK	1	-	1	-	-	QAE2, QAE4, QNR2, SM32, VC2, VC2N, VN27	
	31615-ZE3-003ZD	*NH105*.....MAT BLACK(#15-#20)	1	-	1	-	-	VDE2, VXE2, VXE7, VXE9	
	31615-ZE3-003ZA	*NH1*.....BLACK	-	1	-	-	-	LXE5, QAE2, QAE4, QNR2, SCM1, SM32, SMSC, SXE4, VN27, VXE2, VXE7, VXE9	
	31615-ZE3-003ZE	*R280*.....POWER RED	-	-	-	1	-	PXM8, QAGN, VC2, VDE2	
	31615-ZE3-003ZA	*NH1*.....BLACK	-	-	-	-	1	LKE, LXE4, LXE5, LXE8, PAE2, PXD8, PXE8, QAE2, QKA4, QME0, QNE2, QNR2, QNRV, QXE4, QXE6, QXE7, QXE8, QXE9, QXEM, QXER, SCK4, SCM1, SM32, SME0, STC4, SXE4, VN27, VXE2, VXE7, VXE8, VXE9	
5	31700-124-008	RECTIFIER ASSY., SILICON (SHINDENGEN)	1	-	1	1	-	LXE4, LXE8, PAE2, PXD8, PXE8, PXM8, QAE2, QAE4, QAE6, QAGN, QXE4, QXE6, QXE7, QXE8, QXE9, QXER, SXE4, SXE8, VAA8, VC2, VC2N, VDE2, VK2, VKB2, VN27, VXE2, VXE6, VXE7, VXE8, VXE9	
			-	1	-	-	1	LXE4, LXE5, LXE8, PAE2, PXE8, QAE2, QAE4, QAE6, QXE4, QXE6, QXE7, QXE8, QXE9, QXEM, QXER, SXE4, SXE8, VN27, VXE2, VXE7, VXE8, VXE9	
6	32127-738-700	SUSPENSION, COUPLER.....	1	-	1	1	-	LXE4, LXE8, PAE2, PXD8, PXE8, PXM8, QAE2, QAE4, QAE6, QAGN, QXE4, QXE6, QXE7, QXE8, QXE9, QXER, SXE4, SXE8, VAA8, VC2, VC2N, VDE2, VK2, VKB2, VN27, VXE2, VXE6, VXE7, VXE8, VXE9	
			-	1	-	-	1	LXE4, LXE5, LXE8, PAE2, PXE8, QAE2, QAE4, QAE6, QXE4, QXE6, QXE7, QXE8, QXE9, QXEM, QXER, SXE4, SXE8, VN27, VXE2, VXE7, VXE8, VXE9	
7	32197-ZE1-003	HARNESS, SUB WIRE.....	1	-	1	-	-	LKE, LXE4, LXE8, PAE2, PXD8, PXE8, QAE2, QAE4, QAE6, QKA4, QME0, QME2, QNE2, QNE6, QNE8, QNR2, QNR6, QXE4, QXE6, QXE7, QXE8, QXE9, QXER, QXH9, SCK4, SM32, SME0, STC4, SXE4, SXE8, VAA8, VC2, VC2N, VDE2, VK2, VKB2, VN27, VXE2, VXE6, VXE7, VXE8, VXE9	
8	32902-892-003	BAND.....	1	1	1	1	1	LKE, LXE4, LXE5, LXE8, PAE2, PXD8, PXE8, PXM8, QAE2, QAE4, QAE6, QAGN, QKA4, QME0, QME2, QNE2, QNE6, QNE8, QNGN, QNR2, QNR6, QNRV, QXE4, QXE6, QXE7, QXE8, QXE9, QXEM, QXER, QXH9, SCK4, SCM1, SM32, SME0, SMSC, STC4, SXE4, SXE8, VAA8, VC2, VC2N, VDE2, VK2, VKB2, VN27, VXE2, VXE6, VXE7, VXE8, VXE9	
9	34150-ZH7-013	ALERT UNIT, OIL.....	1	-	1	-	-	LKE, LXE4, PAE2, PXD8, QAE2, QAE4, QAE6, QKA4, QME0, QME2, QNE2, QNE6, QNE8, QNR2, QNR6, QXE4, QXE6, QXE7, QXE9, QXER, QXH9, SCK4, SM32, SME0, STC4, SXE4, VAA8, VC2, VC2N, VDE2, VK2, VKB2, VN27, VXE2, VXE6, VXE7, VXE9	
	34150-ZH7-003	1	-	-	-	-	1338742 LXE8, PXE8, QXE8, SXE8, VXE8	
	34150-ZH7-013	1	-	-	-	-	1338743 LXE8, PXE8, QXE8, SXE8, VXE8	
10	35100-ZE2-033	SWITCH ASSY., COMBINATION....	1	-	1	-	-	LXE4, PXD8, QXE4, QXE6, QXE7, QXE9, QXER, SXE4, VAA8, VC2, VC2N, VDE2, VKB2, VXE2, VXE6, VXE7, VXE9	
	35100-ZE2-843	SWITCH ASSY., COMBINATION (3A-CHARGE)	1	-	1	-	-	PAE2, QAE2, QAE4, QAE6, VK2, VKX4, VN27	
	35100-ZE2-862	SWITCH ASSY., COMBINATION (10A-CHARGE)	1	-	-	-	-	LKE, QKA4, QME0, QME2, QNE2, QNE6, QNE8, QXH9, SCK4, SM32, SME0, STC4	
	35100-ZE2-W01	SWITCH ASSY., COMBINATION (18A-CHARGE)	1	-	-	-	-	QNR2, QNR6	
	35100-ZE2-023	SWITCH ASSY., COMBINATION....	1	-	-	-	-	1338742 LXE8, PXE8, QXE8, SXE8, VXE8	
	35100-ZE2-033	1	-	-	-	-	1338743 LXE8, PXE8, QXE8, SXE8, VXE8	
	35100-Z5T-811	-	1	-	1	1	LXE4, LXE5, LXE8, PXE8, PXM8, QXE4, QXE6, QXE7, QXE8, QXE9, QXEM, QXER, SXE4, SXE8, VC2, VDE2, VKB2, VXE2, VXE7, VXE8, VXE9	
	35100-Z5T-821	SWITCH ASSY., COMBINATION (3A-CHARGE)	-	1	-	1	1	PAE2, QAE2, QAE4, QAE6, QAGN, VK2, VN27	
	35100-Z5T-841	SWITCH ASSY., COMBINATION(18A)	-	1	-	1	1	QNGN, QNR2, QNR6, QNRV	



E-23

CONTROL BOX(1)



Ref. No.	Part No.	Description	Reqd. QTY					Serial No.	Parts catalogue code
			GX 390 UT1	GX 390 UT2	GX 390 RT1	GX 390 RT2	GX 390 UT2X		
10)	35100-Z5T-831	SWITCH ASSY., COMBINATION(10A)	-	1	-	-	1	-----	LKE, PXD8, QKA4, QME0, QNE2, QNE8, SCK4, SCM1, SM32, SME0, SMSC, STC4
11	35111-880-013	KEY COMP.(HONDA LOCK).....	2	2	2	2	2	-----	LKE, LXE4, LXE5, LXE8, PAE2, PXD8, PXE8, PXM8, QAE2, QAE4, QAE6, QAGN, QKA4, QME0, QME2, QNE2, QNE6, QNE8, QNGN, QNR2, QNR6, QNRV, QXE4, QXE6, QXE7, QXE8, QXE9, QXEM, QXER, QXH9, SCK4, SCM1, SM32, SME0, SMSC, STC4, SXE4, SXE8, VAA8, VC2, VC2N, VDE2, VK2, VKB2, VN27, VXE2, VXE6, VXE7, VXE8, VXE9
12	38240-ZE2-840	PROTECTOR, CIRCUIT(3.5A).....	1	1	1	1	1	-----	EDD2, PAE2, QAE2, QAE4, QAE6, QAGN, VK2, VN27
	38240-VA3-900	PROTECTOR, CIRCUIT(1.0A).....	1	-	1	1	-	-----	EDS6, LXE4, LXE8, PXD8, PXE8, PXM8, QXE4, QXE6, QXE7, QXE8, QXE9, QXER, SXE4, SXE8, VAA8, VC2, VC2N, VDE2, VKB2, VXE2, VXE6, VXE7, VXE8, VXE9
			-	1	-	-	1	-----	LXE4, LXE5, LXE8, PXE8, QXE4, QXE6, QXE7, QXE8, QXE9, QXEM, QXER, SXE4, SXE8, VXE2, VXE7, VXE8, VXE9
13	38250-ZA8-701	LENS ASSY., PROTECTOR.....	1	-	1	1	-	-----	LXE4, LXE8, PAE2, PXD8, PXE8, PXM8, QAE2, QAE4, QAE6, QAGN, QXE4, QXE6, QXE7, QXE8, QXE9, QXER, SXE4, SXE8, VAA8, VC2, VC2N, VDE2, VK2, VKB2, VN27, VXE2, VXE6, VXE7, VXE8, VXE9
			-	1	-	-	1	-----	LXE4, LXE5, LXE8, PAE2, PXE8, QAE2, QAE4, QAE6, QXE4, QXE6, QXE7, QXE8, QXE9, QXEM, QXER, SXE4, SXE8, VN27, VXE2, VXE7, VXE8, VXE9
14	87529-Z4T-840	MARK, CONTROL BOX(EXTERNAL) ..	1	-	1	1	-	-----	LXE4, LXE8, PAE2, PXD8, PXE8, PXM8, QAE2, QAE4, QAE6, QAGN, QXE4, QXE6, QXE7, QXE8, QXE9, QXER, SXE4, SXE8, VAA8, VC2, VC2N, VDE2, VK2, VKB2, VN27, VXE2, VXE6, VXE7, VXE8, VXE9
	87529-Z4S-820	MARK, CONTROL BOX(EXP).....	1	-	-	1	-	-----	LKE, QKA4, QME0, QME2, QNE2, QNE6, QNE8, QNGN, QNR2, QNR6, QXH9, SCK4, SM32, SME0, STC4
			-	1	-	-	1	-----	LKE, PXD8, QKA4, QME0, QNE2, QNE8, QNR2, QNR6, QNRV, SCK4, SCM1, SM32, SME0, SMSC, STC4
	87529-Z4T-840	MARK, CONTROL BOX(EXTERNAL) ..	-	1	-	-	1	-----	LXE4, LXE5, LXE8, PAE2, PXE8, QAE2, QAE4, QAE6, QXE4, QXE6, QXE7, QXE8, QXE9, QXEM, QXER, SXE4, SXE8, VN27, VXE2, VXE7, VXE8, VXE9



E-23

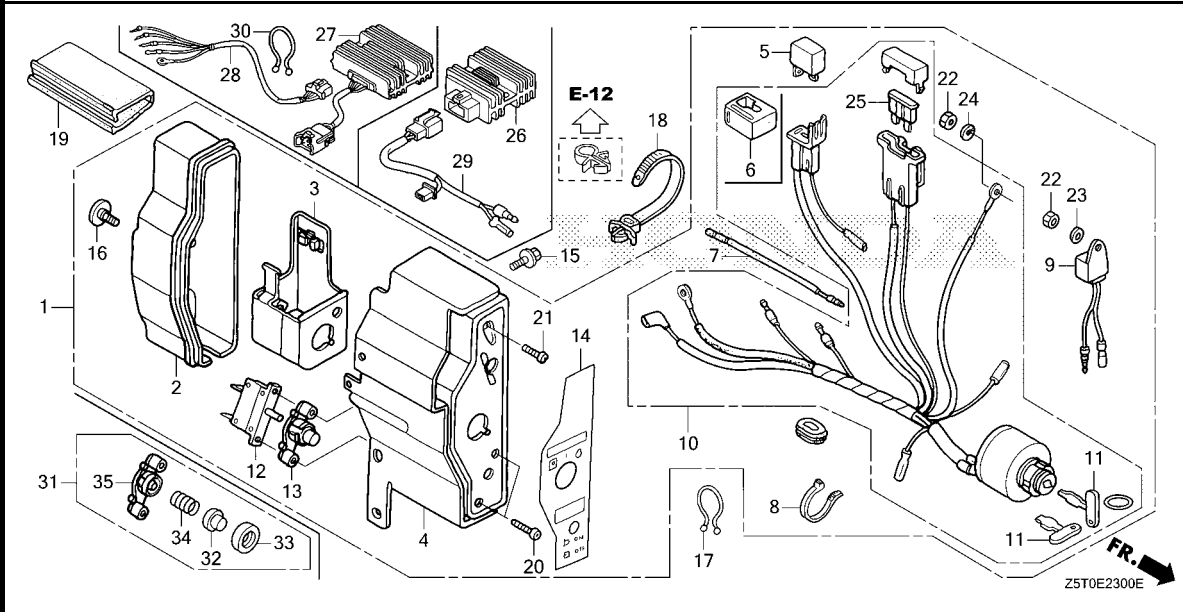
CONTROL BOX(1)

Ref. No.	Part No.	Description	Reqd. QTY					Serial No.	Parts catalogue code
			GX 390 UT1	GX 390 UT2	GX 390 RT1	GX 390 RT2	GX 390 UT2X		
15	90013-883-000	BOLT, FLANGE, 6X12(CT200).....	2	2	2	2	2	-----	LKE, LXE4, LXE5, LXE8, PAE2, PXD8, PXE8, PXM8, QAE2, QAE4, QAE6, QAGN, QKA4, QME0, QME2, QNE2, QNE6, QNE8, QNGN, QNR2, QNR6, QNRV, QXE4, QXE6, QXE7, QXE8, QXE9, QXEM, QXER, QXH9, SCK4, SCM1, SM32, SME0, SMSC, STC4, SXE4, SXE8, VAA8, VC2, VC2N, VDE2, VK2, VKB2, VN27, VXE2, VXE6, VXE7, VXE8, VXE9
16	90380-MA6-010	SCREW, SPECIAL, 6X12.....	1	1	1	1	1	-----	LKE, LXE4, LXE5, LXE8, PAE2, PXD8, PXE8, PXM8, QAE2, QAE4, QAE6, QAGN, QKA4, QME0, QME2, QNE2, QNE6, QNE8, QNGN, QNR2, QNR6, QNRV, QXE4, QXE6, QXE7, QXE8, QXE9, QXEM, QXER, QXH9, SCK4, SCM1, SM32, SME0, SMSC, STC4, SXE4, SXE8, VAA8, VC2, VC2N, VDE2, VK2, VKB2, VN27, VXE2, VXE6, VXE7, VXE8, VXE9
17	90630-751-000	CLIP, PURSE LOCK.....	1	1	1	1	1	-----	LKE, LXE4, LXE5, LXE8, PAE2, PXD8, PXE8, PXM8, QAE2, QAE4, QAE6, QAGN, QKA4, QME0, QME2, QNE2, QNE6, QNE8, QNGN, QNR2, QNR6, QNRV, QXE4, QXE6, QXE7, QXE8, QXE9, QXEM, QXER, QXH9, SCK4, SCM1, SM32, SME0, SMSC, STC4, SXE4, SXE8, VAA8, VC2, VC2N, VDE2, VK2, VKB2, VN27, VXE2, VXE6, VXE7, VXE8, VXE9
18	90672-SA0-003	STRAP, CABLE, 118MM(BLACK)...	1	1	1	1	1	-----	LKE, LXE4, LXE5, LXE8, PAE2, PXD8, PXE8, PXM8, QAE2, QAE4, QAE6, QAGN, QKA4, QME0, QME2, QNE2, QNE6, QNE8, QNGN, QNR2, QNR6, QNRV, QXE4, QXE6, QXE7, QXE8, QXE9, QXEM, QXER, QXH9, SCK4, SCM1, SM32, SME0, SMSC, STC4, SXE4, SXE8, VAA8, VC2, VC2N, VDE2, VK2, VKB2, VN27, VXE2, VXE6, VXE7, VXE8, VXE9
19	91406-ZE2-003	TUBE, FASTENER, 30MM.....	1	1	1	1	1	-----	LKE, LXE4, LXE5, LXE8, PAE2, PXD8, PXE8, PXM8, QAE2, QAE4, QAE6, QAGN, QKA4, QME0, QME2, QNE2, QNE6, QNE8, QNGN, QNR2, QNR6, QNRV, QXE4, QXE6, QXE7, QXE8, QXE9, QXEM, QXER, QXH9, SCK4, SCM1, SM32, SME0, SMSC, STC4, SXE4, SXE8, VAA8, VC2, VC2N, VDE2, VK2, VKB2, VN27, VXE2, VXE6, VXE7, VXE8, VXE9
20	93500-03012-0H	SCREW, PAN, 3X12.....	2	-	2	2	-	-----	LXE4, LXE8, PAE2, PXD8, PXE8, PXM8, QAE2, QAE4, QAE6, QAGN, QXE4, QXE6, QXE7, QXE8, QXE9, QXER, SXE4, SXE8, VAA8, VC2, VC2N, VDE2, VK2, VKB2, VN27, VXE2, VXE6, VXE7, VXE8, VXE9
			-	2	-	-	2	-----	LXE4, LXE5, LXE8, PAE2, PXE8, QAE2, QAE4, QAE6, QXE4, QXE6, QXE7, QXE8, QXE9, QXEM, QXER, SXE4, SXE8, VN27, VXE2, VXE7, VXE8, VXE9
21	93500-04012-0H	SCREW, PAN, 4X12.....	1	-	1	-	-	-----	LKE, LXE4, LXE8, PAE2, PXD8, PXE8, QAE2, QAE4, QAE6, QKA4, QME0, QME2, QNE2, QNE6, QNE8, QNR2, QNR6, QXE4, QXE6, QXE7, QXE8, QXE9, QXER, QXH9, SCK4, SM32, SME0, STC4, SXE4, SXE8, VAA8, VC2, VC2N, VDE2, VK2, VKB2, VN27, VXE2, VXE6, VXE7, VXE8, VXE9
			-	1	-	-	1	-----	LKE, PXD8, QKA4, QME0, QNE2, QNE8, QNR2, QNR6, QNRV, SCK4, SCM1, SM32, SME0, SMSC, STC4
			-	-	-	1	-	-----	QNGN
22	94001-04390-0S	NUT, HEX., 4MM.....	2	-	2	-	-	-----	LKE, LXE4, LXE8, PAE2, PXD8, PXE8, QAE2, QAE4, QAE6, QKA4, QME0, QME2, QNE2, QNE6, QNE8, QNR2, QNR6, QXE4, QXE6, QXE7, QXE8, QXE9, QXER, QXH9, SCK4, SM32, SME0, STC4, SXE4, SXE8, VAA8, VC2, VC2N, VDE2, VK2, VKB2, VN27, VXE2, VXE6, VXE7, VXE8, VXE9
			-	1	-	-	1	-----	LKE, PXD8, QKA4, QME0, QNE2, QNE8, QNR2, QNR6, QNRV, SCK4, SCM1, SM32, SME0, SMSC, STC4
			-	-	-	1	-	-----	QNGN
23	94101-04800	WASHER, PLAIN, 4MM.....	1	-	1	-	-	-----	LKE, LXE4, LXE8, PAE2, PXD8, PXE8, QAE2, QAE4, QAE6, QKA4, QME0, QME2, QNE2, QNE6, QNE8, QNR2, QNR6, QXE4, QXE6, QXE7, QXE8, QXE9, QXER, QXH9, SCK4, SM32, SME0, STC4, SXE4, SXE8, VAA8, VC2, VC2N, VDE2, VK2, VKB2, VN27, VXE2, VXE6, VXE7, VXE8, VXE9
24	94111-04800	WASHER, SPRING, 4MM.....	1	-	1	-	-	-----	LKE, LXE4, LXE8, PAE2, PXD8, PXE8, QAE2, QAE4, QAE6, QKA4, QME0, QME2, QNE2, QNE6, QNE8, QNR2, QNR6, QXE4, QXE6, QXE7, QXE8, QXE9, QXER, QXH9, SCK4, SM32, SME0, STC4, SXE4, SXE8, VAA8, VC2, VC2N, VDE2, VK2, VKB2, VN27, VXE2, VXE6, VXE7, VXE8, VXE9
			-	1	-	-	1	-----	LKE, PXD8, QKA4, QME0, QNE2, QNE8, QNR2, QNR6, QNRV, SCK4, SCM1, SM32, SME0, SMSC, STC4
			-	-	-	1	-	-----	QNGN



E-23

CONTROL BOX(1)

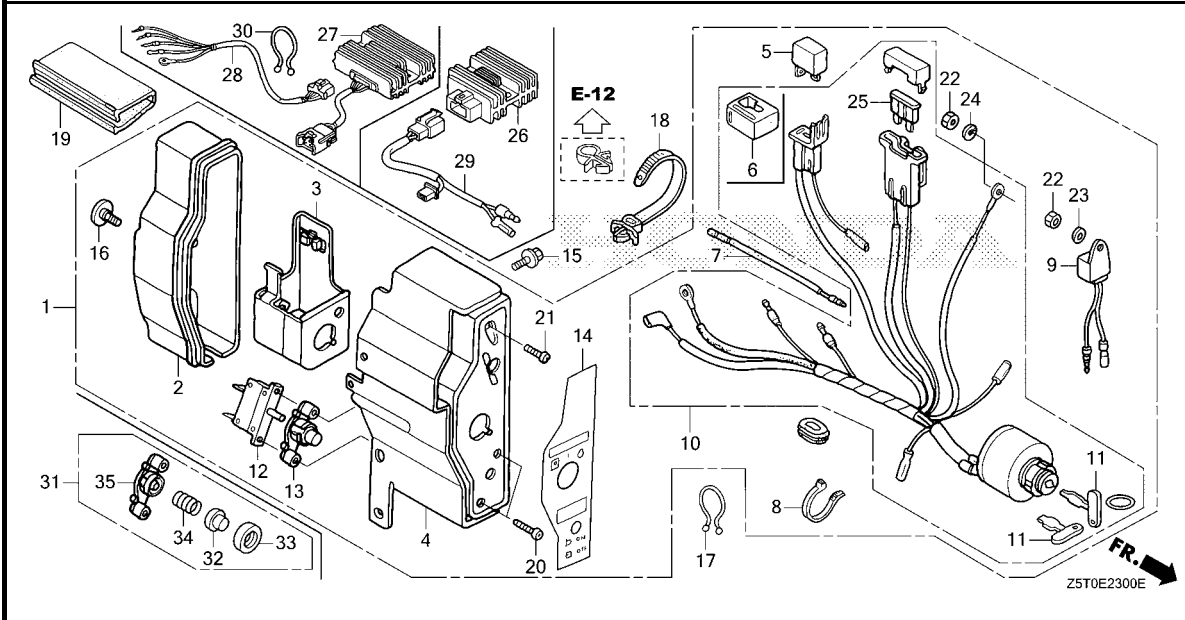


Ref. No.	Part No.	Description	Reqd. QTY					Serial No.	Parts catalogue code
			GX 390 UT1	GX 390 UT2	GX 390 RT1	GX 390 RT2	GX 390 UT2X		
25	98200-31500	FUSE, BLADE(15A).....	1	-	1	1	-	LKE, PAE2, QAE2, QAE4, QAE6, QAGN, QKA4, QME0, QME2, QNE2, QNE6, QNE8, QXH9, SCK4, SM32, SME0, STC4, VK2, VN27	
	98200-30500	FUSE, BLADE(5A).....	1	-	1	-	-	LXE4, LXE8, PXD8, PXE8, QXE4, QXE6, QXE7, QXE8, QXE9, QXER, SXE4, SXE8, VAA8, VC2, VC2N, VDE2, VKB2, VXE2, VXE6, VXE7, VXE8, VXE9	
	98200-32500	FUSE, BLADE(25A).....	1	-	-	1	1	QNGN, QNR2, QNR6, QNRV	
	98200-31500	FUSE, BLADE(15A).....	-	1	-	-	1	LKE, PAE2, PXD8, QAE2, QAE6, QKA4, QME0, QNE2, QNE8, SCK4, SCM1, SM32, SME0, SMSC, STC4, VN27	
	98200-30500	FUSE, BLADE(5A).....	-	1	-	-	1	LXE4, LXE5, LXE8, PXE8, QAE4, QAE6, QXE4, QXE6, QXE7, QXE8, QXE9, QXEM, QXER, SXE4, SXE8, VXE2, VXE7, VXE8, VXE9	
	98200-32500	FUSE, BLADE(25A).....	-	1	-	-	-	QNR2, QNRV	
	98200-31500	FUSE, BLADE(15A).....	-	1	-	-	-	1010765 QNR6	
	98200-30500	FUSE, BLADE(5A).....	-	1	-	-	-	1010766 QNR6	
	98200-30500	FUSE, BLADE(5A).....	-	-	-	1	-	PXM8, VC2, VDE2, VK2, VKB2	
26	31600-ZE2-861	RECTIFIER ASSY., REGULATOR (10A)	1	-	1	1	-	LKE, QKA4, QME0, QME2, QNB2, QNE2, QNE6, QNE8, QXH9, SCK4, SM32, SME0, SMES, STC4	
			-	1	-	-	1	LKE, PXD8, QKA4, QME0, QNE2, QNE8, SCK4, SCM1, SCM2, SE2C, SM32, SME0, SMSC, STC4, SXBG	
27	31620-ZG5-033	RECTIFIER ASSY., REGULATOR (20A)	1	1	-	1	1	QNGN, QNR2, QNR6, QNRV	
28	32110-ZE2-W00	HARNESS ASSY., SUB WIRE.....	1	1	-	1	1	QNGN, QNR2, QNR6, QNRV	
29	32110-ZE2-860	HARNESS ASSY., SUB WIRE.....	1	-	1	1	-	LKE, QKA4, QME0, QME2, QNB2, QNE2, QNE6, QNE8, QXH9, SCK4, SM32, SME0, SMES, STC4	
			-	1	-	-	1	LKE, PXD8, QKA4, QME0, QNE2, QNE8, SCK4, SCM1, SCM2, SE2C, SM32, SME0, SMSC, STC4, SXBG	
30	90630-751-000	CLIP, PURSE LOCK.....	-	1	-	1	1	QNGN, QNR2, QNR6, QNRV	
31	38250-898-000	LENS ASSY., PROTECTOR.....	-	-	-	1	-	EDD2, EDS6	



E-23

CONTROL BOX(1)

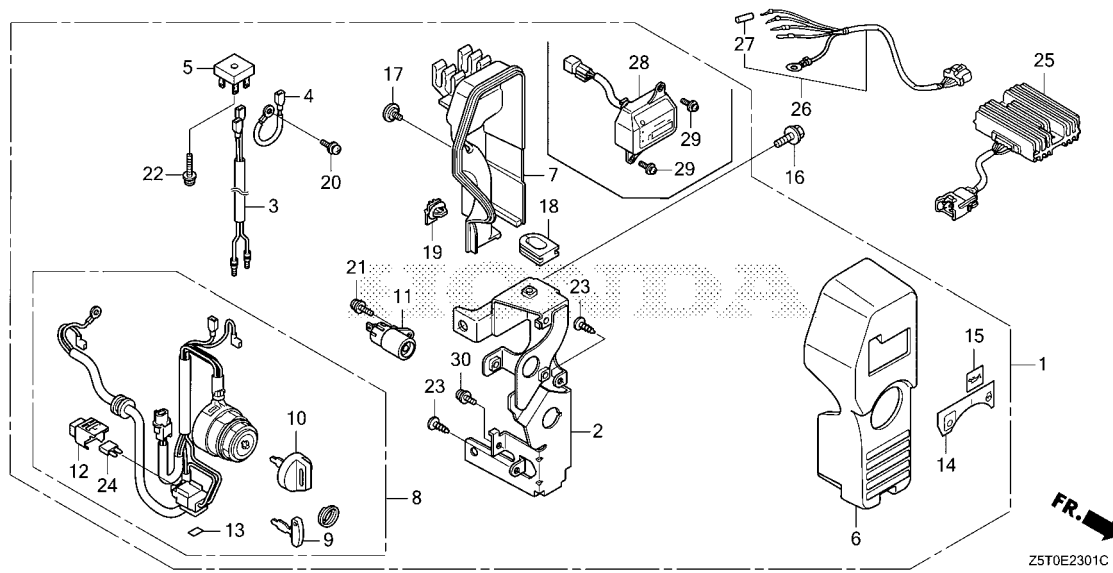


Ref. No.	Part No.	Description	Reqd. QTY					Serial No.	Parts catalogue code
			GX 390 UT1	GX 390 UT2	GX 390 RT1	GX 390 RT2	GX 390 UT2X		
32	38251-898-000	LENS	-	-	-	1	-	EDD2, EDS6	
33	38252-898-000	CAP, LENS	-	-	-	1	-	EDD2, EDS6	
34	38253-898-000	SPRING, COIL	-	-	-	1	-	EDD2, EDS6	
35	38254-898-000	HOLDER, LENS	-	-	-	1	-	EDD2, EDS6	



E-23-1

CONTROL BOX(2)



Ref. No. L.O.N. (Relative ref. Number) Description F.R.T.

Ref. No.	Part No.	Description	Reqd. QTY					Serial No.	Parts catalogue code
			GX 390 UT1	GX 390 UT2	GX 390 RT1	GX 390 RT2	GX 390 UT2X		
1	31610-Z5T-W00	BOX ASSY., CONTROL	-	1	-	1	1	-----	QZA2, QZAV, QZX9, SSEC, VZC2, VZX7, VZX8
	31610-Z5T-W40	-	1	-	-	1	-----	QZHW, QZRL
	31610-Z5T-W10	BOX ASSY., CONTROL(HM)	-	1	-	-	1	-----	QZX9
2	31614-Z5T-W00	BRACKET, SWITCH BOX	-	1	-	1	1	-----	QZA2, QZAV, QZHW, QZN2, QZND, QZNH, QZNR, QZRL, QZX9, SSEC, VZC2, VZX7, VZX8
	31614-Z5T-W10	BRACKET, SWITCH BOX(HM)	-	1	-	-	1	-----	QZX9
3	31711-Z5T-W00	CORD, CHARGE COIL	-	1	-	1	1	-----	EZDM, EZDS, EZDV, QZA2, QZAV, QZX9, QZXR, SSEC, VZC2, VZP9, VZWE, VZX7, VZX8, VZXZ
4	31712-Z5T-W00	CORD, EARTH	-	1	-	1	1	-----	EZDM, EZDS, EZDV, QZA2, QZAV, QZX9, QZXR, SSEC, VZC2, VZP9, VZWE, VZX7, VZX8, VZXZ
5	31713-Z5T-W01	RECTIFIER COMP.	-	1	-	1	1	-----	EZDM, EZDS, EZDV, QZA2, QZAV, QZME, QZX9, QZXR, SSEC, VZC2, VZP9, VZWE, VZX7, VZX8, VZXZ
6	32346-Z5T-W00	PANEL, CONTROL	-	1	-	1	1	-----	QZA2, QZAV, QZHW, QZN2, QZND, QZNH, QZNR, QZRL, QZX9, SSEC, VZC2, VZX7, VZX8
	32346-Z5T-W10	PANEL, CONTROL(HM)	-	1	-	-	1	-----	QZX9
7	32612-Z5T-W00	COVER, CONTROL	-	1	-	1	1	-----	QZA2, QZAV, QZHW, QZN2, QZND, QZNH, QZNR, QZRL, QZX9, QZXR, SSEC, VZC2, VZX7, VZX8
8	35100-Z5T-W01	SWITCH ASSY., COMBINATION(IND)	-	1	-	1	1	-----	QZA2, QZAV, QZX9, SSEC, VZC2, VZX7, VZX8
	35100-Z5T-W41	SWITCH ASSY., COMBINATION (IND, LO)	-	1	-	-	1	-----	QZHW, QZRL
	35100-Z5T-W21	SWITCH ASSY., COMBINATION(IND)	-	1	-	-	1	-----	QZN2, QZND, QZNH, QZNR
	35100-Z5T-W11	SWITCH ASSY., COMBINATION(HM)	-	1	-	-	1	-----	QZX9
9	35110-Z5T-W01	KEY COMP.	-	1	-	1	1	-----	QZA2, QZAV, QZHW, QZN2, QZND, QZNH, QZNR, QZRL, QZX9, QZXR, SSEC, VZC2, VZX7, VZX8
10	35110-Z5T-W11	KEY ASSY., COMBINATION SWITCH (BLACK)	-	1	-	1	1	-----	QZA2, QZAV, QZHW, QZN2, QZND, QZNH, QZNR, QZRL, QZX9, QZXR, SSEC, VZC2, VZX7, VZX8



E-23-1

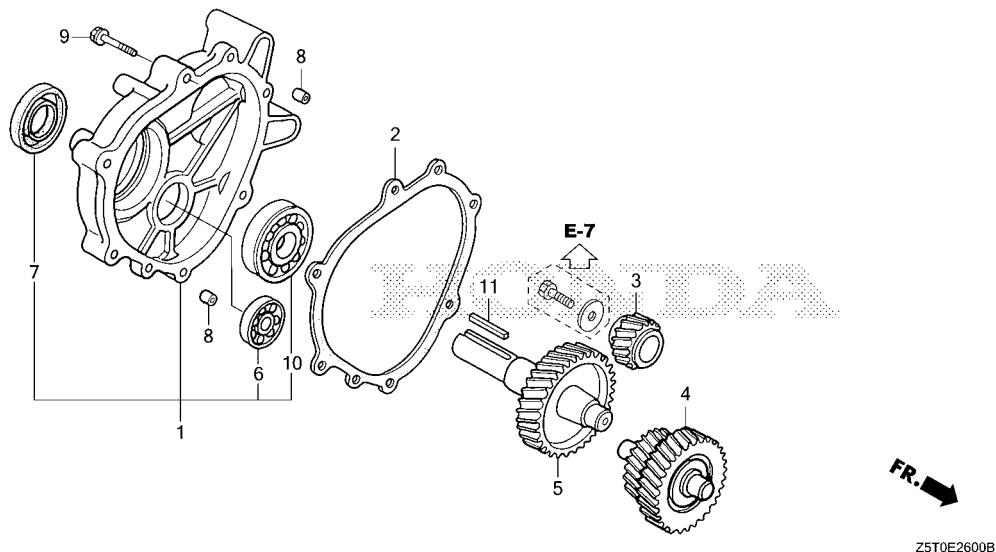
CONTROL BOX(2)

Ref. No.	Part No.	Description	Reqd. QTY					Serial No.	Parts catalogue code
			GX 390 UT1	GX 390 UT2	GX 390 RT1	GX 390 RT2	GX 390 UT2X		
11	37150-Z5T-W01	INDICATOR ASSY.	-	1	-	1	1	-----	QZA2, QZAV, QZHW, QZME, QZN2, QZND, QZNH, QZNR, QZRL, QZX9, SZEC VZC2, VZX7, VZX8
12	38216-Z2E-003	COVER ASSY., FUSE	-	1	-	1	1	-----	QZA2, QZAV, QZHW, QZN2, QZND, QZNH, QZNR, QZRL, QZX9, QZXR, SZEC VZC2, VZX7, VZX8
13	87117-Z2E-800	LABEL, FUSE(30A)	-	1	-	1	1	-----	QZA2, QZAV, QZHW, QZN2, QZND, QZNH, QZNR, QZRL, QZX9, QZXR, SZEC VZC2, VZX7, VZX8
14	87501-Z5T-W00	MARK, ENGINE SWITCH	-	1	-	1	1	-----	QZA2, QZAV, QZHW, QZN2, QZND, QZNH, QZNR, QZRL, QZX9, QZXR, SZEC VZC2, VZX7, VZX8
15	87594-Z5T-W00	MARK, OIL CAUTION	-	1	-	1	1	-----	QZA2, QZAV, QZHW, QZN2, QZND, QZNH, QZNR, QZRL, QZX9, QZXR, SZEC VZC2, VZX7, VZX8
16	90013-883-000	BOLT, FLANGE, 6X12(CT200)	-	2	-	2	2	-----	QZA2, QZAV, QZHW, QZN2, QZND, QZNH, QZNR, QZRL, QZX9, QZXR, SZEC VZC2, VZX7, VZX8
17	90380-MB2-000	SCREW, SPECIAL, 6X8	-	1	-	1	1	-----	QZA2, QZAV, QZHW, QZN2, QZND, QZNH, QZNR, QZRL, QZX9, QZXR, SZEC VZC2, VZX7, VZX8
18	90601-Z5T-W00	GROMMET, CONTROL BOX	-	1	-	1	1	-----	QZA2, QZAV, QZHW, QZN2, QZND, QZNH, QZNR, QZRL, QZX9, QZXR, SZEC VZC2, VZX7, VZX8
19	91565-SEL-003	CLIP, COUPLER(BLACK)	-	1	-	1	1	-----	QZA2, QZAV, QZHW, QZN2, QZND, QZNH, QZNR, QZRL, QZX9, QZXR, SZEC VZC2, VZX7, VZX8
20	93891-04008-08	SCREW-WASHER, 4X8	-	1	-	1	1	-----	QZA2, QZAV, QZX9, QZXR, SZEC, VZC2, VZP9, VZWE, VZX7, VZX8
21	93891-04010-08	SCREW-WASHER, 4X10	-	1	-	1	1	-----	QZA2, QZAV, QZHW, QZN2, QZND, QZNH, QZNR, QZRL, QZX9, SZEC, VZC2 VZX7, VZX8
22	93893-04020-08	SCREW-WASHER, 4X20	-	1	-	1	1	-----	QZA2, QZAV, QZX9, QZXR, SZEC, VZC2, VZWE, VZX7, VZX8
23	93913-24310	SCREW, TAPPING, 4X14(PO)	-	2	-	2	2	-----	QZA2, QZAV, QZHW, QZN2, QZND, QZNH, QZNR, QZRL, QZX9, QZXR, SZEC VZC2, VZX7, VZX8
24	98200-43000	FUSE, MINI(30A)	-	1	-	1	1	-----	QZA2, QZAV, QZHW, QZN2, QZND, QZNH, QZNR, QZRL, QZX9, QZXR, SZEC VZC2, VZX7, VZX8
25	31750-Z2E-803	RECTIFIER ASSY., REGULATOR	-	1	-	-	1	-----	QZHW, QZND, QZNH, QZNR, QZRL
	31750-Z0A-811	RECTIFIER ASSY., REGULATOR (20A) ...	-	1	-	-	1	-----	QZN2
26	32105-ZJ1-800	HARNESS ASSY., SUB WIRE	-	1	-	-	1	-----	QZHW, QZN2, QZND, QZNH, QZNR, QZRL
	32106-Z5T-W00	-	1	-	-	-	-----	QZME
27	32824-ZV5-003	PLUG, OUTER CONNECTOR	-	1	-	-	1	-----	QZHW, QZN2, QZND, QZNH, QZNR, QZRL
28	39700-Z5T-W01	METER ASSY., HOUR	-	1	-	-	1	-----	QZXR
29	93891-04012-08	SCREW-WASHER, 4X12	-	2	-	-	2	-----	QZXR
30	93891-04008-08	SCREW-WASHER, 4X8	-	1	-	-	1	-----	QZXR



E-26

REDUCTION

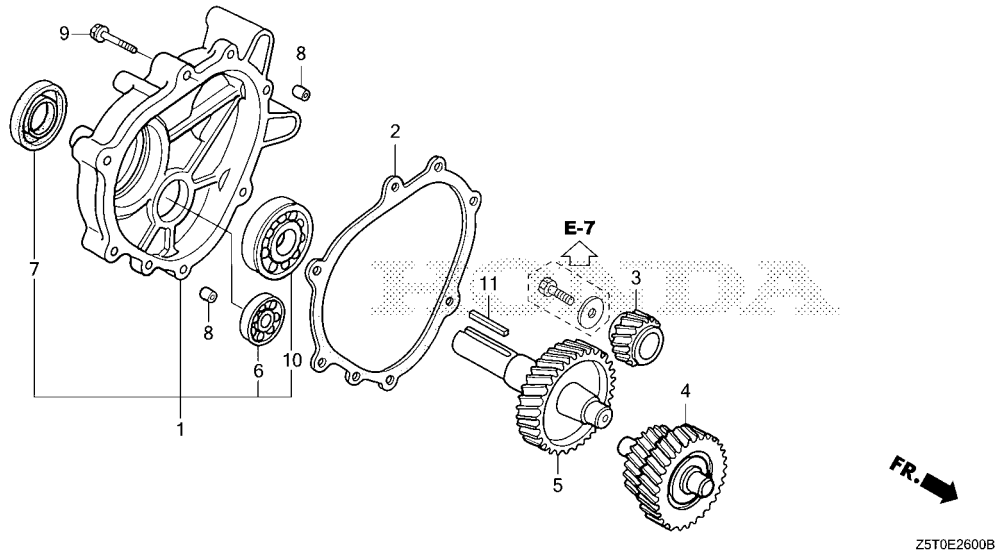


Ref. No. L.O.N. (Relative ref. Number) Description F.R.T.

Ref. No.	Part No.	Description	Reqd. QTY					Serial No.	Parts catalogue code
			GX 390 UT1	GX 390 UT2	GX 390 RT1	GX 390 RT2	GX 390 UT2X		
1	11500-Z8T-640	COVER ASSY., GEAR CASE	1	1	-	-	1	-----	HA2
	11500-ZE3-611	1	-	-	-	-	-----	LX2
	11500-Z8T-610	1	-	-	-	1751688	-----	LKE, LXE4, LXE8, LXQ4, LXU
	11500-Z8T-612	-	1	-	-	-	-----	LKE, LXE4, LXE8, LXQ4, LXU
	11500-Z8T-610	-	1	-	-	-	-----	LFU, LXE5
	11500-Z8T-611	-	1	-	-	1049658	-----	LKE, LX2, LXE4, LXE8, LXQ4, LXU
	11500-Z8T-612	-	1	-	-	2999999	-----	LKE, LX2, LXE4, LXE8, LXQ4, LXU
	11500-Z8T-612	-	1	-	-	3000001	-----	LKE, LX2, LXE4, LXE8, LXQ4, LXU
2	11521-ZE2-800	PACKING, CHAIN CASE COVER	1	1	-	-	1	-----	LFU, LKE, LX2, LXE4, LXE5, LXE8, LXQ4, LXU
3	22103-ZE3-640	GEAR, PRIMARY DRIVE(12T)	1	1	-	-	1	-----	HA2
	22103-ZE3-610	GEAR, PRIMARY DRIVE(22T)	1	1	-	-	-	-----	LFU, LKE, LX2, LXE4, LXE5, LXE8, LXQ4, LXU
	23411-Z1C-000	-	-	-	-	1	-----	LFU, LKE, LX2, LXE4, LXE5, LXE8, LXQ4, LXU
4	23220-ZE3-640	COUNTERSHAFT COMP.(13T/27T) ..	1	1	-	-	1	-----	HA2
	23220-ZE3-610	COUNTERSHAFT COMP.(21T/27T) ..	1	1	-	-	1	-----	LFU, LKE, LX2, LXE4, LXE5, LXE8, LXQ4, LXU
5	23710-ZE3-640	SHAFT, P.T.O.(34T)	1	1	-	-	1	-----	HA2
	23710-ZE3-610	SHAFT, P.T.O.(33T)	1	1	-	-	1	-----	LFU, LKE, LX2, LXE4, LXE5, LXE8, LXQ4, LXU
6	96100-63020-00	BEARING, RADIAL BALL, 6302	1	1	-	-	1	-----	HA2
	91009-KJ1-003	BEARING, RADIAL BALL, 6202 (NTN)	1	1	-	-	1	-----	LFU, LKE, LX2, LXE4, LXE5, LXE8, LXQ4, LXU
7	91201-Z1D-003	OIL SEAL, 30X46X8(NOK ASIA) ..	1	1	-	-	1	-----	HA2, LFU, LKE, LX2, LXE4, LXE5, LXE8, LXQ4, LXU
	91201-890-003	OIL SEAL, 30X46X8	1	-	-	-	-	-----	LX2
	91201-Z1D-003	OIL SEAL, 30X46X8(NOK ASIA) ..	1	-	-	-	-	-----	1751688
	91201-Z1D-003	OIL SEAL, 30X46X8(NOK ASIA) ..	1	-	-	-	1751689	-----	LKE, LXE4, LXE8, LXQ4, LXU
8	94301-08140	DOWEL PIN, 8X14	2	2	-	-	2	-----	HA2, LFU, LKE, LX2, LXE4, LXE5, LXE8, LXQ4, LXU
9	95701-08040-00	BOLT, FLANGE, 8X40	6	6	-	-	6	-----	HA2, LFU, LKE, LX2, LXE4, LXE5, LXE8, LXQ4, LXU
10	91006-MT3-003	BEARING, RADIAL BALL, 6206 (NTN)	1	1	-	-	1	-----	HA2

E-26

REDUCTION

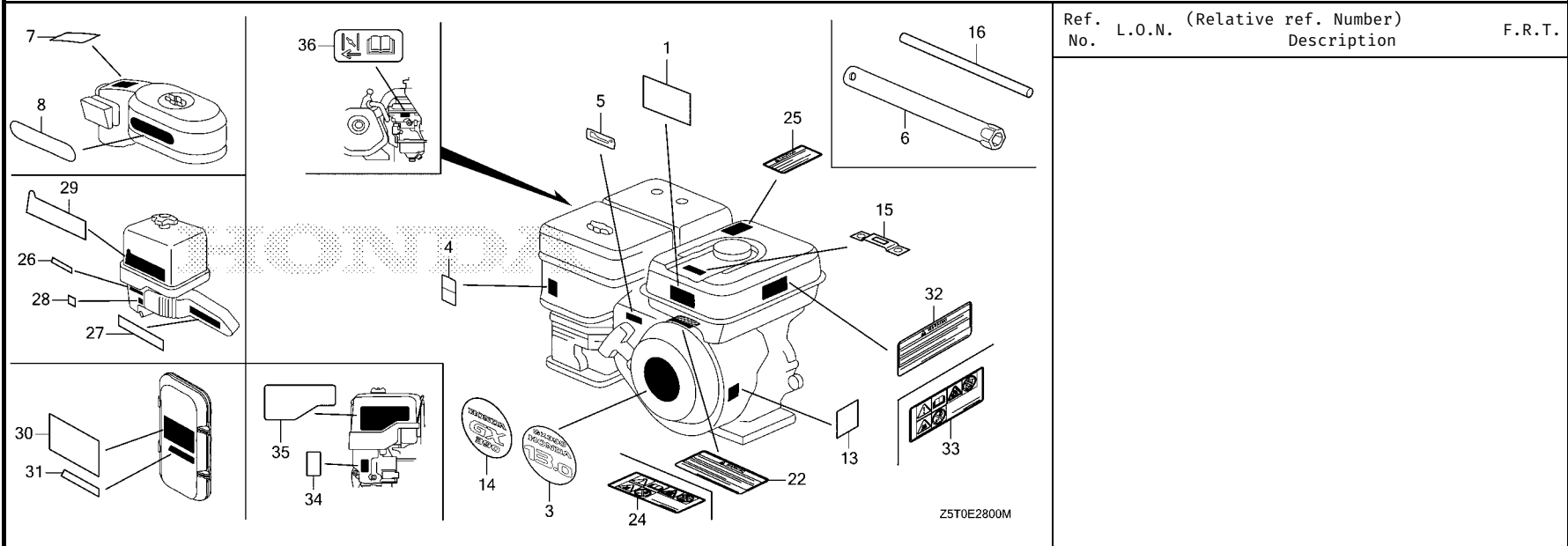


Ref. No.	Part No.	Description	Reqd. QTY					Serial No.	Parts catalogue code
			GX 390 UT1	GX 390 UT2	GX 390 RT1	GX 390 RT2	GX 390 UT2X		
10)	96100-62060-00	BEARING, RADIAL BALL, 6206...	1	1	-	-	1	-----	LFU, LKE, LX2, LXE4, LXE5, LXE8, LXQ4, LXU
11	90745-ZE2-600	KEY, 6.3X6.3X43.....	1	1	-	-	1	-----	HA2
	90741-805-000	KEY, 7X7X33.....	1	1	-	-	1	-----	LFU, LKE, LX2, LXE4, LXE5, LXE8, LXQ4, LXU
	90741-889-810	KEY, 7X7X33(YELLOW)(O.S.)...	(1)	(1)	-	-	(1)	-----	LFU, LKE, LX2, LXE4, LXE5, LXE8, LXQ4, LXU



E-28

LABEL/TOOL



Ref. No.	Part No.	Description	Reqd. QTY					Serial No.	Parts catalogue code
			GX 390 UT1	GX 390 UT2	GX 390 RT1	GX 390 RT2	GX 390 UT2X		
1	87516-Z4H-810	MARK, OPERATOR CAUTION (PICTOGRAPH)(MADE IN THAI)	(1)	-	(1)	-	-	-	LXE8, LXU, PXD8, PXE8, PXU, QA2, QA26, QAA2, QAA6, QAW, QDW9, QK4 QTT, QWA4, QWT2, QXC9, QXE8, QXER, QXQ4, QXU, QXUZ, SHQ4, SXE8, SXQ4 VKX4, VNG1, VPX4, VPX9, VSD7, VSD9, VX8, VXB7, VXB9, VXE8, VXG
	87519-Z4H-000	MARK, OPERATOR CAUTION (PICTOGRAPH)	1	-	1	-	-	1619385	LKE, LXE4, LXQ4, QHB4, QK4, QKA4, QWA4, QWC4, QXB7, QXB9, QXC4, QXE4 QXH9, QXQ4, SCK4, SHQ4, SM32, SMC1, SMD3, SME0, SME6, SNC, STC4 SXE4, SXQ4, VKE4, VKX4, VN27, VNG1, VPX4, VS49, VSD4, VSD7, VSD9 VTH4, VMT4, VX8, VXB7, VXB9, VXE7, VXE9, VXQ4
	87516-Z4H-000	MARK, OPERATOR CAUTION (ENGLISH)(MADE IN THAI)	1	-	-	-	-	-	LKE, LX2, LXE4, LXQ4, QC2, QE, QHB4, QK4, QKA4, QME0, QNE8, QWA4 QWC4, QXB7, QXB9, QXC4, QXC6, QXE4, QXE7, QXE9, QXH9, QXQ4, SCK4 SHQ4, SM32, SMC1, SMD3, SME0, SME6, SNC, STC4, SWA4, SXB7, SXB9 SXE4, SXQ4, VA2, VN27, VNG1, VPX4, VPX9, VSD7, VSD9, VXB7, VXB9 VXE2, VXE7, VXE9, VXQ4
	87516-ZH7-810	MARK, OPERATOR CAUTION (PICTOGRAPH)(MADE IN JAPAN)	(1)	-	-	-	-	-	LX2, QC2, QE, QME0, QNE8, QXC6, QXE7, QXE9, SXB7, SXB9, VA2, VXE2 VXE9
	87519-Z4H-000	MARK, OPERATOR CAUTION (PICTOGRAPH)	1	-	-	-	-	-	QA4, QAE4, QXCU
	87516-Z4H-010	MARK, OPERATOR CAUTION (ENGLISH)(MADE IN THAI)	1	-	-	-	-	-	QME2, QXS2, SHQ2, SMC2, SWA2
	87516-ZH7-810	MARK, OPERATOR CAUTION (PICTOGRAPH)(MADE IN JAPAN)	(1)	-	-	-	-	1513467	HA2, LKE, LXE4, LXQ4, PA2, PAE2, QAE2, QAE6, QHB4, QKA4, QNE2, QNE6 QNR2, QNR6, QWC4, QXB7, QXB9, QXC4, QXE4, QXE6, QXH9, QXS4, SCK4 SM32, SMC1, SMD3, SME0, SME6, SNC, STC4, SWA4, SXE4, SXU, VC2N, VM2 VN27, VXE6, VXE7, VXQ4



E-28

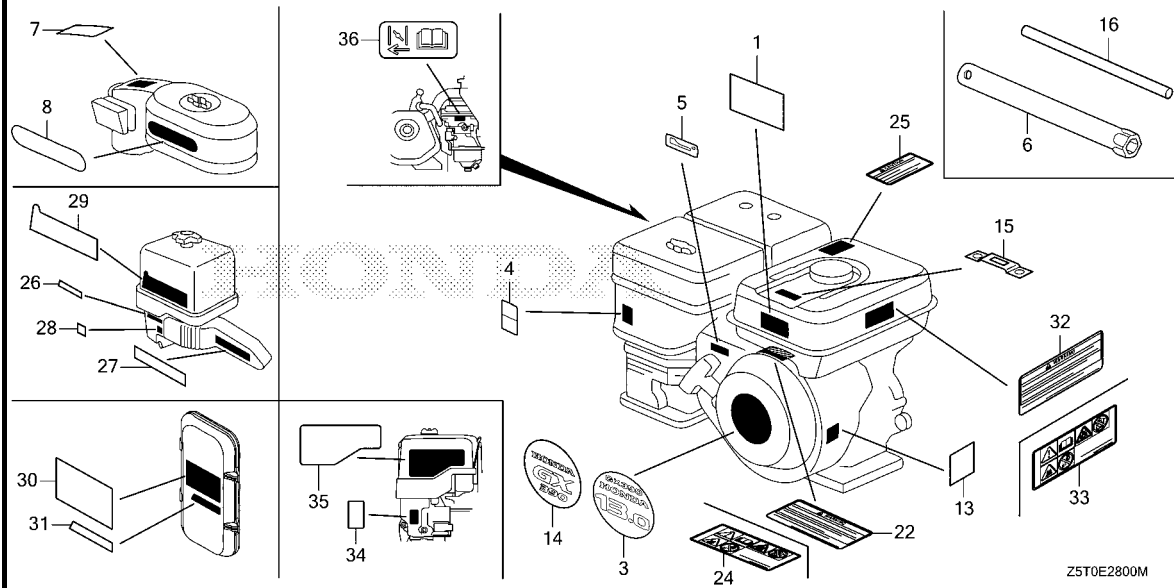
LABEL/TOOL

Ref. No.	Part No.	Description	Reqd. QTY					Serial No.	Parts catalogue code
			GX 390 UT1	GX 390 UT2	GX 390 RT1	GX 390 RT2	GX 390 UT2X		
(1)	87516-Z4H-000	MARK, OPERATOR CAUTION (ENGLISH)(MADE IN THAI)	1	-	-	-	-	1619384	HA2, LXE8, LXU, PA2, PAE2, PXD8, PXE8, PXU, QA2, QA26, QAA2, QAA6, QAE2, QAE6, QAW, QDW9, QNE2, QNE6, QNR2, QNR6, QTT, QWT2, QXC9, QXE6, QXE8, QXER, QXS4, QXU, QXUZ, SXE8, SXU, VC2N, VKX4, VM2, VX8, VXE6, VXE8, VXG
	87516-Z4H-810	MARK, OPERATOR CAUTION (PICTOGRAPH)(MADE IN THAI)	(1)	-	-	-	-	1513468	HA2, LKE, LXE4, LXQ4, PA2, PAE2, QAE2, QAE6, QHB4, QKA4, QNE2, QNE6, QNR2, QNR6, QWC4, QXB7, QXB9, QXC4, QXE4, QXE6, QXH9, QXS4, SCK4, SM32, SMC1, SMD3, SME0, SME6, SNC, STC4, SWA4, SXE4, SXU, VC2N, VM2, VN27, VXE6, VXE7, VXQ4
	87516-Z4H-010	MARK, OPERATOR CAUTION (ENGLISH)(MADE IN THAI)	1	-	-	-	-	1619385	HA2, LXE8, LXU, PA2, PAE2, PXD8, PXE8, PXU, QA2, QA26, QAA2, QAA6, QAE2, QAE6, QAW, QDW9, QNE2, QNE6, QNR2, QNR6, QTT, QWT2, QXC9, QXE6, QXE8, QXER, QXS4, QXU, QXUZ, SXE8, SXU, VC2N, VKX4, VM2, VX8, VXE6, VXE8, VXG
			-	1	-	1	-		ED6, EDD2, EZD2, HA2, LX2, LXE8, LXU, PA2, PAE2, PKT, PXD8, PXE8, PXM8, PXU, QA2, QA26, QAA2, QAA6, QAE2, QAE6, QC2, QDW9, QNE2, QNE8, QNGN, QNR2, QNR6, QTT, QWC, QWT2, QXC6, QXC9, QXE6, QXE8, QXEM, QXER, QXU, QXUM, QXUZ, QZA2, QZAV, QZN2, QZND, QZNH, QZNR, SMX2, SXE8, SXU, VA2, VAA1, VC2, VCT2, VM2, VX8, VXE2, VXE8, VXG, VZC2, VZX8
	87519-Z4H-000	MARK, OPERATOR CAUTION (PICTOGRAPH)	-	1	-	1	-		LKE, LXE4, LXQ4, QA4, QAE4, QE, QHB4, QK4, QKA4, QME0, QWA4, QWC4, QXAC, QXB7, QXB9, QXC4, QXCU, QXE4, QXE7, QXE9, QXQ4, QXS4, QZX9, SCK4, SHQ4, SHQ5, SHQ6, SM32, SMC1, SMD3, SME0, SME6, SNC, STC4, SWA4, SXB7, SXE4, SXQ4, VKE4, VKER, VKX4, VKXR, VN27, VPE5, VPX4, VSD4, VSD7, VSD9, VXB7, VXB9, VXE7, VXE9, VXQ4, VZX7
	87516-Z4H-000	MARK, OPERATOR CAUTION (ENGLISH)(MADE IN THAI)	-	-	1	-	-		QWA2, VD2, VEP9, VKB2, VKE4, VKX4, VNG1, VPE5, VPE9, VPX4, VPX9, VS49, VSD4, VTH4, VWC9, VWT4
	87516-ZH7-810	MARK, OPERATOR CAUTION (PICTOGRAPH)(MADE IN JAPAN)	-	-	(1)	-	-	1518791	QNB2, QWA2, VAA1, VAA8, VAC2, VAG2, VC2, VCN2, VD2, VDE2, VEP9, VK2, VKB2, VKE4, VPE5, VPE9, VS49, VSD4, VTH4, VWC, VWC9, VWE, VWT4
	87516-Z4H-000	MARK, OPERATOR CAUTION (ENGLISH)(MADE IN THAI)	-	-	1	-	-	1619384	QNB2, QTT, VAA1, VAA8, VAC2, VAG2, VC2, VCN2, VDE2, VK2, VWC, VWE, VXG
	87516-Z4H-810	MARK, OPERATOR CAUTION (PICTOGRAPH)(MADE IN THAI)	-	-	(1)	-	-	1518792	QNB2, QWA2, VAA1, VAA8, VAC2, VAG2, VC2, VCN2, VD2, VDE2, VEP9, VK2, VKB2, VKE4, VPE5, VPE9, VS49, VSD4, VTH4, VWC, VWC9, VWE, VWT4
	87516-Z4H-010	MARK, OPERATOR CAUTION (ENGLISH)(MADE IN THAI)	-	-	1	-	-	1619385	QNB2, QTT, VAA1, VAA8, VAC2, VAG2, VC2, VCN2, VDE2, VK2, VWC, VWE, VXG
			-	-	-	1	-	1409983	EDS6, EDT6
	87519-Z4H-000	MARK, OPERATOR CAUTION (PICTOGRAPH)	-	-	-	-	1		LKE, LXE4, LXQ4, QA4, QE, QHB4, QK4, QKA4, QME0, QXAC, QXB7, QXB9, QXE7, QXE9, SCK4, SHQ4, SHQ5, SHQ6, SM32, SMC1, SMD3, SME0, SME6, STC4, SWA4, SXB7, SXE4, VN27, VSD9, VXB7, VXB9, VXE7, VXE9, VZX7
	87516-Z4H-010	MARK, OPERATOR CAUTION (ENGLISH)(MADE IN THAI)	-	-	-	-	1		LX2, LXE8, LXU, PA2, PKT, PXD8, PXE8, PXU, QWC, QXE6, QXE8, QXEM, QXER, QXU, QXUM, QZA2, QZAV, QZNR, SMX2, VX8, VXE2, VXE8, VZX8
3	87521-ZF6-W03	EMBLEM(GX390 HONDA 13.0).....	1	-	-	-	-	1284084	LXE8, LXU, PXE8, PXU, QA2, QA26, QAA2, QAA6, QAW, QDW9, QK4, QTT, QWA4, QWT2, QXC9, QXE8, QXQ4, QXU, SHQ4, SXE8, SXQ4, VKX4, VNG1, VPX4, VPX9, VSD7, VSD9, VX8, VXB7, VXB9, VXE8, VXG



E-28

LABEL/TOOL



Z5T0E2800M

Ref. No.	Part No.	Description	Reqd. QTY					Serial No.	Parts catalogue code
			GX 390 UT1	GX 390 UT2	GX 390 RT1	GX 390 RT2	GX 390 UT2X		
4	87528-ZH7-000	MARK, CHOKE(GRAY)	1	-	1	-	-	HA2, LKE, LX2, LXE4, LXE8, LXQ4, LXU, PA2, PAE2, PXD8, PXE8, PXU, QA2, QA26, QA4, QAA2, QAA6, QAE2, QAE4, QAE6, QAW, QC2, QDW9, QE, QHB4, QKA4, QME0, QME2, QNB2, QNE2, QNE6, QNE8, QNR2, QNR6, QTT, QWA2, QWC4, QWT2, QXB7, QXB9, QXC4, QXC6, QXC9, QXCU, QXE4, QXE6, QXE7, QXE8, QXE9, QXER, QXH9, QXQ4, QXU, QXUZ, SCK4, SHQ2, SHQ4, SM32, SMC1, SMC2, SMD3, SME0, SME6, SNC, STC4, SXB7, SXB9, SXE4, SXE8, SXQ4, SXU, VA2, VAC2, VAG2, VCN2, VD2, VDE2, VK2, VKB2, VM2, VN27, VNG1, VSD7, VSD9, VWC9, VWT4, VX8, VXB7, VXB9, VXE2, VXE6, VXE7, VXE8, VXE9, VXQ4	
	87528-Z5T-000	MARK, CHOKE	-	1	-	1	-	QA26, QAA6, QAE4, QAE6, QNE8, QNR6, QWA2, QWC4, QXC6, SMSC, SMXC, SXE8, SXU, VA2, VAG2, VK2, VKB2, VM2, VSD7, VXQ4	
			-	1	-	-	-	3449538 QC2, QDW9, QMAH, QWT2, QXC4, QXC9, QXCU, SNC	
			-	1	-	-	-	3456308 HA2, LKE, LX2, LXE4, LXE5, LXE8, LXQ4, LXU, PA2, PAE2, PKT, PXD8, PXE8, PXU, QA2, QA4, QAA2, QAE2, QE, QHB4, QKA4, QME0, QNE2, QNR2, QWC, QXAC, QXB7, QXB9, QXE4, QXE6, QXE7, QXE8, QXE9, QXEM, QXER, QXQ4, QXU, QXUM, QXUZ, SCK4, SHQ4, SHQ5, SHQ6, SM32, SMC1, SMD3, SME0, SME6, SMX2, STC4, SXB7, SXBG, SXE4, SXEM, SXQ4, VN27, VSB9, VSD9, VX8, VXB7, VXB9, VXE2, VXE7, VXE8, VXE9	
			-	-	-	1	-	3456088 PXM8, QNB2, QNGN, QTT, SDQ5, SMES, VDE2, VWC9, VWT4	



E-28

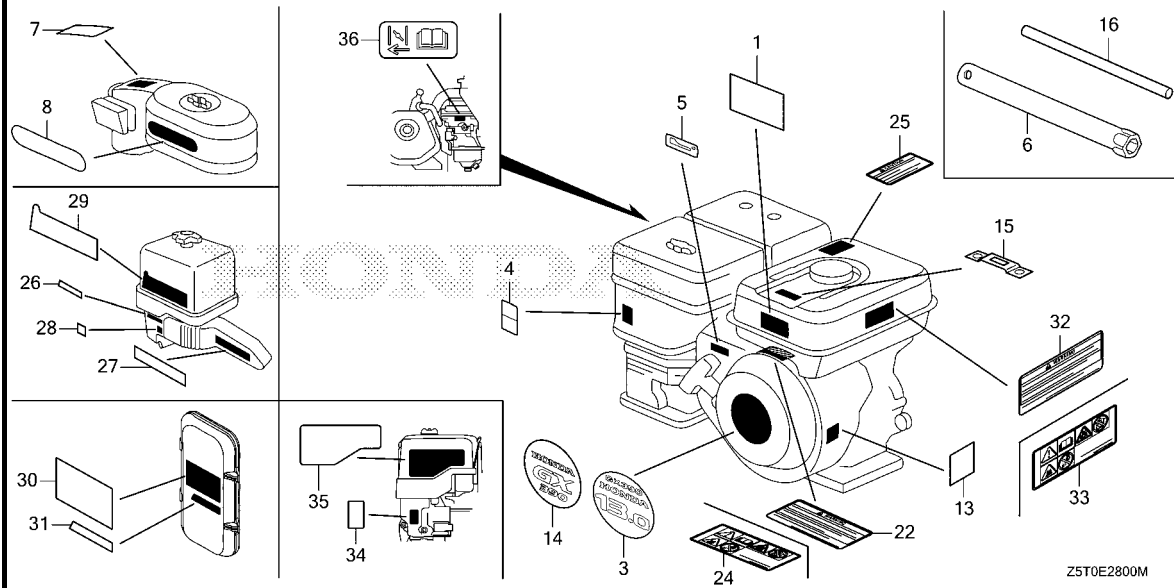
LABEL/TOOL

Ref. No.	Part No.	Description	Reqd. QTY					Serial No.	Parts catalogue code
			GX 390 UT1	GX 390 UT2	GX 390 RT1	GX 390 RT2	GX 390 UT2X		
5	87532-ZH7-000	MARK, THROTTLE INDICATION	1	-	1	1	-	HA2, LKE, LX2, LXE4, LXE8, LXQ4, LXU, PA2, PAE2, PXD8, PXE8, PXM8 PXU, QA2, QA26, QA4, QAA2, QAA6, QAE2, QAE4, QAE6, QAGN, QAW, QC2 QDW9, QE, QHB4, QK4, QKA4, QME0, QME2, QNB2, QNE2, QNE6, QNE8, QNGN QNR2, QNR6, QTT, QWA2, QWA4, QWC4, QWT2, QXB7, QXB9, QXC4, QXC6 QXC9, QXCU, QXE4, QXE6, QXE7, QXE8, QXE9, QXER, QXH9, QXQ4, QXS4 QXU, QXUZ, SCK4, SDQ5, SHQ2, SHQ4, SM32, SMC1, SMC2, SMD3, SME0 SME6, SMES, SNC, STC4, SWA4, SXB7, SXB9, SXE4, SXE8, SXQ4, SXU, VA2 VDE2, VM2, VN27, VNG1, VXB7, VXB9, VXE2, VXE6, VXE7, VXE9, VXQ4	
			-	1	-	-	1	HA2, LFU, LKE, LX2, LXE4, LXE5, LXE8, LXQ4, LXU, PA2, PAE2, PKT, PXD8 PXE8, PXU, QA2, QA26, QA4, QAA2, QAA6, QAE2, QAE4, QAE6, QC1, QC2 QC3, QC6, QC9, QCDW, QCE2, QCWT, QDW9, QE, QHB4, QK4, QKA4, QMAH QME0, QNE2, QNE8, QNR2, QNR6, QNRV, QWC, QWC4, QWT2, QXAC, QXB7 QXB9, QXC4, QXC6, QXC9, QXCU, QXE4, QXE6, QXE7, QXE8, QXE9, QXEM QXER, QXQ4, QXU, QXUM, QXUZ, SC1, SCC, SCK4, SCM, SCM1, SCM2, SCM3 SCMV, SE1C, SE2C, SHQ4, SHQ5, SHQ6, SM32, SMC1, SMD3, SME0, SME6 SMSC, SMX2, SMXC, SNC, STC4, SXB7, SXBG, SXE4, SXE8, SXEM, SXQ4, SXU VA2, VM2, VN27, VSB9, VXB7, VXB9, VXE2, VXE6, VXE7, VXE9, VXQ4	
6	89216-Z0T-800	WRENCH, SPARK PLUG	1	1	1	1	1	EZD2, HA2, LFU, PA2, PAE2, PKT, QA2, QA26, QA4, QAA2, QAA6, QAE2 QAE4, QAE6, QAGN, QMAH, QNB2, QNE2, QNE6, QTT, QWA2, QWC, QZA2, QZAV QZC, QZME, QZN2, QZNH, SC1, SCC, SCM, SCM1, SCM2, SCM3, SE2C, SM32 SMC1, SMC2, SMD3, SMSC, SMX2, SMXC, SNC, STC4, SXBG, SXEM, VA2, VD2 VKE4, VKX4, VM2, VNG1	
	89216-ZB4-000	WRENCH, PLUG	1	-	1	1	-	ED6, EDD2, EDS6, EDT6, EZDM, EZDS, EZDV, SXS6, VC2, VC2N, VCF, VCT VCT2, VWS, VXF, VXG, VXT, VZC2	
	89216-Z0T-800	WRENCH, SPARK PLUG	(1)	-	-	(1)	-	QE, QHB4, QNE8, QNGN, QNR2, QNR6	
	89218-ZE1-000	WRENCH COMP., SPARK PLUG	1	-	-	-	-	QAW	
			(1)	-	-	-	-	VN27	
	89216-Z0T-800	WRENCH, SPARK PLUG	-	(1)	-	(1)	-	QE, QHB4, QNE8, QNR2, QNR6, QNRV, VN27	
7	87534-ZE1-841	LABEL, AIR CLEANER CAUTION	1	-	-	-	-	QC2, QDW9, QWA4, QWC4, QWT2, QXC6, QXC9, QXCU, QXS4	
			-	1	-	-	-	1168122 QC2, QDW9, QWA4, QWC4, QWT2, QXC4, QXC6, QXC9, QXCU	
8	87535-ZE1-841	MARK, AIR CLEANER SALES POINT	1	1	-	-	-	QC2, QDW9, QWA4, QWC4, QWT2, QXC4, QXC6, QXC9, QXCU, QXS2, QXS4 SMSC, SMXC, SNC	
13	87594-ZB4-A00	MARK, OIL CAUTION	1	-	1	1	-	ED6, EDD2, EDS6, EDT6, SXS6, VC2, VC2N, VCF, VCT, VCT2, VXF, VXG, VXT	
14	87521-ZF6-W04	EMBLEM(HONDA GX390)	1	-	-	-	-	HA2, LX2, LXE4, LXQ4, PA2, PAE2, PXD8, QA4, QAE2, QAE4, QAE6, QC2, QE QHB4, QKA4, QME0, QME2, QNE2, QNE6, QNE8, QNR2, QNR6, QWC4, QXB7 QXB9, QXC4, QXC6, QXCU, QXE4, QXE6, QXE7, QXE8, QXE9, QXER, QXH9, QXS2 QXS4, QXUZ, SCK4, SHQ2, SM32, SMC1, SMC2, SMD3, SME0, SNC, STC4 SWA2, SWA4, SXB7, SXB9, SXE4, SXU, VA2, VC2N, VM2, VN27, VXE2, VXE6 VXE7, VXE9, VXQ4	
			1	-	-	-	1284085	LXE8, LXU, PXE8, PXU, QA2, QA26, QAA2, QAA6, QAW, QDW9, QK4, QTT QWA4, QWT2, QXC9, QXE8, QXQ4, QXU, SHQ4, SXE8, SXQ4, VKX4, VNG1 VPX4, VPX9, VSD7, VSD9, VX8, VXB7, VXB9, VXE8, VXG	
	87521-Z5T-000		-	1	-	1	1	ED6, EDD2, EDS6, EDT6, HA2, LFU, LX2, LXE4, LXE5, LXE8, LXQ4, LXU PA2, PAE2, PKT, PXD8, PXE8, PXM8, PXU, QA2, QA26, QA4, QAA2, QAA6 QAE2, QAE4, QAE6, QAGN, QC1, QC2, QC3, QC4, QC5, QC6, QCDW, QCE2 QCWT, QDW9, QE, QHB4, QK4, QKA4, QMAH, QME0, QNB2, QNE2, QNE8, QNGN QNR2, QNR6, QNRV, QTT, QWA2, QWA4, QWC, QWC4, QWT2, QXAC, QXB7, QXB9 QXC4, QXC6, QXC9, QXCU, QXE4, QXE6, QXE7, QXE8, QXE9, QXEM, QXER QXQ4, QXS4, QXU, QXUM, QXUZ, SC1, SCC, SCK4, SCM, SCM1, SCM2, SCM3 SCMV, SDQ5, SE1C, SE2C, SHQ4, SHQ5, SHQ6, SM32, SMC1, SMD3, SME0 SMES, SMSC, SMX2, SMXC, SNC, STC4, SWA4, SXB7, SXBG, SXE4, SXE8 SXEM, SXQ4, SXS6, SXU, VA2, VAA1, VAG2, VC2, VCF, VCT, VCT2, VDE2 VEP9, VK2, VKB2, VKE4, VKER, VKX4, VKXR, VM2, VN27, VPE5, VPE9, VPP9 VPX4, VPX9, VSB9, VSD4, VSD7, VSD9, VWC, VWC9, VWE, VWT4, VX8, VXB7 VXB9, VXE2, VXE7, VXE8, VXE9, VXF, VXG, VXQ4, VXT	
	87521-ZF6-W04		-	-	1	-	-		



E-28

LABEL/TOOL



Ref. No.	Part No.	Description	Reqd. QTY					Serial No.	Parts catalogue code	
			GX 390 UT1	GX 390 UT2	GX 390 RT1	GX 390 RT2	GX 390 UTX			
15	87565-ZE2-A01	MARK, FUEL INDICATION (PICTOGRAPH)	1	-	-	-	-	-----	STC4	
	87565-ZE2-810	MARK, FUEL INDICATION(ENGLISH)	1	-	-	-	-	-----	VM2	
	87565-ZE2-811	MARK, FUEL INDICATION (PICTOGRAPH)	-	1	-	-	-	1008727	-----	VM2
	87565-ZE2-A01	-	1	-	-	-	1170987	1402619	STC4
16	89219-805-000	HANDLE, BOX WRENCH.....	1	1	-	-	1	-----	-----	LFU,QMAH, SCC, SCM1, SCM2, SM32, SMSC, SXEM
22	87516-Z4H-010	MARK, OPERATOR CAUTION (ENGLISH)(MADE IN THAI)	1	-	-	1	-	-----	-----	EZDM, EZDS, EZDV, QNB2, VAG2, VCT, VDE2, VK2, VPX2, VXT
	87516-Z4H-020	-	-	-	1	-	-----	-----	VCF, VXF
24	87519-Z4H-000	MARK, OPERATOR CAUTION (PICTOGRAPH)	-	-	-	1	-	-----	-----	VWT4
25	87539-Z0J-000	MARK, EX. CAUTION(ENGLISH)...	1	-	1	-	-	1675952	-----	HA2, LXE8, LXU, PA2, PAE2, PXD8, PXE8, PXU, QA2, QA26, QAA2, QAA6, QAE2, QAE6, QAW, QDW9, QNB2, QNE2, QNE6, QNR2, QNR6, QTT, QWA2, QWT2, QXC9, QXE6, QXE8, QXER, QXU, QXUZ, SXE8, SXU, VAC2, VAG2, VCN2, VD2, VDE2, VK2, VKB2, VM2, VWC9, VX8, VXE6, VXE8
			1	-	-	-	-	-----	-----	QME2, QXS2, SHQ2, SMC2, SWA2
			-	1	-	-	1	-----	-----	HA2, LX2, LXE8, LXU, PA2, PAE2, PKT, PXD8, PXE8, PXU, QA2, QA26, QAA2, QAA6, QAE2, QAE6, QC2, QC9, QCDW, QCE2, QCWT, QDW9, QNE2, QNE8, QNR2, QNR6, QNRV, QWC, QWT2, QXC6, QXC9, QXE6, QXE8, QXEM, QXER, QXU, QXUM, QXUZ, QZA2, QZAV, QZME, QZN2, QZND, QZNH, QZNR, QZXR, SCM, SCM2, SCM3, SCMV, SMX2, SMXC, SXE8, SXU, VA2, VM2, VX8, VXE2, VXE8, VZX8
26	87528-Z2E-800	MARK, CHOKE.....	-	1	-	-	1	-----	-----	QZA2, QZAV, QZC, QZD, QZDS, QZHW, QZME, QZN2, QZND, QZNH, QZNR, QZRL, QZRV, QZX9, QZXR, SZEC, VZS9, VZX7, VZX8
27	87531-Z5T-W00	MARK(HONDA).....	-	1	-	-	1	-----	-----	QZA2, QZAV, QZC, QZD, QZDS, QZHW, QZME, QZN2, QZND, QZNH, QZNR, QZRL, QZRV, QZX9, QZXR, SZEC, VZS9, VZX7, VZX8



E-28

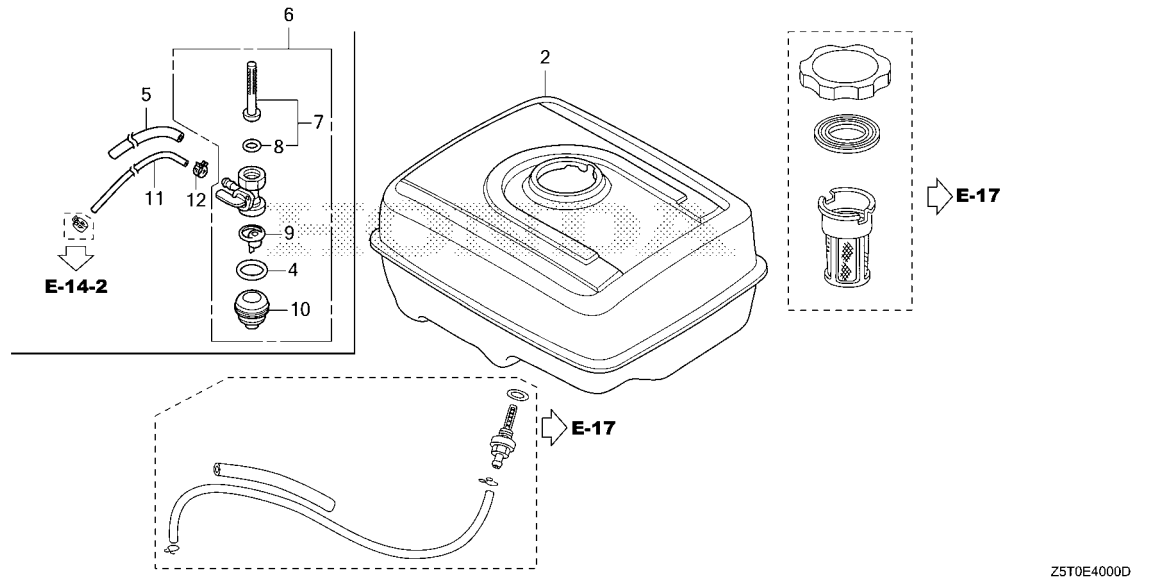
LABEL/TOOL

Ref. No.	Part No.	Description	Reqd. QTY					Serial No.	Parts catalogue code	
			GX 390 UT1	GX 390 UT2	GX 390 RT1	GX 390 RT2	GX 390 UT2X			
28	87565-Z5T-W00	MARK, FUEL	-	1	-	-	1	-----	QZA2, QZAV, QZC, QZD, QZDS, QZHW, QZME, QZN2, QZND, QZNH, QZNR, QZRL, QZRV, QZX9, QZXR, SZEC, VZS9, VZX7, VZX8	
29	87602-Z5T-W00	MARK, SALES POINT	-	1	-	-	1	-----	QZA2, QZAV, QZC, QZD, QZDS, QZHW, QZME, QZN2, QZND, QZNH, QZNR, QZRL, QZRV, QZX9, QZXR, SZEC, VZS9, VZX7, VZX8	
30	87602-ZBH-W00	MARK, SALES POINT	-	-	-	1	-	-----	EZDM, EZDS, EZDV, VZC2, VZP9, VZWE, VZXZ	
31	87528-Z2E-800	MARK, CHOKE	-	-	-	1	-	-----	EZDM, EZDS, EZDV, VZC2, VZP9, VZWE, VZXZ	
32	87516-Z4H-010	MARK, OPERATOR CAUTION (ENGLISH)(MADE IN THAI)	-	1	-	-	-	-----	QC9, QCDW, QCE2, QCWT, QNRV, QZD, QZHW, QZME, QZRL, QZXR, SC1, SCM1, SCM3, SMXC	
	87516-Z4H-020	-	-	-	-	1	-----	HA2, PAE2, QA2, QAA2, QAE2, QC9, QCDW, QCE2, QCWT, QNE2, QNR2, QNRV, QXUZ, QZN2, QZXR, SCM, SCM3	
33	87519-Z4H-000	MARK, OPERATOR CAUTION (PICTOGRAPH)	-	1	-	-	-	-----	LXE5, QC1, QC3, QC4, QC5, QC6, QZC, QZD, QZDS, QZHW, QZRL, QZRV, SC1, SCM1, SMSC, SXBG, SXEM, SZEC, VSB9, VZS9	
	87519-Z4H-010	-	-	-	-	1	-----	LXE5, QC1, QC3, QC5, QC6, QXE4, QXQ4, QZD, QZHW, QZRL, SC1, SCM1, SXBG, SXEM, SXQ4, VSB9	
34	87528-Z4M-000	MARK, CHOKE	-	1	-	1	-	-----	SE1C, SE2C	
			-	1	-	-	-	3449539	-----	QAGN, QC1, QC3, QC6, QC9, QCDW, QCE2, QCWT, QNRV, SC1, SCC, SCM, SCM1, SCM2, SCM3
			-	1	-	-	-	3456309	-----	QC2, QDW9, QMAH, QWT2, QXC4, QXC9, QXCU, SNC
			-	-	-	-	-	-	-----	HA2, LKE, LX2, LXE4, LXE5, LXE8, LXQ4, LXU, PA2, PAE2, PKT, PXD8, PXE8, PXU, QA2, QA4, QAA2, QAE2, QE, QHB4, QKA4, QME0, QNE2, QNR2, QWC, QXAC, QXB7, QXB9, QXE4, QXE6, QXE7, QXE8, QXE9, QXEM, QXER, QXQ4, QXU, QXUM, QXUZ, SCK4, SHQ4, SHQ5, SHQ6, SM32, SMC1, SMD3, SME0, SME6, SMX2, STC4, SXB7, SXBG, SXE4, SXEM, SXQ4, VN27, VSB9, VSD9, VX8, VXB7, VXB9, VXE2, VXE7, VXE8, VXE9
			-	-	-	1	-	3456089	-----	PXM8, QNB2, QNGN, QTT, SDQ5, SMES, VDE2, VWC9, VWT4
			-	-	-	-	1	-----	HA2, LKE, LX2, LXE4, LXE5, LXE8, LXQ4, LXU, PA2, PAE2, PKT, PXD8, PXE8, PXU, QA2, QA4, QAA2, QAE2, QC1, QC3, QC6, QC9, QCDW, QCE2, QCWT, QE, QHB4, QKA4, QMAH, QME0, QNE2, QNR2, QNRV, QWC, QXAC, QXB7, QXB9, QXE4, QXE6, QXE7, QXE8, QXE9, QXEM, QXER, QXQ4, QXU, QXUM, QXUZ, SC1, SCC, SCK4, SCM, SCM1, SCM3, SCMV, SE1C, SE2C, SHQ4, SHQ5, SHQ6, SM32, SMC1, SMD3, SME0, SME6, SMX2, STC4, SXB7, SXBG, SXE4, SXEM, SXQ4, VN27, VSB9, VSD9, VX8, VXB7, VXB9, VXE2, VXE7, VXE8, VXE9	
35	87602-Z1C-780	MARK, SALES POINT	-	1	-	-	1	-----	QC1, QC3, QC4, QC5, QC6, QC9, QCDW, QCE2, QCWT, SC1, SCC, SCM, SCM1, SCM2, SCM3, SCMV, SE1C, SE2C	
36	87528-Z5T-W00	MARK, CHOKE	-	1	-	1	1	-----	EZD2, EZDM, EZDS, EZDV, QZA2, QZAV, QZC, QZD, QZDS, QZHW, QZME, QZN2, QZND, QZNH, QZNR, QZRL, QZRV, QZX9, QZXR, SZEC, VZC2, VZP9, VZS9, VZWE, VZX7, VZX8, VZXZ	



E-40

OTHER PARTS(FUEL TANK)

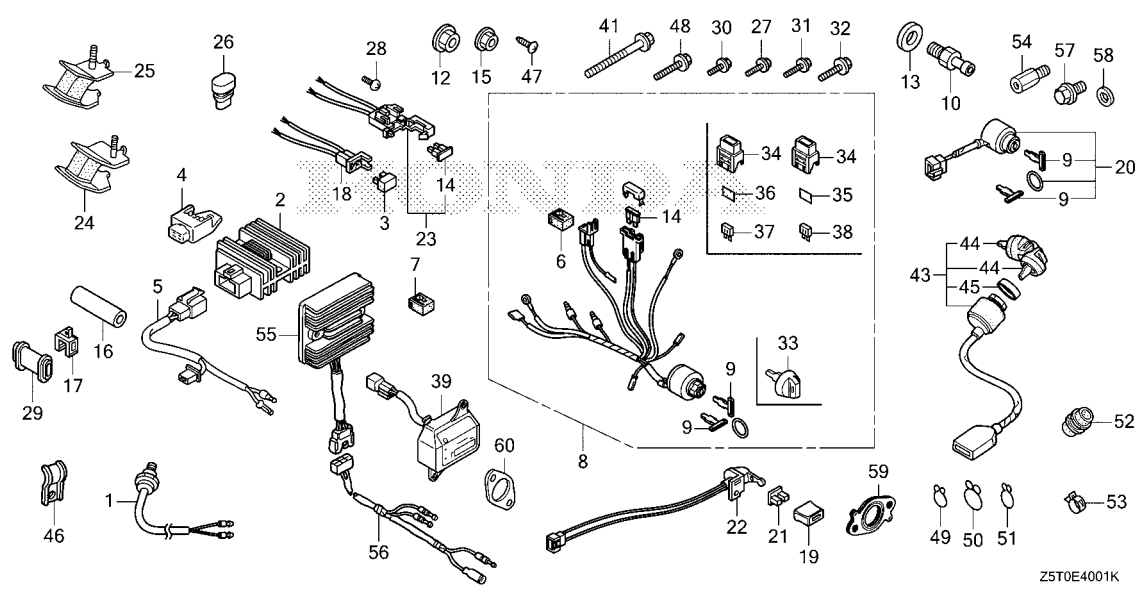


Ref. L.O.N. (Relative ref. Number) F.R.T.
No. Description

Ref. No.	Part No.	Description	Reqd. QTY					Serial No.	Parts catalogue code
			GX 390 UT1	GX 390 UT2	GX 390 RT1	GX 390 RT2	GX 390 UT2X		
2	17510-ZE3-030ZA	TANK COMP., FUEL							
	NH31	MCKINLEY WHITE	1	-	-	-	-	PXD8, QXER, QXUZ	
	17510-ZE3-020ZB	*NH1*	1	-	-	-	1468733	QA2, QAA2, QDW9, QWA4, QWT2, QXC9	
	17510-ZE3-020ZA	*NH31*	1	-	-	-	1468775	LXE8, LXU, PXE8, PXU, QA2, QA26, QAA2, QAA6, QAW, QDW9, QK4, QWA4, QXC9, QXE8, QXQ4, QXU, SHQ4, SXE8, SXQ4, VX8, VXE8	
	17510-ZE3-030ZB	*NH1*	1	-	-	-	1468734	QA2, QAA2, QDW9, QWA4, QWT2, QXC9	
	17510-ZE3-030ZA	*NH31*	1	-	-	-	1468776	LXE8, LXU, PXE8, PXU, QA2, QA26, QAA2, QAA6, QAW, QDW9, QK4, QWA4, QXC9, QXE8, QXQ4, QXU, SHQ4, SXE8, SXQ4, VX8, VXE8	
4	16173-001-004	O-RING	-	-	-	1	-	EZD2	
5	16854-ZH8-000	RUBBER, SUPPORTER(107MM)	-	-	-	1	-	VZWE	
6	16950-ZB4-015	COCK ASSY., FUEL	-	-	-	1	-	EZD2	
7	16952-ZB4-005	SCREEN SET, FUEL STRAINER	-	-	-	1	-	EZD2	
8	16958-397-771	O-RING, 9.0X1.3	-	-	-	1	-	EZD2	
9	16959-471-831	FILTER, CUP	-	-	-	1	-	EZD2	
10	16967-GA6-671	CUP, FUEL STRAINER	-	-	-	1	-	EZD2	
11	91424-Z5R-802	TUBE, FUEL, 4.5X260(FKM)	-	-	-	1	-	EDD2, EZD2	
			-	-	-	1	1878315	EZDM, EZDV	
			-	-	-	1	1878315	3314949 EZDS	
	91424-Z5R-803		-	-	-	1	3314950	EZDS	
12	95002-40800-08	CLAMP, TUBE(D8)	-	-	-	2	-	EZD2	
			-	-	-	1	-	VZWE	

E-40-1

OTHER PARTS(COMBINATION SWITCH)



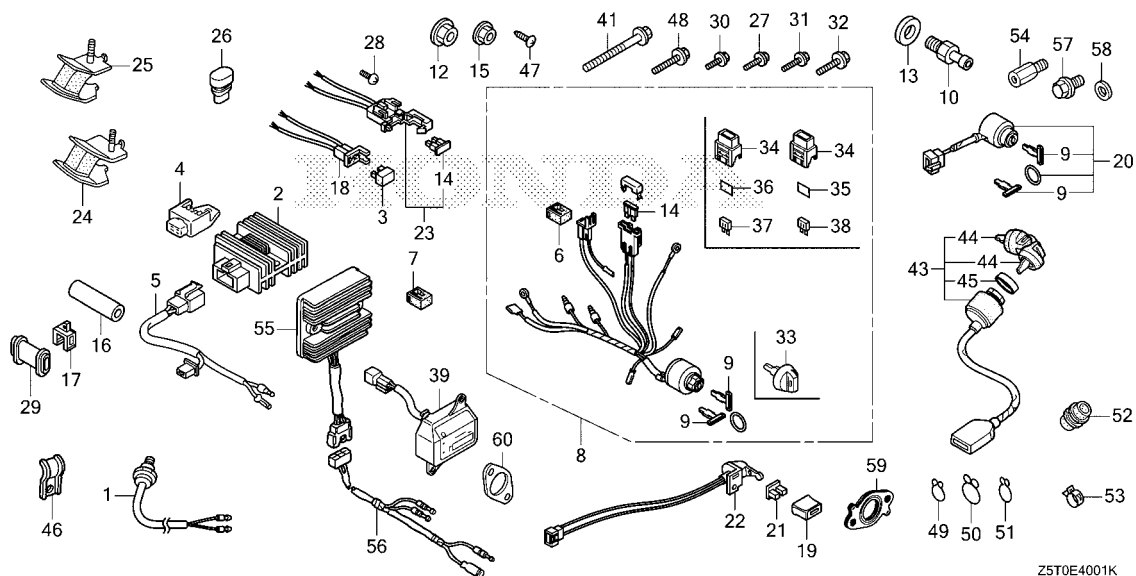
Ref. No. L.O.N. (Relative ref. Number) Description F.R.T.

Ref. No.	Part No.	Description	Reqd. QTY					Serial No.	Parts catalogue code
			GX 390 UT1	GX 390 UT2	GX 390 RT1	GX 390 RT2	GX 390 UT2X		
1	16500-ZE2-703	SWITCH, THERMO.....	-	-	1	1	-	VKE4	
2	31600-ZE2-861	RECTIFIER ASSY., REGULATOR (10A)	1	1	-	-	1	QC6,QMAH,QWC4,SCC	
3	31700-124-008	RECTIFIER ASSY., SILICON (SHINDENGEN)	1	1	1	1	1	EDD2, EDS6, QC2, QCE2, SCM3, SXEM, VCT2, VKE4, VKER, VPE5, VPE9 VPP9, VS49, VSD4, VWE	
4	31710-ZS9-A02	RECTIFIER ASSY.....	-	-	1	1	-	VEP9	
5	32110-ZE2-860	HARNESS ASSY., SUB WIRE.....	1	1	-	-	1	QC6,QMAH,QWC4	
6	32127-738-700	SUSPENSION, COUPLER.....	-	-	1	-	-	VKE4, VSD4, VTH4	
7	32127-738-700	SUSPENSION, COUPLER.....	-	1	1	-	1	VKE4, VKER, VKX4, VKXR, VSD4 SCM3, SXEM, VPE5, VPE9, VS49	
8	35100-Z5T-W82	SWITCH ASSY., COMBINATION (BUNDLE, HM, FS)	-	-	-	1	-	VKE4, VKER, VPE5, VPE9, VPP9, VZP9	
	35100-ZE2-843	SWITCH ASSY., COMBINATION (3A-CHARGE)	-	-	1	-	-	EZDM, EZDS, EZDV, QZME	
	35100-ZE2-033	SWITCH ASSY., COMBINATION.....	-	-	1	-	-	VKE4	
	35100-Z5T-821	SWITCH ASSY., COMBINATION (3A-CHARGE)	-	-	-	1	-	VSD4, VTH4	
	35100-Z5T-811	SWITCH ASSY., COMBINATION.....	-	-	-	1	-	VKE4, VKER, VKX4, VKXR	
9	35110-Z5T-W01	KEY COMP.....	-	1	-	1	-	VSD4	
	35111-880-013	KEY COMP.(HONDA LOCK).....	-	-	2	-	-	EZDM, EZDS, EZDV, QZME VKE4, VSD4, VTH4	
10	90131-ZE3-790	PLUG, OIL DRAIN.....	2	-	-	-	-	EDD2, EDS6, SXS6, VKE4, VKER, VKX4, VKXR, VSD4	
			-	2	-	-	-	SM32	
			-	1	-	-	1	QMAH, SCM1, SCM2, SM32, SMSC	
			-	2	-	-	-	SCM, SCM3, SMX2, SMXC, SXEM	
			-	-	-	-	-	3500927 SXBG	



E-40-1

OTHER PARTS(COMBINATION SWITCH)



Ref. No.	Part No.	Description	Reqd. QTY					Serial No.	Parts catalogue code
			GX 390 UT1	GX 390 UT2	GX 390 RT1	GX 390 RT2	GX 390 UT2X		
12	94050-08000	NUT, FLANGE, 8MM.....	5	-	5	-	-	VC2, VC2N, VEP9, VPE5, VPE9, VPX2, VWC, VWE SDQ5, SMES, SXS6, VC2, VCF, VCT, VCT2, VPE5, VPE9, VPP9, VWC, VWE VWS, VXF, VXG, VXT, VZC2, VZP9, VZWE, VZXZ	
13	94109-12000	WASHER, DRAIN PLUG, 12MM.....	2	-	-	-	1005682	VKE4, VKER, VKX4, VKXR, VPX4 VPX9	
14	98200-30500	FUSE, BLADE(5A).....	-	-	-	5	-	SM32	
	98200-31500	FUSE, BLADE(15A).....	-	1	-	-	-	LFU, SCM, SCM3, SMX2, SMXC, SXEM	
	98200-31000	FUSE, BLADE(10A).....	-	2	-	-	-	QMAH, SCM1, SCM2, SM32, SMSC	
	98200-31500	FUSE, BLADE(15A).....	-	2	-	-	3500927	SXBG	
15	94050-06000	NUT, FLANGE, 6MM.....	-	-	-	1	-	EDS6, VSD4, VTH4	
16	18301-ZE2-V60	COLLAR, 10X16X53.....	-	-	-	1	-	VKE4	
17	30561-ZB4-000	CLIP, WIRE.....	-	-	-	1	-	EDD2	
18	32130-ZE1-000	COUPLER COMP.....	-	-	-	1	-	VKE4, VKER, VKX4, VKXR	
19	32343-892-003	KNOB, COCK LEVER.....	-	-	-	1	-	ED6, EDD2, EDS6, EDT6, VAA1	
20	35100-ZB4-023	SWITCH ASSY., COMBINATION (HONDA LOCK)	-	-	-	1	-	EDD2, EDS6, SXS6	
21	36106-892-003	BUSH, CONTROL KNOB.....	-	-	-	1	-	EDT6	
22	36110-ZB4-702	SWITCH ASSY., ENGINE KILL.....	-	-	-	1	-	EDT6	
23	38220-ZE2-R70	CASE COMP., FUSE.....	-	-	-	1	-	EDD2	
	38220-ZE1-000	-	-	-	1	-	EDS6	
24	68325-899-000	RUBBER, BOTTOM.....	-	2	-	-	1698870	QZME	
25	68325-ZB4-000	RUBBER, BOTTOM.....	-	2	-	-	1698870	VWS, VWS1 QZME	

E-40-1

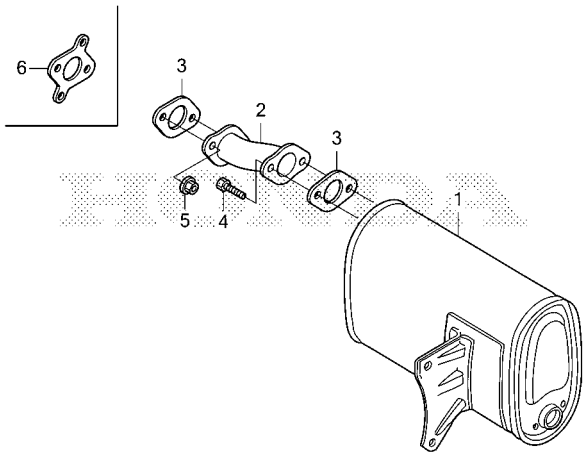
OTHER PARTS(COMBINATION SWITCH)

Ref. No.	Part No.	Description	Reqd. QTY					Serial No.	Parts catalogue code
			GX 390 UT1	GX 390 UT2	GX 390 RT1	GX 390 RT2	GX 390 UT2X		
25)	68325-ZC2-000	RUBBER, BOTTOM.....	-	-	-	2	-	VWS, VWS1	
26	76122-952-000	STOPPER, DISCHARGE GUARD.....	-	-	-	4	-	VWS, VWS1	
27	90013-883-000	BOLT, FLANGE, 6X12(CT200)....	-	2	-	1	-	ED6, EDD2, SCM2	
	95701-06012-00	BOLT, FLANGE, 6X12.....	-	-	-	8	-	ED6, EDD2, VKE4, VKER, VKX4, VKXR	
			-	-	-	7	-	EDS6, EDT6, EZDM, EZDS, EZDV	
28	90101-692-000	SCREW, GLOVE BOX.....	-	-	-	1	-	EDS6, EDT6	
29	91406-ZB4-000	TUBE, CORD.....	-	-	-	1	-	ED6, EDD2	
30	95701-06010-00	BOLT, FLANGE, 6X10.....	-	-	-	1	-	EDS6, EDT6, EZDM, EZDS, EZDV	
31	95701-06020-00	BOLT, FLANGE, 6X20.....	-	-	-	3	-	ED6, EDD2	
32	95701-08020-00	BOLT, FLANGE, 8X20.....	-	-	-	2	-	ED6, EDD2, EDS6, EDT6, VWS	
			-	-	-	1	1059765	VPE5, VPX4	
	95801-08020-18	-	-	-	1	2437063	ED6, EDD2	
	95701-08020-00	-	-	-	2	3000001	VPE9, VPP9, VPX9	
33	35110-Z5T-W11	KEY ASSY., COMBINATION SWITCH (BLACK)	-	-	-	1	-	EZDM, EZDS, EZDV, QZME	
34	38216-Z2E-003	COVER ASSY., FUSE.....	-	2	-	2	-	EZDM, EZDS, EZDV, QZME	
35	87117-Z2E-800	LABEL, FUSE(30A).....	-	1	-	1	-	EZDM, EZDS, EZDV, QZME	
36	87117-Z5T-W00	LABEL, FUSE(7.5A).....	-	1	-	1	-	EZDM, EZDS, EZDV, QZME	
37	98200-40750	FUSE, MINI(7.5A).....	-	1	-	1	-	EZDM, EZDS, EZDV, QZME	
38	98200-43000	FUSE, MINI(30A).....	-	1	-	1	-	EZDM, EZDS, EZDV, QZME	
39	39700-Z5T-W01	METER ASSY., HOUR.....	-	-	-	1	1494258	EZDM, EZDS, EZDV	
41	95701-08070-00	BOLT, FLANGE, 8X70.....	-	-	-	1	2437063	ED6, EDD2	
43	35100-766-013	SWITCH ASSY., COMBINATION	-	1	-	1	-	LFU, QMAH	
	35100-768-S01	-	1	-	1	-	SCM2, SCM3, SXEM	
44	35110-736-612	KEY ASSY., COMBINATION SWITCH (BLACK)	-	2	-	2	-	LFU, QMAH, SCM2, SCM3, SXEM	
45	35115-768-S01	COVER, KEY.....	-	1	-	1	-	SCM2, SCM3, SXEM	
46	16582-889-U20	HOLDER, CONTROL CABLE.....	-	1	-	1	-	SCC	
47	93500-05012-0A	SCREW, PAN, 5X12.....	-	1	-	1	-	SCC	
48	95701-08032-08	BOLT, FLANGE, 8X32.....	-	1	-	1	-	SCC	
49	95002-02080	CLIP, TUBE(B8).....	-	-	-	6	3000001	VWS1	
50	95002-02130	CLIP, TUBE(B12.5).....	-	-	-	1	3000001	VWS1	
51	95002-50000	CLIP, TUBE(C9).....	-	-	-	1	3000001	VWS1	
52	90854-ZB3-000	RUBBER, FUEL(9X15X20).....	-	-	-	1	-	VCT, VXT	
			-	-	-	3	3000001	VWS1	
53	95002-40800-08	CLAMP, TUBE(D8).....	-	-	-	2	-	SXS6, VK2	
			-	-	-	1	3000001	VWS1	
54	19526-ZE3-H60	EXTENSION, OIL DRAIN.....	-	1	-	1	-	LFU	
55	31620-ZG5-033	RECTIFIER ASSY., REGULATOR (20A)	-	1	-	1	-	LFU	
56	32110-ZE2-W00	HARNESS ASSY., SUB WIRE.....	-	1	-	1	-	LFU	
57	90131-ZE1-000	BOLT, DRAIN PLUG.....	-	1	-	1	-	LFU	
58	90601-ZE1-000	WASHER, DRAIN PLUG, 10.2MM	-	1	-	1	-	LFU	
59	18333-Z1C-901	GASKET, EX. PIPE.....	-	-	-	1	-	SXS6	
60	18333-ZB4-801	GASKET, EX. PIPE.....	-	-	-	1	-	SXS6	



E-40-2

OTHER PARTS(MUFFLER)(1)



Z5T0E4002B

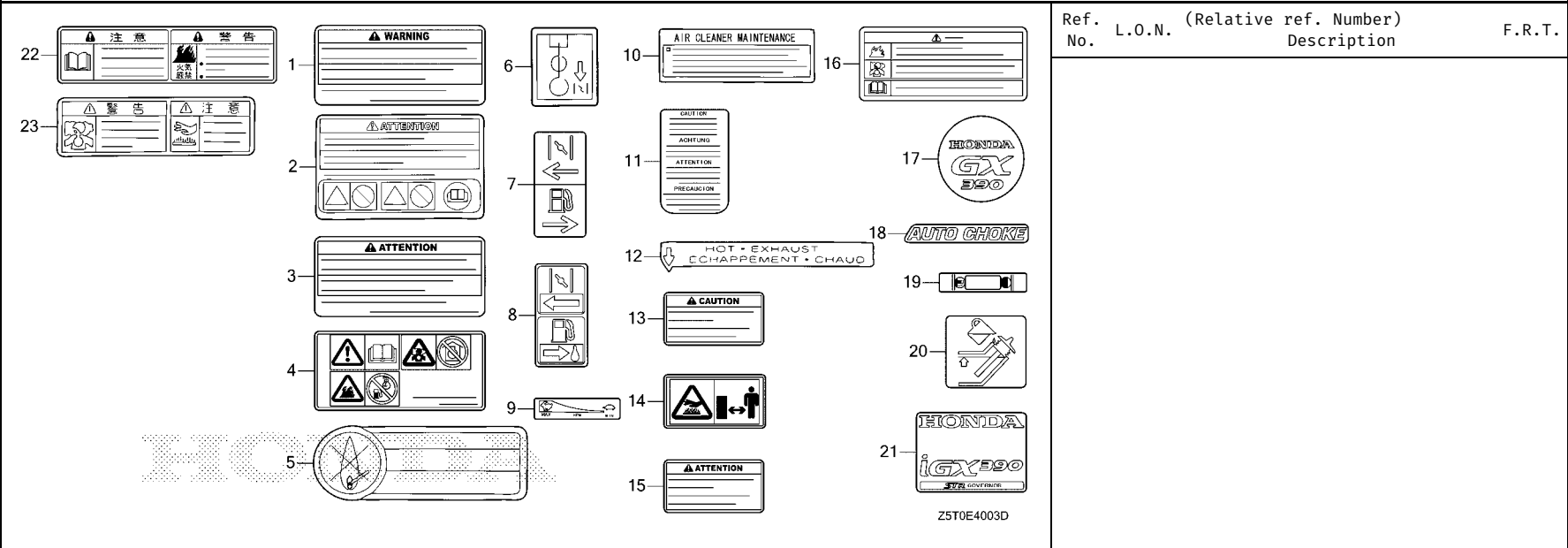
Ref. L.O.N. (Relative ref. Number) F.R.T.
No. Description

Ref. No.	Part No.	Description	Reqd. QTY					Serial No.	Parts catalogue code	
			GX 390 UT1	GX 390 UT2	GX 390 RT1	GX 390 RT2	GX 390 UT2X			
1	18310-Z5T-V90	MUFFLER COMP.	-	-	1	-	-	1632299	VEP9	
	18310-ZB8-003	-	-	1	-	1632300	-----	VEP9	
	18310-Z5T-V90	-	-	-	1	-	1089628	VEP9	
	18310-ZB8-013	-	-	-	1	-	1089629	-----	VEP9
2	18330-ZB8-003	PIPE COMP., EX.	-	-	1	1	-	-----	VEP9	
3	18333-ZB7-800	GASKET, EX. PIPE	-	-	2	2	-	-----	VEP9	
4	92101-08028-0A	BOLT, HEX., 8X28	-	-	2	2	-	-----	VEP9	
5	94050-08000	NUT, FLANGE, 8MM	-	-	2	-	-	1632299	VEP9	
	94001-08000-0S	NUT, HEX., 8MM	-	-	2	-	-	1632300	-----	VEP9
	94050-08000	NUT, FLANGE, 8MM	-	-	-	2	-	1089628	VEP9	
	94001-08000-0S	NUT, HEX., 8MM	-	-	-	2	-	1089629	-----	VEP9
6	18333-ZF6-W01	GASKET, EX. PIPE	-	-	-	1	-	-----	VZWE, VZXZ	

2

E-40-3

OTHER PARTS(MARK)

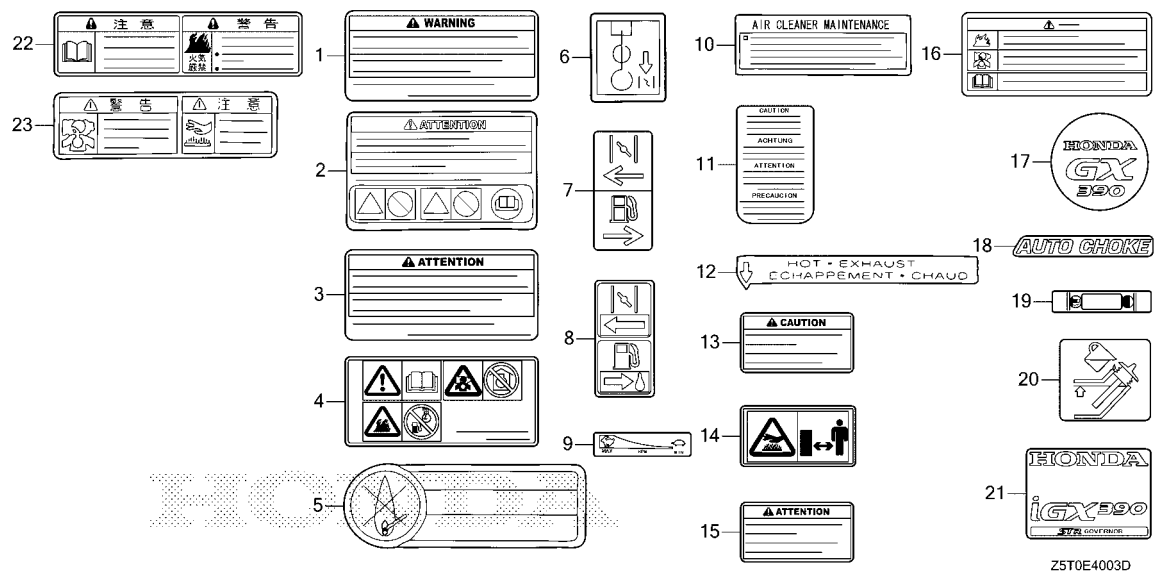


Ref. No.	Part No.	Description	Reqd. QTY					Serial No.	Parts catalogue code
			GX 390 UT1	GX 390 UT2	GX 390 RT1	GX 390 RT2	GX 390 UT2X		
1	87516-Z4H-010	MARK, OPERATOR CAUTION (ENGLISH)(MADE IN THAI)	1	-	-	-	-	-----	QA4, QAE4, QXCU
			1	-	-	-	-	1619385	LKE, LXE4, LXQ4, QHB4, QKA4, QWA4, QWC4, QXB7, QXB9, QXC4, QXE4, QXH9, QXQ4, SCK4, SHQ4, SM32, SMC1, SMD3, SME0, SME6, SNC, STC4, SWA4, SXE4, SXQ4, VN27, VNG1, VPX4, VPX9, VSD7, VSD9, VXB7, VXB9, VXE7, VXE9, VXQ4
			-	1	-	1	1	-----	LFU, LKE, LXE4, LXE5, LXQ4, QA4, QAE4, QAGN, QC1, QC3, QC4, QC5, QC6, QE, QHB4, QK4, QKA4, QMAH, QME0, QWA2, QWA4, QWC4, QXAC, QXB7, QXB9, QXC4, QXCU, QXE4, QXE7, QXE9, QXQ4, QXS4, QZC, QZD, QZDS, QZHW, QZRL, QZRV, QZX9, SC1, SCC, SCK4, SCM1, SDQ5, SHQ4, SHQ5, SHQ6, SM32, SMC1, SMD3, SME0, SME6, SMSC, SNC, STC4, SWA4, SXB7, SXBG, SXE4, SXEM, SXQ4, SZEC, VEP9, VKB2, VKE4, VKER, VKX4, VKXR, VN27, VPE5, VPE9, VPP9, VPX4, VPX9, VSB9, VSD4, VSD7, VSD9, VWC, VWC9, VWE, VWS, VWS1, VWT4, VXB7, VXB9, VXE7, VXE9, VXQ4, VZP9, VZS9, VZWE, VZX7, VZXZ
			-	-	1	-	-	1619385	QWA2, VD2, VEP9, VKB2, VKE4, VKX4, VNG1, VPE5, VPE9, VPX4, VPX9, VS49, VSD4, VTH4, VWC9, VWT4
	87516-Z4H-020	-	-	-	1	1	-----	SE1C, SE2C, SXS6
	87516-Z4H-010	-	-	-	1	-	1409984	EDS6, EDT6
2	87516-Z4H-800	MARK, OPERATOR CAUTION(FRENCH) (MADE IN THAI)	1	-	1	-	-	-----	HA2, LKE, LX2, LXE4, LXE8, LXQ4, LXU, PA2, PAE2, PXD8, PXE8, PXU, QA2, QA26, QAA2, QAA6, QAE2, QAE6, QAW, QC2, QDW9, QE, QHB4, QK4, QKA4, QME0, QNB2, QNE2, QNE6, QNE8, QNR2, QNR6, QTT, QWA2, QWA4, QWC4, QWT2, QXB7, QXB9, QXC4, QXC6, QXC9, QXE4, QXE6, QXE7, QXE8, QXE9, QXER, QXH9, QXQ4, QXS4, QXU, QXUZ, SCK4, SHQ4, SM32, SMC1, SMD3, SME0, SME6, SNC, STC4, SWA4, SXB7, SXB9, SXE4, SXE8, SXQ4, SXU, VA2, VAA1, VAA8, VAC2, VAG2, VC2, VC2N, VCN2, VD2, VDE2, VEP9, VK2, VKB2, VKE4, VKX4, VM2, VN27, VNG1, VPE5, VPE9, VPX4, VPX9, VS49, VSD4, VSD7, VSD9, VTH4, VWC, VWC9, VWE, VWT4, VX8, VXB7, VXB9, VXE2, VXE6, VXE7, VXE8, VXE9, VXG, VXQ4



E-40-3

OTHER PARTS(MARK)



Z5T0E4003D

Ref. No.	Part No.	Description	Reqd. QTY					Serial No.	Parts catalogue code
			GX 390 UT1	GX 390 UT2	GX 390 RT1	GX 390 RT2	GX 390 UT2X		
3	87516-Z4H-801	MARK, OPERATOR CAUTION(FRENCH) (MADE IN THAI)	1	-	1	-	-	1619385 -----	HA2, LKE, LXE4, LXE8, LXQ4, LXU, PA2, PAE2, PXD8, PXE8, PXU, QA2, QA26, QAA2, QAA6, QAE2, QAE6, QAW, QDW9, QHB4, QK4, QKA4, QNB2, QNE2, QNE6, QNR2, QNR6, QTT, QWA2, QWA4, QWC4, QWT2, QXB7, QXB9, QXC4, QXC9, QXE4, QXE6, QXE8, QXER, QXH9, QXQ4, QXS4, QXU, QXUZ, SCK4, SHQ4, SM32, SMC1, SMD3, SME0, SME6, SNC, STC4, SWA4, SXE4, SXE8, SXQ4, SXU, VAA1, VAA8, VAC2, VAG2, VC2, VC2N, VCN2, VD2, VDE2, VEP9, VK2, VKB2, VKE4, VKX4, VM2, VN27, VNG1, VPE5, VPE9, VPX4, VPX9, VSD4, VSD7, VSD9, VTH4, VWC, VWC9, VWE, VWT4, VX8, VXB7, VXB9, VXE6, VXE7, VXE8, VXE9, VXG, VXQ4
			1	-	-	-	-	-----	QA4, QAE4, QME2, QXCU, QXS2, SHQ2, SMC2, SWA2, VPX2
			-	1	-	1	1	-----	ED6, EDD2, EDS6, EDT6, EZD2, EZDM, EZDS, EZDV, HA2, LKE, LX2, LXE4, LXE5, LXE8, LXQ4, LXU, PA2, PAE2, PKT, PXD8, PXE8, PXM8, PXU, QA2, QA26, QA4, QAA2, QAA6, QAE2, QAE4, QAE6, QAGN, QC1, QC2, QC3, QC4, QC5, QC6, QC9, QCDW, QCE2, QCWT, QDW9, QE, QHB4, QK4, QKA4, QMAH, QME0, QNB2, QNE2, QNE8, QNGN, QNR2, QNR6, QNRV, QTT, QWA2, QWA4, QWC, QWC4, QWT2, QXAC, QXB7, QXB9, QXC4, QXC6, QXC9, QXCU, QXE4, QXE6, QXE7, QXE8, QXE9, QXEM, QXER, QXQ4, QXS4, QXU, QXUM, QXUZ, QZA2, QZAV, QZC, QZD, QZDS, QZHW, QZME, QZN2, QZND, QZNH, QZNR, QZRL, QZRV, QZX9, QZXR, SC1, SCC, SCK4, SCM, SCM1, SCM2, SCM3, SDQ5, SHQ4, SHQ5, SHQ6, SM32, SMC1, SMD3, SME0, SME6, SMSC, SMX2, SMXC, SNC, STC4, SWA4, SXB7, SXBG, SXE4, SXE8, SXEM, SXQ4, SXU, SZEC, VA2, VAA1, VAG2, VC2, VCT, VCT2, VDE2, VEP9, VK2, VKB2, VKE4, VKER, VKX4, VKXR, VM2, VN27, VPE5, VPE9, VPP9, VPX4, VPX9, VSB9, VSD4, VSD7, VSD9, VWC, VWC9, VWE, VWS, VWS1, VWT4, VX8, VXB7, VXB9, VXE2, VXE7, VXE8, VXE9, VXG, VXQ4, VXT, VZC2, VZP9, VZS9, VZWE, VZX7, VZX8, VZXZ
	87516-Z4H-802	-	-	-	1	1	-----	SCMV, SE1C, SE2C, SXS6, VCF, VXF



E-40-3

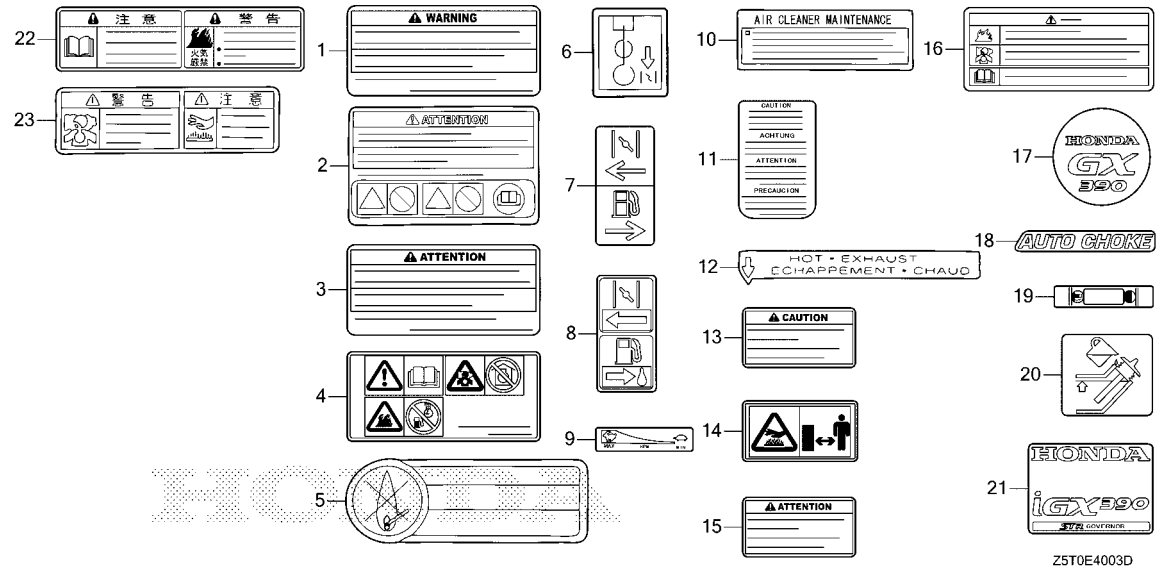
OTHER PARTS(MARK)

Ref. No.	Part No.	Description	Reqd. QTY					Serial No.	Parts catalogue code
			GX 390 UT1	GX 390 UT2	GX 390 RT1	GX 390 RT2	GX 390 UT2X		
4	87519-Z4H-000	MARK, OPERATOR CAUTION (PICTOGRAPH)	1	-	-	-	-	1619385	QME2, QXS2, SHQ2, SMC2, SWA2, VPX2 HA2, LXE8, LXU, PA2, PAE2, PXD8, PXE8, PXU, QA2, QA26, QAA2, QAA6 QAE2, QAE6, QAW, QDW9, QNE2, QNE6, QNR2, QNR6, QTT, QMT2, QXC9, QXE8 QXE8, QXER, QXU, QXUZ, SXE8, SXU, VC2N, VM2, VXE6, VXE8, VXG ED6, EDD2, EDS6, EDT6, EZD2, EZDM, EZDS, EZDV, HA2, LFU, LX2, LXE8 LXU, PA2, PAE2, PKT, PXD8, PXE8, PXM8, PXU, QA2, QA26, QAA2, QAA6 QAE2, QAE6, QAGN, QC2, QC9, QCDW, QCE2, QCWT, QDW9, QMAH, QNB2, QNE2 QNE8, QNGN, QNR2, QNR6, QNRV, QTT, QWA2, QWC, QWT2, QXC6, QXC9, QXE6 QXE8, QXEM, QXER, QXU, QXUM, QXUZ, QZA2, QZAV, QZME, QZN2, QZND QZNH, QZNR, QZXR, SCC, SCM, SCM3, SDQ5, SMX2, SMXC, SXE8, SXU, VA2 VAA1, VAG2, VC2, VCT, VCT2, VDE2, VEP9, VK2, VKB2, VM2, VPE9, VPP9 VPX9, VWC, VWC9, VWE, VWS, VWS1, VX8, VXE2, VXE8, VXG, VXT, VZC2 VZP9, VZWE, VZX8, VZXZ
	87519-Z4H-010	-	-	-	1	1	1619385	QNB2, QTT, QWA2, VAA1, VAA8, VAC2, VAG2, VC2, VCN2, VD2, VDE2, VEP9 VK2, VKB2, VPE9, VPX9, VWC, VWC9, VWE, VXG SCMV, SXS6, VCF, VXF
5	87522-883-660	MARK, CAUTION (ENGLISH/FRENCH/SPANISH)	1	-	1	1	-		ED6, EDD2, EDS6, EDT6, PXM8, SXS6, VC2, VC2N, VCF, VCT, VCT2, VWC VWE, VXF, VXG, VXT, VZC2, VZWE
6	87528-898-620	MARK, CHOKE	1	-	1	1	-		ED6, EDD2, EDS6, EDT6, SXS6, VC2, VC2N, VCF, VCT, VCT2, VEP9, VKE4 VKER, VKX4, VKXR, VPE5, VPE9, VPX2, VPX4, VPX9, VS49, VSD4, VTH4 VWC, VWE, VWS, VWS1, VXF, VXG, VXT
7	87528-Z4M-000	MARK, CHOKE	-	1	-	-	-		QC4, QC5
	87528-Z5T-000	-	1	-	-	-		QXS4
			-	1	-	-	-	3449538	QWA4
			-	1	-	-	-	3456308	QK4, SWA4
	87528-Z4M-000	-	1	-	-	-	3449539	QWA4
			-	1	-	-	-	3456309	QK4, SWA4
			-	-	-	-	1		QC5, QK4, SWA4
8	87528-ZH7-000	MARK, CHOKE(GRAY)	1	-	-	-	-		QK4, QWA4, QXS2, QXS4, SWA2, SWA4
9	87532-ZH7-000	MARK, THROTTLE INDICATION	1	-	-	-	-		QXS2, SWA2
			-	1	-	-	1		QC4, QC5, QWA4, QXS4, SWA4
10	87533-ZC0-630	MARK, AIR CLEANER(ENGLISH)	1	-	1	1	-		ED6, EDD2, EDS6, EDT6, EZD2, EZDM, EZDS, EZDV, SXS6, VC2, VC2N, VCF VCT, VCT2, VEP9, VKE4, VKER, VKX4, VKXR, VPE5, VPE9, VPP9, VPX2 VPX4, VPX9, VS49, VSD4, VTH4, VWC, VWE, VWS, VWS1, VXF, VXG, VXT VZC2, VZP9, VZWE
11	87534-ZE1-841	LABEL, AIR CLEANER CAUTION	1	-	-	-	-		QWA4, QXS2, QXS4
			-	1	-	-	-	1168122	QWA4, QXS4
12	87539-898-620	MARK, EX. CAUTION (ENGLISH/FRENCH)	1	-	1	1	-		ED6, EDD2, EDS6, EDT6, EZDM, EZDS, EZDV, SXS6, VC2, VC2N, VCF, VCT VCT2, VWC, VWE, VWS1, VXF, VXG, VXT, VZC2, VZWE
13	87539-Z0J-000	MARK, EX. CAUTION(ENGLISH)	1	-	1	-	-	1675952	LKE, LXE4, LXQ4, QHB4, QK4, QKA4, QWA4, QWC4, QXB7, QXB9, QXC4, QXE4 QXH9, QXQ4, QXS4, SCK4, SHQ4, SM32, SMC1, SMD3, SME0, SME6, SNC STC4, SWA4, SXE4, SXQ4, VN27, VNG1, VSD7, VSD9, VXB7, VXB9, VXE7 VXE9, VXQ4 QA4, QAE4, QXCU
			1	-	-	-	-		LFU, LKE, LXE4, LXE5, LXQ4, PXM8, QA4, QAE4, QAGN, QC1, QC3, QC4, QC5 QC6, QE, QHB4, QK4, QKA4, QMAH, QME0, QNB2, QNGN, QTT, QWA2, QWA4 QWC4, QXAC, QXB7, QXB9, QXC4, QXCU, QXE4, QXE7, QXE9, QXQ4, QXS4 QZC, QZD, QZDS, QZHW, QZRL, QZRV, QZX9, SC1, SCC, SCK4, SCM1, SDQ5 SE1C, SE2C, SHQ4, SHQ5, SHQ6, SM32, SMC1, SMD3, SME0, SME6, SMSC SNC, STC4, SWA4, SXB7, SXBG, SXE4, SXEM, SXQ4, SZEC, VAG2, VDE2, VK2 VKB2, VN27, VSB9, VSD7, VSD9, VWC9, VXB7, VXB9, VXE7, VXE9, VXQ4 VZS9, VZX7, VZXZ



E-40-3

OTHER PARTS(MARK)



Z5T0E4003D

Ref. No.	Part No.	Description	Reqd. QTY					Serial No.	Parts catalogue code
			GX 390 UT1	GX 390 UT2	GX 390 RT1	GX 390 RT2	GX 390 UT2X		
14	87539-20J-800	MARK, EX. CAUTION(PICTOGRAPH)	1	-	1	-	-	1593576 -----	HA2, LXE8, LXU, PA2, PAE2, PXD8, PXE8, PXU, QA2, QA26, QAA2, QAA6, QAE2, QAE6, QAW, QDW9, QNB2, QNE2, QNE6, QNR2, QNR6, QTT, QWA2, QWT2, QXC9, QXE6, QXE8, QXER, QXU, QXUZ, SXE8, SXU, VAC2, VAG2, VCN2, VD2, VDE2, VK2, VKB2, VM2, VWC9, VX8, VXE6, VXE8
			1	-	-	1	-	-----	QAGN, QME2, QNGN, QXS2, SHQ2, SMC2, SWA2
			-	1	-	-	-	-----	HA2, LFU, LX2, LXE8, LXU, PA2, PAE2, PKT, PXD8, PXE8, PXU, QA2, QA26, QAA2, QAA6, QAE2, QAE6, QC2, QC9, QCDW, QCE2, QCWT, QDW9, QNE2, QNE8, QNR2, QNR6, QNRV, QWC, QWT2, QXC6, QXC9, QXE6, QXE8, QXEM, QXER, QXU, QXUM, QXUZ, QZA2, QZAV, QZME, QZN2, QZND, QZNH, QZNR, QZXR, SCC, SCM, SCM1, SCM3, SMSC, SMX2, SMXC, SXE8, SXU, VA2, VM2, VX8, VXE2, VZX8
			-	1	-	-	-	1008217 -----	VXE8
			-	-	-	-	1	-----	HA2, LFU, LX2, LXE8, LXU, PA2, PAE2, PKT, PXD8, PXE8, PXU, QA2, QAA2, QAE2, QC9, QCDW, QCE2, QCWT, QNE2, QNR2, QNRV, QWC, QXE6, QXE8, QXEM, QXER, QXU, QXUM, QXUZ, QZA2, QZAV, QZN2, QZNR, QZXR, SCC, SCM, SCM1, SCM3, SCMV, SMX2, VX8, VXE2, VXE8, VZX8



E-40-3

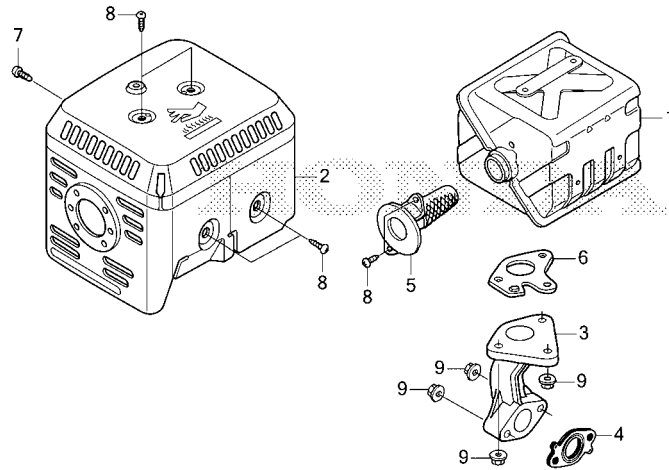
OTHER PARTS(MARK)

Ref. No.	Part No.	Description	Reqd. QTY					Serial No.	Parts catalogue code	
			GX 390 UT1	GX 390 UT2	GX 390 RT1	GX 390 RT2	GX 390 UT2X			
15	87539-Z0J-810	MARK, EX. CAUTION(FRENCH).....	1	-	-	-	-	-----	-----	QA4, QAE4, QME2, QXCU, QXS2, SHQ2, SMC2, SWA2
			1	-	-	-	-	1593576	-----	HA2, LKE, LXE4, LXE8, LXQ4, LXU, PA2, PAE2, PXD8, PXE8, PXU, QA2 QA26, QAA2, QAA6, QAE2, QAE6, QAW, QDW9, QKA4, QNE2, QNE6, QNR2 QNR6, QTT, QWA4, QWC4, QWT2, QXB7, QXB9, QXC4, QXC9, QXE4, QXE6 QXE8, QXER, QXH9, QXQ4, QXS4, QXU, QXUZ, SCK4, SHQ4, SM32, SMC1 SMD3, SME0, SME6, SNC, STC4, SWA4, SXE4, SXE8, SXQ4, SXU, VM2, VN27 VNG1, VPX9, VSD7, VSD9, VX8, VXB7, VXB9, VXE6, VXE7, VXE8, VXE9 VXQ4
			1	-	-	-	-	1618469	-----	QHB4, QK4
			-	1	-	1	1	-----	-----	HA2, LKE, LX2, LXE4, LXE5, LXE8, LXQ4, LXU, PA2, PAE2, PKT, PXD8 PXE8, PXM8, PXU, QA2, QA26, QA4, QAA2, QAA6, QAE2, QAE4, QAE6, QAGN QC1, QC2, QC3, QC4, QC5, QC6, QC9, QCDW, QCE2, QCWT, QDW9, QE, QHB4 QK4, QKA4, QMAH, QME0, QNB2, QNE2, QNE8, QNGN, QNR2, QNR6, QNRV, QTT QWA2, QWA4, QWC, QWC4, QWT2, QXAC, QXB7, QXB9, QXC4, QXC6, QXC9 QXCU, QXE4, QXE6, QXE7, QXE8, QXE9, QXEM, QXER, QXQ4, QXS4, QXU QXUM, QXUZ, QZA2, QZAV, QZC, QZD, QZDS, QZHW, QZME, QZN2, QZND, QZNH QZNR, QZRL, QZRV, QZX9, QZXR, SC1, SCC, SCK4, SCM, SCM1, SCM2, SCM3 SCMV, SDQ5, SE1C, SE2C, SHQ4, SHQ5, SHQ6, SM32, SMC1, SMD3, SME0 SME6, SMSC, SMX2, SMXC, SNC, STC4, SWA4, SXB7, SXBG, SXE4, SXE8 SXEM, SXQ4, SXU, SZEC, VA2, VAG2, VDE2, VK2, VKB2, VM2, VN27, VSB9 VSD7, VSD9, VWC9, VX8, VXB7, VXB9, VXE2, VXE7, VXE8, VXE9, VXQ4 VZS9, VZX7, VZX8, VZXZ
			-	-	1	-	-	1593576	-----	QNB2, QTT, QWA2, VAC2, VAG2, VCN2, VD2, VDE2, VK2, VKB2, VNG1, VWC9
16	87516-ZK6-800	MARK, OPERATOR CAUTION (CHINESE)	-	1	-	-	-	-----	-----	LXE5, QC9, QXEM, QXUM, SCM, SCM1, SMSC, SMXC
	87516-ZK6-801	-	1	-	-	-	1223356	-----	PXE8, PXU, QA2, QAA2, QXC9
	87516-ZK6-800	-	-	-	1	-	1296121	-----	SXS6
			-	-	-	1	-	1536308	-----	VWC, VWE
			-	-	-	1	-	-----	-----	EDS6, EDT6
			-	-	-	1	-	-----	-----	LXE5, PXE8, PXU, QA2, QAA2, QC9, QXEM, QXUM, SCM, SCM1
17	87521-Z5T-000	EMBLEM(HONDA GX390).....	-	-	-	1	-	-----	-----	VWS, VWS1
18	87528-Z2E-800	MARK, CHOKE.....	-	-	-	1	-	-----	-----	EZD2
19	87565-ZB4-A00	PLATE, FUEL INDICATION.....	-	-	-	1	-	-----	-----	ED6, EDD2, PXM8
20	87594-ZB4-A00	MARK, OIL CAUTION.....	-	-	1	1	-	-----	-----	VWC, VWE, VWS1
21	87602-ZBH-W00	MARK, SALES POINT.....	-	-	-	1	-	-----	-----	EZD2
22	87520-ZH8-000	MARK A, COMBINATION(JAPANESE)	-	1	-	-	1	-----	-----	LFU, QMAH, SCC, SE2C
23	87526-ZH8-000	MARK B, COMBINATION(JAPANESE)	-	1	-	-	1	-----	-----	LFU, QMAH, SCC, SE2C



E-40-4

OTHER PARTS(MUFFLER)(2)



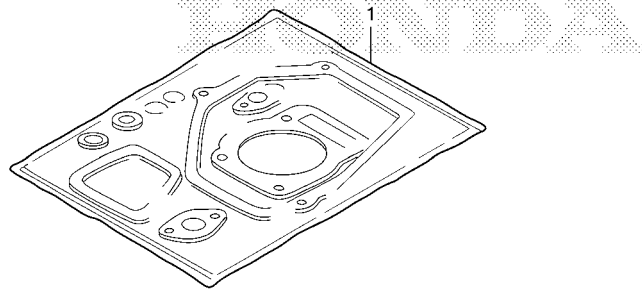
Z5T0E4004B

Ref. L.O.N. (Relative ref. Number) F.R.T.
No. Description

Ref. No.	Part No.	Description	Reqd. QTY					Serial No.	Parts catalogue code
			GX 390 UT1	GX 390 UT2	GX 390 RT1	GX 390 RT2	GX 390 UT2X		
1	18310-Z5T-010	MUFFLER COMP.	-	1	-	-	1	-----	LFU
2	18320-Z5T-000	PROTECTOR COMP., MUFFLER.....	-	1	-	-	1	-----	LFU
3	18331-Z5T-000	PIPE, EX.	-	1	-	-	1	-----	LFU
4	18333-Z1C-901	GASKET, EX. PIPE.....	-	1	-	-	-	-----	LFU
5	18350-Z5T-800	ARRESTER COMP., SPARK.....	-	1	-	-	1	-----	LFU
6	18381-Z8S-801	GASKET, MUFFLER(ARRESTER) (THAI LEAKLESS)	-	1	-	-	1	-----	LFU
	18381-ZE2-W10	GASKET, MUFFLER(ARRESTER) (NIPPON LEAKLESS)	-	1	-	-	1	-----	LFU
7	90006-ZE2-000	SCREW, TAPPING, 6X10.....	-	1	-	-	1	-----	LFU
8	90050-ZE1-000	SCREW, TAPPING, 5X8.....	-	6	-	-	6	-----	LFU
9	94050-08000	NUT, FLANGE, 8MM.....	-	5	-	-	5	-----	LFU

EOP-1

GASKET KIT



Z5T0X0100

Ref. L.O.N. (Relative ref. Number) F.R.T.
 No. Description

Ref. No.	Part No.	Description	Reqd. QTY					Serial No.	Parts catalogue code
			GX 390 UT1	GX 390 UT2	GX 390 RT1	GX 390 RT2	GX 390 UT2X		
1	06111-ZF6-R81	GASKET KIT.....	(1)	-	(1)	-	-	----- LX2,QNR2,QNR6,VDE2,VM2	



PART NO. INDEX

Part Number	Page	Ref.	Part Number	Page	Ref.	Part Number	Page	Ref.	Part Number	Page	Ref.	Part Number	Page	Ref.	Part Number	Page	Ref.
06000			12000-Z5T-Q21	69	17	13101-Z5T-000	91	2	14100-Z5T-820	96	2	15721-ZB4-000	57	13	16100-Z1C-V51	126	9
			12000-Z5T-Q40	68	17		92	2		97	2	15721-ZBH-W00	58	13	16100-Z5R-U71	143	8
06111-ZF6-R81	269	1	12000-Z5T-Q41	69	17		93	2	14100-Z5T-910	103	21				16100-Z5S-U31	143	8
06160-Z1C-305	149	56	12000-ZF6-416	61	1	13101-Z5T-800	93	2	14100-Z5T-911	103	21	16000			16100-Z5S-U32	143	8
	159	49	12000-ZF6-417	61	1	13101-ZF6-W00	91	2	14100-Z5T-920	103	21				16100-Z5T-741	143	8
06160-Z1C-325	149	56	12000-ZF6-435	61	1	13101-ZF6-W01	91	2	14100-Z5T-921	103	21	16010-Z1C-D21	142	1	16100-Z5T-781	127	9
			12200-Z1C-406	54	1	13102-Z5T-000	91	2	14100-ZF6-W01	96	2	16010-ZA0-921	142	1	16100-Z5T-801	126	9
11000			12200-ZF6-406	54	1		92	2	14100-ZK6-870	96	2		150	1	16100-Z5T-811	127	9
			12204-ZE2-306	55	2		93	2	14100-ZK6-880	96	2	16010-ZE2-812	122	1	16100-Z5T-901	127	9
11300-Z1C-000	70	1	12205-ZE2-305	55	3	13102-Z5T-800	92	2	14410-Z1C-000	97	3		150	1	16100-Z5T-911	127	9
	71	1	12209-ZE8-003	96	1	13102-ZF6-W00	91	2	14410-ZK6-880	103	18	16010-ZE3-701	142	1	16100-Z5T-921	127	9
11300-Z1C-010	71	1	12210-Z5T-406	54	1	13102-ZF6-W01	91	2	14431-ZE2-010	97	4		150	1	16100-Z5T-922	127	9
11300-Z1C-600	70	1	12210-Z5T-416	54	1	13103-Z5T-000	91	2	14441-ZE2-000	97	5	16011-ZA0-931	122	2	16100-Z5T-932	127	9
	71	1		55	1		92	2	14451-Z4M-000	97	6		142	2	16100-Z5T-P62	143	8
11300-Z1C-601	70	1	12216-ZE2-300	55	4		93	2		98	6		150	2	16100-Z5T-P72	127	9
	71	1	12251-Z1C-801	55	5	13103-Z5T-800	92	2	14451-ZE1-013	97	6	16013-Z1C-003	123	3	16100-Z5T-P81	127	9
11300-Z5T-W00	80	20	12251-Z5T-003	55	5	13103-ZF6-W00	91	2	14568-ZE1-000	99	7		142	3	16100-Z5T-P91	143	8
11300-Z5T-W10	80	20	12251-ZF6-W00	55	5	13103-ZF6-W01	91	2	14711-Z5T-000	99	8		150	3	16100-Z5T-U31	143	8
11300-Z8W-800	70	1	12310-Z5T-000	56	6	13104-Z5T-000	91	2	14711-Z5T-900	99	8	16013-ZA0-931	123	3	16100-Z5T-U42	143	8
	71	1	12310-ZE2-020	55	6		92	2	14711-ZE3-000	99	8		142	3	16100-Z5T-U43	143	8
11300-Z8W-801	70	1		56	6		93	2	14721-Z5T-000	100	9	16015-Z5T-901	123	4	16100-Z5T-U44	143	8
	71	1	12310-ZE3-791	56	6	13104-Z5T-800	92	2	14721-Z5T-800	100	9		150	4	16100-Z5T-U71	143	8
11300-ZE3-614	81	1	12315-ZE3-840	57	13	13104-ZF6-W00	91	2	14721-Z5T-900	100	9	16015-ZA0-931	142	4	16100-Z5T-U82	143	8
11300-ZE3-615	81	1	12357-Z5T-010	57	13	13104-ZF6-W01	91	2	14721-ZE3-000	99	9		159	40	16100-Z5T-U83	143	8
11300-ZF6-W32	81	1	12357-Z5T-020	57	13	13111-Z5T-000	93	3	14751-Z1C-000	100	10	16015-ZE8-005	123	4	16100-Z5T-U84	143	8
11300-ZF6-W33	81	1		58	13	13111-ZF6-W00	93	3	14771-Z8S-000	101	11	16016-Z1E-V21	142	5	16100-Z5T-U85	143	8
11381-Z5T-000	71	2	12391-ZE2-020	56	7	13200-Z1C-000	93	4		101	12		143	5	16100-Z5T-U86	143	8
	81	2					94	4	14771-ZE2-000	101	11		150	5	16100-Z5T-U87	143	8
11381-ZE3-801	71	2	13000			13200-Z1C-305	93	4	14773-Z8S-000	101	12	16016-ZDF-V01	123	5	16100-Z5T-W01	151	10
	81	2					94	4	14773-ZE2-000	101	12		124	5	16100-Z5T-W02	151	10
11500-Z8T-610	250	1	13010-Z1C-800	88	1	13200-Z1C-900	93	4	14775-ZE2-010	101	13		125	5	16100-Z5T-W11	151	10
11500-Z8T-611	250	1	13010-Z5R-004	87	1		94	4	14781-ZE2-000	101	14	16016-ZH7-W01	123	5	16100-Z5T-WA1	127	9
11500-Z8T-612	250	1		89	1		95	4	14791-Z1D-000	101	15		124	5	16100-Z5T-WE1	143	8
11500-Z8T-640	250	1	13010-Z5T-003	87	1	13200-ZE3-315	93	4		102	15		142	5	16100-Z5T-WF1	143	8
11500-ZE3-611	250	1		89	1	13310-ZF6-D42	86	13	14791-ZE2-010	101	15		143	5	16100-Z5T-WG1	152	10
11521-ZE2-800	250	2	13011-Z1C-800	89	1	13310-ZF6-W11	83	1		102	15		150	5	16100-Z5T-WH1	152	10
			13011-Z5R-004	87	1	13310-ZF6-W12	83	1	14791-ZK6-880	103	19	16016-ZH8-W01	142	5	16100-ZB8-742	143	8
				89	1	13310-ZF6-W21	83	2					150	5	16100-ZB8-743	143	8
12000				90	1	13310-ZF6-W22	83	2	15000			16024-124-760	143	6	16100-ZB8-744	143	8
12000-Z1C-405	61	1	13011-Z5T-003	87	1	13310-ZF6-W32	86	11					151	6	16100-ZB8-831	127	9
12000-Z1C-406	61	1		89	1	13310-ZF6-W41	83	3	15510-ZE2-043	63	2		159	41	16100-ZB8-832	127	9
12000-Z1C-407	61	1		90	1	13310-ZF6-W42	83	3	15510-ZE2-053	63	2	16024-Z5T-901	125	6	16100-ZB8-851	127	9
12000-Z5T-405	61	1	13012-Z1C-800	89	1	13310-ZF6-W61	83	4	15600-735-003	73	4		151	6	16100-ZB8-W01	152	10
	62	1	13012-Z5R-004	88	1	13310-ZF6-W62	83	4		80	19	16024-ZE1-811	125	6	16100-ZB8-W11	152	10
	61	1		89	1		84	4	15600-Z0T-820	72	3	16028-Z5T-901	125	7	16100-ZB8-W12	152	10
12000-Z5T-406	61	1		90	1	13310-ZF6-W71	84	5		73	3		151	7	16100-ZB8-W13	152	10
12000-Z5T-407	61	1		88	1	13310-ZF6-W72	84	5		80	18	16028-Z7E-E61	143	7	16100-ZB8-WA1	143	8
	62	1	13012-Z5T-003	88	1	13310-ZK6-020	84	5		81	3		151	7	16100-ZB8-WD1	152	10
	61	1		89	1	13310-ZK6-602	83	1	15600-Z1C-000	73	4	16028-ZA0-931	143	7	16100-ZF6-V21	127	9
12000-Z5T-408	61	1		89	1	13310-ZK6-672	83	3		80	19		151	7	16110-Z5T-W01	152	11
12000-Z5T-415	62	1	13013-Z1C-800	89	1	13351-Z1C-900	84	6		81	4		125	7	16110-Z5T-W02	152	11
	63	1	13013-Z5R-004	88	1		85	6	15600-ZG4-003	72	3	16028-ZE0-005	125	7	16110-Z5T-W11	152	11
	61	1		89	1		85	6		80	18	16044-Z5T-901	126	8	16110-Z5T-W12	152	11
12000-Z5T-416	63	1		90	1	13351-ZE3-010	84	6		80	18	16044-Z5T-W01	151	8	16110-Z5T-W13	153	11
	61	1	13013-Z5T-003	88	1		85	6	15625-Z0T-800	73	5	16044-Z5T-W11	151	8	16110-Z5T-WG1	153	11
	62	1		89	1					74	5	16044-Z5T-W11	151	8	16110-Z5T-WH1	153	11
12000-Z5T-417	61	1		90	1					74	5	16044-Z8T-W01	151	8	16110-Z5T-WH1	153	11
	62	1		91	1					81	5	16044-ZBH-W11	151	8	16110-ZBH-W01	153	11
12000-Z5T-418	61	1		91	1					73	5	16044-ZE3-W20	126	8	16110-ZBH-W11	153	11
	62	1		92	2	14100-Z5T-810	96	2	15625-ZE1-003	74	5	16045-Z5T-W01	151	9	16110-ZBH-W12	153	11
12000-Z5T-Q20	68	17		93	2		97	2	15721-Z23-H60	57	13	16100-Z1C-V01	126	9	16110-ZBH-W13	153	11
	69	17		92	2												

PART NO. INDEX

Part Number	Page	Ref.	Part Number	Page	Ref.	Part Number	Page	Ref.	Part Number	Page	Ref.	Part Number	Page	Ref.	Part Number	Page	Ref.
16110-ZBH-WD1	153	11		144	13	16500-Z5T-930	239	24	16588-Z5T-000	239	32	17210-Z5T-W00	167	1	17238-ZE2-310	161	7
16111-Z1C-H22	153	12	16211-ZF6-D40	139	28	16500-Z5T-940	231	5	16590-ZE2-812	139	30	17210-ZE3-010	160	2		163	7
16111-Z5K-W21	153	12		144	13	16500-Z5T-950	231	5	16592-883-310	235	14		163	2		169	6
16111-Z5T-W01	153	12	16212-Z5T-000	133	17		232	5	16594-883-010	140	31		167	1		174	6
16112-Z5T-W01	154	13		149	54	16500-Z5T-P90	239	24		239	25	17211-899-000	165	1	17238-ZE7-710	173	10
16113-Z5T-W01	154	14		155	25	16500-Z5T-U40	239	31	16599-ZG1-M10	235	15		172	1	17238-ZG9-M00	173	9
16115-Z5T-W01	154	15	16220-ZA0-702	131	15	16500-ZE2-703	259	1	16610-ZE1-000	133	18	17211-ZBH-W00	172	1	17239-ZE1-000	161	8
16116-Z5T-W01	154	16		149	53	16501-Z5T-306	239	31	16610-ZE1-810	141	41	17212-Z5R-000	165	2		169	7
16117-Z5T-W01	154	17		155	26	16501-Z5T-307	232	6	16611-ZE2-711	145	26	17212-ZB4-003	165	2		215	17
16118-Z5T-W01	154	18	16221-Z5T-000	132	16	16510-ZE3-000	74	6	16611-ZE3-D21	145	26	17218-Z1C-780	174	2	17239-ZE3-840	163	8
16119-Z5T-W01	154	19		144	14		81	6	16612-Z5T-W01	155	28	17218-ZE3-000	160	3		174	7
16124-Z5T-W01	154	20		155	27	16511-ZE8-000	79	15	16613-893-000	145	27		163	3	17252-899-000	165	8
16124-ZE0-005	128	10	16221-Z8T-000	155	27		82	16	16615-893-000	145	28		167	2	17316-611-000	60	16
	143	9	16221-Z8T-800	155	27	16512-ZE3-000	79	16	16615-ZE2-810	140	32	17219-ZE3-840	163	4	17367-413-690	165	9
16141-Z0S-003	141	40	16221-ZF6-800	131	16		82	17	16617-890-010	141	42	17220-Z23-H60	172	2	17410-Z1C-780	174	8
	159	47		144	14	16513-ZE2-000	80	17	16646-Z5T-W01	155	29	17220-Z23-S30	172	2	17410-Z5T-020	169	8
16148-141-881	143	10	16223-ZE3-W00	132	17		82	18	16648-Z5T-W01	155	30	17220-Z5R-000	165	3	17410-Z5T-W00	169	8
16166-Z1C-D21	155	21		144	15	16531-Z0A-000	75	7	16731-ZE2-003	116	1	17220-ZB4-003	165	3	17410-ZE3-840	163	9
16166-Z5T-781	129	11	16230-ZE3-701	144	16		81	7	16755-Z5T-W00	219	1	17220-ZBH-W00	172	2	17410-ZE3-841	163	9
16166-Z5T-901	128	11	16230-ZE3-702	145	16	16541-ZE3-010	63	3	16854-ZH8-000	190	1	17222-Z23-F10	172	3	17410-ZH9-N00	161	9
	129	11		159	43	16550-ZE3-700	239	28		192	1	17222-Z23-H60	172	3	17417-Z5T-000	169	9
16166-Z5T-931	129	11	16260-ZE2-723	145	17	16551-ZE3-000	229	1		204	1	17222-ZC2-000	165	4		174	9
16166-Z5T-U41	143	11	16260-ZE3-D21	145	17	16555-ZE3-000	229	2		258	5	17223-Z23-000	172	4	17470-ZE3-842	163	10
	144	11	16260-ZE3-D22	145	17	16561-Z1C-830	230	3	16910-GB2-005	192	2	17223-Z23-H60	172	5	17475-ZE3-841	163	11
16166-Z5T-W01	155	21	16260-ZF6-U70	145	17	16561-ZBH-000	231	3	16910-Z4E-S21	192	2	17223-Z23-S30	172	5	17476-ZE3-841	163	12
16166-Z5T-W02	155	21	16261-ZE2-702	145	18	16561-ZE3-000	230	3	16910-ZBH-821	192	2		173	5	17500-Z5T-810ZB	204	3
16166-Z5T-W11	154	21	16262-ZE2-711	145	19	16561-ZE3-710	230	3	16910-ZE8-015	192	2	17223-ZBH-000	172	5	17500-Z5T-810ZC	204	3
	155	21	16263-ZA0-000	145	20		231	3	16950-ZB4-015	202	2		173	5	17500-Z5T-811ZB	204	3
16166-Z5T-WA1	129	11	16264-ZE2-701	145	21	16561-ZF6-T21	230	3		258	6	17223-ZBH-W00	172	5	17500-Z5T-811ZC	204	3
16166-Z5T-WC1	128	11	16265-ZE2-721	145	22		231	3	16952-ZB4-005	202	3	17223-ZBH-W01	172	5	17500-ZE3-813ZC	199	20
	129	11	16268-893-000	240	1	16561-ZF6-W32	230	3		258	7		173	5	17505-ZB2-003	202	7
16166-Z5T-WE1	143	11	16268-ZE2-721	145	23	16561-ZK6-D70	230	3	16953-ZE1-812	133	19	17228-Z5T-000	145	24	17505-ZE2-013	200	21
	144	11	16269-ZA0-800	145	24	16562-ZE2-700	231	4		156	31	17229-Z23-H60	173	6	17510-Z5T-000ZA	193	4
16166-Z5T-WF1	144	11		149	55	16562-ZE3-000	231	4	16954-ZE1-812	133	20	17229-ZBH-W00	173	6	17510-Z5T-000ZB	193	4
16166-Z5T-WG1	154	21	16271-ZE2-010	160	1	16562-ZE3-700	231	4		156	32	17230-Z1C-780	174	3	17510-Z5T-800ZA	193	4
	155	21		163	1	16570-ZE3-700	239	29	16955-ZE1-010	191	12	17230-ZE3-841	163	5	17510-Z5T-800ZB	193	4
16166-ZBH-W11	155	21	16400-ZE2-703	145	25	16570-ZE3-721	232	6		193	3	17231-899-000	165	5	17510-ZB4-000ZA	202	8
16166-ZF6-005	143	11	16400-ZE2-704	145	25	16570-ZE3-W00	231	5		204	2	17231-Z23-H60	173	7	17510-ZB4-000ZC	202	8
16166-ZF6-V00	128	11	16500-Z1C-R60	239	24	16570-ZE3-W10	239	24	16956-ZE1-811	134	21	17231-Z5T-000	168	3	17510-ZC2-000ZJ	202	8
16166-ZF6-W10	128	11	16500-Z5T-000	231	5	16570-ZE3-W20	231	5		156	33	17231-ZBH-000	173	7	17510-ZE3-020ZA	258	2
16166-ZF6-W20	128	11	16500-Z5T-305	231	5	16570-ZE3-W30	231	5	16957-ZE1-812	134	22	17231-ZBH-W01	173	7	17510-ZE3-020ZB	258	2
16172-ZE3-W10	130	12	16500-Z5T-306	239	24	16570-ZE3-W40	239	24		156	34	17231-ZE3-W01	161	4	17510-ZE3-030ZA	193	4
	144	12	16500-Z5T-307	231	5	16570-ZK3-720	231	5	16958-397-771	202	4	17232-891-000	161	5		258	2
16173-001-004	131	13	16500-Z5T-308	231	5	16570-ZK3-870	231	5		258	8		163	6	17510-ZE3-030ZB	193	4
	155	22	16500-Z5T-309	231	5	16570-ZK3-D21	232	6	16959-471-831	202	5		168	4		258	2
	202	1	16500-Z5T-406	239	24	16571-Z1C-R60	239	37		258	9		174	4	17510-ZE3-030ZE	193	4
	258	4	16500-Z5T-407	231	5	16571-ZE3-W00	232	7	16959-Z5T-901	140	39	17232-898-000	166	12	17510-ZE3-801ZA	193	4
16176-Z2G-D51	159	42	16500-Z5T-408	239	29	16571-ZE3-W10	232	7		156	35	17233-896-701	175	1	17510-ZE3-801ZB	193	4
16178-ZJ0-911	155	23	16500-Z5T-409	239	29	16574-ZE1-000	233	8	16960-YA0-015	205	13		189	17	17510-ZE3-801ZC	193	4
	159	48	16500-Z5T-800	239	24	16575-ZE2-W00	233	9	16967-GA6-671	202	6	17233-Z1C-780	174	5	17510-ZK6-881ZA	193	4
16199-ZA0-930	149	50	16500-Z5T-810	231	5	16576-891-000	139	29		258	10	17233-Z23-H60	173	8	17510-ZK6-881ZB	193	4
16210-ZBH-700	140	38		232	5		233	10	16967-ZE0-811	135	23	17233-ZBH-W00	173	8	17510-ZK6-881ZC	193	4
16211-Z5T-000	131	14	16500-Z5T-830	239	24	16578-ZE1-000	233	11		156	36	17235-899-000	165	6	17532-ZK6-880	193	5
	144	13	16500-Z5T-840	231	5	16580-Z5T-000	234	12	16981-ZE2-P50	233	11	17235-Z5R-800	161	6	17532-ZK6-881	193	5
16211-Z5T-W00	155	24	16500-Z5T-850	231	5	16580-Z5T-850	234	12		239	36	17235-Z5T-000	168	5		194	5
16211-Z8T-W00	155	24	16500-Z5T-860	239	31	16580-Z5T-920	234	12				17235-Z5T-800	169	5	17534-ZK6-880	194	6
16211-ZBH-700	139	28	16500-Z5T-870	232	6	16581-ZE3-W00	234	12	17000			17235-ZH9-N01	161	6	17534-ZK6-881	194	6
	144	13	16500-Z5T-880	239	29	16582-889-U20	261	46				17236-899-000	165	7	17536-ZK6-880	194	7
16211-ZF6-000	131	14	16500-Z5T-890	239	29	16584-883-300	235	13	17210-Z1C-781	174	1	17238-ZBH-W00	173	9	17620-899-013	202	9



PART NO. INDEX

Part Number	Page	Ref.	Part Number	Page	Ref.	Part Number	Page	Ref.	Part Number	Page	Ref.	Part Number	Page	Ref.
17620-899-800	202	9	18310-Z8W-V61	186	1	18355-ZE3-010	188	8	22000			28443-ZE2-W01	109	7
17620-Z0T-305	194	8	18310-Z8W-V62	186	1	18381-Z1C-801	179	10				31110-Z1C-W00	208	14
17620-Z0T-813	190	2	18310-ZB8-003	262	1		180	10	22103-ZE3-610	250	3	31110-Z5T-000	207	4
17620-Z4H-010	191	10	18310-ZB8-013	262	1		188	9	22103-ZE3-640	250	3	31110-Z5T-810	207	9
	197	18	18310-ZD1-E32	187	12	18381-Z8S-801	179	9				31110-Z5T-820	207	5
17620-Z4H-020	191	10	18310-ZE2-U91	187	12		188	10				31110-Z5T-830	208	12
	197	18	18310-ZE2-V61	186	1		268	6	23000			31110-Z5T-840	208	10
	198	18	18310-ZE2-W61	175	2	18381-ZE2-800	179	10	23220-ZE3-610	250	4	31110-Z5T-860	208	10
	204	4	18310-ZK6-880	175	2	18381-ZE2-801	179	10	23220-ZE3-640	250	4	31110-Z5T-W41	208	13
17620-Z4H-030	198	18	18320-Z5T-000	183	34	18381-ZE2-W10	179	9	23411-Z1C-000	250	3	31200-Z5T-W01	227	3
	204	4		268	2		188	10	23710-ZE3-610	250	5	31203-PH9-004	227	4
17620-Z4H-900	197	18	18320-Z5T-800	183	34		268	6	23710-ZE3-640	250	5	31204-Z2E-003	227	5
	198	18	18320-ZC2-000	186	2	18430-ZF6-W50	183	32				31204-ZA0-003	222	1
	204	4	18320-ZE2-W61	176	3		188	11	28000			31206-ZE3-003	222	2
17620-Z4H-910	197	18	18320-ZE2-W62	176	3	18433-Z5T-000	180	11				31207-ZE3-003	222	3
	198	18	18320-ZE3-H01	188	2		189	18	28400-Z5T-003ZA	105	1	31207-ZE9-H01	227	6
	199	18	18320-ZF6-W02	176	3	18434-Z5T-000	180	12	28400-Z5T-003ZB	105	1	31208-Z5T-W00	227	7
	204	4	18323-Z5T-W41	176	4		189	19	28400-Z5T-003ZC	105	1	31208-ZE3-003	222	3
17620-Z4H-911	199	18		177	4	18436-ZH8-W41	180	13	28400-Z5T-013ZA	105	1	31209-PH9-004	227	8
	204	4	18323-ZE3-W40	176	4		189	20		106	1	31210-PH9-004	227	9
17620-Z4H-912	197	18	18325-ZB4-000	186	3	18437-Z5T-000	185	40	28400-Z5T-013ZB	105	1	31210-ZE3-013	223	4
17620-Z4H-920	199	18	18325-ZE3-H00	188	3		189	35		106	1	31210-ZE3-023	223	4
	204	4	18329-ZB4-000	186	4	18466-ZH8-W40	181	16	28400-Z5T-305ZA	105	1	31210-ZE3-033	223	4
17630-Z1C-003	200	21	18330-ZB8-003	262	2		189	23	28400-Z5T-305ZB	105	1	31211-PH9-004	227	10
17630-Z5T-003	204	5	18330-ZE2-000	188	4				28400-Z5T-306ZA	114	1	31211-PH9-004	227	10
17630-Z8V-003	202	7	18330-ZE2-W00	177	5	19000			28400-Z5T-306ZB	114	1	31211-ZE2-003	223	5
17631-899-000	202	10	18330-ZE3-700	186	5				28400-Z5T-N51ZA	105	1	31212-PH9-004	227	11
17631-Z0T-801	190	3	18330-ZE3-710	186	5	19511-ZE3-000	206	1		106	1	31212-ZE3-003	223	6
	199	19	18331-Z5T-000	177	5	19511-ZK6-880	206	1	28400-Z5T-N51ZB	105	1	31213-P64-N01	227	12
	204	6		268	3	19512-ZE2-000	207	8		106	1	31213-ZE2-003	223	7
17631-Z0T-812	194	9	18331-ZE3-810	177	6	19526-ZE3-H60	261	54	28400-Z5T-W02ZA	114	1	31214-PH9-004	227	13
17631-Z1T-800	199	19	18331-ZE3-811	177	6	19610-Z5T-000ZA	117	2	28400-Z5T-W02ZB	114	1	31215-ZE2-003	224	8
	204	6		188	5	19610-Z5T-000ZB	117	2	28400-Z5T-W03ZA	114	1	31217-Z0A-003	228	14
17631-Z4H-800	190	3	18333-Z1C-801	183	31	19610-Z5T-800ZA	117	2	28400-Z5T-W03ZB	114	1	31218-PH9-004	228	15
	199	19	18333-Z1C-901	177	7	19610-Z5T-800ZC	117	2	28400-ZE3-W01ZB	104	1	31218-ZE3-003	224	9
	202	11		178	7	19610-Z5T-810ZA	117	2		105	1	31219-Z5T-W00	228	16
17670-899-000	202	11		186	7	19610-Z5T-810ZB	117	2	28400-ZE3-W01ZD	104	1	31219-ZE2-003	224	10
17672-899-000	202	11		188	6	19610-Z5T-W00ZA	120	1	28400-ZE3-W01ZH	104	1	31219-ZE3-003	226	21
17672-Z4H-000	200	22		261	59	19610-Z5T-W00ZB	120	1		105	1	31220-PH9-004	228	17
	204	7		268	4	19610-ZE3-010ZB	116	2	28400-ZE3-W01ZP	104	1	31222-ZE3-791	224	11
17672-ZE2-W01	190	4	18333-ZB4-800	186	6	19610-ZE3-010ZG	116	2	28400-ZE3-W02ZA	104	1	31223-PA0-006	228	18
17701-Z5S-U32	200	23	18333-ZB4-801	186	6	19610-ZE3-010ZL	116	2	28400-ZE3-W02ZB	104	1	31231-PH9-004	228	19
17701-Z5S-U33	200	23		261	60	19610-ZE3-010ZM	116	2	28400-ZE3-W02ZH	104	1	31231-ZE2-003	225	12
17701-Z5S-U34	200	23	18333-ZB7-800	262	3	19610-ZE3-W02ZD	117	2	28410-Z5T-W02ZA	114	2	31232-ZE3-003	225	13
17850-ZD1-E30	240	2	18333-ZE3-800	183	31	19610-ZE3-W02ZE	117	2	28410-Z5T-W02ZB	114	2	31233-PH9-004	228	20
			18333-ZE3-801	183	31	19610-ZE3-W02ZF	116	2	28410-ZE3-W01ZB	107	2	31233-ZE2-003	225	14
			18333-ZF6-W01	177	7	19619-ZL8-300	120	2	28410-ZE3-W01ZE	107	2	31510-Z5T-W21	213	12
				178	7		185	38	28410-ZE3-W01ZH	107	2	31510-ZE1-811	213	12
18205-Z5T-000	176	4		186	7		189	33	28410-ZE3-W01ZP	106	2	31510-ZE3-003	213	12
18301-ZE2-V60	260	16		188	6	19620-Z5T-W10	239	31		107	2	31511-Z5T-W00	215	19
18310-Z1C-840	187	12		262	6	19620-ZE3-811	118	9	28411-Z5T-W01	114	3	31511-Z5T-W10	218	13
18310-Z1C-841	187	12	18333-ZK6-Y00	183	31	19630-Z5T-W00	239	34	28421-Z5T-W01	114	4	31511-ZE2-W00	217	3
18310-Z1C-842	187	12	18336-ZE3-000	183	35	19631-Z5T-000	117	3	28421-ZE3-W01	107	3	31511-ZE3-000	211	3
18310-Z5T-010	175	2		188	7		120	3	28422-ZE2-W01	107	4	31512-Z5T-W00	215	20
	268	1	18338-ZE2-V60	187	16	19631-ZE3-W00	117	3		115	5	31100-ZE3-701	207	4
18310-Z5T-V90	262	1	18350-Z5T-800	184	36	19632-ZBH-W00	239	35	28441-ZE2-W01	108	5	31100-ZE3-712	207	4
18310-Z8T-000	188	1		268	5					115	6	31100-ZE3-722	207	5
18310-Z8T-010	188	1	18355-ZB4-630	186	8				28442-ZE2-W01	109	6	31100-ZE3-U10	207	4
18310-Z8W-V60	186	1	18355-ZE2-W00	179	8					115	7	31100-ZE3-W01	207	4
										115	7	31100-ZE3-W21	207	5

PART NO. INDEX

Part Number	Page	Ref.	Part Number	Page	Ref.	Part Number	Page	Ref.	Part Number	Page	Ref.	Part Number	Page	Ref.
31610-Z5R-821ZA	241	1		215	15	34750-Z5T-V81	220	5	36000			87000		
31610-Z5R-821ZB	241	1		217	10		221	5				87539-898-620	265	12
31610-Z5S-802ZA	241	1	32110-Z5K-820	214	15	34750-Z5T-V91	220	5	36100-ZF6-P82	117	4	87117-Z2E-800	249	13
31610-Z5S-802ZB	241	1		218	16	34750-Z5T-W11	220	5	36101-ZE2-701	211	6		261	35
31610-Z5S-821ZA	241	1	32110-Z5T-000	214	15	34750-Z5T-W22	220	5		217	6	87117-Z5T-W00	261	36
31610-Z5S-821ZB	241	1	32110-Z5T-800	214	15	34750-Z5T-W23	220	5	36101-ZE3-800	211	6	87501-Z5T-W00	249	14
31610-Z5T-801ZA	241	1	32110-Z5T-810	214	15		221	5	36103-ZE1-000	117	5	87516-Z4H-000	252	1
31610-Z5T-802ZA	241	1		217	10	34750-Z5T-W32	221	5	36106-892-003	260	21		253	1
31610-Z5T-802ZB	241	1	32110-Z5T-U10	219	2	34750-Z5T-W41	220	5	36110-ZB4-702	260	22	87516-Z4H-010	252	1
31610-Z5T-802ZC	241	1	32110-Z5T-W00	219	2	34750-Z5T-W42	220	5	36135-ZF6-D41	145	29		253	1
31610-Z5T-811ZA	242	1	32110-Z5T-W01	219	2		221	5	36160-ZB4-013	240	3		256	22
31610-Z5T-811ZB	242	1	32110-Z5T-W11	219	2	34750-Z5T-W61	220	5	36170-ZB4-013	146	30		257	32
31610-Z5T-821ZA	241	1	32110-Z5T-W20	219	2	34750-Z5T-W62	220	5					263	1
31610-Z5T-821ZB	241	1	32110-Z5T-W21	219	2		221	5	37000			87516-Z4H-020	256	22
31610-Z5T-831ZA	242	1	32110-Z5T-W80	219	2	34750-Z5T-W71	220	5					257	32
31610-Z5T-831ZB	242	1	32110-Z5T-W81	219	2	34750-Z5T-W72	220	5	37150-Z5T-W01	249	11		263	1
31610-Z5T-841ZA	242	1	32110-Z5T-W90	219	2		221	5				87516-Z4H-800	263	2
31610-Z5T-841ZB	242	1	32110-ZBH-W00	219	2	34750-Z5T-W82	221	5				87516-Z4H-801	264	3
31610-Z5T-W00	248	1	32110-ZBH-W11	219	2	34750-Z5T-W91	220	5	38000			87516-Z4H-802	264	3
31610-Z5T-W10	248	1	32110-ZBH-W30	219	2	34750-Z5T-W92	221	5	38216-Z2E-003	249	12	87516-Z4H-810	252	1
31610-Z5T-W40	248	1	32110-ZE2-860	246	29	34750-ZBH-W51	220	5					253	1
31612-ZE2-003	242	2		259	5				38220-ZE1-000	260	23	87516-ZH7-810	252	1
31614-Z5T-W00	248	2	32110-ZE2-W00	246	28				38220-ZE2-R70	260	23		253	1
31614-Z5T-W10	248	2		261	56	35000			38240-VA3-900	244	12	87516-ZK6-800	267	16
31614-ZE2-003	242	3	32111-Z5T-W00	215	22	35100-766-013	261	43	38240-ZE2-840	244	12	87516-ZK6-801	267	16
31615-ZE3-003ZA	243	4	32115-Z5T-W00	215	23	35100-768-S01	261	43	38250-898-000	246	31	87519-Z4H-000	252	1
31615-ZE3-003ZD	243	4		218	17	35100-Z5T-811	243	10	38250-ZA8-701	244	13		253	1
31615-ZE3-003ZE	243	4	32127-738-700	243	6		259	8	38251-898-000	247	32		256	24
31620-ZG5-033	246	27		259	6	35100-Z5T-821	243	10	38252-898-000	247	33		257	33
	261	55			7		259	8	38253-898-000	247	34		265	4
31630-Z1C-003	217	5	32130-ZE1-000	260	18	35100-Z5T-831	244	10	38254-898-000	247	35	87519-Z4H-010	257	33
31630-Z5T-W01	213	12	32197-ZE1-003	243	7	35100-Z5T-841	243	10					265	4
31630-Z5T-W11	213	12	32197-ZH8-003	118	8	35100-Z5T-W01	248	8	39000			87520-ZH8-000	267	22
31630-Z5T-W21	218	15	32343-892-003	260	19	35100-Z5T-W11	248	8				87521-Z5T-000	255	14
31630-Z5T-W31	218	15	32346-Z5T-W00	248	6	35100-Z5T-W21	248	8	39700-Z5T-W01	249	28		267	17
31630-ZE1-013	211	5	32346-Z5T-W10	248	6	35100-Z5T-W41	248	8				87521-ZF6-W03	253	3
31630-ZE2-842	211	5	32612-Z5T-W00	248	7	35100-Z5T-W82	259	8				87521-ZF6-W04	255	14
31630-ZE2-861	213	13	32823-ZV5-003	219	3	35100-ZB4-023	260	20	50000			87522-883-660	265	5
31630-ZE2-W01	217	5	32824-ZV5-003	220	4	35100-ZE2-023	243	10				87526-ZH8-000	267	23
31630-ZF5-801	211	5		249	27	35100-ZE2-033	243	10	50319-ZB2-000	202	12	87528-898-620	265	6
31700-124-008	243	5	32902-892-003	243	8		259	8				87528-Z2E-800	256	26
	259	3				35100-ZE2-843	243	10	53000				257	31
31710-ZS9-A02	259	4	34000				259	8					267	18
31711-Z5T-W00	248	3				35100-ZE2-862	243	10	53149-964-003	146	31	87528-Z4M-000	257	34
31712-Z5T-W00	248	4	34150-ZH7-003	63	4	35100-ZE2-W01	243	10					265	7
31713-Z5T-W01	248	5		243	9	35110-736-612	261	44	68000			87528-Z5T-000	254	4
31750-Z0A-811	249	25	34150-ZH7-013	63	4	35110-Z5T-W01	248	9					265	7
31750-Z2E-803	249	25		243	9		259	9	68325-899-000	260	24	87528-Z5T-W00	257	36
			34750-Z5T-P11	220	5	35110-Z5T-W11	248	10	68325-ZB4-000	260	25	87528-ZH7-000	254	4
32000			34750-Z5T-U11	220	5		261	33	68325-ZC2-000	261	25		265	8
			34750-Z5T-U12	221	5	35111-880-013	244	11				87529-Z4S-820	244	14
32105-ZJ1-800	249	26	34750-Z5T-U21	220	5		259	9	76000			87529-Z4T-840	244	14
32106-Z5T-W00	249	26	34750-Z5T-U22	221	5	35115-768-S01	261	45				87531-Z5T-W00	256	27
32110-Z5K-000	214	15	34750-Z5T-U41	220	5	35120-Z0D-V81	119	11	76122-952-000	261	26	87532-ZH7-000	255	5
	215	15	34750-Z5T-V21	220	5	35120-Z5T-003	119	12					265	9
32110-Z5K-800	214	15	34750-Z5T-V41	220	5	35120-Z5T-W01	121	12	81000			87533-ZC0-630	265	10
	215	15	34750-Z5T-V51	220	5	35124-Z5T-000	121	13				87534-ZE1-841	255	7
	218	16	34750-Z5T-V61	220	5	35480-Z5T-W01	69	18	81329-567-020	118	6		265	11
32110-Z5K-810	214	15	34750-Z5T-V72	220	5	35480-ZF6-003	68	16				87535-ZE1-841	255	8



PART NO. INDEX

Part Number	Page	Ref.	Part Number	Page	Ref.	Part Number	Page	Ref.	Part Number	Page	Ref.	Part Number	Page	Ref.
90012-888-000	218	18	90201-ZE3-790	207	6	90851-898-000	202	14		196	14	94540-02010	147	42
90012-ZE0-010	102	16	90201-ZE3-V00	207	6	90854-ZB2-000	202	15		204	9	94540-04010	147	43
90013-883-000	63	5	90202-Z1T-000	237	19	90854-ZB3-000	173	13	91424-Z5T-013	191	6	94540-07010	147	44
	118	7	90202-Z2E-000	170	11		194	11		195	14			
	121	9	90203-ZA0-800	162	11		261	52		196	14	93891-04010-08	249	21
	181	18	90206-ZE1-000	103	17					197	14	93891-04012-08	249	29
	212	7	90300-Z4M-800	174	11	91000				205	9	93891-04020-07	221	7
	217	8	90301-782-000	182	24					205	14	93891-06020-07	183	27
	218	19		189	26	91001-ZF6-003	85	10	91424-Z9K-811	205	14		189	29
	236	16	90302-KF9-900	182	25	91001-ZF6-013	85	10	91424-Z9K-812	205	14	93892-05012-18	146	39
	240	4		189	27		86	10	91424-Z9K-832	196	14		159	44
	245	15	90325-044-000	162	12	91004-KZR-602	67	15	91424-ZBC-811	195	13	93892-05032-18	225	18
	249	16		164	15		78	13	91424-ZBC-812	205	15	93893-04020-08	249	22
	261	27		170	12		81	13		195	13	93893-05016-00	140	35
90014-Z5T-000	56	8		174	12	91006-MT3-003	250	10	91424-ZBG-V41	203	19	93901-12220	121	16
90014-ZE2-000	56	8	90380-MA6-010	245	16	91009-KJ1-003	81	10	91424-ZBG-V42	203	19	93913-24310	249	23
90014-ZE6-000	212	8	90380-MB2-000	249	17		250	6	91424-ZBH-801	195	13	93913-25580	121	11
	213	14	90401-Z5T-000	121	15	91102-GE0-003	81	14	91424-ZBH-802	195	13			
90015-883-000	213	9	90413-ZK6-880	103	20	91201-890-003	250	7	91424-ZBH-811	196	14	94000		
	217	9	90431-ZE2-700	146	33	91201-Z1C-003	64	8		203	19	94001-04390-0S	245	22
90015-Z5T-000	237	17	90432-ZE2-700	146	34		76	10	91424-ZBH-812	196	14	94001-08000-0S	262	5
90015-ZE5-010	236	17	90433-ZE2-700	146	35	91201-Z1D-003	250	7	91424-ZBH-821	196	14	94050-05000	165	10
90016-ZG9-N30	237	18	90434-ZE2-700	146	36	91201-Z7E-003	65	8	91424-ZBH-822	196	14	94050-06000	115	16
90017-883-000	213	14	90441-ZE2-010	57	10	91203-952-771	65	9	91424-ZBH-831	191	6			
90018-ZE1-000	121	14	90446-KE1-000	64	7	91203-Z7E-003	65	9	91424-ZBH-832	196	14			
90018-ZK6-P10	57	11	90473-842-000	85	8	91309-Z6L-000	69	20	91424-ZBH-851	159	45			
90022-888-010	215	26	90473-ZE3-010	85	8	91353-671-004	66	10		196	14	95002-41050-08	200	25
90029-888-000	69	19	90503-898-000	202	13		191	13	91424-ZBH-852	191	6	95002-50000	261	51
90042-ZE3-700	56	9	90534-706-010	85	8		195	12		196	14	95005-11105-30	57	13
90042-ZE8-000	56	9	90601-Z5T-W00	249	18	91406-ZB4-000	261	29	91541-S0A-003	215	27	95005-35130-10	147	47
90042-ZK6-D70	57	9	90601-ZE1-000	261	58	91406-ZE2-003	245	19		218	21	95701-06010-00	111	12
90047-ZE3-791	57	11	90601-ZE3-000	95	6	91424-Z4G-822	195	13		221	6			
90050-ZE1-000	181	19	90602-ZE1-000	75	8	91424-Z4J-802	203	19	91551-898-000	203	16	94050-08000	183	28
				81	8	91424-Z4J-803	203	19	91565-SEL-003	249	19		187	10
				141	43	91424-Z4J-812	196	14	91601-ZE2-003	225	17		188	16
				239	26	91424-Z4J-813	196	14					190	5
				215	16	91424-Z4J-822	196	14	92000				197	15
				245	17	91424-Z4K-801	195	13					205	10
				246	30	91424-Z4K-802	195	13	92101-08025-0A	85	7		260	12
				162	14	91424-Z5F-812	203	19	92101-08028-0A	262	4		262	5
				166	13	91424-Z5J-802	195	13	92900-08032-0E	57	11		268	9
				170	13	91424-Z5J-803	195	13					268	9
				146	37	91424-Z5L-801	190	6	93000				66	11
				119	14	91424-Z5L-802	159	45					225	19
				245	18		190	6	93500-03006-1H	135	24	94070-06080	225	19
				221	8		195	14		156	37	94070-08080	228	21
				213	10		196	14		245	23	94101-04800	245	23
				218	20		203	19				94101-06800	77	11
				75	9	91424-Z5L-812	196	14					81	11
				81	9	91424-Z5L-822	196	14					147	41
				85	9	91424-Z5R-802	190	6					183	29
				251	11		258	11					189	30
				85	9	90741-805-000	258	11					187	13
				251	11		258	11					77	11
				251	11	91424-Z5R-803	195	13					77	11
				207	7	91424-Z5S-802	195	13					81	11
				251	11	91424-Z5S-803	195	13					147	41
				207	7	91424-Z5S-804	195	13					183	29
				85	9	91424-Z5T-003	159	45					189	30
				251	11		190	6					187	13
				173	12		195	14					67	12
													67	12
													260	13
													245	24
													77	11
													81	11
													147	41
													183	29
													189	30
													187	13
													67	12
													260	13
													245	24
													67	13
													67	13
													250	8
													57	12
													135	25
													141	45

PART NO. INDEX

Part Number	Page	Ref.	Part Number	Page	Ref.	Part Number	Page	Ref.	Part Number	Page	Ref.	Part Number	Page	Ref.
96000			99101-ZH8-1000	136	26									
				137	26									
96100-62020-00	67	15		147	48									
	77	13		156	38									
	81	13		157	38									
96100-62040-00	82	14		158	38									
96100-62060-00	251	10	99101-ZH8-1020	136	26									
96100-62070-00	79	14		147	48									
	82	15		148	48									
96100-63020-00	250	6		156	38									
96205-04005	140	37		157	38									
				158	38									
98000			99101-ZH8-1050	136	26									
				137	26									
98079-55841	59	15		138	26									
98079-55846	59	15		147	48									
	60	15		148	48									
98079-55855	59	15		156	38									
	60	15		157	38									
98079-55876	59	15		158	38									
	60	15	99101-ZH8-1080	137	26									
98079-56855	59	15		138	26									
98079-56876	59	15		147	48									
98200-30500	246	25		148	48									
	260	14		157	38									
98200-31000	260	14		158	38									
98200-31500	246	25	99101-ZH8-1100	136	26									
	260	14		137	26									
98200-32500	246	25		147	48									
98200-40750	261	37		148	48									
98200-43000	249	24	99101-ZH8-1120	136	26									
	261	38		137	26									
				147	48									
				148	48									
99000			99101-ZH8-1150	136	26									
				137	26									
99101-ZH8-0880	135	26		138	26									
	156	38		147	48									
	157	38		148	48									
	158	38		148	48									
99101-ZH8-0900	135	26	99101-ZH8-1180	137	26									
	156	38	99204-ZA0-0400	139	27									
	157	38		148	49									
99101-ZH8-0920	135	26		149	49									
	136	26	99204-ZA0-0450	139	27									
	156	38		148	49									
	157	38		149	49									
	158	38	99204-ZE0-0380	139	27									
99101-ZH8-0950	136	26	99204-ZE0-0450	139	27									
	147	48		148	49									
	156	38		149	49									
	157	38		159	39									
	158	38	99204-ZE2-0380	158	39									
99101-ZH8-0980	136	26	99204-ZE2-0400	139	27									
	137	26		158	39									
	138	26		159	39									
	147	48	99204-ZE2-0450	159	39									
	156	38												
	157	38												
	158	38												



PART NAME INDEX

Part name	Page	Ref.	Part name	Page	Ref.	Part name	Page	Ref.
[A]			BOLT, FLANGE, 10X40	228	22	BOLT, PIVOT, 8MM	102	16
ALERT UNIT, OIL	63	4	BOLT, FLANGE, 10X80	58	14	BOLT, SPECIAL, 6MM	120	6
	243	9	BOLT, FLANGE, 5X18	173	11	BOLT, STUD	120	5
ARMATURE COMP.	222	2	BOLT, FLANGE, 6X10	111	12			
	228	14		112	12	BOLT, STUD, 8X106	56	9
ARM COMP., GOVERNOR	239	28		118	10	BOLT, STUD, 8X115	57	9
ARM, CHOKE	154	13		187	14	BOLT, STUD, 8X131.5	56	9
ARM, GOVERNOR	229	1		194	10	BOLT, STUD, 8X22	57	11
ARM, MANUAL START	151	9	BOLT, FLANGE, 6X12	261	30	BOLT, STUD, 8X25	57	11
ARM, VALVE ROCKER	97	4		63	5	BOLT, STUD, 8X32	57	11
ARRESTER COMP., SPARK	184	36		67	14	BOLT, THROUGH	227	13
	268	5		118	7	BOX ASSY., CONTROL	241	1
ARRESTER, SPARK	179	8		121	9		242	1
	186	8		181	18	BRACKET A, HARNESS	248	1
	188	8		187	14		215	23
				212	7		218	17
				217	8	BRACKET B, HARNESS	215	18
				218	19		218	12
[B]				236	16	BRACKET, CASE MOUNTING	242	3
BAND	243	8		240	4	BRACKET, CENTER	223	5
BARREL ASSY., CYLINDER	61	1		245	15	BRACKET, FR.	223	6
	62	1		249	16	BRACKET, SWITCH	121	13
	63	1		261	27	BRACKET, SWITCH BOX	248	2
	68	17	BOLT, FLANGE, 6X16	69	19	BRUSH	224	8
	69	17	BOLT, FLANGE, 6X20	215	26		227	10
BASE COMP., AIR CLEANER	172	5		261	31	BUSH, ARM PIVOT	146	31
	173	5	BOLT, FLANGE, 6X22	203	18	BUSH, CONTROL KNOB	260	21
BASE COMP., CONTROL	234	12	BOLT, FLANGE, 6X23	121	14			
BASE COMP., MUFFLER COVER	180	13	BOLT, FLANGE, 6X25	121	10	[C]		
	189	20	BOLT, FLANGE, 6X28	213	9	CABLE, STRAP	221	8
BEARING A	227	8		217	9	CAMSHAFT ASSY.	96	2
BEARING B	227	9	BOLT, FLANGE, 6X32	173	15		97	2
BEARING, RADIAL BALL, 6202	67	15		213	14	CAMSHAFT COMP.	103	21
	77	13	BOLT, FLANGE, 6X35	212	8	CAP ASSY., NOISE SUPPRESSOR	209	2
	78	13		213	14		210	2
	81	10	BOLT, FLANGE, 6X40	212	8		211	2
		13		213	8		211	2
	250	6			14		213	11
BEARING, RADIAL BALL, 6204	81	14		217	7		217	2
	82	14		218	18	CAP ASSY., OIL FILLER	72	3
BEARING, RADIAL BALL, 6206	250	10	BOLT, FLANGE, 8X16	187	15		73	3
	251	10	BOLT, FLANGE, 8X20	187	11			4
BEARING, RADIAL BALL, 6207	79	14		261	32		80	18
	82	15	BOLT, FLANGE, 8X25	85	7			19
BEARING, RADIAL BALL, 6207SH	85	10		86	12		81	3
	86	10		191	8			4
BEARING, RADIAL BALL, 6302	250	6		197	17	CAP COMP., FUEL FILLER	190	2
BOLT-WASHER, 5X14	225	15		205	12		191	10
BOLT-WASHER, 6X18	169	10	BOLT, FLANGE, 8X32	261	48		194	8
BOLT-WASHER, 6X22	161	10	BOLT, FLANGE, 8X35	226	20		197	18
	164	13	BOLT, FLANGE, 8X40	77	12		198	18
	169	10		81	12		199	18
	174	10		250	9		202	9
BOLT B, STUD	121	8	BOLT, FLANGE, 8X70	261	41		204	4
BOLT KIT, FUEL CHAMBER	149	56	BOLT, GOVERNOR ARM	236	17	CAP, CHOKE DUST	143	10
	159	49		237	17	CAP, LENS	247	33
BOLT, CONNECTING ROD	95	5	BOLT, HEAD COVER	56	8	CAP, MUFFLER	177	6
BOLT, DRAIN PLUG	261	57	BOLT, HEX., 8X25	85	7		188	5
BOLT, DRAIN PLUG, 12X15	63	6	BOLT, HEX., 8X28	262	4	CAP, PRE AIR CLEANER	163	11

PART NAME INDEX

Part name	Page	Ref.	Part name	Page	Ref.	Part name	Page	Ref.
CAP, SEALING	162	14	CLIP, SPECIAL	154	17	CONTROL ASSY.	239	24
	166	13			18			29
	170	13	CLIP, TUBE	116	1			31
	173	12		147	45	CONTROL UNIT, ELECTRONIC	220	5
CARBURETOR ASSY.	126	9		149	52		221	5
	127	9		191	7	CORD, CHARGE COIL	248	3
	143	8		261	49	CORD, EARTH	248	4
	151	10			50	CORD, STOP SWITCH	211	6
	152	10			51		217	6
CARBURETOR SET	152	11	CLIP, VALVE GUIDE	55	4	COUNTERSHAFT COMP.	250	4
	153	11	CLIP, WIRE	260	17	COUPLER COMP.	260	18
CASE COMP., AIR CLEANER	165	3	CLIP, WIRE HARNESS	146	37	COVER	227	12
	172	2	CLIP, WIRE HARNESS, 6MM	119	14	COVER ASSY., AIR CLEANER	174	3
CASE COMP., FUSE	260	23	CLUTCH COMP., OVERRUNNING	222	3	COVER ASSY., CRANKCASE	70	1
CASE COMP., MOTOR	155	29		223	3		71	1
CASE COMP., PRE AIR CLEANER	163	10		227	6		80	20
CASE COMP., RECOIL STARTER	106	2	COCK ASSY., FUEL	202	2		81	1
	107	2		205	13	COVER ASSY., FUSE	249	12
	114	2		258	6		261	34
CASE, CONTROL	242	2	COIL ASSY., CHARGE	211	5	COVER ASSY., GEAR CASE	250	1
CHAMBER SET, FLOAT	123	4		213	12	COVER COMP., AIR CLEANER	163	5
	142	4			13		165	5
	150	4		217	5	COVER COMP., FAN	116	2
	159	40		218	15		117	2
CHOKE SET	126	8	COIL ASSY., IGNITION	209	1		120	1
	151	8		215	28	COVER COMP., HEAD	55	6
CIRCLIP, 5MM	140	33		216	28		56	6
	141	43		217	1	COVER COMP., MUFFLER	180	11
	239	26			11		189	18
CLAMPER, CORD	211	3		218	11	COVER COMP., RR. MUFFLER	180	12
	215	19	COIL ASSY., LAMP	213	12		189	19
	217	3	COIL ASSY., POWER	211	5	COVER, AIR CLEANER	161	4
	218	13	COLLAR B, AIR CLEANER	161	8		173	7
CLAMP, TUBE	159	46		163	8	COVER, AIR CLEANER CASE	168	3
	191	9		169	7	COVER, CONTROL	248	7
	197	16		174	7	COVER, CYLINDER HEAD	56	6
	200	25		215	17	COVER, ELECTRONIC PARTS	120	4
	201	26	COLLAR SET, CLUTCH STOP	227	2	COVER, KEY	261	45
		27	COLLAR, 10X16X53	260	16	COVER, RECOIL STARTER	114	3
	203	20	COLLAR, AIR CLEANER	161	7	COVER, ROPE	115	13
	205	11		163	7	CRANKSHAFT COMP.	83	1
		16		169	6			2
	258	12		173	9			3
	261	53			10			4
CLIP A, AIR CLEANER WIRE	165	6		174	6		84	4
CLIP B, AIR CLEANER WIRE	165	7	COLLAR, AIR CLEANER CASE	175	1			5
CLIP, BREATHER TUBE	60	16		189	17		86	11
CLIP, COUPLER	249	19	COLLAR, FAN COVER	120	2			13
CLIP, GOVERNOR HOLDER	75	8		185	38	CUP, FUEL STRAINER	135	23
	81	8		189	33		156	36
CLIP, HARNESS	213	10	COLLAR, LEVER	146	36		202	6
	218	20	COLLAR, SETTING	130	12		258	10
CLIP, HARNESS BAND	215	27		144	12			
	218	21	COLLAR, STOPPER	235	15			
	221	6	COLLAR, TANK CUSHION	203	16			
CLIP, PISTON PIN, 20MM	95	6	CONTACTOR ASSY.	222	1	DEFLECTOR COMP., MUFFLER	183	32
CLIP, PURSE LOCK	215	16	CONTROL ASSY.	231	5		188	11
	245	17		232	5	DIAPHRAGM ASSY.	145	25
	246	30			6	DOWEL PIN, 12X20	57	12

[D]



PART NAME INDEX

Part name	Page	Ref.	Part name	Page	Ref.	Part name	Page	Ref.
DOWEL PIN, 8X12	75	9	FUSE, MINI	249	24	GUIDE, PRE AIR CLEANER	163	12
	81	9		261	37	GUIDE, PUSH ROD	101	15
DOWEL PIN, 8X14	250	8			38		102	15
							103	19
[E]			[G]			[H]		
ELBOW COMP., AIR CLEANER	161	9	GASKET KIT	269	1	HANDLE, BOX WRENCH	256	16
	163	9	GASKET SET	122	1	HARNES ASSY., ENGINE WIRE	214	15
	169	8		142	1		215	15
	174	8		150	1		217	10
ELEMENT COMP., AIR CLEANER	167	1	GASKET, CYLINDER HEAD	55	5		218	16
ELEMENT, AIR CLEANER	160	2	GASKET, EX. PIPE	177	7		219	2
	163	2		178	7	HARNES ASSY., SUB WIRE	246	28
	165	1		183	31			29
	167	1		186	6			26
	172	1			7			5
	174	1		188	6			249
EMBLEM	253	3		261	59			259
	255	14			60	HARNES, SUB WIRE	261	56
	267	17		262	3	HEAD COMP., CYLINDER	243	7
E-RING, 2MM	147	42			6		54	1
E-RING, 4MM	147	43			6		55	1
E-RING, 7MM	147	44	GASKET, MUFFLER	268	4	HOLDER, BRUSH	225	12
EXTENSION, OIL DRAIN	261	54		179	9		228	19
					10	HOLDER, CABLE	139	29
					10		141	42
					188		233	10
					10	HOLDER, CONNECTOR	215	22
FAN, COOLING	206	1		268	6	HOLDER, CONTROL CABLE	261	46
FILTER COMP., FUEL	202	11	GAUGE ASSY., FUEL	200	21	HOLDER, GOVERNOR WEIGHT	79	16
FILTER, CUP	140	39		204	5		82	17
	156	35	GEAR, DRIVE PINION	223	7	HOLDER, LENS	247	35
	202	5	GEAR, MIDDLE	153	12	HOLDER, STOP SWITCH CORD	117	5
	258	9	GEAR, PRIMARY DRIVE	250	3	HOLDER, WIRE	140	31
FILTER, DRAIN TUBE	165	9	GEAR, REDUCTION	224	11		239	25
FILTER, FUEL	190	4	GOVERNOR ASSY.	74	6	HOUSING COMP., DRIVE SIDE	227	7
	191	11		81	6			
	200	22	GRIP, REINFORCEMENT	113	14	[I]		
	202	11		115	12	INDICATOR ASSY.	249	11
	204	7	GRIP, STARTER	109	9	INSULATOR	225	14
FILTER, OUTER	160	3		110	9	INSULATOR ASSY., CARBURETOR	140	38
	163	3		112	13	INSULATOR, BRUSH HOLDER	228	20
	167	2		113	13	INSULATOR, CARBURETOR	131	14
	174	2		115	10		139	28
FLANGE COMP., BAFFLE	183	35	GROMMET, AIR CLEANER	161	5		144	13
	188	7		163	6		155	24
FLOAT SET	123	3		166	12	INSURATOR, CONTROL BASE	239	32
	142	3		168	4			
	150	3		174	4	[J]		
FLYWHEEL COMP.	207	4	GROMMET, CHOKE ROD	145	27	JET SET, PILOT, #38	139	27
		5	GROMMET, CONTROL BOX	249	18		158	39
		9	GROMMET, CORD	211	4	JET SET, PILOT, #40	139	27
	208	10		215	20		148	49
		11		217	4		149	49
		12		218	14		158	39
		13	GROMMET, DRAIN HOLE	118	6		159	39
		14	GROMMET, FENDER	146	32		139	27
FRAME COMP., COMMUTATOR END	228	16	GUIDE, CHOKE ROD	145	28	JET SET, PILOT, #45	139	27
FUSE, BLADE	246	25	GUIDE, EX. VALVE	55	3		148	49
	260	14	GUIDE, IN. VALVE	55	2			

PART NAME INDEX

Part name	Page	Ref.	Part name	Page	Ref.	Part name	Page	Ref.
JET SET, PILOT, #45	149	49	JET, MAIN, #98	136	26	MARK, CHOKE	254	4
	159	39		137	26		256	26
JET, MAIN, #100	136	26		138	26		257	31
	137	26		147	48			34
	147	48		156	38			36
	156	38		157	38		265	6
	157	38		158	38			7
	158	38	JOINT, FUEL TANK	191	12			8
JET, MAIN, #102	136	26		193	3		267	18
	147	48		204	2	MARK, CONTROL BOX	244	14
	148	48	JOINT, ROD	145	20	MARK, ENGINE SWITCH	249	14
	156	38				MARK, EX. CAUTION	256	25
	157	38	[K]				265	12
	158	38						13
JET, MAIN, #105	136	26	KEY ASSY., COMBINATION SWITCH	248	10		266	14
	137	26		261	33		267	15
	138	26			44	MARK, FUEL	257	28
	147	48	KEY COMP.	244	11	MARK, FUEL INDICATION	256	15
	148	48		248	9	MARK, OIL CAUTION	249	15
	156	38		259	9		255	13
	157	38	KEY, 6.3X6.3X43	85	9		267	20
	158	38		251	11	MARK, OPERATOR CAUTION	252	1
JET, MAIN, #108	137	26	KEY, 7X7X33	85	9		253	1
	138	26		251	11		256	22
	147	48	KEY, SPECIAL WOODRUFF, 25X18 .	207	7			24
	148	48	KNOB, COCK LEVER	260	19		257	32
	157	38						33
	158	38	[L]				263	1
JET, MAIN, #110	136	26						2
	137	26	LABEL, AIR CLEANER CAUTION ...	255	7		264	3
	147	48		265	11		265	4
	148	48	LABEL, FUSE	249	13		267	16
JET, MAIN, #112	136	26		261	35	MARK, SALES POINT	257	29
	137	26			36			30
	147	48	LENS	247	32			35
	148	48	LENS ASSY., PROTECTOR	244	13		267	21
JET, MAIN, #115	136	26		246	31	MARK, THROTTLE INDICATION	255	5
	137	26	LEVER COMP., CHOKE	133	18		265	9
	138	26		141	41	METER ASSY., FUEL	200	21
	147	48	LEVER COMP., THROTTLE	240	2		202	7
	148	48	LEVER, CHOKE	145	19	METER ASSY., HOUR	249	28
JET, MAIN, #118	137	26	LEVER, CHOKE CONTROL	154	14		261	39
JET, MAIN, #88	135	26	LEVER, COCK	133	19	MOTOR ASSY., STARTER	227	3
	156	38		156	31	MOTOR UNIT, STARTER	223	4
	157	38	LEVER, CONTROL	232	7	MUFFLER COMP.	175	2
	158	38		239	37		186	1
JET, MAIN, #90	135	26	LEVER, MANUAL START	155	28		187	12
	156	38	LEVER, PINION DRIVE	227	4		188	1
	157	38	LIFTER, VALVE	97	5		262	1
JET, MAIN, #92	135	26					268	1
	136	26	[M]					
	156	38				[N]		
	157	38	MARK	256	27			
	158	38	MARK A, COMBINATION	267	22	NOSE, SILENCER	161	6
JET, MAIN, #95	136	26	MARK B, COMBINATION	267	23		168	5
	147	48	MARK, AIR CLEANER	265	10		169	5
	156	38	MARK, AIR CLEANER SALES POINT	255	8	NOZZLE, MAIN	128	11
	157	38	MARK, CAUTION	265	5		129	11
	158	38					143	11



PART NAME INDEX

Part name	Page	Ref.	Part name	Page	Ref.	Part name	Page	Ref.
NOZZLE, MAIN	144	11	O-RING, 14MM	66	10	PISTON	91	2
	154	21		191	13		92	2
	155	21		195	12		93	2
NUT-WASHER, 6MM	225	19		204	8	PIVOT, ROCKER ARM	97	6
NUT-WASHER, 8MM	228	21	O-RING, 37.9X2.4	69	20		98	6
NUT, AIR CLEANER	174	11	O-RING, 4.8X1.9	155	23	PLATE	154	15
NUT, AIR CLEANER COVER	170	11		159	48	PLATE, COOLING FAN SETTING	207	8
NUT, FLANGE, 10MM	66	11	O-RING, 9.0X1.3	202	4	PLATE, FUEL INDICATION	267	19
NUT, FLANGE, 5MM	165	10		258	8	PLATE, LEVER SETTING	133	20
NUT, FLANGE, 6MM	115	16					156	32
	147	40	[P]			PLUG, CONE TYPE, 4X5	140	37
	162	13				PLUG, INNER CONNECTOR	219	3
	164	16	PACKING	225	17	PLUG, OIL DRAIN	259	10
	165	11	PACKING, AIR CLEANER	145	24	PLUG, OUTER CONNECTOR	220	4
	171	14		149	55		249	27
	173	14	PACKING, AIR CLEANER CASE	169	9	PLUG, SPARK	59	15
	174	13		174	9		60	15
	238	23	PACKING, AIR CLEANER COVER	163	4	PROTECTOR COMP., EX. PIPE	176	4
	260	15	PACKING, CARBURETOR	131	16	PROTECTOR COMP., FAN COVER	118	9
NUT, FLANGE, 8MM	183	28		132	16	PROTECTOR COMP., MUFFLER	176	3
	187	10		144	14		183	34
	188	16		155	27		268	2
	190	5	PACKING, CARBURETOR INSULATOR	133	17	PROTECTOR, CIRCUIT	244	12
	197	15		149	54	PROTECTOR, EX. PIPE	176	4
	205	10		155	25		177	4
	260	12	PACKING, CASE COVER	71	2	PROTECTOR, L. MUFFLER	188	3
	262	5		81	2	PROTECTOR, MUFFLER INNER	186	3
	268	9	PACKING, CHAIN CASE COVER	250	2	PROTECTOR, MUFFLER OUTER	186	2
NUT, HEX.	228	18	PACKING, CRANKCASE COVER	71	2	PROTECTOR, R. MUFFLER	188	2
NUT, HEX., 4MM	245	22		81	2	PULLEY COMP., STARTER	207	2
NUT, HEX., 5MM	182	25	PACKING, ELBOW	160	1	PULLEY, RECOIL STARTER	107	3
	189	27		163	1		114	4
NUT, HEX., 8MM	228	17	PACKING, FUEL COCK	134	22	PULLEY, STARTER	207	3
	262	5		156	34			
NUT, PIVOT ADJUSTING	103	17	PACKING, FUEL FILLER CAP	190	3	[R]		
NUT, PUSH	115	15		194	9	RATCHET, STARTER	107	4
NUT, SELF-LOCK, 6MM	237	19		199	19		115	5
NUT, SPECIAL, 16MM	207	6		202	10	RECTIFIER ASSY.	259	4
NUT, TANK MOUNTING	194	6		204	6	RECTIFIER ASSY., REGULATOR	246	26
NUT, TOOL BOX SETTING	162	12	PACKING, HEAD COVER	56	7		249	25
	164	15	PACKING, INSULATOR	132	17		259	2
	170	12		144	15		261	55
	174	12	PACKING, OIL FILLER CAP	73	5	RECTIFIER ASSY., SILICON	243	5
NUT, U, 6MM	182	24		74	5		259	3
	189	26		81	5	RECTIFIER COMP.	248	5
NUT, WING, 6MM	162	11	PANEL COMP., CONTROL	243	4	RETAINER, EX. VALVE SPRING	101	12
			PANEL, CONTROL	248	6	RETAINER, IN. VALVE SPRING	101	11
[O]			PIN, GOVERNOR WEIGHT	80	17		101	11
OIL SEAL, 30X46X8	250	7		82	18		101	12
OIL SEAL, 35X52X8	64	8	PIN, LOCK, 10MM	67	13	RETAINER, SPRING	109	8
	65	8	PIN, PISTON	93	3		115	9
	76	10	PIN, SPRING, 2X12	135	25	RING SET, PISTON	87	1
OIL SEAL, 8X14X5	65	9		141	45		88	1
O-RING	131	13	PIPE COMP., EX.	262	2		89	1
	155	22	PIPE, EX.	177	5		90	1
	202	1		186	5		91	1
	258	4		188	4	RING, SNAP	227	1
				268	3			

PART NAME INDEX

Part name	Page	Ref.	Part name	Page	Ref.	Part name	Page	Ref.
ROD ASSY., CONNECTING	93	4	SCREW SET, DRAIN	151	6	SEAL, AIR CLEANER CASE	173	6
	94	4		159	41	SEAL, AIR CLEANER COVER	173	8
	95	4	SCREW SET, PILOT	123	5		174	5
ROD COMP., PUSH	103	18		124	5	SEAL, CHOKE LEVER	146	34
ROD, CHOKE	145	21		142	5	SEAL, ELECTRONIC CONTROL UNIT		
ROD, CHOKE CONTROL	145	26		143	5	COVER	219	1
ROD, GOVERNOR	229	2	SCREW, CENTER	150	5	SEAL, MUFFLER PROTECTOR	186	4
ROD, PUSH	97	3		111	11	SEAL, VALVE STEM	96	1
ROPE, RECOIL STARTER	110	10		115	14	SEAT, VALVE SPRING	101	13
	115	11	SCREW, FLAT, 5X10	200	24	SEPARATOR, AIR CLEANER	165	2
ROTATOR, VALVE	101	14		203	17	SHAFT, GOVERNOR ARM	63	3
RUBBER A, TANK MOUNTING	193	5	SCREW, GLOVE BOX	261	28	SHAFT, P.T.O.	250	5
	194	5	SCREW, PAN, 3X12	245	20	SHROUD	117	3
RUBBER COMP., TANK MOUNTING ...	194	7	SCREW, PAN, 3X6	135	24		120	3
RUBBER, BOTTOM	260	24		156	37	SHROUD ASSY.	239	31
		25	SCREW, PAN, 4X12	245	21	SHROUD COMP., UPPER	239	34
	261	25	SCREW, PAN, 4X6	140	34	SHROUD, UPPER	239	35
RUBBER, FUEL	173	13		239	27	SLIDER, GOVERNOR	75	7
	194	11	SCREW, PAN, 4X8	141	44		81	7
	202	15	SCREW, PAN, 5X12	146	38	SOLENOID ASSY.	240	3
	261	52		261	47	SPACER COMP., CARBURETOR	131	15
RUBBER, SUPPORTER	190	1	SCREW, PAN, 5X16	237	20		149	53
	192	1	SCREW, PAN, 5X16.5	164	14		155	26
	204	1	SCREW, PAN, 5X32	238	21	SPACER, CONTROL LEVER	233	11
	258	5	SCREW, PAN, 5X35	239	30	SPACER, MUFFLER COVER	181	16
RUBBER, TANK CUSHION	202	14	SCREW, PAN, 5X45	238	22		189	23
RUBBER, TANK MOUNTING	202	12	SCREW, PAN, 5X8	240	5	SPRING, AIR CLEANER CASE LID ..	172	4
[S]			SCREW, RECESSED, 5X25	237	18	SPRING, BRUSH	227	11
SCREEN SET, FUEL STRAINER	202	3	SCREW, SPECIAL, 6X12	245	16	SPRING, BRUSH RETURN	224	10
	258	7	SCREW, SPECIAL, 6X8	249	17	SPRING, CABLE RETURN	235	14
SCREEN, FUEL STRAINER	159	42	SCREW, STOP	154	20	SPRING, CHOKE RETURN	240	1
SCREW-WASHER, 4X10	249	21	SCREW, TAPPING, 3X10	121	16	SPRING, COCK LEVER	134	21
SCREW-WASHER, 4X12	249	29	SCREW, TAPPING, 3X6	119	13		156	33
SCREW-WASHER, 4X14	226	21	SCREW, TAPPING, 4X14	249	23	SPRING, COIL	247	34
SCREW-WASHER, 4X20	221	7	SCREW, TAPPING, 4X14	181	20	SPRING, CONTROL ADJUSTING	235	13
	249	22	SCREW, TAPPING, 4X6	182	23	SPRING, FRICTION	108	5
SCREW-WASHER, 4X6	225	16		183	33		115	6
SCREW-WASHER, 4X8	249	22		188	14	SPRING, GOVERNOR	230	3
		16	SCREW, TAPPING, 4X8	187	9		231	3
		30	SCREW, TAPPING, 5X20	121	11	SPRING, LEVER	233	8
SCREW-WASHER, 5X12	146	39	SCREW, TAPPING, 5X25	182	22	SPRING, MANUAL CHOKE	145	23
	159	44		189	25	SPRING, RATCHET	109	7
SCREW-WASHER, 5X16	140	35	SCREW, TAPPING, 5X8	181	19		115	8
SCREW-WASHER, 5X32	225	18				SPRING, RETURN	140	32
SCREW-WASHER, 6X20	183	27				SPRING, STARTER RETURN	109	6
	189	29					115	7
SCREW SET	123	5		185	37	SPRING, THROTTLE RETURN	231	4
	124	5		187	9	SPRING, TORSION COIL	154	16
	125	5		188	12	SPRING, VALVE	100	10
		7			13	SPRING, WEIGHT RETURN	99	7
	142	5			24	STARTER ASSY., RECOIL	104	1
	143	5	SCREW, TAPPING, 6X10	268	8		105	1
		7		181	17		106	1
		7		268	7		114	1
	150	5	SCREW, TAPPING, 6X25	185	39	STAY ASSY., CHOKE CONTROL	139	30
	151	7		189	34	STAY ASSY., MANUAL CHOKE	145	17
	154	19	SCREW, THROTTLE STOP	128	10	STAY A, MUFFLER	187	16
SCREW SET, DRAIN	125	6		143	9	STAY COMP., AIR CLEANER	172	3
	143	6	SEAL, AIR CLEANER	165	8	STAY COMP., SOLENOID	145	18



PART NAME INDEX

Part name	Page	Ref.	Part name	Page	Ref.	Part name	Page	Ref.
STAY, AIR CLEANER	165	4	TUBE, FUEL, 4.5X120	195	13	WASHER, PLAIN	233	11
	172	3	TUBE, FUEL, 4.5X150	203	19		239	36
STAY, MUFFLER COVER	185	40	TUBE, FUEL, 4.5X165	203	19	WASHER, PLAIN, 4MM	245	23
	189	35	TUBE, FUEL, 4.5X180	195	13	WASHER, PLAIN, 5MM	147	41
STOPPER, CHOKE ROD	145	22	TUBE, FUEL, 4.5X190	203	19		183	29
STOPPER, DISCHARGE GUARD	261	26	TUBE, FUEL, 4.5X210	149	51		189	30
STRAINER COMP., FUEL	192	2	TUBE, FUEL, 4.5X235	159	45	WASHER, PLAIN, 6MM	77	11
STRAP, CABLE, 118MM	245	18		190	6		81	11
SUB HARNESS	118	8		191	6	WASHER, PLAIN, 8MM	187	13
SUSPENSION, COUPLER	243	6		195	14	WASHER, SPRING, 4MM	245	24
	259	6		196	14	WASHER, TANK CUSHION	202	13
		7		197	14	WASHER, THRUST, 16.1MM	103	20
SWITCH ASSY., COMBINATION	243	10		204	9	WASHER, THRUST, 2.7X8	146	35
	244	10		205	9	WEIGHT, BALANCER	84	6
	248	8	TUBE, FUEL, 4.5X250	195	13		85	6
	259	8	TUBE, FUEL, 4.5X260	190	6	WEIGHT, GOVERNOR	79	15
	260	20		258	11		82	16
	261	43	TUBE, FUEL, 4.5X300	149	51	WIRE, WATER COVER	225	13
SWITCH ASSY., ENGINE KILL	260	22		196	14	WRENCH COMP., SPARK PLUG	255	6
SWITCH ASSY., ENGINE STOP	117	4	TUBE, FUEL, 4.5X400	195	13	WRENCH, PLUG	255	6
	119	11	TUBE, FUEL, 4.5X430	196	14	WRENCH, SPARK PLUG	255	6
		12	TUBE, FUEL, 4.5X580	196	14			
	121	12	TUBE, FUEL, 4.5X700	203	19	[Y]		
SWITCH ASSY., MAGNET	227	5	TUBE, FUEL, 6.3X50	200	23	YOKE COMP.	224	9
SWITCH ASSY., OIL LEVEL	63	2					228	15
	68	16	[U]					
	69	18						
SWITCH, THERMO	259	1	U-RING	155	30			
[T]			[V]					
TANK ASSY., FUEL	199	20	VALVE ASSY., SOLENOID	144	16			
	204	3		145	16			
TANK COMP., FUEL	193	4		146	30			
	202	8		159	43			
	258	2	VALVE SET, FLOAT	122	2			
TUBE, 11X105	57	13		142	2			
TUBE, 3.5X130	147	47		150	2			
TUBE, 3.5X75	147	46	VALVE, DASHPOT CHECK	145	29			
TUBE, AIR VENT	149	50	VALVE, EX.	99	9			
TUBE, BREATHER	57	13		100	9			
	58	13	VALVE, IN.	99	8			
TUBE, CORD	261	29	[W]					
TUBE, FASTENER, 30MM	245	19	WASHER COMP., HEAD COVER	57	10			
TUBE, FUEL, 3.5X25	140	36	WASHER, 8MM	85	8			
TUBE, FUEL, 4.2X110	205	14	WASHER, 8.2X17X0.8	64	7			
TUBE, FUEL, 4.2X120	195	13	WASHER, 8.5X42X4.5	85	8			
	205	15	WASHER, CHOKE LEVER	146	33			
TUBE, FUEL, 4.2X165	196	14	WASHER, CONTROL LEVER	233	9			
	203	19	WASHER, DRAIN PLUG, 10.2MM	261	58			
TUBE, FUEL, 4.2X180	195	13	WASHER, DRAIN PLUG, 12MM	67	12			
TUBE, FUEL, 4.2X235	159	45		260	13			
	191	6	WASHER, ENGINE STOP SWITCH	121	15			
	196	14	WASHER, LOCK, 8.5X35X4.5	85	8			
TUBE, FUEL, 4.2X250	195	13	WASHER, PLAIN	141	40			
TUBE, FUEL, 4.2X260	191	6		159	47			
	196	14						
TUBE, FUEL, 4.2X300	196	14						
TUBE, FUEL, 4.2X580	196	14						

1

FOREWORD INDEX

2

ENGINE GROUP

3

PART NUMBER INDEX

4

PART NAME INDEX

HONDA