



SPARE PARTS MANUAL

Flextool Extension Shafts PX3 – PX6 – PX9

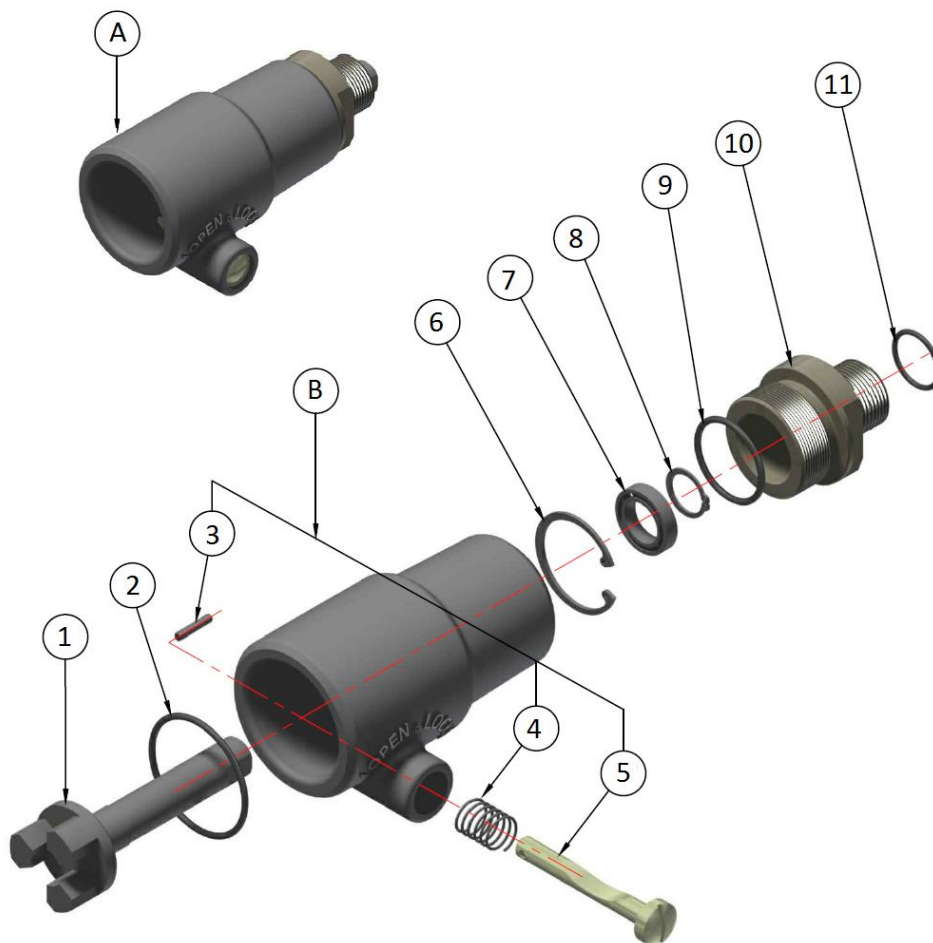


(All Models)

F02611 – F02304 – F02381

Applies to product from Serial Number 150000 to 189999

Coupling Assy - Extension (All Types)

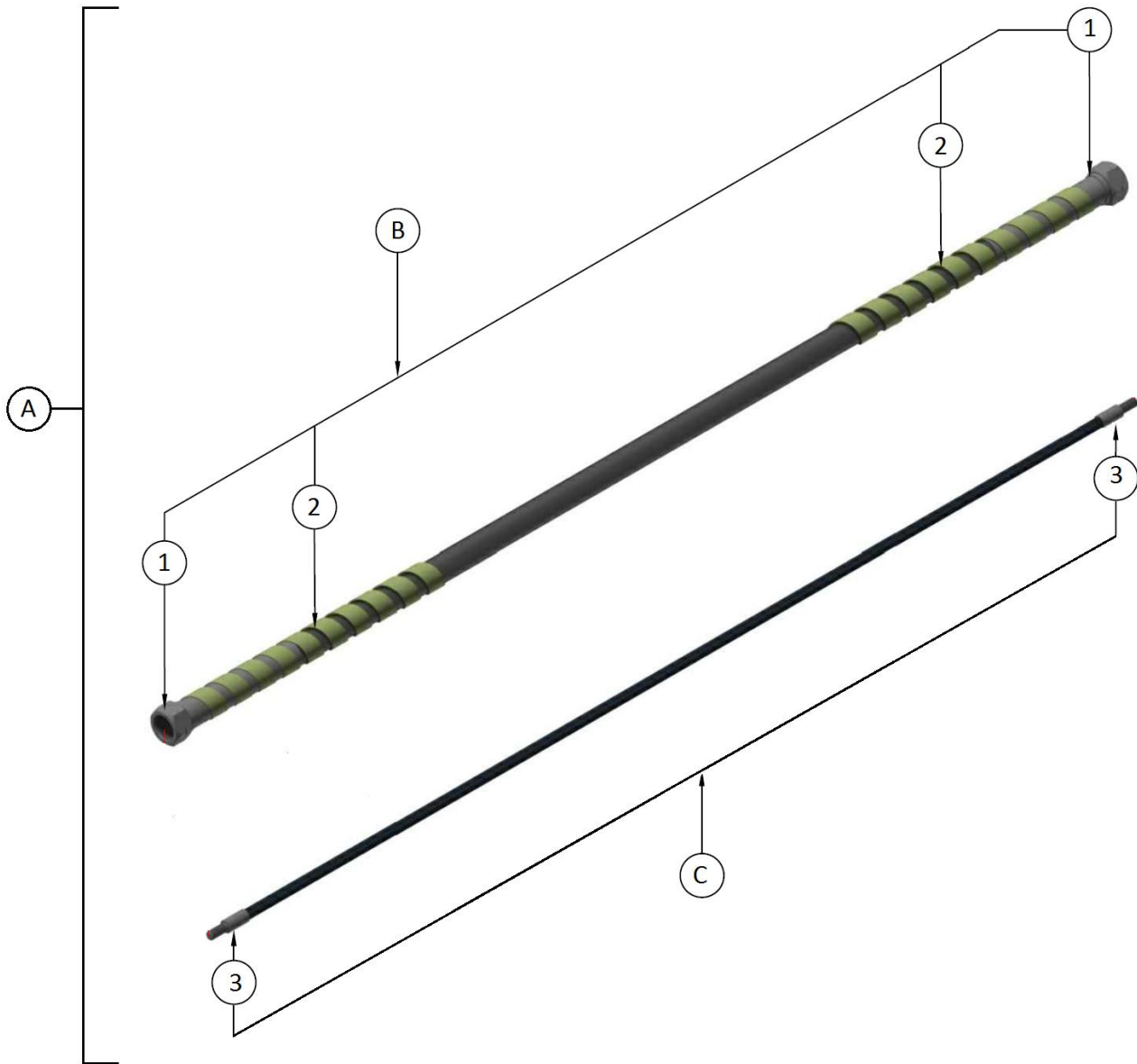


Item No.	Product Code	Description	Qty	Remarks
A	F06342	Coupling Assy – Extension #2P	1	(3-Tooth Australian Style)
B		Housing Assy – Extension #2P (F09800) (uses F06343)	1	Use F06346-SK (Service Kit)
1	F06345	Spindle Assy – Extension #2P	1	
2		O-Ring – 2.359" x 0.139" (F06518)	1	Use F06342-SK (Service Kit)
3		Pin – Rolled 5/32" x 3/4" (F04836)	1	Use F06346-SK (Service Kit)
4		Spring – Torsion – Modified (Clip Off Tails) (F04837)	1	Use F06346-SK (Service Kit)
5		Trigger (F06346)	1	Use F06346-SK (Service Kit)
6		Circlip – Internal – Diam 47mm (F04041)	1	Use F06342-SK (Service Kit)
7		Bearing – 20 x 47 x 14S (NSK 6204VCM) (F04311)	1	Use F06342-SK (Service Kit)
8		Circlip – External – Diam 20mm (F04504)	1	Use F06342-SK (Service Kit)
9		O-Ring – 1.687" x 0.139" (F06490)	1	Use F06342-SK (Service Kit)
10	F06131	Adaptor – Housing P212	1	
11	F07502	O-Ring – 1.049" x 0.103"	1	(Included in F06342-SK Service Kit)

Service Kit

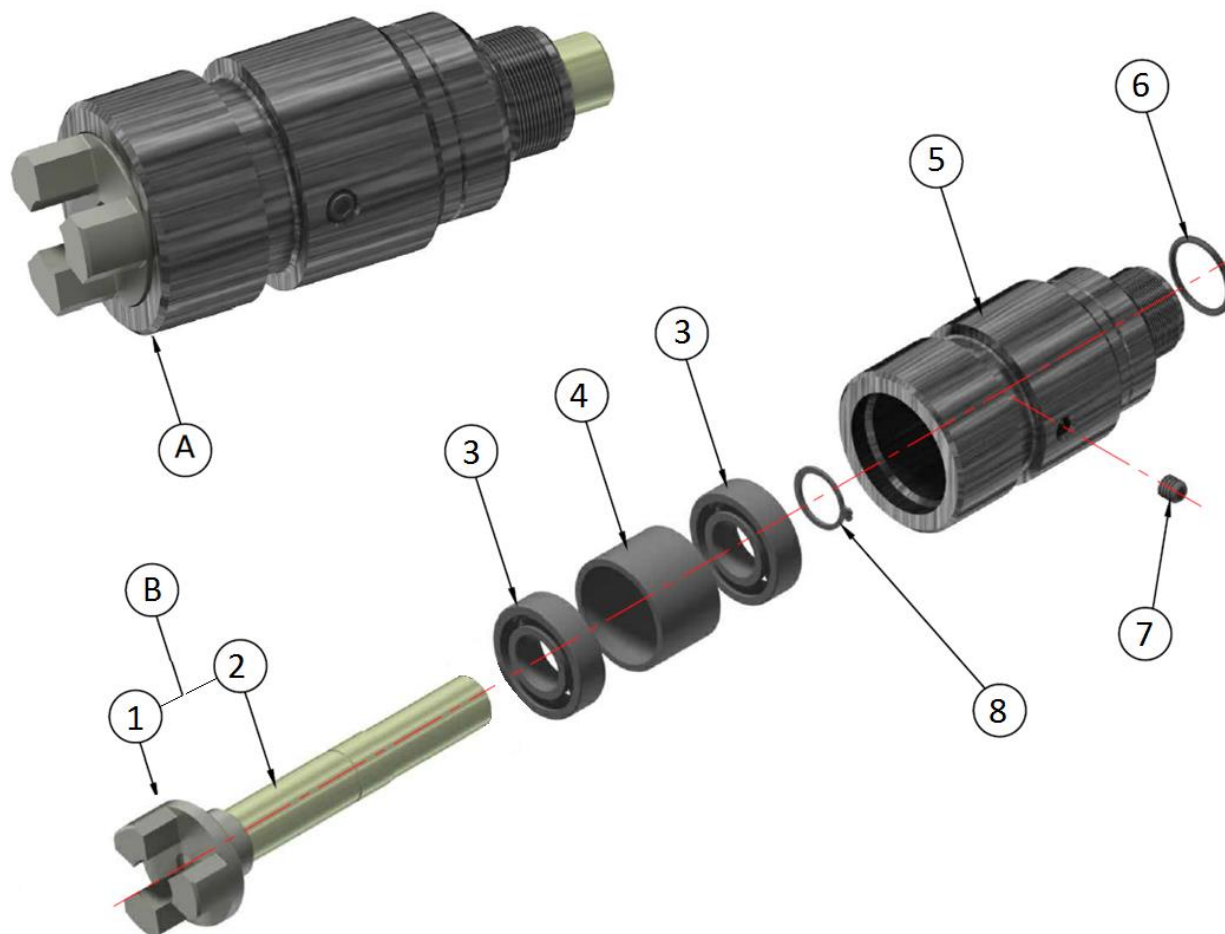
Item No.	Product Code	Description	Qty	Remarks
	F06346-SK	Service Kit – Ext Shaft Trigger	1	Includes items – 3,4,5
	F06342-SK	Service Kit – Ext Shaft Coupling	1	Includes items – 2,6,7,8,9,11

Flexshaft (All Types)



Item No.	Product Code	Description	Qty	Remarks
A	F02351	Flexshaft Assy - P212-3x32	1	Length 3m
	F01970	Flexshaft Assy - P212-6x32	1	Length 6m
	F02256	Flexshaft Assy - P212-9x32	1	Length 9m
B	F01859	Casing Assy - P212-3x32 (uses F02708)	1	Suits 3m Shaft Length
	F01835	Casing Assy - P212-6x32 (uses F02708)	1	Suits 6m Shaft Length
	F02257	Casing Assy - P212-9x32 (uses F02202)	1	Suits 9m Shaft Length
C	F08889	Inner Core Assy (uses F02847)	1	Suits 3m Shaft Length
	F04733	Inner Core Assy (uses F02847)	1	Suits 6m Shaft Length
	F07465	Inner Core Assy (uses F02852)	1	Suits 9m Shaft Length
1		Ferrule Assy (F06937)	2	Use F01859 or F01835 or F02257 (Item B)
2		Outer Spring (F01703)	2	Use F01859 or F01835 or F02257 (Item B)
3	F09065	Core End	2	

Coupling Assy (All Types)



Item No.	Product Code	Description	Qty	Remarks
A	F06572	Coupling Assy - #2P	1	
B	F06784	Spindle Assy - #2P	1	3-Tooth (Australian Style)
1		Drive Dog (F07920)	1	Use F06784 (Item B) 3-Tooth (Australian Style)
2		Spindle - #2P (F07918)	1	Use F06784 (Item B)
3		Bearing - 20 x 42 x 12mm (NSK 6004DDUCM) Sealed (F06765)	2	Use F08411 (Service Kit)
4	F06782	Spacer - #2 Coupling P212	1	
5		Housing - Coupling P212 (F06575)	1	Use F06572 (Item A)
6	F07502	O-Ring - 1.049" x 0.103"	1	(Included in F08411 Service Kit)
7	F04571	Grub Screw - 0.312" x 0.312" BSW	1	
8		Circlip - External - Diam 20mm (F04504)	1	Use F08411 (Service Kit)

Service Kit

Item No.	Product Code	Description	Qty	Remarks
	F08411	Service Kit - Coupling Assy	1	Includes items 3,6,8